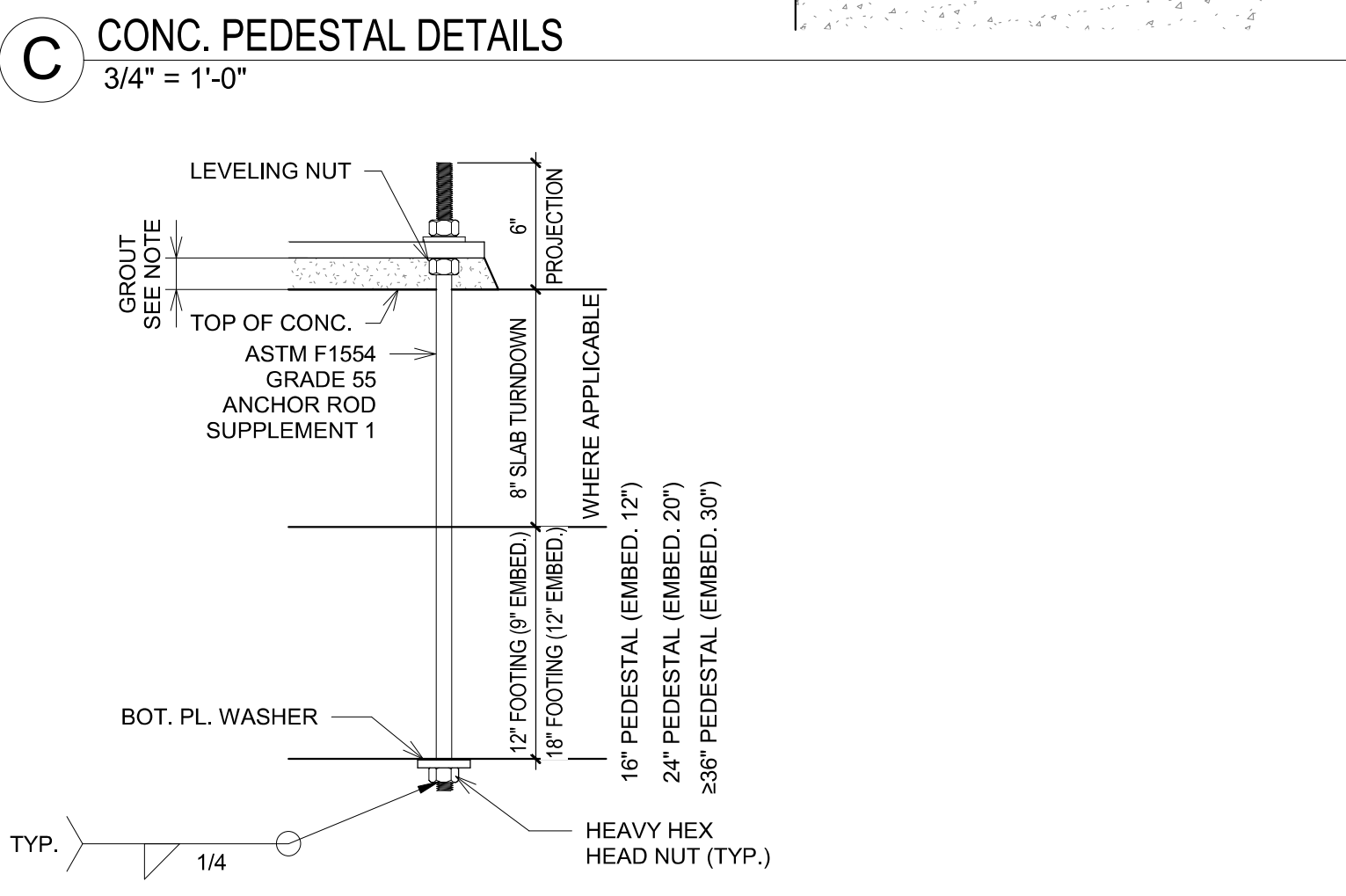
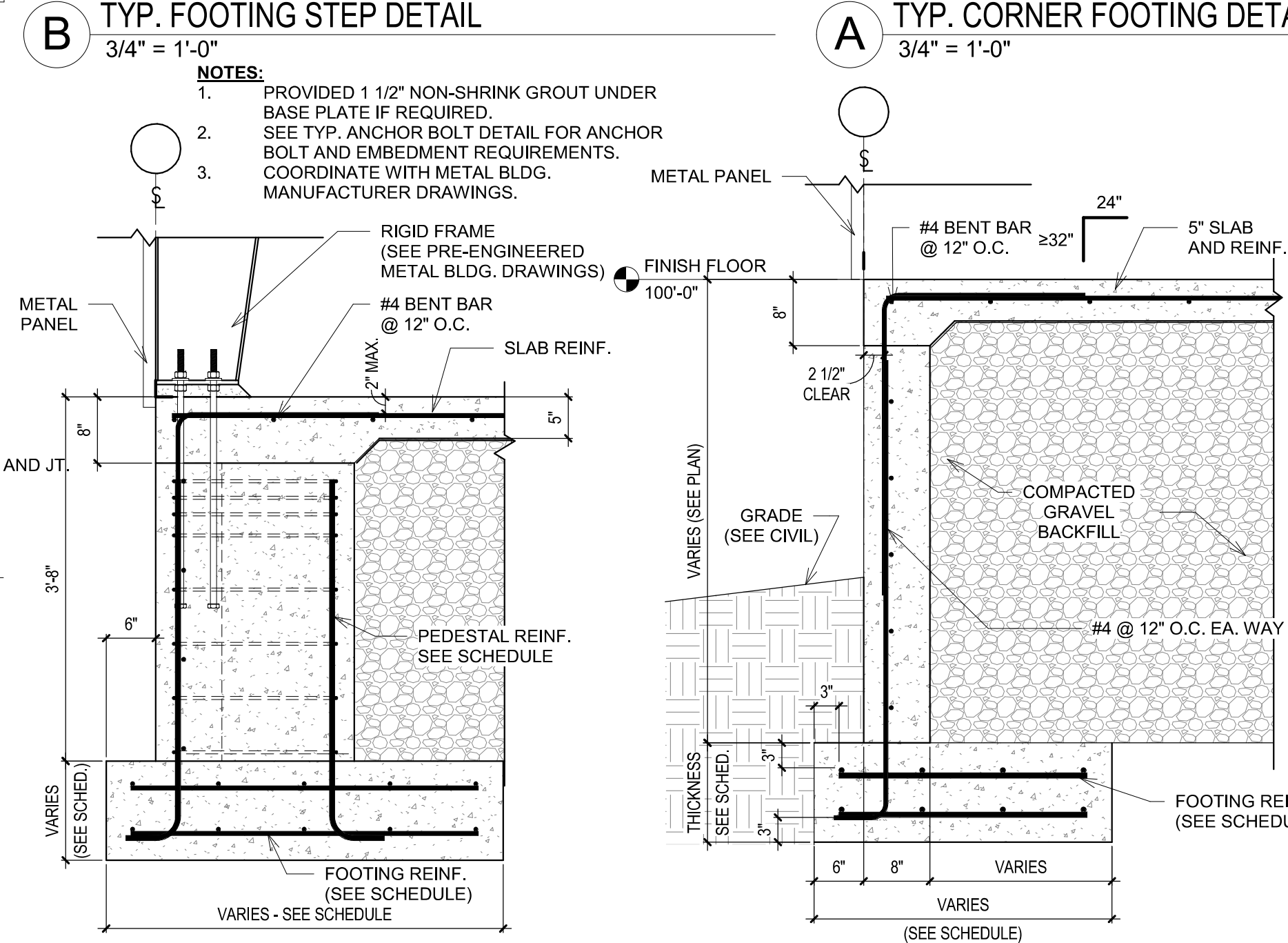
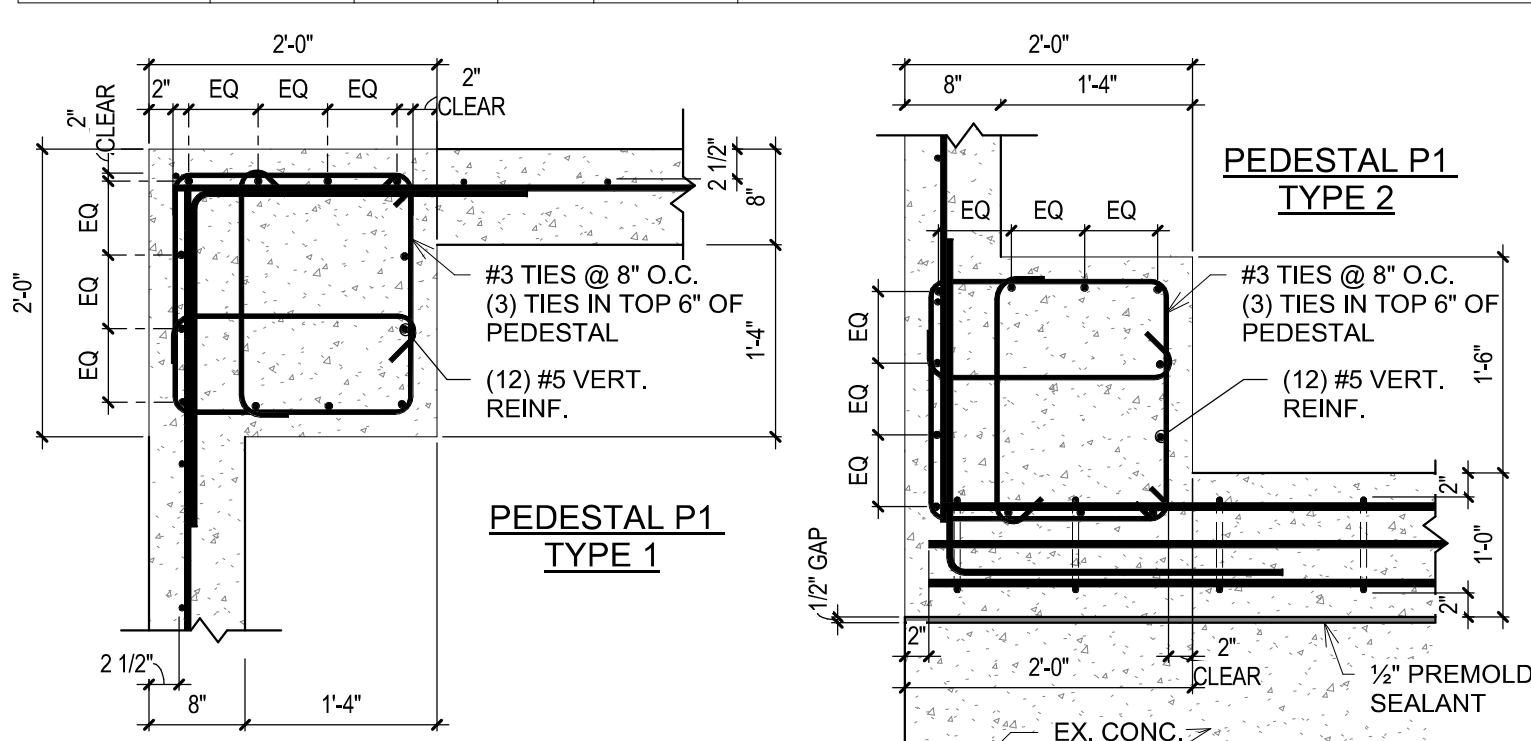
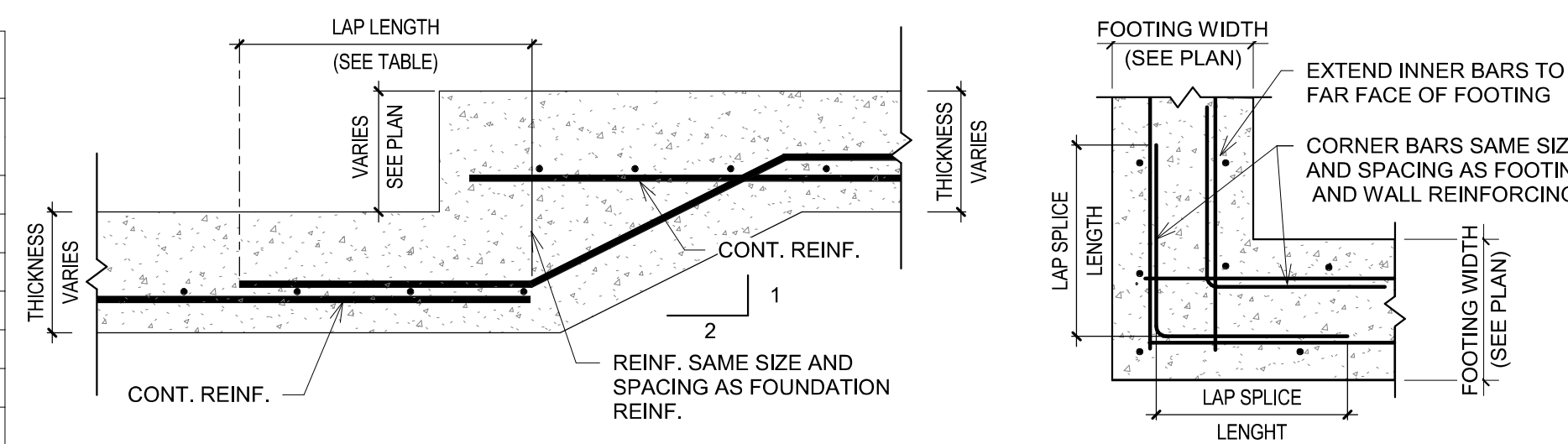


Autodesk Docs/CSE23068 HW Rogers PCF Phase2 SH Improv/406493-Maintenance Building-CSE.rvt 8/26/2024 10:03:22 AM TFL BUILDING FOUNDATION PLAN AND DETAILS © HAWKINS WEIR ENGINEERS, INC. 2024

PEDESTAL SCHEDULE								
PED. MARK	DIMENSIONS			VERTICAL REINF.		TIES		REMARKS
	LENGTH (IN)	WIDTH (IN)	T.O.P. ELEV.	NO	SIZE	SIZE	SP.	
P1	24"	24"	99'-4"	12	#5	#3	8	

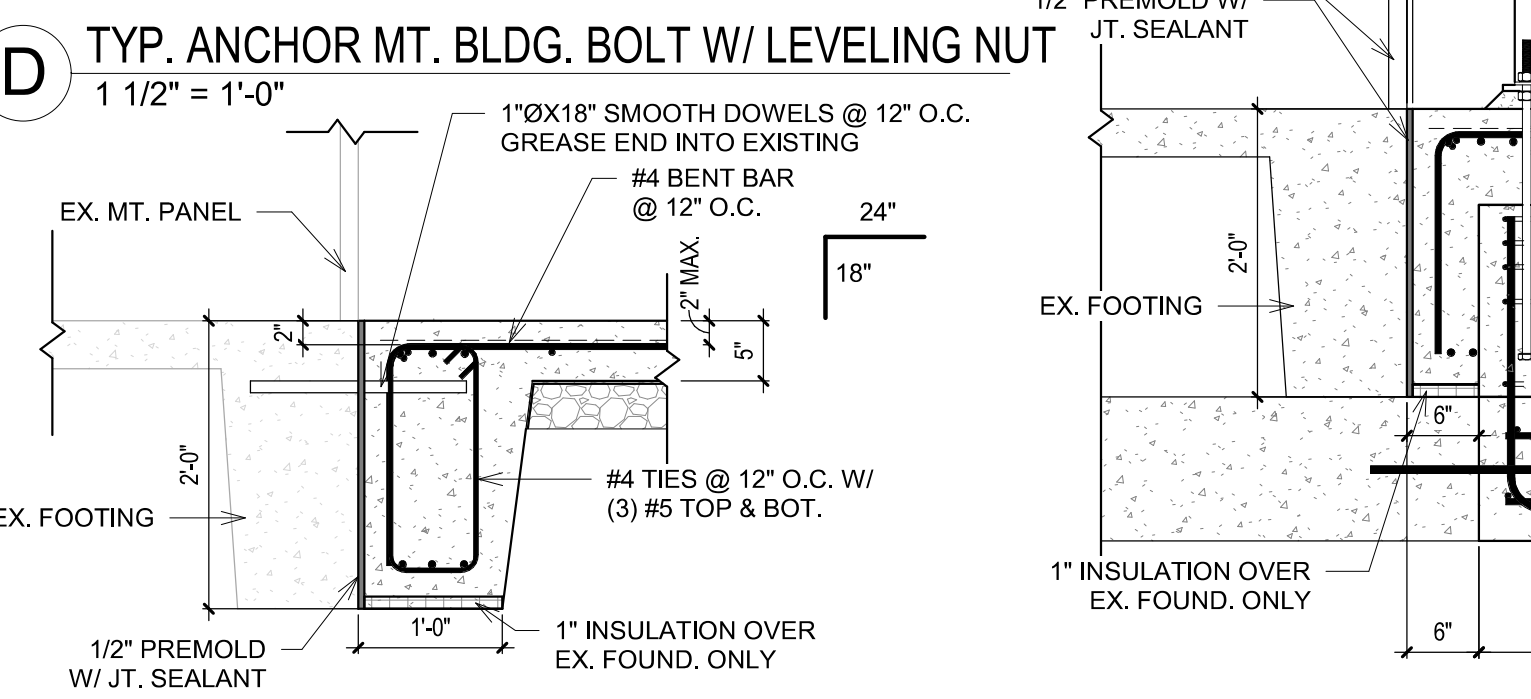
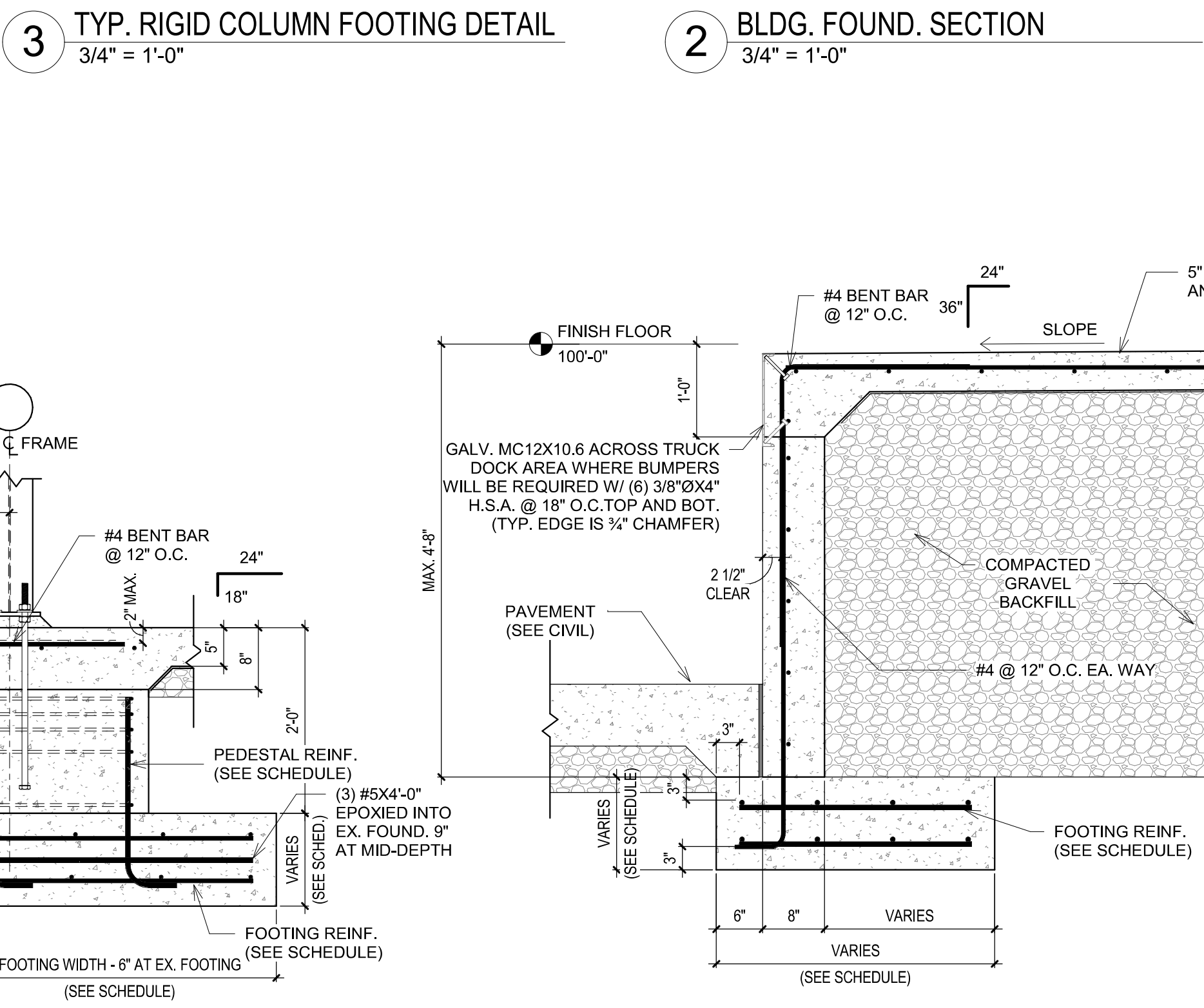
FOUNDATION SCHEDULE					
FTG MARK	DIMENSIONS			REINFORCEMENT	TOP OF FOOTING ELEV.
	LENGTH	WIDTH	THICK.		
F4A	4'-0"	4'-0"	1'-0"	#4 @ 12" O.C. EA. WAY TOP & BOT.	-2'-0"
F4C	4'-0"	4'-0"	1'-0"	#4 @ 12" O.C. EA. WAY TOP & BOT.	-3'-8"

CONT. & RETAINING FOOTING SCHEDULE				
FOUND. MARK	DIMENSIONS			REINFORCEMENT
	WIDTH	THICK	T.O.F.	
RF2.5A	2'-6"	1'-0"	6"	#4 @ 12" O.C. EA. WAY, TOP & BOT.
RF2.5B	2'-6"	1'-0"	6"	#4 @ 12" O.C. EA. WAY, TOP & BOT.
RF2.5C	2'-6"	1'-0"	6"	#4 @ 12" O.C. EA. WAY, TOP & BOT.
RF2.5D	2'-6"	1'-0"	6"	#4 @ 12" O.C. EA. WAY, TOP & BOT.
RF3.5D	3'-6"	1'-0"	6"	#4 @ 12" O.C. EA. WAY, TOP & BOT.
RF3C	3'-0"	1'-0"	6"	#4 @ 12" O.C. EA. WAY, TOP & BOT.
RF3D	3'-0"	1'-0"	6"	#4 @ 12" O.C. EA. WAY, TOP & BOT.



ANCHOR BOLT TABLE				
ANCHOR SIZE	HOLE SIZE	EMBED DEPTH	WASHER SIZE ¹	BOT. PL. SIZE ¹
3/4"	1 5/16"	16"	2"Ø X 1/4"	2 1/2"Ø X 1/2"

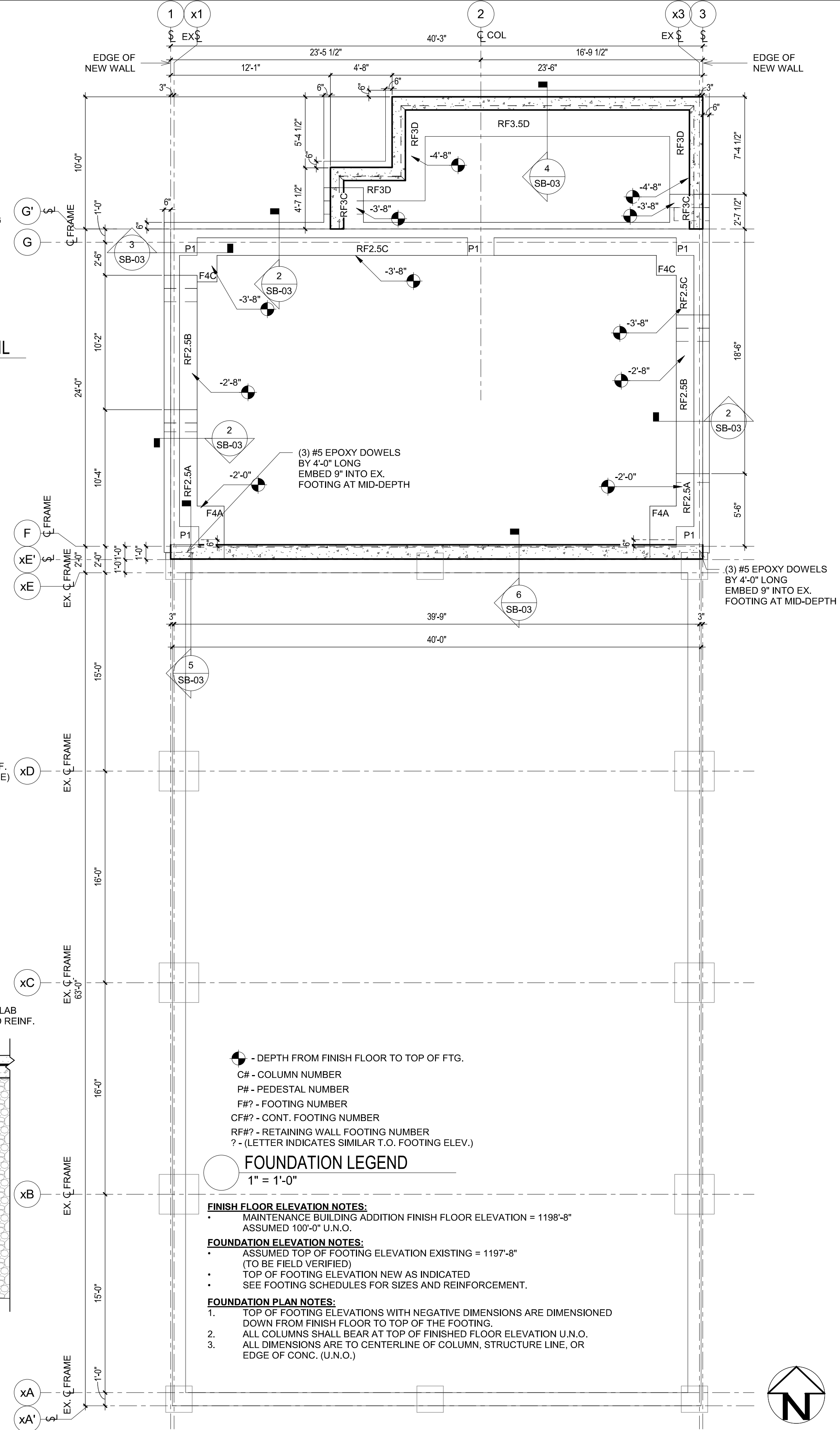
1. WASHERS AND BOT. PLATE MAY BE SQUARE OF MIN. A572-GR 50 MATERIAL.
 2. NON-SHRINK 5,000 PSI GROUT SHALL BE 1-1/2" THICK U.N.O.
 3. "J" BOLTS ARE NOT ACCEPTED.
 4. THESE EMBEDMENT LENGTHS PROVIDED FOR BIDDING PURPOSES. FINAL EMBEDMENT LENGTHS MUST BE CHECKED AGAINST FINAL METAL BUILDING MANUFACTURER'S COLUMN REACTIONS



6. TYP. TURNDOWN AT EX. TURNDOWN DETAIL 3/4" = 1'-0"

5. BLDG. COL. FOUND. SECTION & EX. BLDG. FOUND. 3/4" = 1'-0"

4. DOCK FOUNDATION SECTION 3/4" = 1'-0"



1. FOUNDATION PLAN 3/16" = 1'-0"

FOUNDATION LEGEND
 1" = 1'-0"

FINISH FLOOR ELEVATION NOTES:
 • MAINTENANCE BUILDING ADDITION FINISH FLOOR ELEVATION = 1198'-8"
 ASSUMED 100'-0" U.N.O.

FOUNDATION ELEVATION NOTES:
 • ASSUMED TOP OF FOOTING ELEVATION EXISTING = 1197'-8"
 (TO BE FIELD VERIFIED)
 • TOP OF FOOTING ELEVATION NEW AS INDICATED
 • SEE FOOTING SCHEDULES FOR SIZES AND REINFORCEMENT.

FOUNDATION PLAN NOTES:
 1. TOP OF FOOTING ELEVATIONS WITH NEGATIVE DIMENSIONS ARE DIMENSIONED DOWN FROM FINISH FLOOR TO TOP OF THE FOOTING.
 2. ALL COLUMNS SHALL BEAR AT TOP OF FINISHED FLOOR ELEVATION U.N.O.
 3. ALL DIMENSIONS ARE TO CENTERLINE OF COLUMN, STRUCTURE LINE, OR EDGE OF CONC. (U.N.O.)

FOUNDATION LEGEND
 C# - COLUMN NUMBER
 P# - PEDESTAL NUMBER
 F#? - FOOTING NUMBER
 CF#? - CONT. FOOTING NUMBER
 RF#? - RETAINING WALL FOOTING NUMBER
 ? - (LETTER INDICATES SIMILAR T.O. FOOTING ELEV.)

DATE	
REVISION	

ROGERS, ARKANSAS
 ROGERS POLLUTION CONTROL FACILITY (PCF)
 SOLIDS HANDLING IMPROVEMENTS, PHASE II
 MAINTENANCE BUILDING
 BUILDING FOUNDATION PLAN AND DETAILS
 ROGERS WATER UTILITIES

DATE:	AUGUST 2024
SCALE:	As indicated
DESIGNED BY:	JMR
DRAWN BY:	TPL
HWEI NO.:	2020043
FILENAME:	SB-03

SHEET NO. **SB-03**