

4 EX N. PLAT W. ELEV
3/16" = 1'-0"

3 EX N. PLAT N. ELEV
3/16" = 1'-0"

2 EX N. PLAT E. ELEV
3/16" = 1'-0"

1 EX N. PLAT S. ELEV
3/16" = 1'-0"

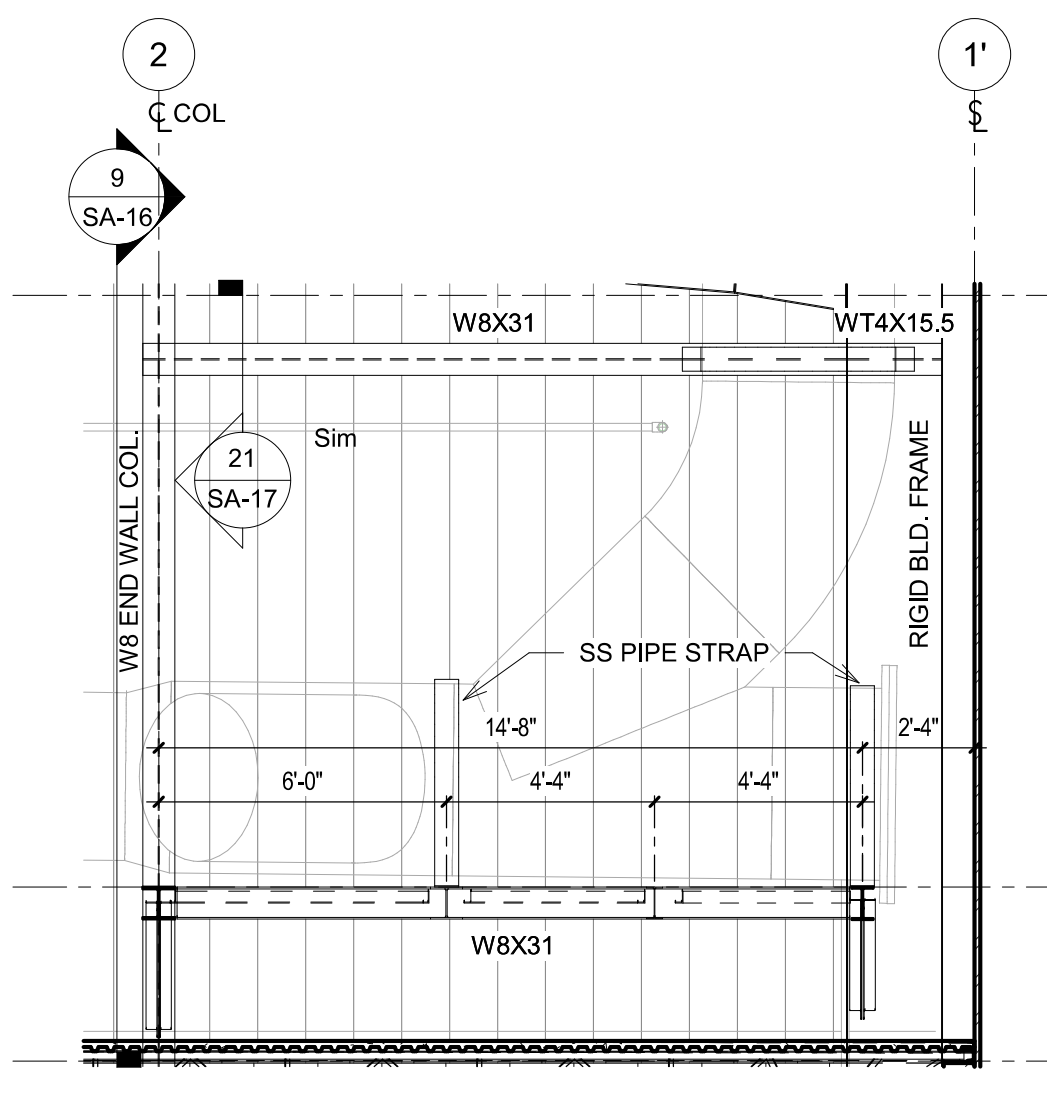
1" = 1'-0"
ONE INCH AT FULL SIZE
IF NOT ONE INCH SCALE ACCORDINGLY

DATE: _____

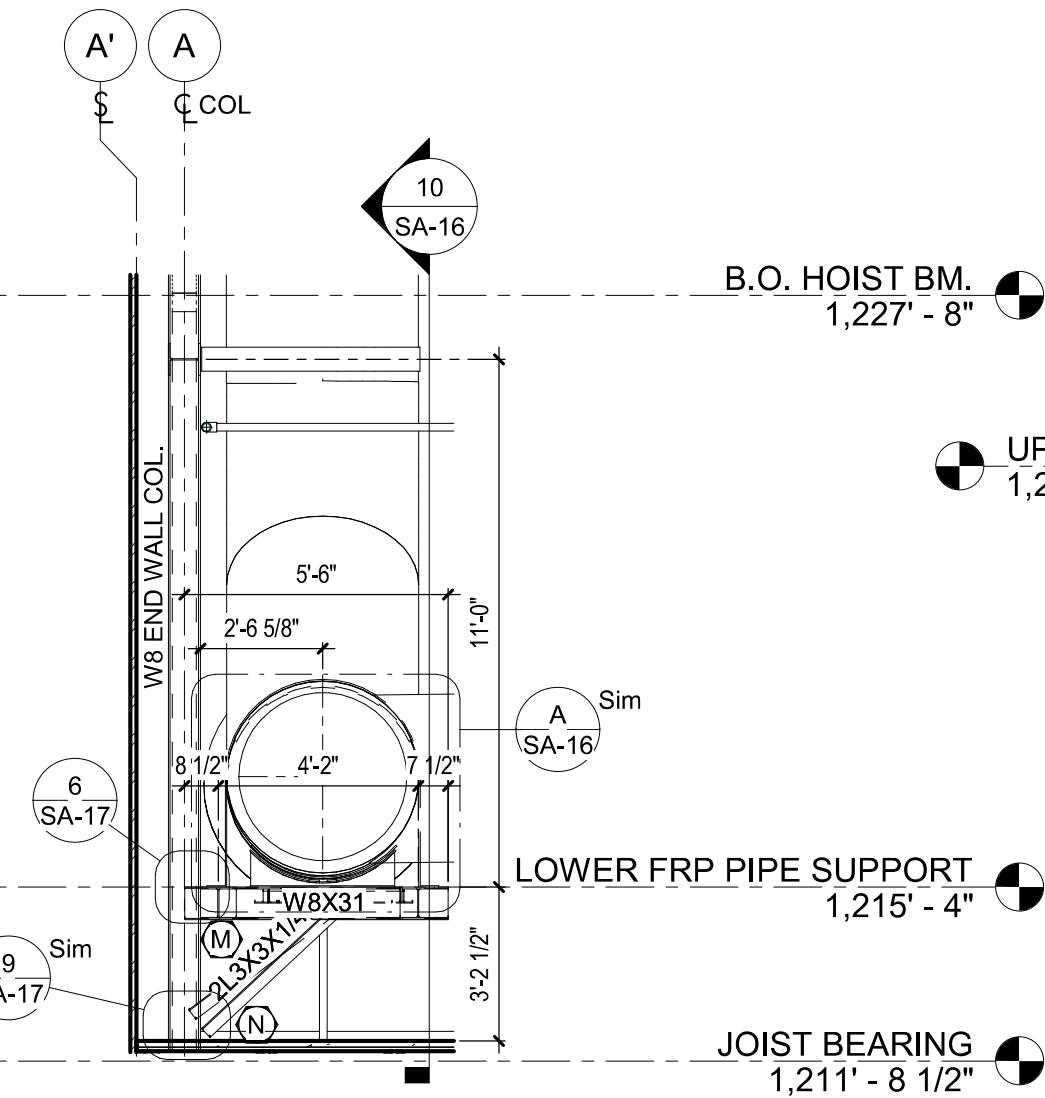
REVISION: _____

STATE OF ARKANSAS
PROFESSIONAL ENGINEER
JON M. RIGORNEY
No. 14516
8/30/2024

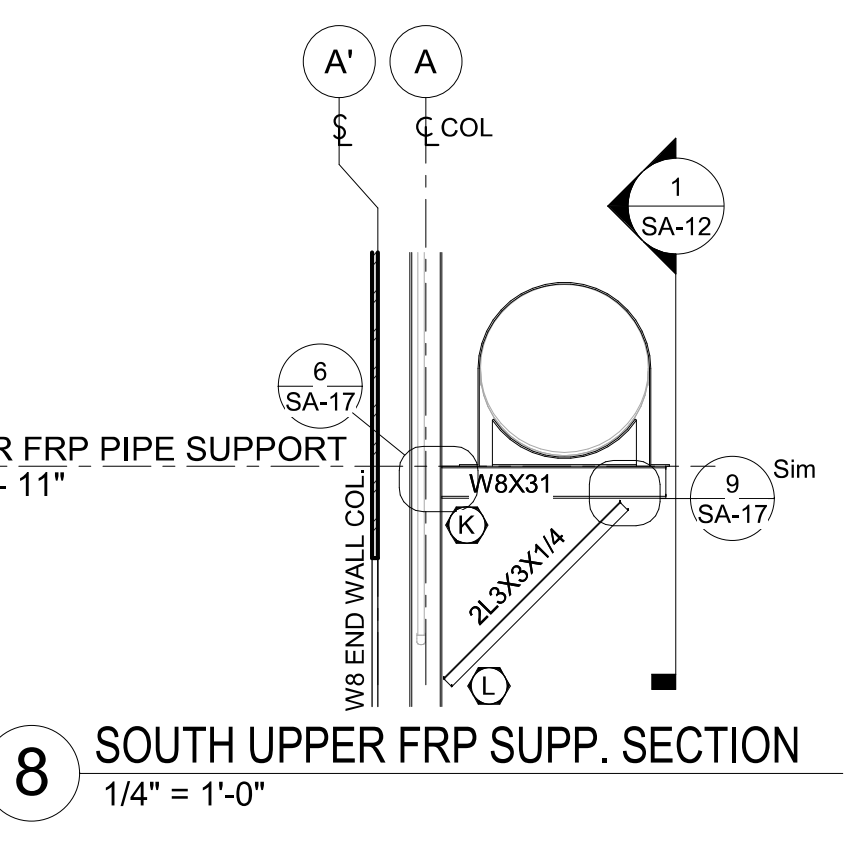
HAWKINS WEIR ENGINEERS, INC.
CORNERSTONE STRUCTURAL ENGINEERING, INC.



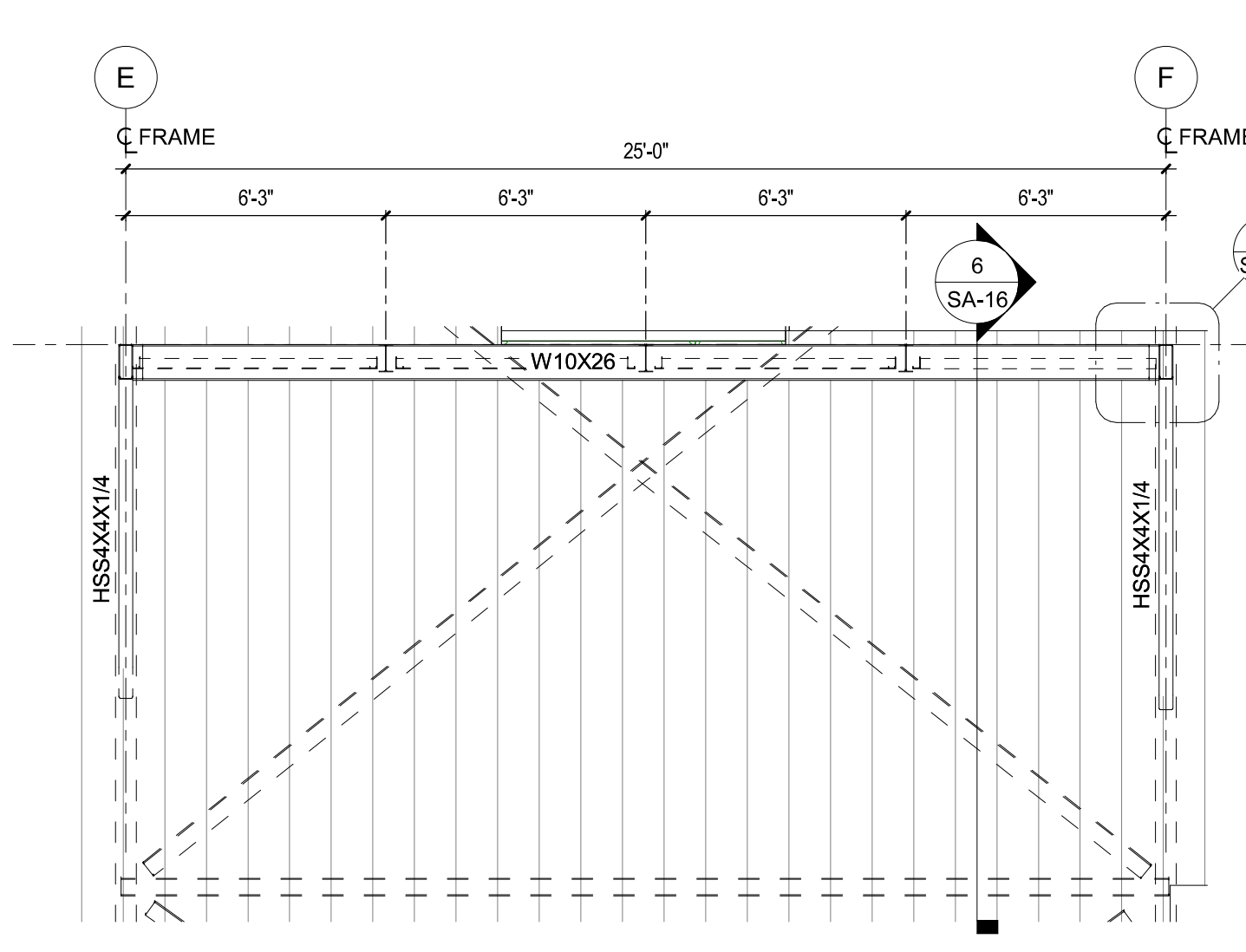
10 SOUTH LOWER FRP AND EXHAUST FRONT ELEVATION
1/4" = 1'-0"



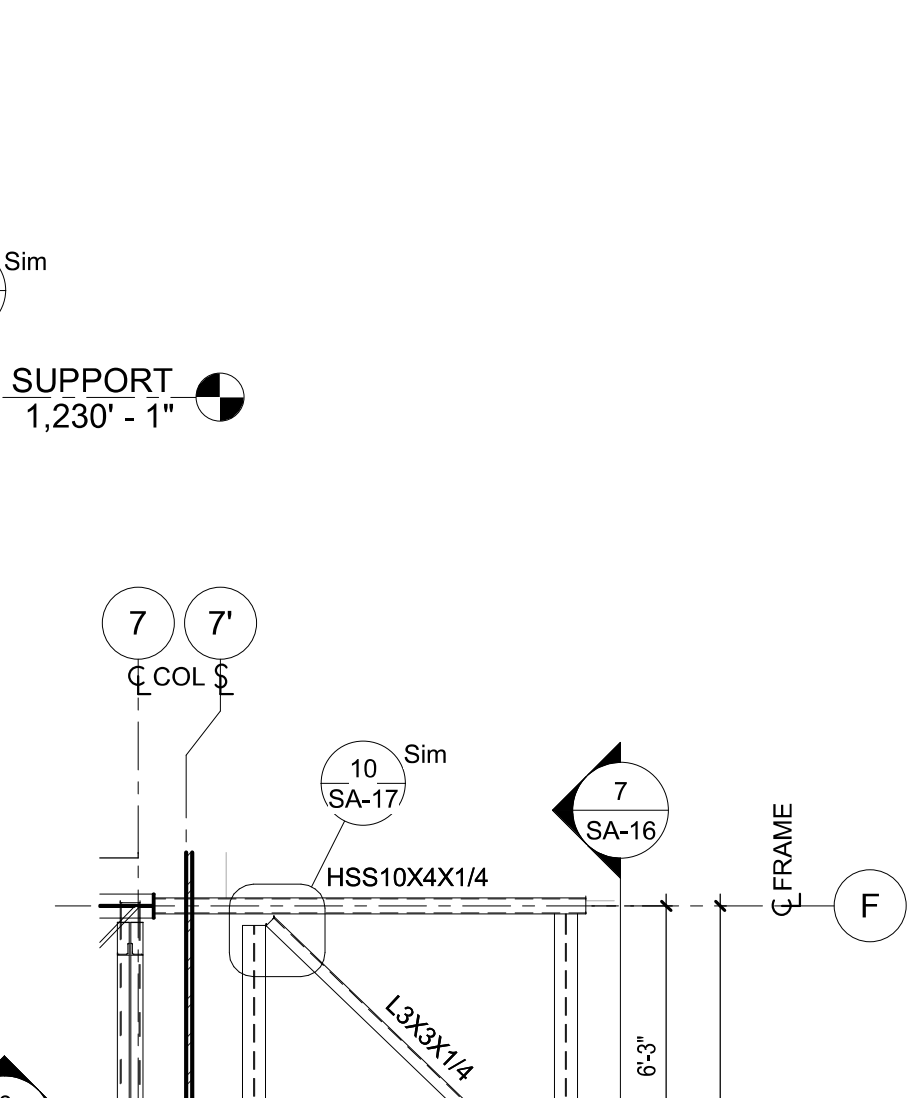
9 SOUTH LOWER FRP SUPP. SECTION
1/4" = 1'-0"



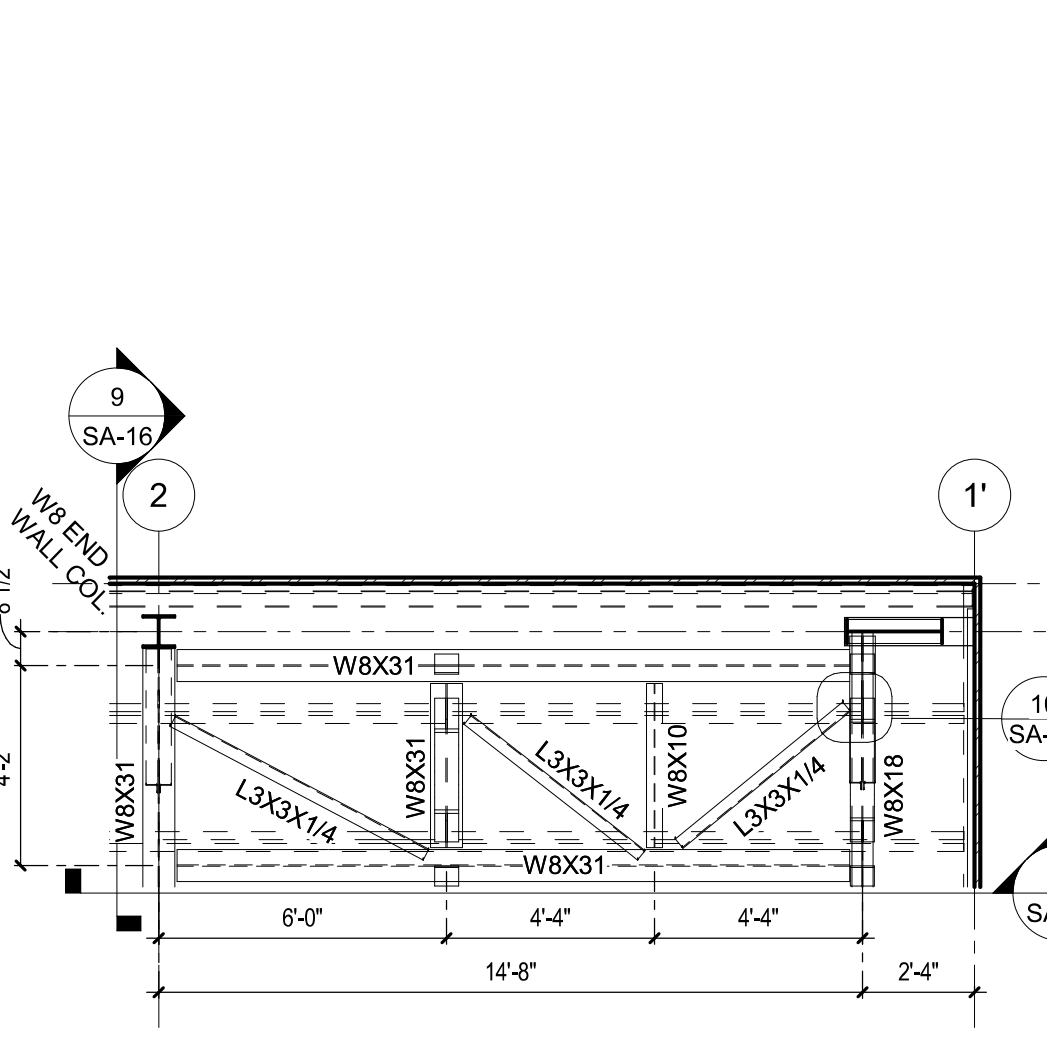
8 SOUTH UPPER FRP SUPP. SECTION
1/4" = 1'-0"



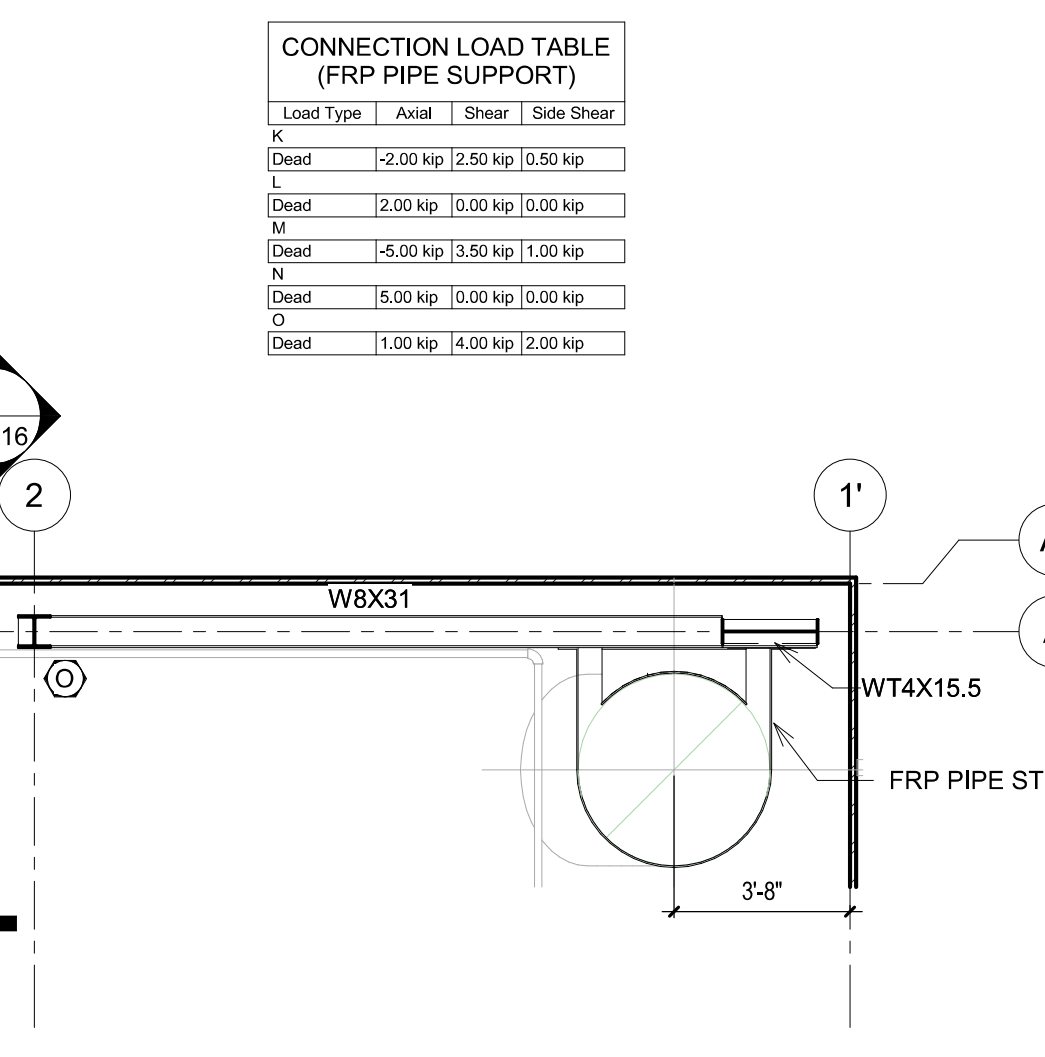
7 EAST DUCT SUPPORT FRAMING ELEVATION
1/4" = 1'-0"



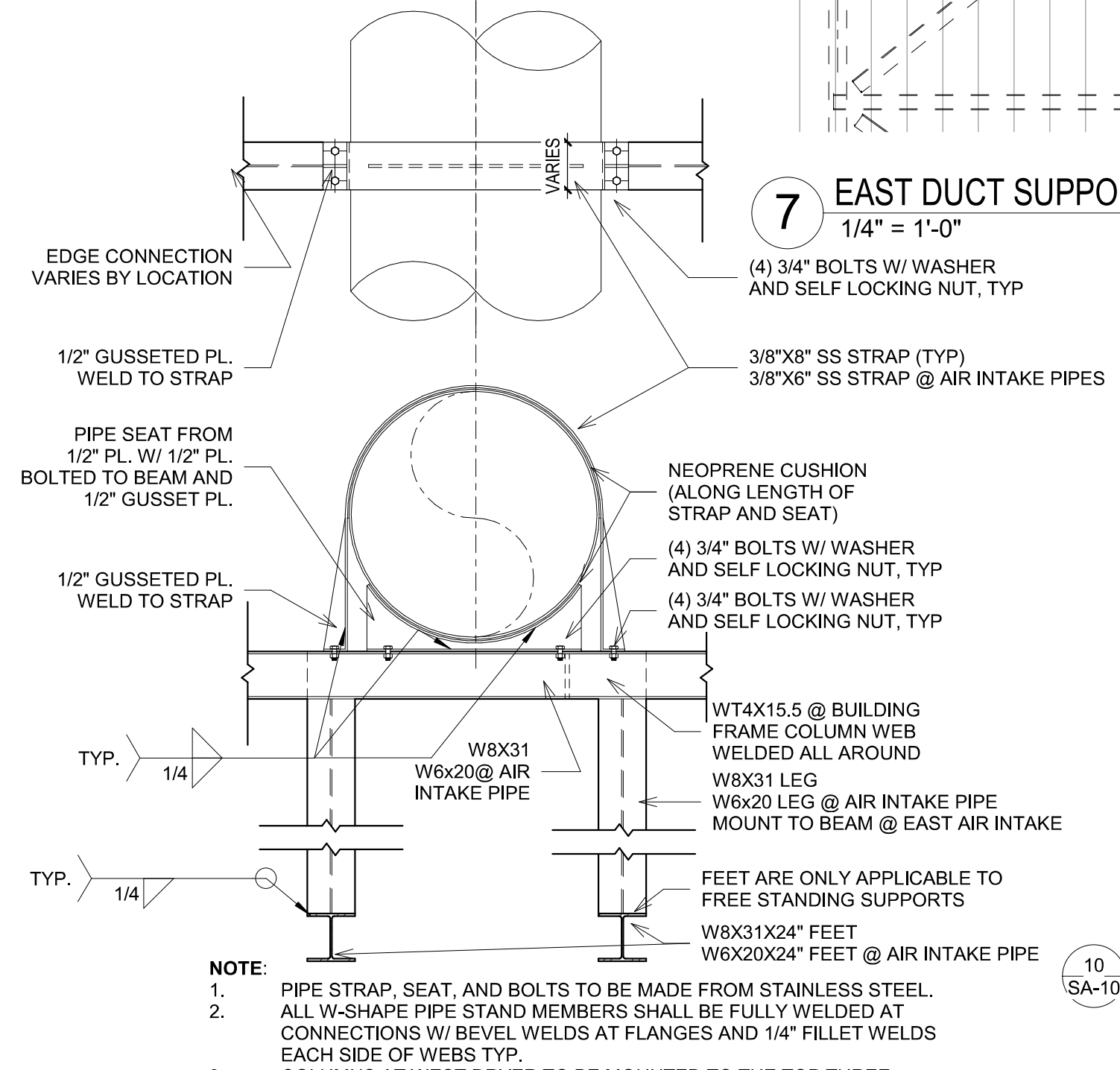
5 EAST DUCT SUPPORT FRAMING PLAN
1/4" = 1'-0"



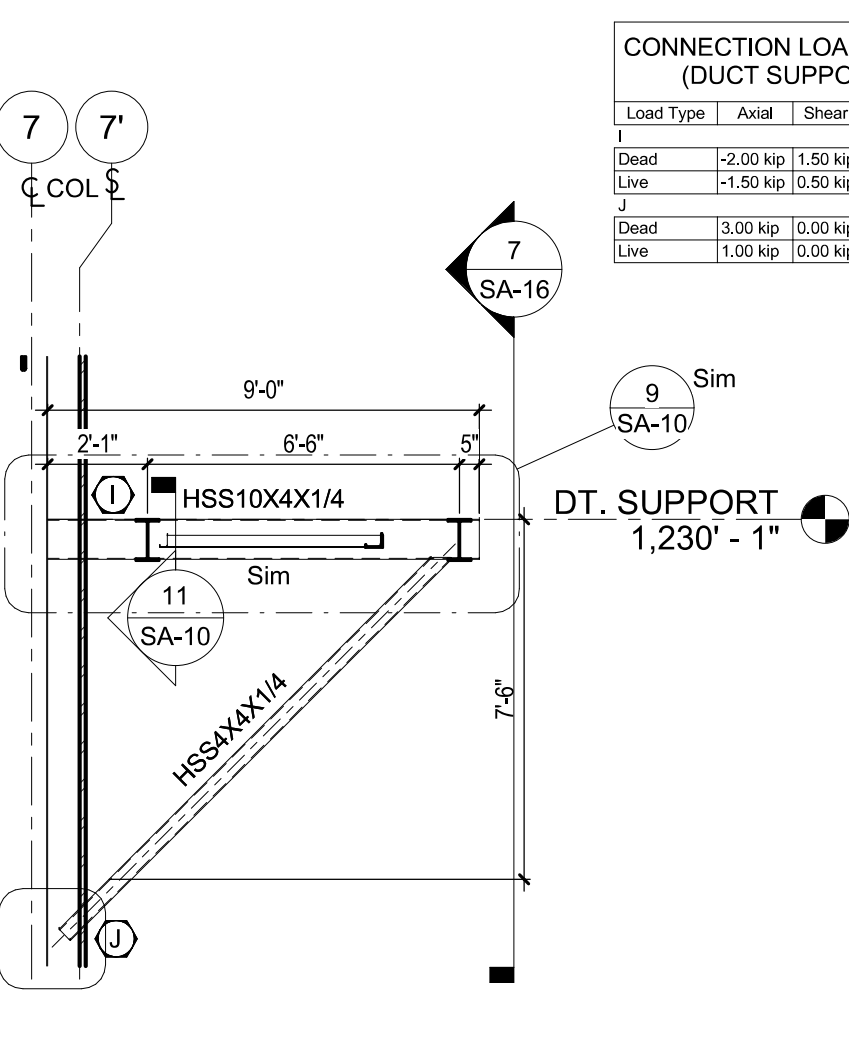
12 SOUTH EXHAUST FRAMING PLAN
1/4" = 1'-0"



11 SOUTH EXHAUST UPRIGHT
1/4" = 1'-0"



A FRP PIPE STRAP DETAIL
1/2" = 1'-0"



6 EAST DUCT SUPPORT FRAMING SECTION
1/4" = 1'-0"

CONNECTION LOAD TABLE (FRP PIPE SUPPORT)

Load Type	Axial	Shear	Side Shear
K	-2.00 kip	2.50 kip	0.50 kip
L	2.00 kip	0.00 kip	0.00 kip
M	-5.00 kip	3.50 kip	1.00 kip
N	5.00 kip	0.00 kip	0.00 kip
O	1.00 kip	14.00 kip	2.00 kip

CONNECTION LOAD TABLE (DUCT SUPPORT)

Load Type	Axial	Shear	Side Shear
I	-2.00 kip	1.50 kip	0.50 kip
J	-1.50 kip	0.50 kip	1.00 kip
K	3.00 kip	0.00 kip	0.00 kip
L	1.00 kip	0.00 kip	0.00 kip

- NOTE:
- PIPE STRAP, SEAT, AND BOLTS TO BE MADE FROM STAINLESS STEEL.
 - ALL W-SHAPE PIPE STAND MEMBERS SHALL BE FULLY WELDED AT CONNECTIONS W/ BEVEL WELDS AT FLANGES AND 1/4" FILLET WELDS EACH SIDE OF WEBS TYP.
 - COLUMNS AT WEST DRYER TO BE MOUNTED TO THE TOP THREE FEET OF THE DRYER SIDE, MANUFACTURER TO PROVIDE APPROPRIATE ATTACHMENT FOR 1,200 LB LOAD.

HAWKINS WEIR ENGINEERS, INC.
CORNERSTONE STRUCTURAL ENGINEERING, INC.

ROGERS, ARKANSAS
ROGERS POLLUTION CONTROL FACILITY (PCF)
SOLIDS HANDLING IMPROVEMENTS, PHASE II
DRYER BUILDING
EXT. EQUIP. PLAT. ELEV. & DTLS. & BLDG. EQUIP. SUPP.

DATE: AUGUST 2024
SCALE: As indicated
DESIGNED BY: JMR
DRAWN BY: TPL
HWEI NO.: 2020043
FILENAME: SA-16

SHEET NO.
SA-16