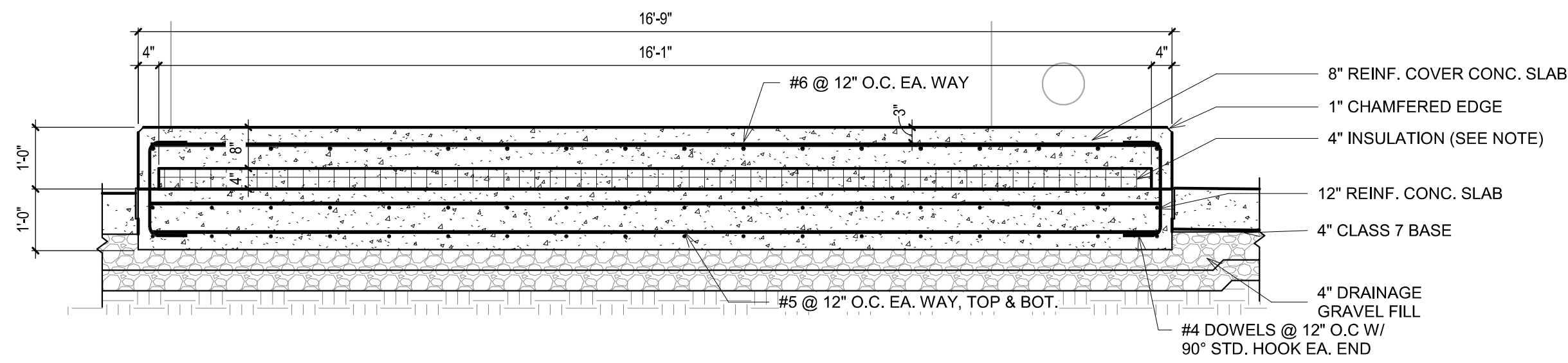


8/26/2024 10:04:35 AM / TPL / BUILDING EQUIPMENT PLAN

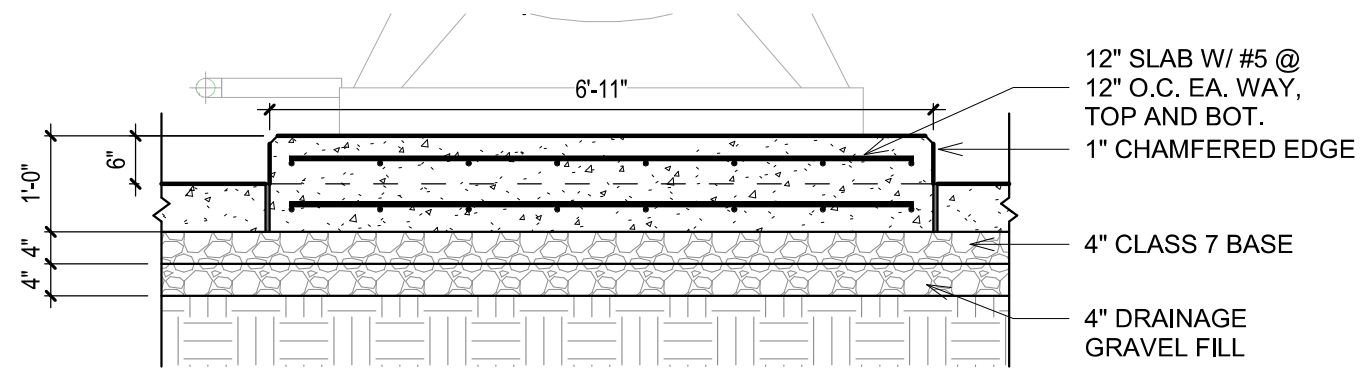
Autodesk Docs/CSE23068 HW Rogers PCF Phase2 SH Improv/406493-Solids Building-CSE.rvt



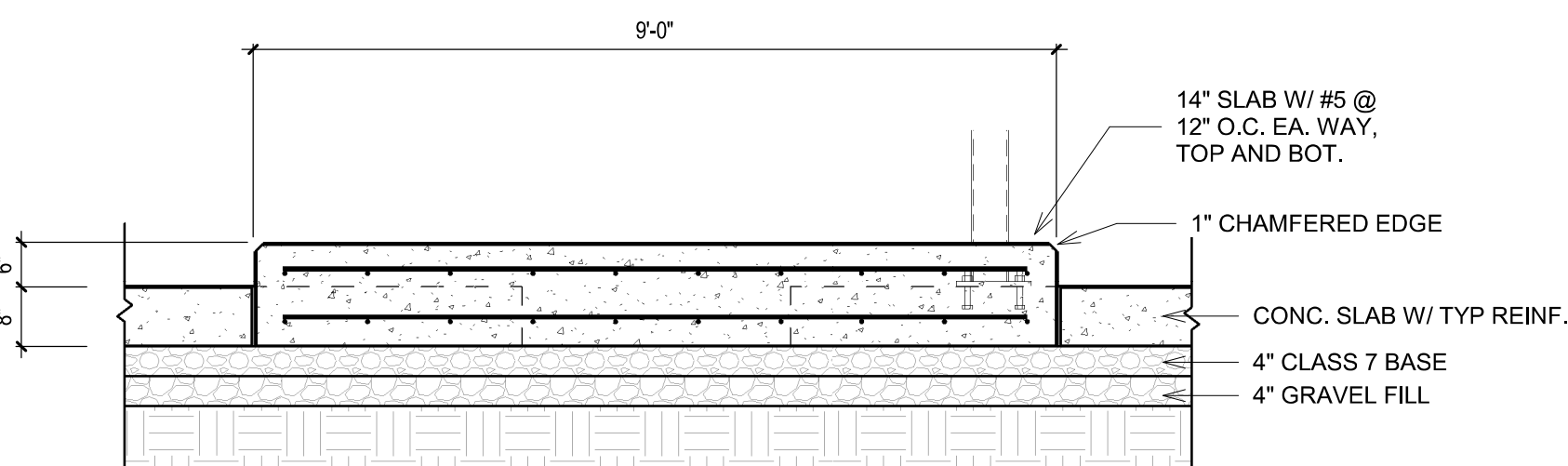
**A DRYER FOUNDATION SECTION**  
1/2" = 1'-0"

**DRYER FOUNDATION SLAB PLAN NOTES:**

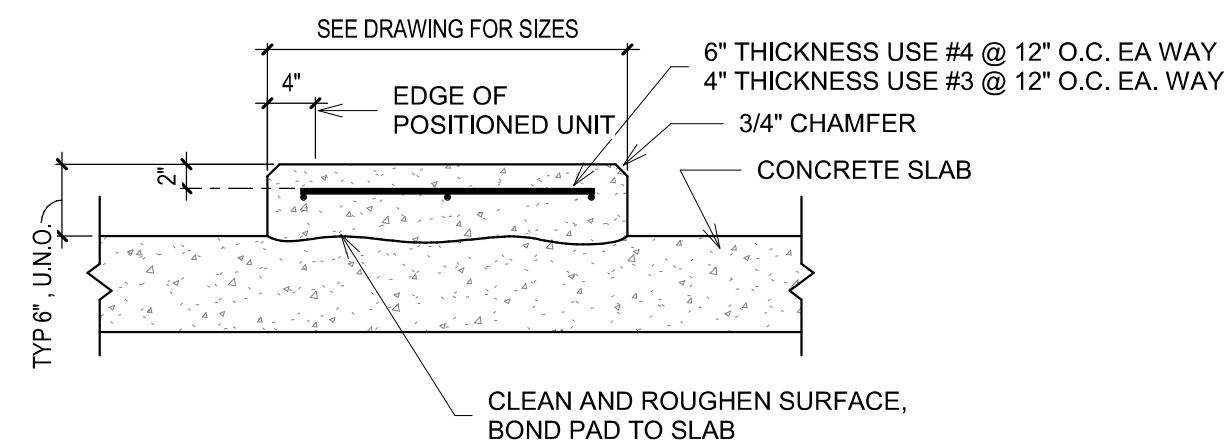
1. REINFORCED CONCRETE AND THERMAL INSULATION NEED TO BE RESISTANT AGAINST AMMONIA, MOISTURE, AND A CONSTANT TEMPERATURE MIN OF 140°C
2. SURFACE OF FOUNDATION MUST BE POWER TROWELED, FLATNESS TOLERANCE OVER ENTIRE SURFACE MUST BE WITHIN ± 5MM
3. CONCRETE COVER TO EXTEND 4" ON EAST AND WEST SIDES, 12" ON NORTH, AND 8" ON SOUTH
4. 4" INSULATION (2,750 SQFT REQUIRED) TO BE OF THE FOLLOWING OR EQUIVALENT:
  - A. FOAMGLAS T4+
  - B. FOAMGLAS T3+
  - C. FOAMGLAS S3
5. 12" REINFORCED SLAB BELOW INSULATION SAME SIZE AND SHAPE AS DRYER FOUNDATION.



**B BOILER FOUNDATION SECTION**  
1/2" = 1'-0"



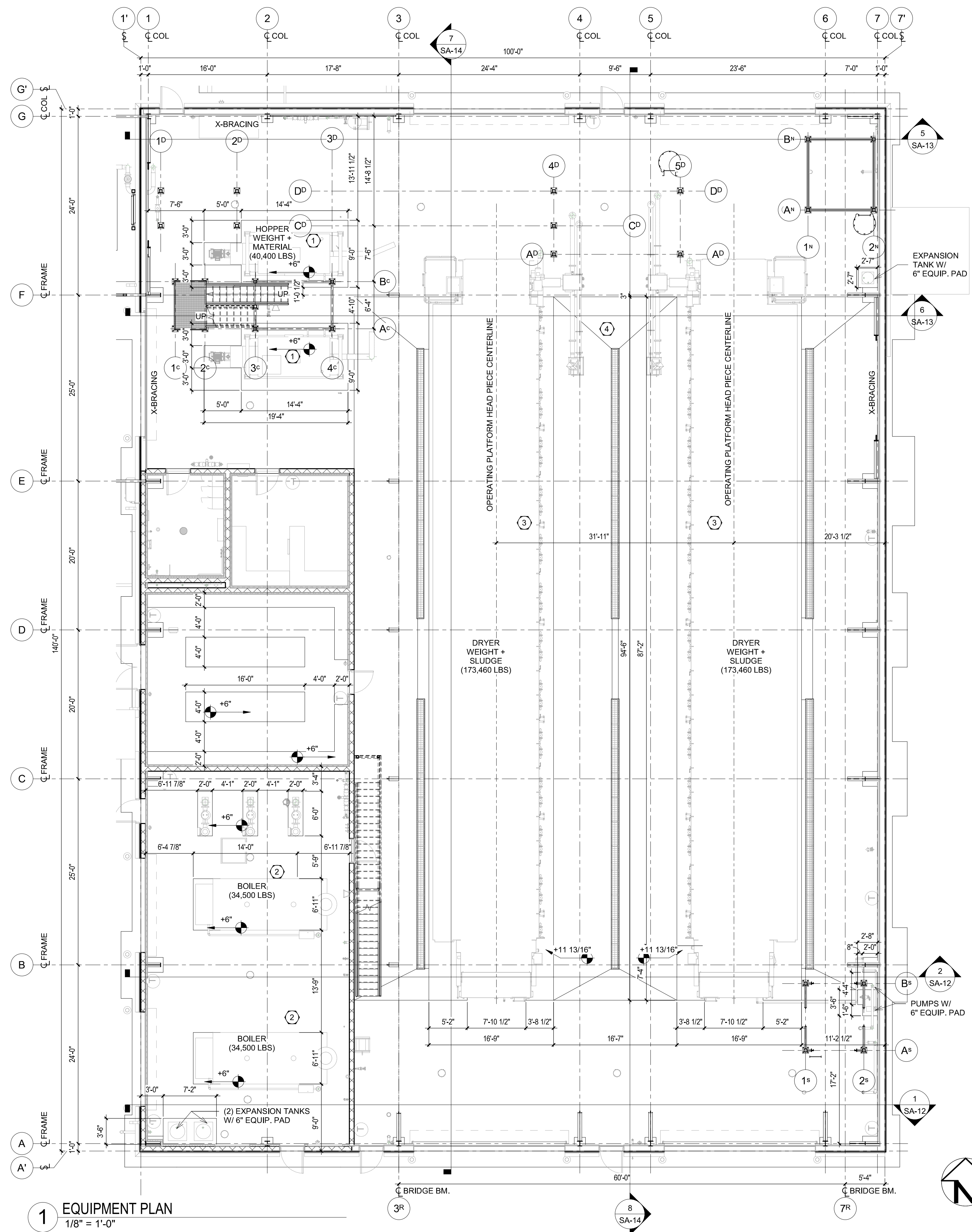
**C CAKE HOPPER FOUNDATION**  
1/2" = 1'-0"



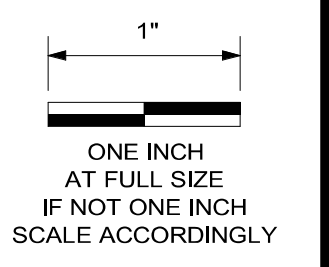
**D HOUSEKEEPING PAD**  
3/4" = 1'-0"

**KEYED NOTES:**

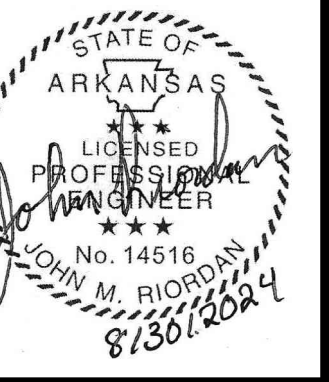
- 1 DEWATERED CAKE HOPPER
- 2 BOILERS
- 3 HUBER BELT DRYER
- 3 TON UNDERHUNG 60FT SPAN BRIDGE CRANE



**1 EQUIPMENT PLAN**  
1/8" = 1'-0"



DATE
REVISION



**HAWKINS WEIR ENGINEERS, INC.**  
**CS&E CORNERSTONE**  
 STRUCTURAL ENGINEERING, INC.

Rogers, Arkansas  
 ROGERS POLLUTION CONTROL FACILITY (PCF)  
 SOLIDS HANDLING IMPROVEMENTS, PHASE II  
**DRYER BUILDING**  
**BUILDING EQUIPMENT PLAN**  
 ROGERS WATER UTILITIES

DATE: AUGUST 2024  
 SCALE: As indicated  
 DESIGNED BY: JMR  
 DRAWN BY: TPL  
 HWEI NO.: 2020043  
 FILENAME: SA-06  
 SHEET NO.  
**SA-06**