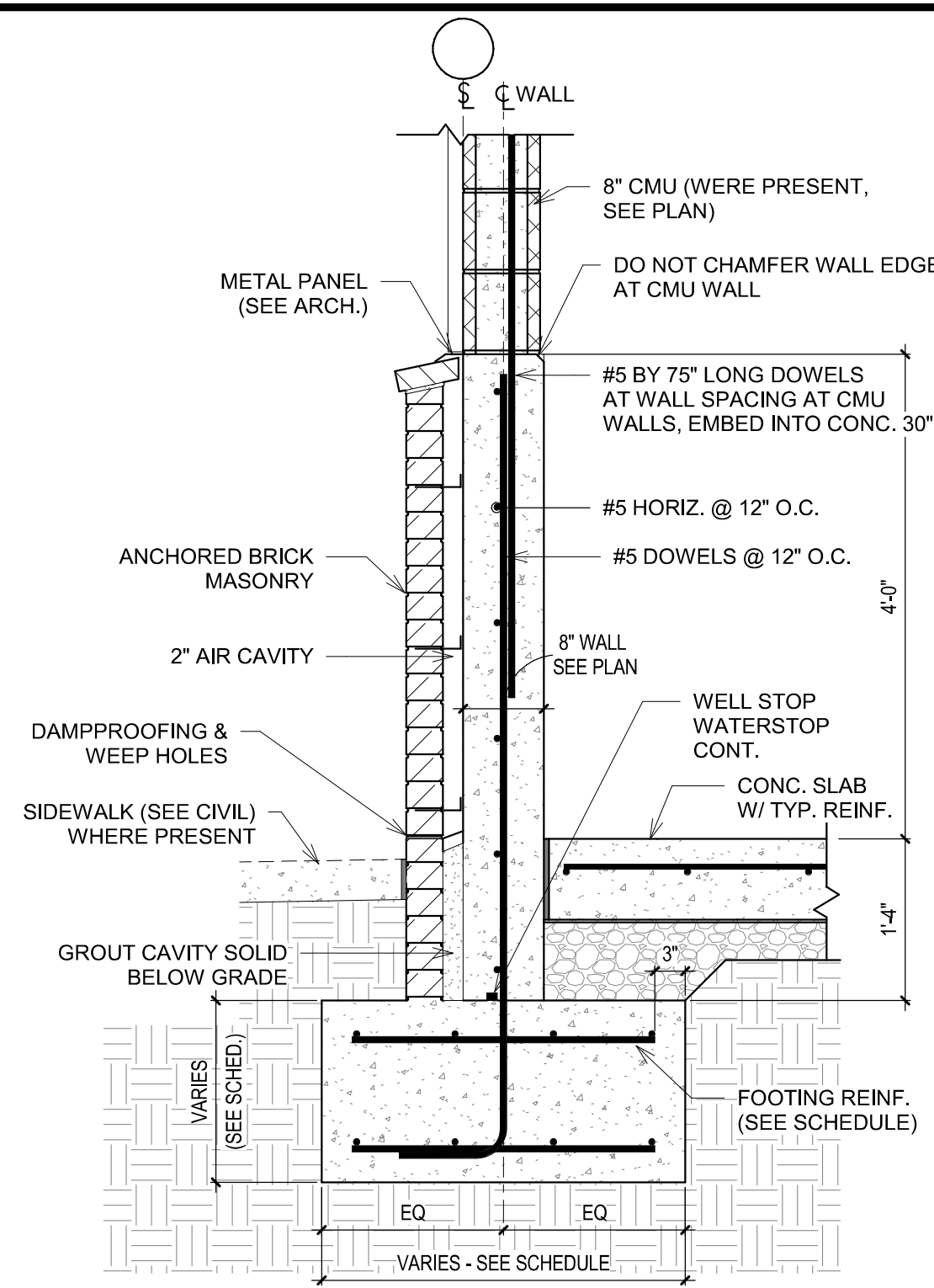
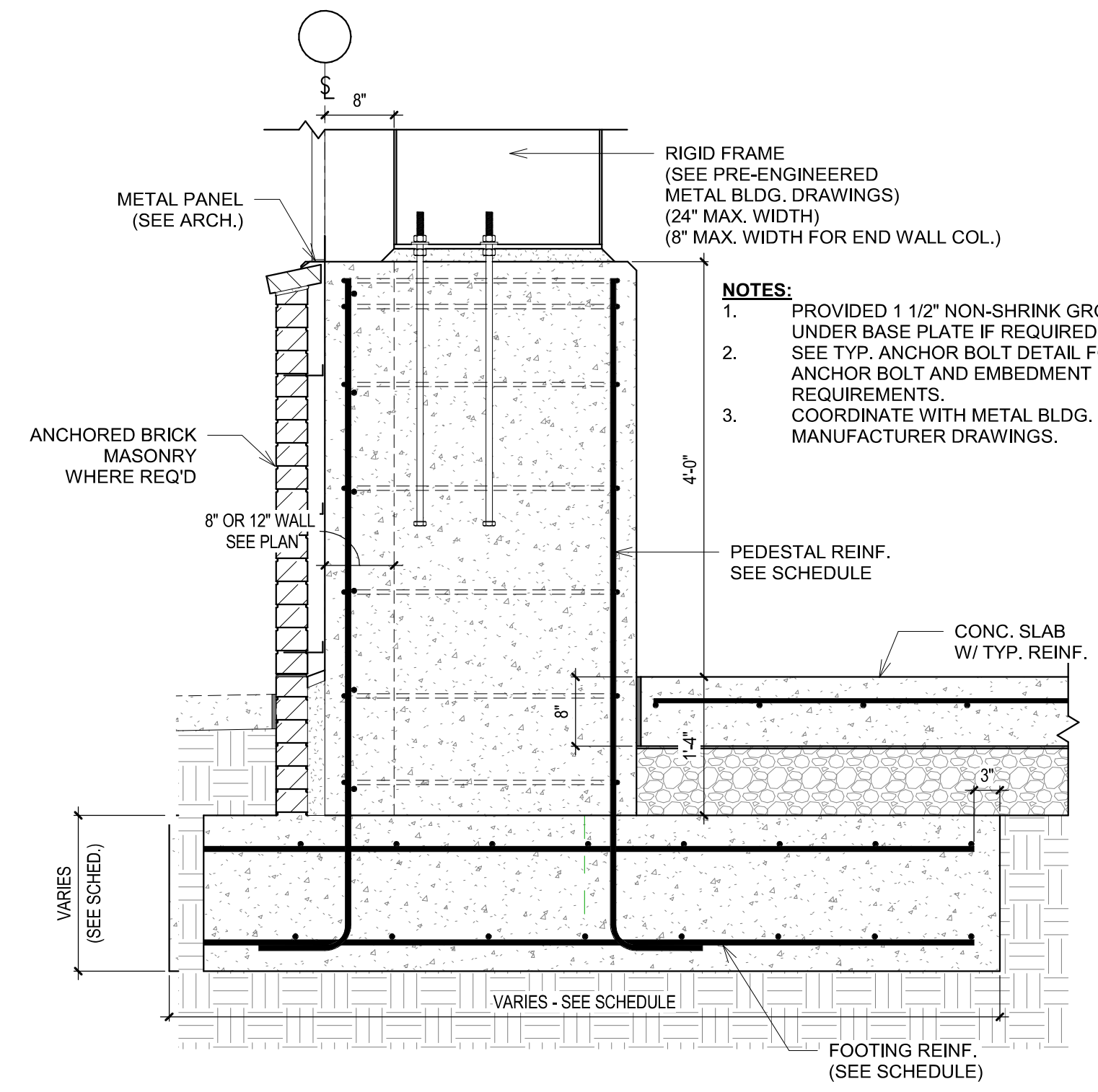


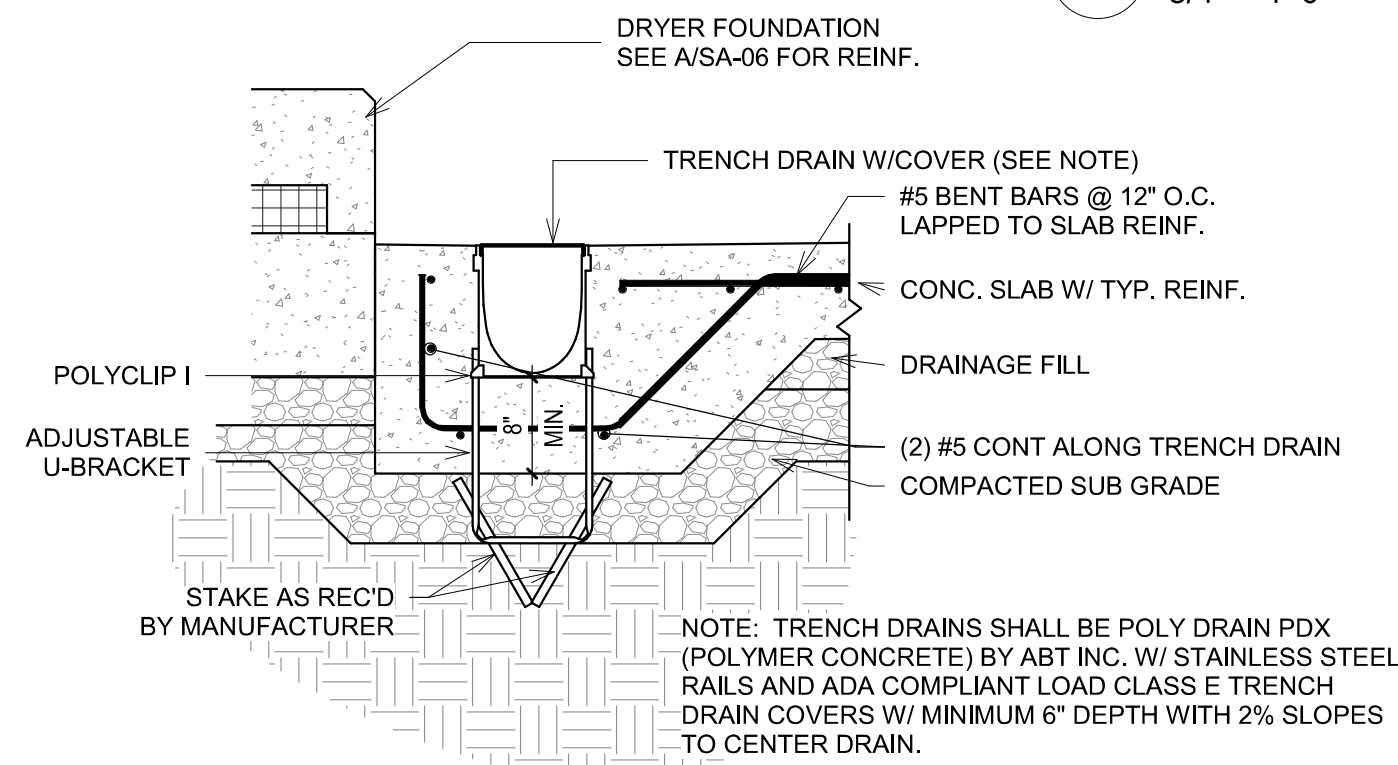
**4** TYP. 8" CMU WALL INT. FOOTING  
3/4" = 1'-0"



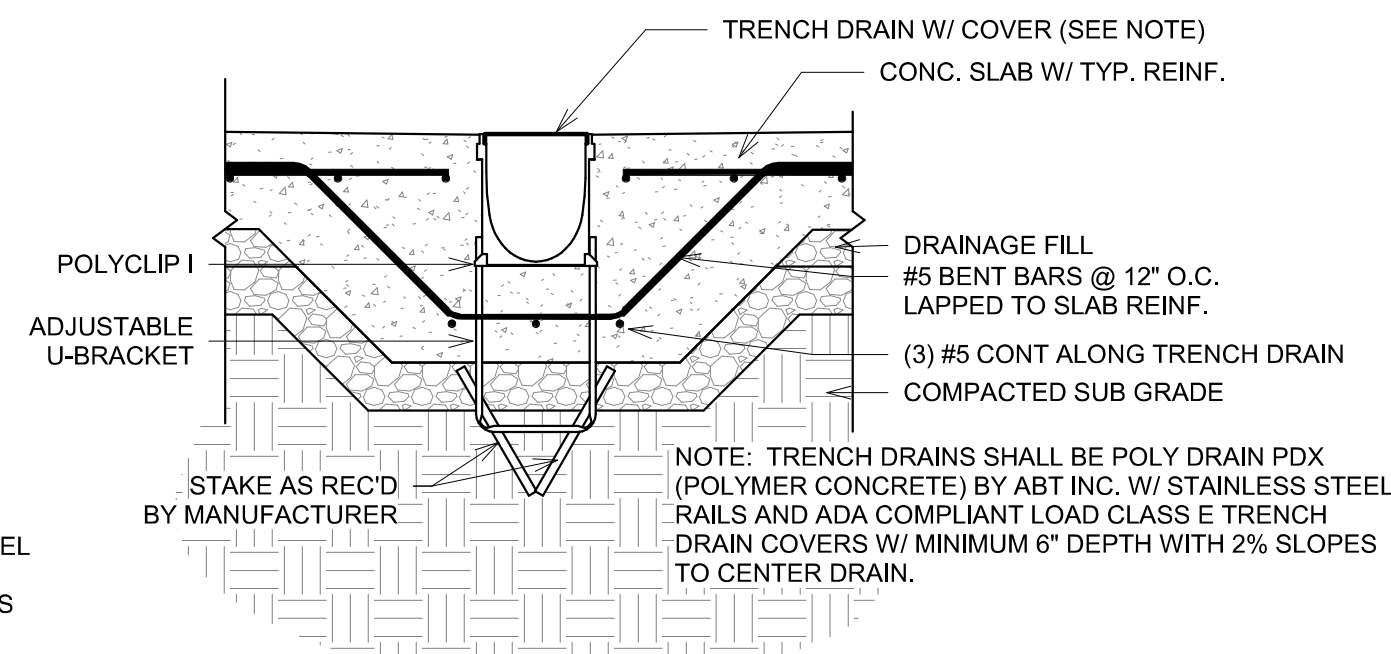
**2** TYP. 8" WALL FOOTING DETAIL  
3/4" = 1'-0"



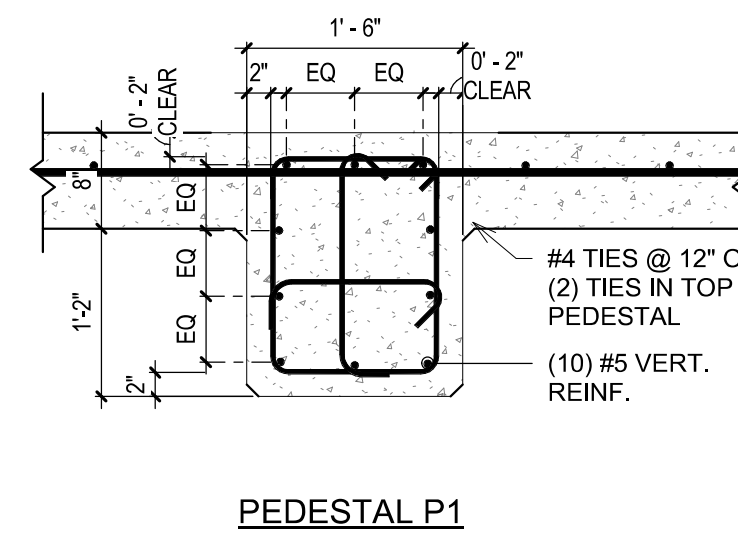
**1** TYP. RIGID COLUMN FOOTING DETAIL  
3/4" = 1'-0"



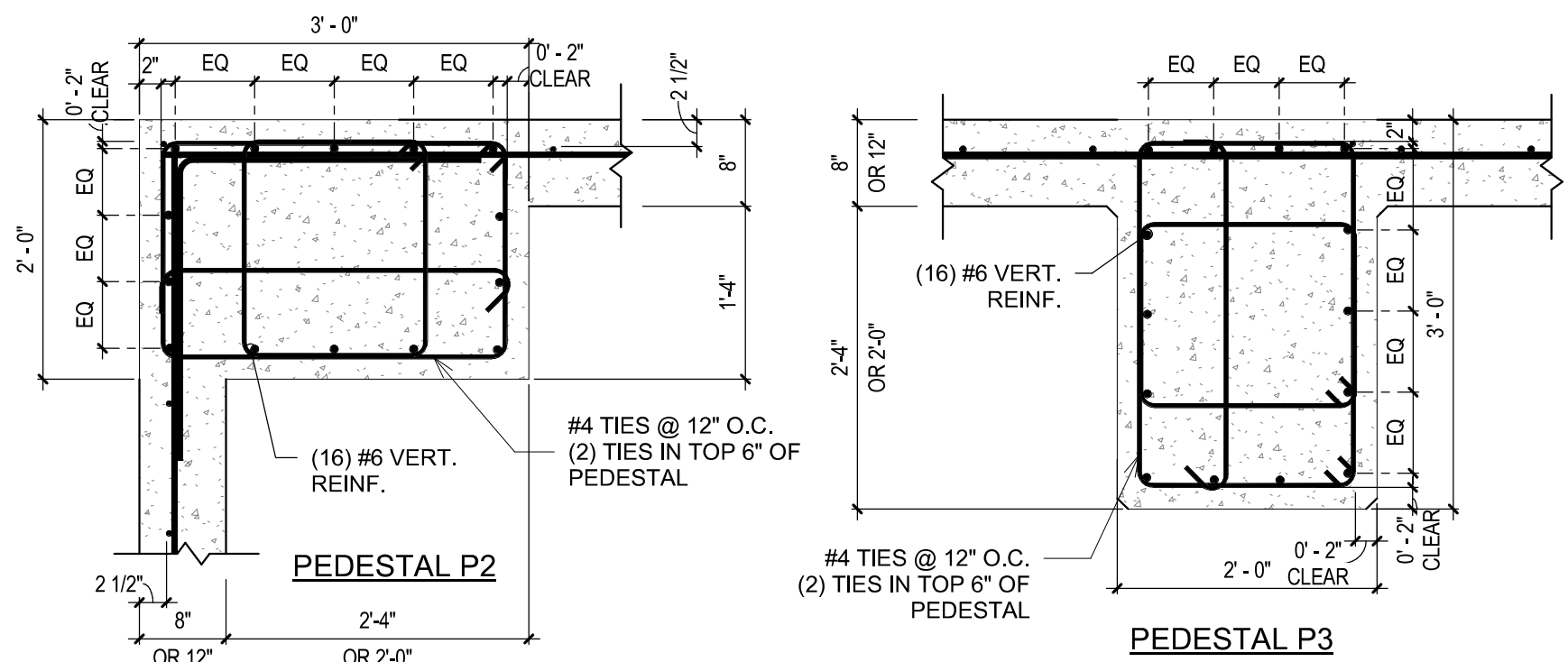
**6** TRENCH DRAIN SECTION NEAR DRYER FOUNDATION  
3/4" = 1'-0"



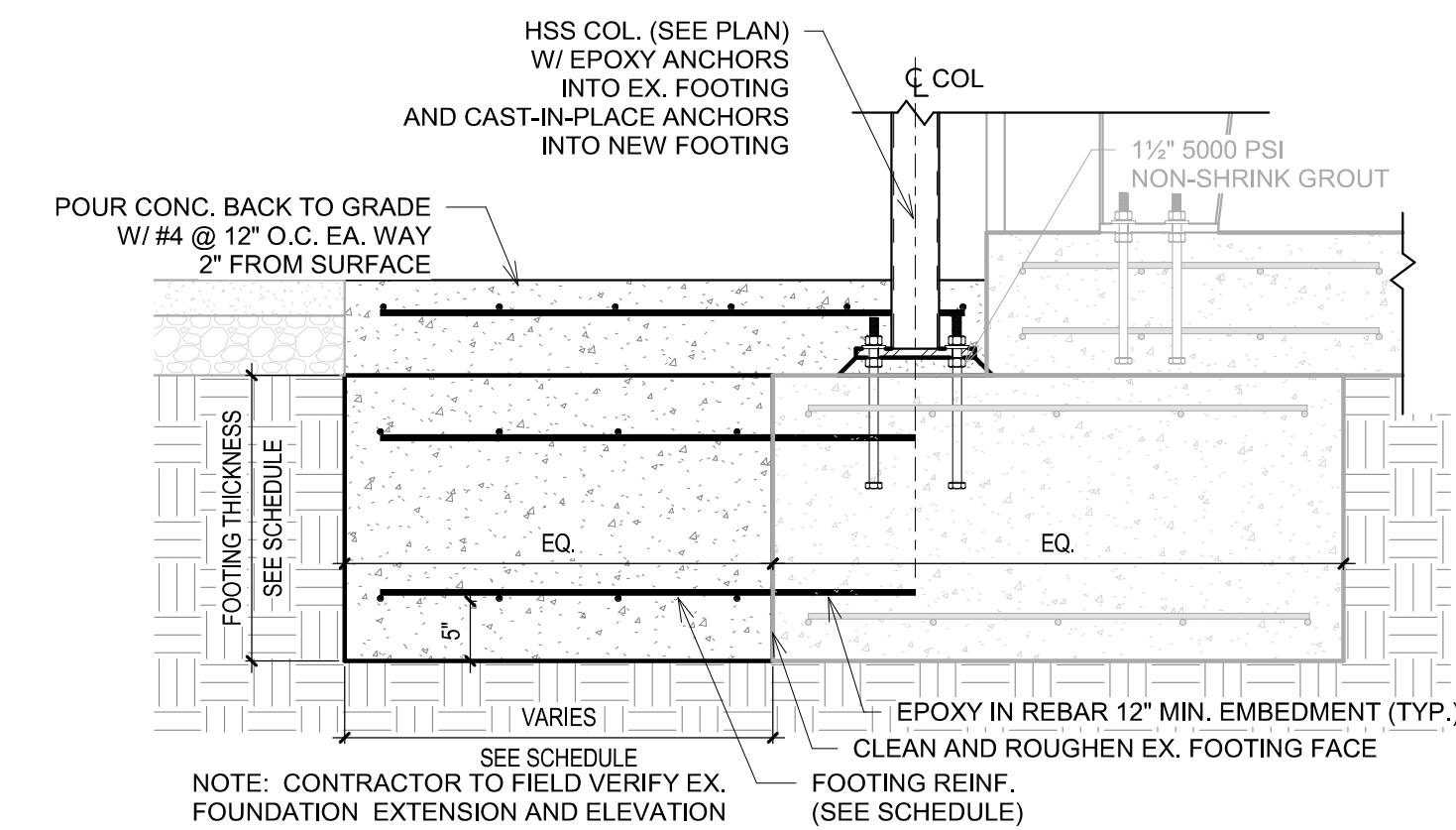
**5** TRENCH DRAIN SECTION  
3/4" = 1'-0"



**A** CONC. PEDESTAL DETAILS  
3/4" = 1'-0"



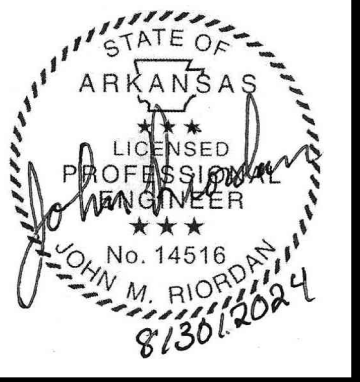
**7** TYP. FOOTING AT EX. FOOTING DETAIL  
3/4" = 1'-0"



**7** TYP. FOOTING AT EX. FOOTING DETAIL  
3/4" = 1'-0"

1"  
ONE INCH  
AT FULL SIZE  
IF NOT ONE INCH  
SCALE ACCORDINGLY

DATE	
REVISION	



**HAWKINS WEIR ENGINEERS, INC.**  
**CSE CORNERSTONE**  
STRUCTURAL ENGINEERING, INC.

Rogers, Arkansas  
ROGERS POLLUTION CONTROL FACILITY (PCF)  
SOLIDS HANDLING IMPROVEMENTS, PHASE II  
DRYER BUILDING  
FOUNDATION DETAILS  
ROGERS WATER UTILITIES

DATE: AUGUST 2024  
SCALE: 3/4" = 1'-0"  
DESIGNED BY: JMR  
DRAWN BY: TPL  
HWEI NO.: 2020043  
FILENAME: SA-04

SHEET NO.  
**SA-04**