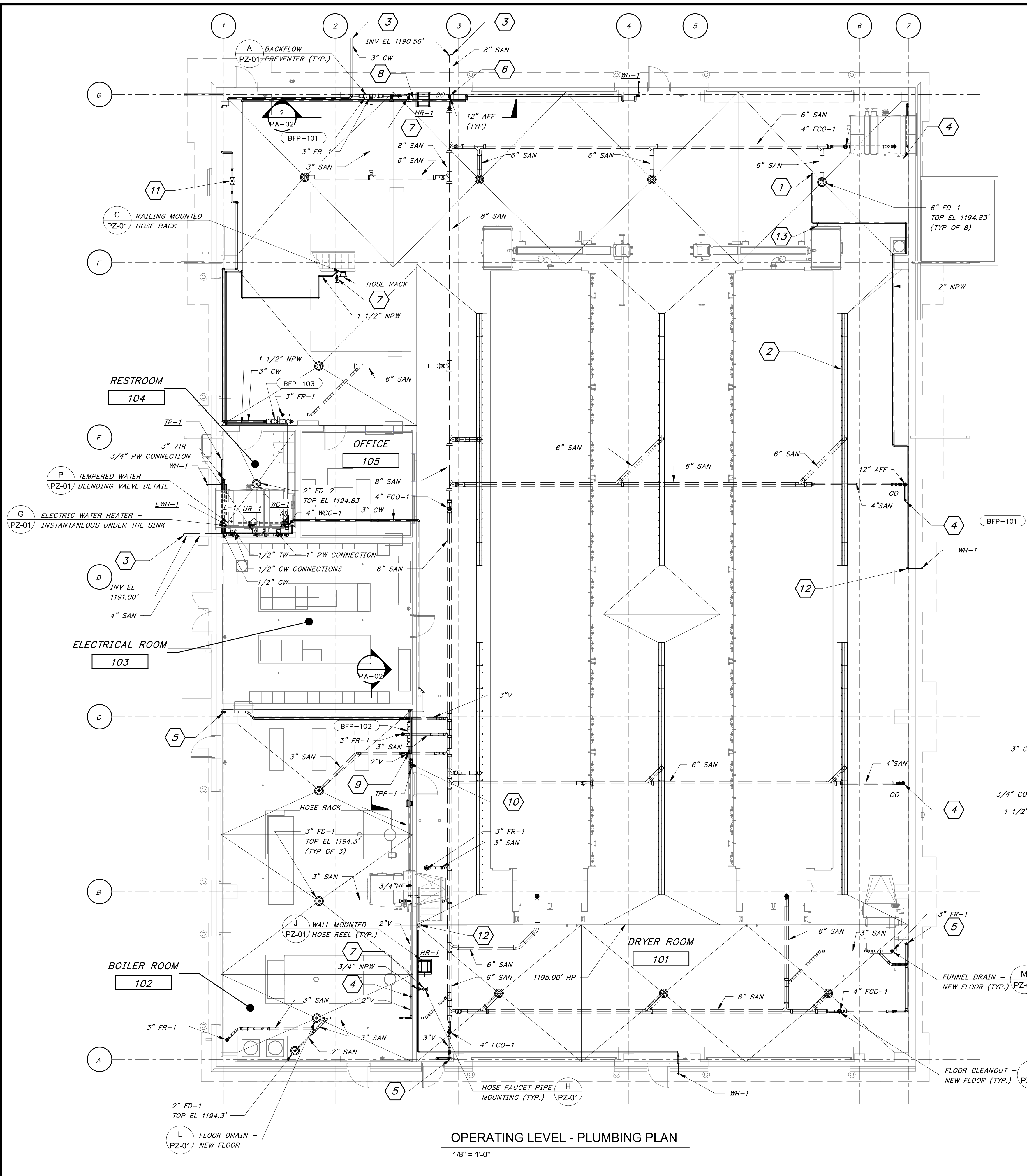
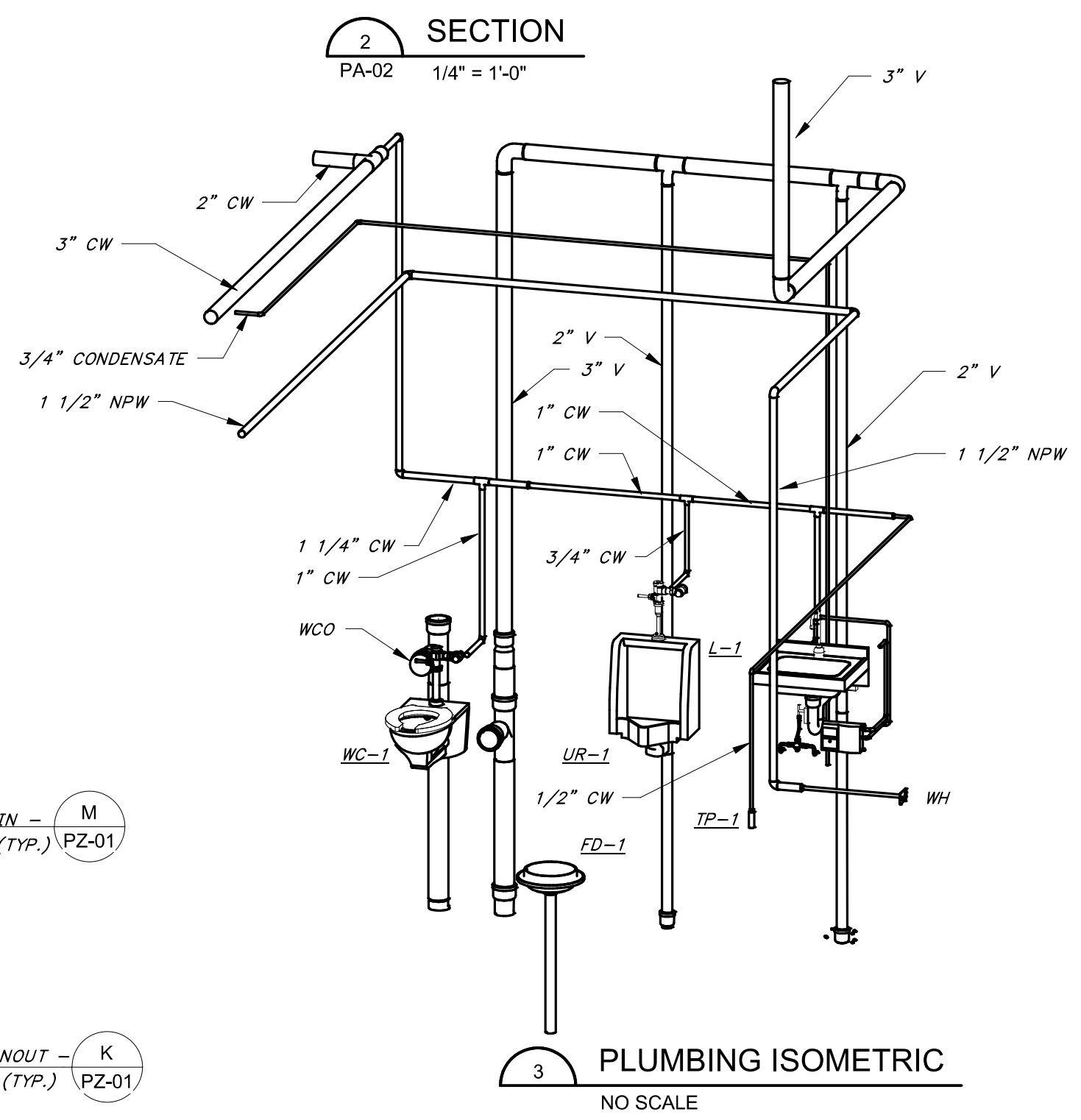
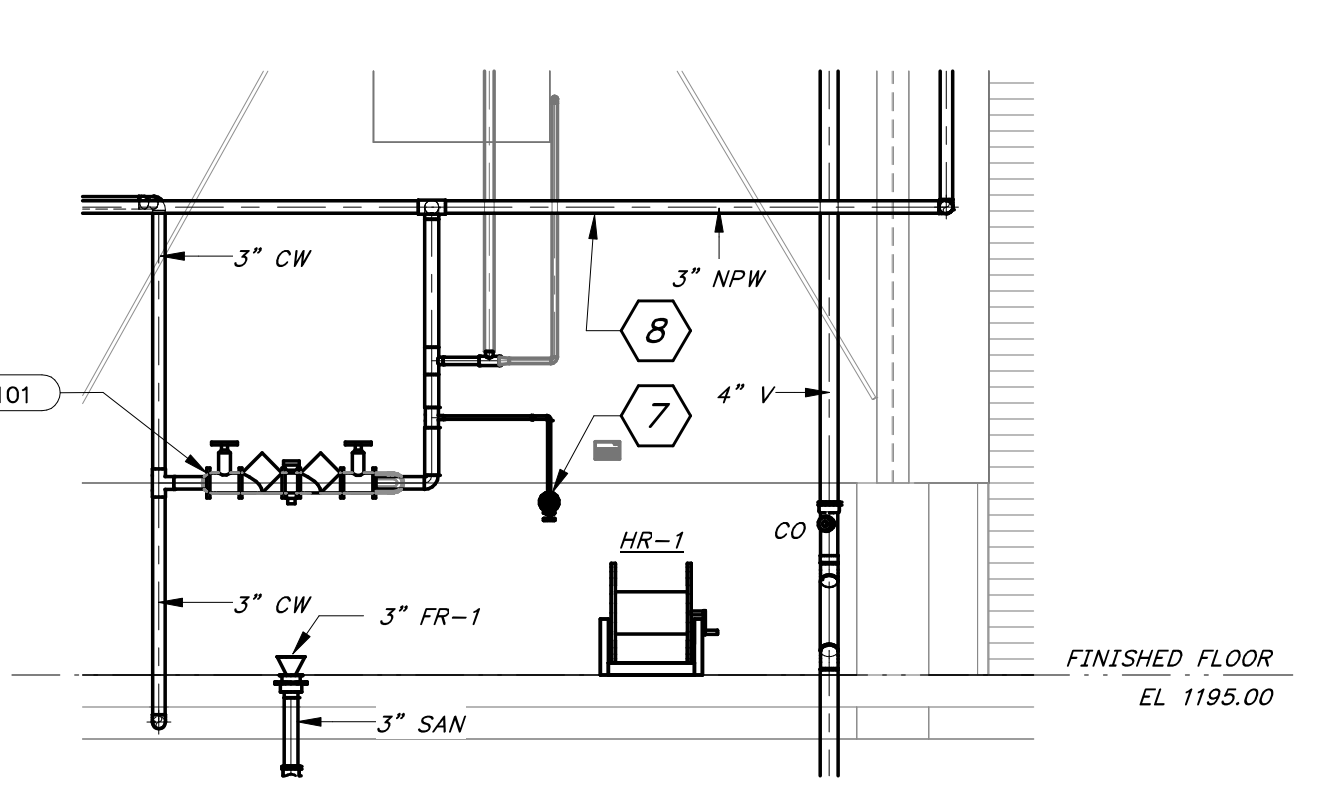
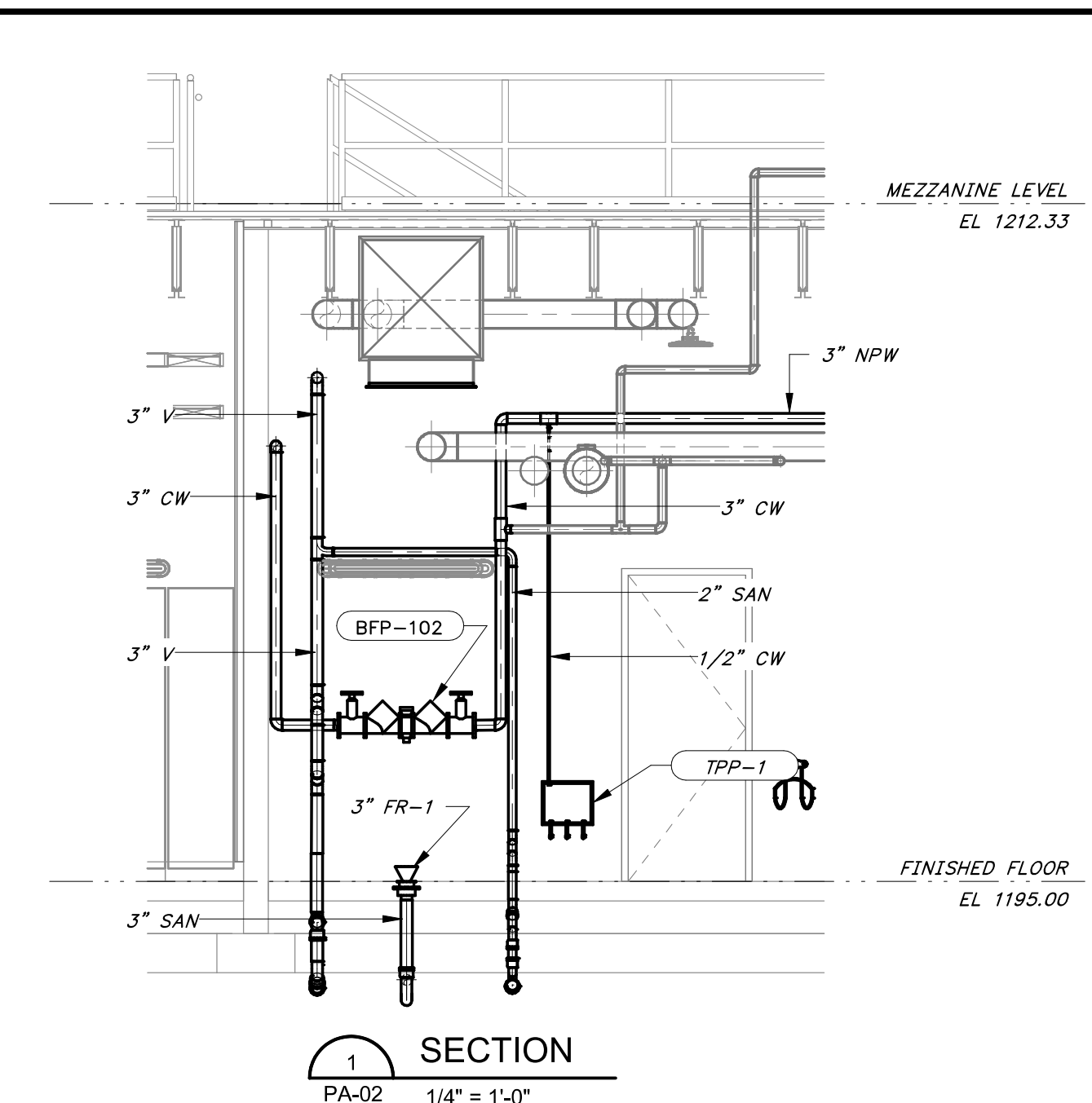


8/26/2024 4:40:08 PM / RLG / PLUMBING

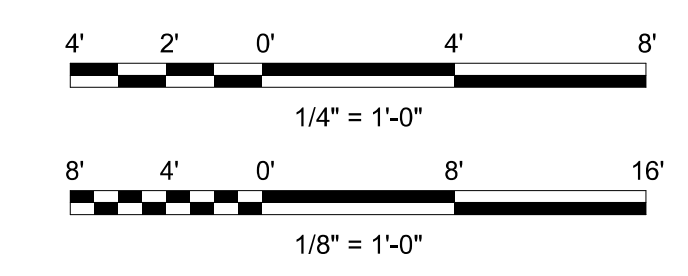
Autodesk Docs: //406493 - Rogers PCF Solids Phase 2/406493-Solids Building-BV.rvt



OPERATING LEVEL - PLUMBING PLAN
1/8" = 1'-0"



PLUMBING ISOMETRIC
NO SCALE



- GENERAL SHEET NOTES**
- SEE SHEET NO. MA-02 FOR 3" CW CONNECTION POINT FOR DRYER EMERGENCY COOLING SYSTEM.
 - SEE SHEET NO. MA-01 FOR 2" NPW CONNECTION POINT FOR CONTINUATION MAKE-UP WATER STATION SUPPLY.
 - SEE SHEET NO. MA-01 FOR 2" NPW CONNECTION POINT FOR HEAT EXCHANGER CLEANING AND DRYER BELT CLEANING DEVICE.
 - SEE SHEET NO. MA-01 FOR 1-1/2" NPW CONNECTION POINTS FOR EXTRUDER SINK.
- SHEET KEYNOTES**
- 2" NPW FEED FROM DRYER EMERGENCY COOLING WATER SYSTEM
 - 8" TD-1 (1 METER LONG, 11 SECTIONS PER RUN (TYP OF 6)
 - REFERENCE SHEET NO. C-4 FOR CONT.
 - 2" V UP TO 3" VTR
 - 3" V UP TO 3" VTR
 - 4" V UP TO 4" VTR
 - 1 1/2" HOSE VALVE
 - DRYER EMERGENCY COOLING SYSTEM CONNECTION. SEE GENERAL SHEET NOTE 1.
 - MAKE-UP WATER STATION SUPPLY CONNECTION. SEE GENERAL SHEET NOTE 2.
 - 1/2" PIPING CONTINUED TO FLOOR DRAIN TRAP PRIMER CONNECTIONS (TYP OF 3)
 - OWNER PROVIDED 2" WATER METER
 - HEAT EXCHANGER CLEANING AND DRYER BELT CLEANING DEVICE CONNECTION. SEE GENERAL SHEET NOTE 3.
 - EXTRUDER SINK CONNECTION. SEE GENERAL SHEET NOTE 4.

DATE	
REVISION	
ROGERS, ARKANSAS ROGERS POLLUTION CONTROL FACILITY (PCF) SOLIDS HANDLING IMPROVEMENTS, PHASE II	
PLUMBING PLAN SOLIDS BUILDING FOR: ROGERS WATER UTILITIES	
DATE:	AUGUST 2024
SCALE:	AS SHOWN
DESIGNED BY:	DBR
DRAWN BY:	RLG
HWET NO.:	2020043
FILENAME:	
SHEET NO. PA-02	