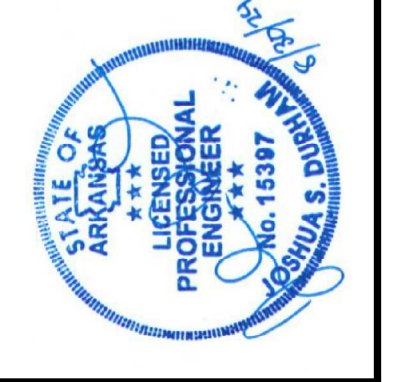


ONE INCH AT FULL SIZE IF NOT ONE INCH SCALE ACCORDINGLY

- NOTES:
- ALL ABOVE GRADE PIPING SHALL BE HEAT TRACED AND INSULATED.
 - CONNECT 2" NPW-PVC TO THE WASH SYSTEM ON THE SCREENING UNIT IN ACCORDANCE WITH THE MANUFACTURER'S INSTRUCTION.
 - PAINT ALL ABOVE GRADE DUCTILE IRON PIPING IN ACCORDANCE WITH SPECIFICATION SECTION 09940.
 - PIPE SUPPORTS SHALL BE IN ACCORDANCE WITH SPECIFICATION SECTION 15140.
 - OIL AND GREASE INTERCEPTER SHALL BE GMC/OMC 5000 (2) BY ZURN OR APPROVED EQUAL. OIL AND GREASE INTERCEPTER SHALL BE INSTALLED WITH CONCRETE ANTI-BOUANCY SLAB. THE ANTI-BOUANCY SLAB SHALL CONTAIN A MINIMUM OF 6 CY OF CONCRETE PER TANK. SEE SPECIFICATION 15400 FOR ADDITIONAL REQUIREMENTS.
 - DRAWINGS ARE BASED ON THE SAVI-BEAST BY SAVECO. THE SPECIFIC LAYOUT OF OTHER MANUFACTURER'S SYSTEMS MAY VARY AND IS TO BE CONFIRMED AS PART OF THE SUBMITTAL PROCESS.

DATE	REVISION



HAWKINS WEIR ENGINEERS, INC.

BLACK & VEATCH

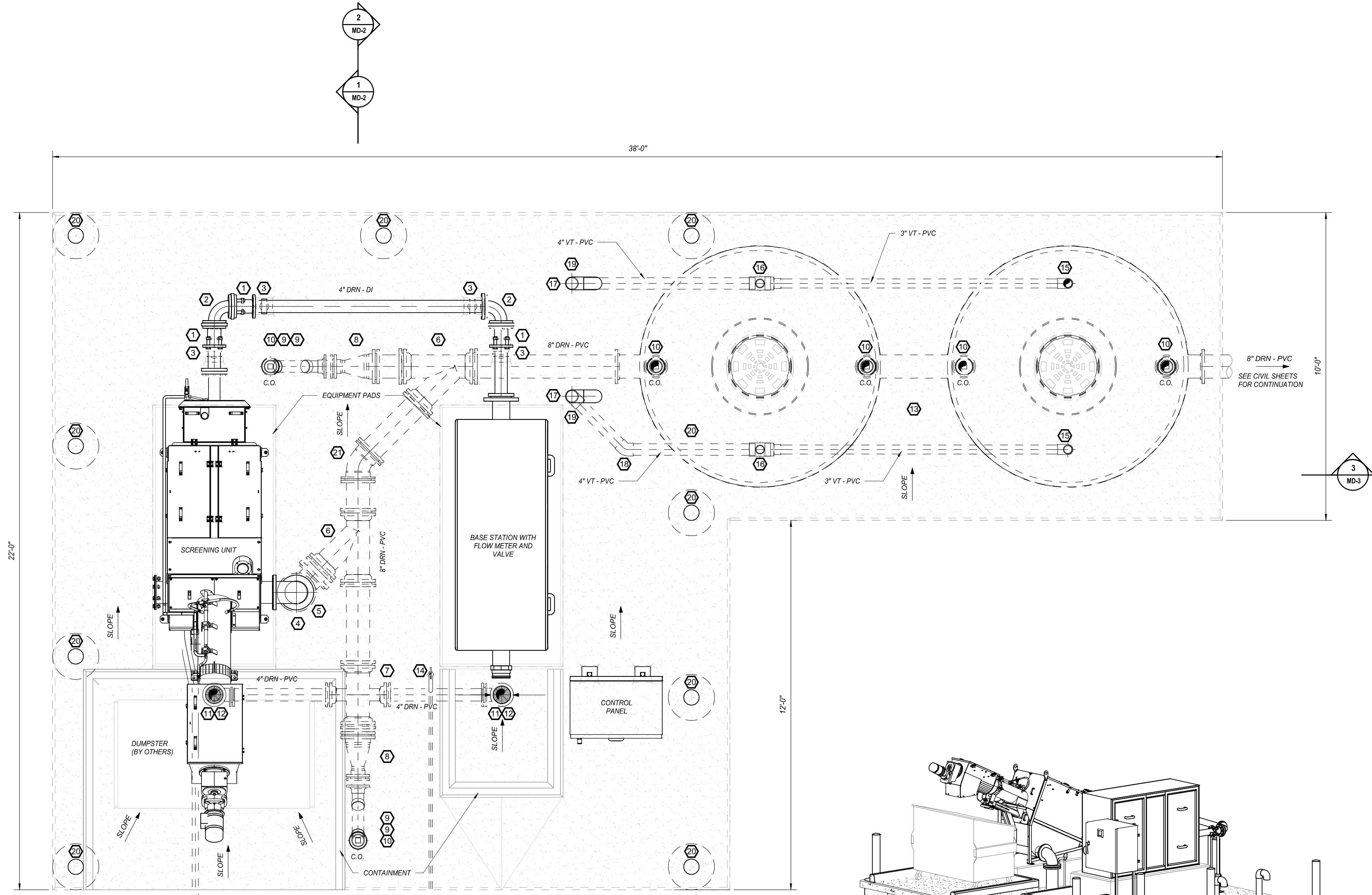
ROGERS, ARKANSAS
ROGERS POLLUTION CONTROL FACILITY (PCF)
SOLIDS HANDLING IMPROVEMENTS, PHASE II

SEPTIC RECEIVING STATION DETAIL

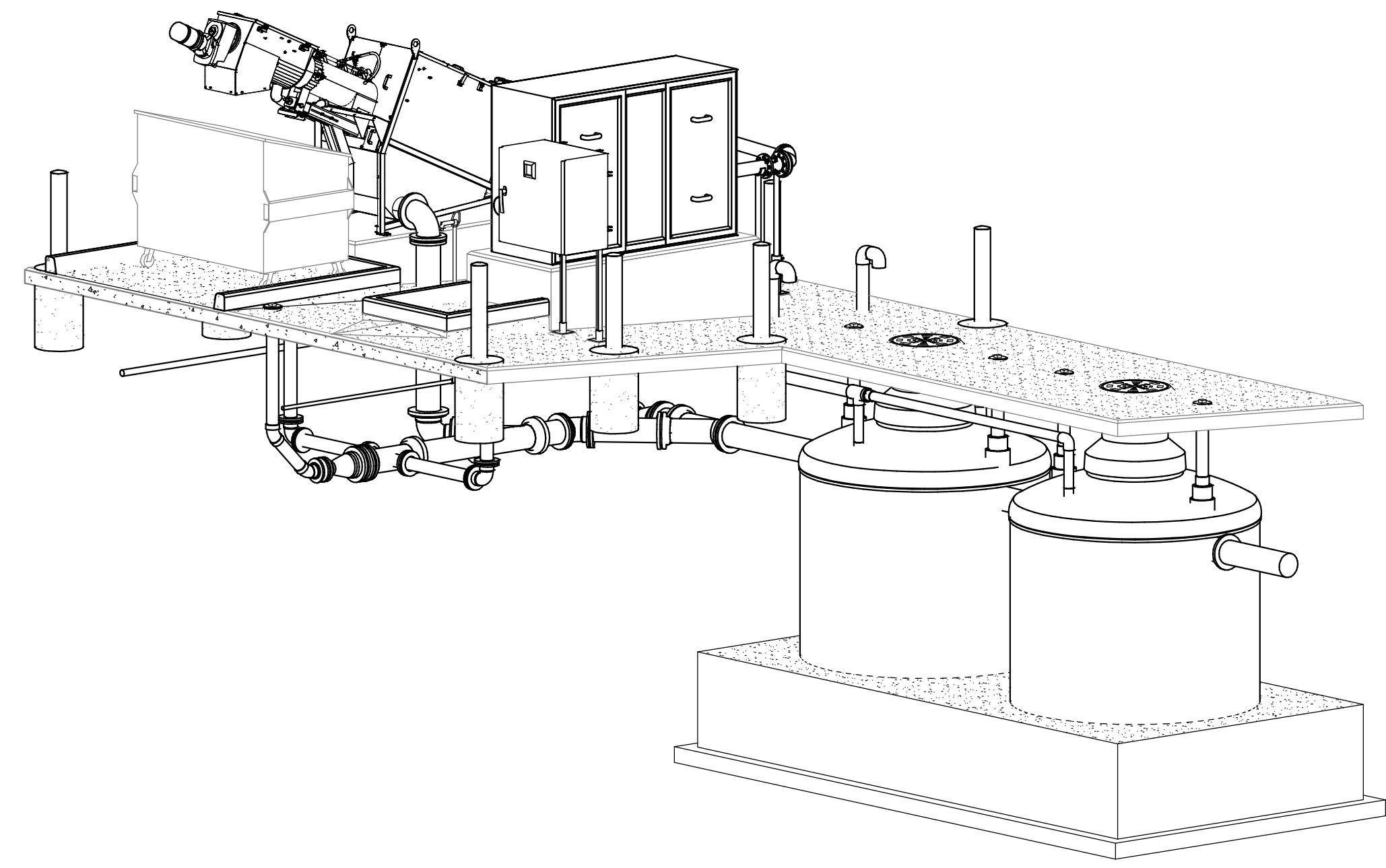
FOR: ROGERS WATER UTILITIES

DATE: AUGUST 2024
SCALE: 1/2" = 1'-0"
DESIGNED BY: JSD
DRAWN BY: DS
HWEI NO.: 2020043
FILE NAME: SEPTIC RECV STATION

SHEET NO. MD-1



- KEYED NOTES:
- INSTALL 4" FLANGE COUPLING ADAPTER
 - INSTALL 4" FLANGED 90° BEND
 - INSTALL ADJUSTABLE PIPE SUPPORT
 - INSTALL 8" FLANGED 90° BEND
 - INSTALL 8" MJ 90° BEND
 - INSTALL 8" MJ WYE
 - INSTALL 8" x 8" x 4" x 4" MJ CROSS
 - INSTALL 8" x 4" REDUCER
 - INSTALL 4" 45° BEND
 - INSTALL 4" CLEANOUT
 - INSTALL 4" 90° BEND
 - INSTALL 4" FLOOR DRAIN
 - INSTALL TWO (2) TANK GREASE INTERCEPTOR
 - INSTALL 1" FREEZE PROOF YARD HYDRANT
 - INSTALL SCH 40 3" PVC 90° BEND
 - INSTALL SCH 40 4" x 3" PVC TEE WITH 4" x 3" PVC REDUCER
 - INSTALL 4" PVC GOOSENECK VENT WITH STAINLESS STEEL INSECT SCREEN
 - INSTALL SCH 40 4" PVC 45° BEND
 - INSTALL SCH 40 4" PVC 90° BEND
 - INSTALL STEEL BOLLARD
 - INSTALL 8" MJ 45° BEND



ISOMETRIC/3D
DO NOT SCALE

DETAIL
1/2" = 1'-0"
A