

8/27/2024 9:18:01 AM / JCD / BOILER ROOM ENLARGED PLAN

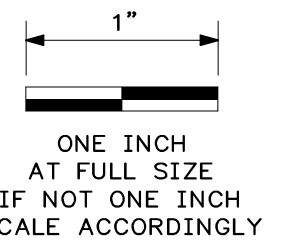
Autodesk Docs: //406493 - Rogers PCF Solids Phase 2/406493-Solids Building-BV.rvt

GENERAL SHEET NOTES:

- 1. SEE PROCESS FLOW DIAGRAMS FOR EQUIPMENT SUPPLIED BY THE THERMAL SLUDGE DRYING SYSTEM SUPPLIER.
- 2. CONTRACTOR SHALL PROVIDE INSULATION FOR THERMAL DRYER WATER PIPING, INCLUDING HWS, HWR, AND AIR SYSTEMS.

KEYED NOTES:

- ① CONTRACTOR TO FIELD ROUTE GAS TRAIN VENTS TO THE ROOF.
- ② NG AND EXPOSED AIR PIPING SHALL BE SLOPED 1% WHEN SLOPE IS IN DIRECTION OF THE FLOW, AND 2% WHEN SLOPE IS IN THE OPPOSITE DIRECTION OF THE FLOW.
- ③ SEE SHEET NO. SA-05 AND SA-06 FOR EQUIPMENT SUPPORT DETAILS.



DATE	REVISION

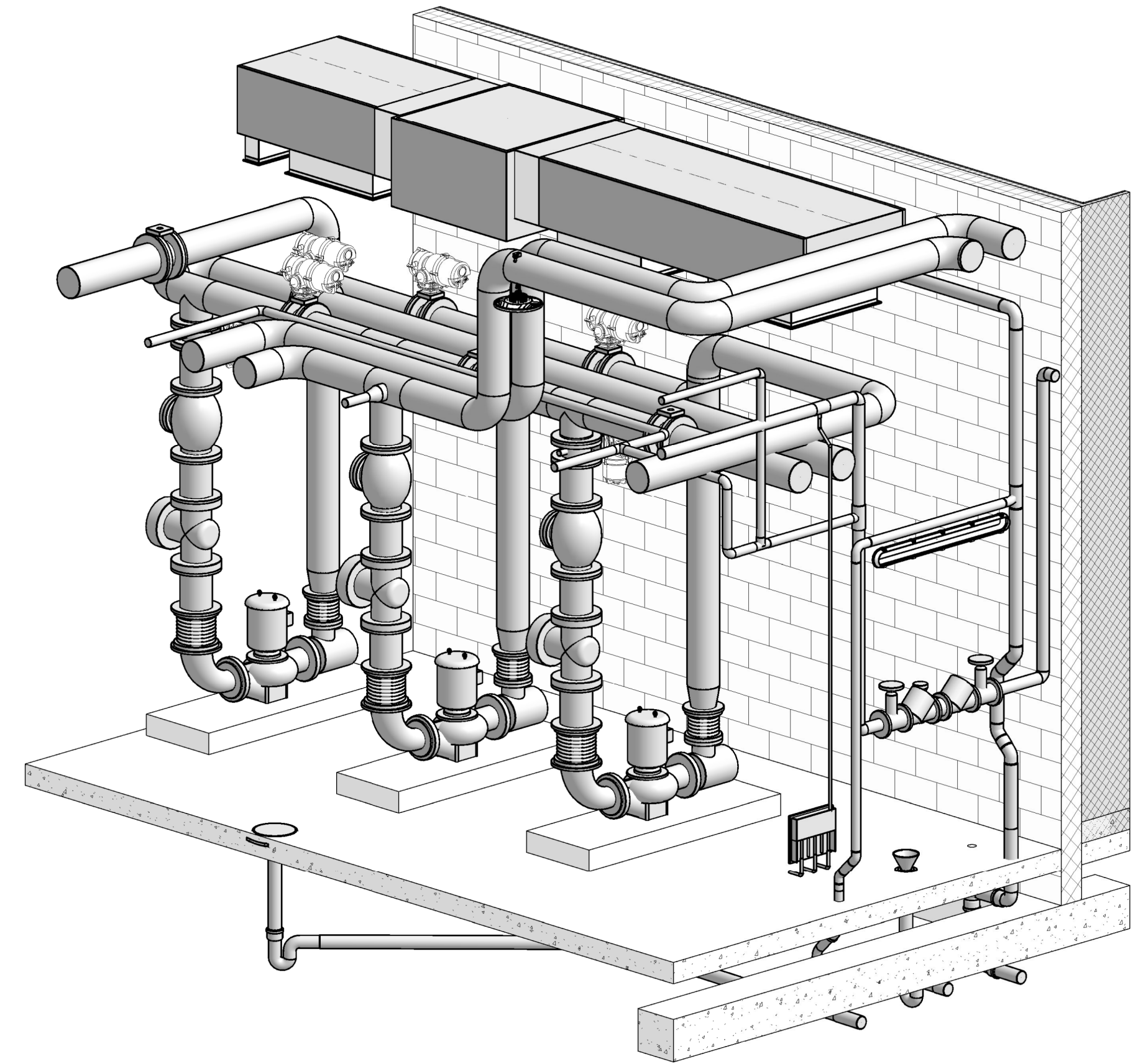
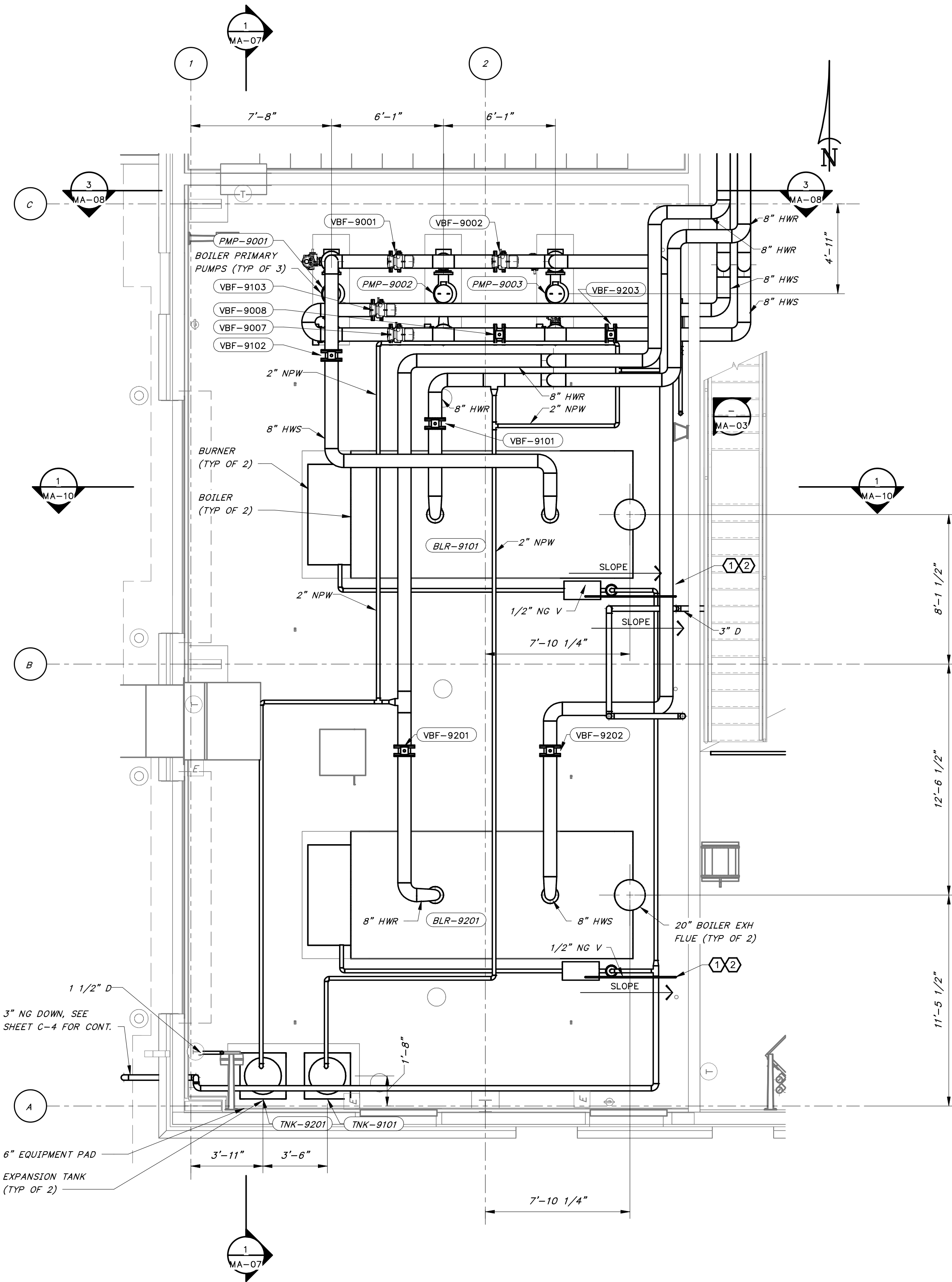


HAWKINS-WEIR ENGINEERS, INC.
BLACK & VEATCH

ROGERS, ARKANSAS
 ROGERS POLLUTION CONTROL FACILITY (PCF)
 SOLIDS HANDLING IMPROVEMENTS, PHASE II
BOILER ROOM ENLARGED PLAN (FLOOR LEVEL)
 FOR: ROGERS WATER UTILITIES

DATE: AUGUST 2024
 SCALE: As indicated
 DESIGNED BY: KJU/MNH
 DRAWN BY: JCD
 HWEI NO.: 2020043
 FILENAME:

SHEET NO.
MA-03



BOILER ROOM
 DETAIL 1
 1/4" = 1'-0"

