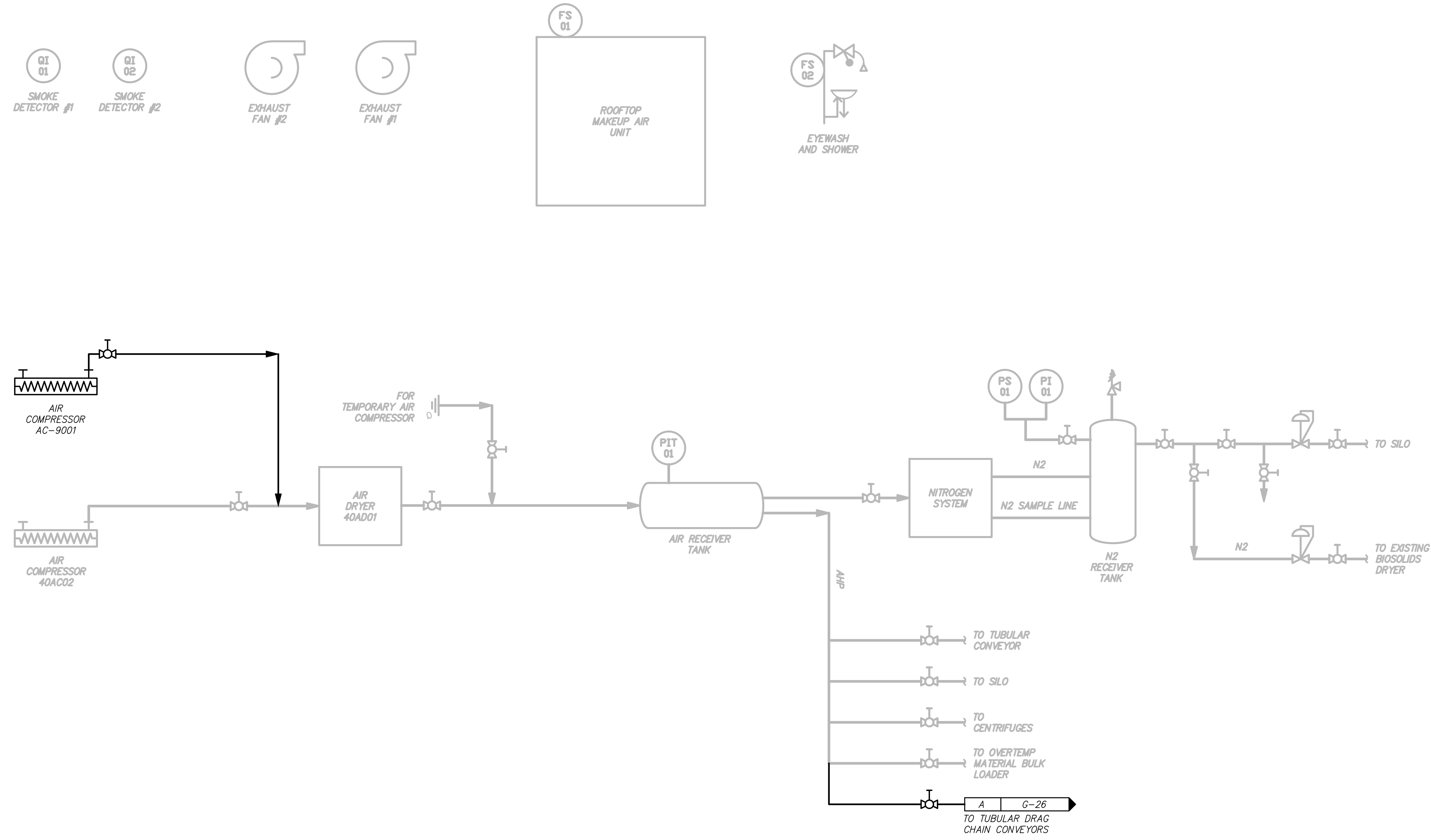


C:\USERS\RAMB301\APPDATA\LOCAL\AUTODESK\AUTOCAD PLANT 3D\COLLABORATION\CACHE\406493\PID.DWG\G-28.DWG 8/21/2024 4:29 PM. RAMSEY, AUSTIN W. LAYOUT



1"
ONE INCH
AT FULL SIZE
IF NOT ONE INCH
SCALE ACCORDINGLY

REVISION	DATE



HAWKINS WEIR ENGINEERS, INC.
BLACK & VEATCH

ROGERS, ARKANSAS
 ROGERS POLLUTION CONTROL FACILITY (PCF)
 SOLIDS HANDLING IMPROVEMENTS, PHASE II
**PROCESS FLOW DIAGRAM
 AIR SYSTEM**
 FOR: ROGERS WATER UTILITIES

DATE: AUGUST 2024
 SCALE: NONE
 DESIGNED BY: KJJ
 DRAWN BY: AWR
 HWEI NO.: 2020043
 FILENAME:

SHEET NO.
G-28