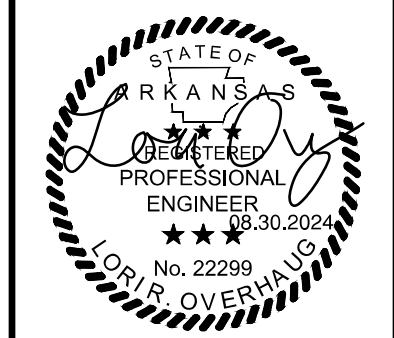


ONE INCH
AT FULL SIZE
IF NOT ONE INCH
SCALE ACCORDINGLY

DATE	
REVISION	

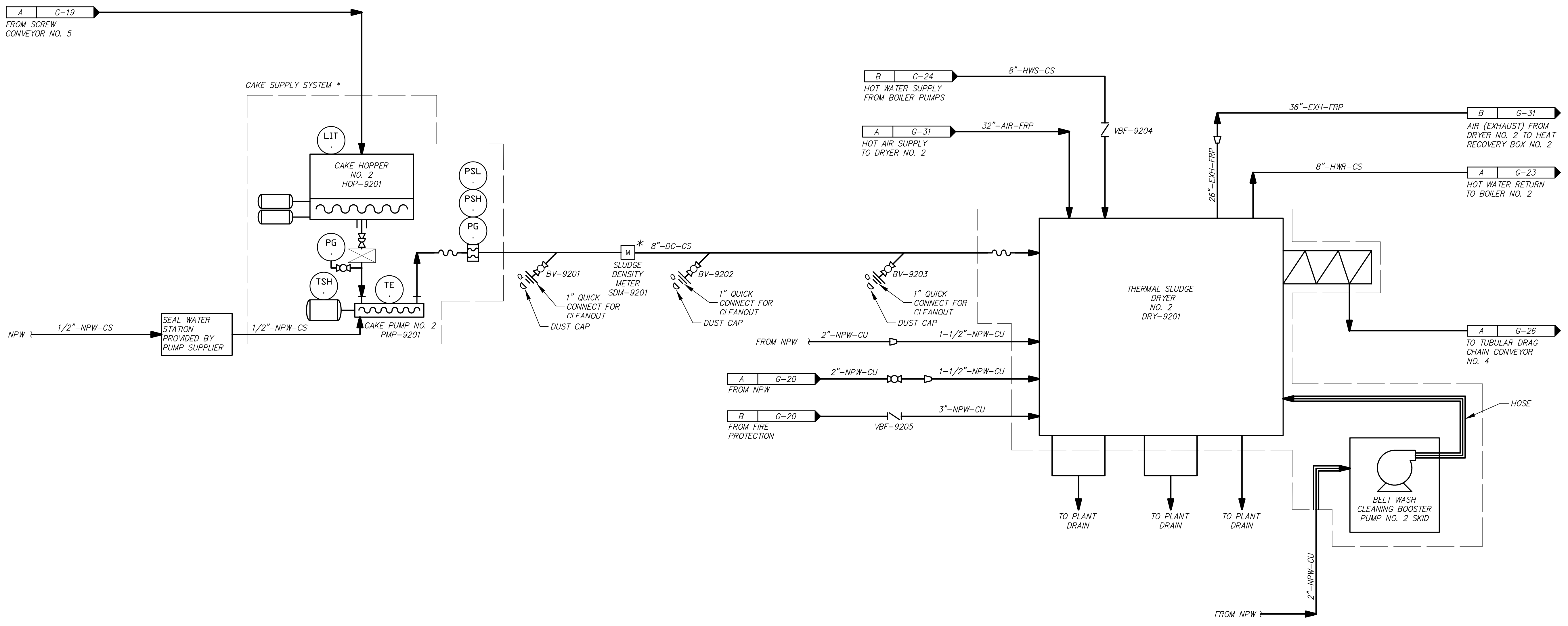


HAWKINS WEIR ENGINEERS, INC.
BLACK & VEATCH

ROGERS, ARKANSAS
ROGERS POLLUTION CONTROL FACILITY (RCF)
SOLIDS HANDLING IMPROVEMENTS, PHASE II
PROCESS FLOW DIAGRAM
BIN, CAKE PUMP NO. 2 AND DRYER NO. 2
FOR: ROGERS WATER UTILITIES

DATE: AUGUST 2024
SCALE: NONE
DESIGNED BY: MNH
DRAWN BY: AWR
HWEI NO.: 2020043
FILENAME:

SHEET NO.
G-21



GENERAL NOTES:
1. ALL ITEMS MARKED WITH AN ASTERISK OR INDICATED BY A DASHED OUTLINE SHALL BE PROVIDED AS PART OF THE THERMAL SLUDGE DRYER SYSTEM BY THE SUPPLIER UNDER APPENDIX A OF THE SPECIFICATIONS.

C:\USERS\RAMB3010\APPDATA\LOCAL\AUTODESK\AUTOCAD PLANT 3D\COLORBROWSE\CACHE\406493\PID.DWG\G-21.DWG... 8/26/2024 8:29 PM... RAMSEY, AUSTIN W. LAYOUT