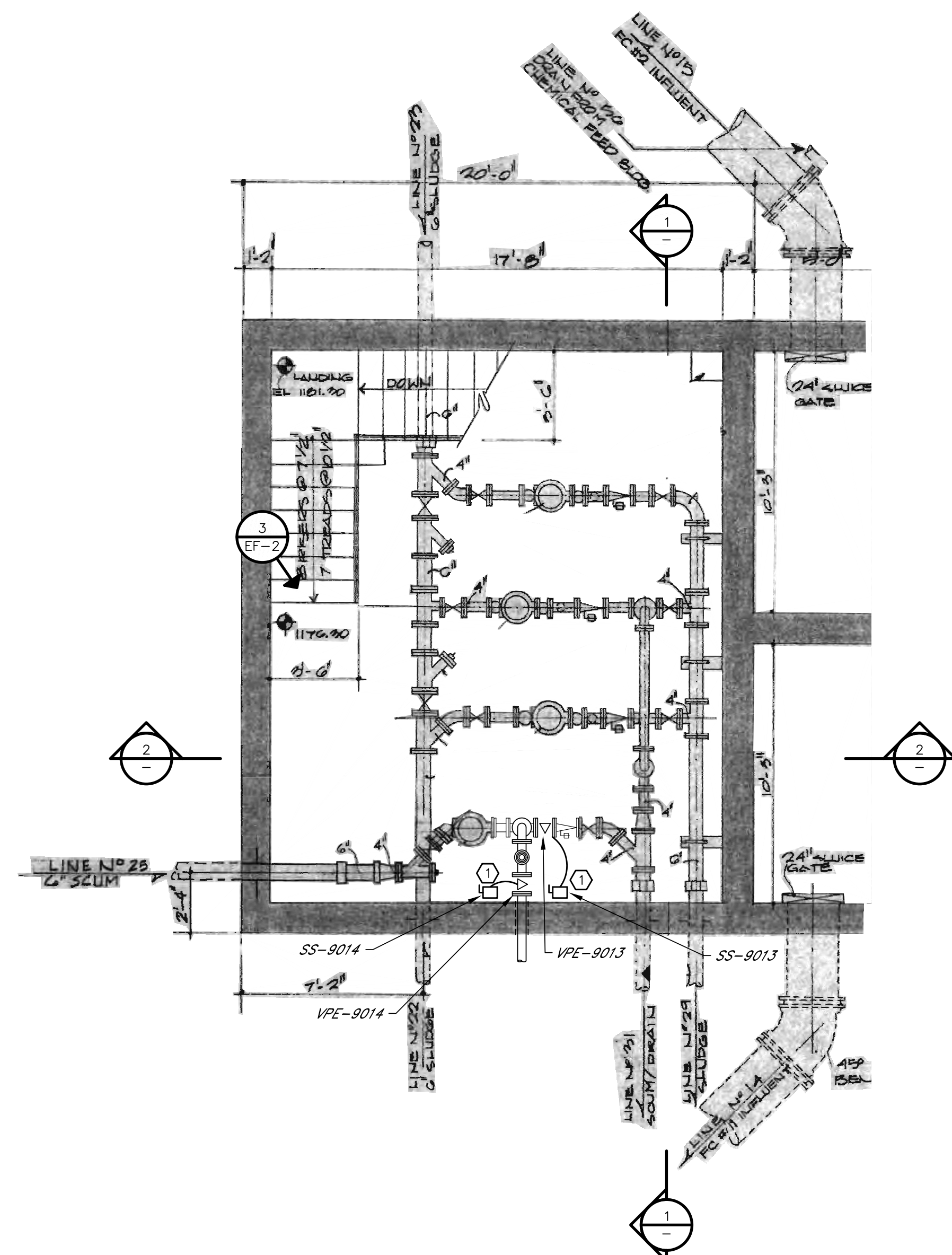
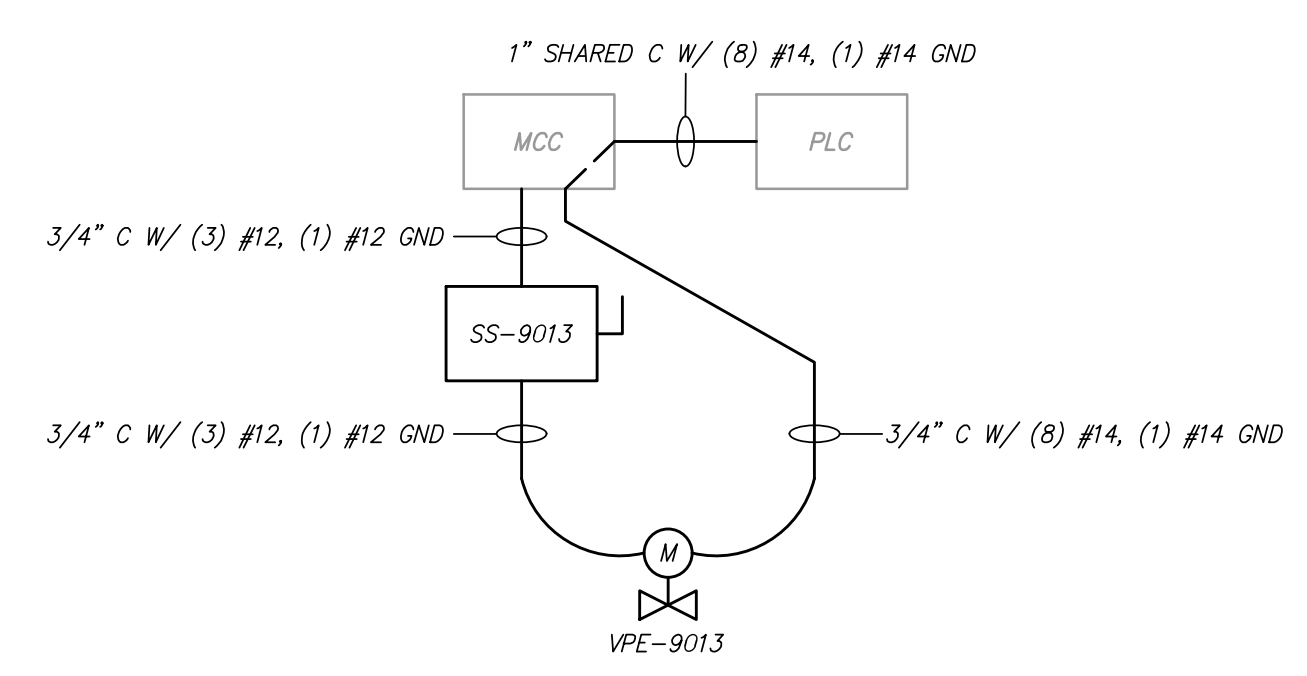


Z:\20\2020043 ROGERS SOLIDS HANDLING IMPROVEMENTS, PH. 2\DRAWINGS\CONSTRUCTION DRAWINGS\WMP\EF-01.DWG, 8/26/2024 11:39 AM, MATT WEIR, EF-01



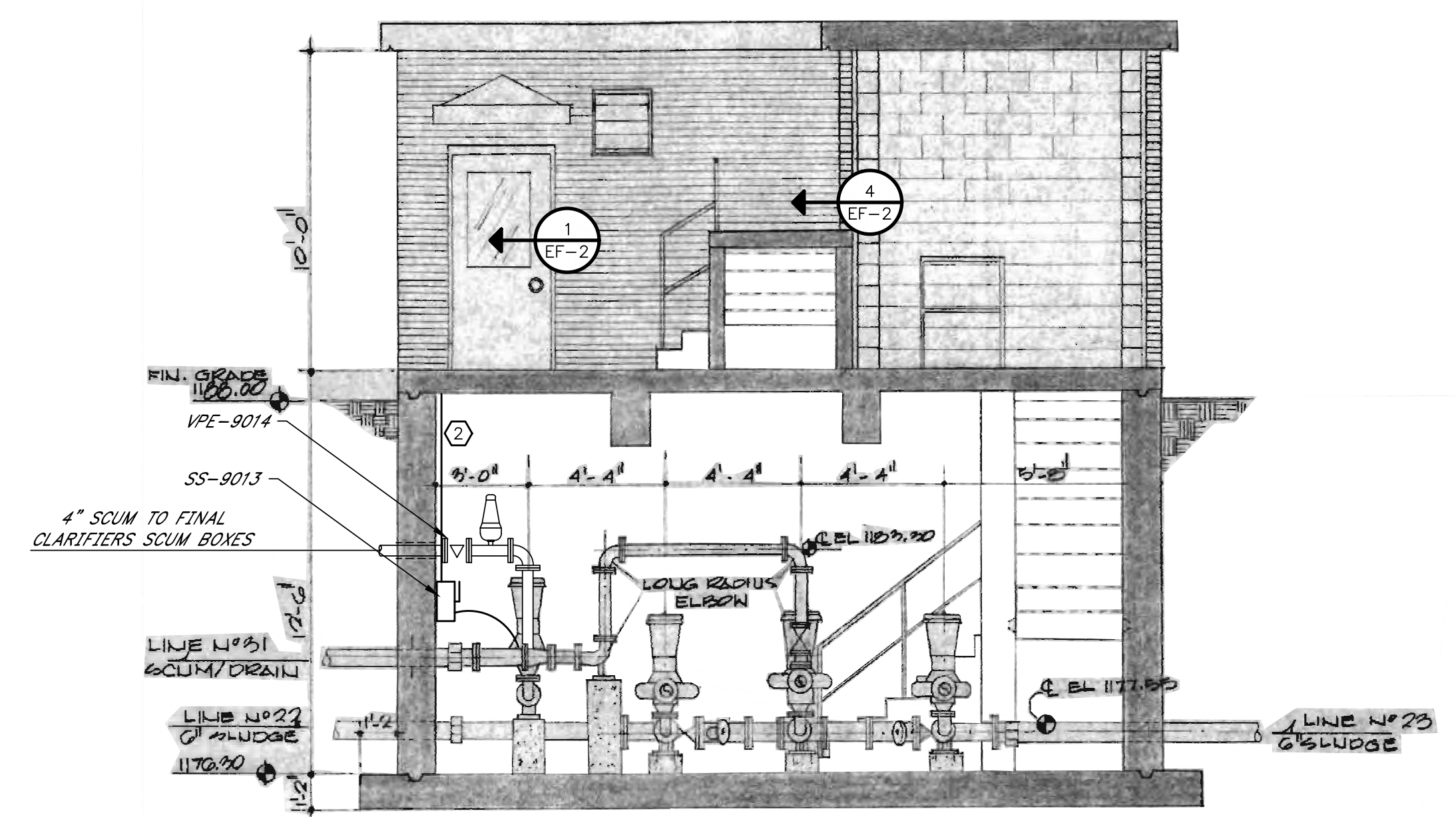
FINAL CLARIFIER DIVISION BOX AND PUMPING STATION PLAN

DETAIL A  
1/4" = 1'-0"

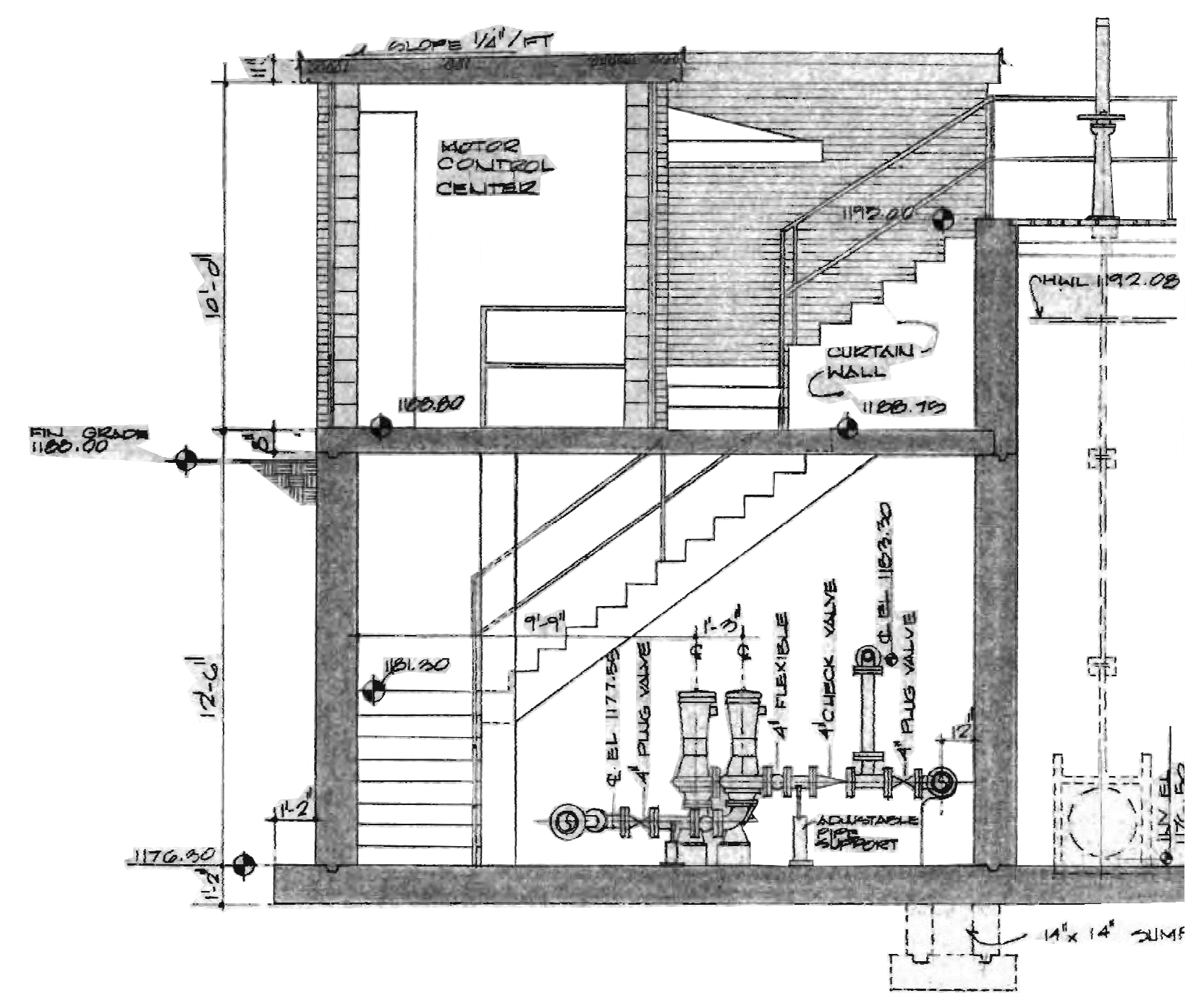


ELECTRIC VALVE ACTUATOR VPE-9013 RISER DIAGRAM (VPE-9014 SIMILAR)

DETAIL B  
-



SECTION 1  
1/4" = 1'-0"



SECTION 2  
1/4" = 1'-0"

- KEYED NOTES:
- PROVIDE AND INSTALL TWO (2) 30 AMP NEMA 4X STAINLESS STEEL SAFETY SWITCHES IN THE PUMP ROOM FOR PROPOSED ELECTRICAL VALVE ACTUATORS.
  - PROVIDE AND INSTALL CONDUITS FROM MCC AND PLC TO PROPOSED VALVE ACTUATORS PER RISER DIAGRAM. EXISTING SLAB BETWEEN MCC AND PUMP ROOM HAS OPEN SPACE FOR CONDUIT ENTRY. NO CORE DRILLING SHALL BE REQUIRED FOR CONDUITS BETWEEN MCC AND THE PUMP ROOM.

ONE INCH AT FULL SIZE IF NOT ONE INCH SCALE ACCORDINGLY

DATE	REVISION



**HAWKINS WEIR ENGINEERS, INC.**  
**BLACK & VEATCH**

ROGERS, ARKANSAS  
ROGERS POLLUTION CONTROL FACILITY (PCF) SOLIDS HANDLING IMPROVEMENTS, PHASE II  
FINAL CLARIFIER DIVISION BOX AND PUMPING STATION ELECTRICAL PLAN AND DETAILS  
FOR: ROGERS WATER UTILITIES

DATE: AUGUST 2024  
SCALE: AS SHOWN  
DESIGNED BY: LSM  
DRAWN BY: LSM  
HWET NO.: 2020043  
FILENAME: EF-01

SHEET NO.  
EF-1