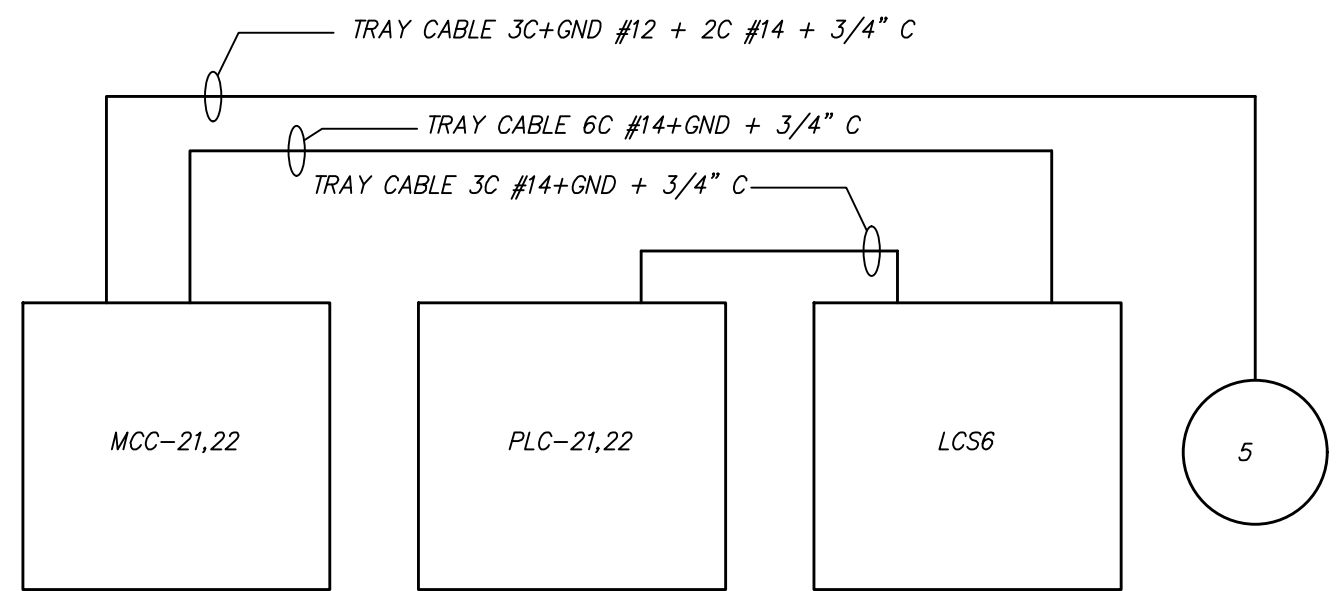
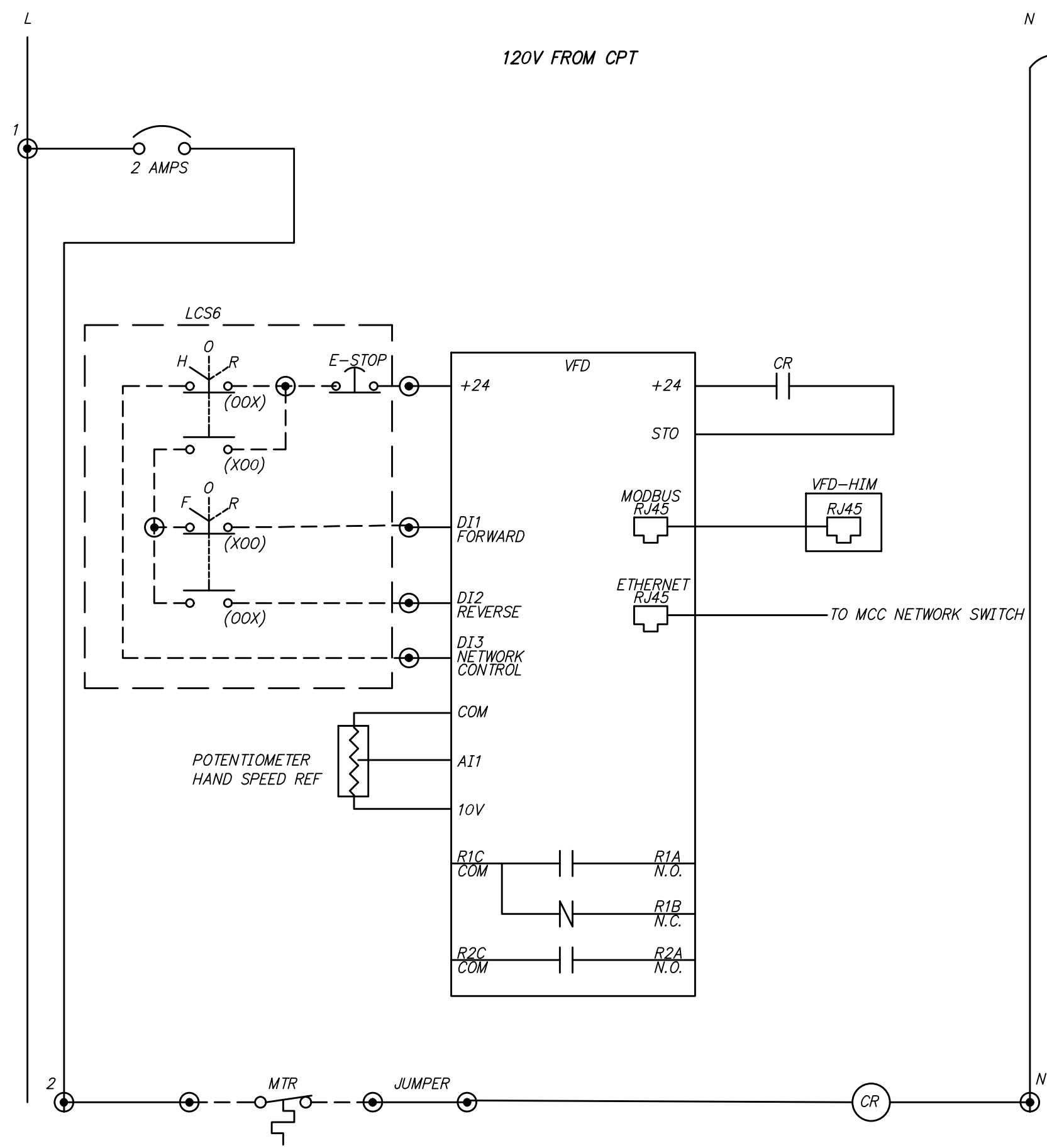


Z:\20\2020043 ROGERS SOLIDS HANDLING IMPROVEMENTS, PH 2\DRAWINGS\CONSTRUCTION DRAWINGS\WIP\EA-07.DWG, 8/26/2024 11:15 AM, MATT WEIR, LAYOUT

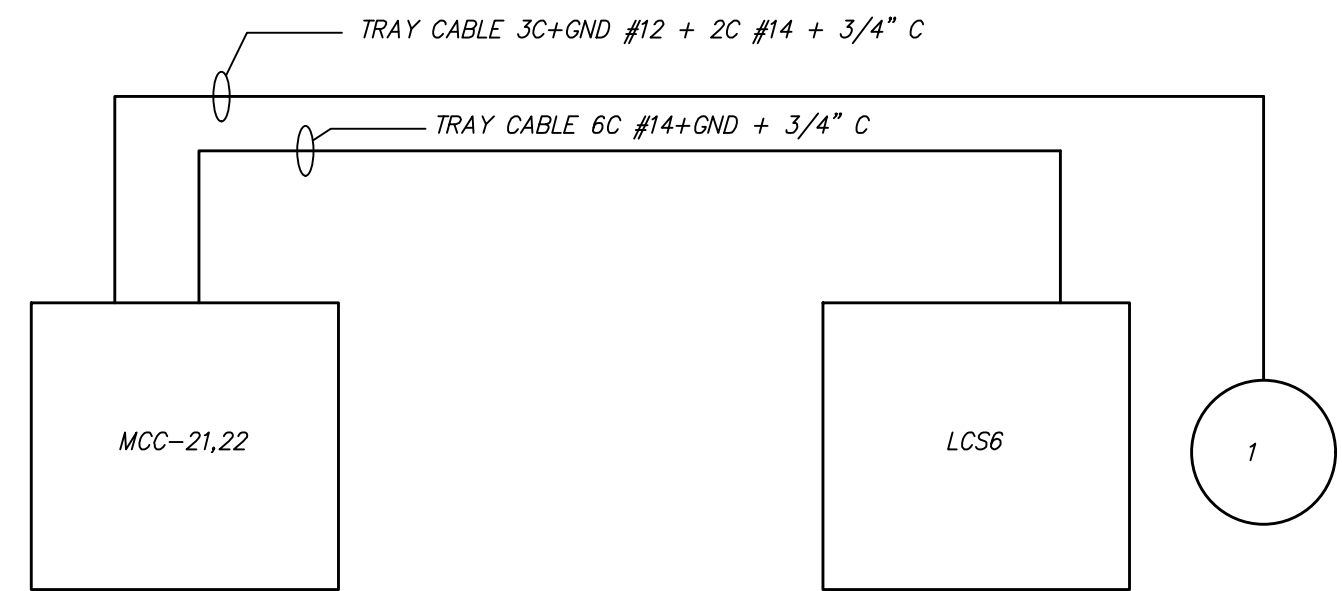
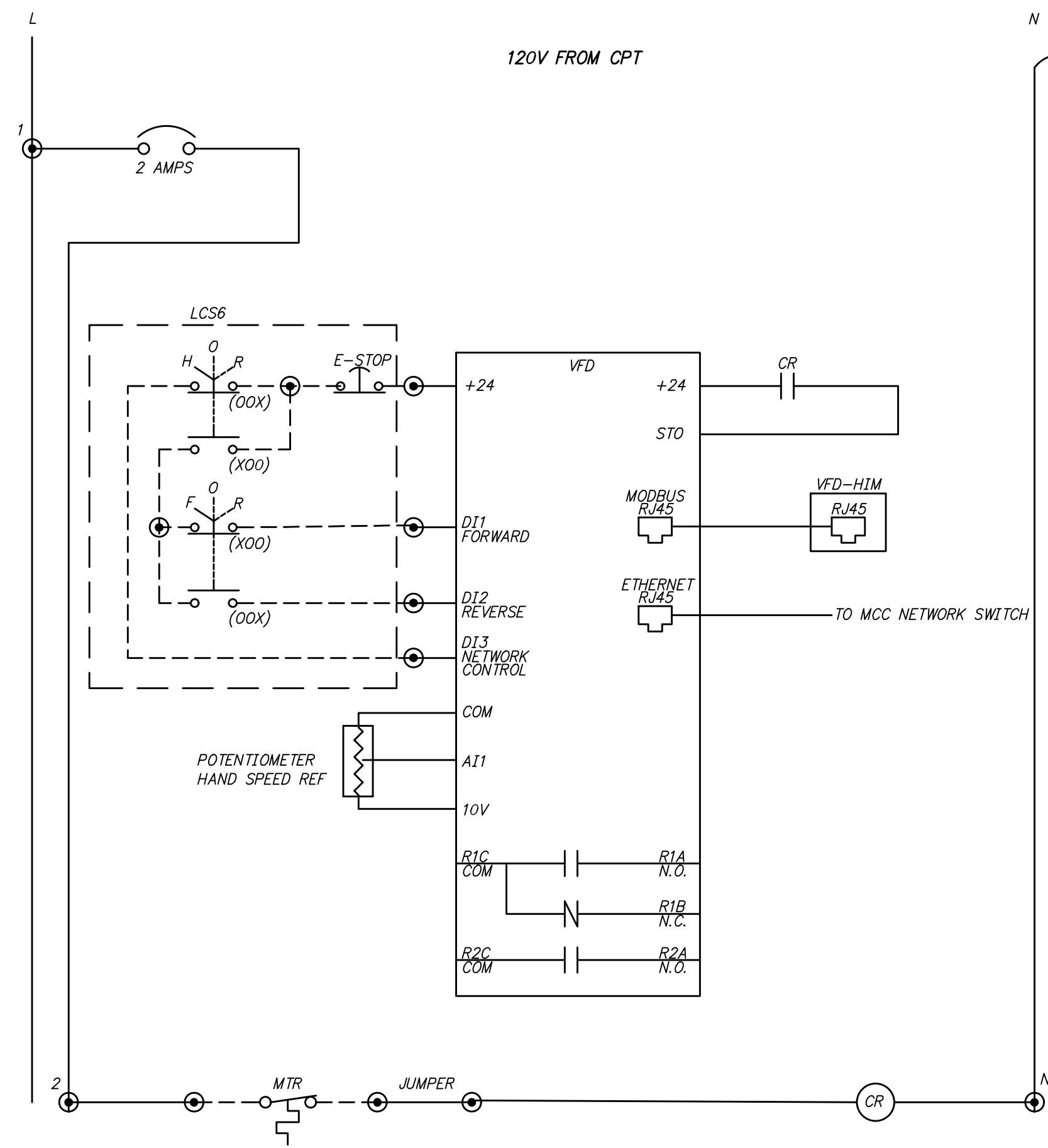


UPPER BELT DRIVE CONTROL AND RISER DIAGRAM (TYP OF 2)

DETAIL T

NTS

EA-2,3

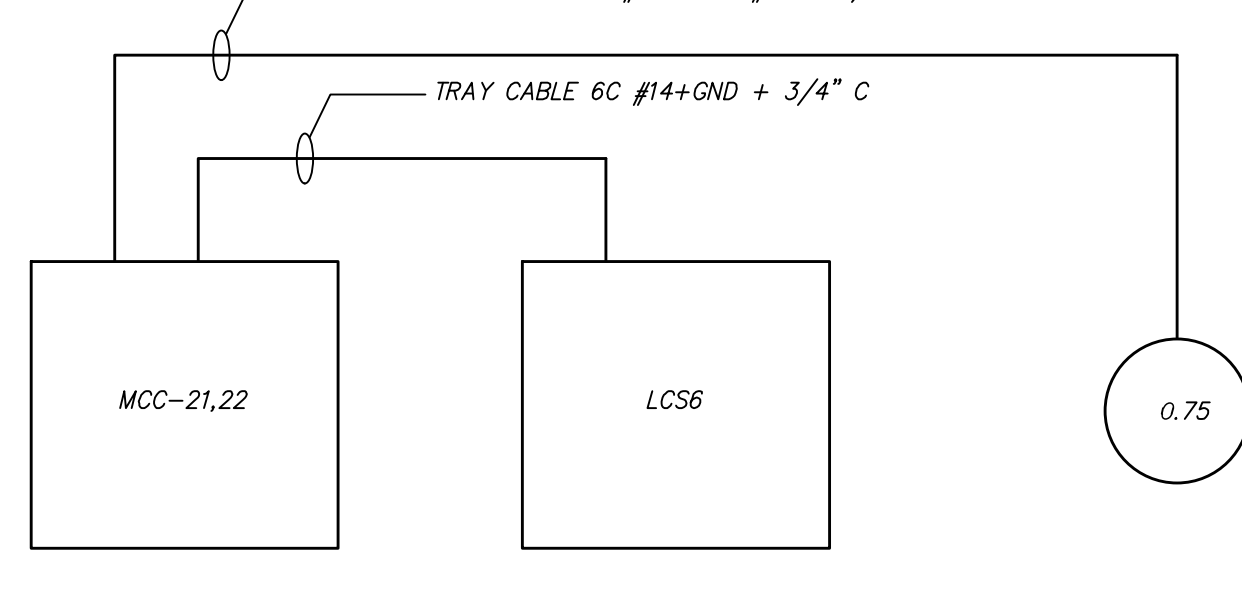
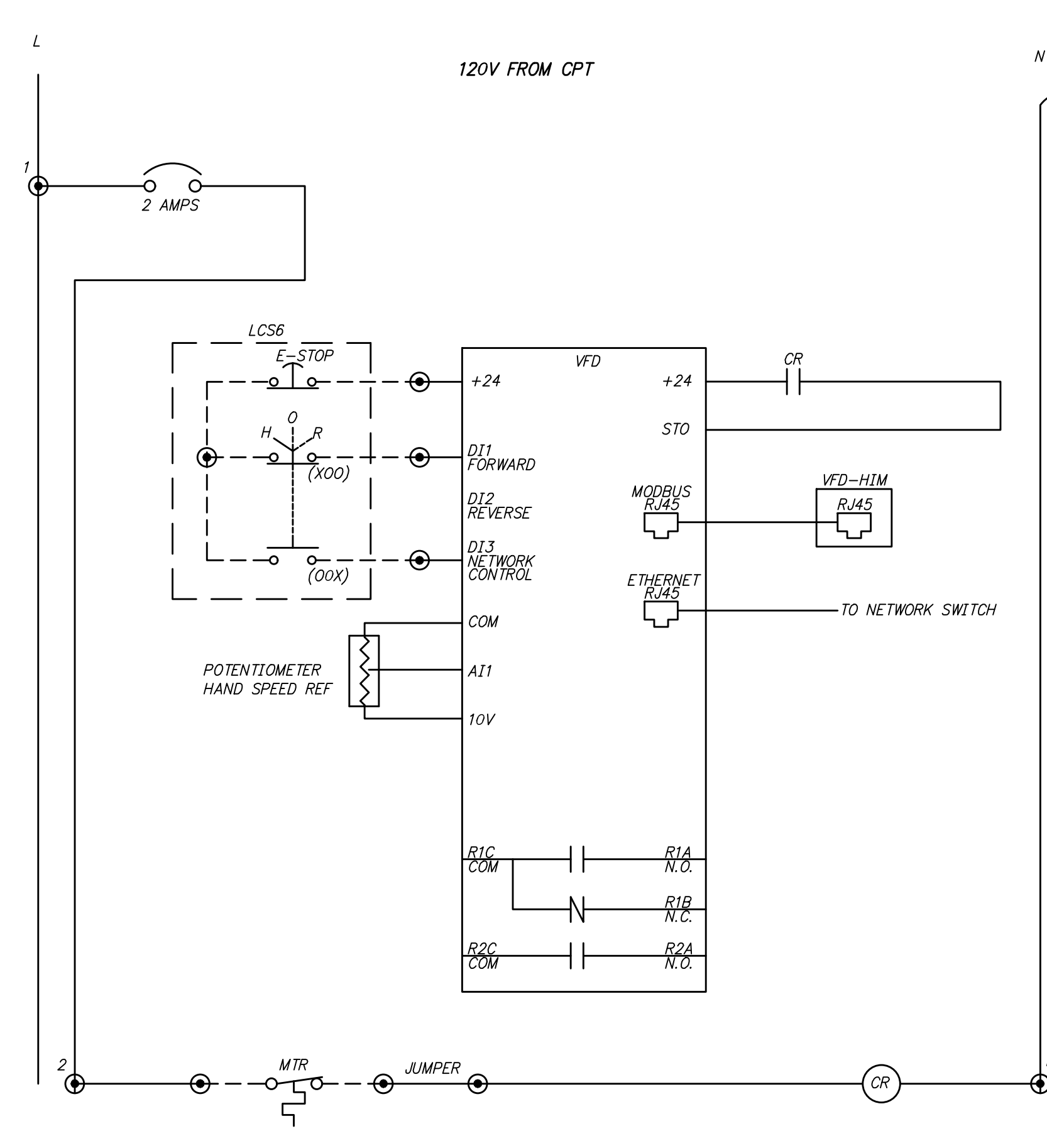


LOWER BELT DRIVE CONTROL AND RISER DIAGRAM

DETAIL U

NTS

EA-2,3



DISCHARGE FEED SCREW CONTROL AND RISER DIAGRAM

DETAIL V

NTS

EA-2,3

1"

ONE INCH AT FULL SIZE IF NOT ONE INCH SCALE ACCORDINGLY

DATE	REVISION



HAWKINS WEIR ENGINEERS, INC.

BLACK & VEATCH

ROGERS, ARKANSAS

ROGERS POLLUTION CONTROL FACILITY (PCF) SOLIDS HANDLING IMPROVEMENTS, PHASE II

DRYER MCC CONTROL AND RISER DIAGRAMS III

FOR: ROGERS WATER UTILITIES

DATE: AUGUST 2024

SCALE: NTS

DESIGNED BY: LSM

DRAWN BY: LSM

HWEI NO.: 2020043

FILENAME: EA-07

SHEET NO. EA-7