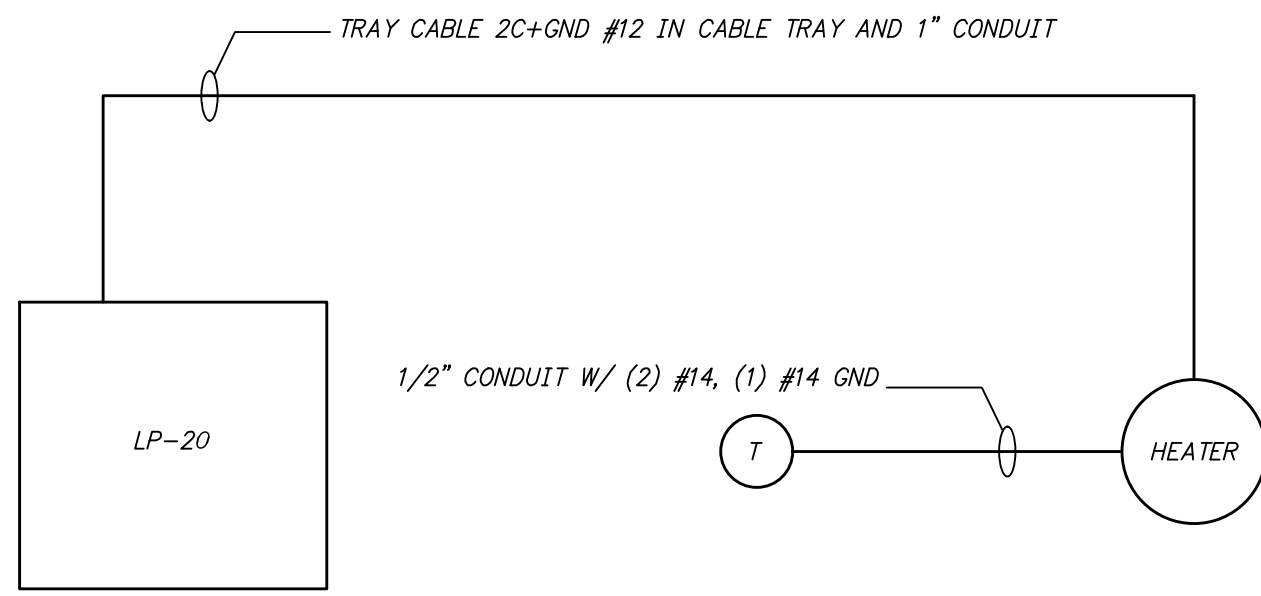
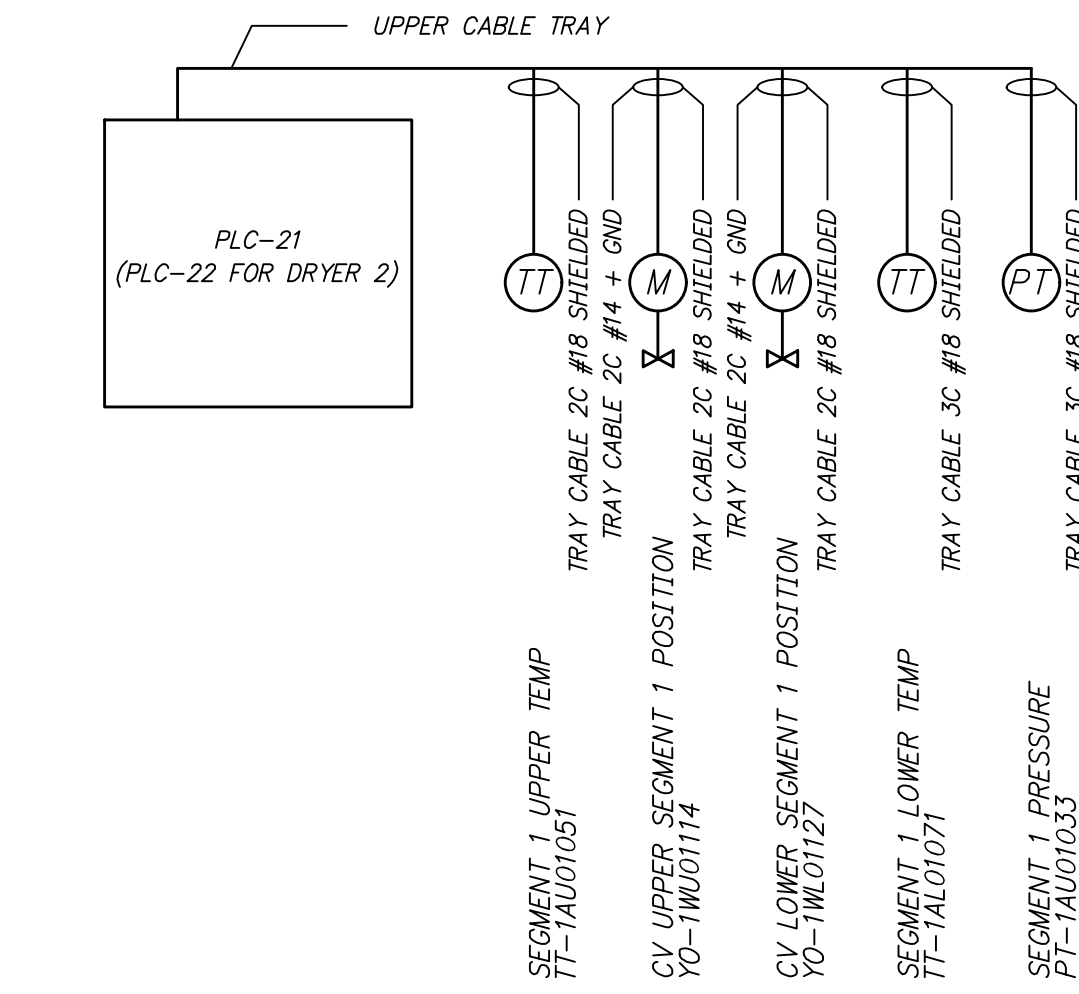


Z:\20\2020043 ROGERS SOLIDS HANDLING IMPROVEMENTS, PH. 2\DRAWINGS\CONSTRUCTION DRAWINGS\WIP\EA-12.DWG, 8/26/2024 11:17 AM, MATT WEIR, LAYOUT



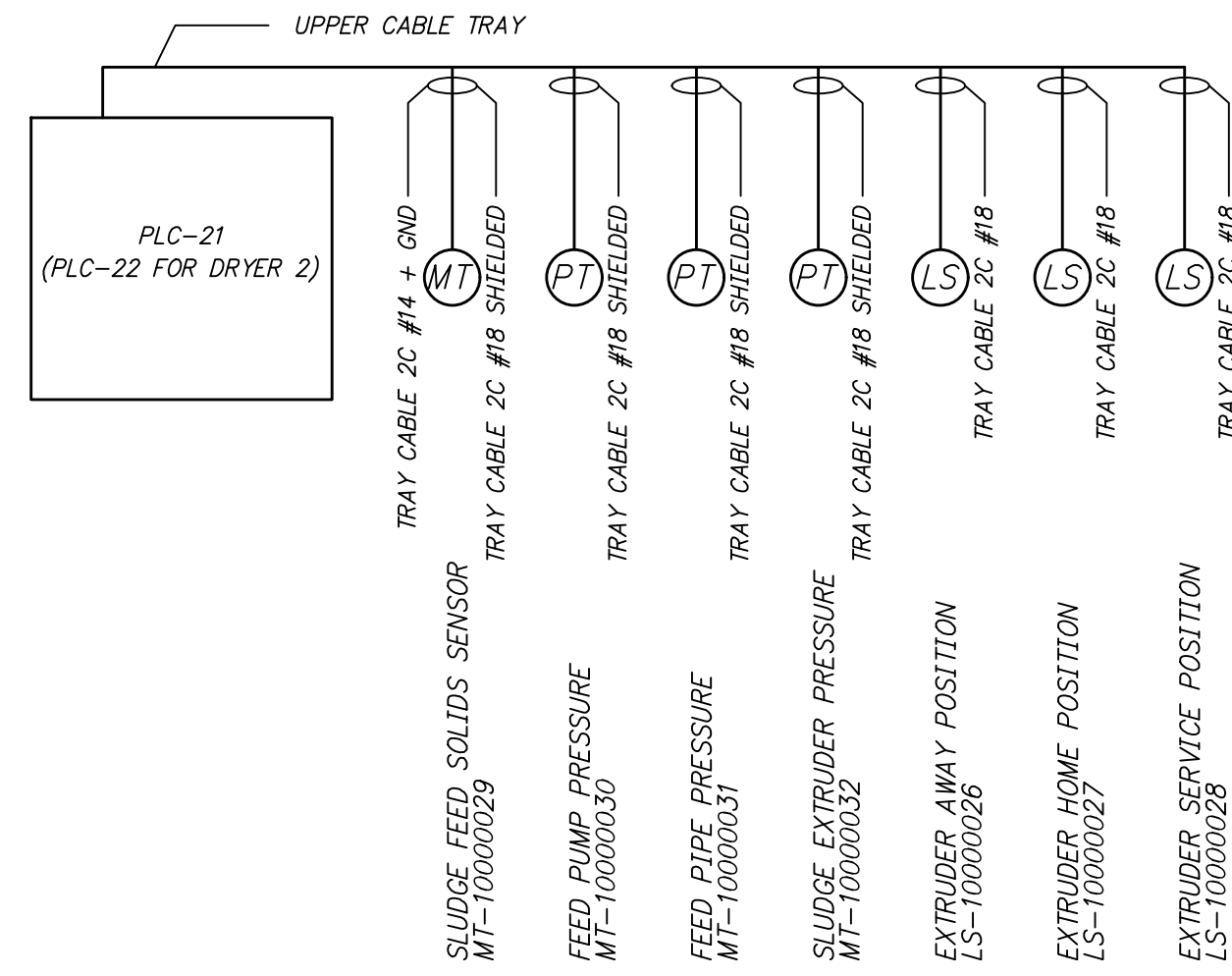
GAS HEATER POWER AND CONTROL RISER DIAGRAM (TYP OF 26)

DETAIL NN EA-15 NTS



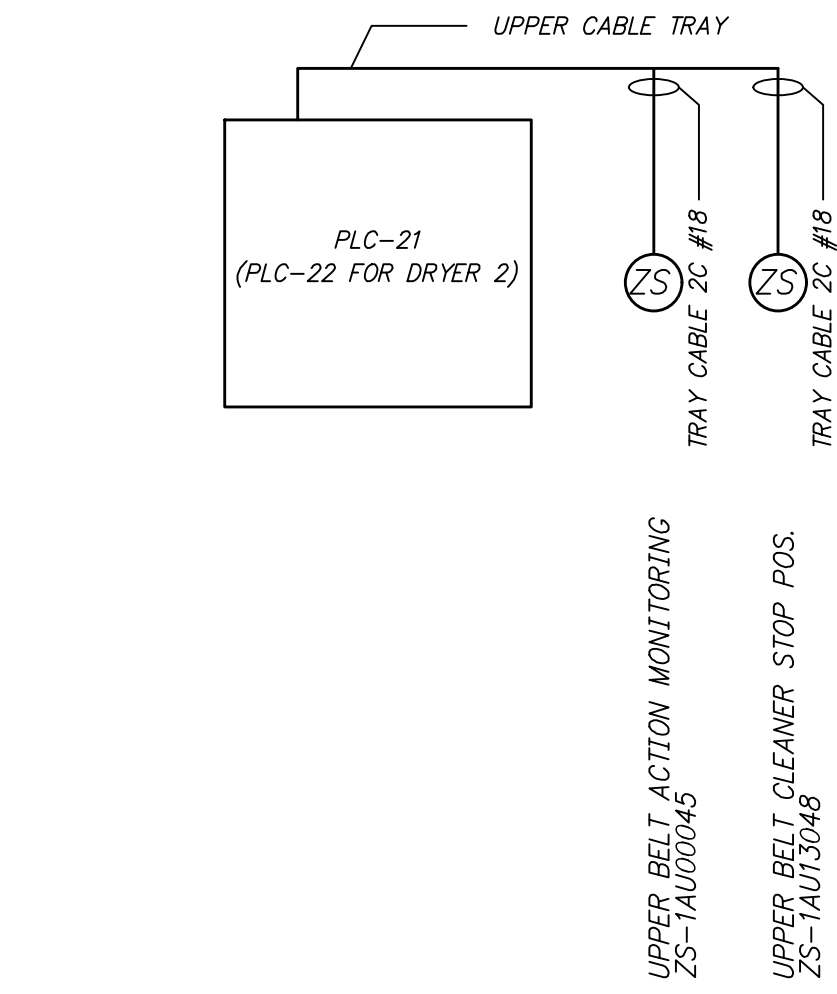
DRYER 1 SEGMENT 1 INSTRUMENTATION AND CONTROL RISER DIAGRAM (TYP OF 26)

DETAIL OO EA-15 NTS



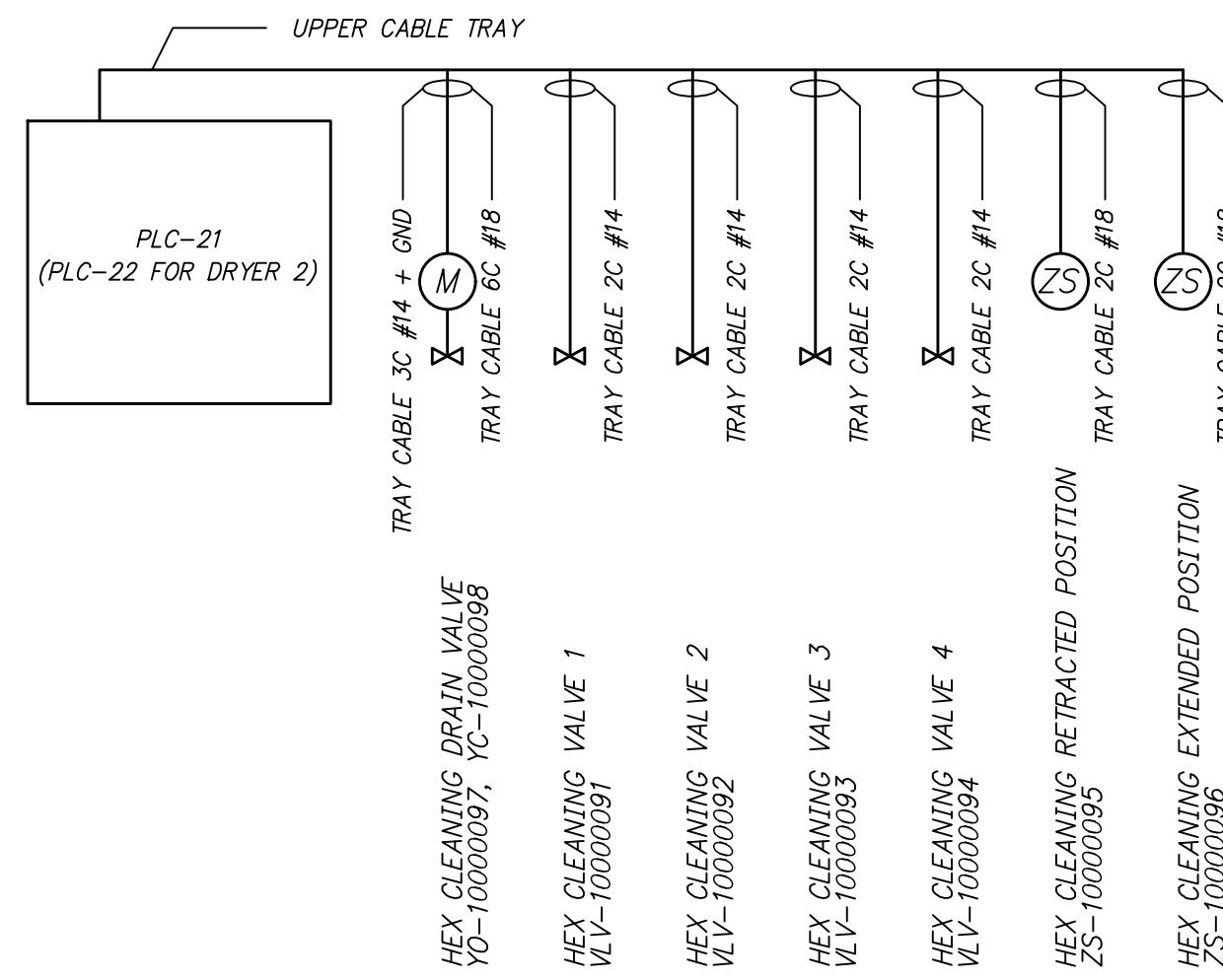
DRYER 1 EXTRUDER TRACTION AND CUTTER INSTRUMENTATION RISER DIAGRAM (DRYER 2 SIMILAR)

DETAIL PP EA-15 NTS



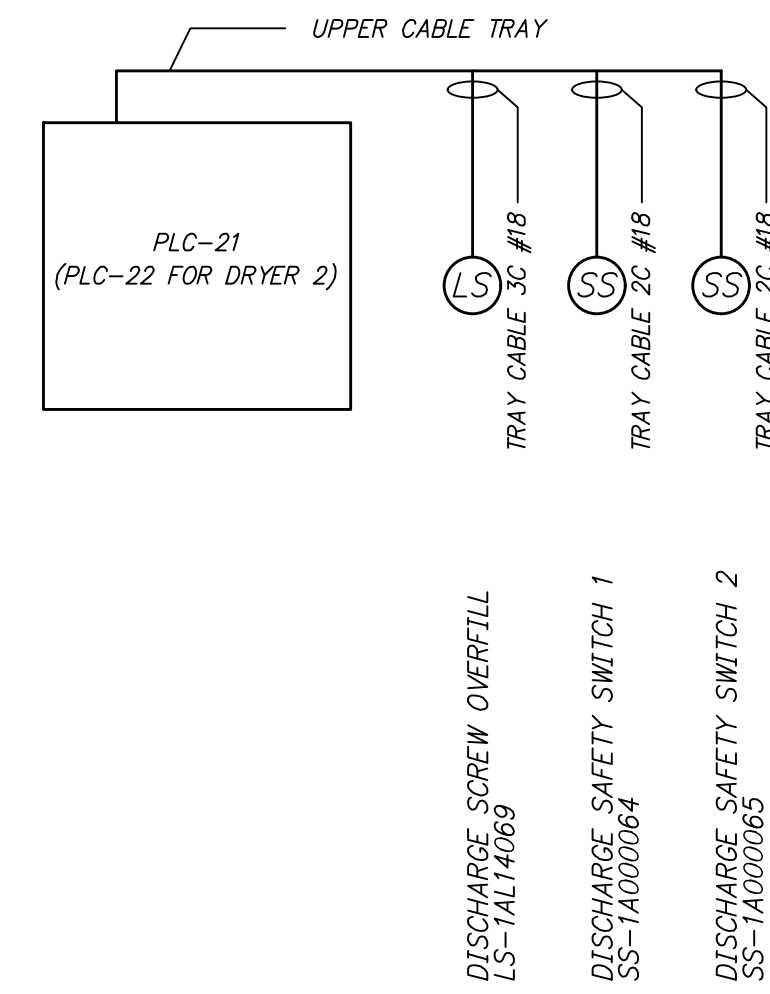
DRYER 1 UPPER BELT INSTRUMENTATION RISER DIAGRAM (DRYER 2 SIMILAR)

DETAIL QQ EA-15 NTS



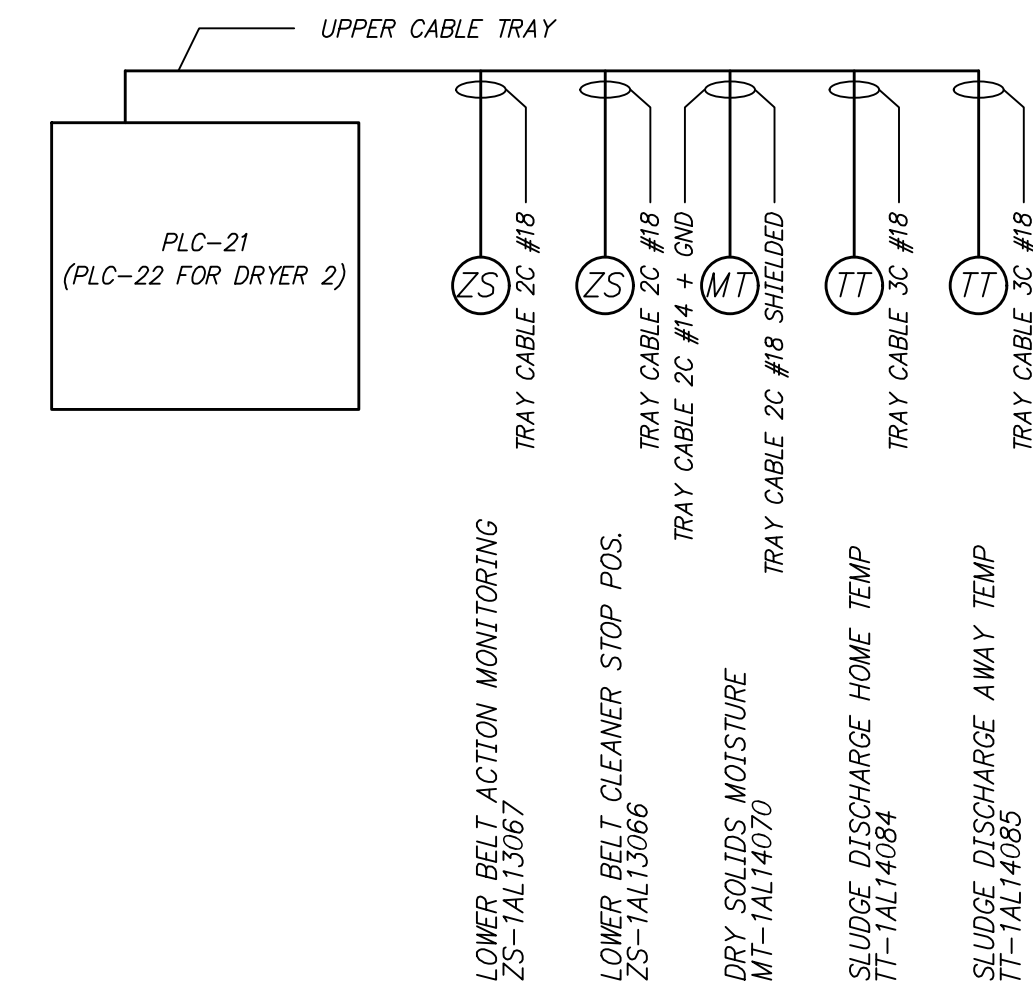
DRYER 1 HEAT EXCHANGER INSTRUMENTATION RISER DIAGRAM (DRYER 2 SIMILAR)

DETAIL RR EA-15 NTS



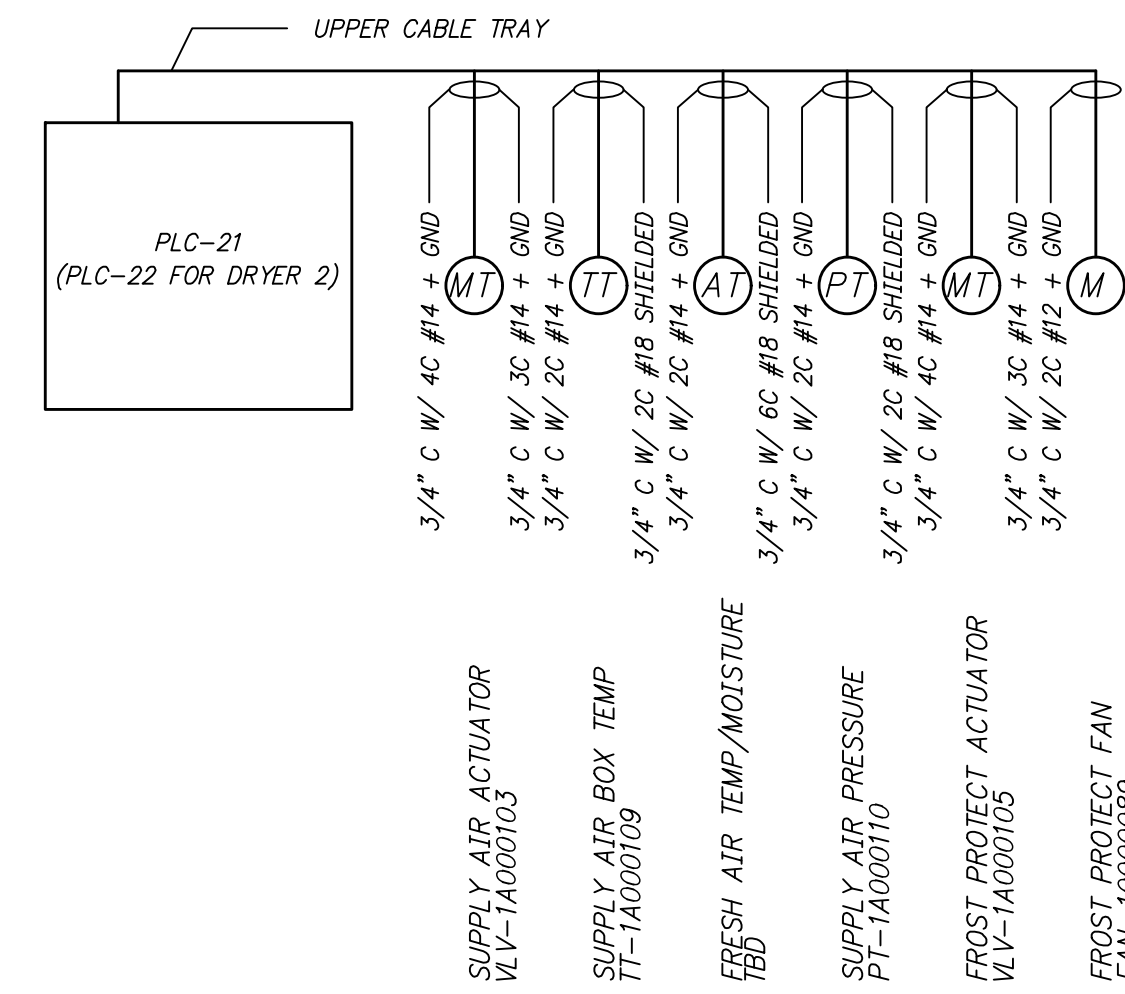
DRYER 1 DISCHARGE SCREW INSTRUMENTATION RISER DIAGRAM (DRYER 2 SIMILAR)

DETAIL SS EA-15 NTS



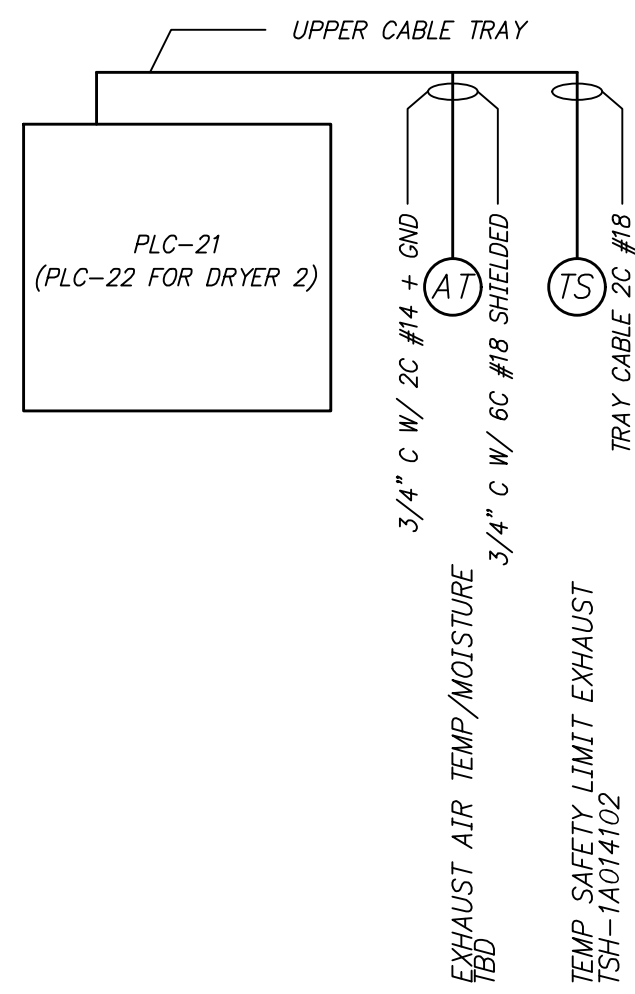
DRYER 1 LOWER BELT INSTRUMENTATION RISER DIAGRAM (DRYER 2 SIMILAR)

DETAIL TT EA-15 NTS



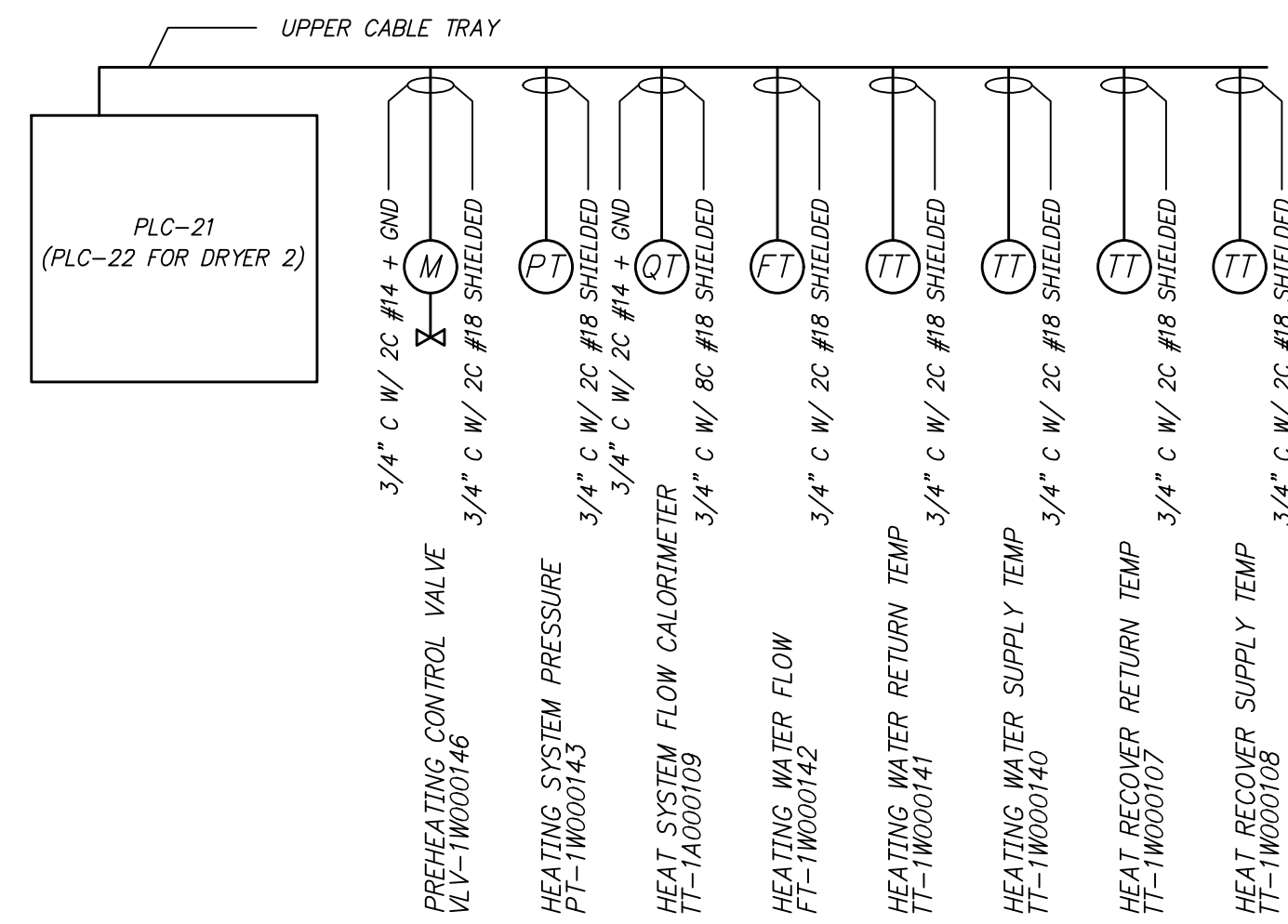
DRYER 1 SUPPLY AIR FANS INSTRUMENTATION RISER DIAGRAM (DRYER 2 SIMILAR)

DETAIL UU EA-15 NTS



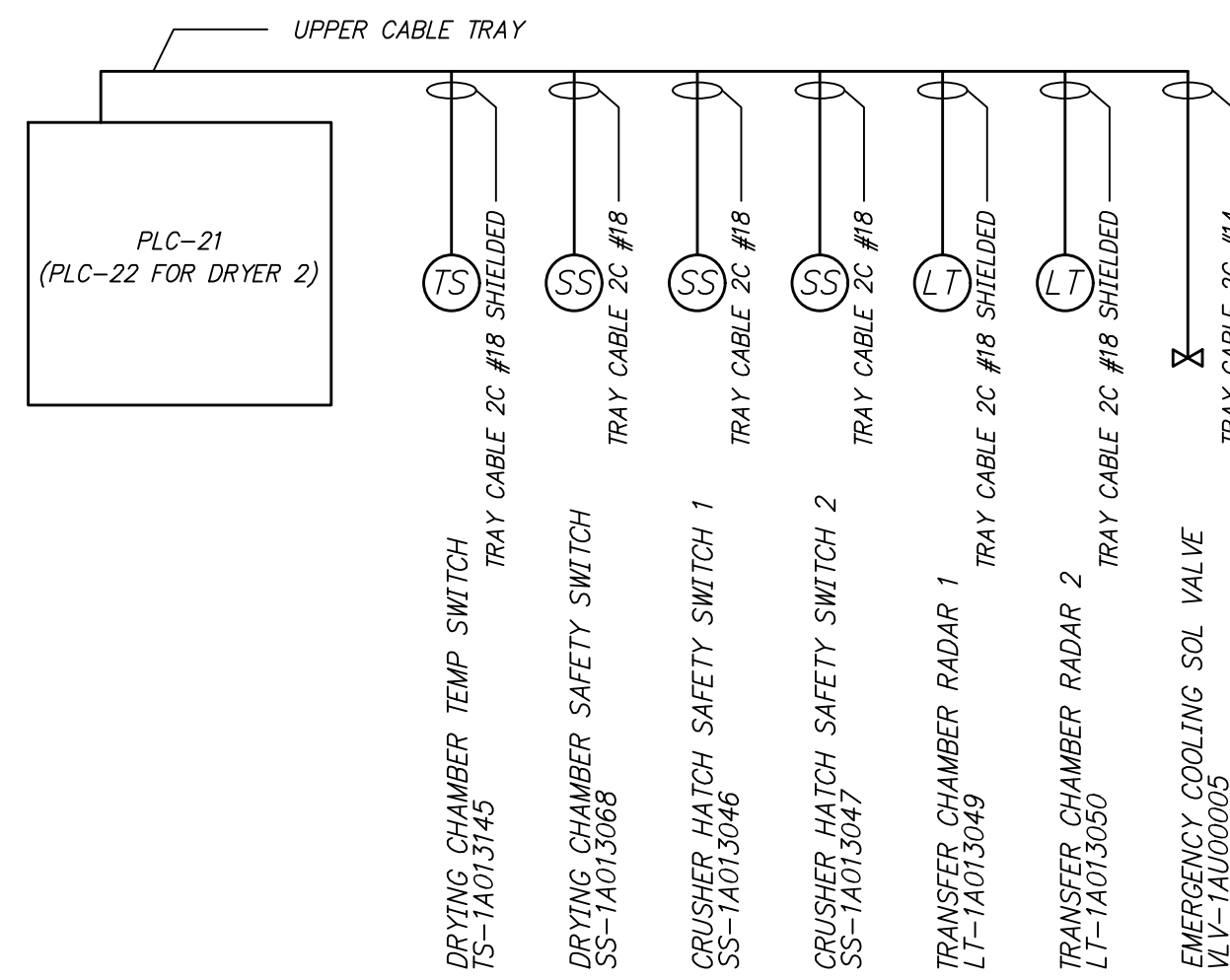
DRYER 1 EXHAUST AIR FANS INSTRUMENTATION RISER DIAGRAM (DRYER 2 SIMILAR)

DETAIL VV EA-15 NTS



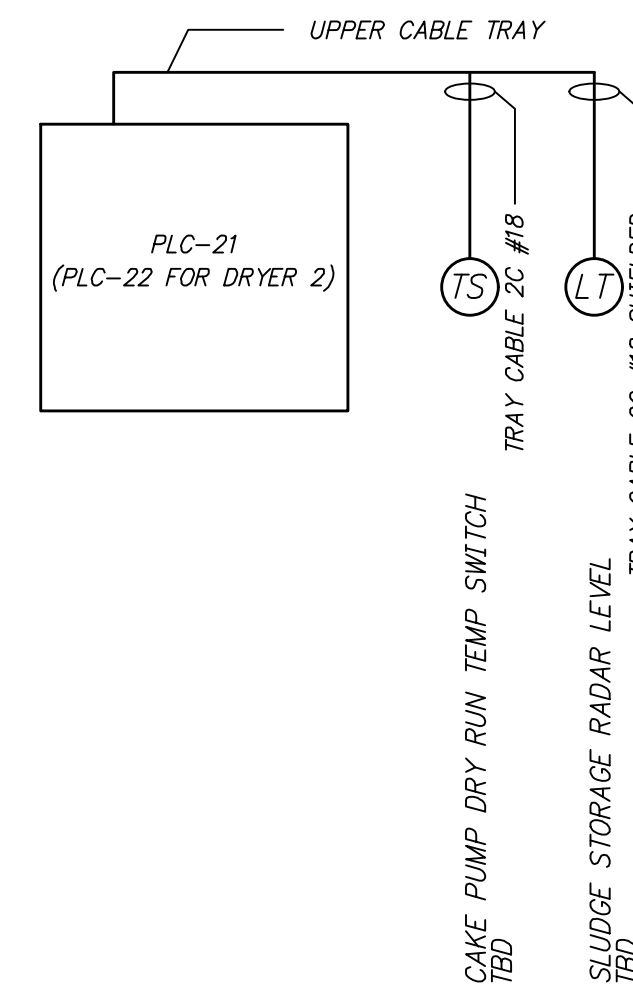
DRYER 1 HOT WATER SYSTEM INSTRUMENTATION RISER DIAGRAM (DRYER 2 SIMILAR)

DETAIL WW EA-15 NTS



DRYER 1 CRUSHER INSTRUMENTATION RISER DIAGRAM (DRYER 2 SIMILAR)

DETAIL XX EA-15 NTS



DRYER 1 CAKE HOPPER AND PUMPS INSTRUMENTATION RISER DIAGRAM (DRYER 2 SIMILAR)

DETAIL YY EA-15 NTS

1" ONE INCH AT FULL SIZE IF NOT ONE INCH SCALE ACCORDINGLY

Table with columns for REVISION, DATE, and REVISION.



ROGERS, ARKANSAS ROGERS POLLUTION CONTROL FACILITY (PCF) SOLIDS HANDLING IMPROVEMENTS, PHASE II DRYER BUILDING MCC CONTROL AND RISER DIAGRAMS II FOR: ROGERS WATER UTILITIES

DATE: AUGUST 2024 SCALE: NTS DESIGNED BY: LSM DRAWN BY: LSM HWEI NO.: 2020043 FILENAME: EA-12

SHEET NO. EA-12