

ONE INCH
AT FULL SIZE
IF NOT ONE INCH
SCALE ACCORDINGLY

DATE	REVISION

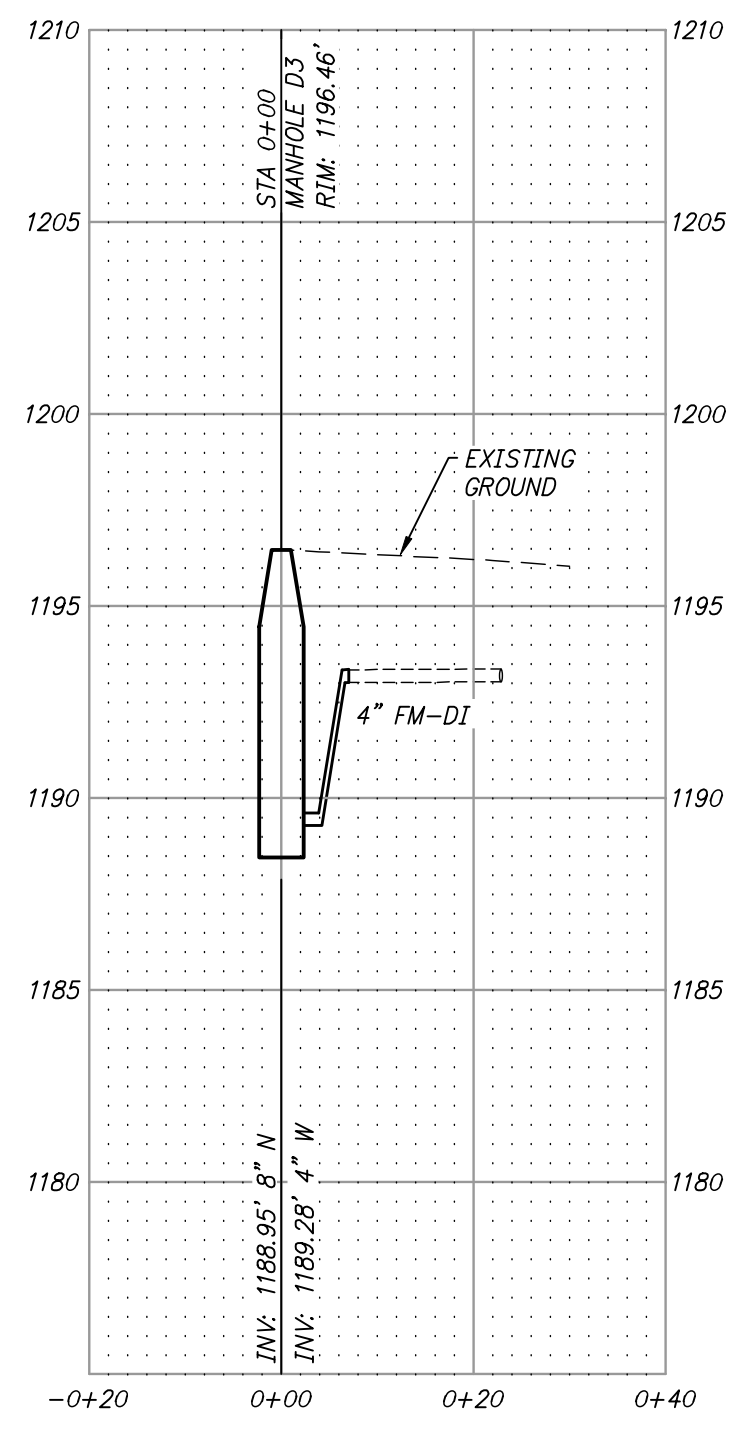


HAWKINS WEIR ENGINEERS, INC.
BLACK & VEATCH

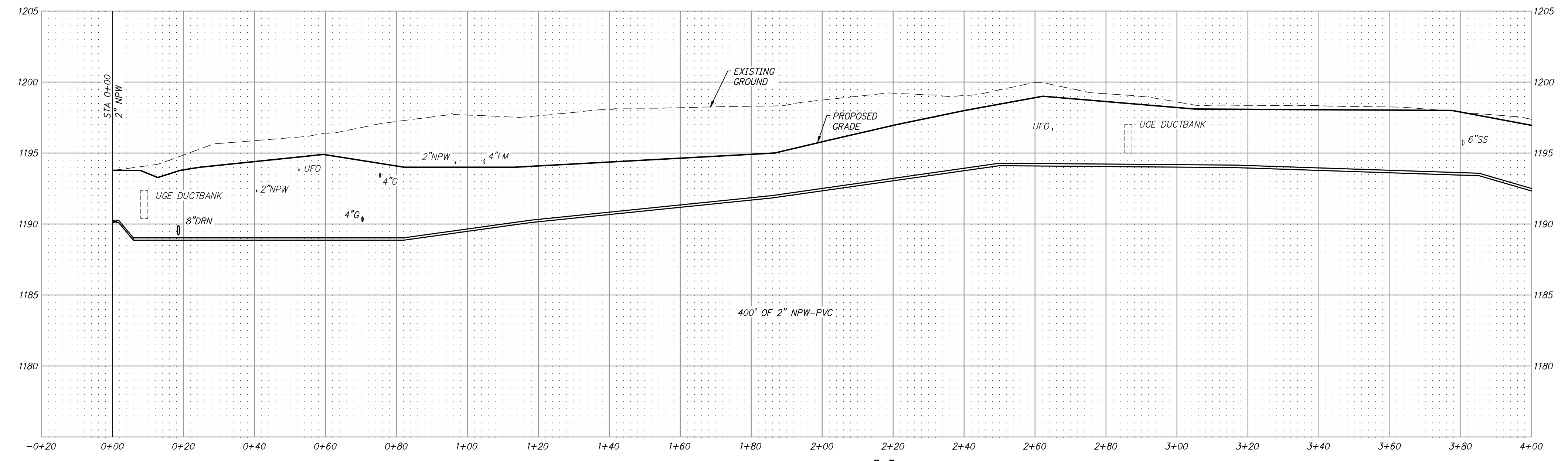
ROGERS, ARKANSAS
 ROGERS POLLUTION CONTROL FACILITY (PCF)
 SOLIDS HANDLING IMPROVEMENTS, PHASE II
 PIPING PROFILES II
 FOR: ROGERS WATER UTILITIES

DATE: AUGUST 2024
 SCALE: AS SHOWN
 DESIGNED BY: JDS
 DRAWN BY: MAW
 HWI NO.: 2020043
 FILENAME: C-09

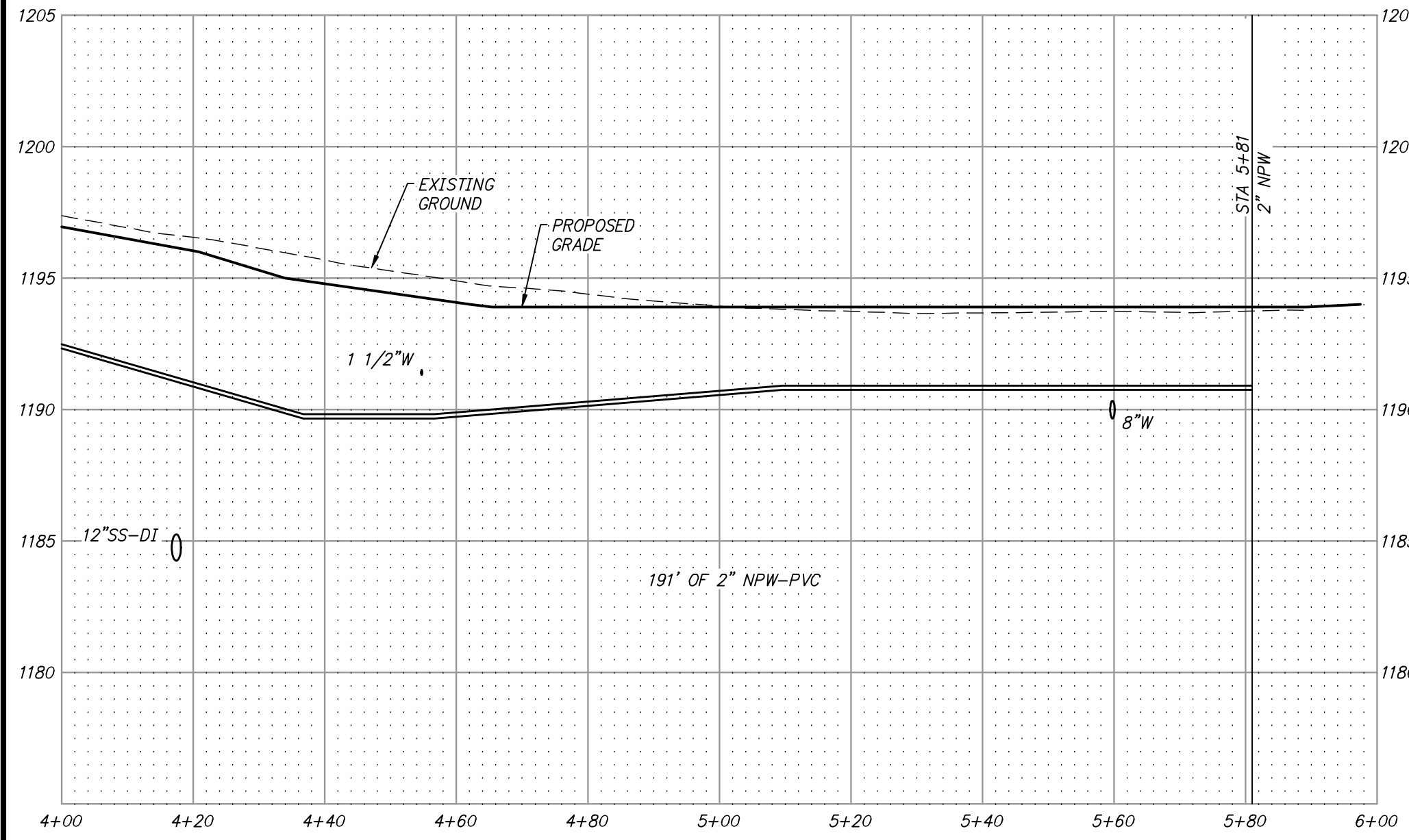
SHEET NO.
C-9



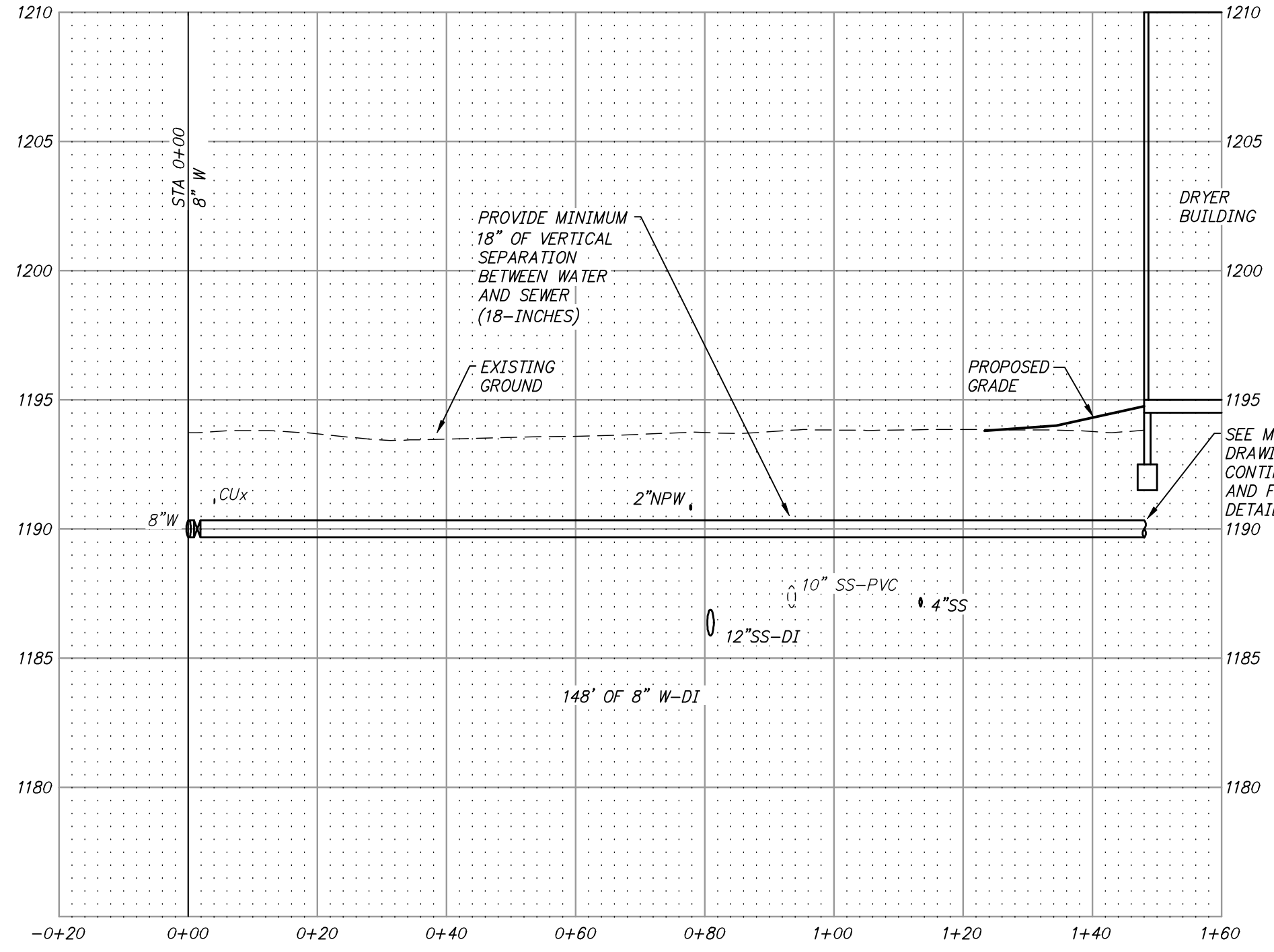
FORCE MAIN "A"
4" FM-DI
PROFILE 3
 H: 1"=20'; V: 1"=5'



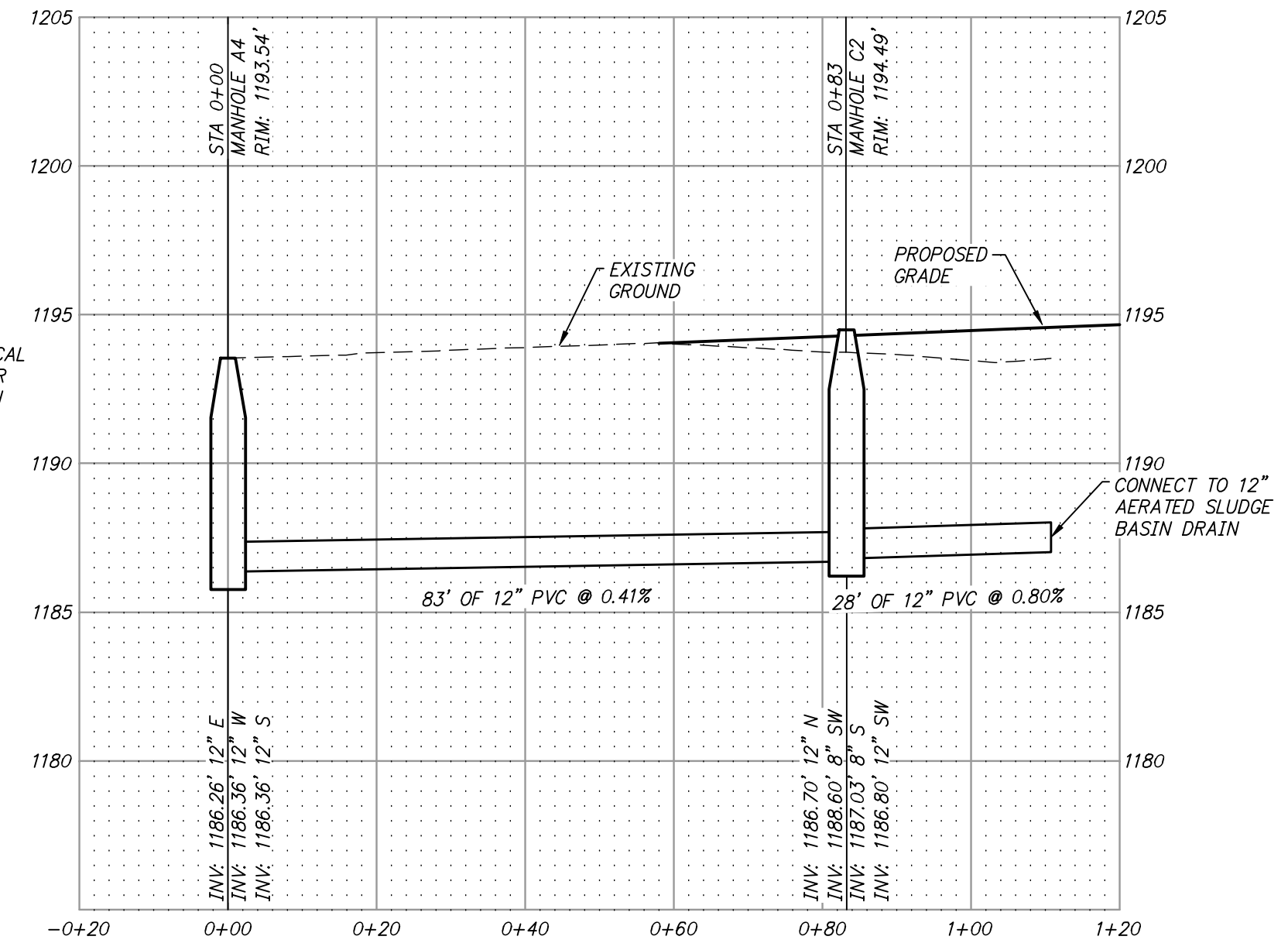
NON-POTABLE WATER LINE "A"
2" NPW-PVC
PROFILE 4
 H: 1"=20'; V: 1"=5'



NON-POTABLE WATER LINE "A"
2" NPW-PVC
PROFILE 4
 H: 1"=20'; V: 1"=5'



POTABLE WATER LINE "A"
8" W-DI
PROFILE 5
 H: 1"=20'; V: 1"=5'



SEWER LINE "C"
12" SS-PVC
PROFILE 6
 H: 1"=20'; V: 1"=5'

Z:\20\2020043 ROGERS SOLIDS HANDLING IMPROVEMENTS, PH 2\DRAWINGS\CONSTRUCTION DRAWINGS\WIP\C-09.DWG, 8/26/2024 11:08 AM, MATT WEIR, LAYOUT1