

DOOR SCHEDULE (D)																
DOOR No. (D)	DOOR SIZE			DOOR				DOOR			FRAME			REMARKS		
	PAIR	WIDTH	HEIGHT	TYPE (D)	MATERIAL	HEAD	JAMB	SILL	RATING	GLAZING TYPE (G)	HDWR	MATERIAL	HEAD		WIDTH	DEPTH
103A		2'-10"	7'-0"	A	HM	1	2	3	2 HOUR	-	04	HM	2"	2"	5 3/4"	
104A		2'-10"	7'-0"	A	HM	1	2	3	2 HOUR	-	04	HM	2"	2"	5 3/4"	
105A		2'-10"	7'-0"	B	HM	1	2	3	-	G2	05	HM	2"	2"	5 3/4"	
106A		2'-10"	7'-0"	B	HM	1	2	3	2 HOUR	G2	05	HM	2"	2"	5 3/4"	
106B		3'-0"	7'-0"	B	HM	4	5	6	-	G1	08	HM	2"	2"	5 3/4"	
107A	PR	3'-0"	8'-0"	C	HM	10	11	12	-	-	07	HM	2"	2"	5 3/4"	
107B	PR	3'-0"	8'-0"	C	HM	7	8	9	-	-	06	HM	2"	2"	5 3/4"	

ROOM FINISH SCHEDULE																			
ROOM No.	ROOM NAME	FLOOR		WALLS												CEILING			REMARKS
		MATRL	FINISH	NORTH			EAST			SOUTH			WEST			MATRL	FINISH	HEIGHT	
				MATRL	FINISH	BASE	MATRL	FINISH	BASE	MATRL	FINISH	BASE	MATRL	FINISH	BASE	MATRL	FINISH	BASE	
101	VEHICLE STORAGE	ETR	ETR	LP	FF	LP	ETR	ETR	ETR	NO	NO	NO	LP	FF	LP	INSUL	FF	-	APPLY LINER PANEL OVER GYPSUM WALL BOARD AT NORTH AND WEST WALL
102	FABRICATION	ETR	ETR	NO	NO	NO	ETR	ETR	ETR	ETR	ETR	ETR	LP	FF	LP	INSUL	FF	-	APPLY LINER PANEL OVER GYPSUM WALL BOARD AT NORTH AND WEST WALL
103	LOCKER ROOM	CO	CS	GWB	PT	RB	GWB	PT	RB	GWB	PT	RB	GWB	PT	RB	GWB	PT	10'-0"	
104	UNISEX RESTROOM	CO	CS/TL	CB	TL	TL	CB	TL	TL	CB	TL	TL	CB	TL	TL	GWB	PT	10'-0"	APPLY CERAMIC TILE AT SHOWER PAN FLOORS SURFACE
105	OFFICE	CO	RF	GWB	PT	RB	GWB	PT	RB	GWB	PT	RB	GWB	PT	RB	ACT	FF	10'-0"	
106	OFFICE	CO	RF	GWB	PT	RB	GWB	PT	RB	GWB	PT	RB	GWB	PT	RB	ACT	FF	10'-0"	
107	STORAGE ROOM	CO	CS	LP	FF	LP	LP	FF	LP	LP	FF	LP	LP	FF	LP	INSUL	FF	-	
108	HALLWAY	CO	CS	GWB	PT	RB	GWB	PT	LP	GWB	PT	RB	GWB	PT	RB	GWB	PT	10'-0"	

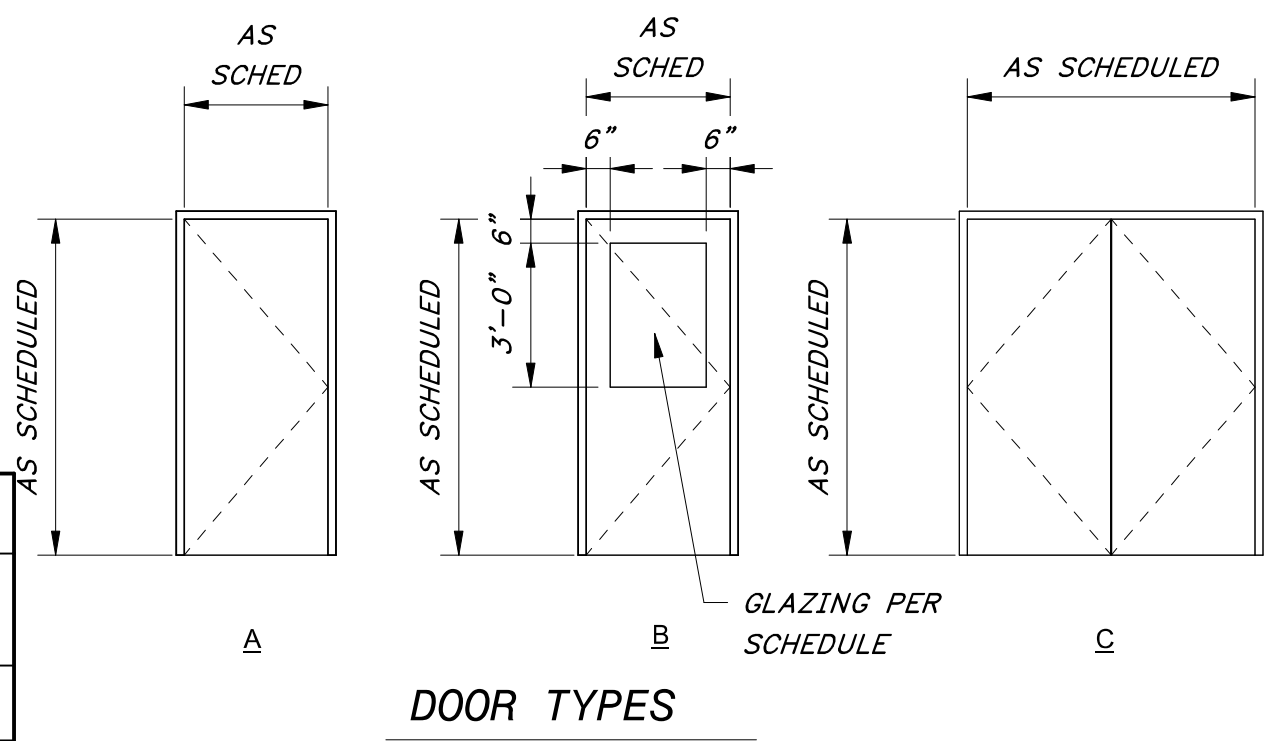
WINDOW SCHEDULE (W)							
QTY	TYPE (W)	OPENING		WINDOW			COMMENTS
		WIDTH	HEIGHT	FRAME DEPTH	MATERIAL	GLAZING TYPE (G)	
1	W1	6'-0"	4'-0"	4 1/2"	ALUM	G1	7'-0"
1	W2	4'-0"	4'-0"	4 1/2"	ALUM	G1	7'-0"

SCHEDULE LEGEND	
ACT	ACOUSTIC CEILING TILE
ALUM	ALUMINUM
CB	CEMENT BOARD TILE BACKER
CO	CONCRETE
CS	CONCRETE SEALER
ETR	EXISTING TO REMAIN
FF	FACTORY FINISH
GWB	GYPSUM WALLBOARD
HM	HOLLOW METAL
INSUL	PEMB BLANKET INSULATION
LP	LINER PANEL
NO	NONE
PT	PAINT
RB	RUBBER
RF	RESILIENT FLOORING
TL	CERAMIC TILE, UP TO CEILING

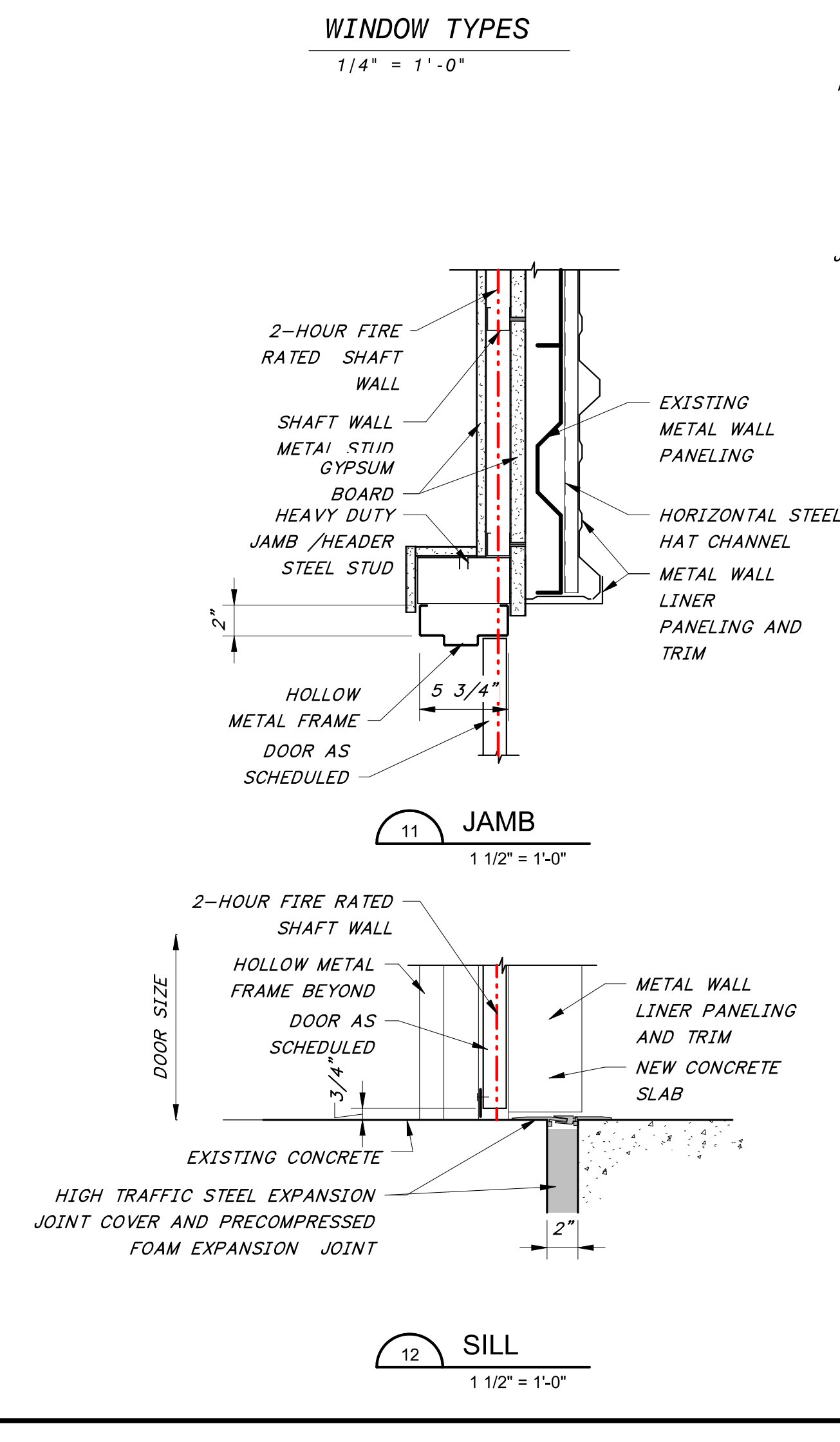
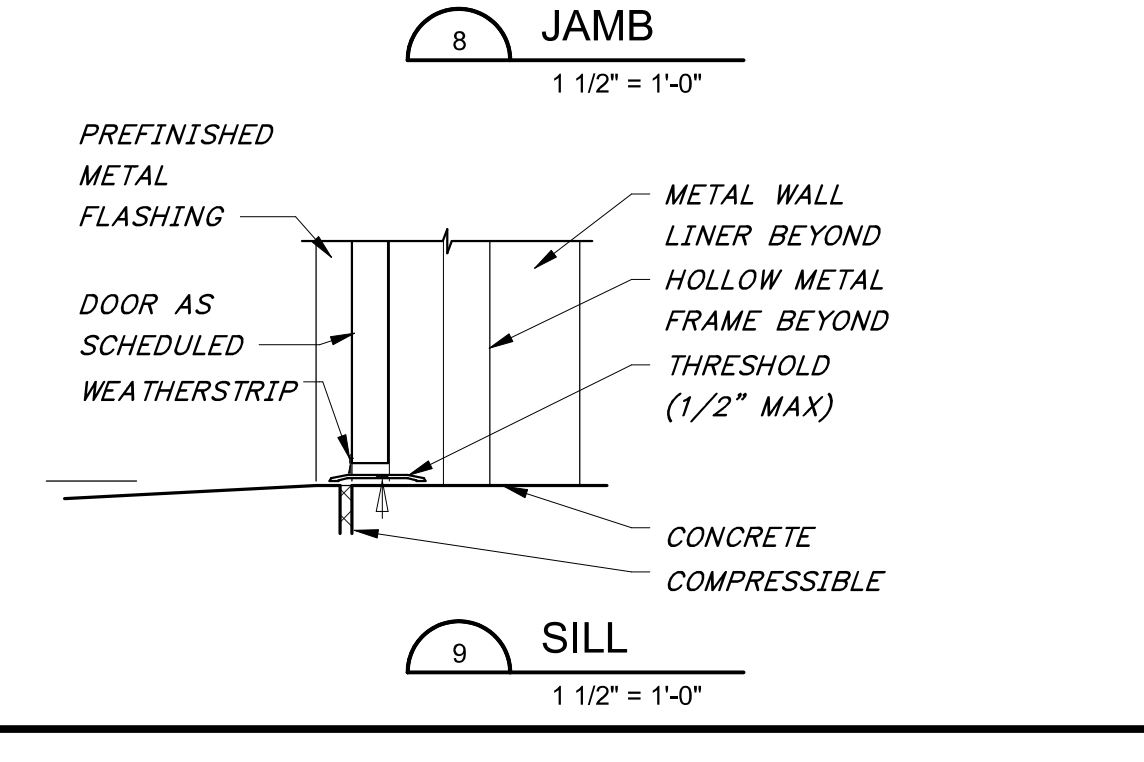
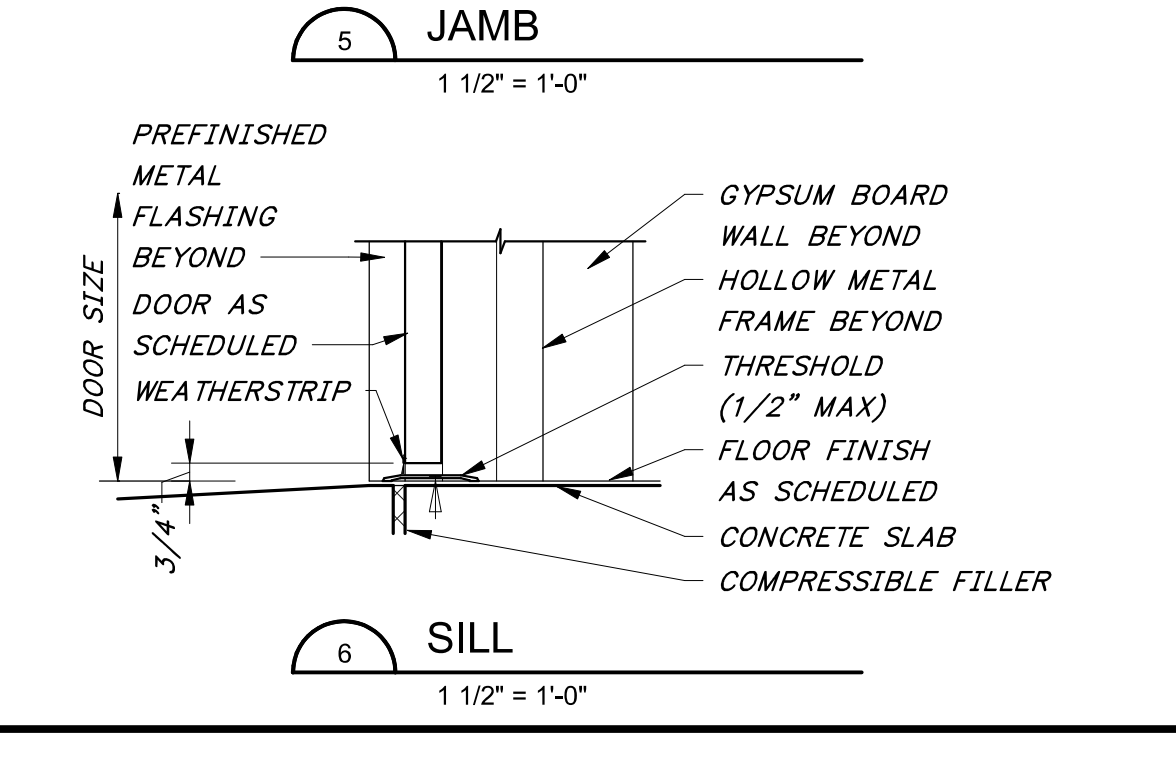
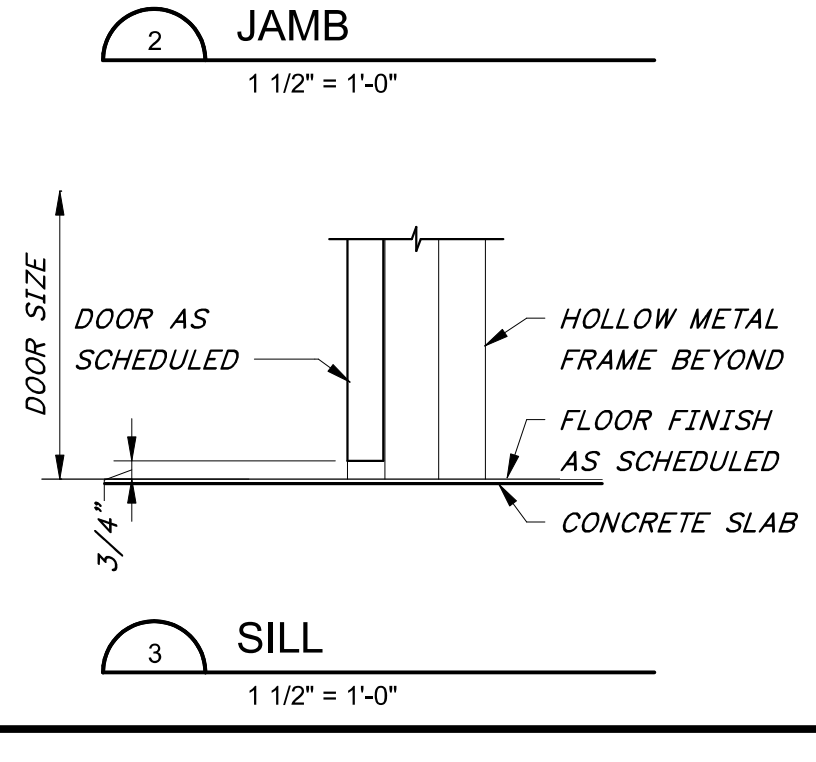
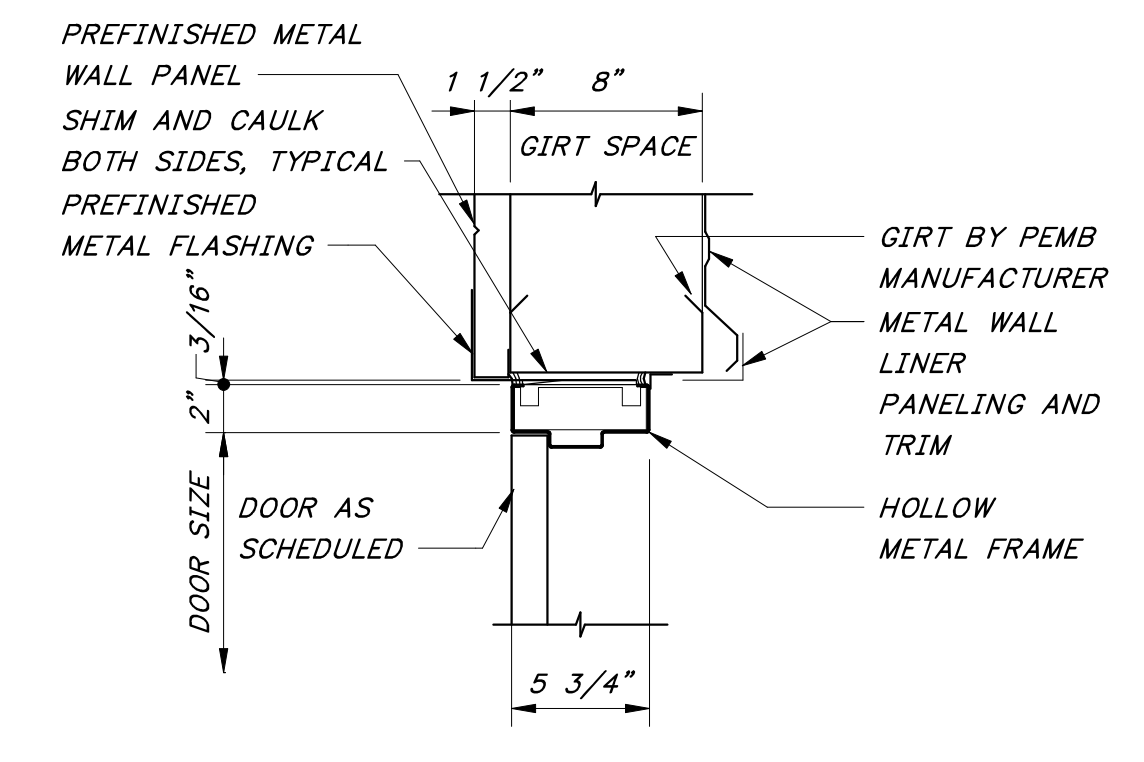
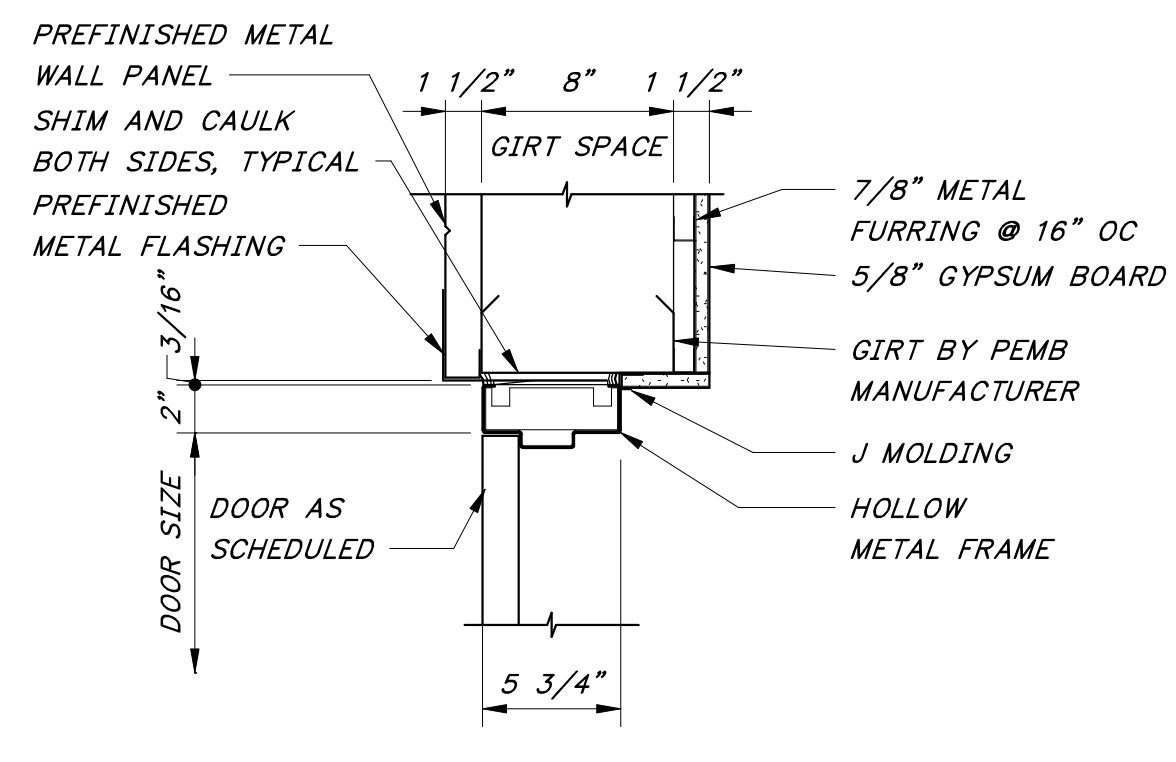
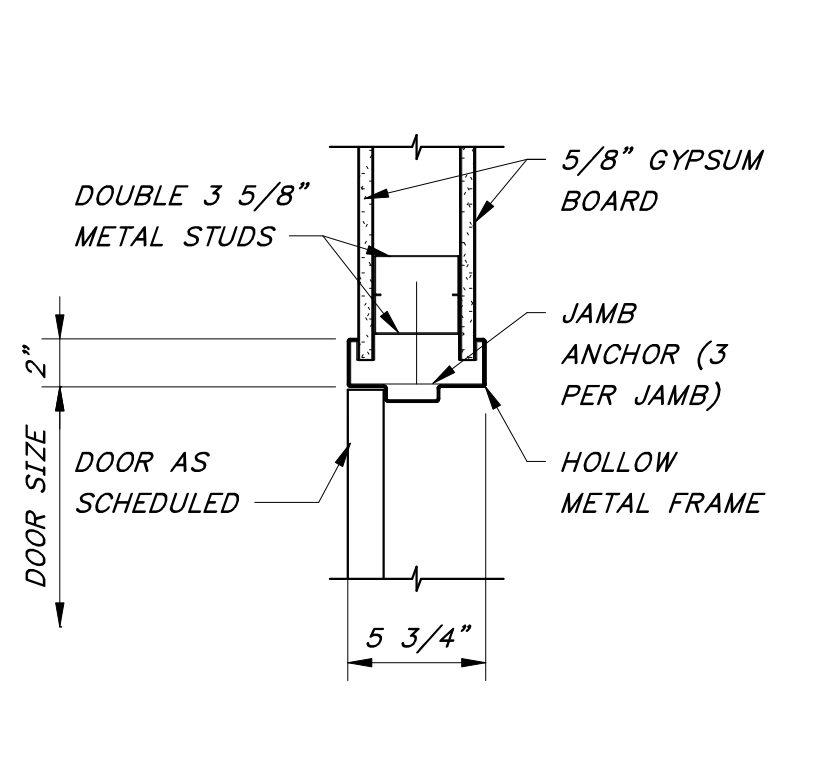
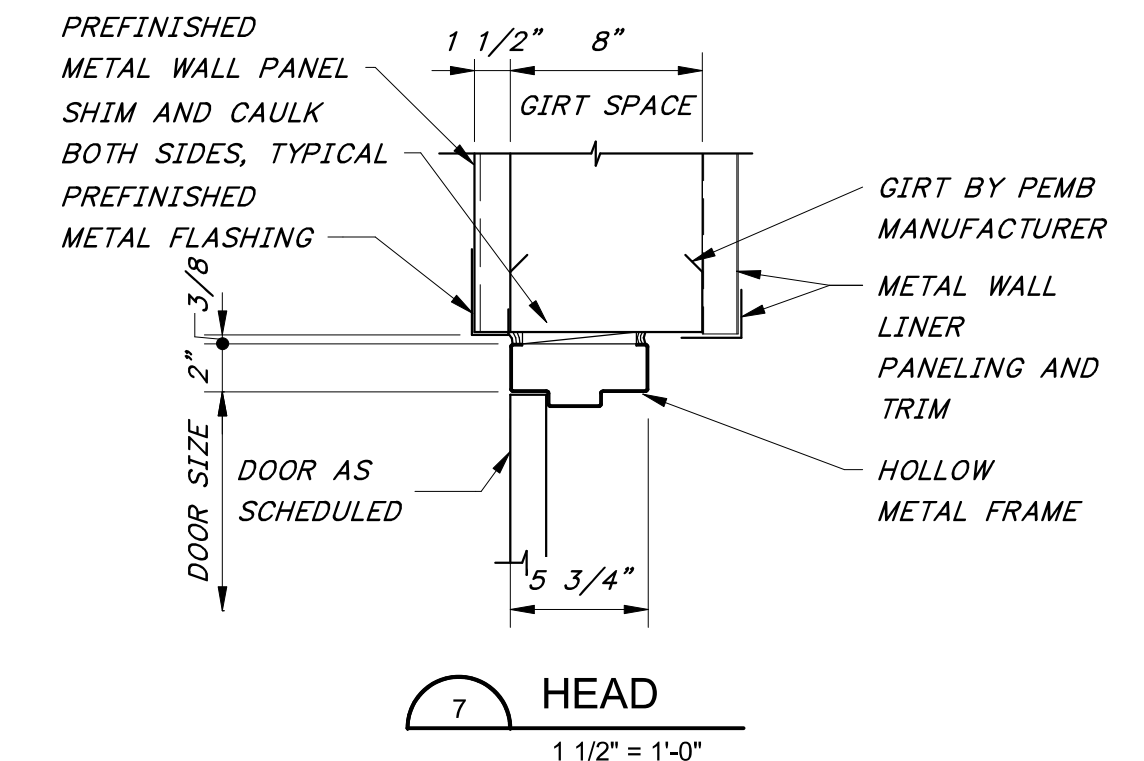
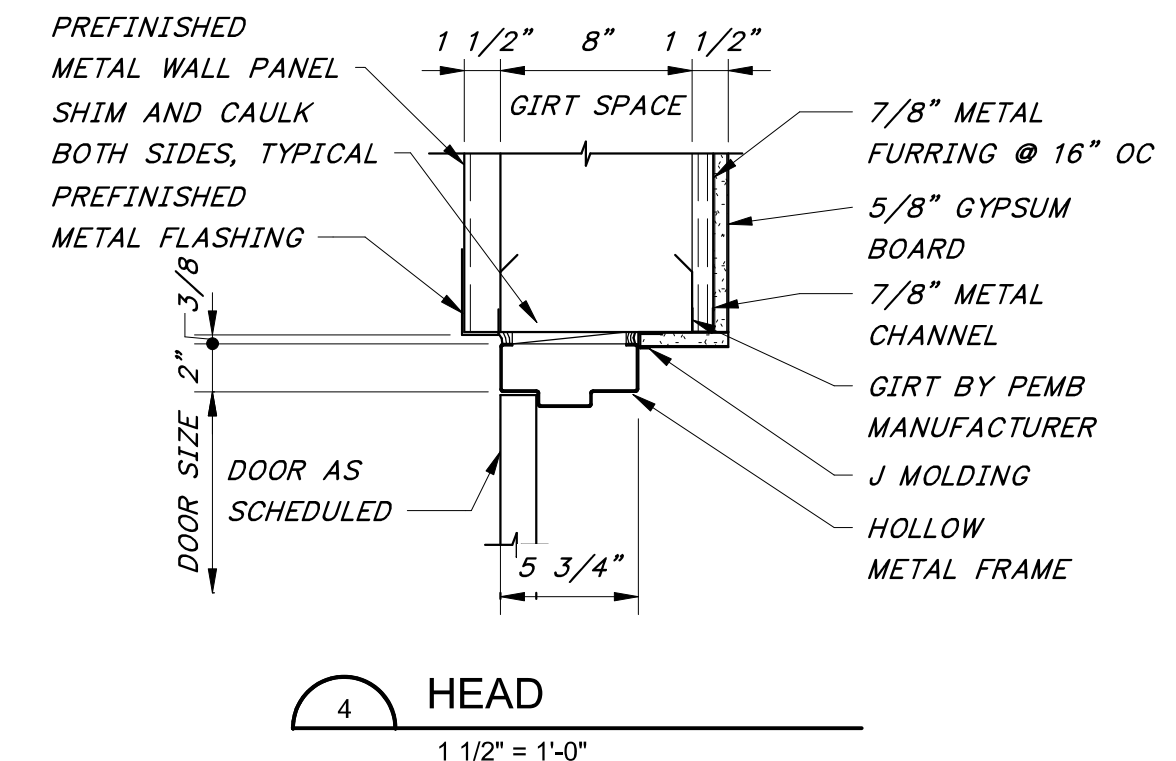
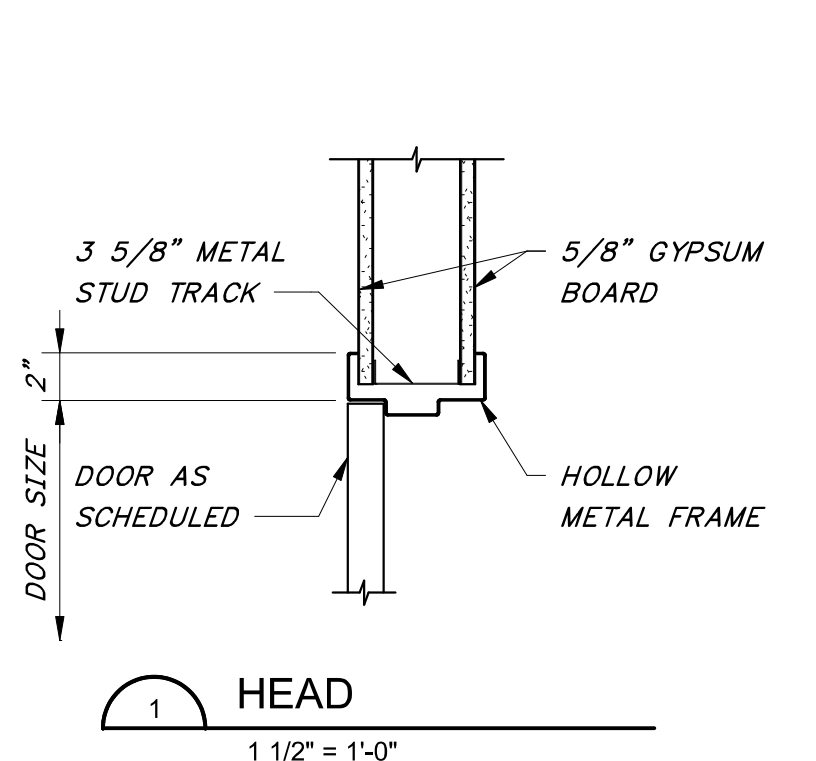
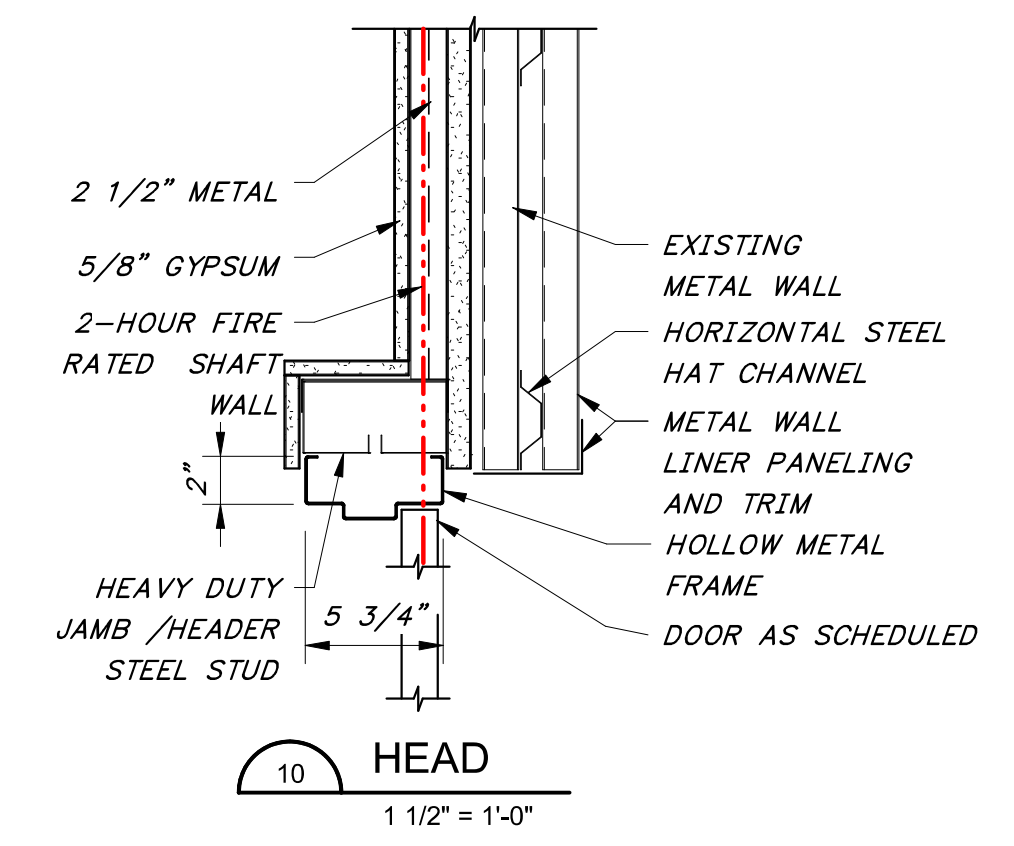
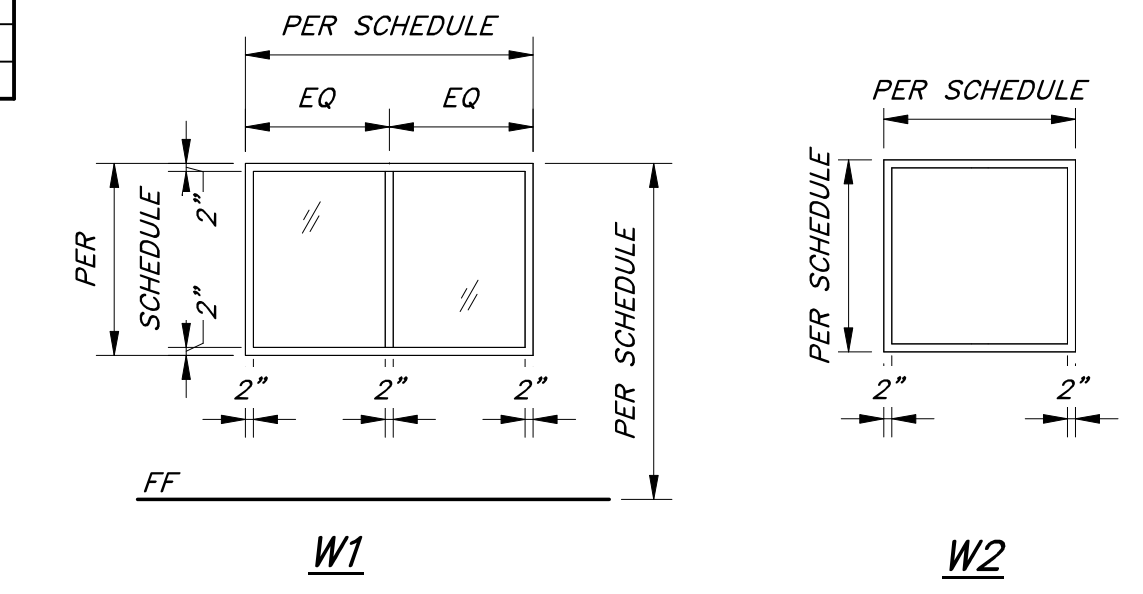
ONE INCH AT FULL SIZE IF NOT ONE INCH SCALE ACCORDINGLY

DATE	
REVISION	

REGISTERED ARCHITECT
RICHARD BARTHOLOMEW
8861
08/30/2024
STATE OF ARKANSAS



GLAZING SCHEDULE (G)	
GLAZING TYPE (G)	DESCRIPTION
G1	1" TINTED INSULATED GLASS
G2	LAMINATED SAFETY GLASS



HAWKINS WEIR ENGINEERS, INC.
Black & Veatch Architects Arkansas, PLLC
Overland Park, Kansas
COA: IL209

ROGERS, ARKANSAS
ROGERS POLLUTION CONTROL FACILITY (PCF)
SOLIDS HANDLING IMPROVEMENTS, PHASE II
MAINTENANCE BUILDING - SCHEDULES AND DETAILS
FOR: ROGERS WATER UTILITIES

DATE: AUGUST 2024
SCALE: As indicated
DESIGNED BY: CAA
DRAWN BY: SJU
HWET NO.: 2020043
FILENAME:

SHEET NO.
AB-06