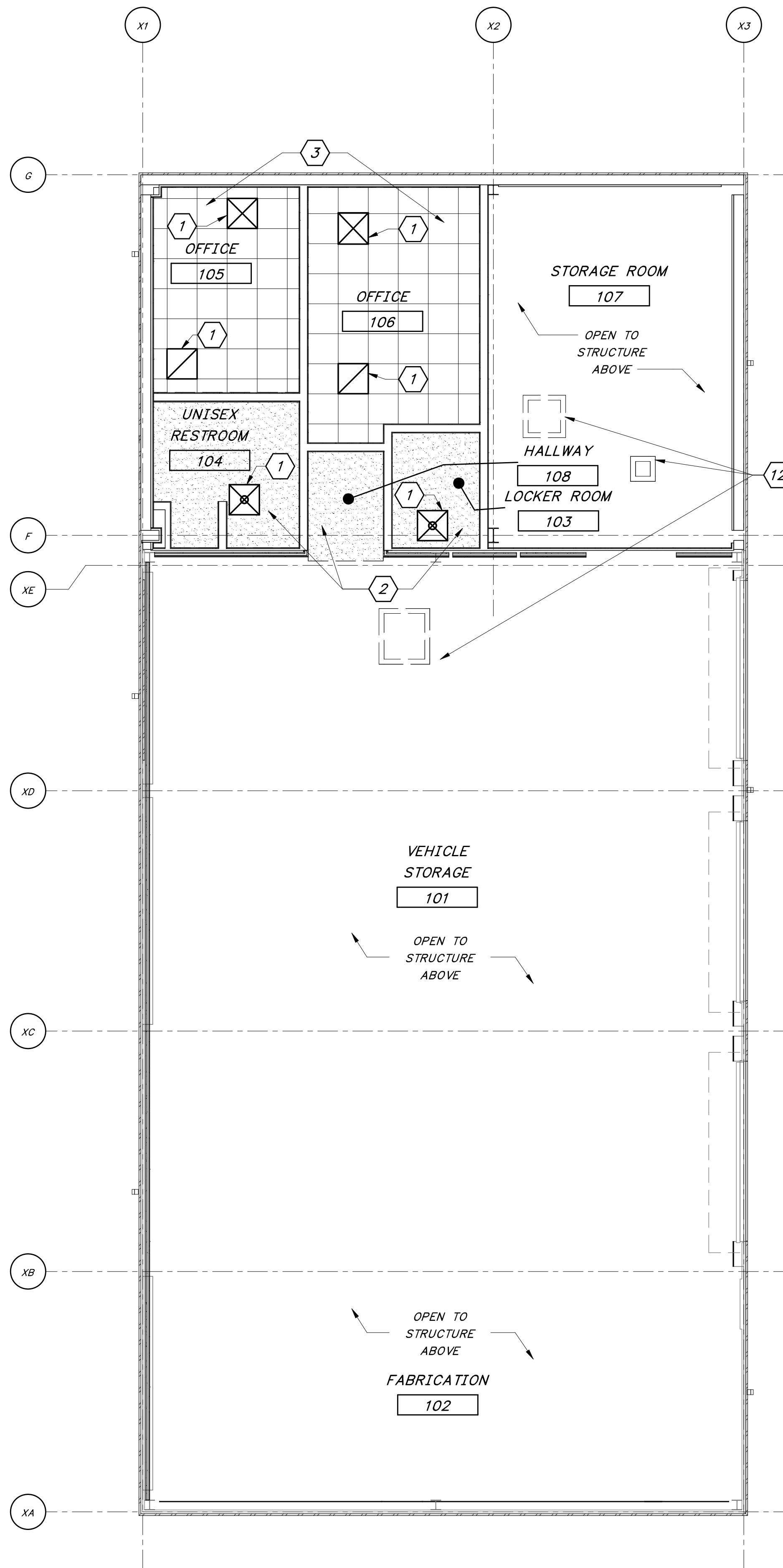
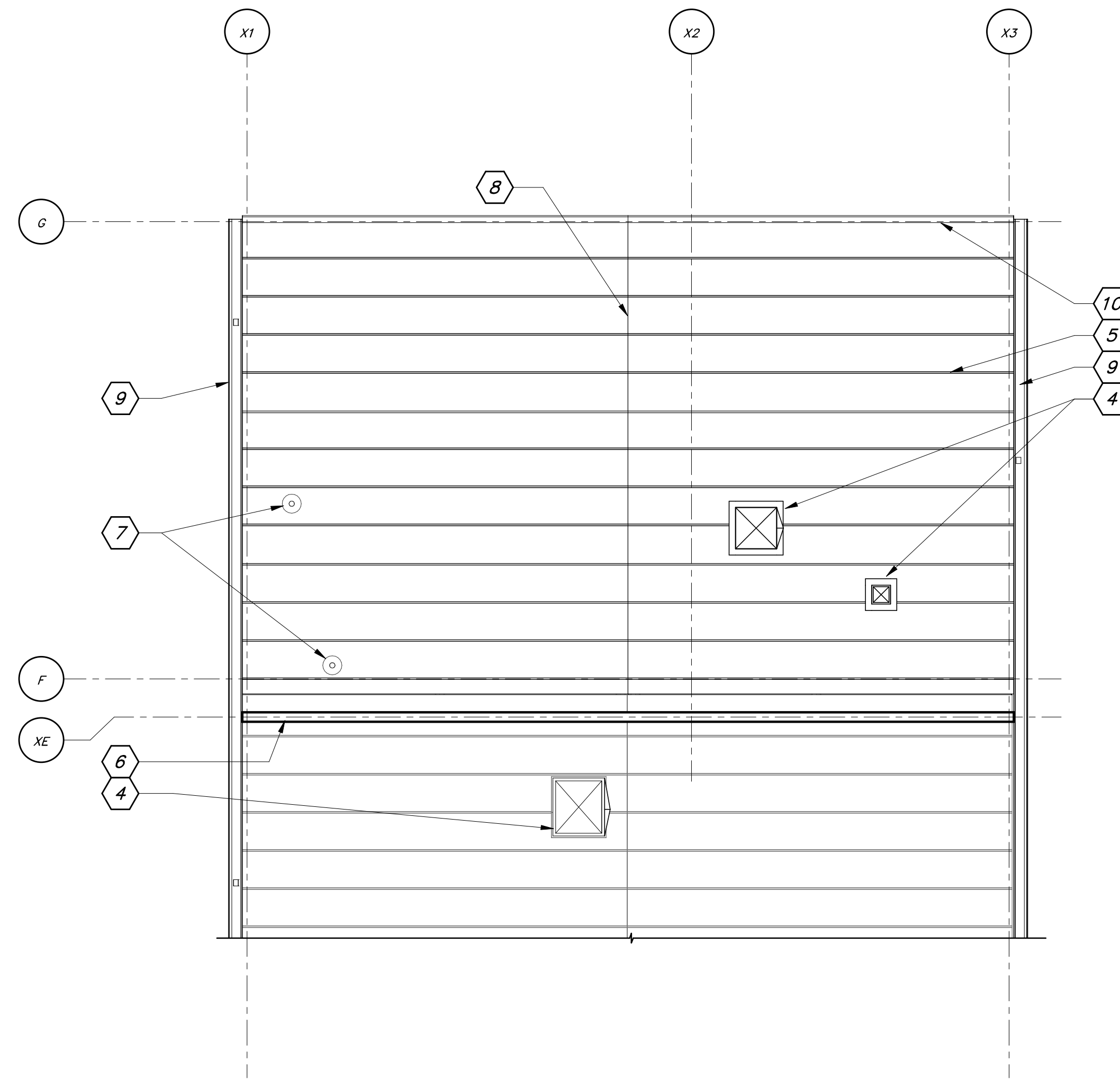


8/27/2024 11:15:11 AM / SUJ / MAINTENANCE BUILDING - CEILING PLAN.

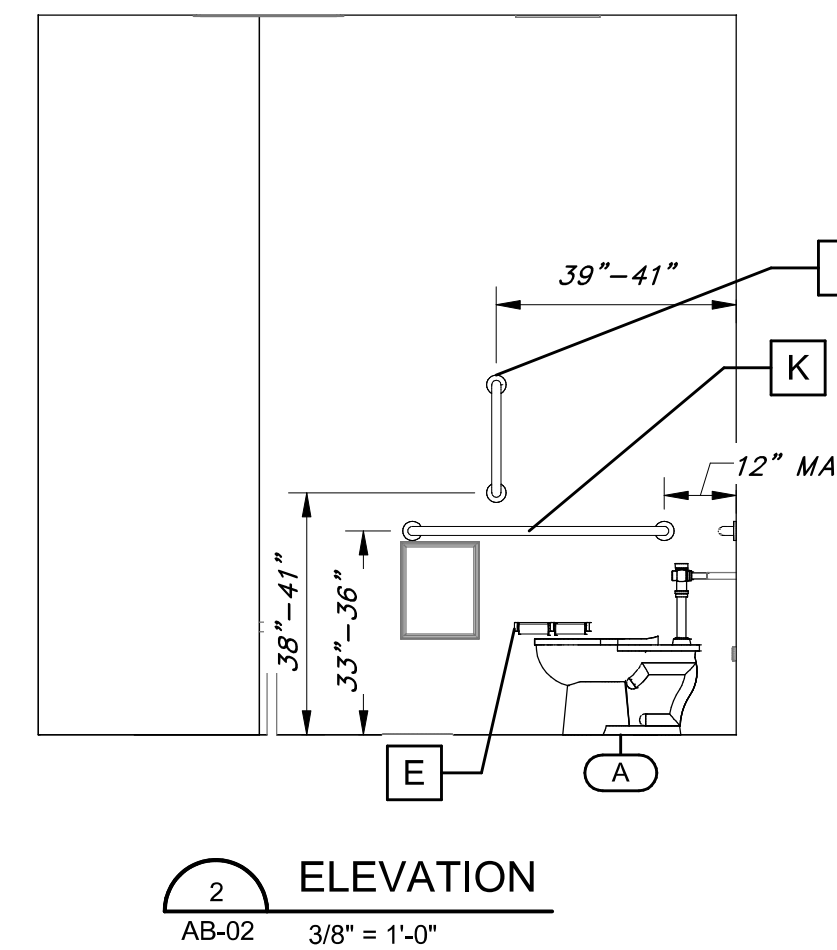
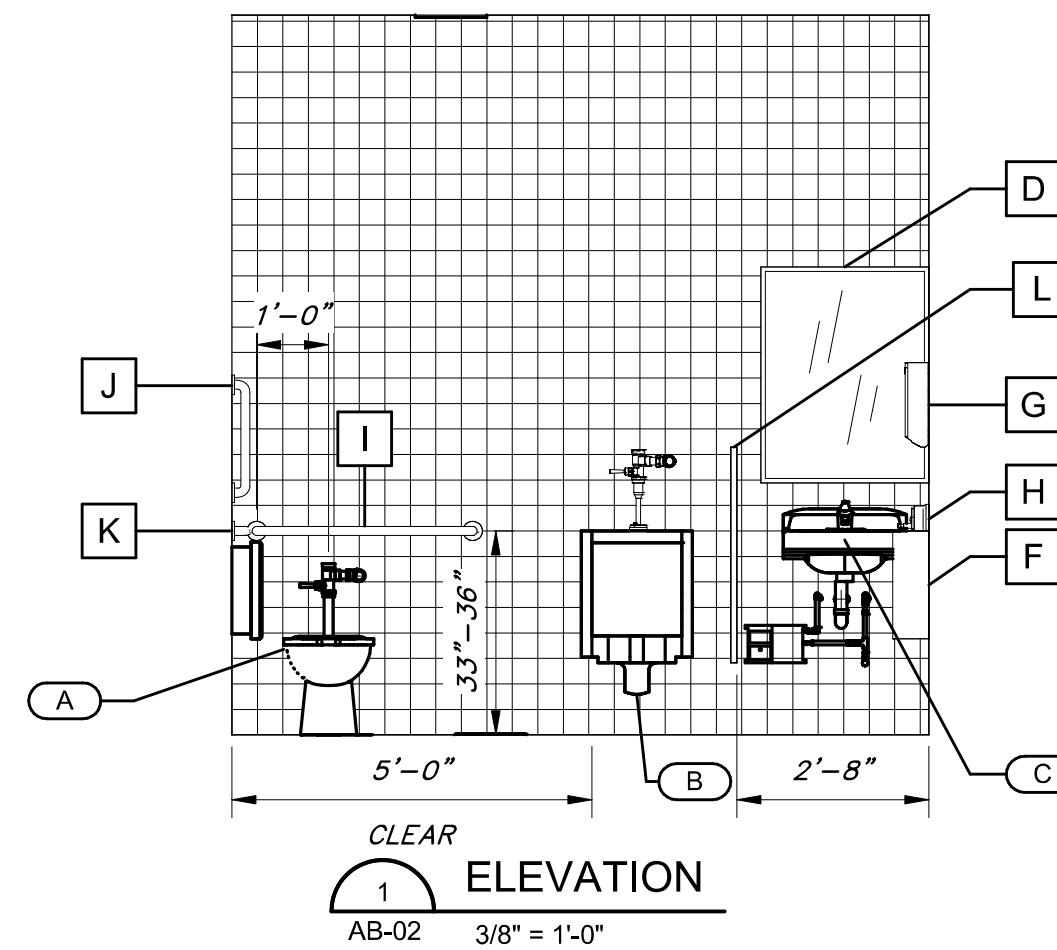
Autodesk Docs: //406493 - Rogers PCF Solids Phase 2/406493-Maintenance Building-BVrvrt



OPERATING LEVEL - REFLECTED CEILING PLAN
3/16" = 1'-0"



ROOF LEVEL - PARTIAL ROOF PLAN
3/16" = 1'-0"



ACCESSORY SCHEDULE			
QTY	TYPE	DESCRIPTION	MOUNTING HEIGHT
1	D	FRAMED MIRROR	3'-6" TO BOTTOM
1	E	SURFACE MOUNTED DOUBLE TOILET TISSUE DISPENSER	1'-6" TO BOTTOM
1	F	SURFACE MOUNTED WASTE RECEPTACLE	2'-10" TO TOP
1	G	SURFACE MOUNTED PAPER TOWEL DISPENSER	4'-0" TO BOTTOM
1	H	SOAP DISPENSER	3'-0" TO TOP
1	I	36" STRAIGHT GRAB BAR @ REAR	3'-0" TO TOP OF GRIP SURFACE
1	J	18" STRAIGHT GRAB BAR @ SIDE	3'-0" TO CENTER OF GRIP SURFACE
1	K	42" STRAIGHT GRAB BAR @ SIDE	3'-0" TO TOP OF GRIP SURFACE
1	L	URINAL PARTITION 24" X 48"	1'-0" TO BOTTOM

- SHEET KEYNOTES**
- HVAC CEILING DEVICE, SEE HVAC DRAWINGS.
 - GYPSUM BOARD CEILING.
 - ACOUSTIC CEILING TILE.
 - INSULATED METAL ROOF CURB AND SHEET METAL FLASHING PAN, SIZE AS REQUIRED BY MECHANICAL EQUIPMENT, PER PEMB BUILDING FABRICATOR. CONFIRM EXACT SIZE WITH PURCHASE EQUIPMENT.
 - STANDING SEAM ROOF.
 - 2" ROOF EXPANSION JOINT. PER PEMB FABRICATOR, AT JOINT BETWEEN NEW AND EXISTING STRUCTURE.
 - EDPM PIPE FLASHING BOOT.
 - ROOF RIDGE FLASHING, BY ROOFING MANUFACTURER.
 - SHEET METAL GUTTER.
 - SHEET METAL ROOF RAKE TRIM, PER ROOFING MANUFACTURER.
 - NOT USED.
 - HVAC ROOF PENETRATIONS, SEE HVAC DRAWINGS.

1" SCALE
ONE INCH AT FULL SIZE IF NOT ONE INCH SCALE ACCORDINGLY

DATE	
REVISION	

REGISTERED ARCHITECT
RICHARD BARTHOLOMEW
8861
08/30/2024
STATE OF ARKANSAS

HAWKINS WEIR ENGINEERS, INC.
Black & Veatch Architects Arkansas, PLLC
Overland Park, Kansas
COA: LL209

BLACK & VEATCH

ROGERS, ARKANSAS
ROGERS POLLUTION CONTROL FACILITY (PCF)
SOLIDS HANDLING IMPROVEMENTS, PHASE II

MAINTENANCE BUILDING - CEILING PLAN,
PARTIAL ROOF PLAN, RESTROOM ELEVATIONS

FOR: ROGERS WATER UTILITIES

DATE: AUGUST 2024
SCALE: As indicated
DESIGNED BY: CAA
DRAWN BY: SJU
HWEI NO.: 2020043
FILENAME:
SHEET NO.
AB-03

