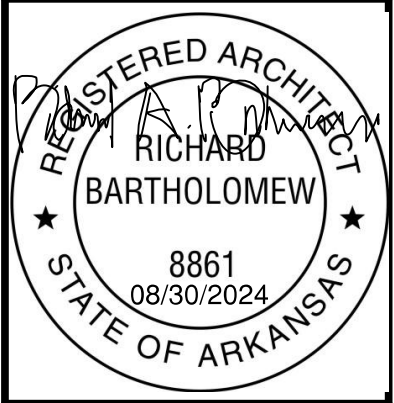


8/27/2024 11:18:14 AM / KMF / DOOR DETAILS

Autodesk Docs: //406493 - Rogers PCF Solids Phase 2/406493-Solids Building-BV.rvt

1" ONE INCH AT FULL SIZE IF NOT ONE INCH SCALE ACCORDINGLY

DATE	
REVISION	



HAWKINS WEIR ENGINEERS, INC.
 Black & Veatch Architects Arkansas, PLLC
 Overland Park, Kansas
 COA: IL209

BLACK & VEATCH

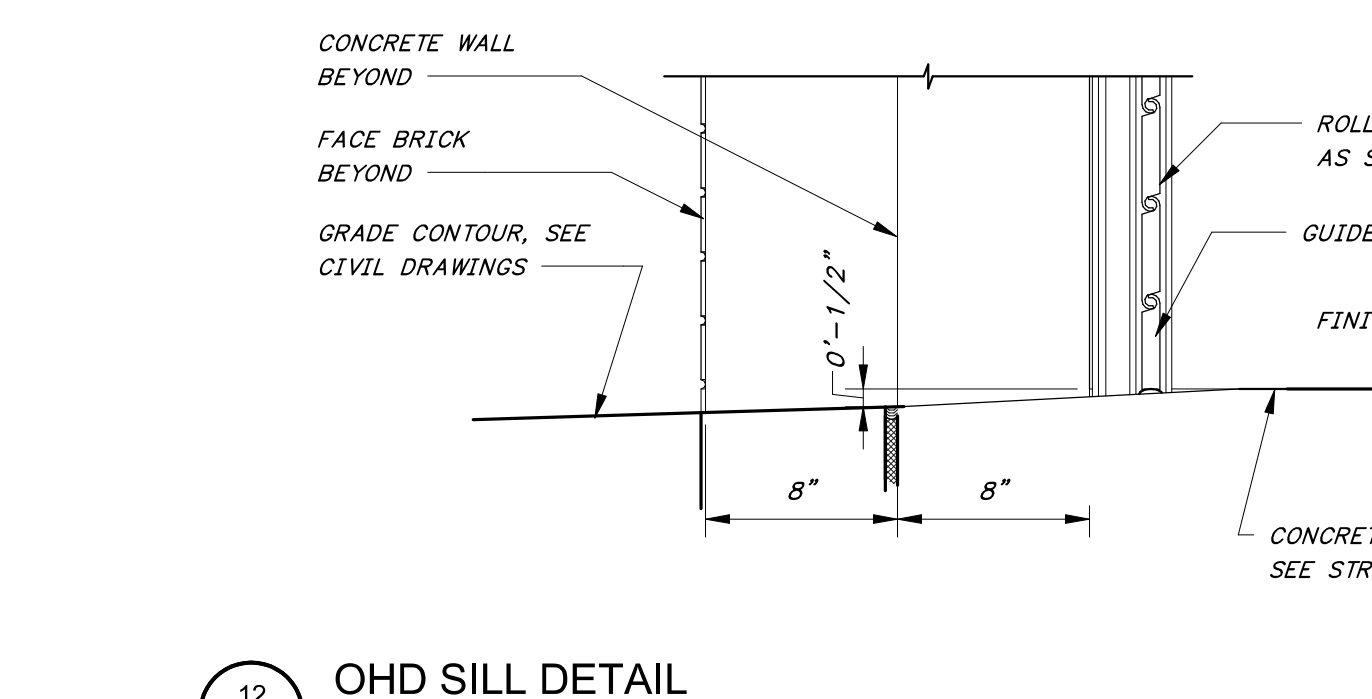
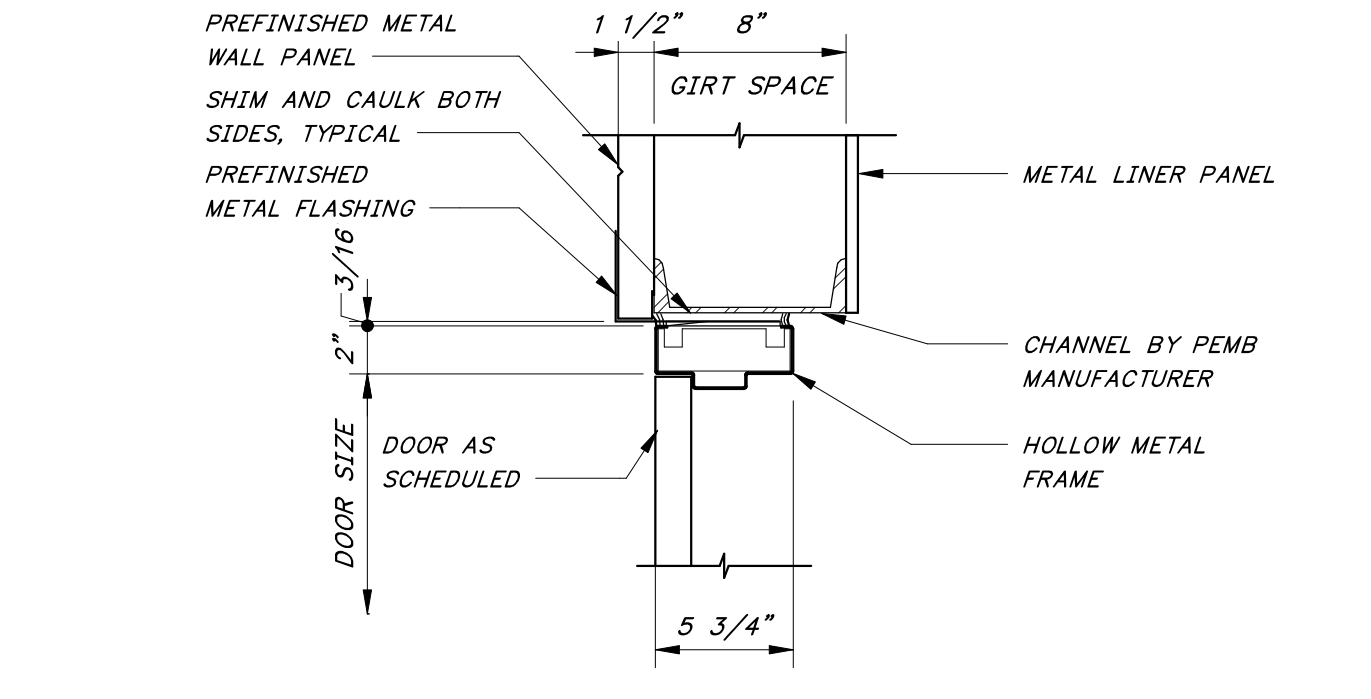
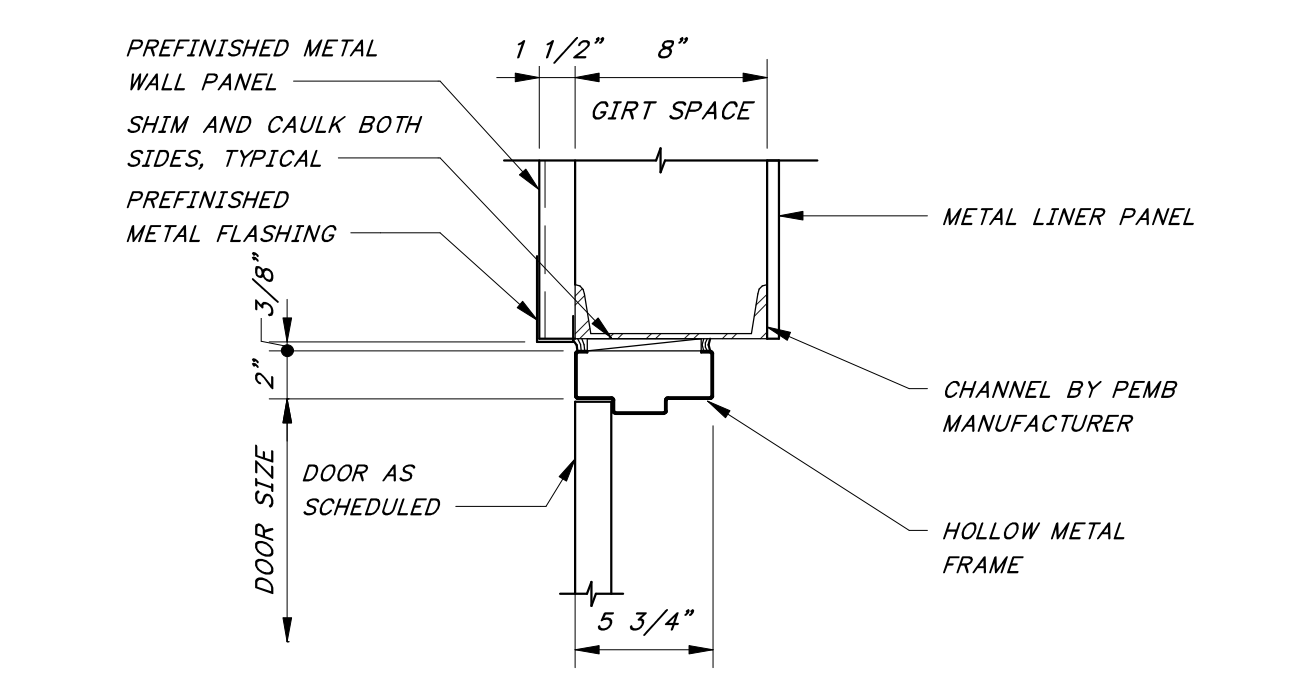
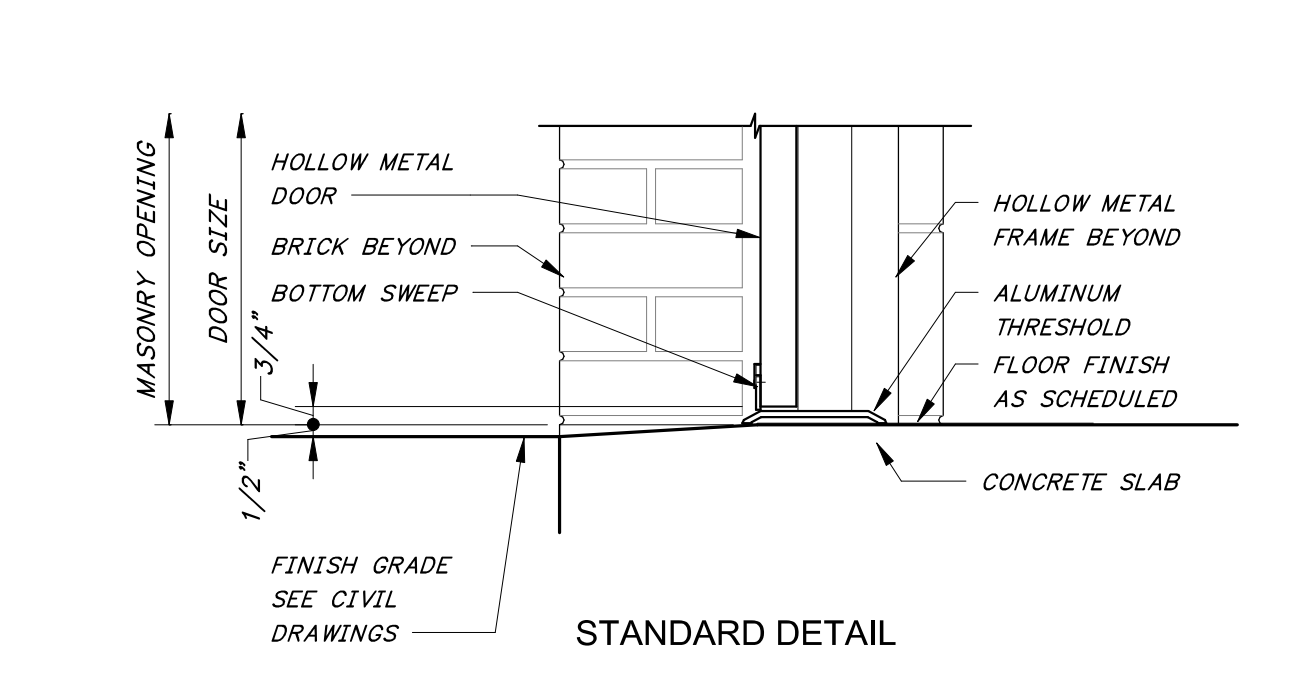
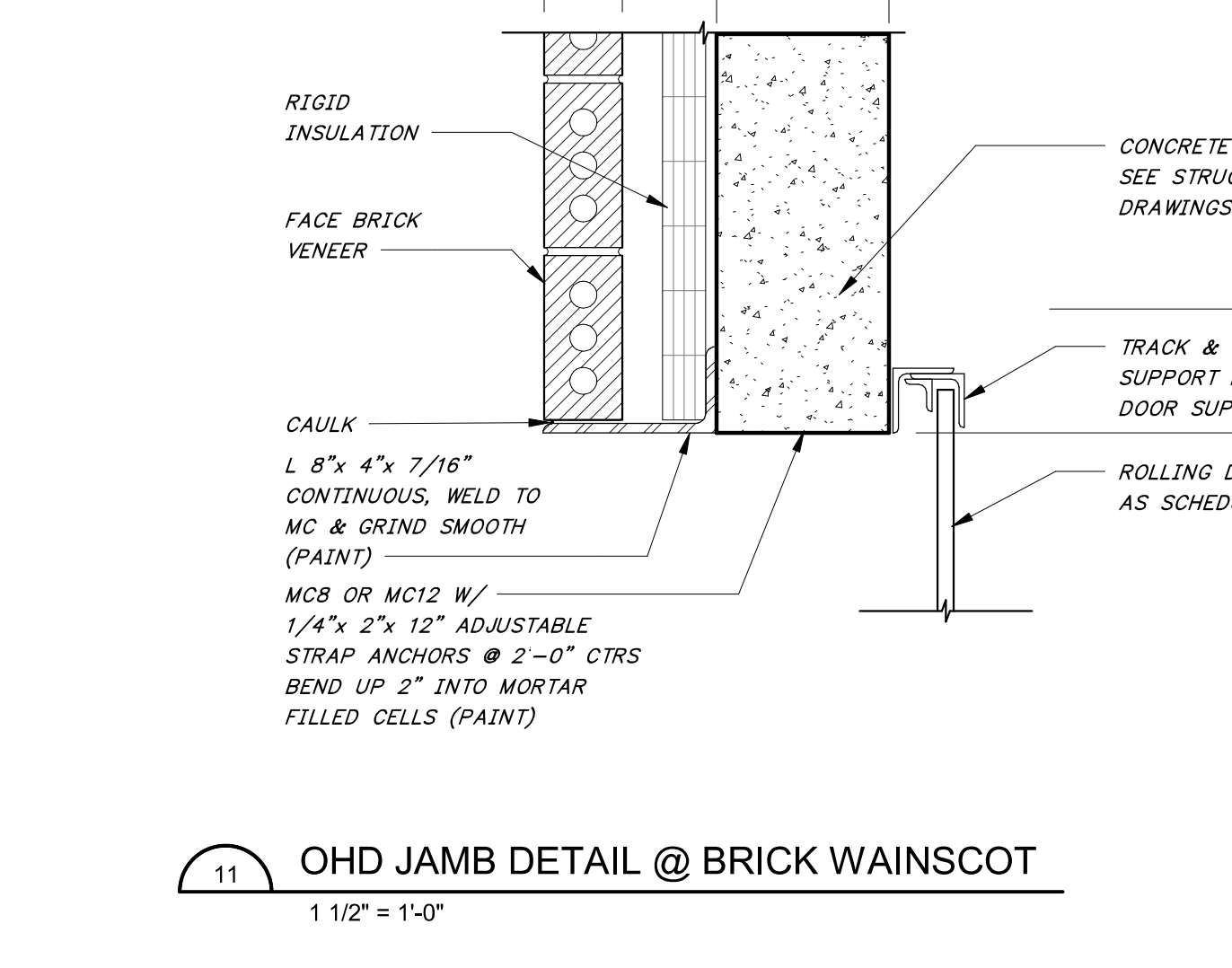
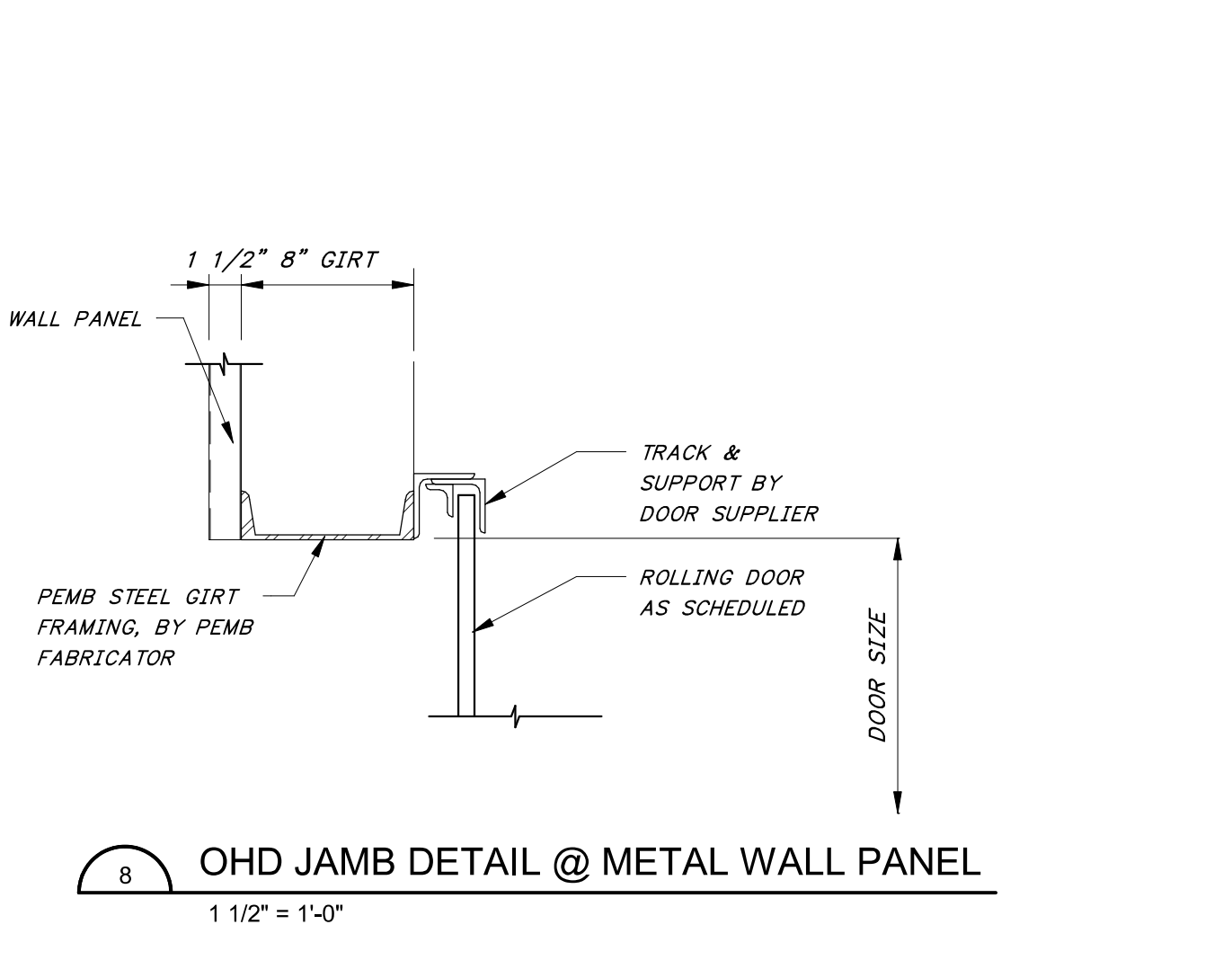
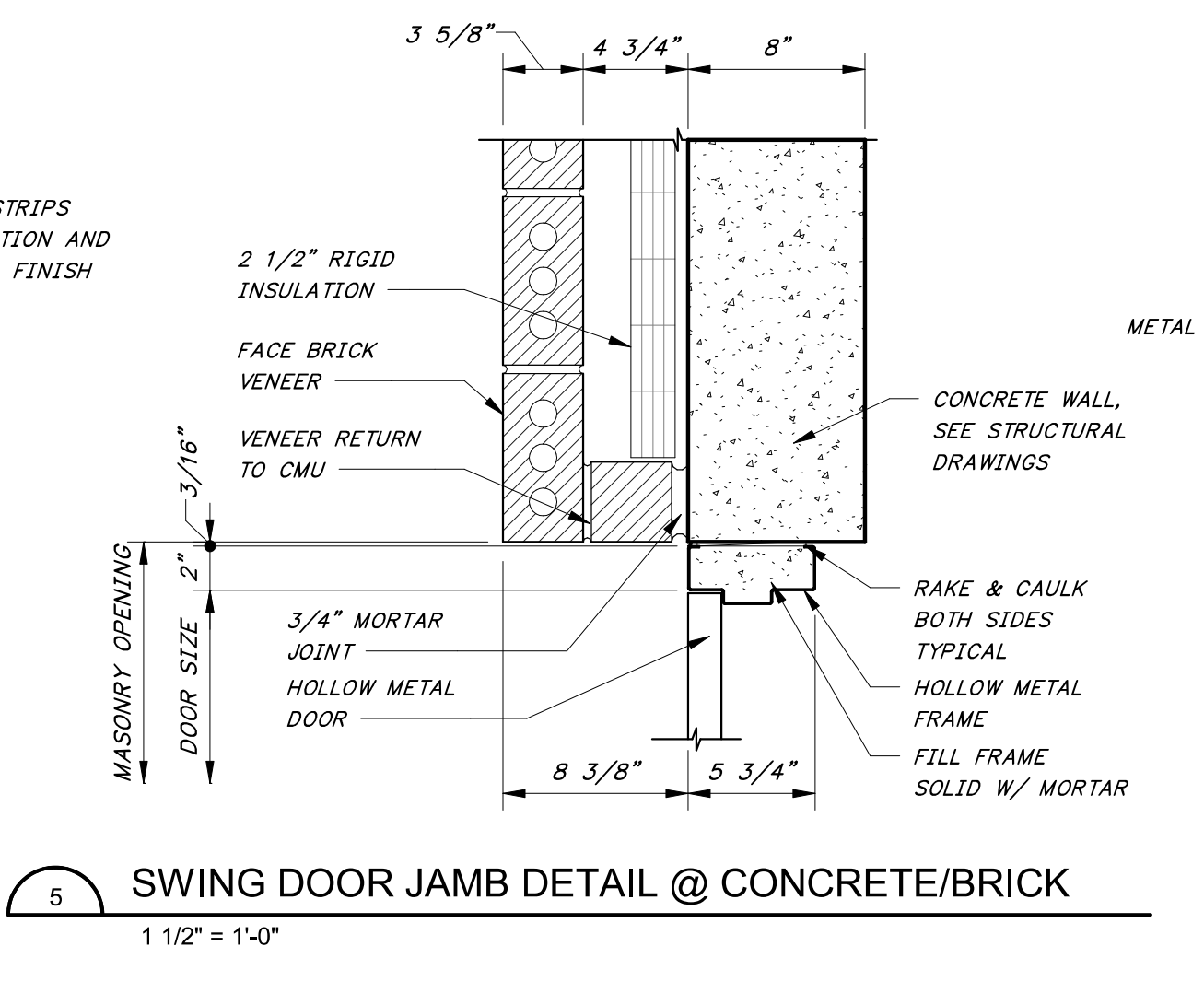
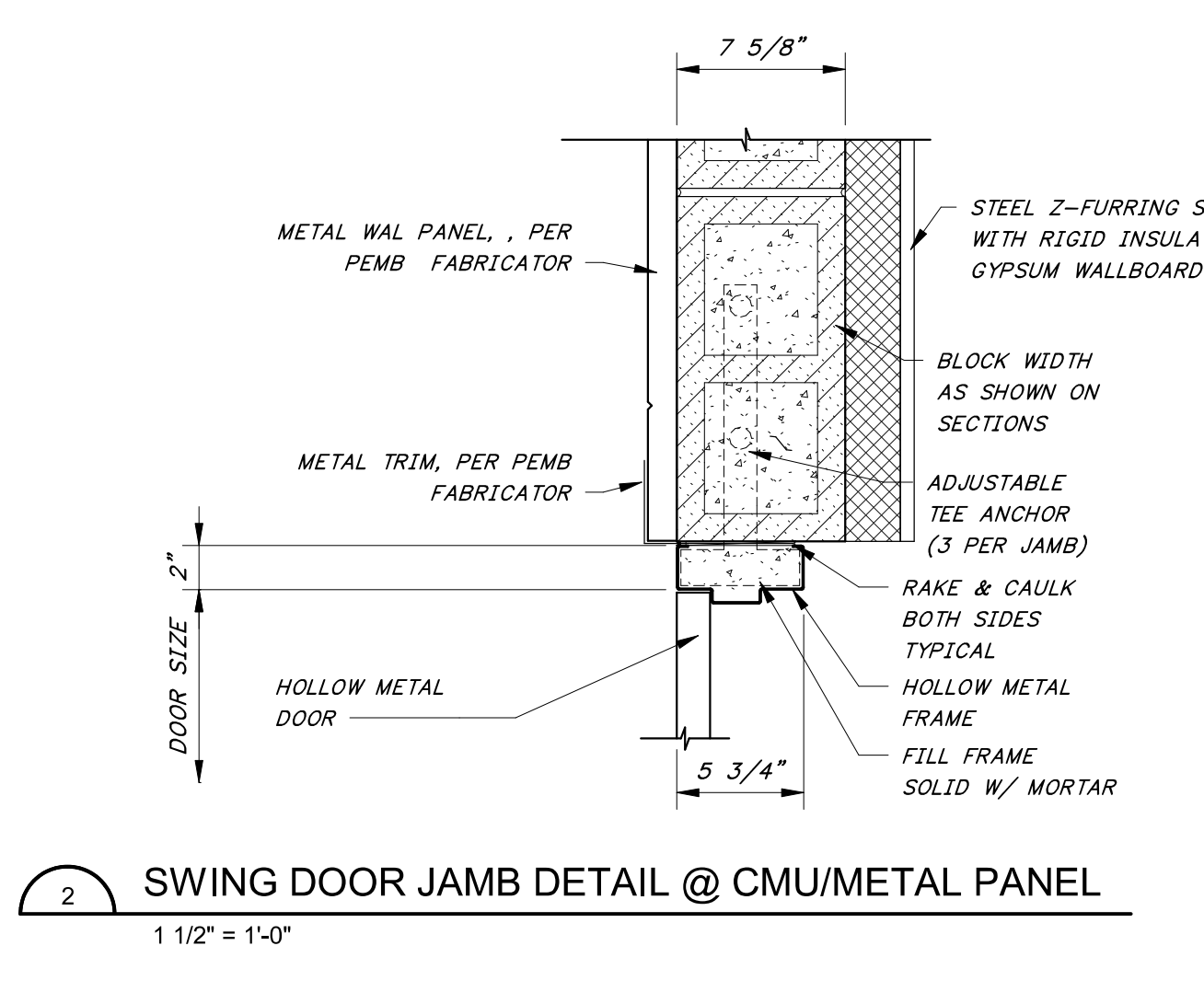
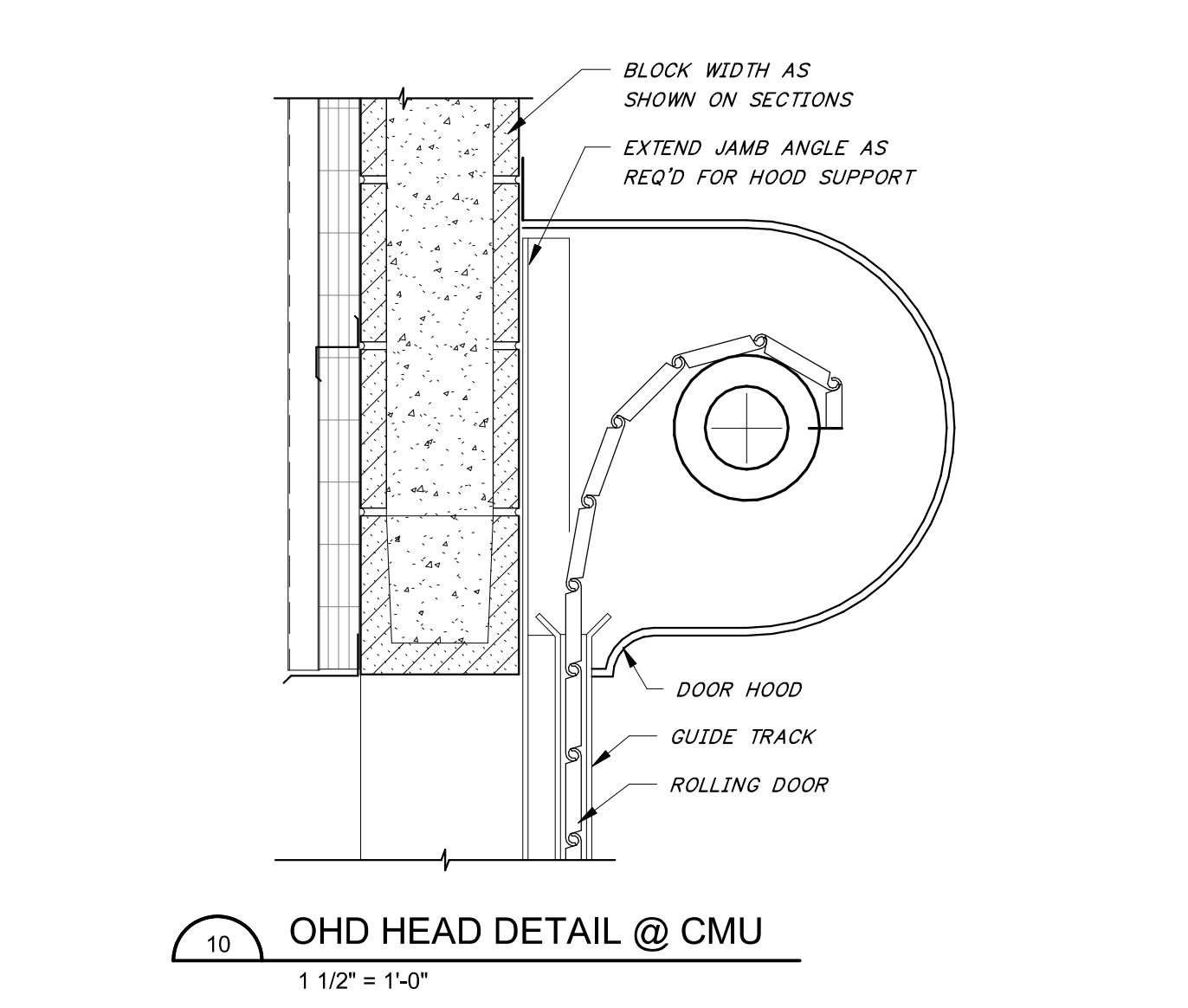
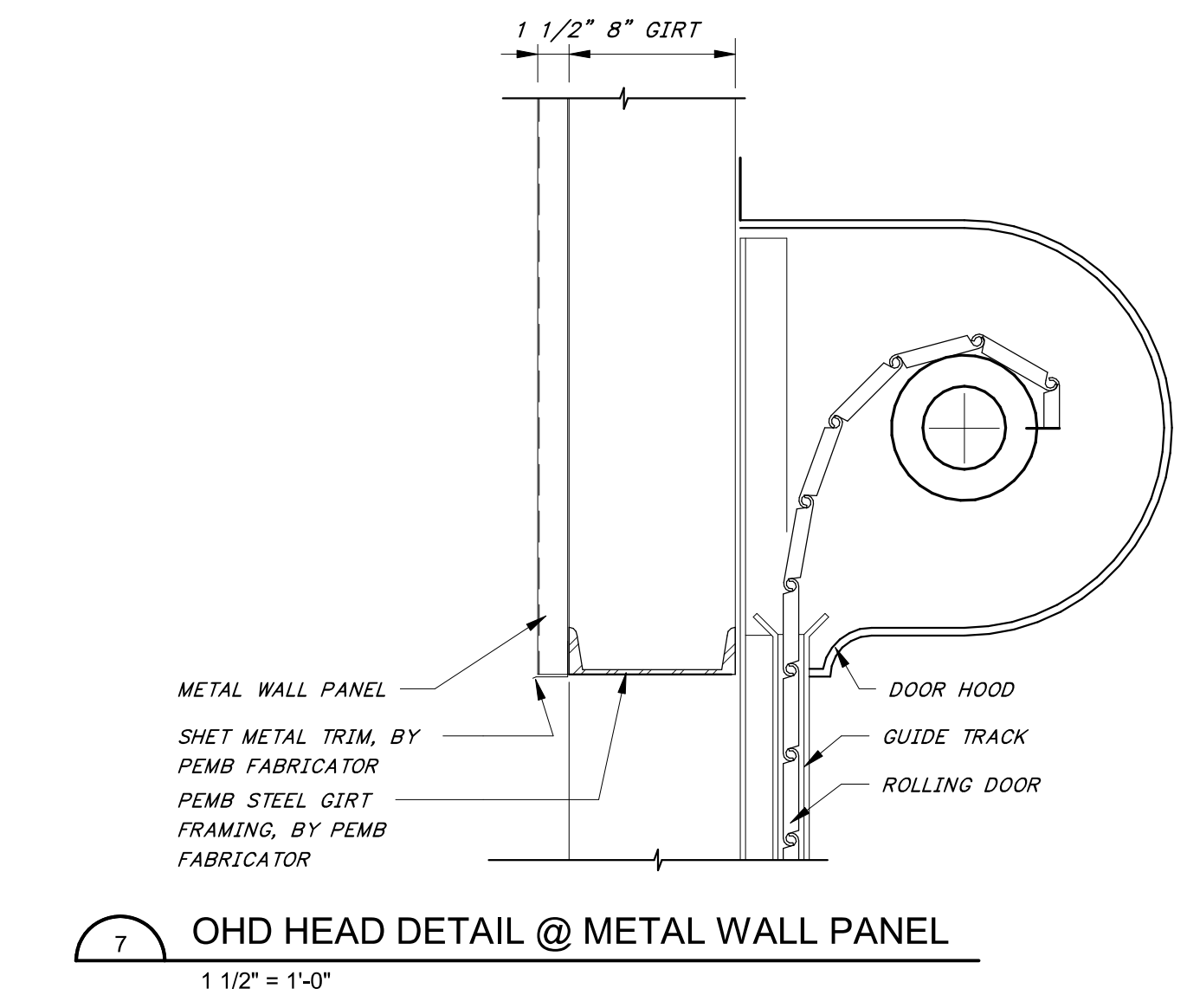
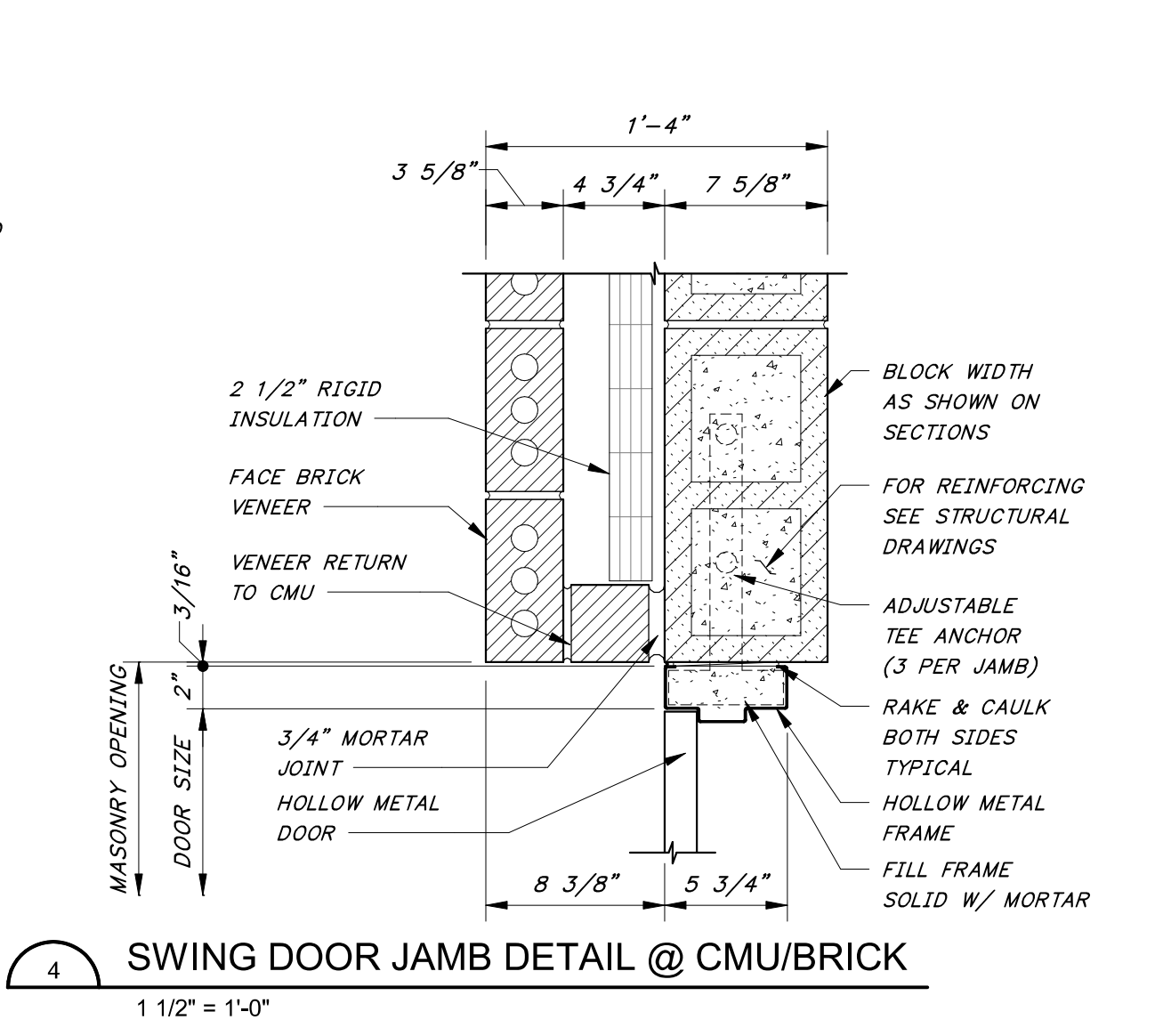
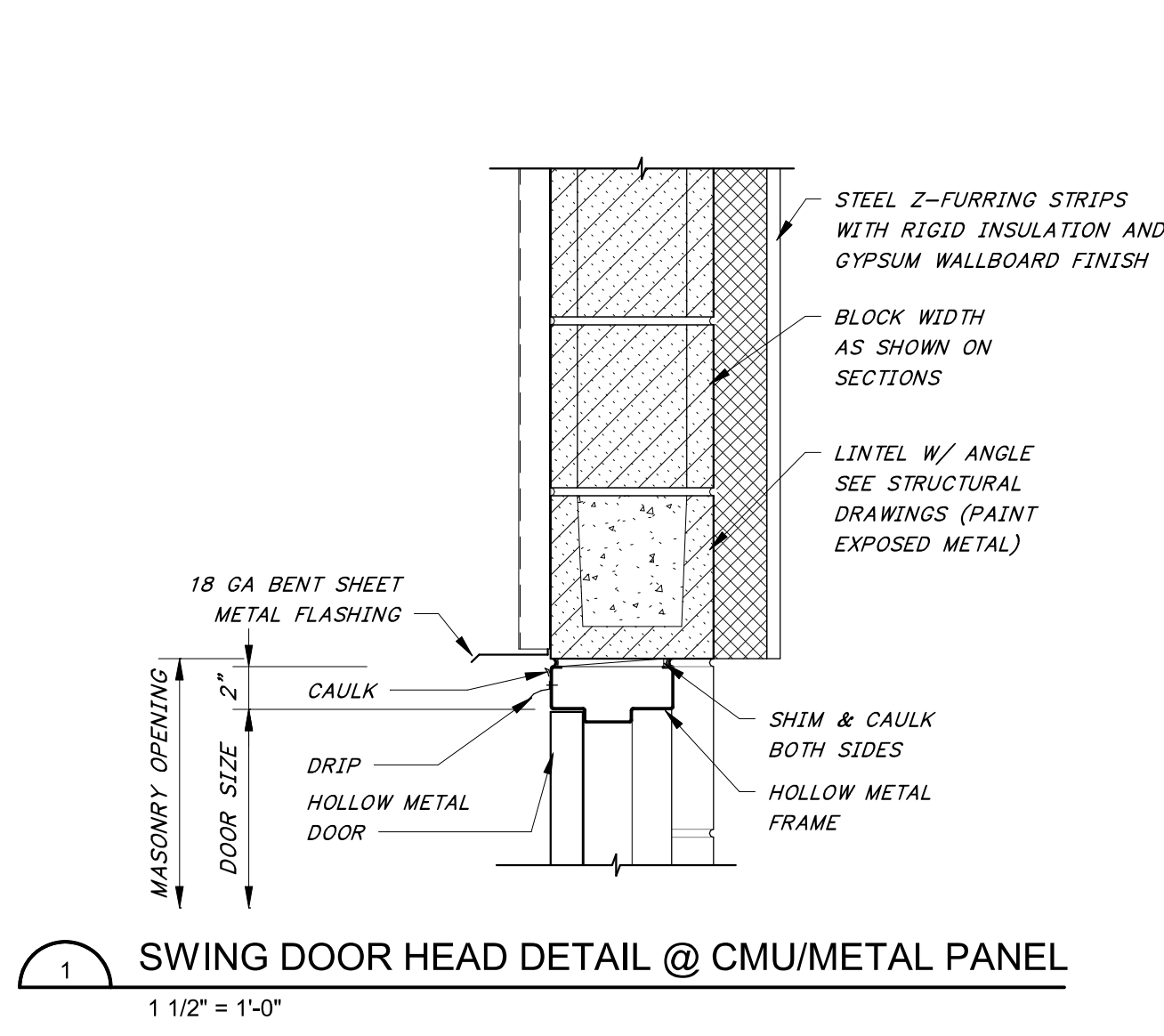
ROGERS, ARKANSAS
 ROGERS POLLUTION CONTROL FACILITY (PCF) SOLIDS HANDLING IMPROVEMENTS, PHASE II

DOOR DETAILS

FOR: ROGERS WATER UTILITIES

DATE: AUGUST 2024
 SCALE: 1 1/2" = 1'-0"
 DESIGNED BY: CAA
 DRAWN BY: KMF
 HWET NO.: 2020043
 FILENAME:

SHEET NO.
AA-10



1 SWING DOOR HEAD DETAIL @ CMU/METAL PANEL
 1 1/2" = 1'-0"

4 SWING DOOR JAMB DETAIL @ CMU/BRICK
 1 1/2" = 1'-0"

7 OHD HEAD DETAIL @ METAL WALL PANEL
 1 1/2" = 1'-0"

10 OHD HEAD DETAIL @ CMU
 1 1/2" = 1'-0"

2 SWING DOOR JAMB DETAIL @ CMU/METAL PANEL
 1 1/2" = 1'-0"

5 SWING DOOR JAMB DETAIL @ CONCRETE/BRICK
 1 1/2" = 1'-0"

8 OHD JAMB DETAIL @ METAL WALL PANEL
 1 1/2" = 1'-0"

11 OHD JAMB DETAIL @ BRICK WAINSCOT
 1 1/2" = 1'-0"

3 SWING DOOR SILL DETAIL @ CMU
 1 1/2" = 1'-0"

6 HEAD @ METAL WALL PANEL
 1 1/2" = 1'-0"

9 JAMB @ METAL WALL PANEL
 1 1/2" = 1'-0"

12 OHD SILL DETAIL
 1 1/2" = 1'-0"