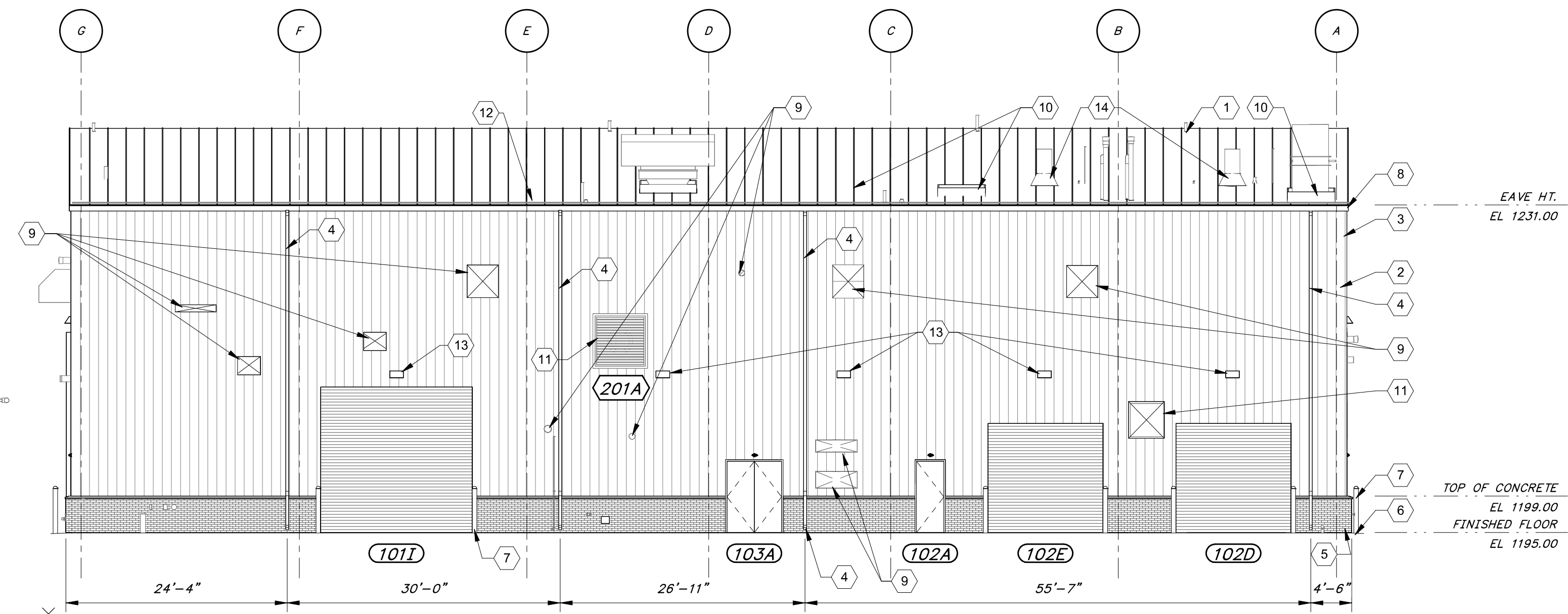
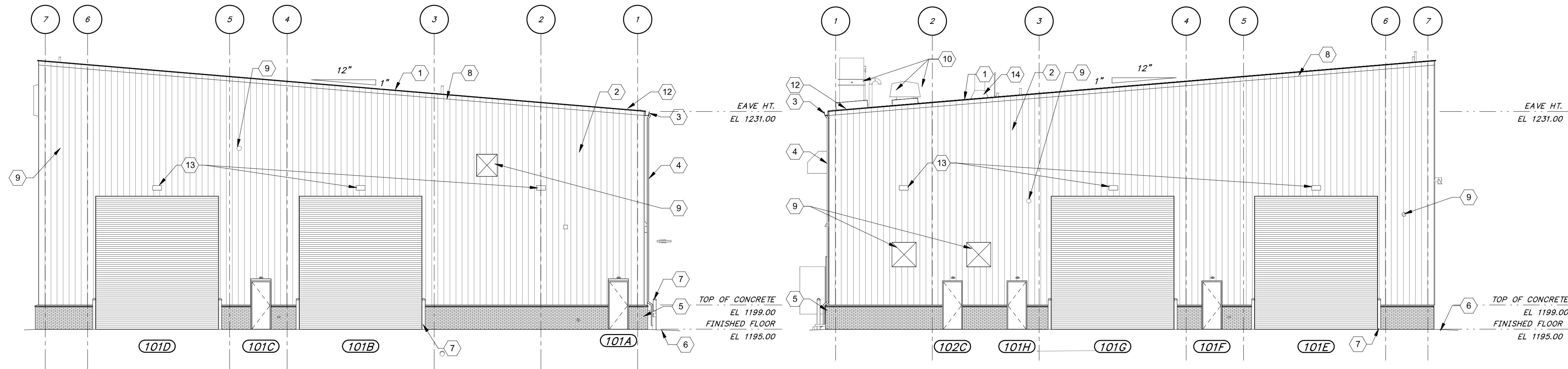


8/27/2024 11:19:17 AM / KMF / DRYER BUILDING - ELEVATIONS

Autodesk Docs: //406493 - Rogers PCF Solids Phase 2/406493-Solids Building-BV.rvt

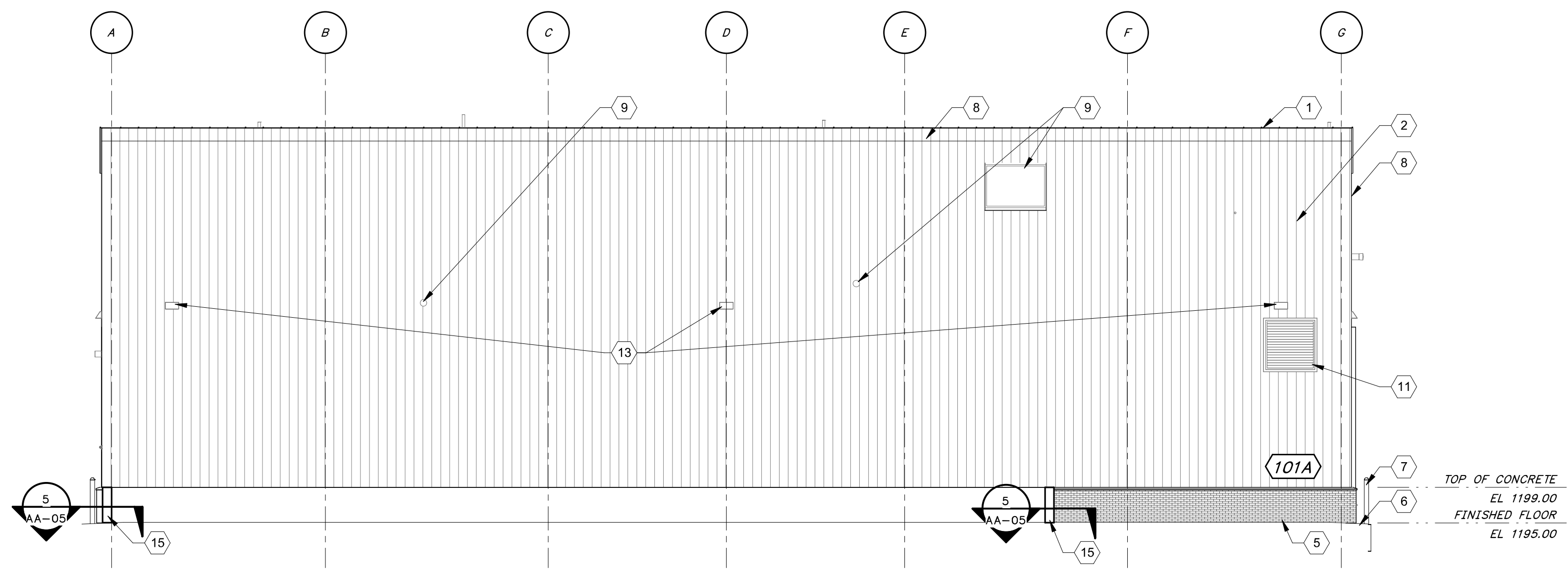


WEST ELEVATION
3/32" = 1'-0"



NORTH ELEVATION
3/32" = 1'-0"

SOUTH ELEVATION
3/32" = 1'-0"

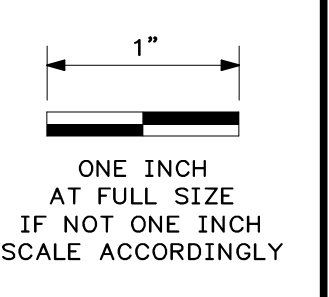


EAST ELEVATION
3/32" = 1'-0"

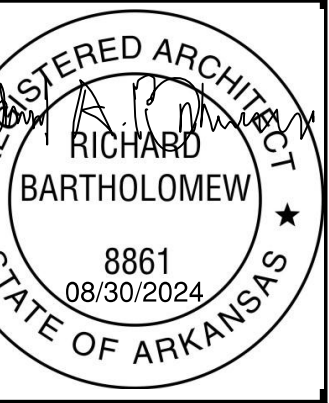
GENERAL SHEET NOTES

SHEET KEYNOTES

1. STANDING SEAM METAL ROOF
2. METAL WALL PANELING, BY PEMB MANUFACTURER
3. SHEET METAL GUTTER
4. SHEET METAL DOWNSPOUTS AND SPLASH BLOCK
5. ANCHORED BRICK MASONRY
6. GRADING CONTOUR, SLOPE TO DRAIN AWAY FROM BUILDING
7. BOLLARDS, SEE CIVIL DRAWINGS
8. SHEET METAL TRIM, BY PEMB MANUFACTURER
9. MECHANICAL PIPING/DUCTWORK WALL PENETRATIONM COORDINATE EXACT SIZE WITH PURCHASE EQUIPMENT, SEE MECHANICAL DRAWINGS.
10. INSULATED METAL ROOF CURB FOR MECHANICAL EQUIPMENT, COORDINATE EXACT SIZE WITH PURCHASED EQUIPMENT, SEE MECHANICAL DRAWINGS.
11. HVAC EQUIPMENT LOUVER, SEE HVAC DRAWINGS.
12. SNOW GUARD.
13. LIGHT FIXTURES, SEE ELECTRICAL DRAWINGS
14. EDPM FLASHING BOOTS
15. CAST-IN-PLACE CONCRETE RETAINING WALL.



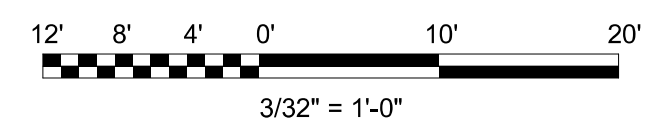
DATE	REVISION



HAWKINS WEIR ENGINEERS, INC.
 BLACK & VEATCH
 REGISTERED ARCHITECT
 RICHARD BARTHOLOMEW
 8861
 08/30/2024
 STATE OF ARKANSAS
 Black & Veatch Architects Arkansas, PLLC
 Overland Park, Kansas
 COA: IL209

ROGERS, ARKANSAS
 ROGERS POLLUTION CONTROL FACILITY (PCF) SOLIDS
 HANDLING IMPROVEMENTS, PHASE II
 DRYER BUILDING - ELEVATIONS
 FOR: ROGERS WATER UTILITIES

DATE: AUGUST 2024
 SCALE: 3/32" = 1'-0"
 DESIGNED BY: CAA
 DRAWN BY: KMF
 HWEI NO.: 2020043
 FILENAME:



SHEET NO. AA-04