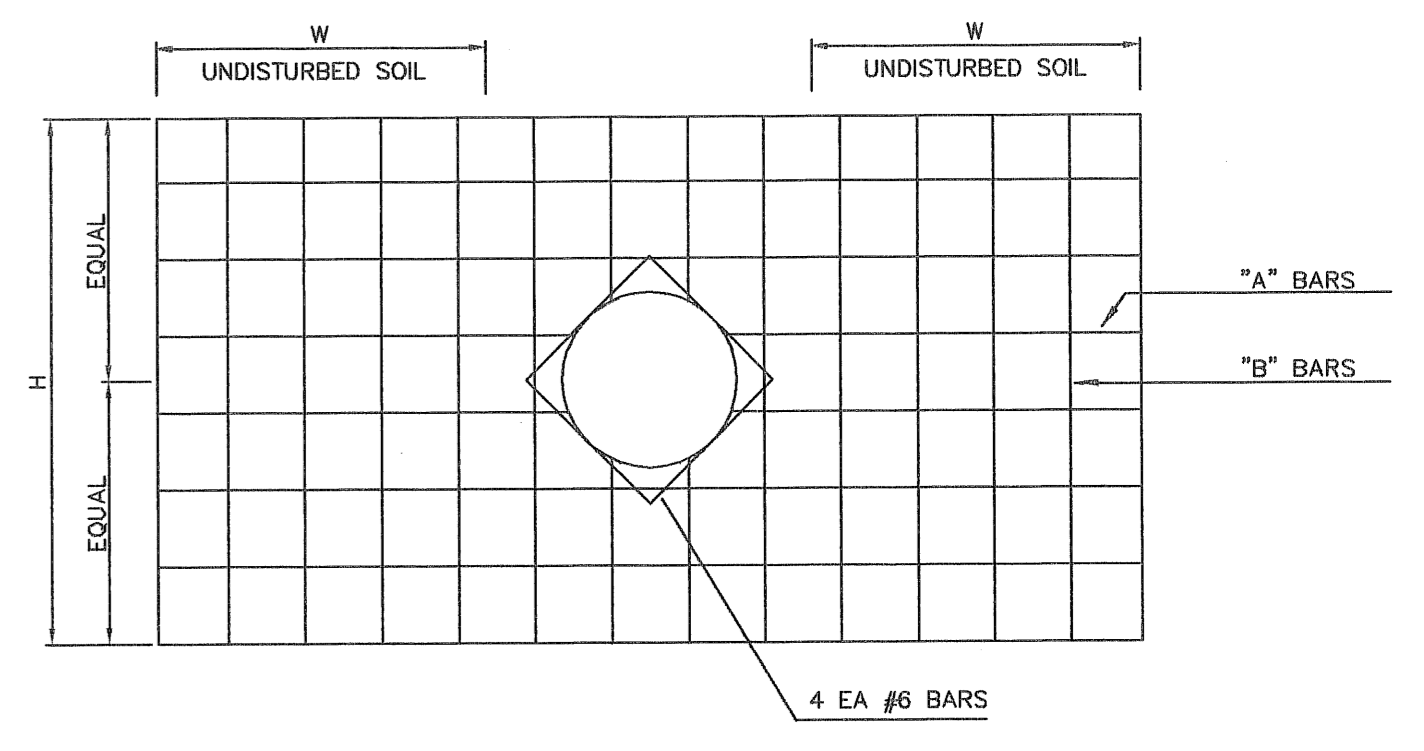
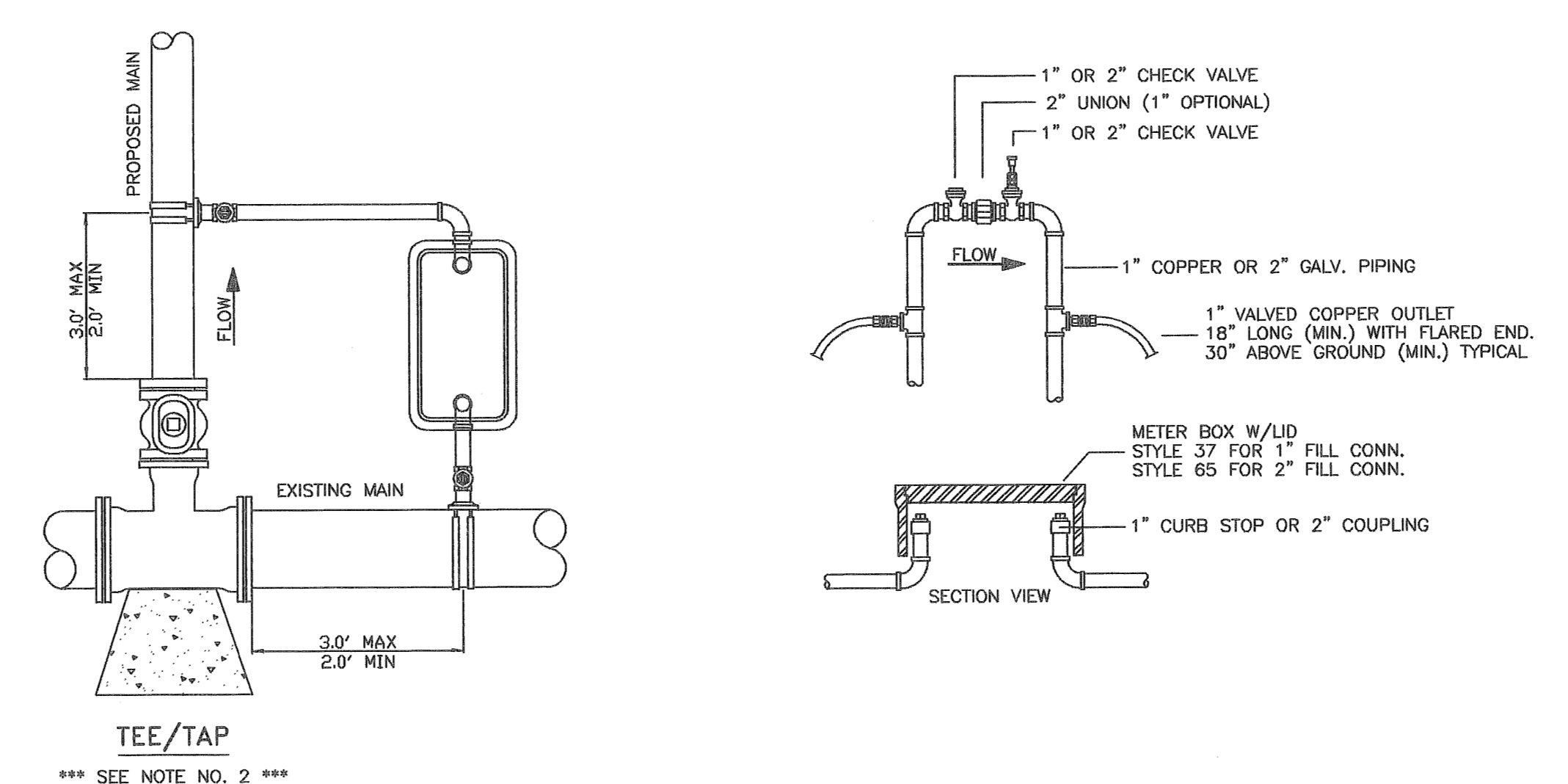


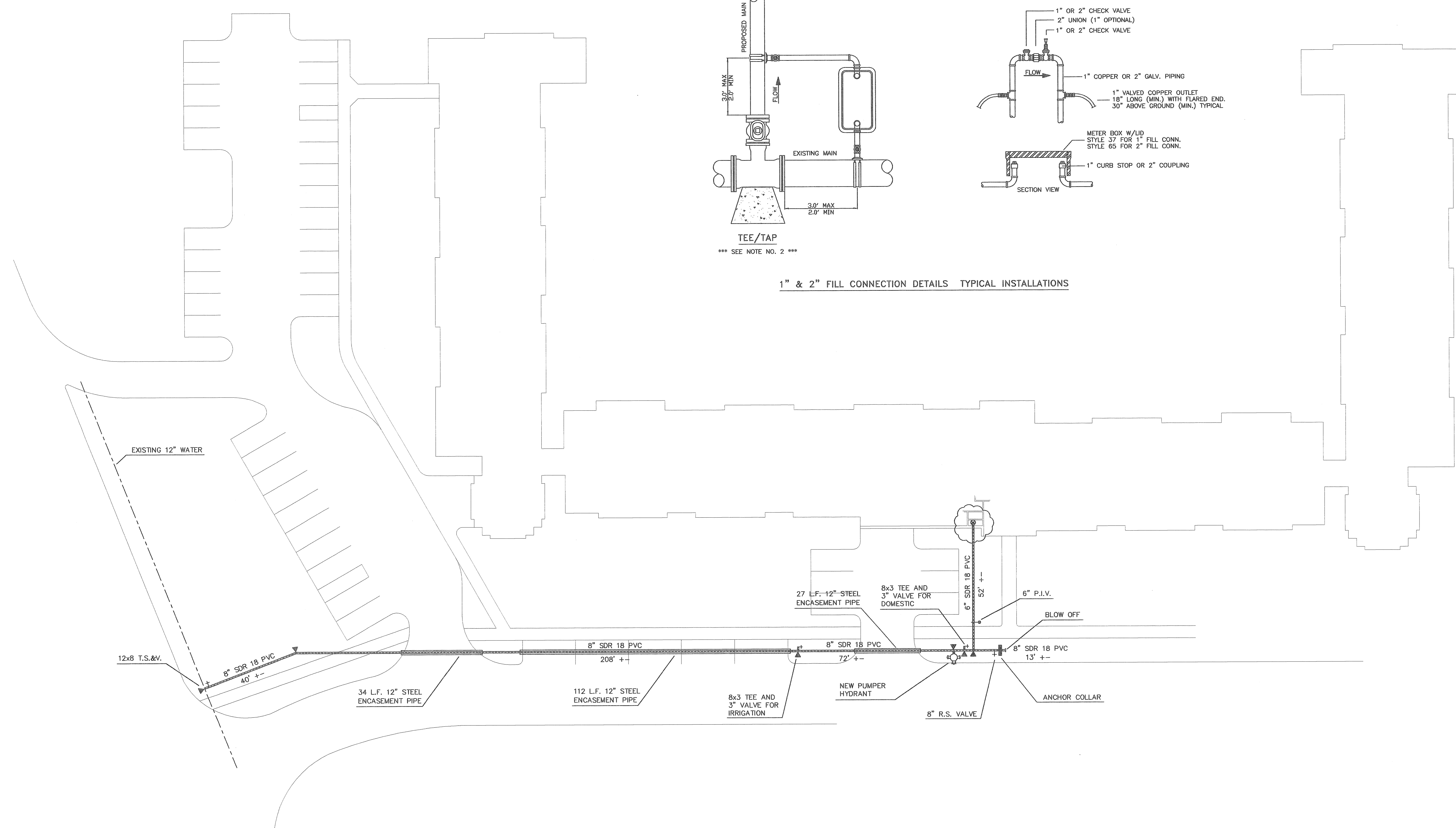
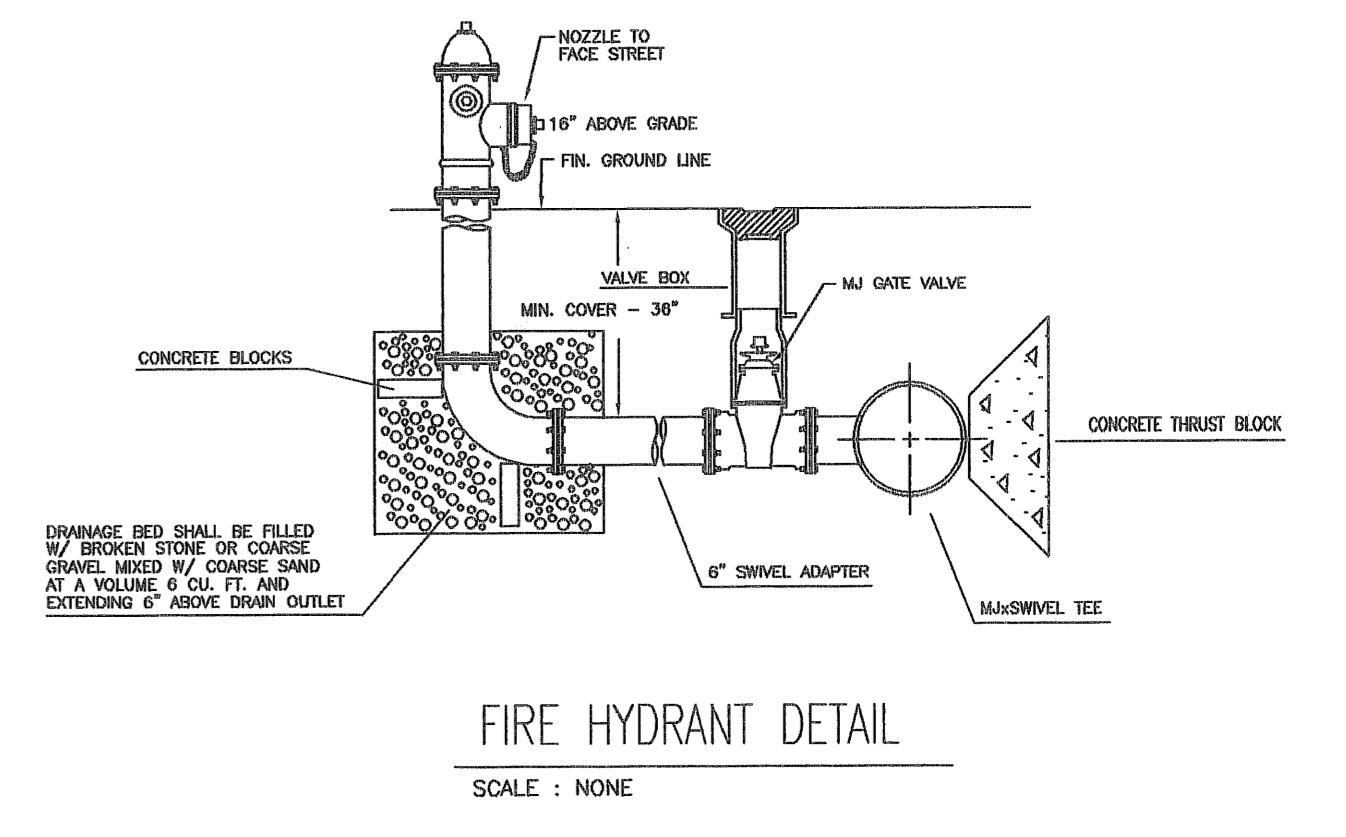
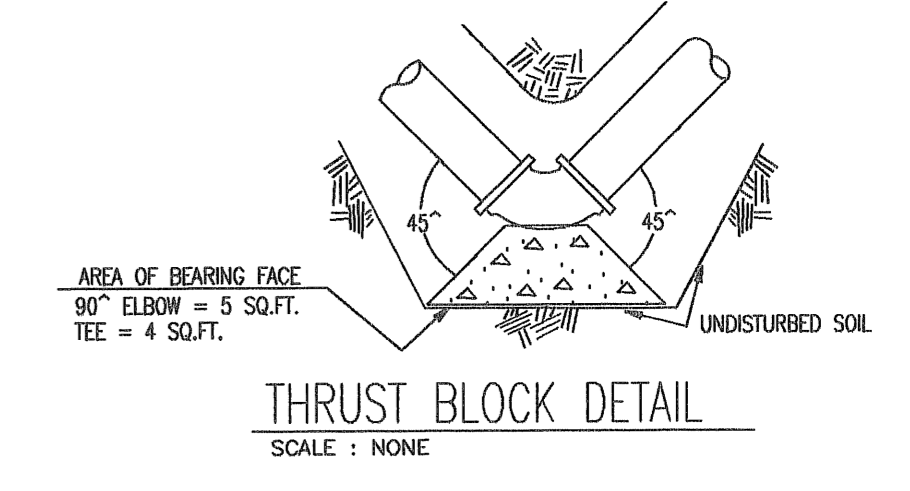
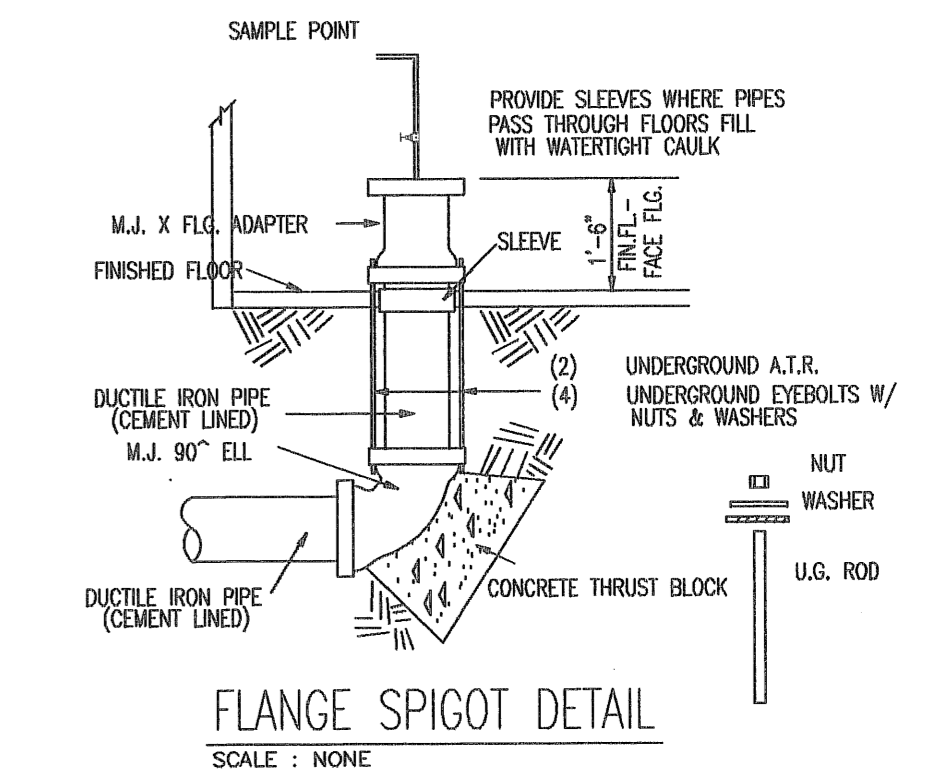
- NOTES:
- 2-INCH FILL CONNECTIONS ARE REQUIRED ON ALL MAINS, 12-INCH'S AND LARGER. 1-INCH FILL CONNECTIONS SHALL BE USED ON ALL MAINS SMALLER THAN 12-INCH'S EXCEPT FOR MAINS WITH TEMPORARY END TO END CONNECTIONS.
 - FULL SIZE CONNECTIONS WILL BE ALLOWED ONLY WITH WRITTEN APPROVAL OF LRAFB. THESE CONNECTIONS SHALL HAVE A VALVE BOX TO ACCEPT "TYLER 7 1/2" LOCKING LID. VALVES SHALL BE OPERATED BY LRAFB PERSONNEL. ONLY ALL OTHER CONNECTIONS TO EXISTING FACILITIES SHALL CONTAIN A CHECK VALVE.
 - 2" BLOWOFFS ARE REQUIRED ON ALL MAINS 6" AND LARGER LESS THAN 200 LF WITH NO FIRE HYD.
 - AFTER APPROVAL OF SAMPLES, CLOSE CURB STOPS AND REMOVE FILL ASSEMBLY. FOR 2" PERMANENT CONNECTIONS, CLOSE 2" VALVES, REMOVE FILL ASSEMBLY AND PLUG COUPLINGS. TEMPORARY CONNECTIONS, SHALL HAVE ALL PIPING REMOVED AT MAIN CONNECTION POINTS, AND 2" VALVES PLUGGED.



PIPE SIZE	DIMENSIONS			M	REINFORCING BARS	
	W	H	T		"A" BARS	"B" BARS
8"	1.5'	2.5'	1'	M.J. RETAINER GLAND	#6 @ 6"	#6 @ 6"



1" & 2" FILL CONNECTION DETAILS TYPICAL INSTALLATIONS

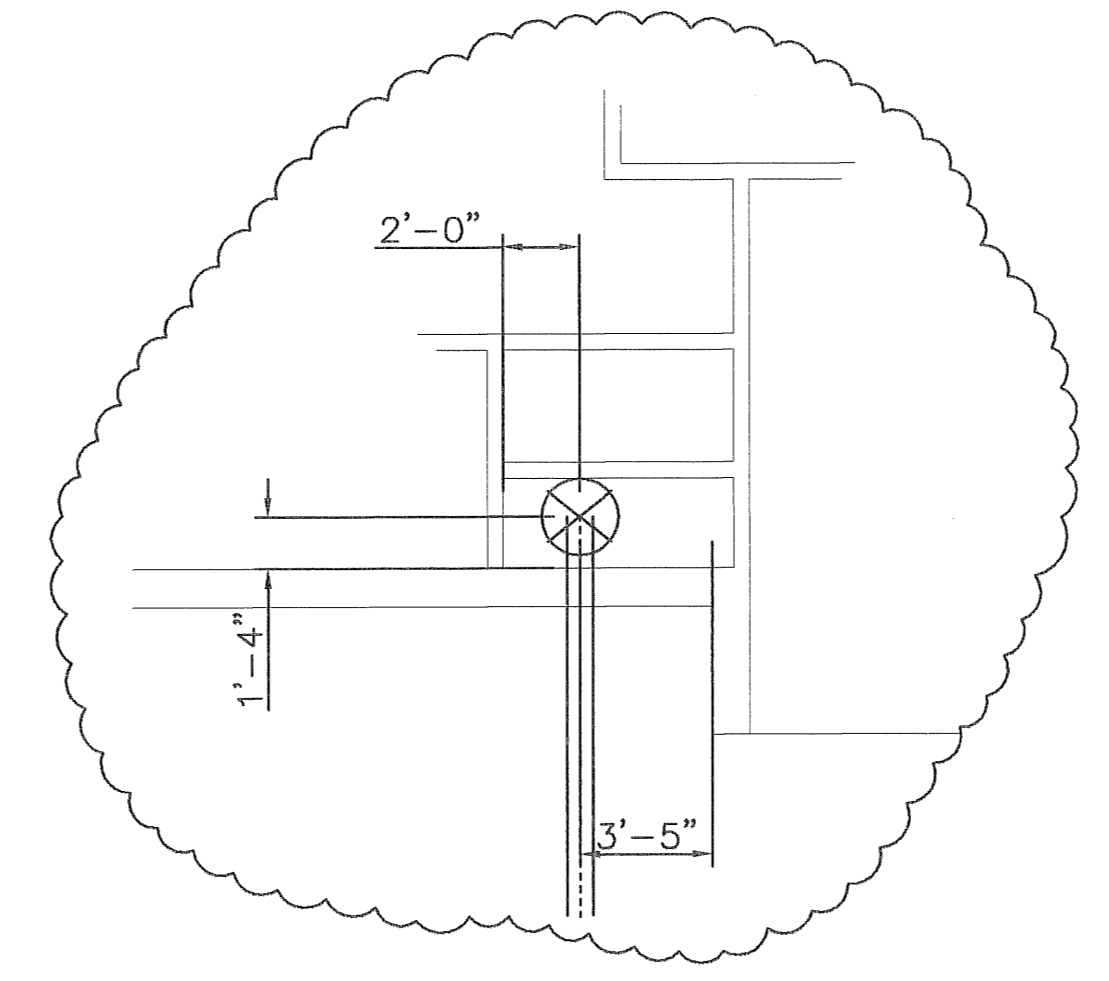
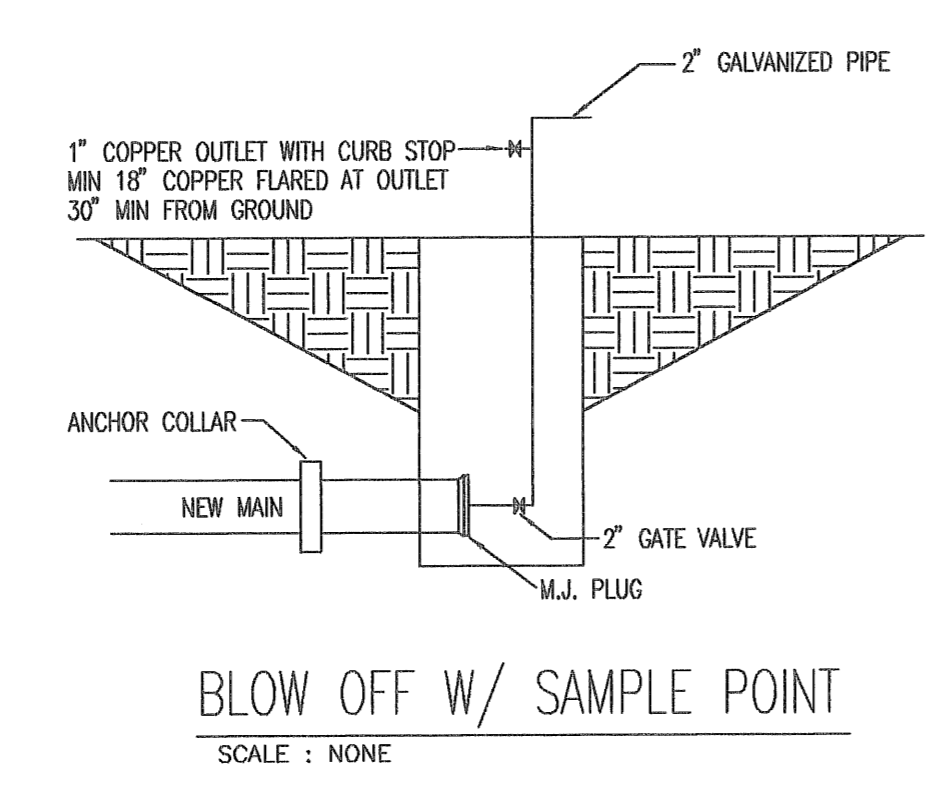


FIRE PROTECTION SITE PLAN



UNDERGROUND NOTES

UNDERGROUND PIPING & FITTINGS TO BE RODDED & THRUST BLOCKED ACCORDING TO NFPA-24, A.W.W.A. AND ANY OTHER STANDARDS THAT MAY APPLY.
 INSTALLATION TO BE IN ACCORDANCE WITH STATE & LOCAL A.H.J.'S.
 UNDERGROUND PIPE TO BE FLUSHED IN ACCORDANCE WITH NFPA-24 AND A.W.W.A.
 UNDERGROUND PIPING TO BE HYDROSTATICALLY TESTED WITH ALLOWABLE LEAKAGE IN ACCORDANCE WITH NFPA-24, AND A.W.W.A. 825/C-600.
 ALL UNDERGROUND PIPING TO BE CHLORINATED AS PER REQUIREMENTS OF THE STATE HEALTH DEPARTMENT, AND A.W.W.A. C-651.
 CHLORINATION TEST TO BE DONE ON BASIS OF 50 P.P.M. OVER 24 HR. PERIOD.
 UNDERGROUND PIPING IS U.L. LISTED
 () CLASS 150 PVC C-900 DR-16
 () CLASS 200 PVC C-900 DR-14
 () CLASS 50 DUCTILE IRON
 ALL DUCTILE IRON PIPE IS CEMENT LINED AND SHALL BE ENCASED IN POLYETHYLENE TUBING.
 THIS UNDERGROUND SYSTEM DOES NOT FEED AND IS NOT CONNECTED TO AN ANTIFREEZE SYSTEM.
 ▲—THRUST BLOCKING SYMBOL



REVISIONS	PROJECT	Date:
	L.R.A.F.B. TEMPORARY LODGING FACILITY LRAFB, ARKANSAS	9-5-02
	ARKANSAS AUTOMATIC SPRINKLER INC. P.O. BOX 1370 CABOT, ARKANSAS 72023 (501) 643-9392	Scale: 1" = 20'
	CONTRACT ALESSI-KEYES	Job No. 02-419
	APPROVAL AUTHORITY GOVERNMENT	Drawn By D. PITTS
		Sheet No. 1 OF 1