

LITTLE ROCK A.F.B.
ARKANSAS

OWNER	CHIEF ENGINEER
CHIEF OF OPERATIONS	BIO ENVIRONMENTAL ENG.
FIRE CHIEF	SAFETY
PROGRAM MANAGER	USING AGENCY

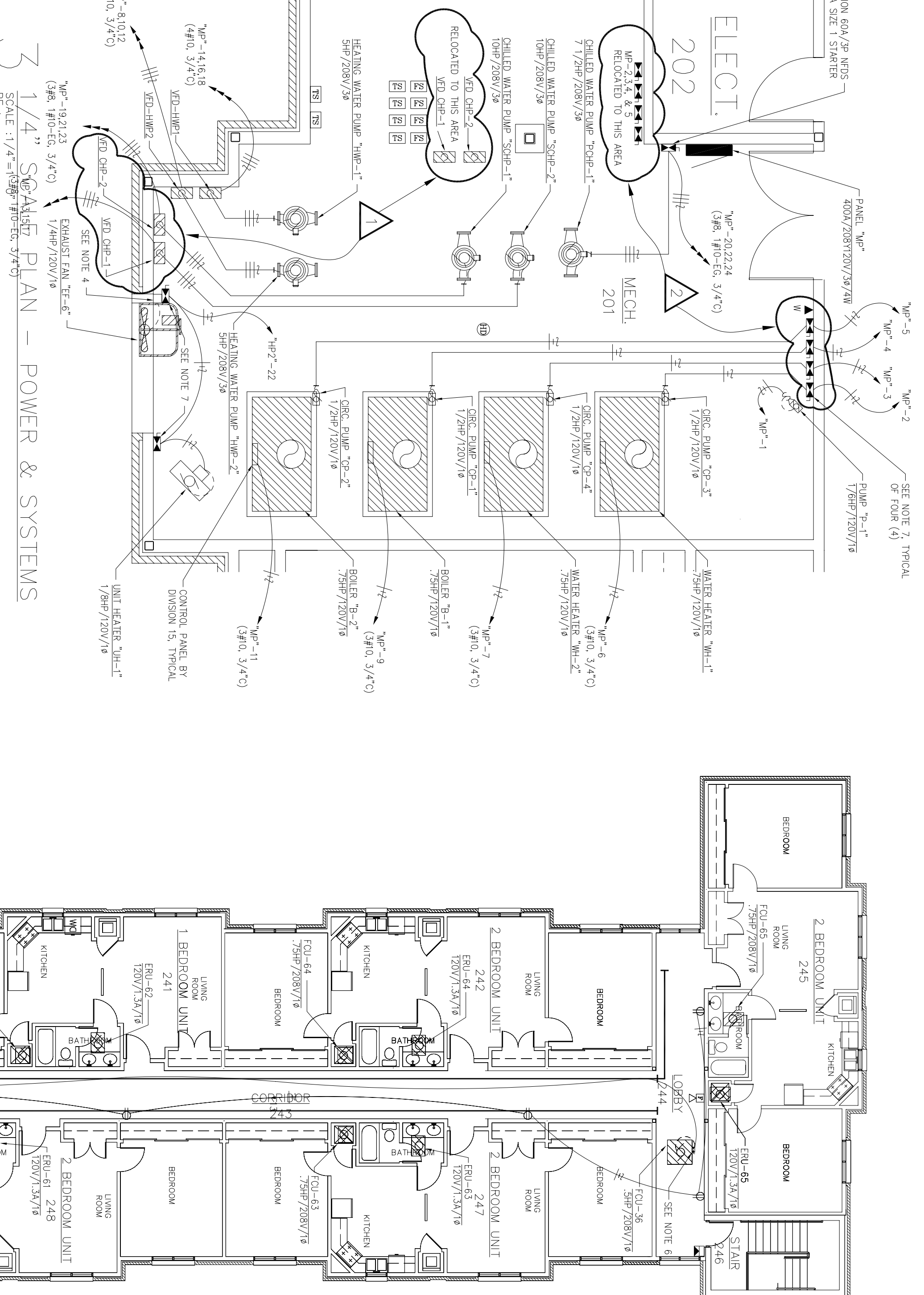
No.	Revision/Issue	Date	BY	APP'D
2	Relocated MP-2, 3, 4, & 5 to the locations noted			
1	Relocated VFD CHP-1 & 2 to the locations noted			

PROJECT TITLE
TEMPORARY LODGING FACILITY

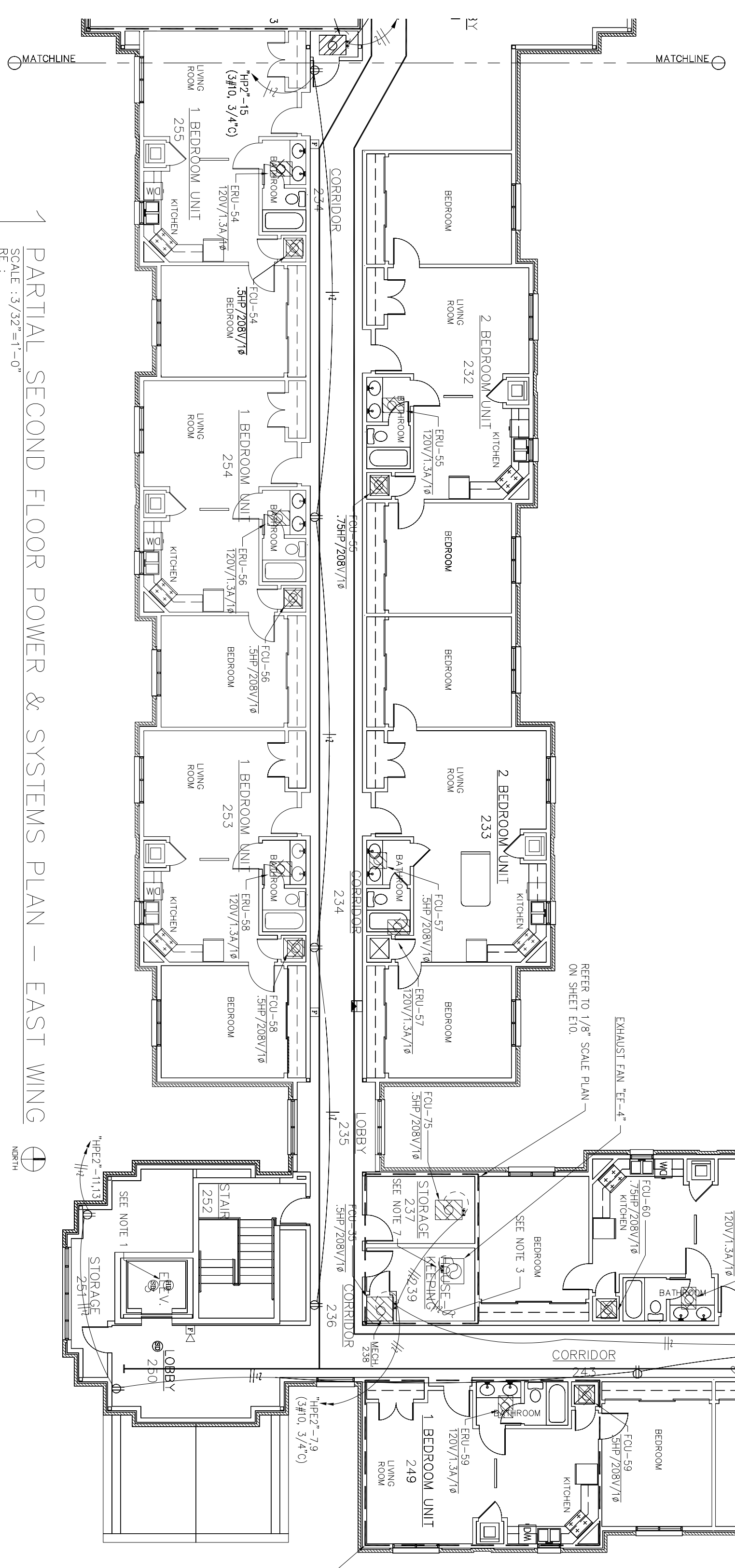
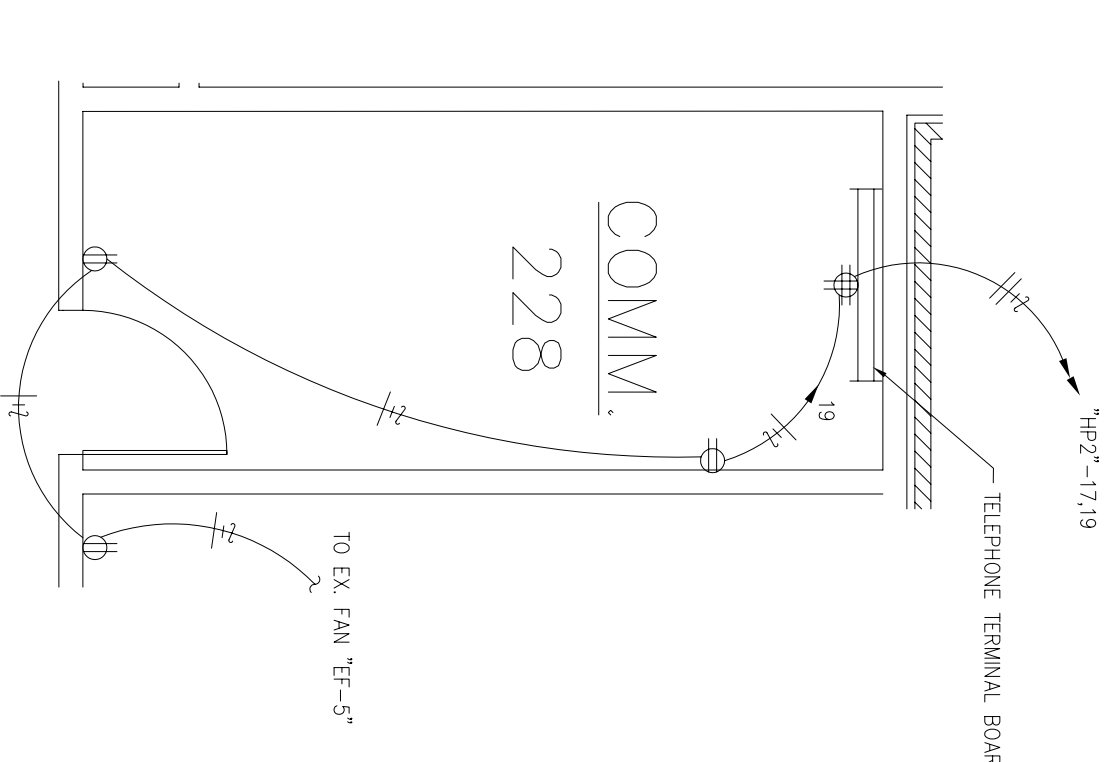
SHEET TITLE
PARTIAL SECOND FLOOR POWER & SYSTEMS PLAN
AS-BUILT

DRAWN BY KRD	LEAD DESIGNER BRM
TECH REVIEWER	FILE LOCATION
DESIGNED BY BTM	PROJECT NUMBER NKAJK02-5001
DATE 28 MAY 2002	SHEET E9
SCALE AS NOTED	100 @ 108

- NOTES:
1. INSTALL SMOKE DETECTOR AND HEAT DETECTOR AT TOP OF SWIFT
 2. FLEX/JUNCTION CONNECTION TO MOTORS NOT TO EXCEED 6'-0"
 3. DOWN TO ROOM REPLACEMENT CIRCUIT.
 4. **PROVIDE TOGGLE SWITCH AND CONDUCTOR EQUAL TO SQUARE D # OPTIMA IN NEW 1" EXHAUSTIVE EXHAUST FAN CONTROL**
 5. PROVIDE GROUND SUPPLEMENTED CABLE MANAGEMENT LUGS AT ABOVE CEILING ON BOTH SIDES OF CORRIDOR IN APPROPRIATE LOCATION. SHOW FIELD COORDINATE EXACT LOCATION FOR ACCESSIBILITY.
 6. COMBINATION SIZE 0 STARTER/MP/208V/18 MOUNTED ON UNIT. FIELD COORDINATE LOCATION FOR ACCESSIBILITY. TYPICAL
 7. COMBINATION SIZE 0 STARTER/MP/208V/18 MOUNTED ON UNIT. FIELD COORDINATE LOCATION FOR ACCESSIBILITY.



2 1/4" SCALE PLAN - POWER & SYSTEMS
SCALE: 1/4"=1'-0"



1 PARTIAL SECOND FLOOR POWER & SYSTEMS PLAN - EAST WING
SCALE: 1/32"=1'-0"

