

LITTLE ROCK A.F.B.
ARKANSAS

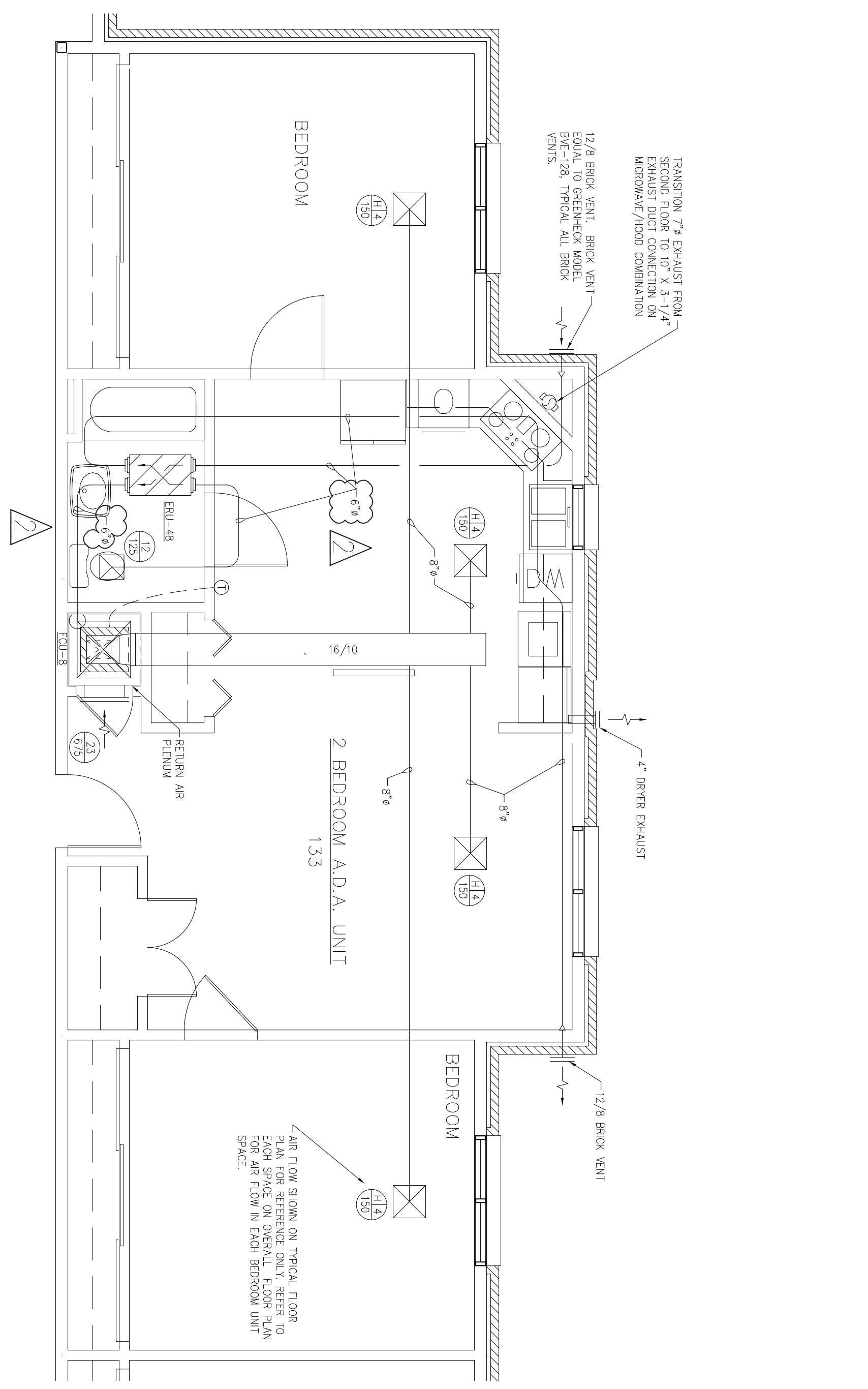
CIVIL ENGINEER	CHIEF ENGINEER
CHIEF OF OPERATIONS	BIO ENVIRONMENTAL ENG.
FIRE CHIEF	SAFETY
PROGRAM MANAGER	USMC AGENCY

No.	Revision/Issue	Date	BY	APP'D
2	Reduced duct diameter from 8" to 6"			
1	Changes in duct locations and layout of FCU			

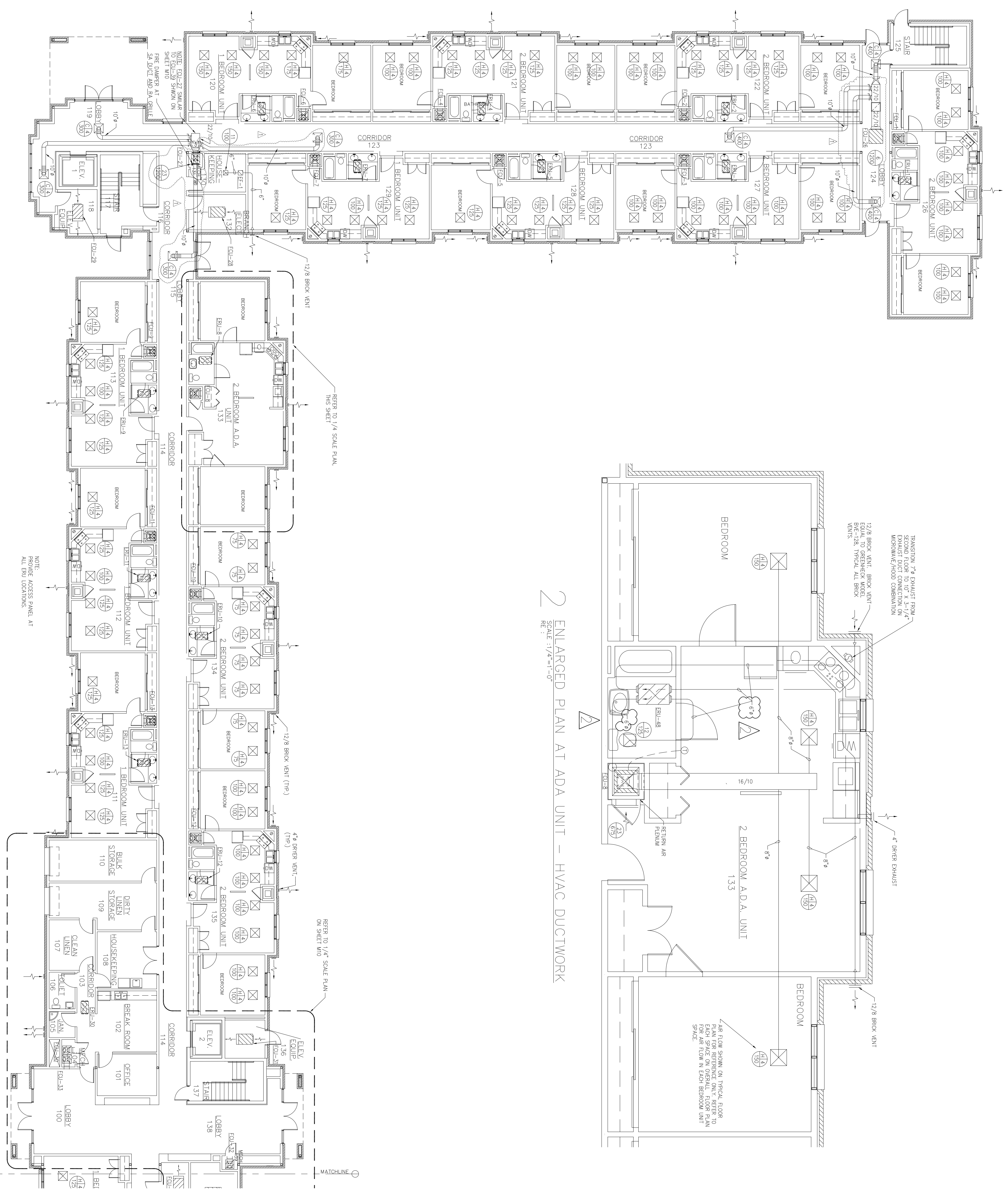
PROJECT TITLE
TEMPORARY LODGING FACILITY

SHEET TITLE
PARTIAL FIRST FLOOR HVAC DUCTWORK PLAN AS-BUILT

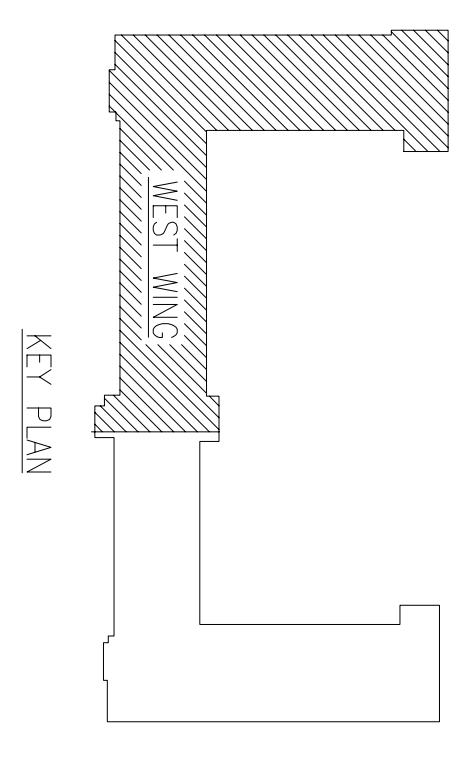
DRAWN BY TNS	LEAD DESIGNER WET
TECH REVIEWER	FILE LOCATION
DESIGNED BY TNS	PROJECT NUMBER NK4KQ2-5001
DATE 28 MAY 2002	SHEET M2
SCALE AS NOTED	69 OF 108



2 ENLARGED PLAN AT ADA UNIT - HVAC DUCTWORK
SCALE: 1/4"=1'-0"



1 PARTIAL FIRST FLOOR HVAC DUCTWORK PLAN - WEST WING
SCALE: 3/32"=1'-0"



KEY PLAN