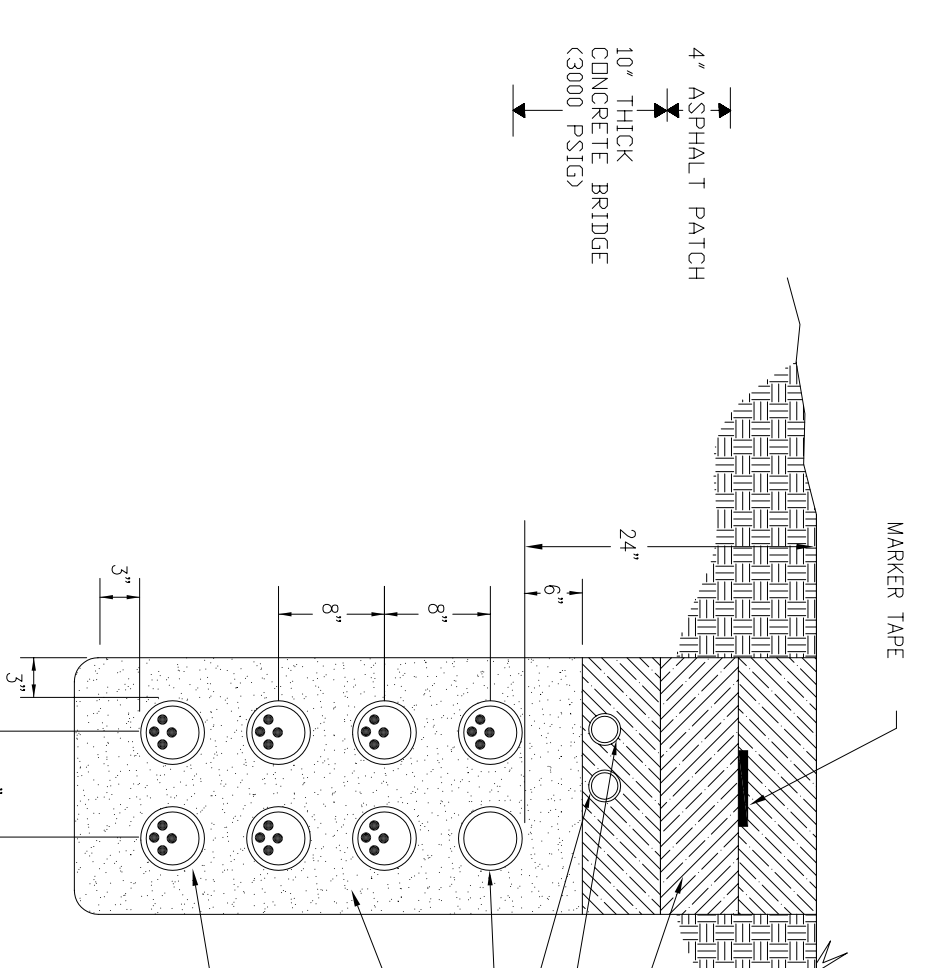
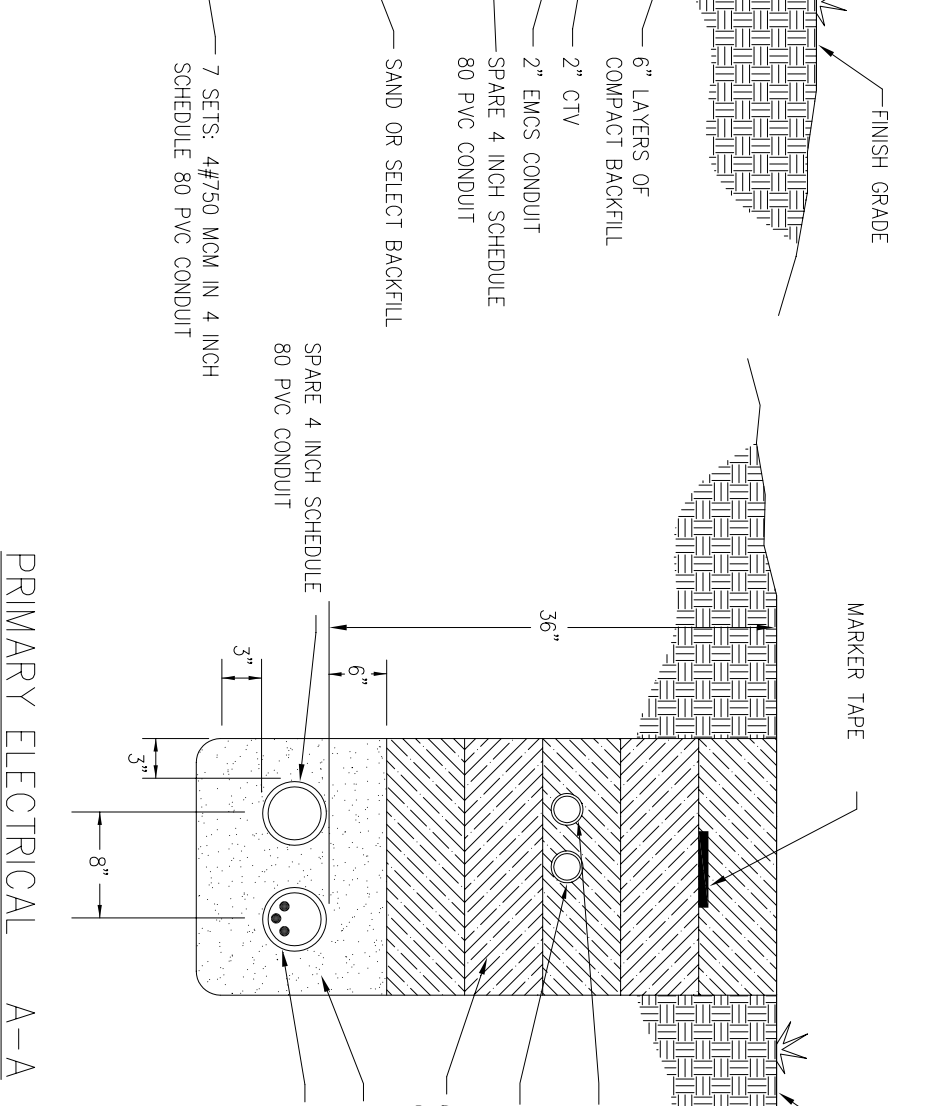


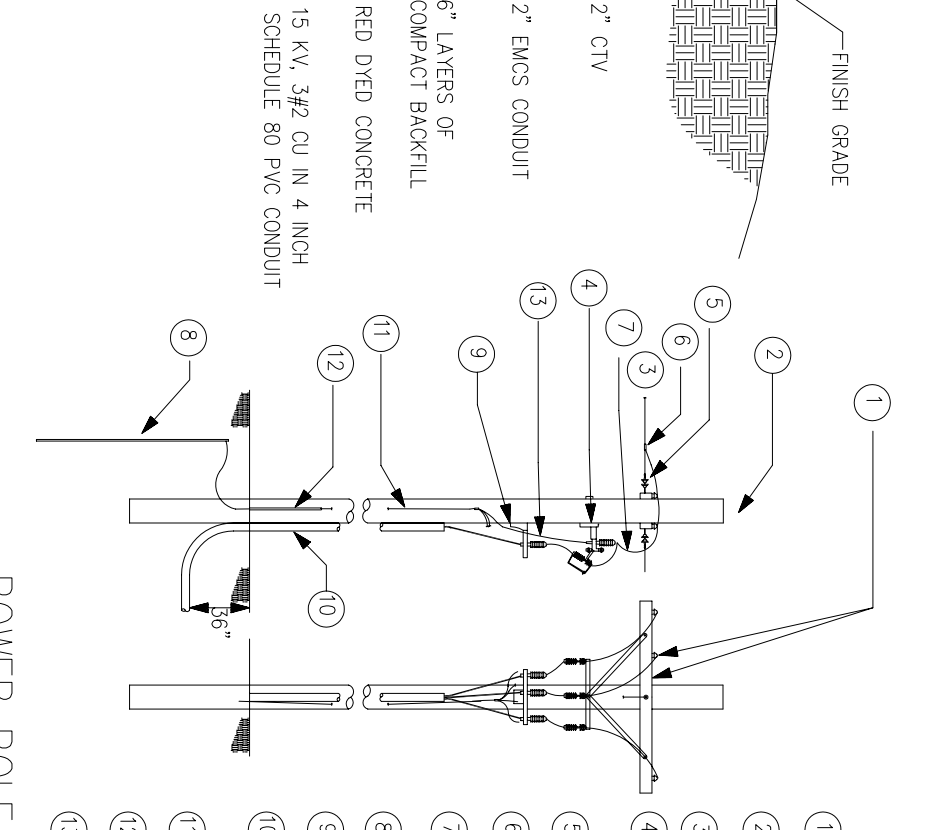
ASPHALT ROAD CROSSING PATCH
SCALE: NOT TO SCALE



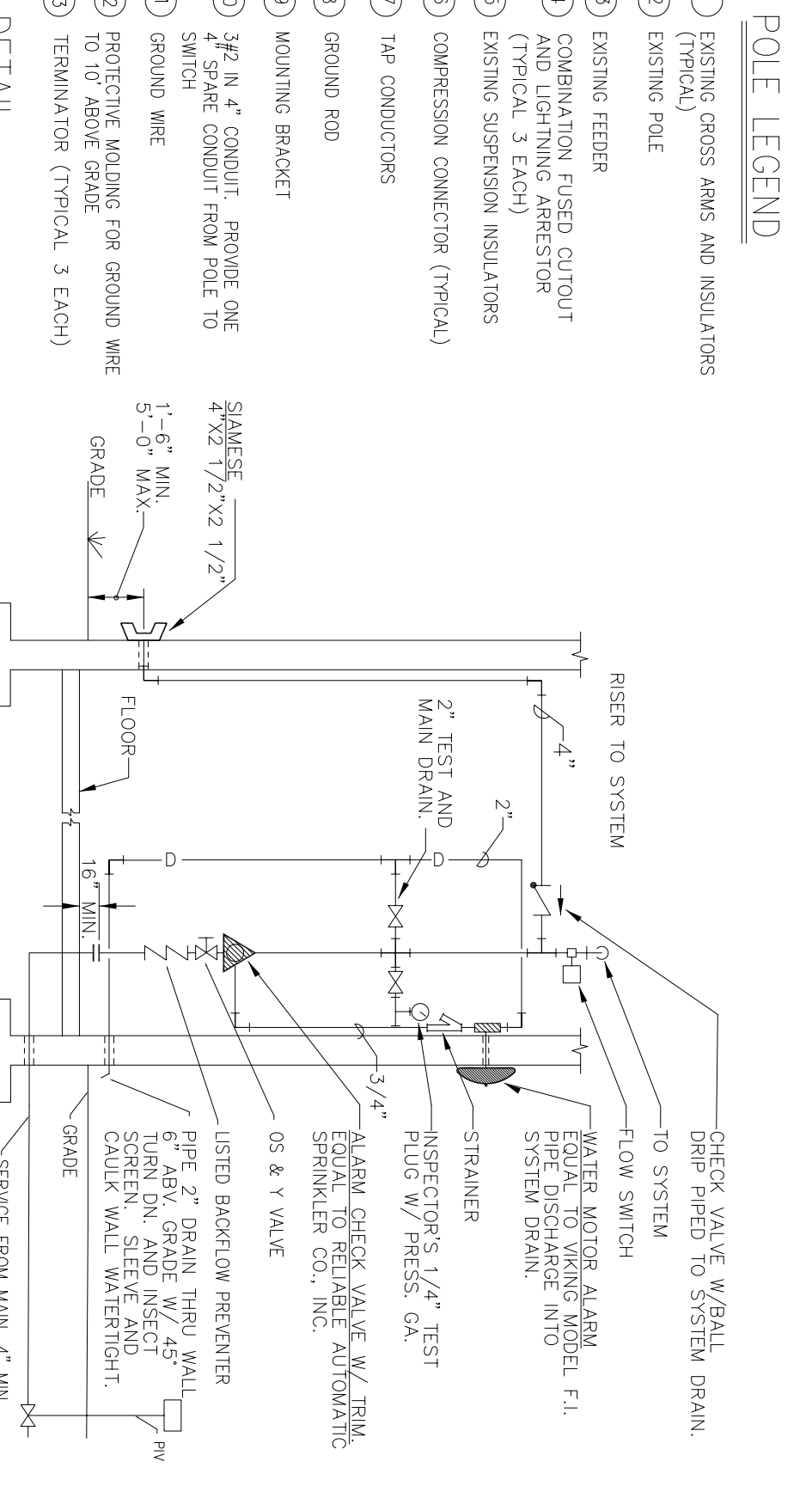
Secondary Electrical b-b
CONTRACTOR TO VERIFY TENSILE STRENGTH OF ANCHOR
PROPER ELEVATION AND PLACEMENT OF CONDUIT



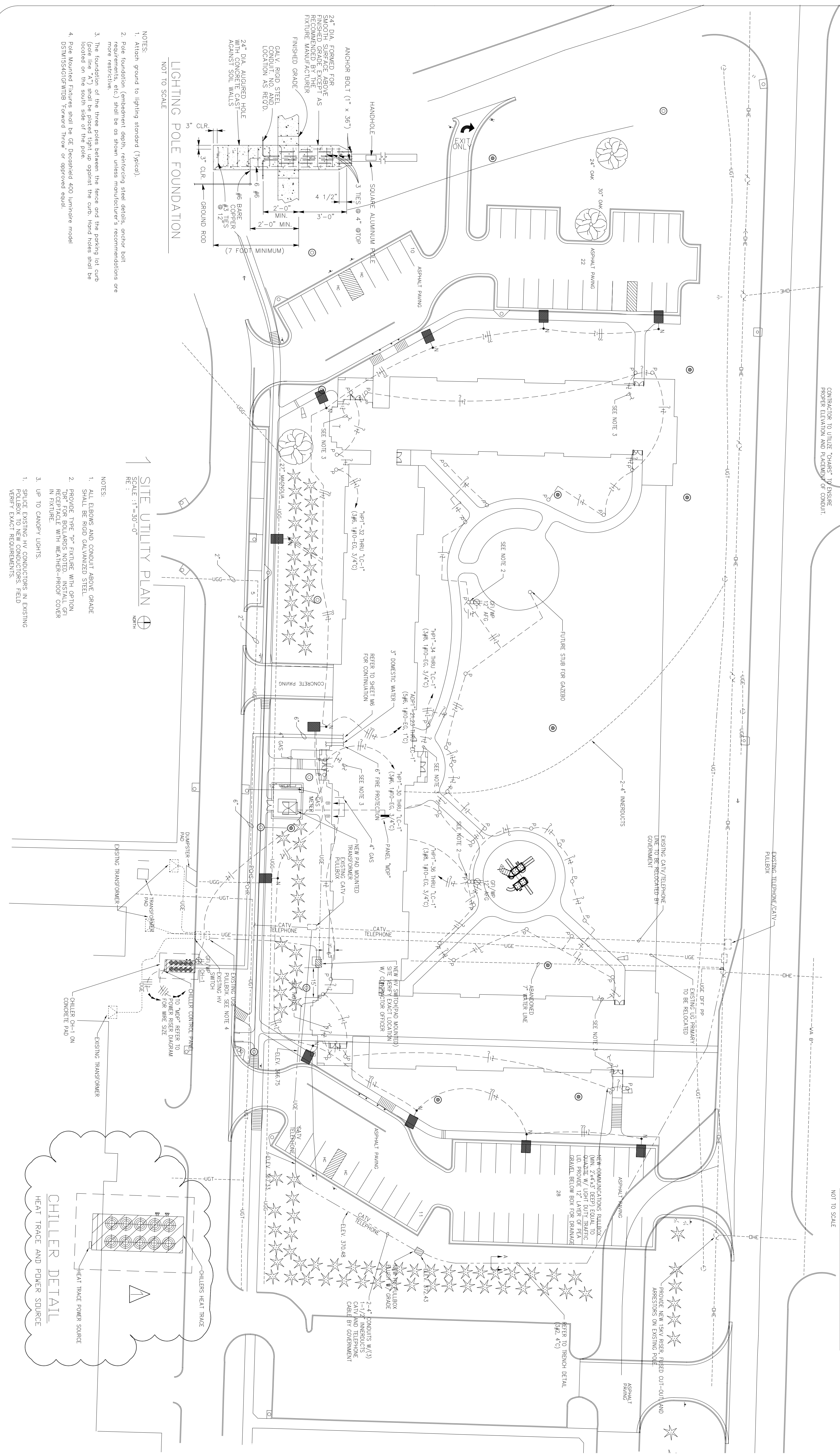
Primary Electrical A-A
CONTRACTOR TO VERIFY TENSILE STRENGTH OF ANCHOR
PROPER ELEVATION AND PLACEMENT OF CONDUIT



POWER POLE DETAIL
NOT TO SCALE



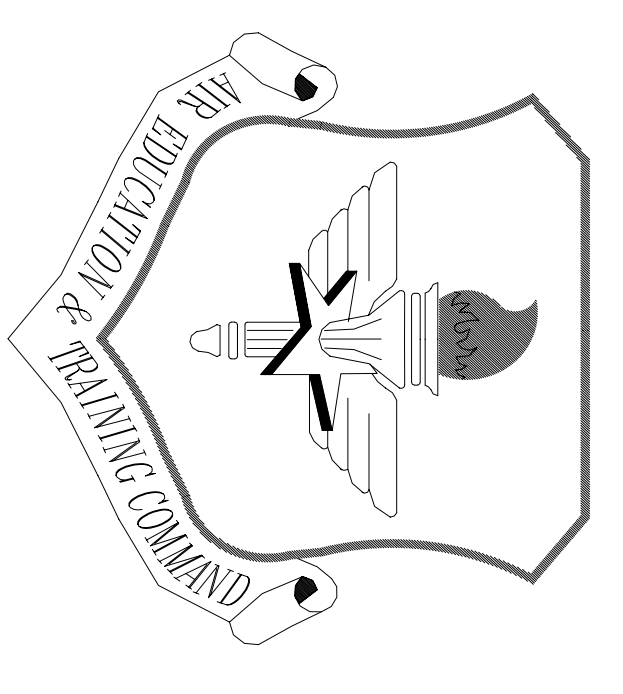
FIRE SERVICE ENTRANCE DETAIL
NOT TO SCALE



NOTES:
1. Anchor ground to lighting standard (Typical).
2. Pole foundation (embedment depth, reinforcing steel details, anchor bolt requirements, etc.) shall be as shown unless manufacturer's recommendations are more restrictive.
3. The foundation of the three poles between the fence and the parking lot curb (see lines 28, 29 and 30) shall be as shown.
4. Pole mounted fixture shall be GE Decastated 400 luminaire model 53N1554010/10/10 Forward throw or approved equal.

NOTES:
1. ALL EXPOSING AND CONDUIT ABOVE GRADE SHALL BE RIGID GALVANIZED STEEL.
2. REQUIRE TAPE FOR EXPOSING WITH OPTION "TOP" FOR BOLLARDS NOTED INSTALLED RECEPTACLE WITH WEATHER-PROOF COVER IN FUTURE.
3. UP TO CANOPY LIGHTS.
4. SPACE EXISTING HV CONDUCTORS IN EXISTING CONDUIT TO MAINTAIN CLEARANCES. FIELD VERIFY EXACT REQUIREMENTS.

NOTES:
1. EXISTING CROSS ARMS AND INSULATORS (TYPICAL)
2. EXISTING POLE
3. EXISTING FEEDER
4. COMBINATION FUSED CUTOFF AND LIGHTNING ARRESTOR
5. EXISTING SUSPENSION INSULATORS
6. COMPRESSION CONNECTOR (TYPICAL)
7. TAP CONDUCTORS
8. GROUND ROD
9. MOUNTING BRACKET
10. 3/4\"/>



LITTLE ROCK A.F.B.
ARKANSAS

DIR. ENGINEER	CHIEF ENGINEER
CHIEF OF OPERATIONS	BO ENVIRONMENTAL ENG.
FIRE CHIEF	SAFETY
PROGRAM MANAGER	USING AGENCY

No.	Revision/Issue	Date	BY	APP'D
1	Changes made to locations of cables, supply lines etc. Various elevation notations added, and a detail for the chillers heat trace			

PROJECT TITLE
TEMPORARY LODGING FACILITY

SHEET TITLE
UTILITY SITE PLAN
AS-BUILT

DRAWN BY TNS, KRJ	LEAD DESIGNER BTM
TECH REVIEWER	FILE LOCATION
DESIGNED BY BRM	PROJECT NUMBER NKA02-5001
DATE 28 MAY 2002	SHEET 9MET P/ME1
SCALE 1"=30'-0"	68 of 108