

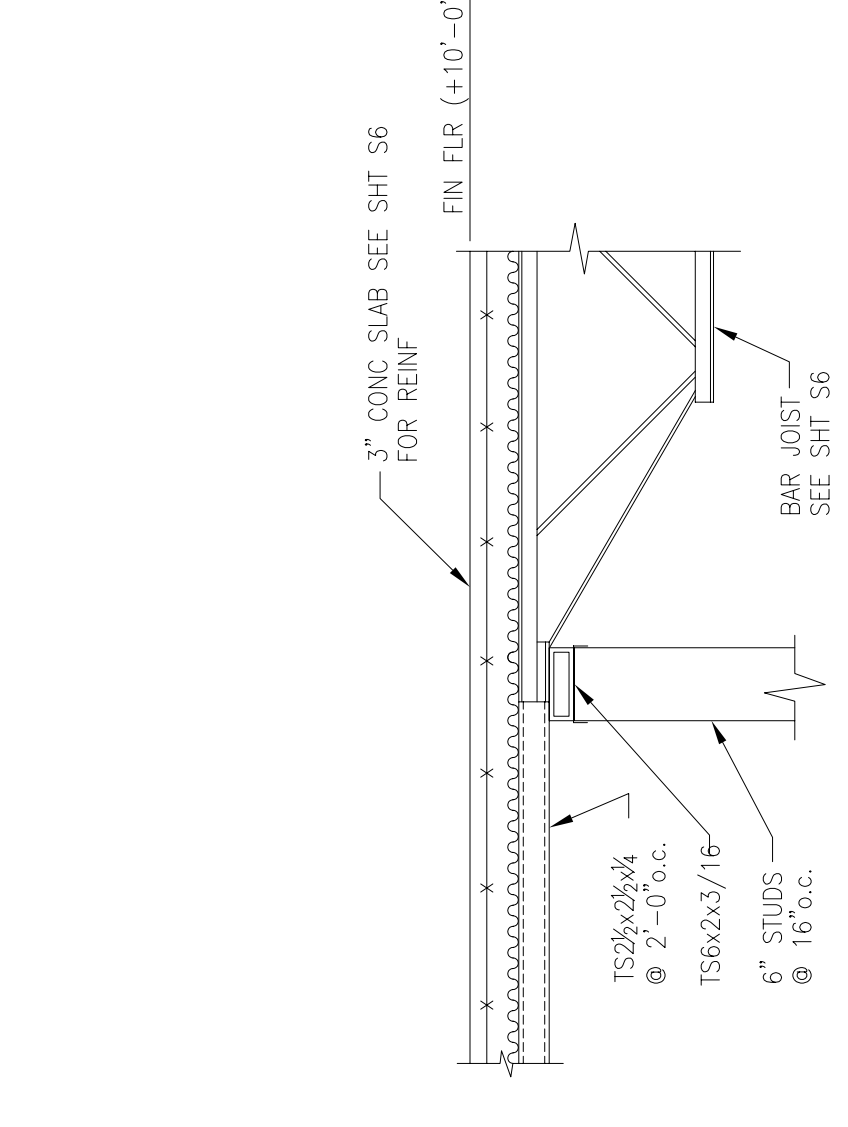
LITTLE ROCK A.F.B.
ARKANSAS

No.	Revision/Issue	Date	By	APP'D
1	No Changes from Design to As-Built			

PROJECT TITLE
TEMPORARY LODGING FACILITY

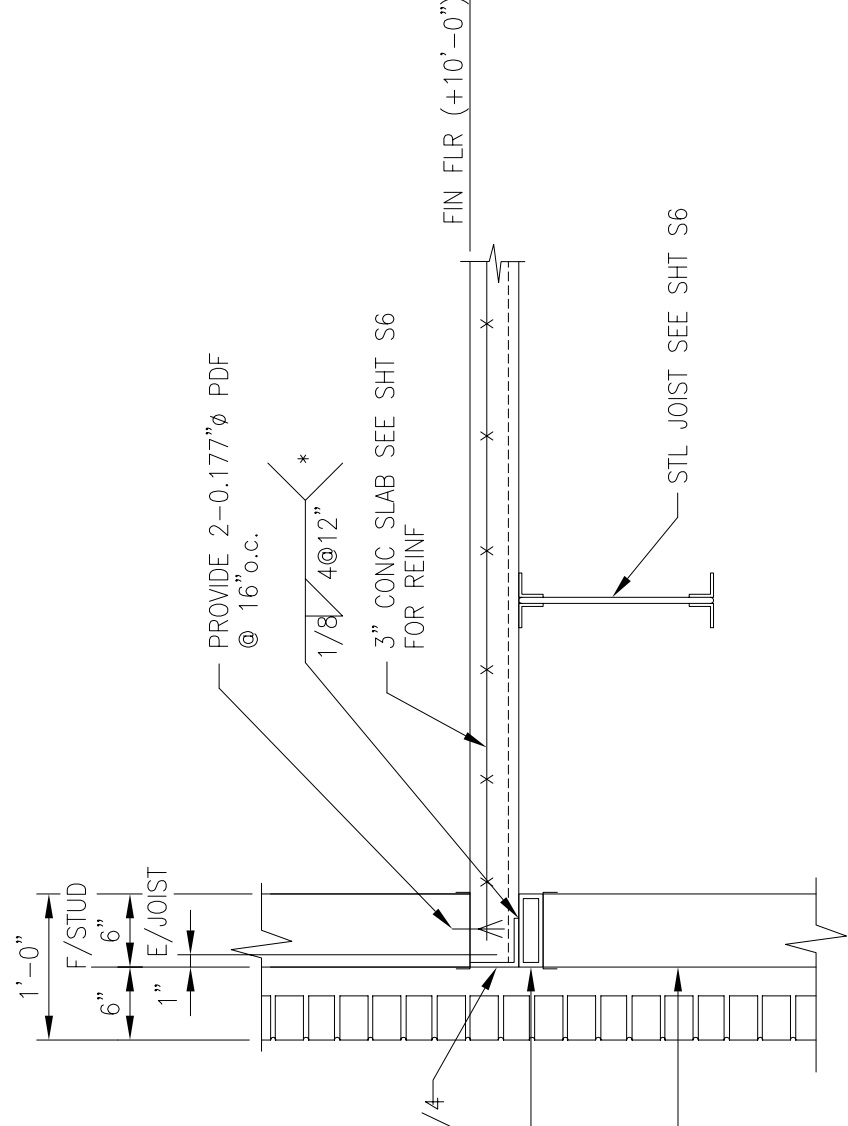
SHEET TITLE
**ROOF FRAMING SECTIONS
AS-BUILT**

DRAWN BY TLK	LEAD DESIGNER
TECH REVIEWER TVR	FILE LOCATION
DESIGNED BY TVR	PROJECT NUMBER NKAK02-5001
DATE 28 MAY 2002	SHEET S17
SCALE 3/4" = 1'-0"	57 of 108



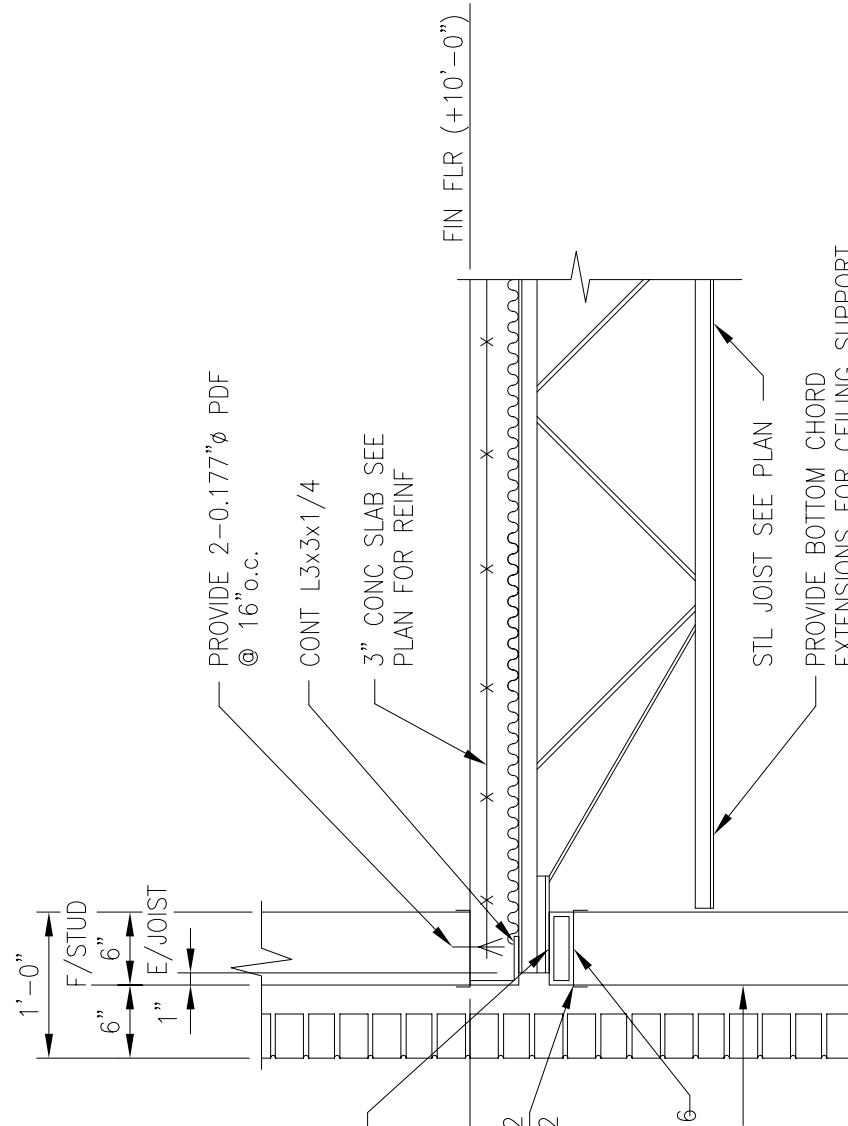
A SECTION
S6/S7 | S17
3/4" = 1'-0"

* AS ALTERNATIVE TO WELDING CONTRACTOR MAY PROVIDE 0.177" POWER DRIVEN FASTENERS @ 12" o.c.



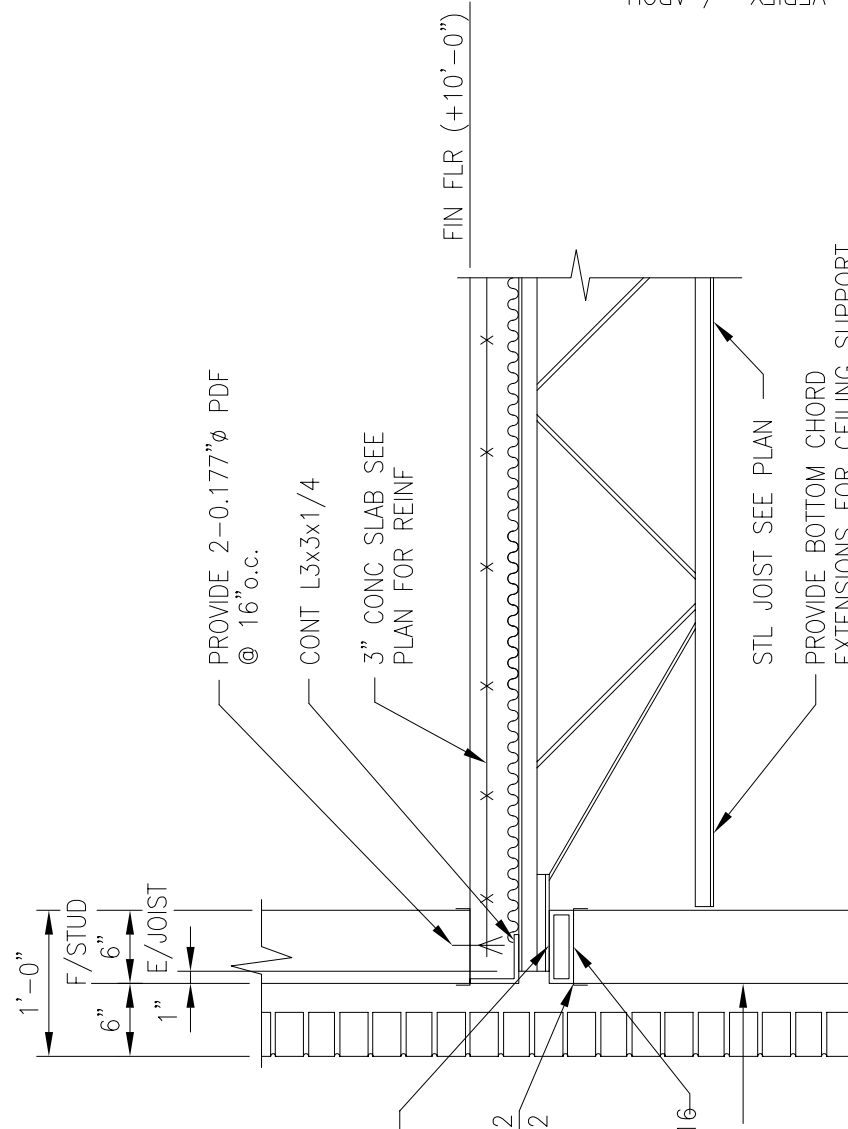
B SECTION
S6/S7 | S17
3/4" = 1'-0"

* AS ALTERNATIVE TO WELDING CONTRACTOR MAY PROVIDE 0.177" POWER DRIVEN FASTENERS @ 12" o.c.

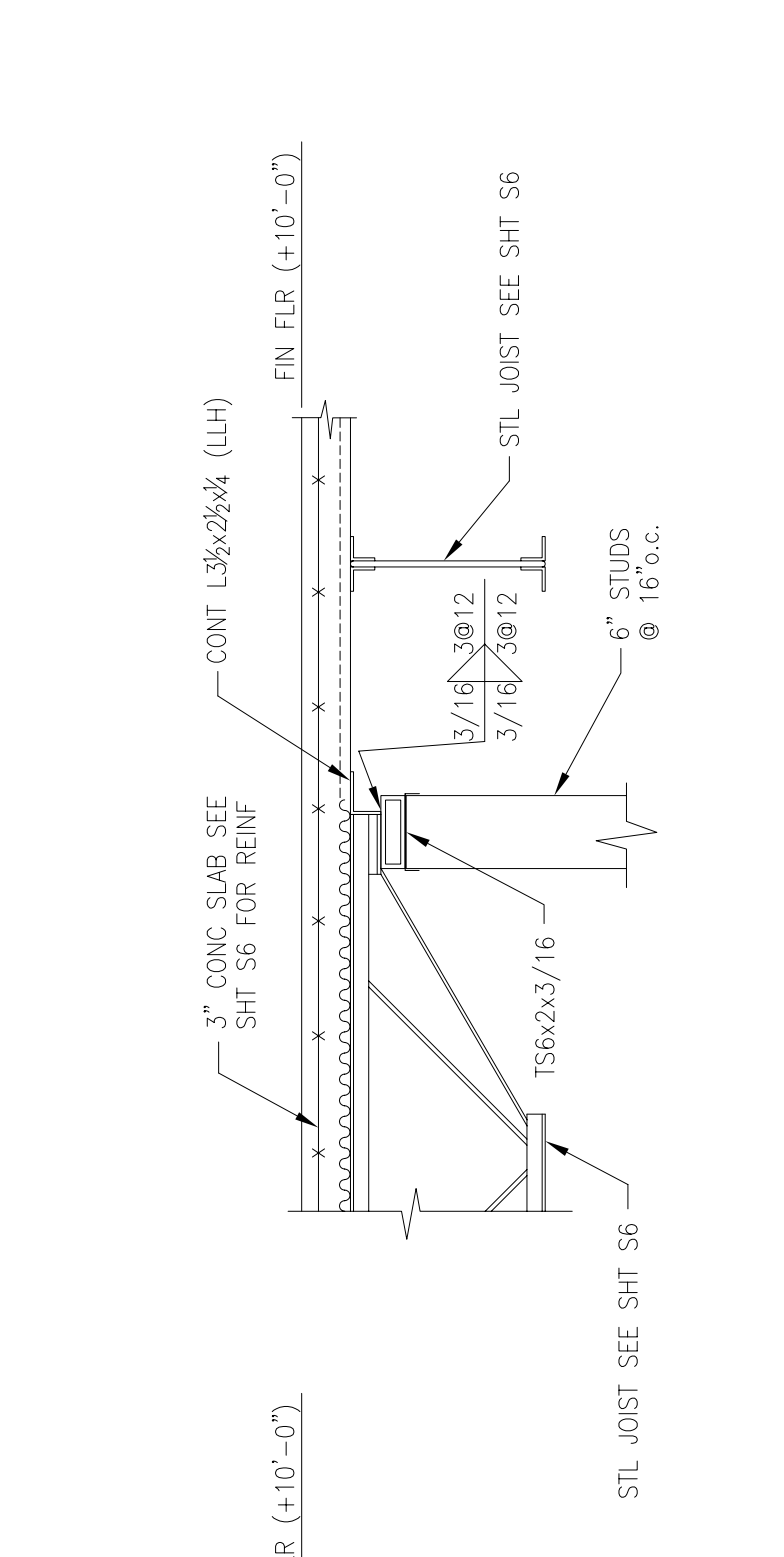


C SECTION
S6/S7 | S17
3/4" = 1'-0"

* AS ALTERNATIVE TO WELDING CONTRACTOR MAY PROVIDE 0.177" POWER DRIVEN FASTENERS @ 12" o.c.

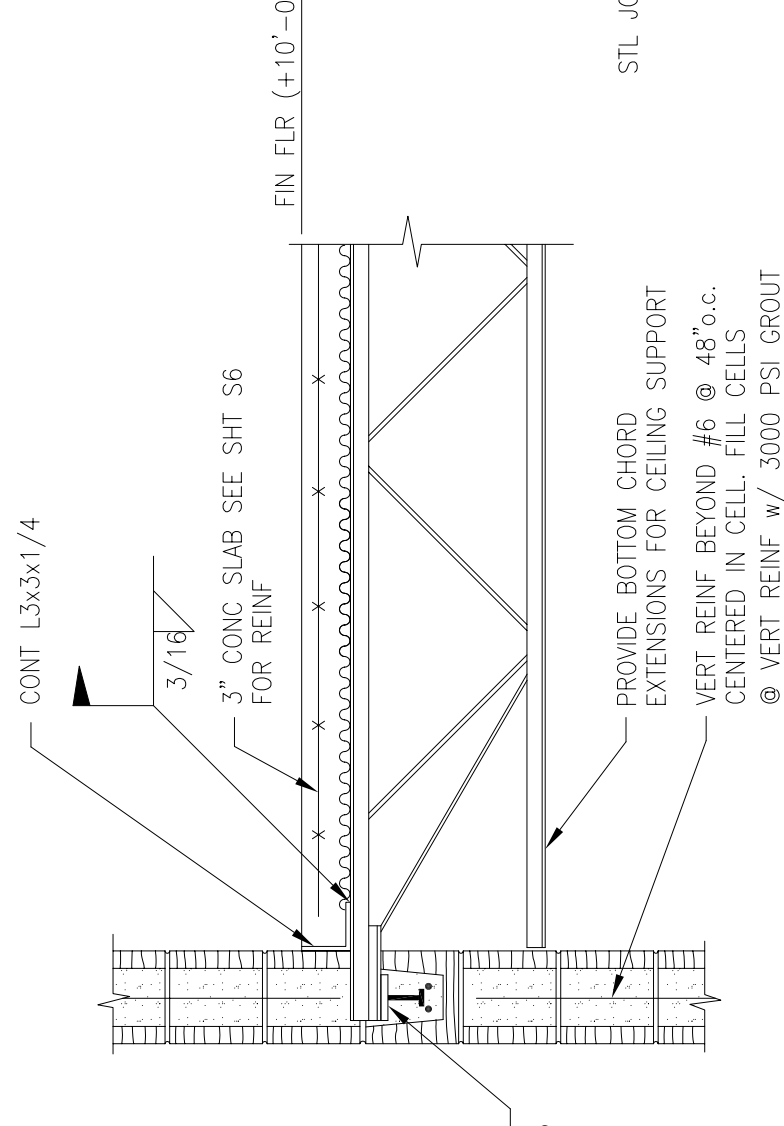


D SECTION
S6/S7 | S17
3/4" = 1'-0"



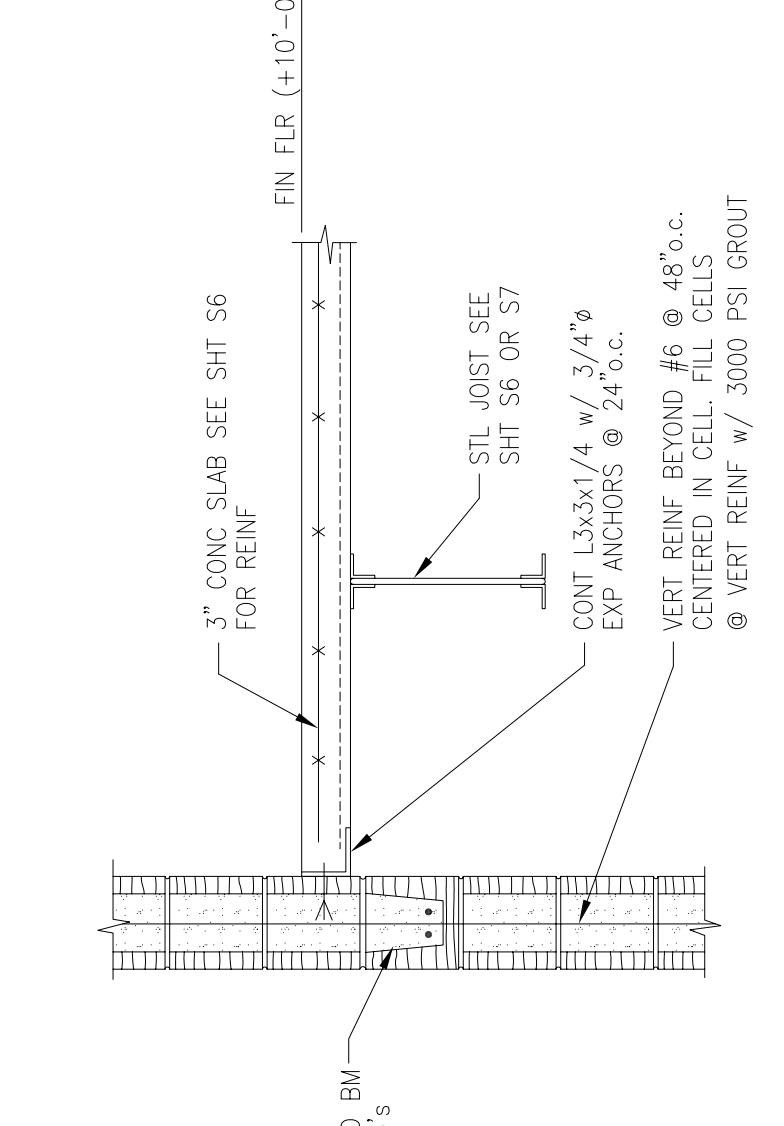
E SECTION
S6/S7 | S17
3/4" = 1'-0"

* AS ALTERNATIVE TO WELDING CONTRACTOR MAY PROVIDE 0.177" POWER DRIVEN FASTENERS @ 12" o.c.



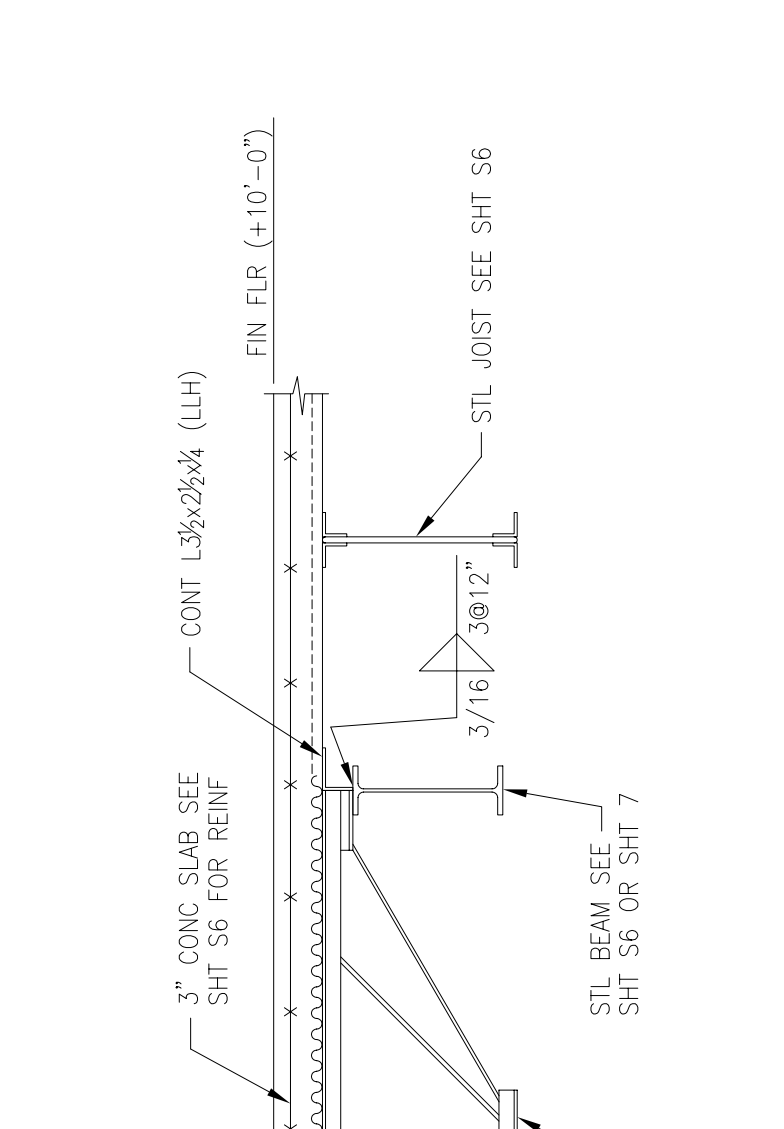
F SECTION
S6/S7 | S17
3/4" = 1'-0"

* AS ALTERNATIVE TO WELDING CONTRACTOR MAY PROVIDE 0.177" POWER DRIVEN FASTENERS @ 12" o.c.



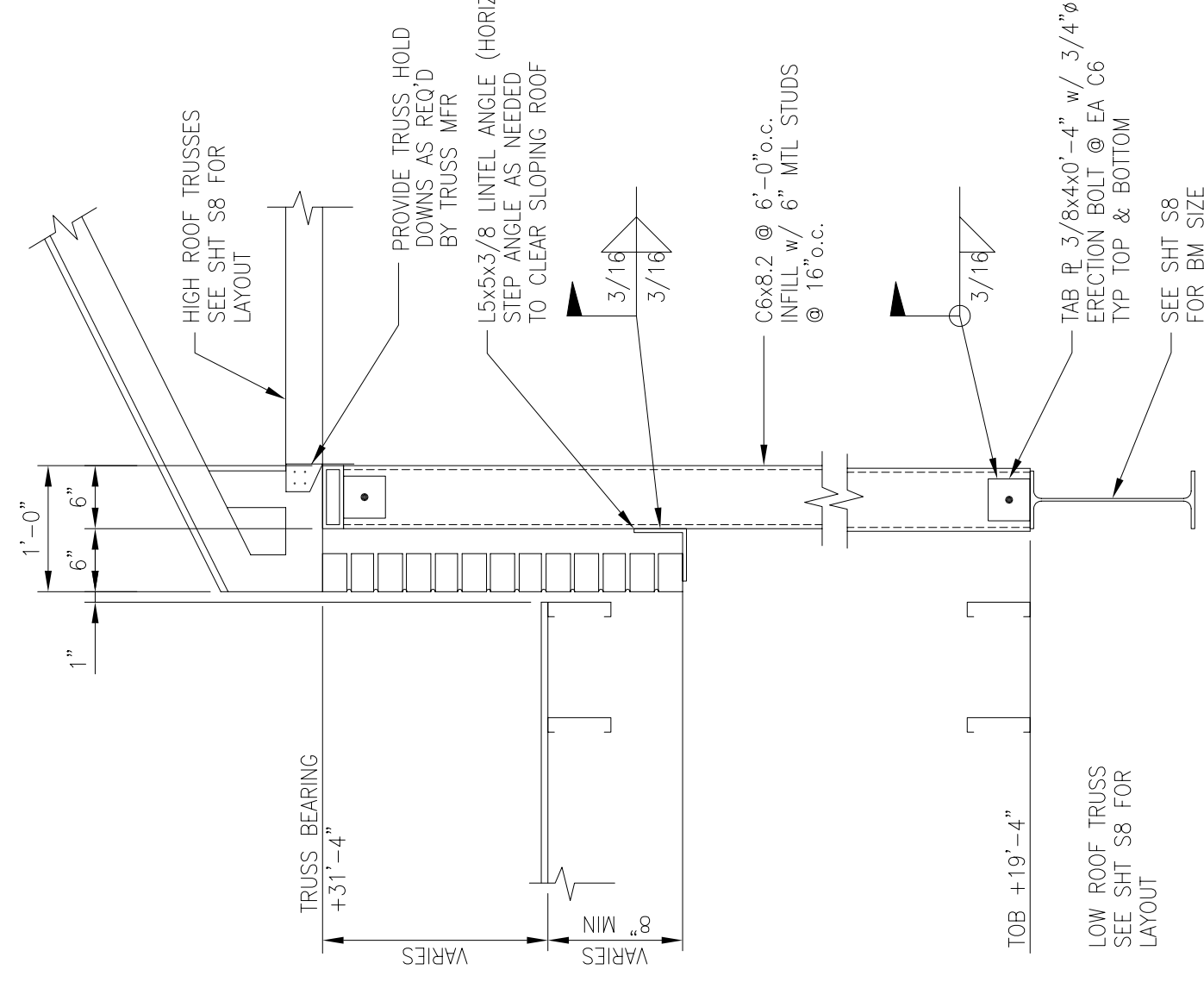
G SECTION
S6/S7 | S17
3/4" = 1'-0"

* AS ALTERNATIVE TO WELDING CONTRACTOR MAY PROVIDE 0.177" POWER DRIVEN FASTENERS @ 12" o.c.



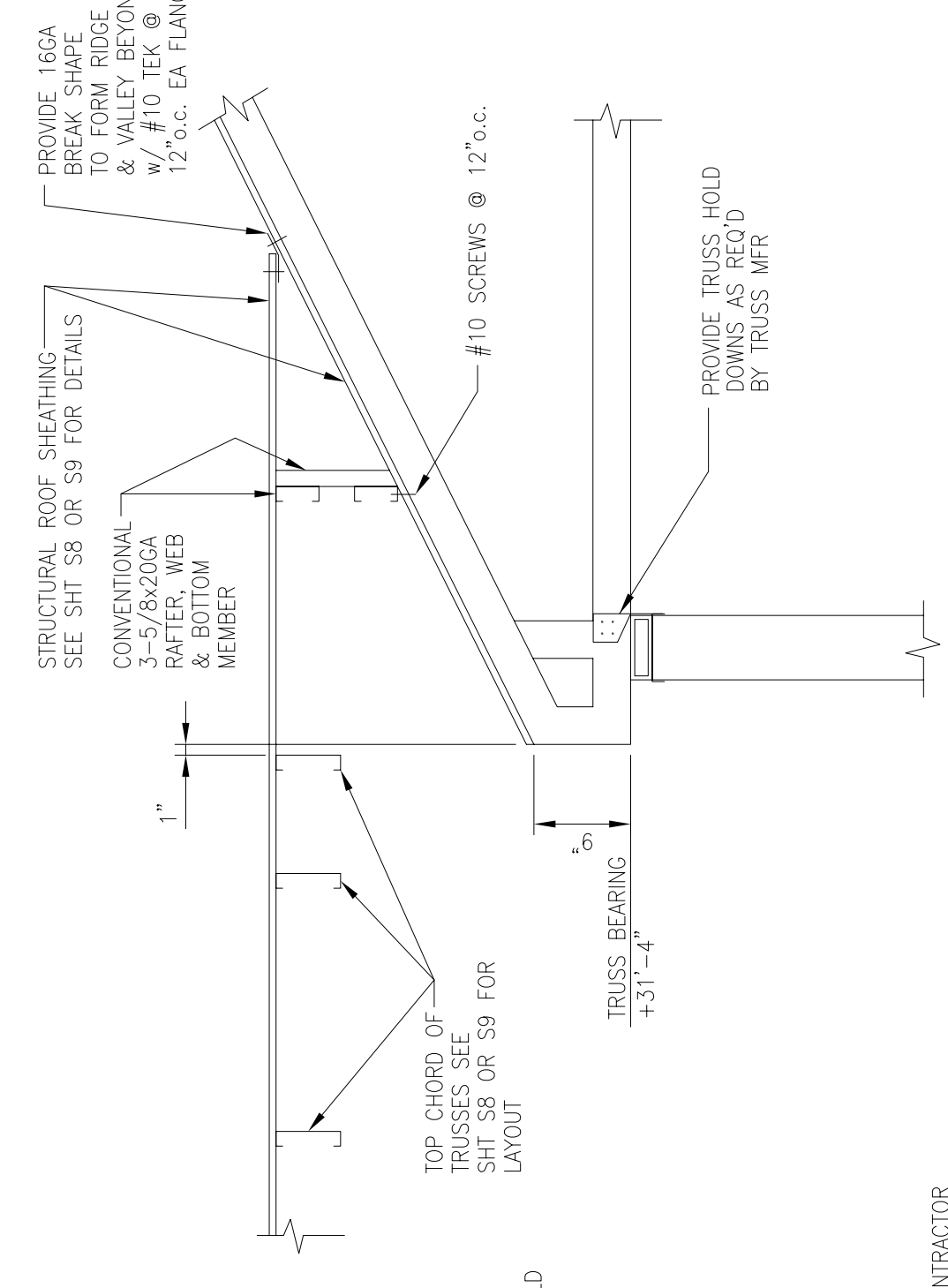
H SECTION
S6/S7 | S17
3/4" = 1'-0"

* AS ALTERNATIVE TO WELDING CONTRACTOR MAY PROVIDE 0.177" POWER DRIVEN FASTENERS @ 12" o.c.



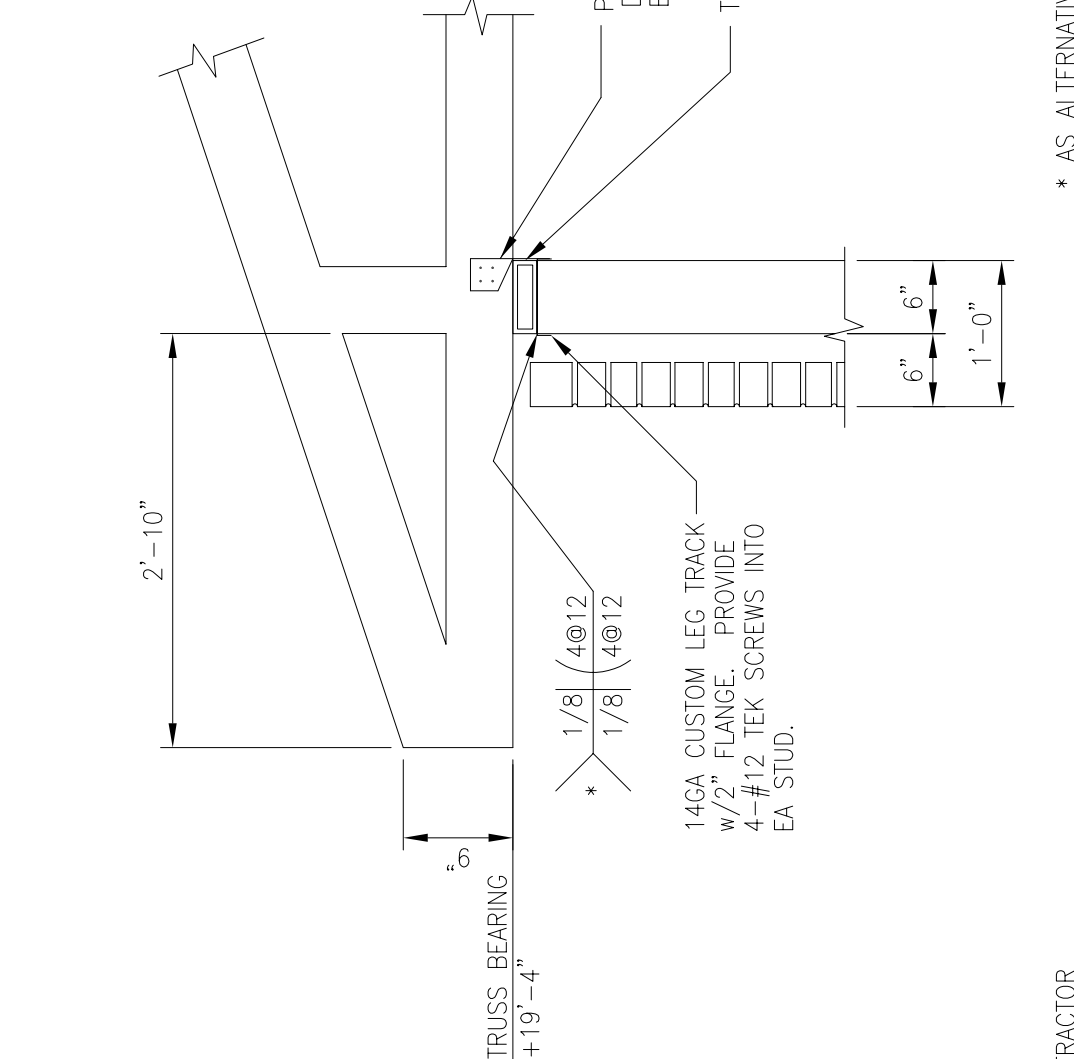
I SECTION @ HIGH ROOF
S8/S9 | S17
3/4" = 1'-0"

* AS ALTERNATIVE TO WELDING CONTRACTOR MAY PROVIDE 0.177" POWER DRIVEN FASTENERS @ 12" o.c.



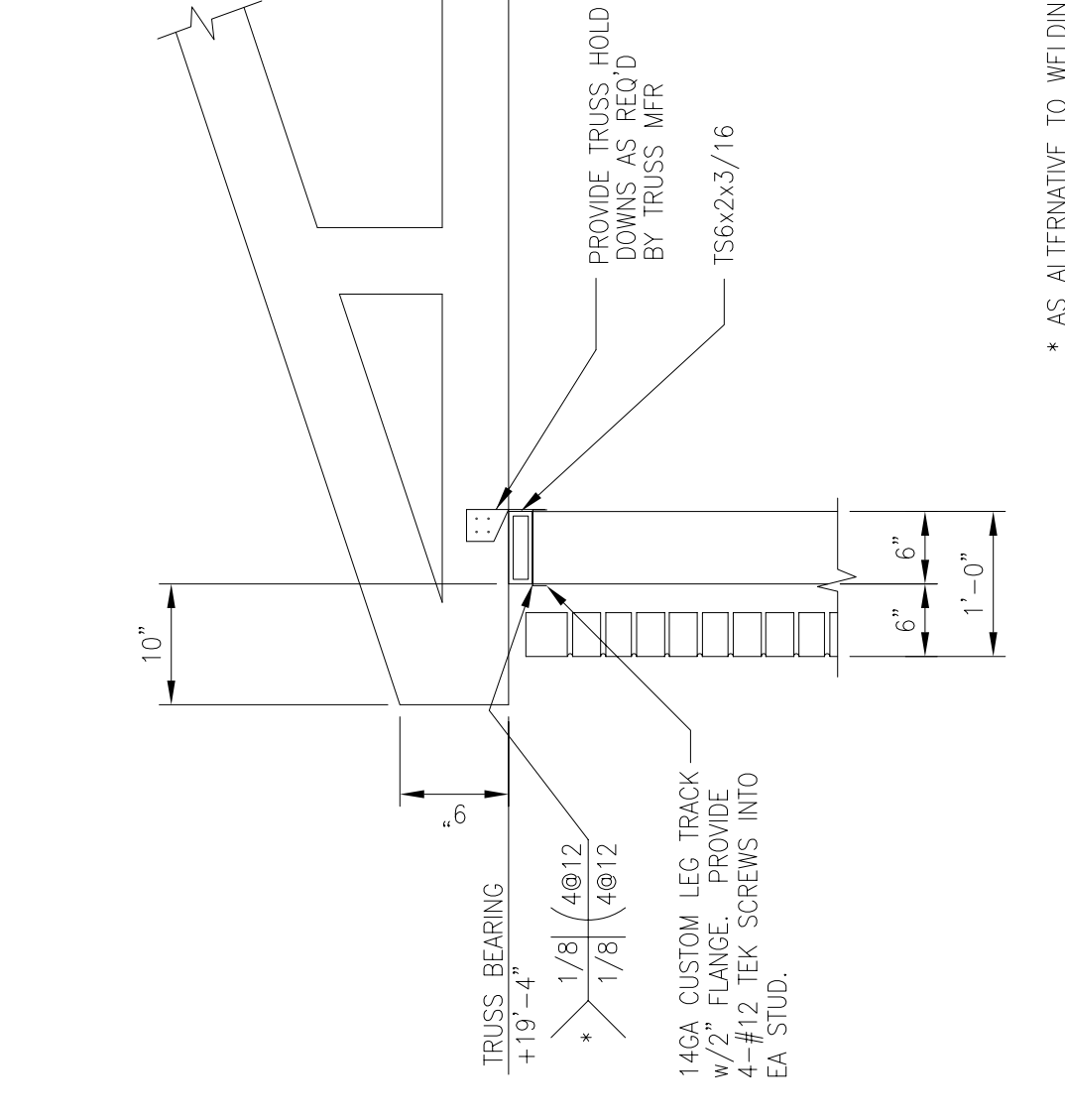
J SECTION @ HIGH ROOF
S8/S9 | S17
3/4" = 1'-0"

* AS ALTERNATIVE TO WELDING CONTRACTOR MAY PROVIDE 0.177" POWER DRIVEN FASTENERS @ 12" o.c.



K SECTION
S8/S9 | S17
3/4" = 1'-0"

* AS ALTERNATIVE TO WELDING CONTRACTOR MAY PROVIDE 0.177" POWER DRIVEN FASTENERS @ 12" o.c.



L SECTION
S8/S9 | S17
3/4" = 1'-0"

* AS ALTERNATIVE TO WELDING CONTRACTOR MAY PROVIDE 0.177" POWER DRIVEN FASTENERS @ 12" o.c.

* AS ALTERNATIVE TO WELDING CONTRACTOR MAY PROVIDE 0.177" POWER DRIVEN FASTENERS @ 12" o.c.

* AS ALTERNATIVE TO WELDING CONTRACTOR MAY PROVIDE 0.177" POWER DRIVEN FASTENERS @ 12" o.c.

* AS ALTERNATIVE TO WELDING CONTRACTOR MAY PROVIDE 0.177" POWER DRIVEN FASTENERS @ 12" o.c.