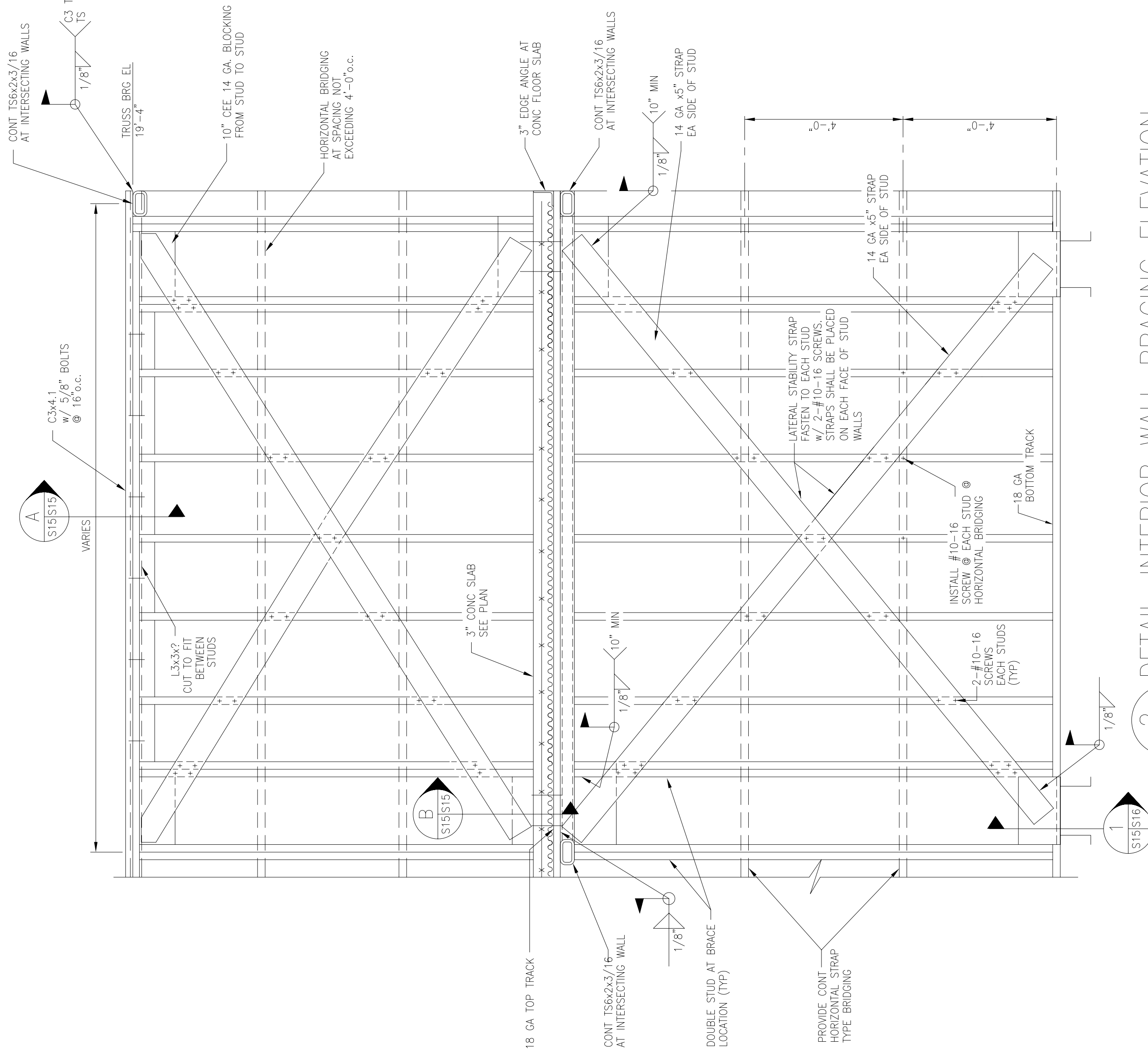


BEAM PERPENDICULAR TO WALL

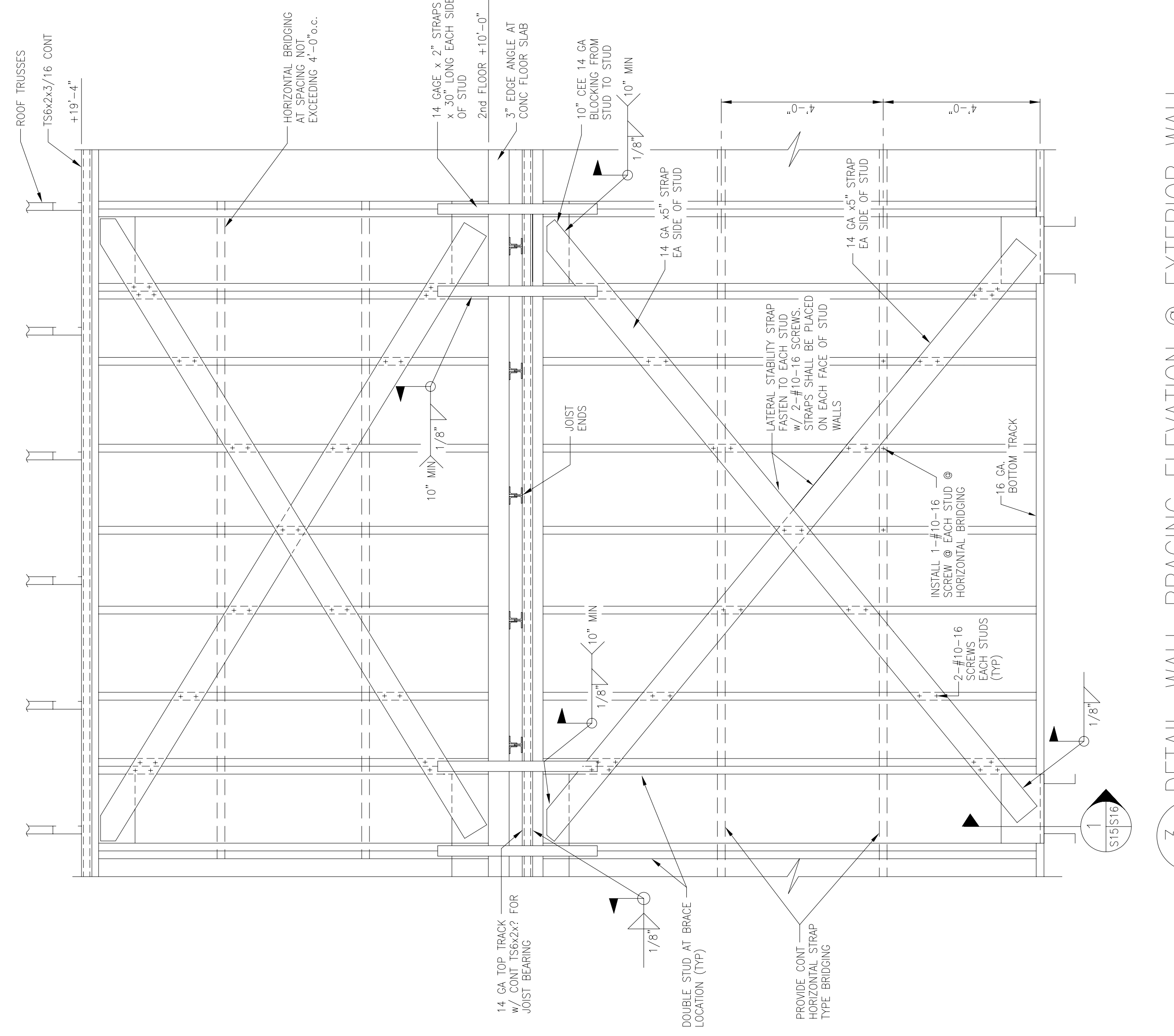
| BEAM BEARING PLATE SCHEDULE | PLATE SIZE | NO. A.BOLTS/SIZE |
|-----------------------------|------------|------------------|
| WB10 | 5x6x1-0" | 2--7" |
| W12,W14,W16 | 2xW1'-0" | 2--2" |
| W18 | 1xW1'-8" | 2--2" |
| W21 | 1xW2'-0" | 2--2" |
| W24 | 1xW2'-8" | 2--2" |

1 DETAIL-TYPICAL BEAM BEARING
S1 S15 NOT TO SCALE (TYPICAL UNLESS NOTED OR DETAILED OTHERWISE)

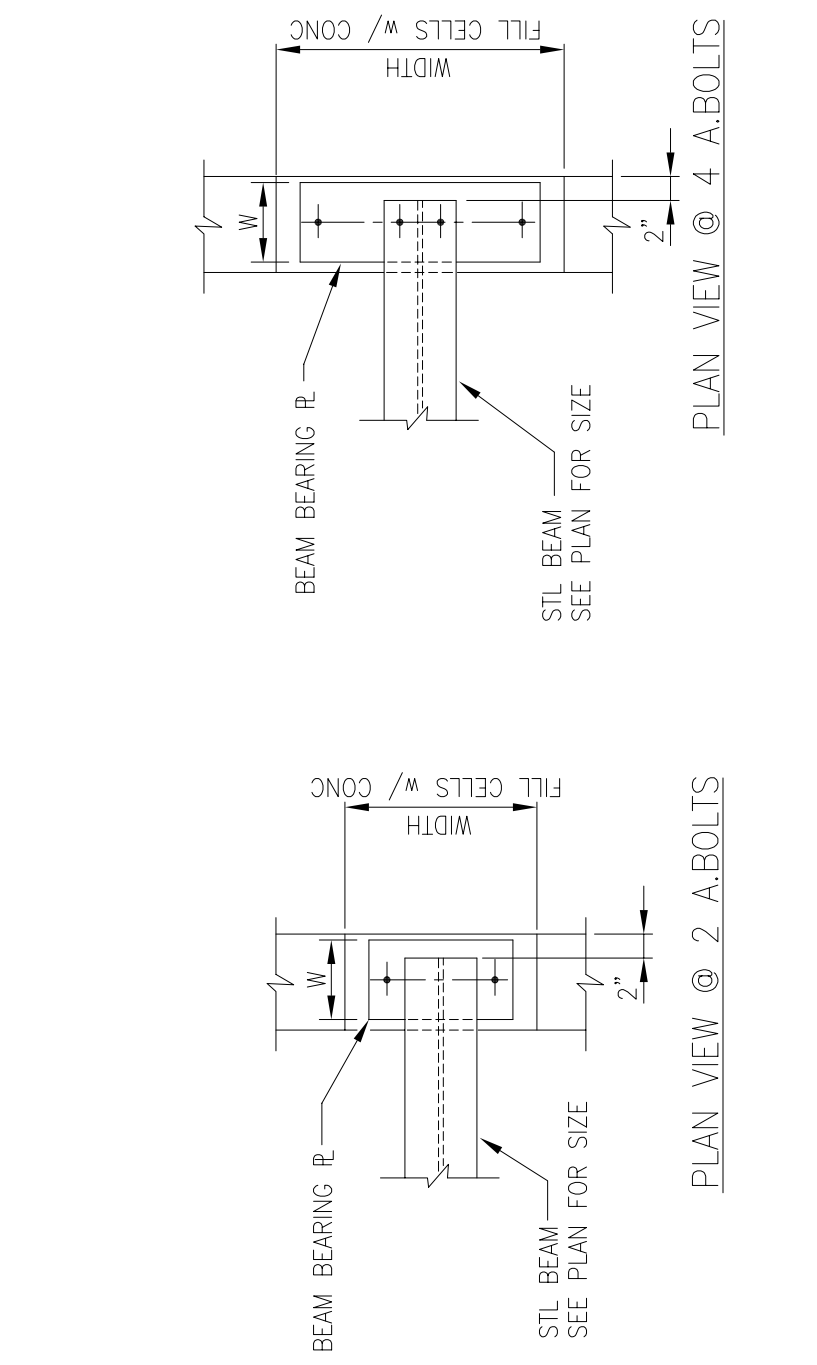


2 DETAIL-INTERIOR WALL BRACING ELEVATION
S1 S15 NOT TO SCALE

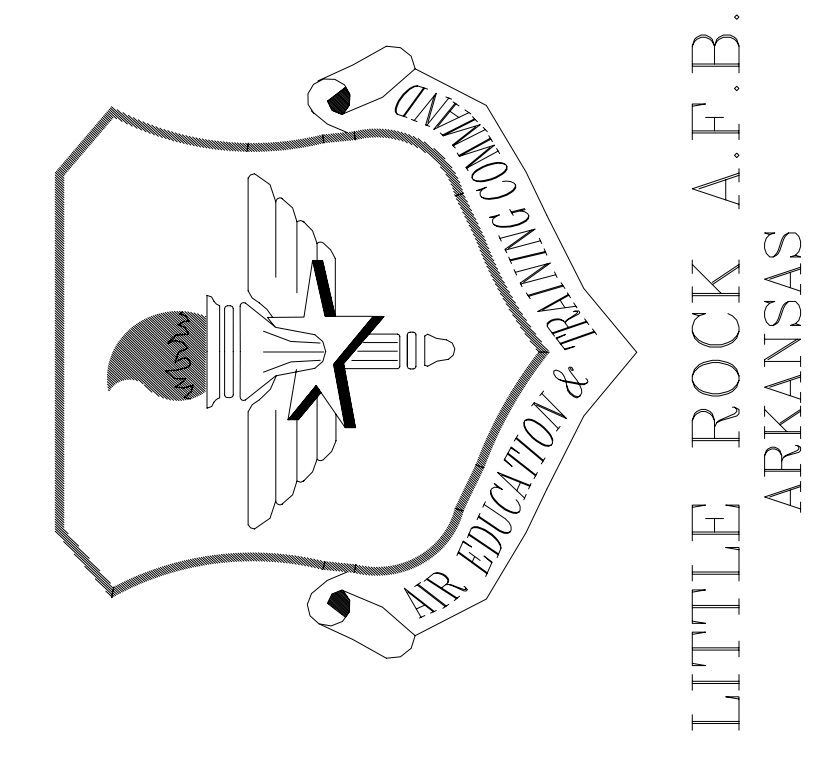
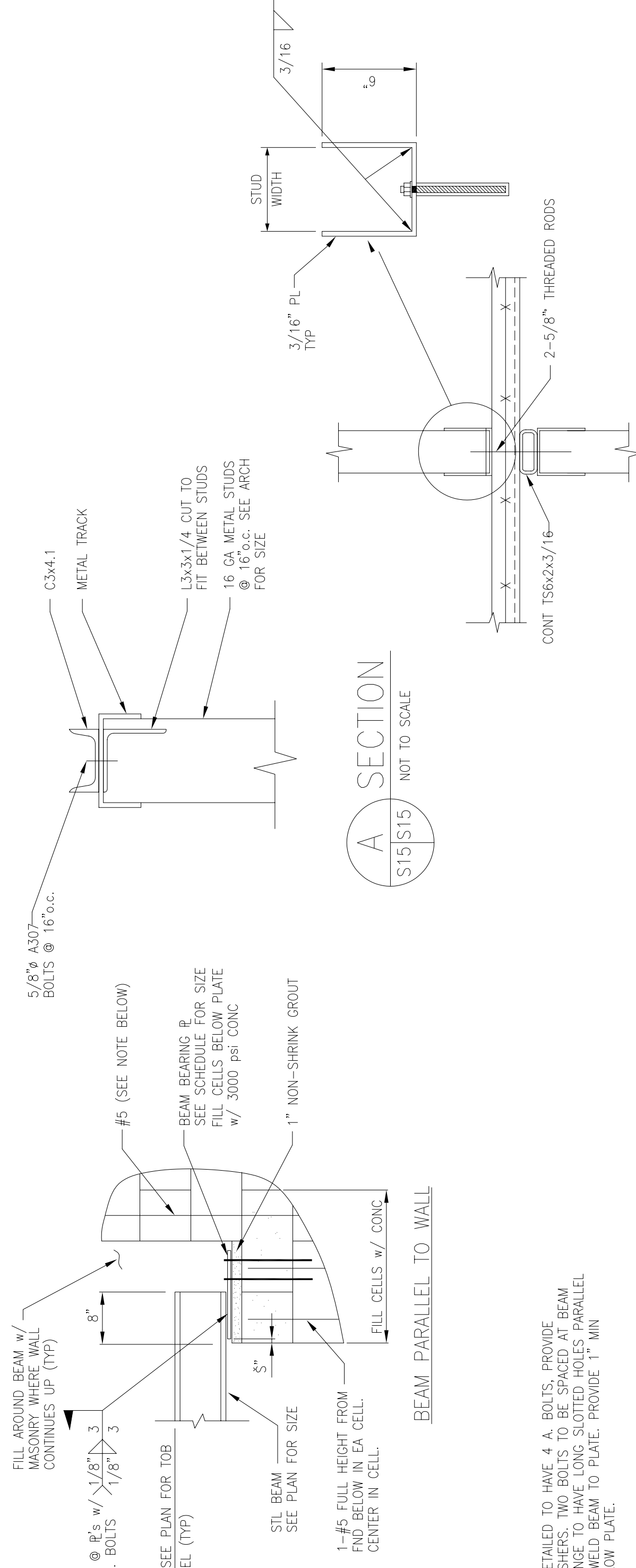
B SECTION
S15 S15 NOT TO SCALE



3 DETAIL-WALL BRACING ELEVATION @ EXTERIOR WALL
S1 S15 NOT TO SCALE



A SECTION
S15 S15 NOT TO SCALE



LITTLE ROCK A.F.B.
ARKANSAS

| No. | Revision/Issue | Date | By | App'D |
|-----|------------------------------------|------|----|-------|
| 1 | No Changes from Design to As-Built | | | |

PROJECT TITLE
TEMPORARY LODGING FACILITY

SHEET TITLE
FRAMING DETAILS AS-BUILT

| DRAWN BY | FILE LOCATION | LEAD DESIGNER |
|---------------|----------------|---------------|
| TJK | | |
| TECH REVIEWER | PROJECT NUMBER | DESIGNED BY |
| | NKAK02-5001 | TJR |
| DATE | SHEET | SCALE |
| 28 MAY 2002 | S15 | 55 of 108 |