

1

2

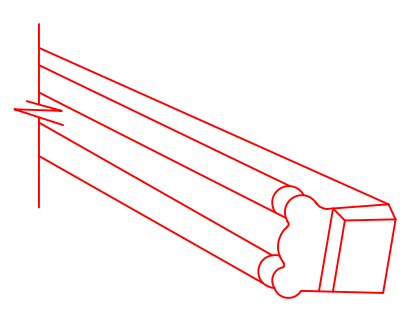
3

4

5

FEATURES

LAMP TYPE: F32T8/75 CRI
 PROFILE: 2 LAMP
 BALLAST: ELECTRONIC
 BATTERY: EMERGENCY BATTERY PACK FOR TYPE H1
 PROVIDE SPRING LOADED PLUNGER TYPE LAMP SOCKETS.
 FIXTURES TO BE FURNISHED WITH WIRE GUARDS OR MEANS TO LOCK LAMPS IN PLACE TO PREVENT FALLING OUT OF SOCKETS.



NOM. DIMENSIONS 125 mm X 102 mm X 1219 mm

GENERAL DESCRIPTION

HOUSING: DIE-FORMED COLD ROLLED STEEL, DESIGNED FOR INDIVIDUAL OR CONTINUOUS ROW MOUNTING

REFLECTORS: GLOSS WHITE

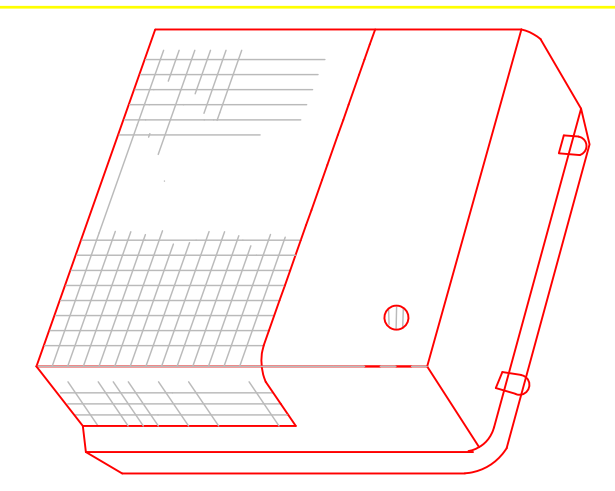
ELECTRICAL: 120 VOLT BALLAST

FINISH: WHITE ENAMEL OR POLYESTER POWDER COAT

FLUORESCENT STRIP LIGHT

FIXTURE TYPE "H"/"H1"

ARCHITECTURAL



- LUMINAIRE REQUIREMENTS
1. CAST ALUMINUM OR 3 mm MIN. THICKNESS EXTRUDED ALUMINUM HOUSING FOR HIGH PRESSURE SODIUM (HPS) LUMINAIRES.
 2. CAST ALUMINUM, 3 mm MIN. THICKNESS EXTRUDED ALUMINUM ABS PLASTIC OR POLYCARBONATE HOUSING FOR LOW PRESSURE SODIUM (LPS) AND 35/50/70W HPS LUMINAIRES.
 3. HINGED, U.V. STABILIZED POLYCARBONATE LENS OR HINGED TEMPERED GLASS WITH POLYCARBONATE SHIELD.
 4. LAMP SIZE AS INDICATED IN FIXTURE SCHEDULE.
 5. PROVIDE ALUMINUM REFLECTOR.
 6. BALLAST SHALL BE HIGH POWER FACTOR TYPE (> .85) WITH CHARACTERISTICS AS INDICATED.
 7. PROVIDE PHOTO ELECTRIC CONTROL WHEN INDICATED.
 8. PROVIDE INTERNAL GROUNDING PROVISIONS.

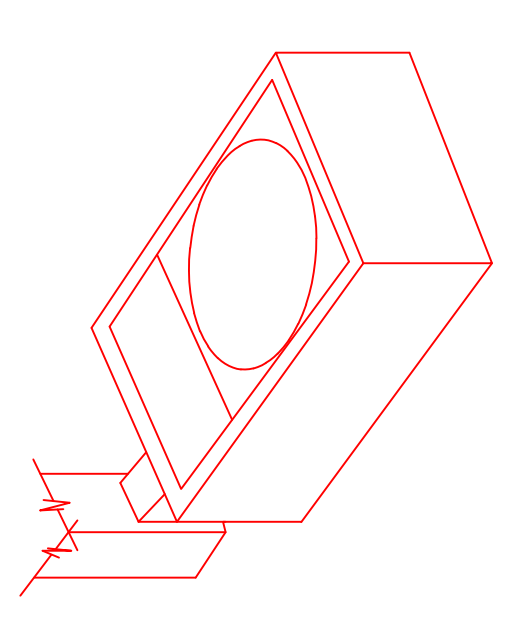
TYPE 70W HPS

H.I.D. WALL MOUNTED LUMINAIRE

TYPE "J" FIXTURE

FEATURES

LAMP TYPE: 400W METAL HALIDE
 PROFILE: 1 LAMP
 SHIELDING: 5 mm CLEAR TEMPERED GLASS REFLECTOR FACED SPECULAR ALUMINUM
 BALLAST: HIGH POWER FACTOR, CORE & COIL, CWA
 OTHER: TYPE 1 DISTRIBUTION



NOM. DIMENSIONS 642 mm X 470 mm X 143 mm

GENERAL DESCRIPTION

HOUSING: ONE PIECE EXTRUDED ALUMINUM, WELDED JOINTS. LENS HINGED & HELD IN PLACE BY CAPTIVE SCREWS.

MOUNTING: SQ. EXTRUDED MOUNTING ARM AND POLE WITH ANCHOR TYPE BASE, ANCHOR BOLTS & MOUNTING HARDWARE.

ELECTRICAL: 208 VOLT, 1 PHASE BALLAST.

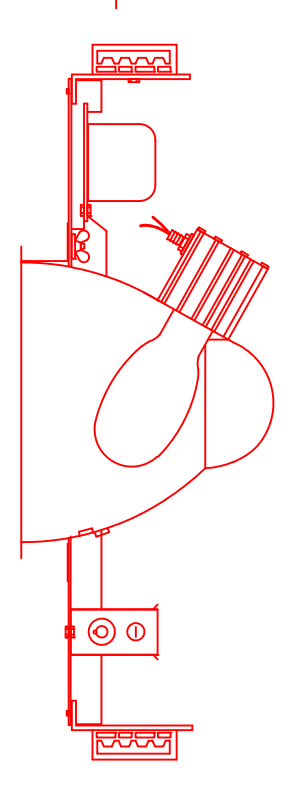
FINISH: FIXTURE MOUNTING ARM, HOUSING, DOOR FRAMES, POLE & BASE TO BE PAINTED DARK BRONZE FINISH.

POLE MOUNTED METAL HALIDE CUTOFF LUMINAIRE

FIXTURE TYPE "K"

FEATURES

LAMP TYPE: 70W MH
 PROFILE: 1 LAMP
 SHIELDING: CLEAR TEMPERED GLASS BALLAST: HIGH POWER FACTOR, CORE & COIL, CWA



NOM. DIMENSIONS 178 mm X 209 mm

GENERAL DESCRIPTION

HOUSING: CAST ALUMINUM HEAT SINK/SOCKET HOUSING, SPUN ALUMINUM REFLECTOR/CONE AND MOUNTING PAN

MOUNTING: RECESSED ACoustICAL TILE

REFLECTORS: CLEAR, SEMI-SPECULAR, HYDROFORMED ANODIZED ALUMINUM

ELECTRICAL: 120 VOLT BALLAST

EFFICIENCY: 50%

7" DIA. RECESSED METAL HALIDE DOWNLIGHT

FIXTURE TYPE "L"

FEATURES
 LAMP TYPE: LED
 MOUNTING: UNIVERSAL
 SHIELDING: FLAT SHEET ACRYLIC
 LETTERS: GREEN

OPTIONS
 LETTERS: RED
 OTHER: BRUSHED ALUMINUM, WHITE AND BRONZE

NOM. DIMENSIONS 289 mm X 200 mm X 44 mm

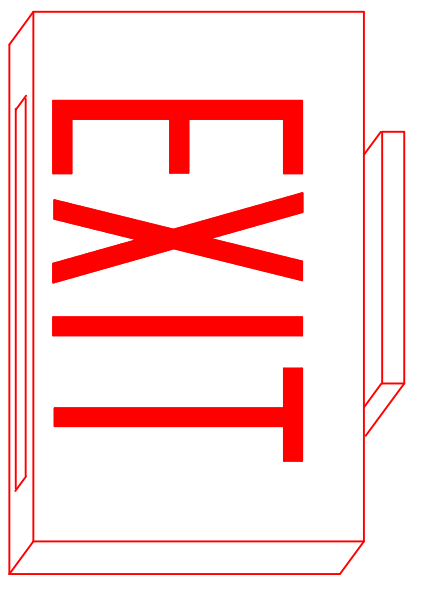
GENERAL DESCRIPTION

HOUSING: DIE-CAST ALUMINUM OR 20 GA. COLD ROLLED STEEL, HARDWARE FINISH TO MATCH HOUSING FINISH, 152 mm H LETTERS WITH 19 mm STROKE. DIRECTIONAL ARROWS AS REQUIRED

ELECTRICAL: 120 VOLT WITH EMERGENCY BATTERY BACKUP

FINISH: BLACK

OTHER: MINIMUM BRIGHTNESS 20 CD/SQ METER ON FACE OF SIGN.



LED STENCIL FACE EXIT SIGN

FIXTURE TYPE "X"/"X1"



Mark	Description	Date	Appr.	Mark	Description	Date	Appr.

Contract Date: 02/04/03 File Name: 151001E-502	Drawn by: MB Dwg. Code:	Designed by: RH Reviewed by: PWD	Submitted by: Atkins Benham, Inc. Invitation No.: DKW03-03-R-0021	Plot date: 02/04/03 Plot scale: 1:1	Contract No.: DKW03-03-B-
---	-------------------------------	---	--	--	------------------------------

DEPARTMENT OF THE ARMY
 U.S. ARMY CORPS OF ENGINEERS
 LITTLE ROCK DISTRICT
 LITTLE ROCK, ARKANSAS

Atkins Benham
 a member of the WS Atkins group of companies

ADAL C-130J AIRCREW FUSELAGE TRAINER
 LRAFB, LITTLE ROCK AR.
 Project No. NKAK 043005

LIGHT FIXTURE DETAILS

Sheet Reference Number:
E-502
 Sheet 85 of 91