

ADAL C-130U AIRCREW FUSELAGE TRAINER
 Project No. MWK 043005
 BUILDING SECTIONS

Sheet Reference Number:
A-302
 Sheet 26 of 91

DEPARTMENT OF THE ARMY
 U.S. ARMY CORPS OF ENGINEERS
 LITTLE ROCK DISTRICT
 LITTLE ROCK, ARKANSAS

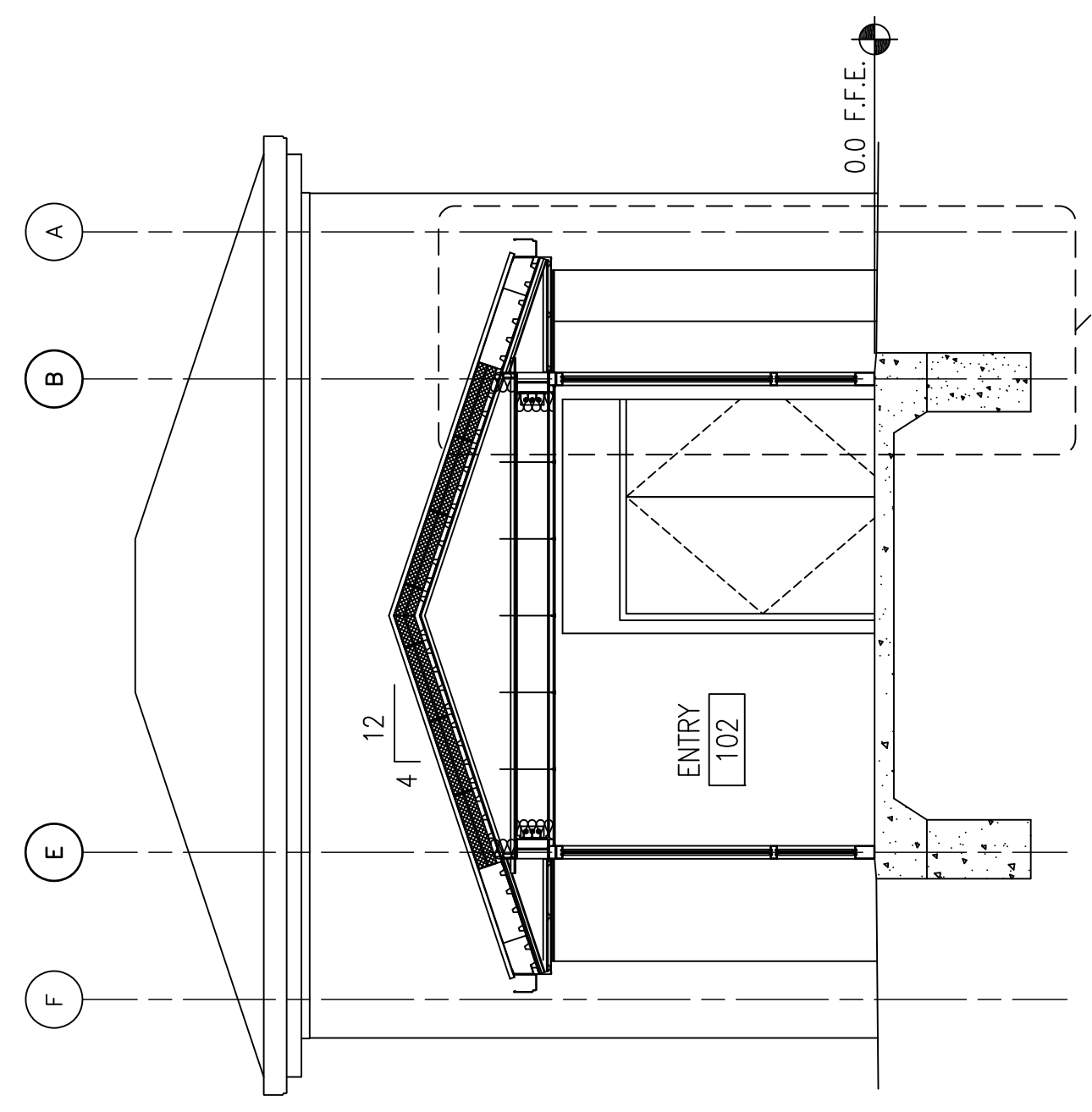
Benham
 a member of the Atkins group of companies

Submitted by: MWH
 Contract No: DMCR-03-0-021

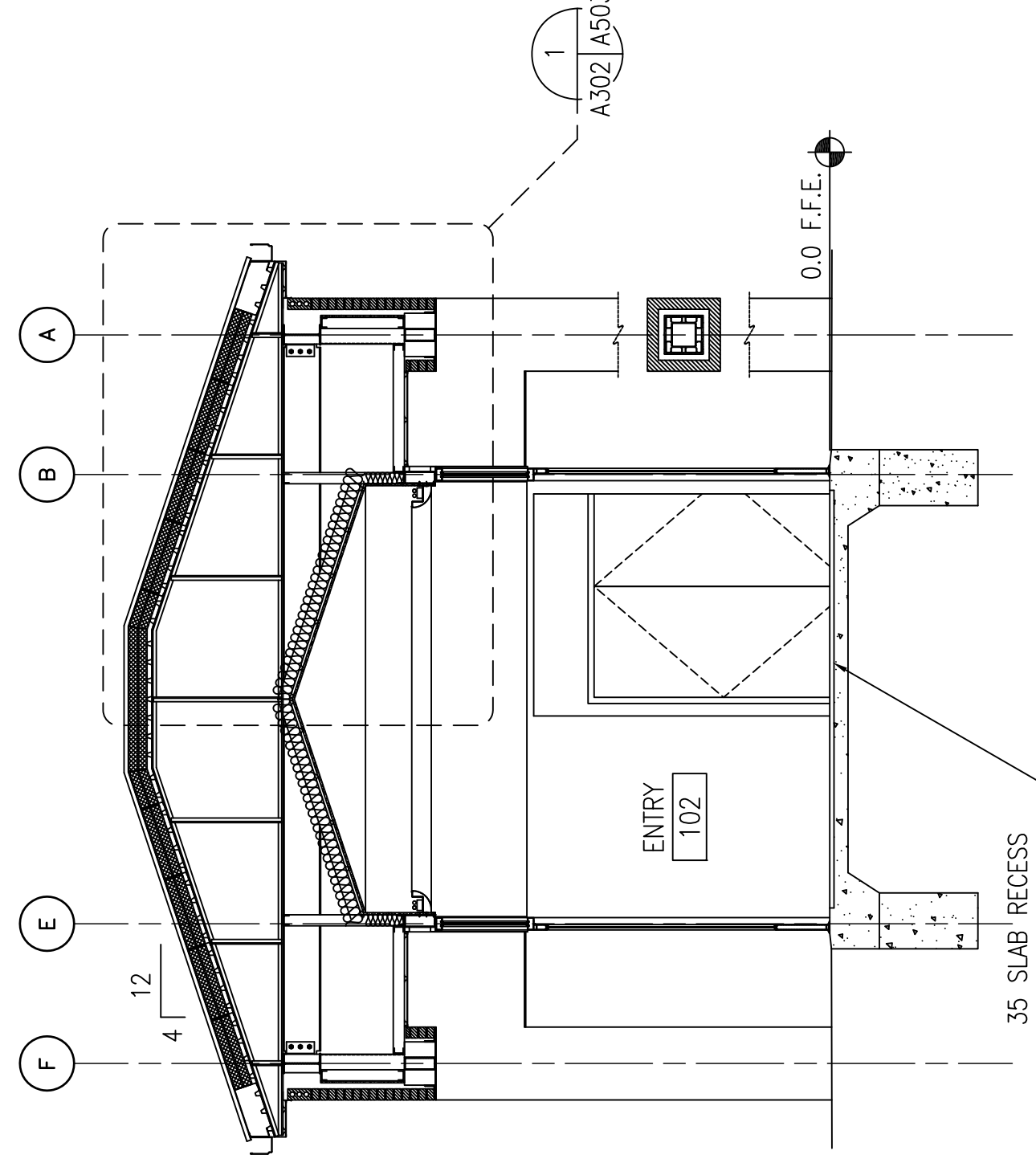
Designed by: JSP
 Drawn by: AFJ
 Dwg. Code: 151001A-302
 File Name: 151001A-302
 Contract Date: 02/04/03
 Pat. date: 02/04/03
 Pat. No.: 1-1

Rev	Description	Date	Appr.	Mark

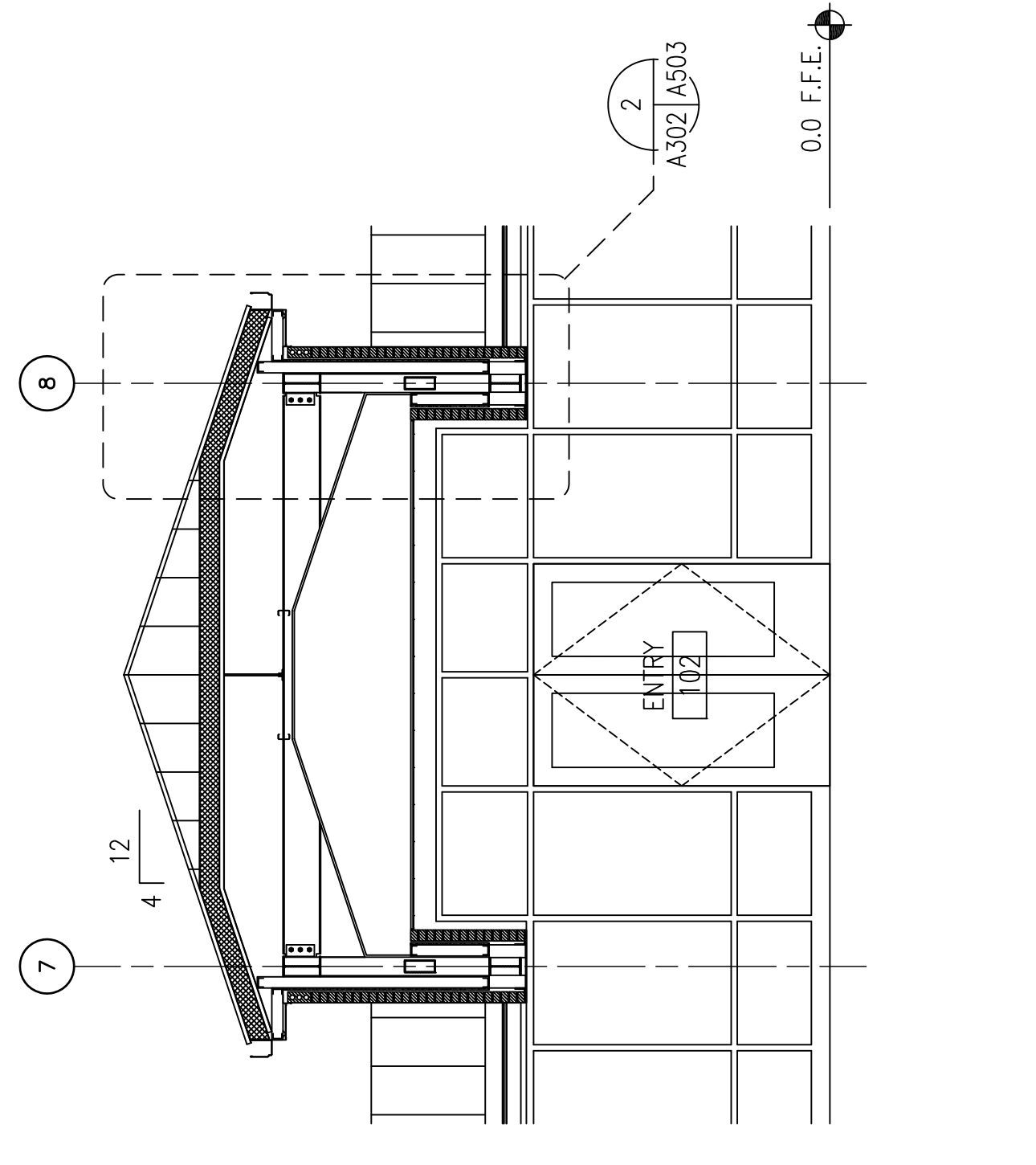
U.S. ARMY CORPS OF ENGINEERS
 LITTLE ROCK DISTRICT



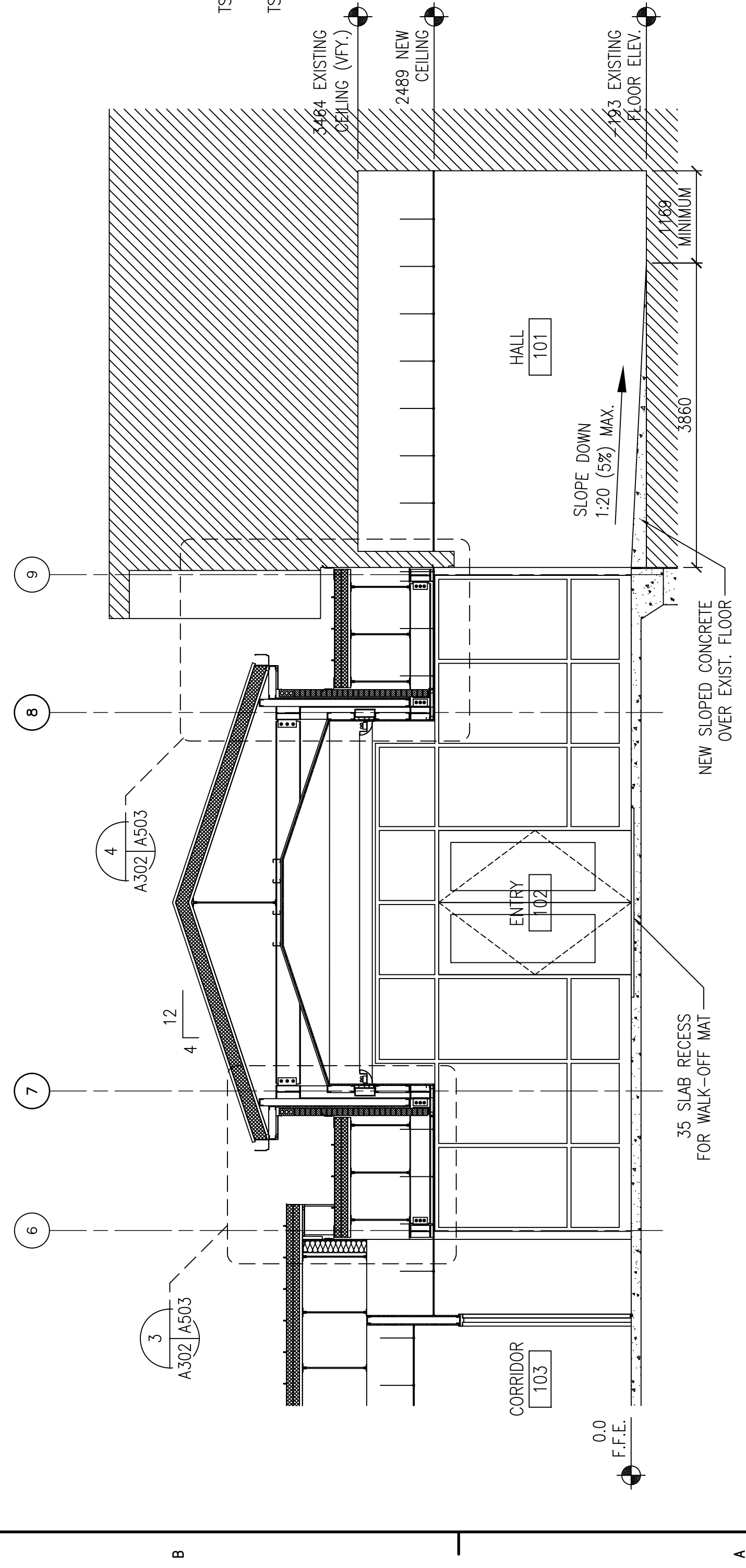
1 BUILDING SECTION
 A101/A302 SCALE: 1:50
 A201
 A202



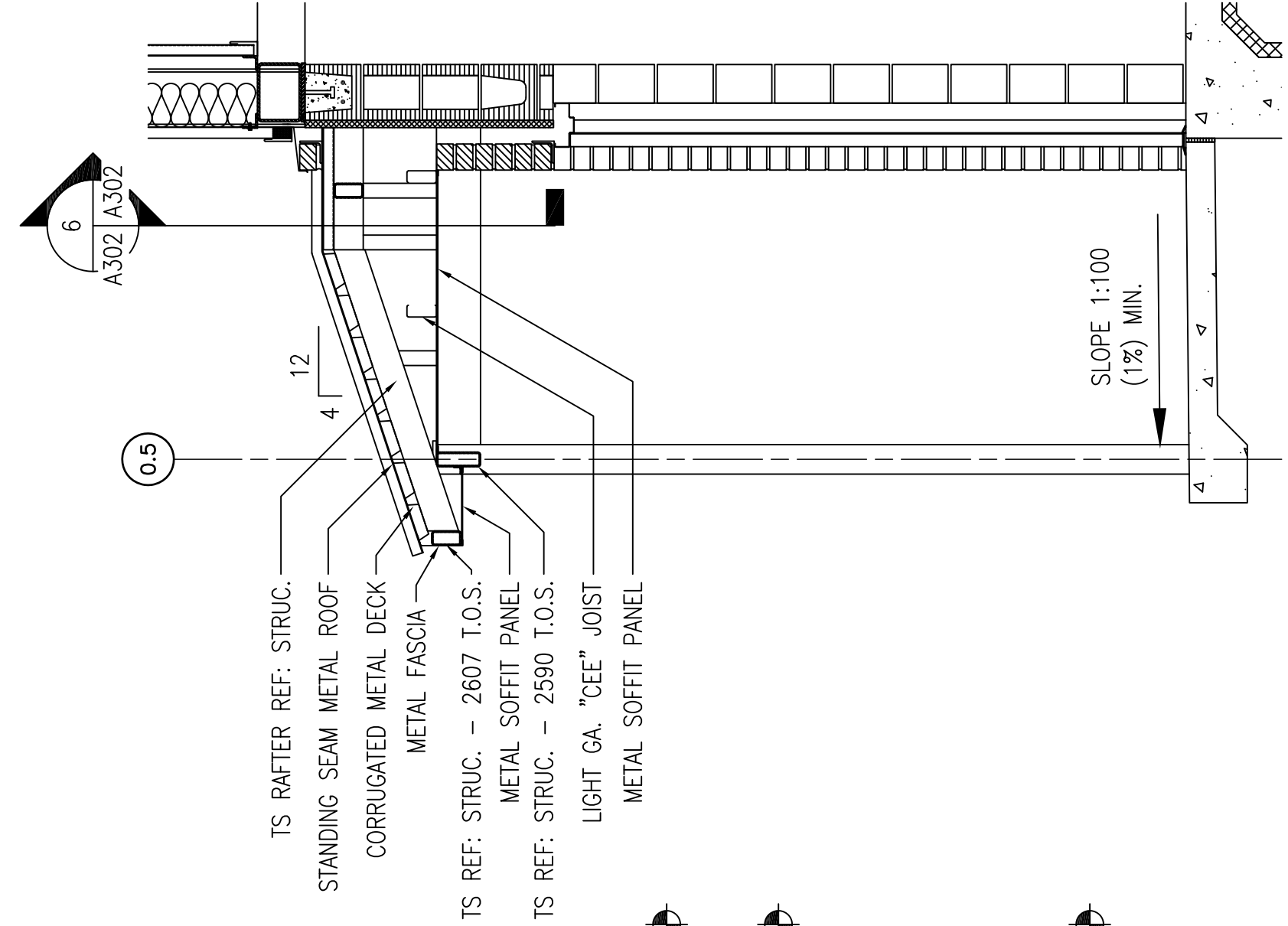
2 BUILDING SECTION
 A101/A302 SCALE: 1:50
 A201
 A202



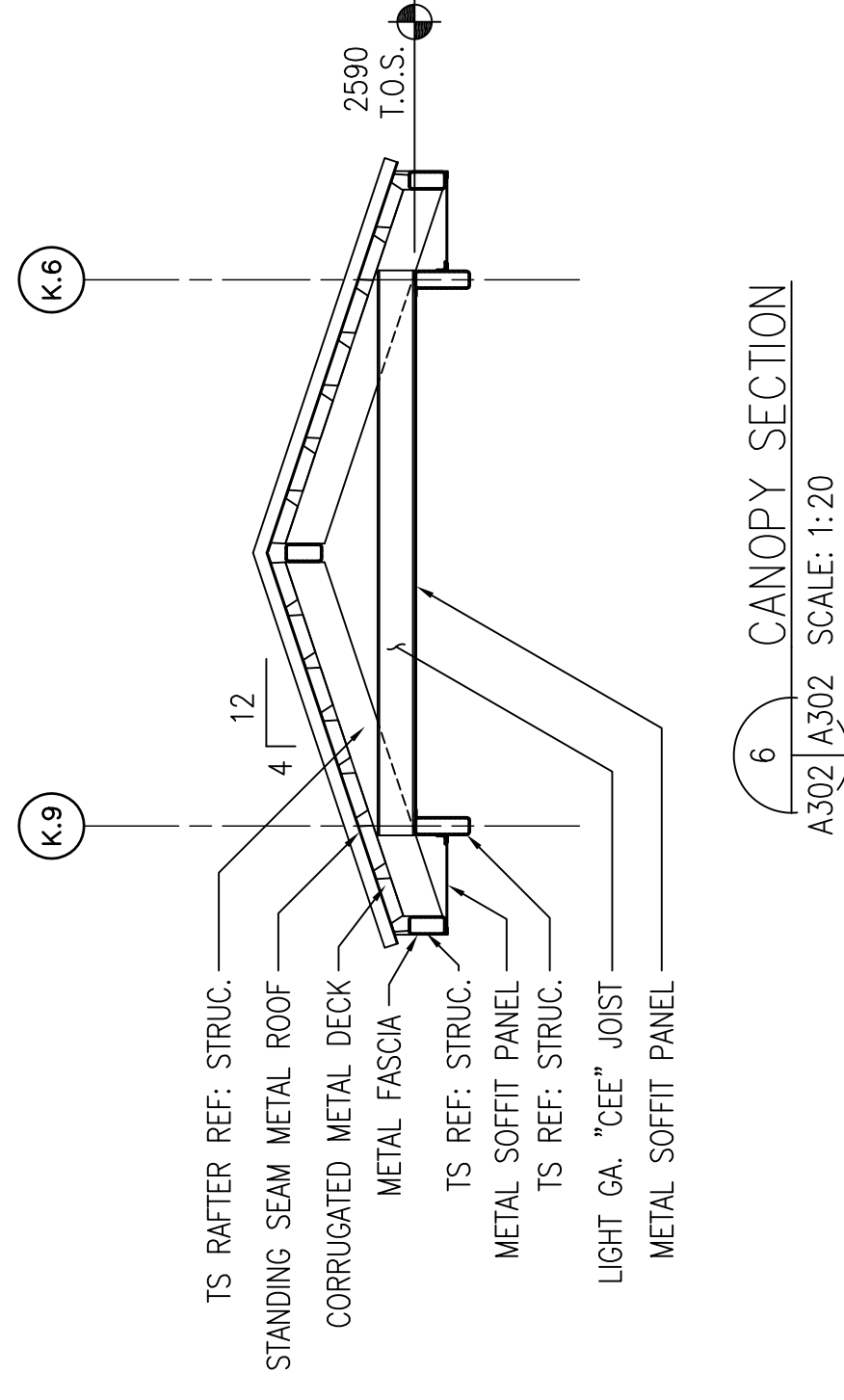
3 PARTIAL BUILDING SECTION
 A101/A302 SCALE: 1:50
 A201
 A202



4 PARTIAL BUILDING SECTION
 A101/A302 SCALE: 1:50
 A201
 A202



5 CANOPY SECTION
 A101/A302 SCALE: 1:20
 A201
 A202



6 CANOPY SECTION
 A302/A503 SCALE: 1:20

NOTE:
 ALL DIMENSIONS AND/OR DIMENSIONS SHOWN
 IN CALLOUTS/NOTES ARE IN MILLIMETERS
 (mm) UNLESS OTHERWISE NOTED.

GRAPHIC SCALE:
 0 200 400 800
 SCALE: 1:20
 0 500 1000 2000
 SCALE: 1:50