

Sheet Reference Number: **A-301**
 Sheet 25 of 91

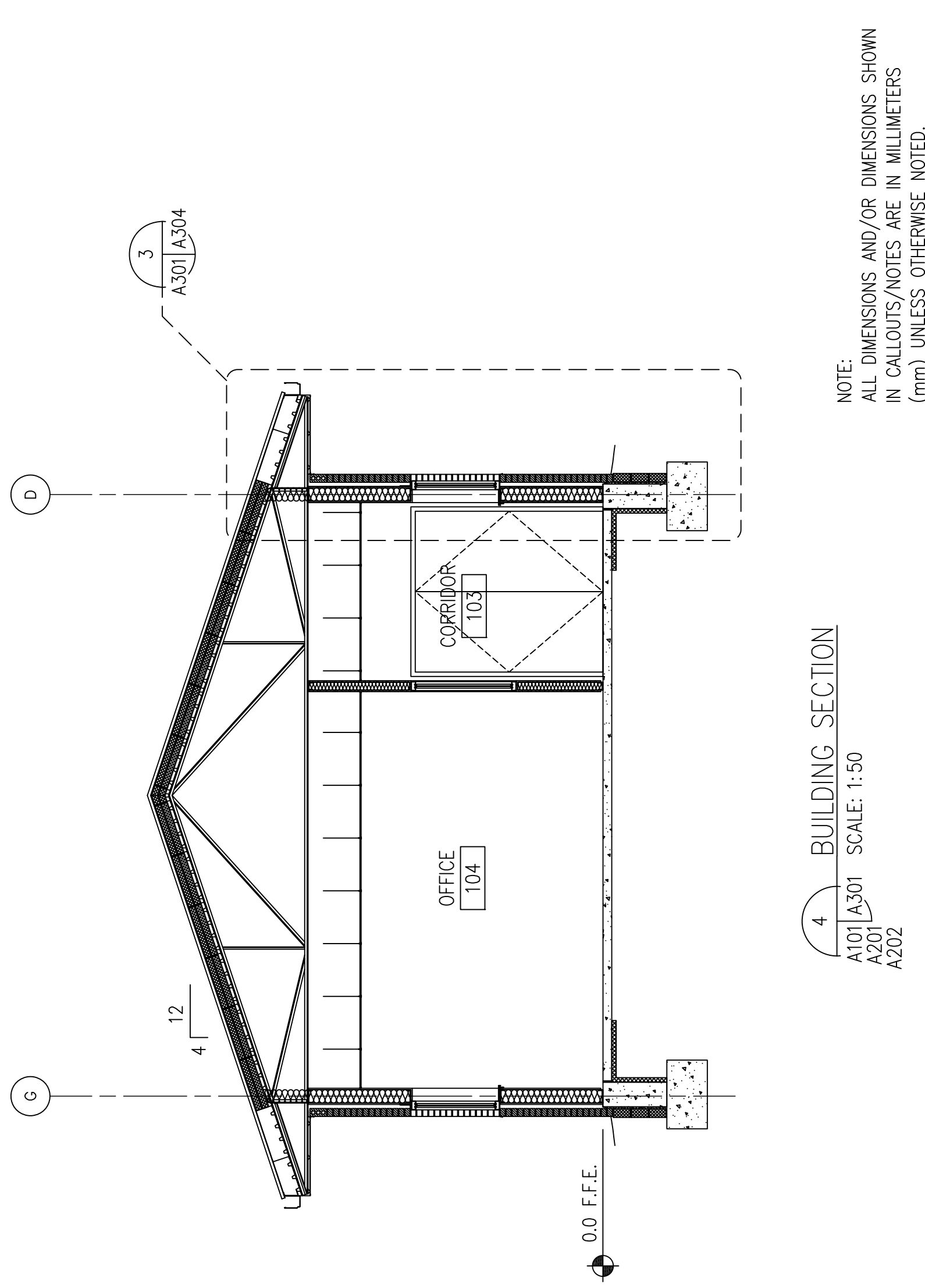
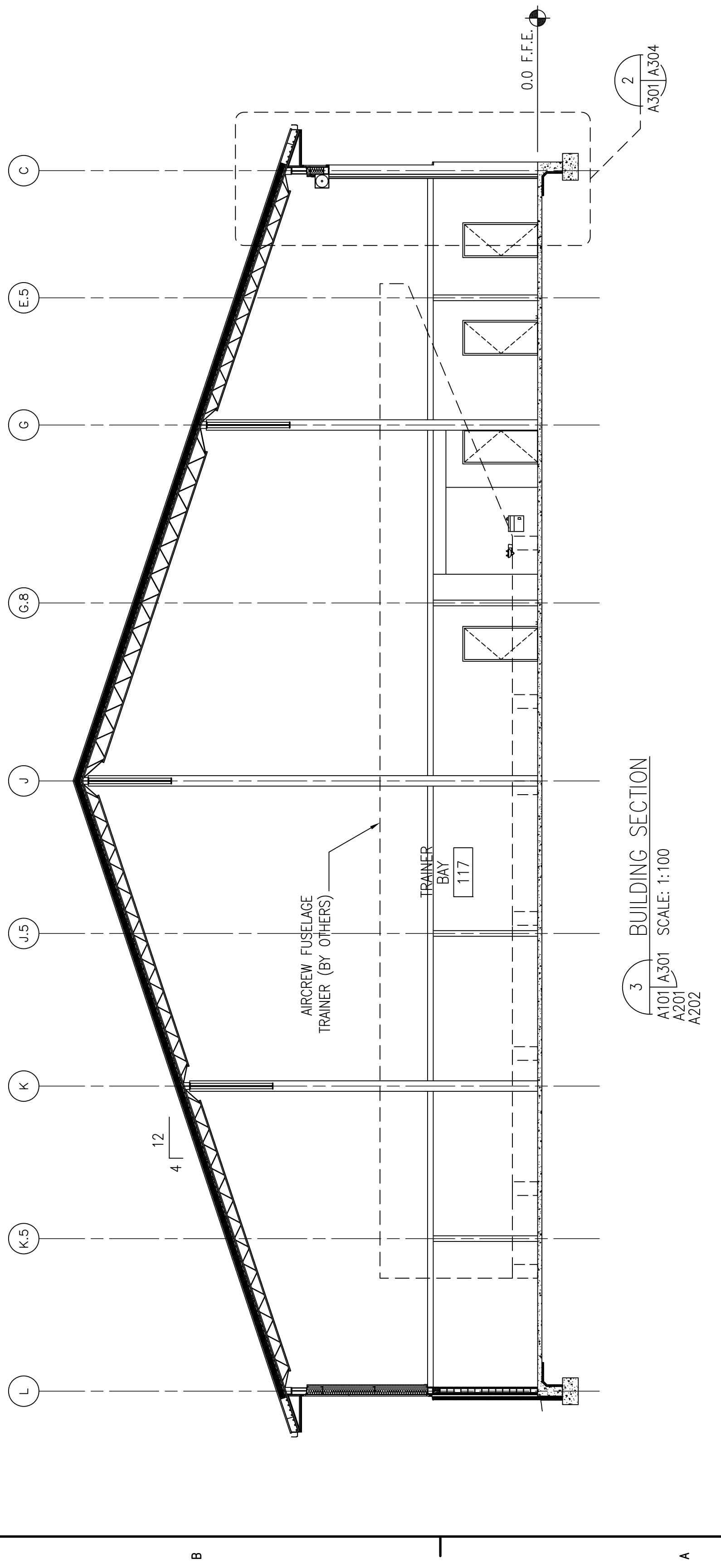
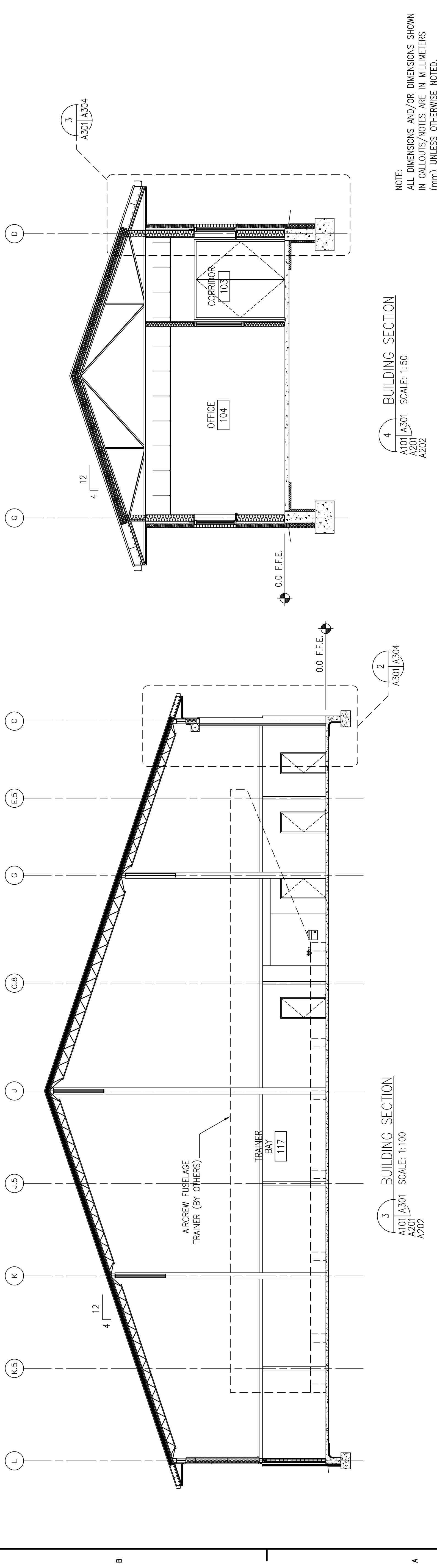
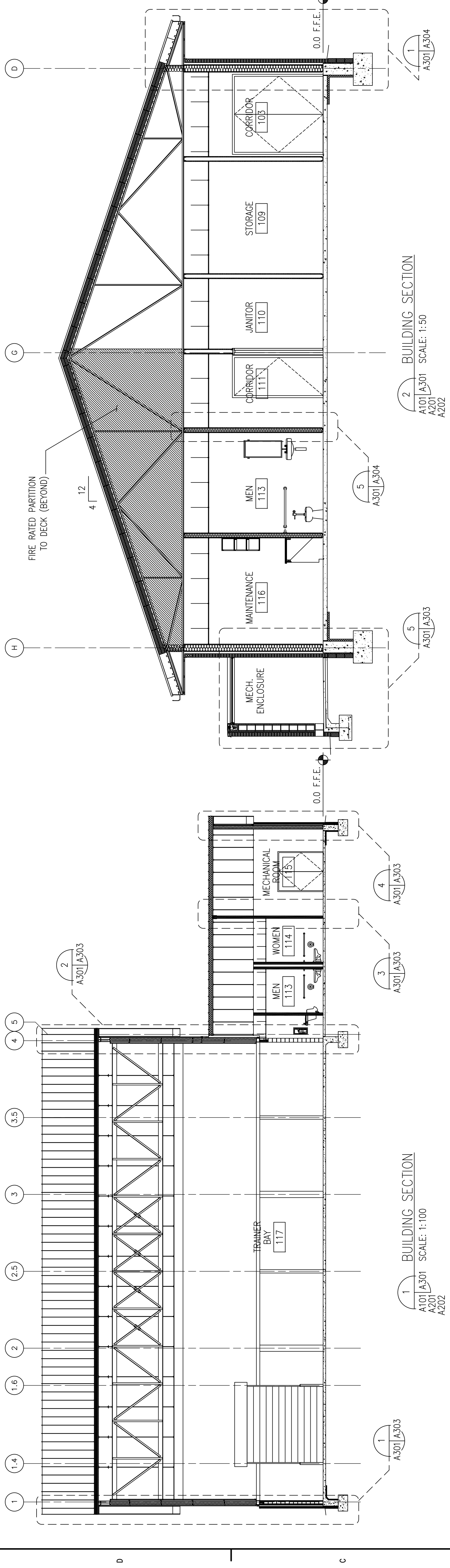
ADAL C-130U AIRCREW FUSELAGE TRAINER
 LRAFB, LITTLE ROCK AR.
 Project No. MWK 043005

DEPARTMENT OF THE ARMY
U.S. ARMY CORPS OF ENGINEERS
LITTLE ROCK DISTRICT
Atkins Benham
 (918) 482-1600 www.atkins.com
 a member of the WSP Group of companies

Submitted by: **Atkins Benham, Inc.**
 Contract No. **DMC01-03-R-0021**

Designed by: **AF**
 Drawn by: **AF**
 Dwg. Code: **151001A-301**
 File Name: **151001A-301**
 Contract Date: **02/04/03**
 Pat. date: **02/04/03**
 Project No. **151001A-301**

Rev	Description	Date	Appr.	Mark



NOTE:
 ALL DIMENSIONS AND/OR DIMENSIONS SHOWN
 IN CALLOUTS/NOTES ARE IN MILLIMETERS
 (mm) UNLESS OTHERWISE NOTED.

