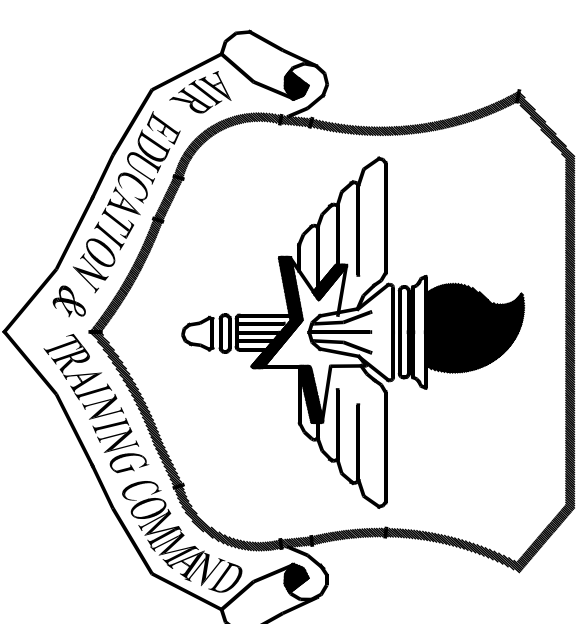


- DEMOLITION KEYED NOTES**
- 1 REMOVE AND SALVAGE EXIST. FLOORS, FRAME, AND HARDWARE.
  - 2 REMOVE EXIST. METAL STUD PARTITIONS.
  - 3 REMOVE EXIST. SUSPENDED CEILING SYSTEM AND ALL ASSOC. FIXTURES, DEVICES, AND TRIMS. REFER TO REFLECTED CEILING PLAN SHEET A103.
  - 4 REMOVE EXIST. CONC. SIDEWALKS. REFER TO SITE PLAN FOR LIMITS OF REMOVAL.
  - 5 REMOVE AND SALVAGE EXIST. ALUM. DOOR/WINDOW SYSTEM.
  - 6 REMOVE EXIST. BRICK VENEER. PREP WALLS FOR NEW INTERIOR FINISHES.

- GENERAL DEMOLITION NOTES**
1. PROVIDE MECH. AND ELEC. REMOVAL AND TEMPORARY TERMINATIONS OF SERVICE. THE ROOMS/PARTITIONS TO BE REMOVED.
  2. REMOVE EXIST. LANDSCAPING, SOD, AND SUBGRADE AS REQUIRED TO CONSTRUCT ADDITION.
  3. REMOVE EXIST. STANDING SEAM ROOF SYSTEM AS REQUIRED TO CONSTRUCT NEW ADDITION. INSTALL A TEMPORARY ROOF AS THE ROOF PANELS ARE REMOVED. PROVIDE PROTECTIVE SHEETING TO THE INTERIOR FROM MOISTURE AND DUST.
  4. REFER TO M.E.P. DRAWINGS FOR SPECIFIC SYSTEM REMOVAL/MODIFICATION REQUIREMENTS.



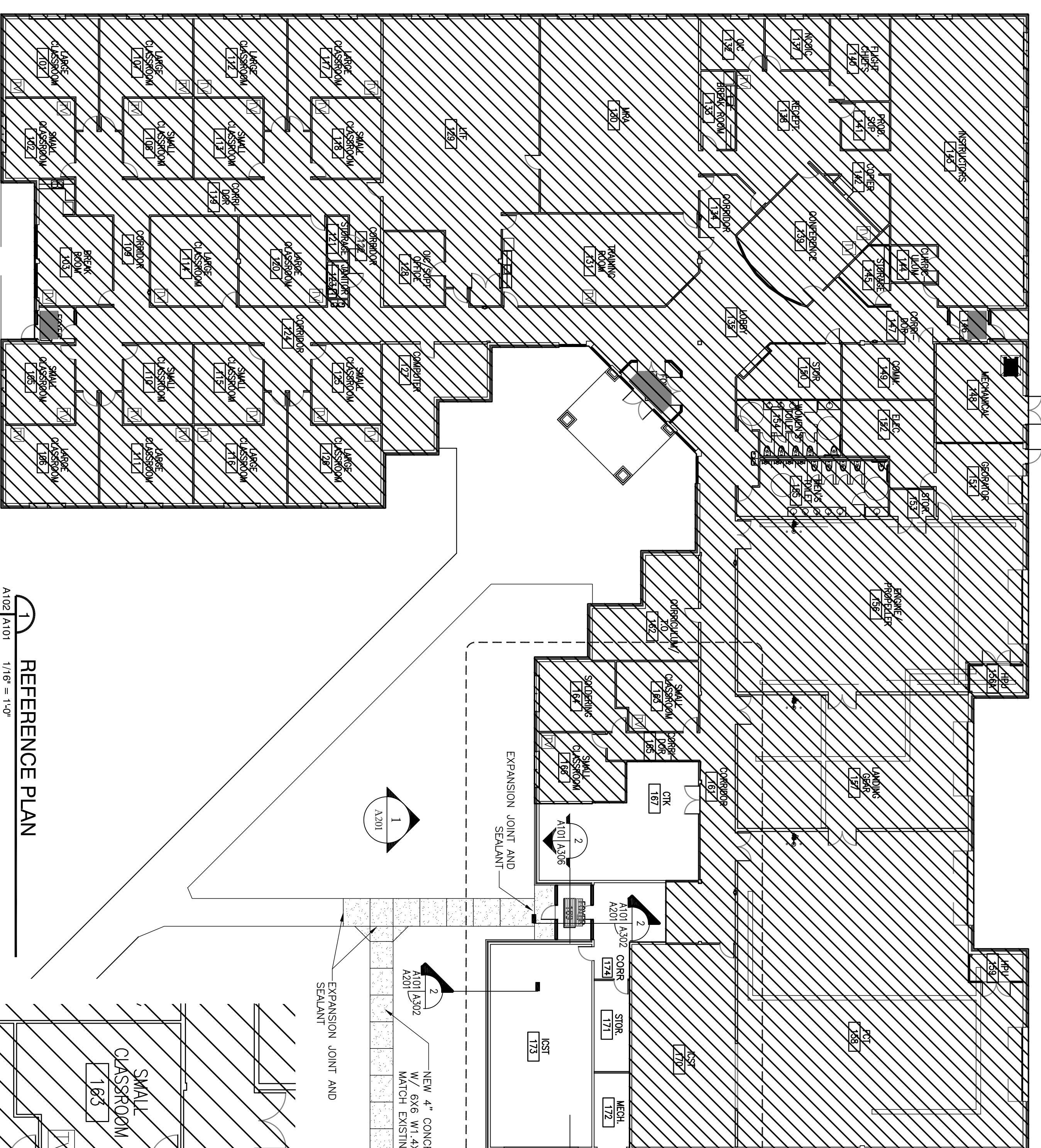
**CLEMENTS & ASSOCIATES ARCHITECTURE, INC.**  
 507 MAIN STREET  
 NORTH LITTLE ROCK, ARKANSAS 72114  
 PHONE: 501.585.5530 FAX: 501.585.9631  
 WWW.CLEMENTSARCHITECTS.COM

No.	Revision/Issue	Date	BY	APP'D

PROJECT TITLE  
**LITTLE ROCK AIR FORCE BASE, BUILDING 1222**  
 C-130J MAINTENANCE TRAINING FACILITY ADDITION  
 NKA&K 06-1088  
 BRAC CONSTRUCT  
 MTF ICST BAY

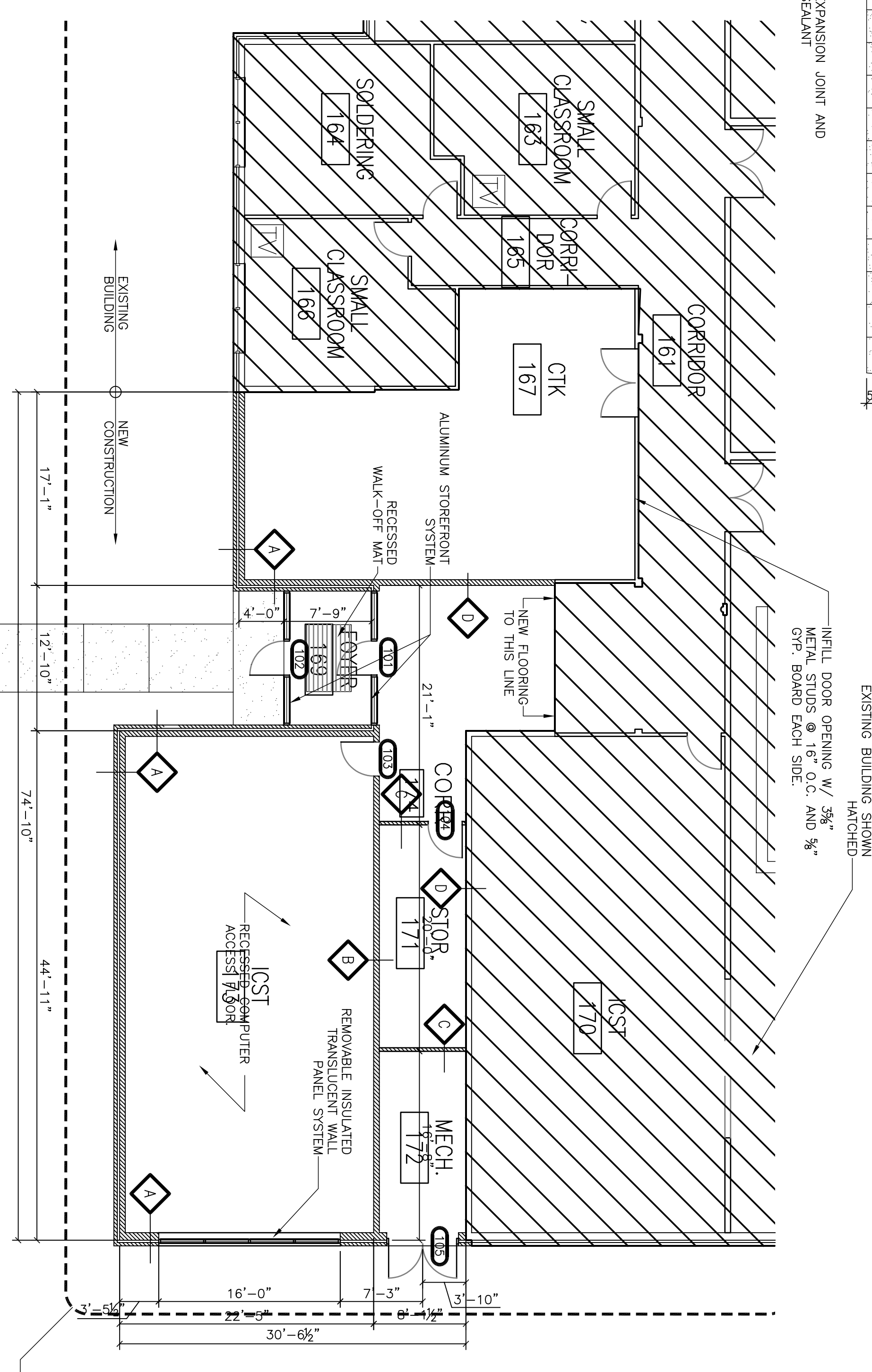
SHEET TITLE  
**PRICING PACKAGE**

DRAWN BY	LEAD DESIGNER
TECH REVIEWER	FILE LOCATION
DESIGNED BY	PROJECT NUMBER
DATE	SHEET
6 September 2006	<b>A101</b>
SCALE	AS NOTED

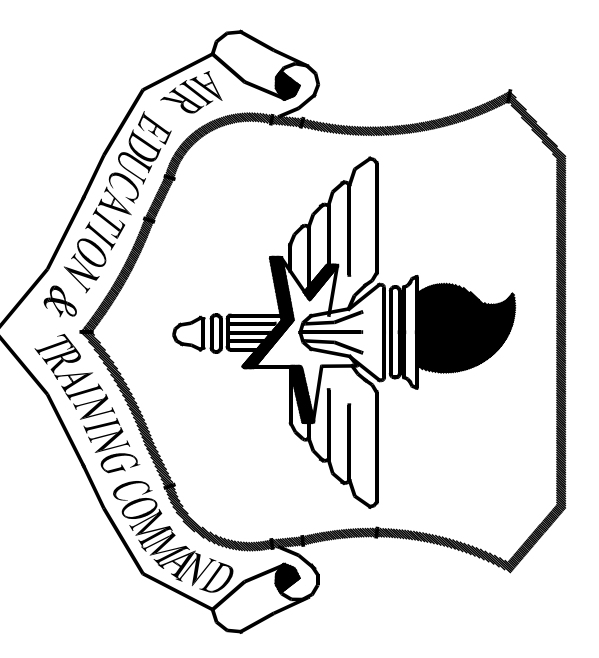


1 REFERENCE PLAN  
1/16" = 1'-0"

WALL TYPE LEGEND	
A	EXTERIOR WALL CONSTRUCTION: ¾" GYP. BD. INTERIOR ON 6" MET. STUDS (16 GA.) @ 16" O.C. W/ R-19 FIBERGLASS INSULATION AND ½" EXTERIOR Gypsum SHEATHING W/ Masonry WALL TIES PER IBC 2003 AND BRICK VENEER ON 2" AIR SPACE.
B	INTERIOR WALL CONSTRUCTION: 6" METAL STUDS (18 GA.) @ 16" O.C. W/ SOUND ATTENUATION BATTIS AND ¾" GYP. BD. EACH SIDE.
C	INTERIOR WALL CONSTRUCTION: 3½" METAL STUDS (20 GA.) @ 16" O.C. W/ SOUND ATTENUATION BATTIS AND ¾" GYP. BD. EACH SIDE.
D	INTERIOR WALL CONSTRUCTION: EXIST. EXTERIOR WALL. REMOVE MASONRY ANCHORS AND INSTALL NEW ¾" METAL STUDS (24" O.C. FINISH GYP. BOARD ONE SIDE. W/ ¾" GYP. BOARD ONE SIDE.



2 ENLARGED PLAN  
1/8" = 1'-0"



**CLEMENTS & ASSOCIATES ARCHITECTURE, INC.**  
507 MAIN STREET  
NORTH LITTLE ROCK, ARKANSAS 72114  
PHONE: 501-595-5530 FAX: 501-595-5831  
WWW.CLEMENTSARCHITECTS.COM

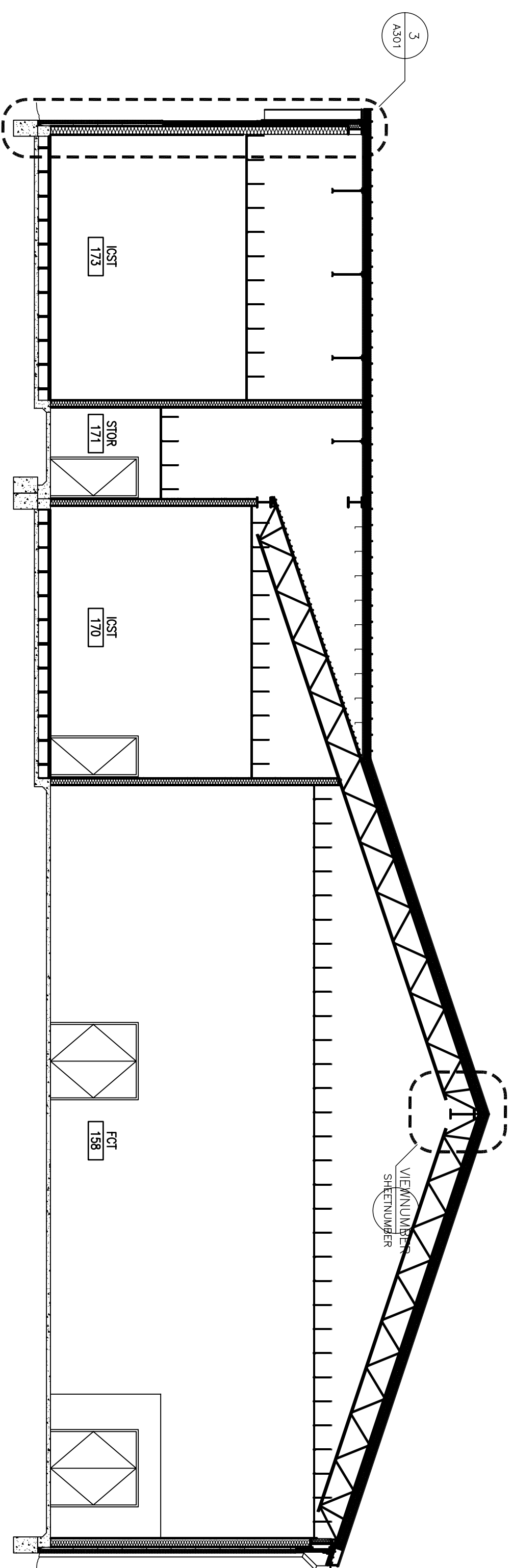
No.	Revision/Issue	Date	BY	APP'D

PROJECT TITLE  
**LITTLE ROCK AIR FORCE BASE BUILDING 1222**  
C-130J MAINTENANCE TRAINING FACILITY ADDITION  
NNAK 05-1089  
BRAC CONSTRUCT  
M/F (CST) BAY

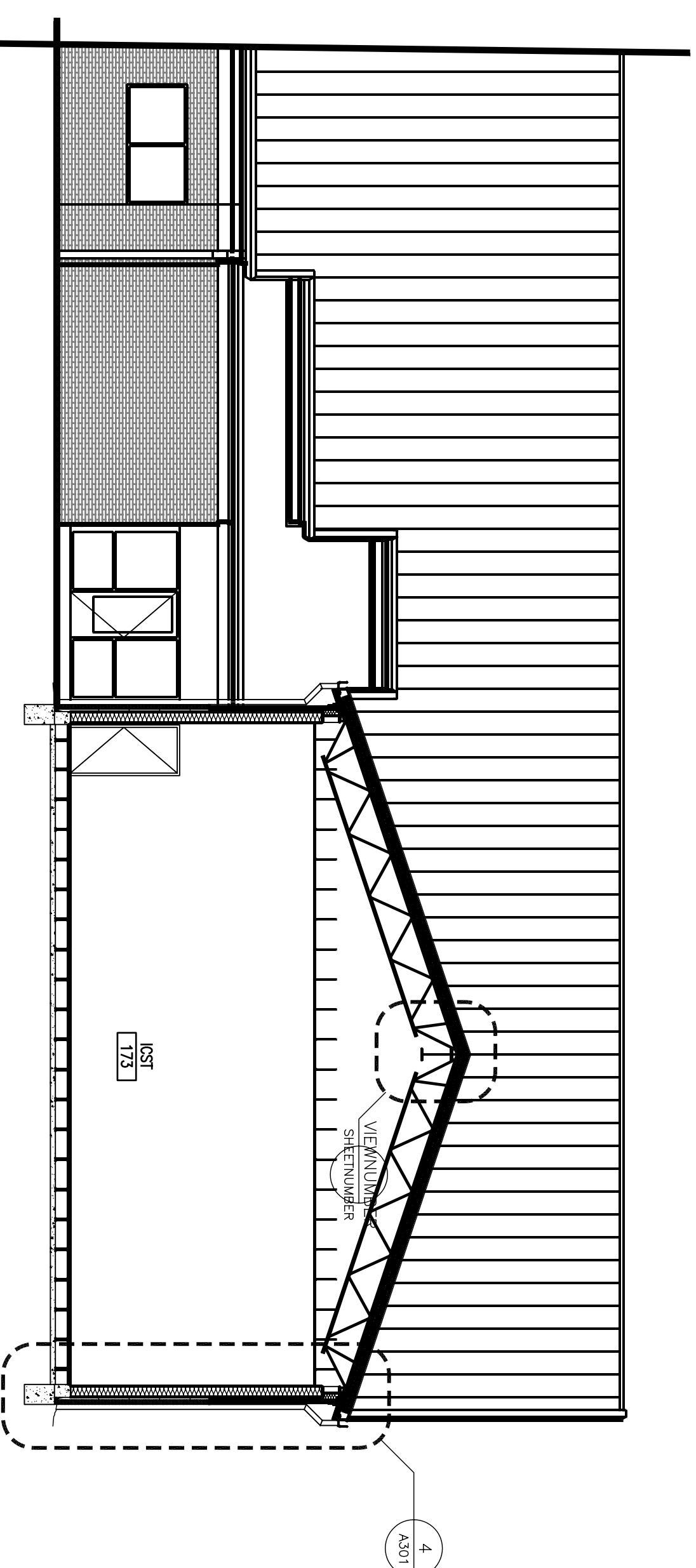
SHEET TITLE  
**PRICING PACKAGE**

DRAWN BY	LEAD DESIGNER
TECH REVIEWER	FILE LOCATION
DESIGNED BY	PROJECT NUMBER
DATE	SHEET
SCALE	A102
AS NOTED	OF

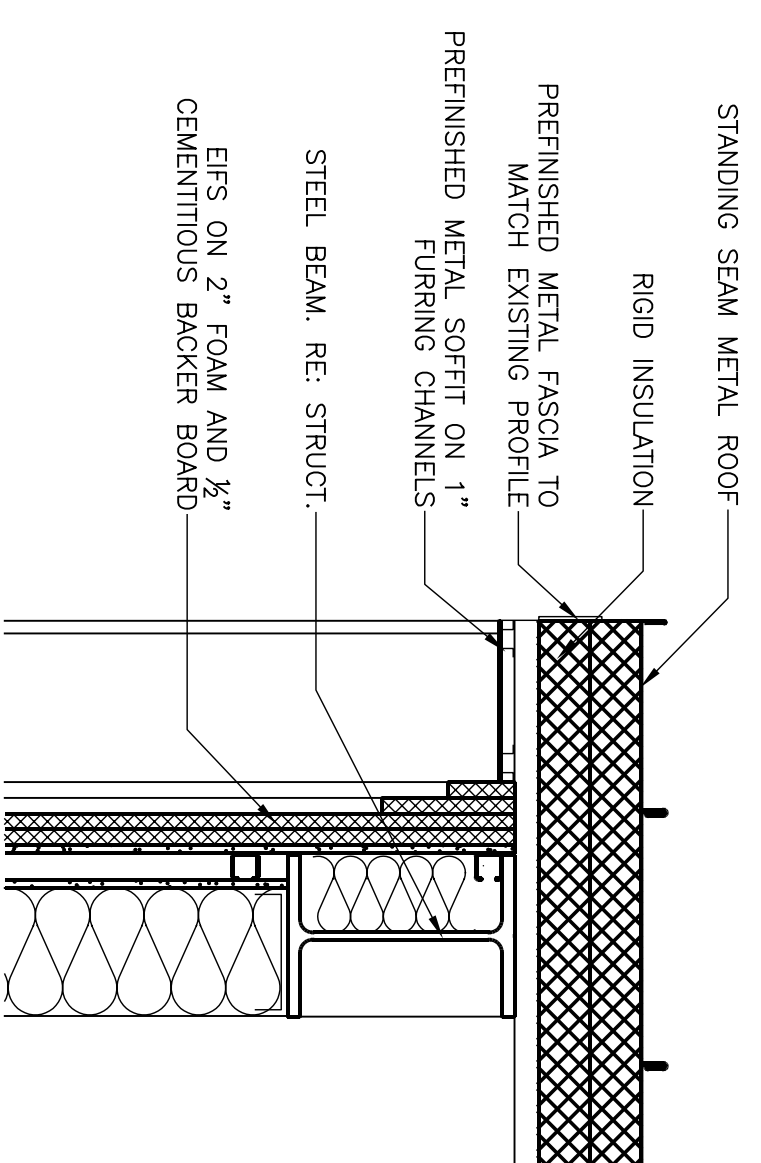




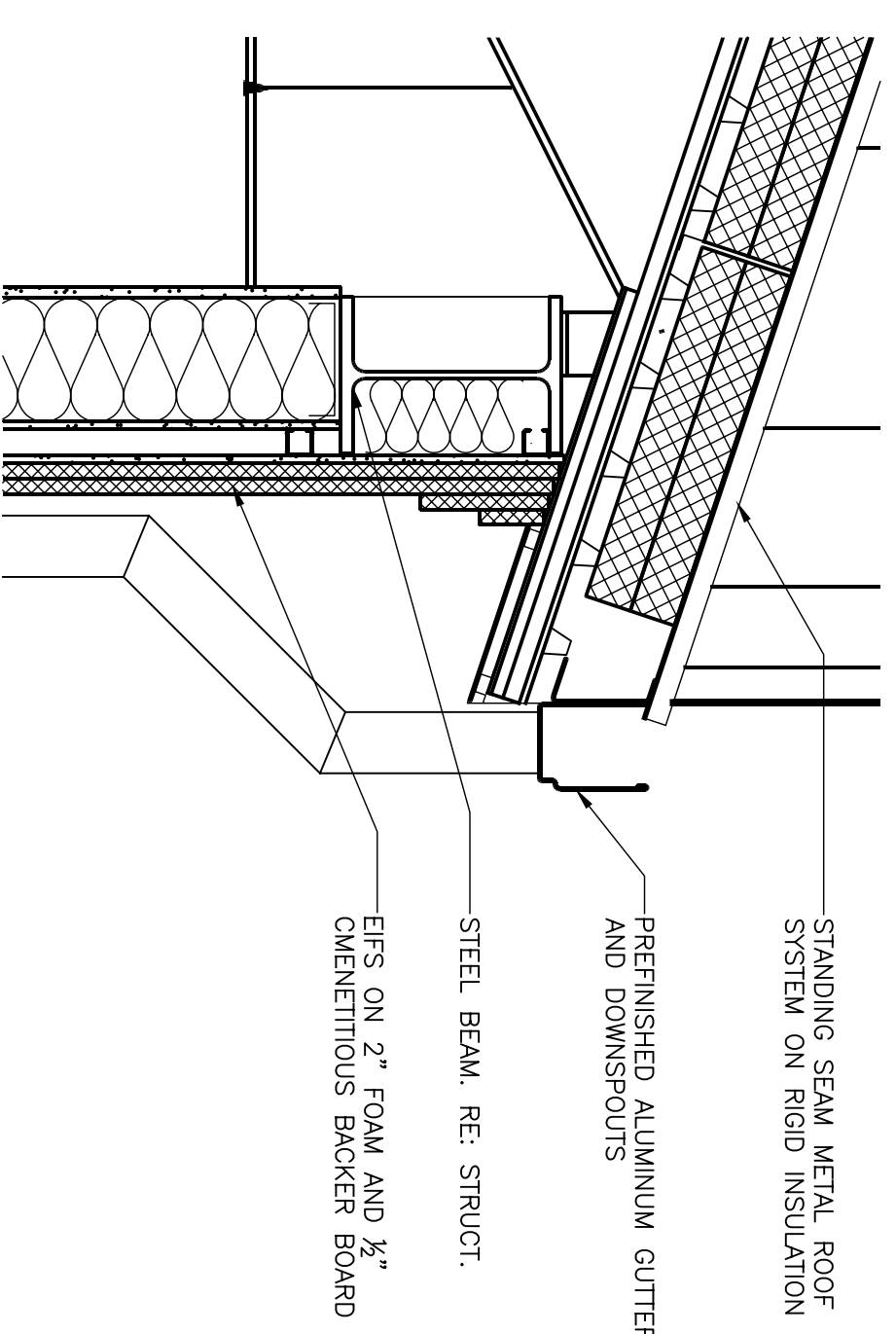
1 BUILDING SECTION  
1/8" = 1'-0"



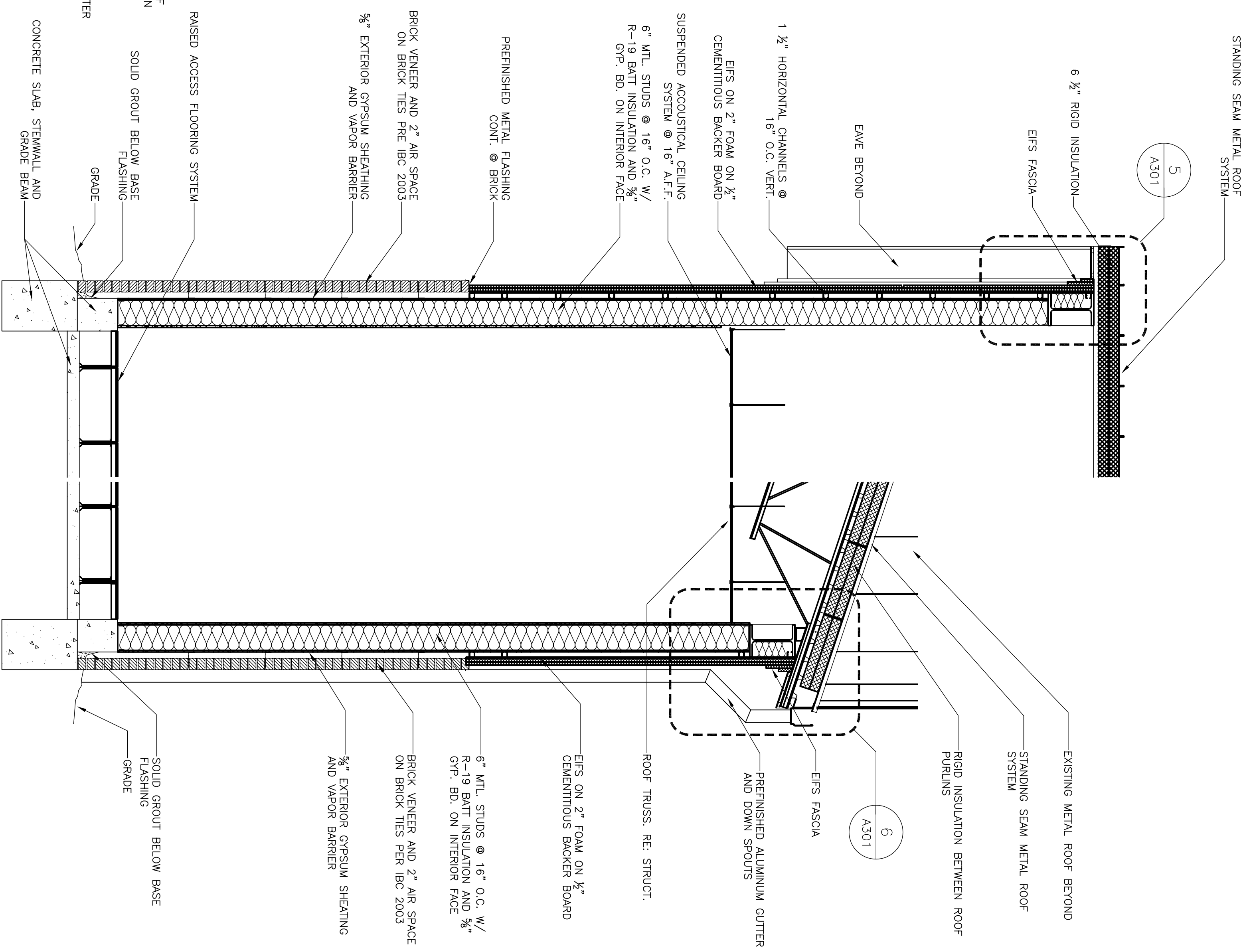
2 BUILDING SECTION  
1/8" = 1'-0"



3 DETAIL  
1" = 1'-0"

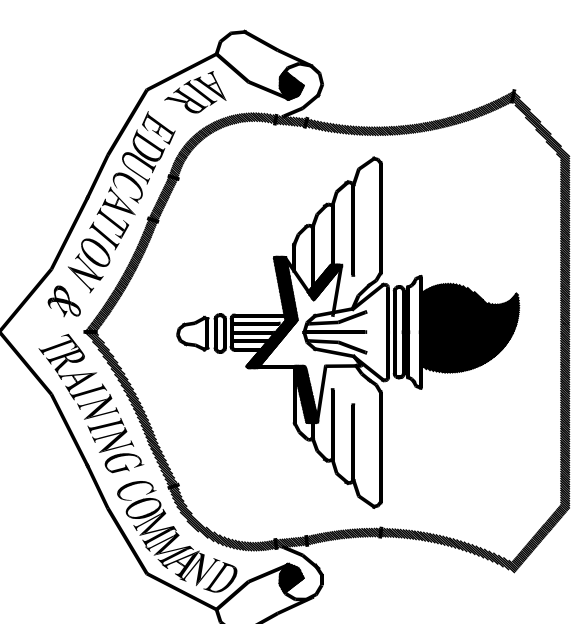


6 DETAIL  
1" = 1'-0"



3 WALL SECTION  
1/2" = 1'-0"

4 WALL SECTION  
1/2" = 1'-0"



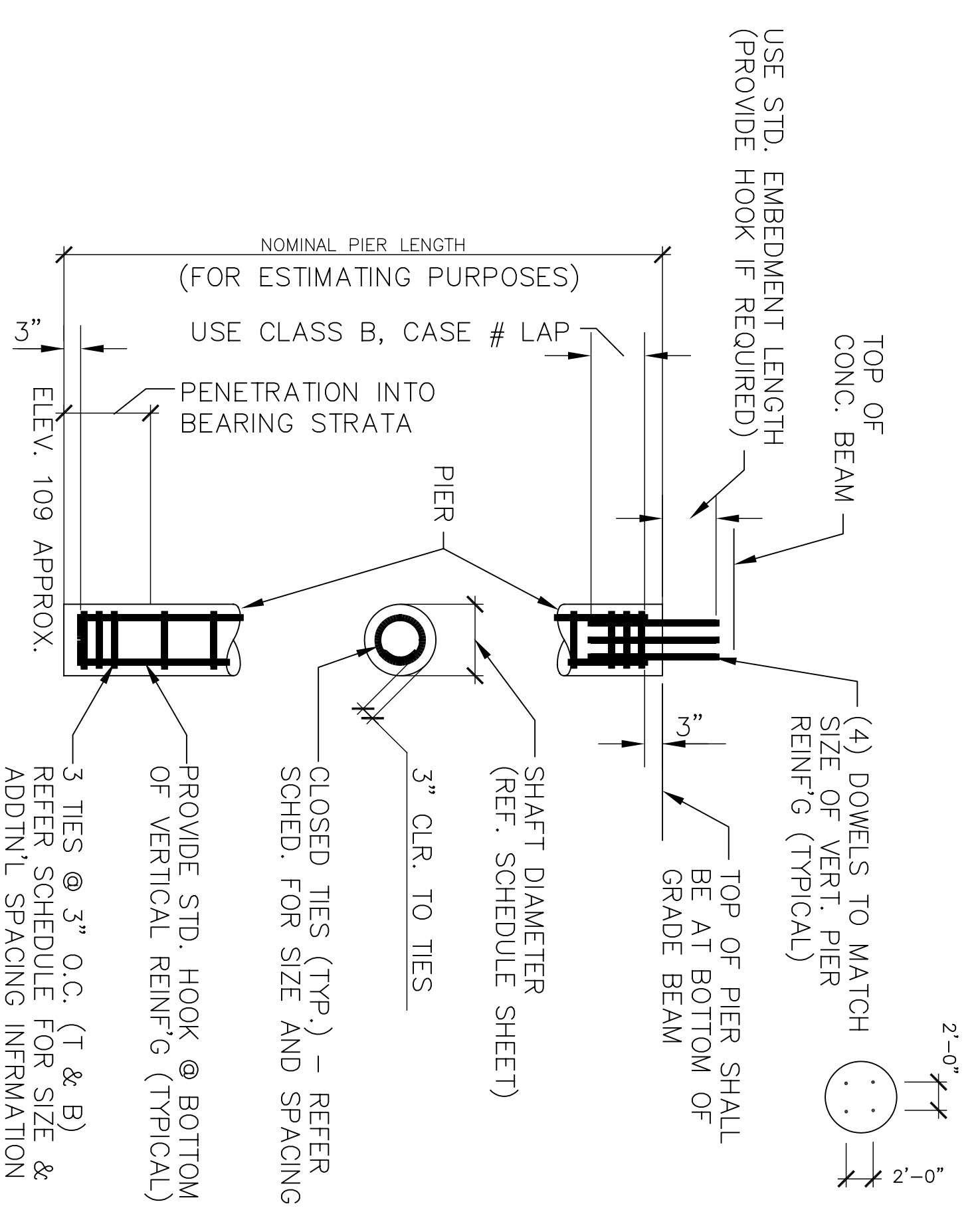
**CLEMENTS & ASSOCIATES ARCHITECTURE, INC.**  
507 MAIN STREET  
NORTH LITTLE ROCK, ARKANSAS 72114  
PHONE: 501.585.5530 FAX: 501.585.5681  
WWW.CLEMENTSARCHITECTS.COM

No.	Revision/Issue	Date	BY	APP'D

**PROJECT TITLE**  
LITTLE ROCK AIR FORCE BASE, BUILDING 1222  
C-130J MAINTENANCE TRAINING FACILITY ADDITION  
NKA06-08-089  
BRAC CONSTRUCT  
MFC 051 BAY

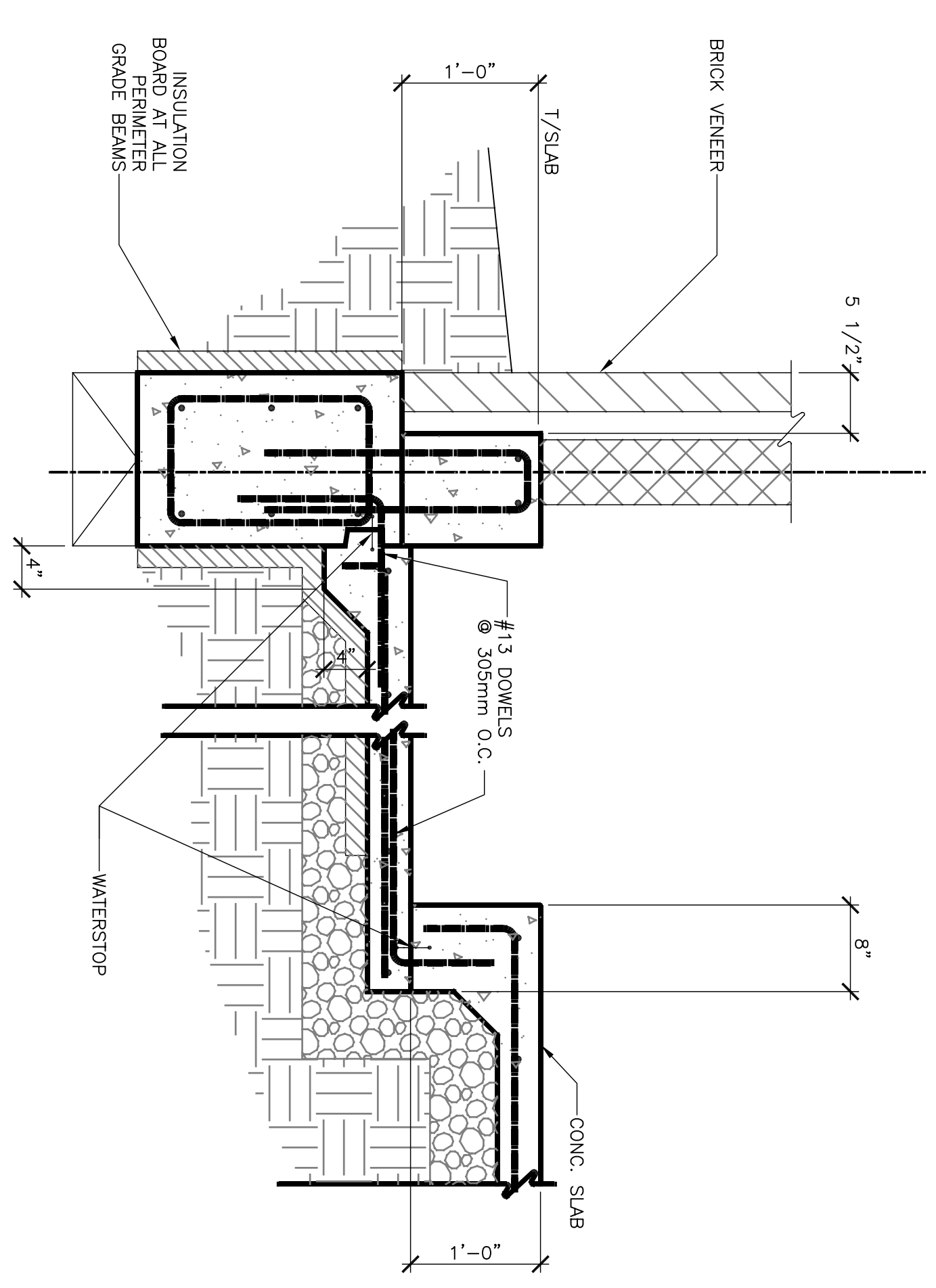
**SHEET TITLE**  
BUILDING SECTIONS  
**PRICING PACKAGE**

DRAWN BY	LEAD DESIGNER
TECH REVIEWER	FILE LOCATION
DESIGNED BY	PROJECT NUMBER
DATE	SHEET
6 September 2006	A301
SCALE	OF
AS NOTED	-

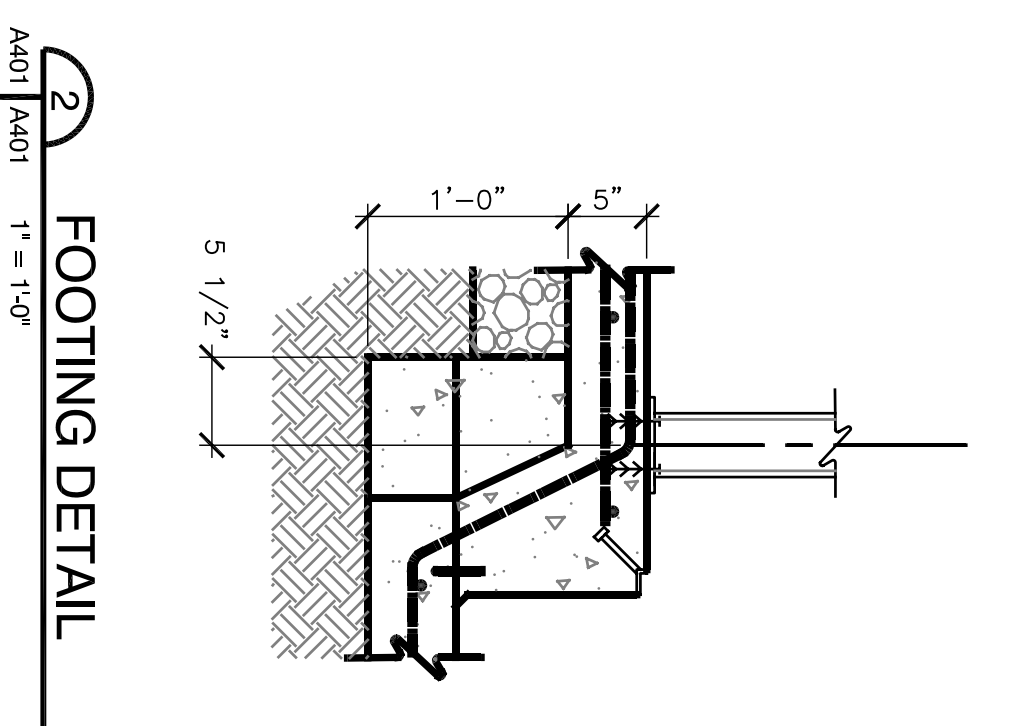


NOTE:  
CONTRACTOR SHALL PROVIDE  
12 PIERS AS SHOWN.

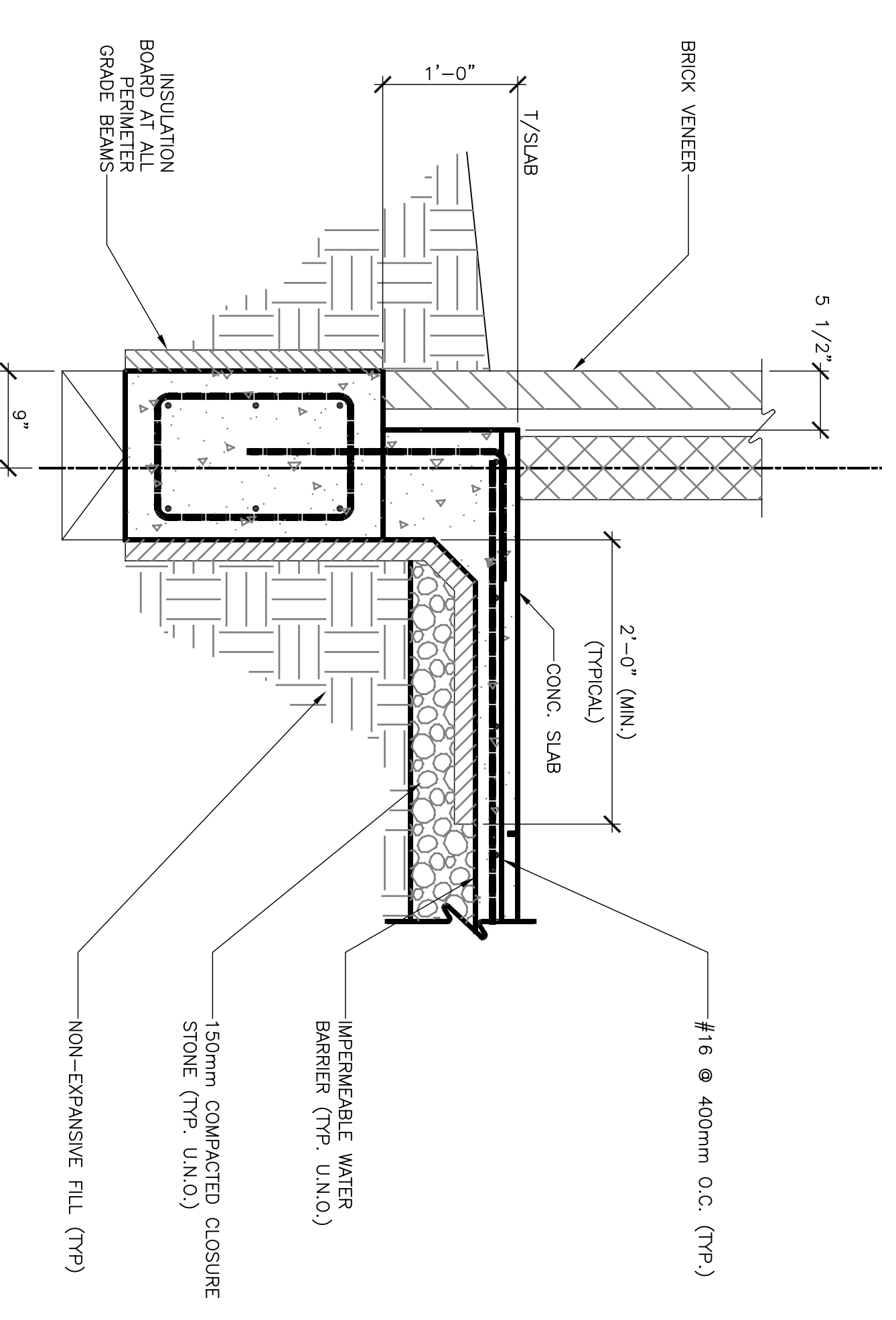
1 TYP. PIER DETAIL  
1/2" = 1'-0"



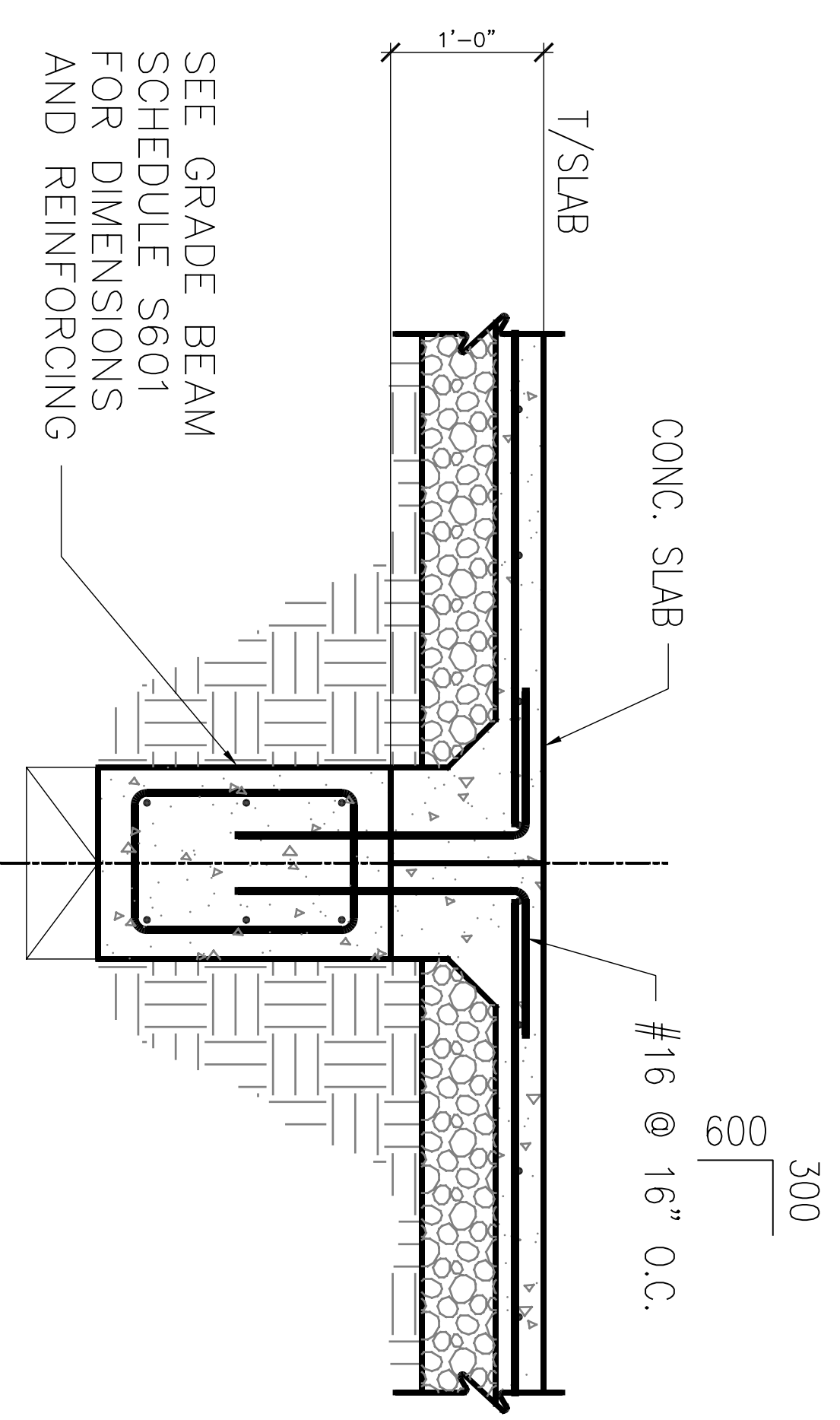
4 RECESSED SLAB DETAIL  
1" = 1'-0"



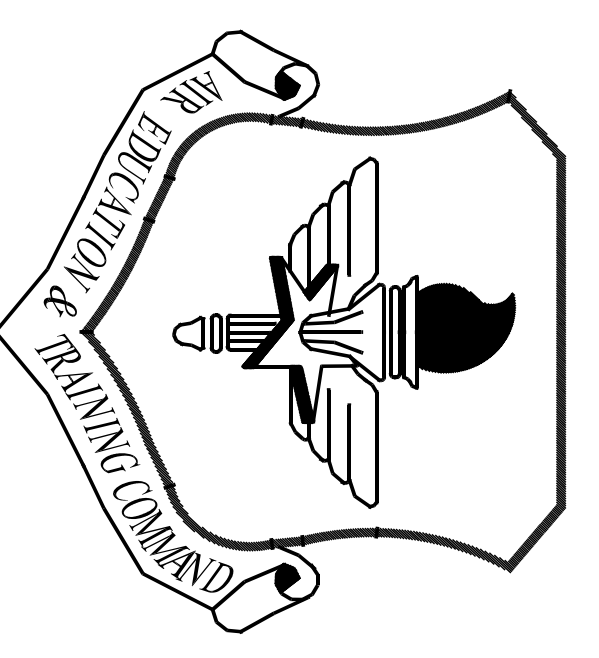
2 FOOTING DETAIL  
1" = 1'-0"



3 TYP. FOOTING DETAIL  
1" = 1'-0"



5 TYP. GRADE BEAM  
1" = 1'-0"



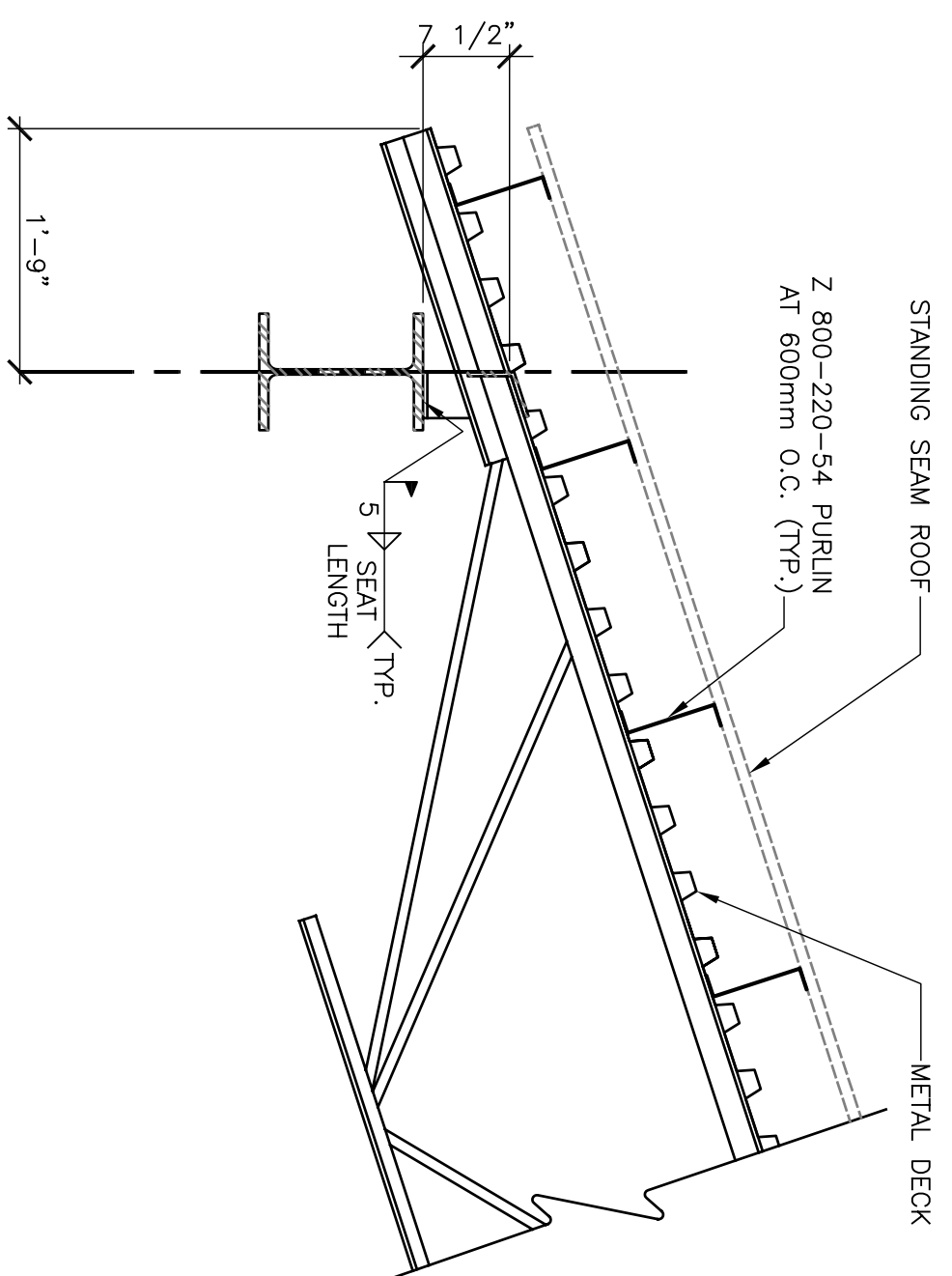
**CLEMENTS & ASSOCIATES ARCHITECTURE, INC.**  
507 MAIN STREET  
NORTH LITTLE ROCK, ARKANSAS 72114  
PHONE: 501.585.5530 FAX: 501.585.5631  
WWW.CLEMENTSARCHITECTS.COM

No.	Revision/Issue	Date	BY	APP'D

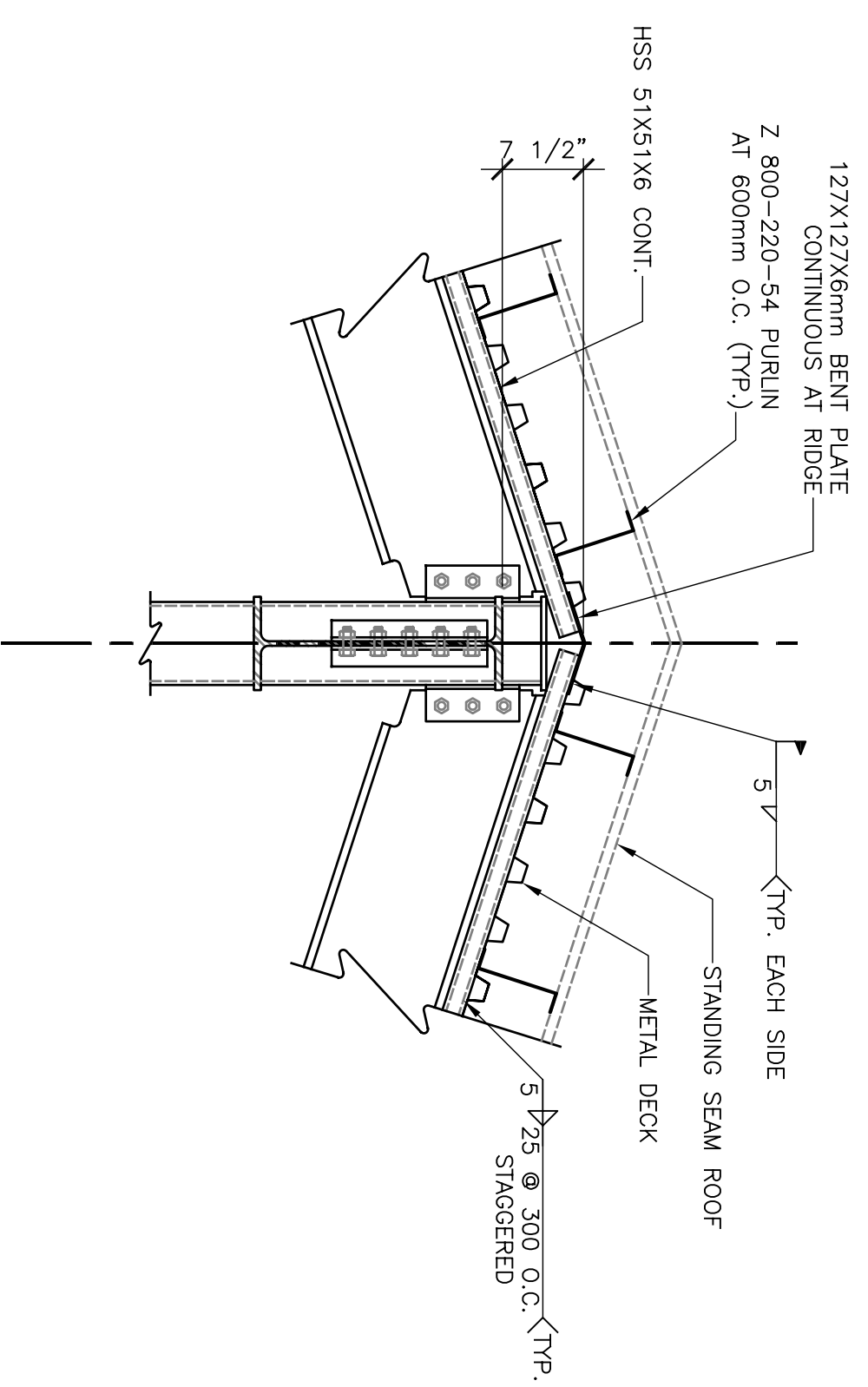
PROJECT TITLE  
**LITTLE ROCK AIR FORCE BASE, BUILDING 1222**  
C-130J MAINTENANCE TRAINING FACILITY ADDITION  
NRAK 08-1038  
BRAC CONSTRUCT  
MFC1CST BAY

SHEET TITLE  
**PRICING PACKAGE**

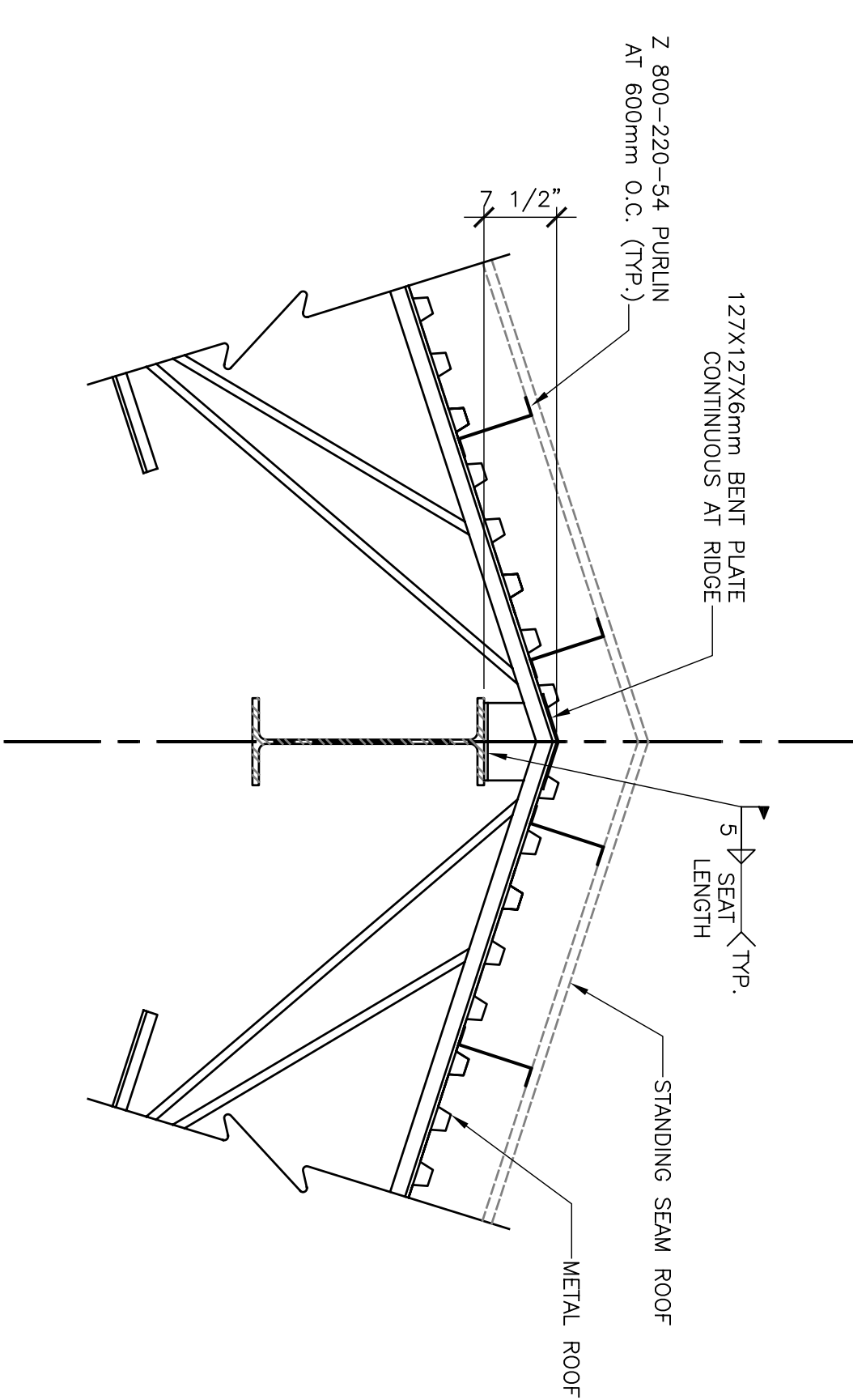
DRAWN BY	LEAD DESIGNER
TECH REVIEWER	FILE LOCATION
DESIGNED BY	PROJECT NUMBER
DATE	SHEET
SCALE	AS NOTED
<b>A401</b>	
- OF -	



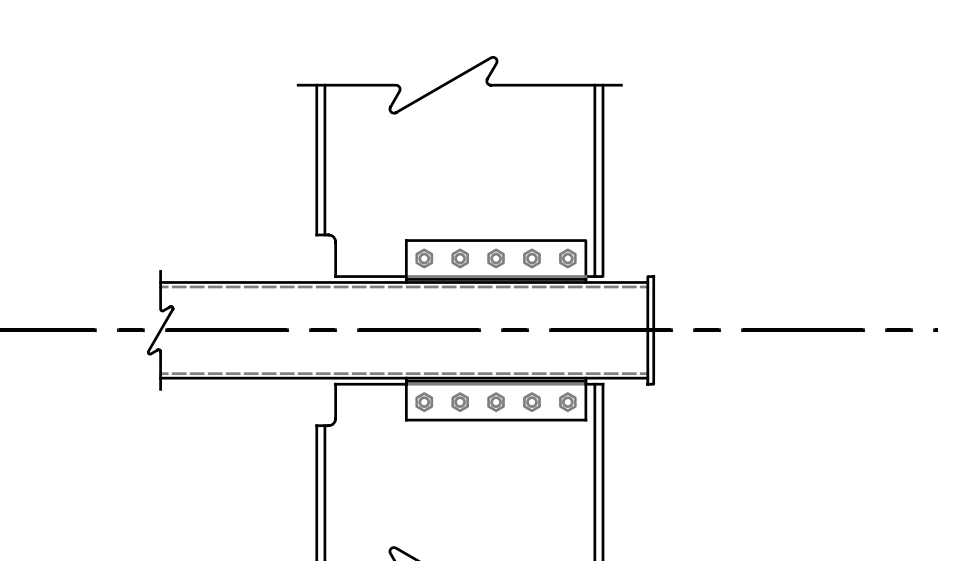
1 TYPICAL PERIMETER SECTION  
A402 | A402 3/4" = 1'-0"



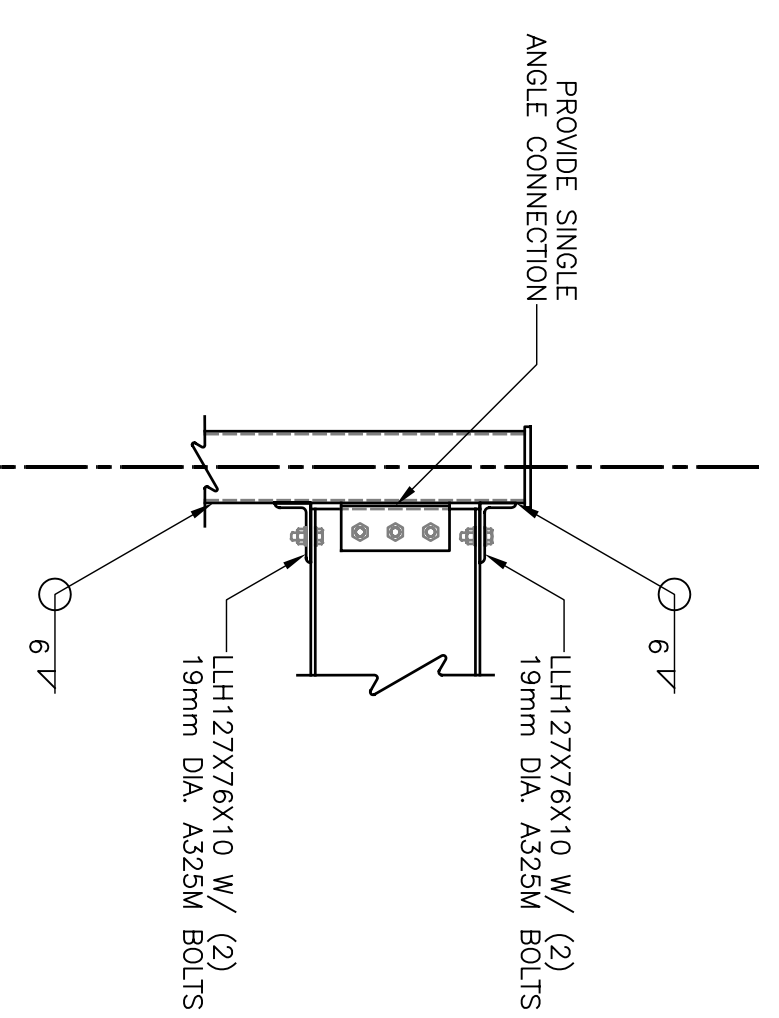
3 TYPICAL RIDGE SECTION @ COLUMN  
A402 | A402 3/4" = 1'-0"



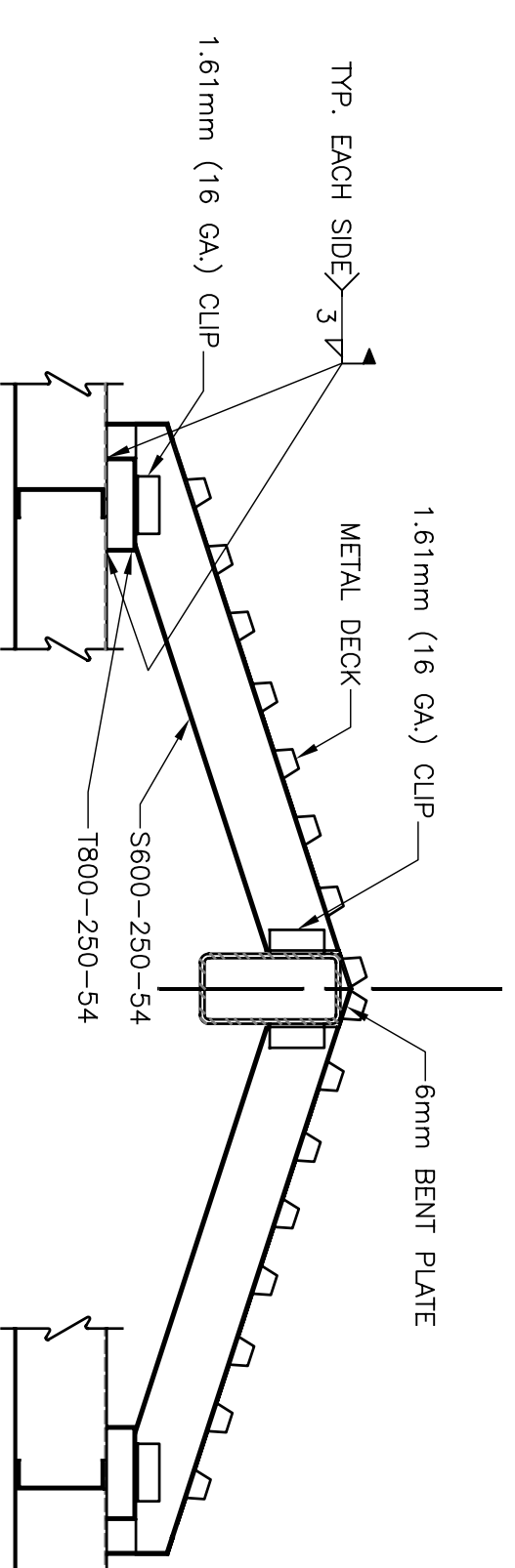
2 TYPICAL RIDGE SECTION  
A402 | A402 3/4" = 1'-0"



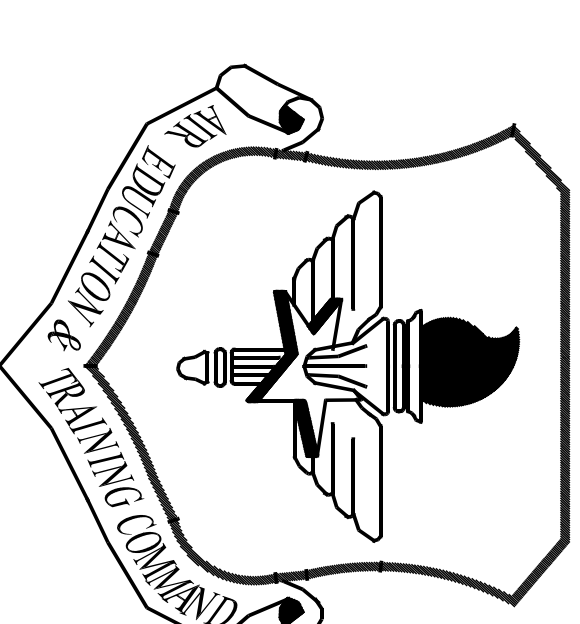
4 TYPICAL SECTION @ COLUMN  
A402 | A402 3/4" = 1'-0"



5 TYPICAL MOMENT CONNECTION  
A402 | A402 3/4" = 1'-0"



6 RIDGE SECTION  
A402 | A402 3/4" = 1'-0"



**CLEMENTS & ASSOCIATES ARCHITECTURE, INC.**  
507 MAIN STREET  
NORTH LITTLE ROCK, ARKANSAS 72114  
PHONE: 501.585.5530 FAX: 501.585.5631  
WWW.CLEMENTSARCHITECTS.COM

No.	Revision/Issue	Date	BY	APP'D

PROJECT TITLE  
**LITTLE ROCK AIR FORCE BASE BUILDING 1222**  
C-130U MAINTENANCE TRAINING FACILITY ADDITION  
NKA&O&I-1089  
BRAC CONSTRUCT  
MTF ICST BAY

SHEET TITLE  
**PRICING PACKAGE**

DRAWN BY	LEAD DESIGNER
TECH REVIEWER	FILE LOCATION
DESIGNED BY	PROJECT NUMBER
DATE 6 September 2006	SHEET <b>A402</b>
SCALE AS NOTED	OF

