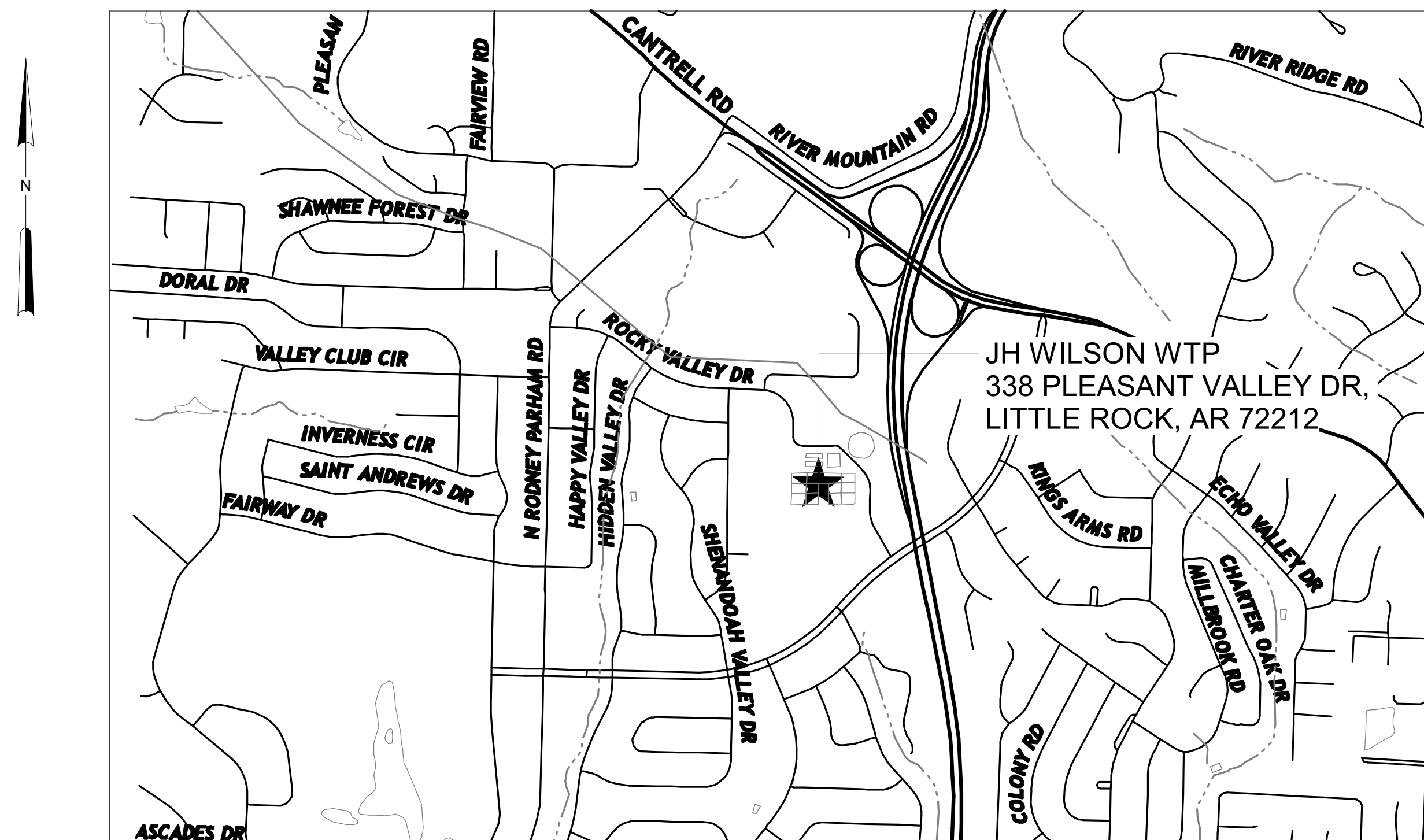


CENTRAL ARKANSAS WATER LITTLE ROCK, ARKANSAS



JACK H. WILSON WTP RENEWAL AND RESILIENCY PROJECT VOLUME 3 of 3 - HVAC - PLUMBING - ELECTRICAL - INSTRUMENTATION

HAZEN PROJECT NO. 60711-003
GMP SUBMITTAL - NOVEMBER 2024



LOCATION PLAN
NOT TO SCALE

Hazen

IN PARTNERSHIP WITH

HW HAWKINS WEIR
ENGINEERS, INC.
Engineering Client Success

HAZEN AND SAWYER
8150 N. CENTRAL EXPRESSWAY
TOWER II - SUITE 700
DALLAS, TEXAS 75206



AREA 00 - GENERAL

-- VOLUME 3 - COVER SHEET
G0003 VOLUME 3 - INDEX OF DRAWINGS

HVAC

GENERAL

H001 LEGEND, NOTES, AND ABBREVIATIONS
H002 SCHEDULES SHEET 1
H003 SCHEDULES SHEET 2
H004 SCHEDULES SHEET 3
H005 AIRFLOW DIAGRAMS SHEET 1
H006 AIRFLOW DIAGRAMS SHEET 2
H007 AIRFLOW DIAGRAMS SHEET 3

AREA 30 - FILTER BUILDING

H3000 3D ISOMETRIC
H3001 DEMOLITION -GROUND & SECOND FLOOR PARTIAL PLANS
H3002 DEMOLITION -SECOND FLOOR PARTIAL PLAN -WEST GALLERY
H3003 DEMOLITION -SECOND FLOOR PARTIAL PLAN -FEEDER ROOM
H3004 DEMOLITION -THIRD FLOOR PLAN
H3005 GROUND FLOOR & SECOND FLOOR PARTIAL PLANS
H3006 SECOND FLOOR -PARTIAL PLAN WEST GALLERY
H3007 SECOND FLOOR -PARTIAL PLAN FEEDER ROOM
H3008 THIRD FLOOR & ROOF PLAN

AREA 32 - AIR SCOUR BLOWER BUILDING

H3200 PLANS AND SECTIONS

AREA 61 - BULK CHEMICAL BUILDING

H6100 FLOOR PLAN
H6101 SECTIONS

AREA 70 - ELECTRICAL BUILDING No. 1

H7000 PLAN AND SECTIONS

AREA 71 - ELECTRICAL BUILDING No. 2

H7100 PLAN
H7101 SECTIONS

AREA 80 - ADMINISTRATION BUILDING

H8001 ISOMETRIC VIEWS
H8002 BOTTOM PLAN DEMOLITION
H8003 INTERMEDIATE PLAN DEMOLITION
H8004 ROOF PLAN DEMOLITION & ISOMETRIC
H8005 BOTTOM PLAN
H8006 INTERMEDIATE PLAN
H8007 ROOF PLAN & ISOMETRIC

STANDARD DETAILS

HD1 SHEET 1
HD2 SHEET 2
HD3 SHEET 3

PLUMBING

GENERAL

P0001 NOTES, SYMBOLS & ABBREVIATIONS
P0002 SCHEDULES SHEET 1
P0003 SCHEDULES SHEET 2

AREA 30 - FILTER BUILDING

P3000 BUILDING RISER -DEMOLITION -DWV
P3001 BUILDING RISER -DEMOLITION -WATER
P3002 BUILDING RISER -DEMOLITION -GAS
P3003 ENLARGED BOTTOM PLAN -CHLORINE STORAGE/CROSS GALLERY DEMOLITION
P3004 ENLARGED TOP PLAN -SECOND FLOOR DEMOLITION
P3005 ENLARGED TOP PLAN -THIRD FLOOR DEMOLITION
P3006 DEMOLITION SECTIONS
P3007 BUILDING RISER -DWV
P3008 BUILDING RISER -WATER
P3009 BUILDING RISER -GAS
P3010 ENLARGED BOTTOM PLAN -CROSS GALLERY -WASTE AND VENT
P3011 ENLARGED BOTTOM PLAN -CROSS GALLERY -SUPPLY
P3012 ENLARGED TOP PLAN -SECOND FLOOR -WASTE AND VENT
P3013 ENLARGED TOP PLAN -SECOND FLOOR -SUPPLY
P3014 ENLARGED TOP PLAN -THIRD FLOOR
P3015 SECTIONS

PLUMBING CONT.

AREA 61 - BULK CHEMICAL BUILDING

P6100 OVERALL PLAN
P6101 SECTIONS
P6102 PIPE RISER

AREA 62 - FLUORIDE CONTAINMENT

P6200 PLAN -DEMOLITION
P6201 PIPE RISER
P6202 PLAN
P6203 SECTIONS

AREA 80 - ADMINISTRATION BUILDING

P8000 DEMOLITION RISER -DWV
P8001 DEMOLITION RISER -WATER
P8002 DEMOLITION RISER -GAS
P8003 BELOW FLOOR PLAN -DEMOLITION -WASTE AND VENT
P8004 FIRST FLOOR PLAN -DEMOLITION -WASTE AND VENT
P8005 FIRST FLOOR PLAN -DEMOLITION -SUPPLY
P8006 SECOND FLOOR PLAN -DEMOLITION -WASTE AND VENT
P8007 SECOND FLOOR PLAN -DEMOLITION -SUPPLY
P8008 ROOF PLAN -DEMOLITION
P8009 DEMOLITION SECTIONS
P8010 BUILDING RISER -DWV
P8011 BUILDING RISER -WATER
P8012 BUILDING RISER -GAS
P8013 BELOW FLOOR PLAN -WASTE AND VENT
P8014 FIRST FLOOR PLAN -WASTE AND VENT
P8015 FIRST FLOOR PLAN -SUPPLY
P8016 SECOND FLOOR PLAN -WASTE AND VENT
P8017 SECOND FLOOR PLAN -SUPPLY
P8018 ROOF PLAN
P8019 SECTIONS

STANDARD DETAILS

PD1 SHEET 1
PD2 SHEET 2

ELECTRICAL

GENERAL

E0001 LEGEND AND SYMBOLS
E0002 ABBREVIATIONS AND GENERAL NOTES

SITE

E1000 DEMOLITION SITE PLAN
E1001 ENLARGED DEMO PLAN - AREA 1
E1002 ENLARGED DEMO PLAN - AREA 2
E1003 ENLARGED DEMO PLAN - AREA 3
E1004 ENLARGED DEMO PLAN - AREA 4
E1005 ENLARGED DEMO PLAN - AREA 5
E1006 ENLARGED DEMO PLAN - AREA 6
E1007 ENLARGED DEMO PLAN - AREA 7
E1008 ENLARGED DEMO PLAN - AREA 8
E1009 PROPOSED SITE PLAN
E1010 ENLARGED PLAN - AREA 1
E1011 ENLARGED PLAN - AREA 2
E1012 ENLARGED PLAN - AREA 3
E1013 ENLARGED PLAN - AREA 4
E1014 ENLARGED PLAN - AREA 5
E1015 ENLARGED PLAN - AREA 6
E1016 ENLARGED PLAN - AREA 7
E1017 ENLARGED PLAN - AREA 8
E1018 OVERALL SINGLE LINE DIGRAM DEMOLITION
E1019 OVERALL SINGLE-LINE DIAGRAM PROPOSED
E1020 DUCTBANK SCHEDULES

AREA 15 - RAW WATER METER VAULT

E1500 PLANS

AREA 21 - FLOCCULATION AND SEDIMENTATION BASIN 1

E2100 OVERALL TOP PLAN -DEMOLITION
E2101 OVERALL TOP POWER PLAN
E2102 TOP PLAN -DEMOLITION
E2103 TOP PLAN

AREA 21 - FLOCCULATION AND SEDIMENTATION BASIN 2

E2200 TOP PLAN -DEMOLITION
E2201 TOP PLAN

ELECTRICAL CONT.

AREA 21 - FLOCCULATION AND SEDIMENTATION BASIN 3

E2300 TOP PLAN -DEMOLITION
E2301 TOP PLAN

AREA 21 - FLOCCULATION AND SEDIMENTATION BASIN 4

E2400 TOP PLAN -DEMOLITION
E2401 TOP PLAN

AREA 25 - SLUDGE VALVE VAULT 1 THRU 8

E2500 PLANS

AREA 30 - FILTER BUILDING

E3000 ENLARGED BOTTOM PLAN -CROSS GALLERY DEMOLITION
E3001 ENLARGED BOTTOM PLANS -GALLERY DEMOLITION
E3002 ENLARGED INTERMEDIATE PLANS -GALLERY DEMOLITION
E3003 ENLARGED INTERMEDIATE PLAN -CROSS GALLERY DEMOLITION
E3004 ENLARGED TOP PLAN -SECOND FLOOR DEMOLITION
E3005 ENLARGED TOP PLAN -SECOND FLOOR -WEST AND EAST DEMOLITION
E3006 ENLARGED TOP PLAN -THIRD FLOOR DEMOLITION
E3007 OVERALL BOTTOM PLAN
E3008 OVERALL INTERMEDIATE PLAN
E3009 OVERALL TOP PLAN -SECOND FLOOR
E3010 ENLARGED BOTTOM PLAN -CROSS GALLERY
E3011 ENLARGED BOTTOM PLAN -WEST FILTERS AND GALLERY
E3012 ENLARGED BOTTOM PLAN -EAST FILTERS AND GALLERY
E3013 ENLARGED INTERMEDIATE POWER PLAN -CROSS GALLERY
E3014 ENLARGED TOP PLAN -SECOND FLOOR
E3015 ENLARGED TOP PLAN -SECOND FLOOR -DAY LAB
E3016 ENLARGED TOP PLAN -SECOND FLOOR WEST
E3017 ENLARGED TOP PLAN -SECOND FLOOR EAST
E3018 ENLARGED INTERMEDIATE SYSTEM AND LIGHTING PLAN -CROSS GALLERY
E3019 ENLARGED TOP LIGHTING PLAN -SECOND FLOOR
E3020 ENLARGED TOP LIGHTING PLAN -SECOND FLOOR WEST
E3021 ENLARGED TOP LIGHTING PLAN -SECOND FLOOR EAST
E3022 ENLARGED TOP SYSTEM PLAN -SECOND FLOOR
E3023 DC2B DEMOLITION SINGLE-LINE DIAGRAM AND ELEVATION
E3024 DC3B DEMOLITION SINGLE-LINE DIAGRAM AND ELEVATION
E3025 DEMOLITION PANEL SCHEDULES I
E3026 DEMOLITION PANEL SCHEDULES II
E3027 DEMOLITION PANEL SCHEDULES III
E3028 DC2B SINGLE-LINE DIAGRAM AND ELEVATION
E3029 DC3B SINGLE-LINE DIAGRAM AND ELEVATION
E3030 PANEL SCHEDULES AND RISER DIAGRAMS I
E3031 PANEL SCHEDULES AND RISER DIAGRAMS II
E3032 PANEL SCHEDULES AND RISER DIAGRAMS III
E3033 PANEL SCHEDULES AND RISER DIAGRAMS IV
E3034 PANEL SCHEDULES AND RISER DIAGRAMS V
E3035 PANEL SCHEDULES AND RISER DIAGRAMS VI
E3036 PANEL SCHEDULES AND RISER DIAGRAMS VII
E3037 PANEL SCHEDULES AND RISER DIAGRAMS VIII
E3038 CONTROL BLOCK DIAGRAM I
E3039 CONTROL BLOCK DIAGRAM II
E3040 CONTROL BLOCK DIAGRAM III
E3041 CONTROL BLOCK DIAGRAM IV
E3042 ELEMENTARY CONTROL SCHEMATICS
E3043 CONDUIT AND WIRE SCHEDULE I
E3044 CONDUIT AND WIRE SCHEDULE II
E3045 CONDUIT AND WIRE SCHEDULE III
E3046 CONDUIT AND WIRE SCHEDULE IV
E3047 CONDUIT AND WIRE SCHEDULE V

AREA 32 - AIR SCOUR BLOWER BUILDING

E3200 DEMOLITION PLAN
E3201 POWER PLAN
E3202 MCC AIR BLOWER BUILDING SINGLE-LINE DIAGRAM AND ELEVATION
E3203 PANEL SCHEDULES
E3204 ELEMENTARY CONTROL SCHEMATICS
E3205 CONTROL BLOCK DIAGRAM AND CONDUIT AND WIRE SCHEDULES

AREA 33 - WASTE PIT

E3300 TOP DEMOLITION PLAN
E3301 TOP POWER PLAN

AREA 34 - SLUDGE PUMP STATION

E3400 SLUDGE PUMP STATION ELECTRICAL PLANS

AREA 40 - BACKWASH TREATMENT TANK

E4000 BOTTOM PLAN
E4001 TOP PLAN
E4002 PANEL SCHEDULES AND RISER DIAGRAM
E4003 CONTROL BLOCK DIAGRAMS AND CONDUIT AND WIRE SCHEDULES

ELECTRICAL CONT.

AREA 50 - CLEARWELLS

E5000 SAMPLE PUMP PLAN AND RISER DIAGRAMS

AREA 60 - SODIUM HYPOCHLORITE CHEMICAL BUILDING

E6000 OVERALL PLAN -DEMOLITION
E6001 ENLARGED CONTAINMENT AREA NORTH -DEMOLITION
E6002 ENLARGED CONTAINMENT AREA SOUTH-DEMOLITION
E6003 OVERALL PLAN -POWER PLAN
E6004 ENLARGED CONTAINMENT AREA NORTH-POWER PLAN
E6005 ENLARGED CONTAINMENT AREA SOUTH -POWER PLAN
E6006 DEMOLITION PANEL SCHEDULES
E6007 DEMOLITION PANEL SCHEDULES
E6008 PANEL SCHEDULES
E6009 PANEL SCHEDULES
E6010 CONTROL BLOCK DIAGRAM
E6011 ELEMENTARY CONTROL SCHEMATICS
E6012 CONDUIT AND WIRE SCHEDULE

AREA 61 - BULK CHEMICAL BUILDING

E6100 OVERALL GROUNDING PLAN
E6101 ENLARGED POWER PLAN -LIME SLURRY
E6102 ENLARGED POWER PLAN -ALUMINUM SULFATE
E6103 ENLARGED LIGHTING PLAN -LIME SLURRY
E6104 ENLARGED LIGHTING PLAN -ALUMINUM SULFATE
E6105 MCC-BCB SINGLE-LINE DIAGRAM AND ELEVATION
E6106 PANEL SCHEDULES I
E6107 RISER DIAGRAMS
E6108 CONTROL BLOCK DIAGRAM
E6109 ELEMENTARY CONTROL SCHEMATICS I
E6110 ELEMENTARY CONTROL SCHEMATICS II
E6111 CONDUIT AND WIRE SCHEDULES
E6112 CONDUIT AND WIRE SCHEDULES

AREA 62 - FLUORIDE CONTAINMENT

E6200 DEMOLITION PLAN
E6201 POWER PLAN

AREA 70 - ELECTRICAL BUILDING No. 1

E7000 DEMOLITION PLAN
E7001 ROOF DEMOLITION PLAN
E7002 POWER PLAN
E7003 ROOF PLAN
E7004 DC2 SINGLE-LINE DIAGRAM AND ELEVATION DEMOLITION
E7005 MCC-FLOC-1 & MCC-FLOC-2 SINGLE-LINE DIAGRAM AND ELEVATION DEMO
E7006 DC3 SINGLE-LINE DIAGRAM AND ELEVATION DEMOLITION
E7007 DEMOLITION PANEL SCHEDULES
E7008 DEMOLITION PANEL SCHEDULES
E7009 MCC-EB1-1 SINGLE-LINE DIAGRAM AND ELEVATION
E7010 MCC-FLOC-1 SINGLE-LINE DIAGRAM AND ELEVATION
E7011 MCC-FLOC-2 SINGLE-LINE DIAGRAM AND ELEVATION
E7012 MCC-EB1-2 SINGLE-LINE DIAGRAM AND ELEVATION
E7013 EXISTING PANEL SCHEDULES
E7014 RISER DIAGRAMS
E7015 CONTROL BLOCK DIAGRAM
E7016 ELEMENTARY CONTROL SCHEMATICS
E7017 E7017 - ELEMENTARY CONTROL SCHEMATICS
E7018 CONDUIT AND WIRE SCHEDULE
E7019 CONDUIT AND WIRE SCHEDULE

AREA 71 - ELECTRICAL BUILDING No. 2

E7100 POWER AND GROUNDING PLAN
E7101 LIGHTING PLAN
E7102 CABLE TRAY PLAN
E7103 MCC-FLOC-3 SINGLE-LINE DIAGRAM AND ELEVATION
E7104 MCC-FLOC-4 SINGLE LINE DIAGRAM AND ELEVATION
E7105 PANEL SCHEDULES
E7106 CONTROL BLOCK DIAGRAM
E7107 ELEMENTARY CONTROL SCHEMATICS
E7108 CONDUIT AND WIRE SCHEDULE
E7109 CONDUIT AND WIRE SCHEDULE

AREA 80 - ADMINISTRATION BUILDING

E8000 FIRST FLOOR -DEMOLITION PLAN
E8001 SECOND FLOOR -DEMOLITION PLAN
E8002 ROOF -DEMOLITION PLAN
E8003 FIRST FLOOR -POWER PLAN
E8004 SECOND FLOOR -POWER PLAN
E8005 ROOF -POWER PLAN
E8006 FIRST FLOOR -LIGHTING PLAN
E8007 SECOND FLOOR -LIGHTING PLAN
E8008 MDP SINGLE LINE DIAGRAM

GMP SUBMITTAL. DO NOT USE FOR CONSTRUCTION.

Autodesk_Docs\60711-001_Wilson_WTP_Rehab_File_Baer60711-001_GEN_COVER_INDEX_ABBR_PFD.rvt 11/18/2024 9:54:02 AM

Table with 4 columns: REV, ISSUED FOR, DATE, BY. Includes project manager, designer, and engineer information.

Professional Engineer seal for Tyler Hudson, State of Arkansas, License No. 21489.

Hazen and Sawyer logo and address: 8150 N. CENTRAL EXPRESSWAY TOWER II - SUITE 700 DALLAS, TEXAS 75206

CENTRAL ARKANSAS WATER LITTLE ROCK, ARKANSAS. JACK H. WILSON WTP RENEWAL AND RESILIENCY PROJECT

GENERAL VOLUME 3 - INDEX OF DRAWINGS

Table with 2 columns: Field Name, Value. Includes DATE: NOVEMBER 2024, HAZEN NO.: 60711-003, CONTRACT NO.: 1, DRAWING NUMBER: G0003.

ELECTRICAL CONT.

AREA 80 - ADMINISTRATION BUILDING CONT.

- E8009 DEMOLITION PANEL SCHEDULES
- E8010 PROPOSED PANEL SCHEDULES
- E8011 PANEL SCHEDULES
- E8012 ELEMENTARY CONTROL SCHEMATICS
- E8013 CONDUIT AND WIRE SCHEDULE

STANDARD DETAILS

- ED0001 STANDARD DETAILS
- ED0002 STANDARD DETAILS
- ED0003 STANDARD DETAILS
- ED0004 STANDARD DETAILS
- ED0005 STANDARD DETAILS

INSTRUMENTATION

GENERAL

- I1001 SYMBOLS AND LEGENDS SHEET 1
- I1002 SYMBOLS AND LEGENDS SHEET 2
- I1003 EXISTING SCADA SYSTEM PARTIAL NETWORK BLOCK DIAGRAM
- I1004 PLANT FIBER OPTIC RING BLOCK DIAGRAM
- I1005 CONTROL SYSTEM BLOCK DIAGRAM SHEET 1
- I1006 CONTROL SYSTEM BLOCK DIAGRAM SHEET 2
- I1007 CONTROL SYSTEM BLOCK DIAGRAM SHEET 3
- I1008 CONTROL SYSTEM BLOCK DIAGRAM SHEET 4
- I1009 CONTROL SYSTEM BLOCK DIAGRAM SHEET 5
- I1010 CONTROL SYSTEM BLOCK DIAGRAM SHEET 6
- I1011 CONTROL SYSTEM BLOCK DIAGRAM SHEET 7
- I1010 CONTROL SYSTEM BLOCK DIAGRAM SHEET 6
- I1011 CONTROL SYSTEM BLOCK DIAGRAM SHEET 7
- I1012 CONTROL SYSTEM BLOCK DIAGRAM SHEET 8

AREA 15 - RAW WATER METER VAULT

- I1500 RAW WATER P&ID

AREA 21 - FLOCCULATION AND SEDIMENTATION BASINS

- I2000 RAPID MIX BASINS P&ID
- I2100 FLOCCULATION AND SEDIMENTATION BASIN NO. 1 P&ID
- I2200 FLOCCULATION AND SEDIMENTATION BASIN NO. 2 P&ID
- I2300 FLOCCULATION AND SEDIMENTATION BASIN NO. 3 P&ID
- I2400 FLOCCULATION AND SEDIMENTATION BASIN NO. 4 P&ID

AREA 30 - FILTER BUILDING

- I3000A FILTERS NO.1 THRU 8 OVERALL P&ID
- I3000B FILTERS NO.9 THRU 16 OVERALL P&ID
- I3001 TYPICAL FILTER P&ID
- I3002 NOT USED
- I3003 WASHWATER SUPPLY AND BACKWASH P&ID
- I3004 FILTER BUILDING ANALYZER ROOM P&ID SHEET 1
- I3005 FILTER BUILDING ANALYZER ROOM P&ID SHEET 2
- I3006 FINISHED CHAMBER P&ID

AREA 32 - AIR SCOUR BLOWER BUILDING

- I3200 AIR SCOUR BLOWERS P&ID

AREA 33 - WASTE PIT

- I3300 WASTE PIT PUMPS P&ID

AREA 34 - SLUDGE PUMP STATION

- I3400 SLUDGE PUMP STATION P&ID

AREA 40 - BACKWASH TREATMENT TANK

- I4000 BACKWASH TREATMENT TANK P&ID

AREA 60 - SODIUM HYPOCHLORITE CHEMICAL BUILDING

- I6000 SODIUM HYPO STORAGE TANKS P&ID SHEET 1
- I6001 SODIUM HYPO STORAGE TANKS P&ID SHEET 2
- I6002 SODIUM HYPO METERING PUMPS P&ID SHEET 1
- I6003 SODIUM HYPO METERING PUMPS P&ID SHEET 2

INSTRUMENTATION CONT.

AREA 61 - BULK CHEMICAL BUILDING

- I6100 ALUM STORAGE TANKS P&ID
- I6101 ALUM METERING PUMPS P&ID
- I6102 LIQUID LIME SYSTEM FILL STATION P&ID
- I6103 LIQUID LIME FEED TANK NO. 1 AND METERING PUMPS P&ID
- I6104 LIQUID LIME FEED TANK NO. 2 AND METERING PUMPS P&ID
- I6105 LIQUID LIME FEED TANK NO. 3 AND METERING PUMPS P&ID
- I6106 ZOP STORAGE P&ID
- I6107 ZOP METERING PUMPS AND DAY TANK P&ID

AREA 62 - FLUORIDE CONTAINMENT

- I6200 FLUORIDE STORAGE TANKS P&ID
- I6201 FLUORIDE METERING PUMPS AND DAY TANK P&ID

STANDARD DETAILS

- ID0001 STANDARD DETAILS
- ID0002 STANDARD DETAILS
- ID0003 STANDARD DETAILS
- ID0004 STANDARD DETAILS

GMP SUBMITTAL. DO NOT USE FOR CONSTRUCTION.

Autodesk_Docs\60711-001_Wilson_WTP_Rehab_Plan_Basins\11-000_GEN_COVER_INDEX_ABBR_PFD.rvt 11/18/2024 9:54:02 AM

PROJECT MANAGER:	T. HUDSON		
DESIGNED BY:	T. HUDSON		
DRAWN BY:	J. LUTHMAN II		
PROJECT ENGINEER:	T. HUDSON		
IF THIS BAR DOES NOT MEASURE 1" THEN DRAWING IS NOT TO FULL SCALE	0 1/2" 1"		
REV	ISSUED FOR	DATE	BY



CENTRAL ARKANSAS WATER
LITTLE ROCK, ARKANSAS

JACK H. WILSON WTP RENEWAL
AND RESILIENCY PROJECT

GENERAL
VOLUME 3 - INDEX OF DRAWINGS

DATE:	NOVEMBER 2024
HAZEN NO.:	60711-003
CONTRACT NO.:	1
DRAWING NUMBER:	G0003A

SYMBOLS

T	THERMOSTAT/TEMPERATURE SWITCH		⊖	SIGNALING DATA DEVICE
FS	FLOW SENSOR			
MD	MOTORIZED DAMPER		⊗	SUPPLY AIR DUCT SECTION-UP
GD	GRAVITY DAMPER		⊗	RETURN AIR DUCT
	MANUAL VOLUME DAMPER		⊗	EXHAUST AIR DUCT
	INFILTRATION/EXFILTRATION			
	ROOF AIR INTAKE/RELIEF			
	AIRFLOW			
	DUCT MOUNTED SENSOR			
	ROOM/SPACE SENSOR			
	ROOF EXHAUST FAN			
XX-BLDG-QTY				
	INLINE FAN			
XX-BLDG-QTY				
	WALL FAN			
XX-BLDG-QTY				
	AIR HANDLING UNIT			
	DAMPER			
	LOUVER			
	FILTER			
	UNIT HEATER			
			AHU-XXX-1	QUANTITY DESIGNATION BUILDING NUMBER (IF MULTIPLE) EQUIPMENT DESIGNATION
			SR-1	SUPPLY AIR REGISTER
			SR-1	SUPPLY AIR REGISTER (TYPE #)
			RR-1	RETURN AIR REGISTER (TYPE #)
			ER-1	EXHAUST AIR REGISTER (TYPE #)
			20X10 SR-1	20X10 NECK SIZE, SUPPLY REGISTER (TYPE #)
			1000 CFM	1000 CUBIC FEET PER MINUTE AIRFLOW RATE
			BOD XX'-XX'	DISTANCE FROM FINISHED FLOOR
				CEILING DIFFUSER (SYSTEM TYPE)
			CDA	LOUVERED FACE SIZE
			24X24	
			300 CFM	CUBIC FEET PER MINUTE AIRFLOW RATE SETTING (MAX)

ABBREVIATIONS

AI	ANALOG INPUT	NTS	NOT TO SCALE
AC	AIR CONDITIONING, AIR CONDITIONING UNIT	OA	OUTSIDE AIR
ACCU	AIR COOLED CONDENSING UNIT	OAI	OUTSIDE AIR INTAKE
ACC	AIR COOLED CONDENSER	ORP	OXYGEN REDUCTION POTENTIAL
AD	ACCESS DOOR	P	PUMP
AFF	ABOVE FINISHED FLOOR	PC	PLUMBING CONTRACTOR
AFUE	ANNUAL FUEL UTILIZATION EFFICIENCY	PD	PRESSURE DROP
AHU	AIR HANDLING UNIT	PF	PROPELLER FAN
AO	ANALOG OUTPUT	PH, ∅	PHASE
APD	AIR PRESSURE DROP	PPU	POSITIVE PRESSURIZATION UNIT
ATC	AUTOMATIC TEMPERATURE CONTROL	PROP	PROPELLER
ATU	AIR TERMINAL UNIT	PRV	PRESSURE REGULATING VALVE
B	BOILER	PTAC	PACKAGED TERMINAL AIR CONDITIONING UNIT
BD	GRAVITY BACKDRAFT DAMPER	PS	PRESSURE SENSOR
BFP	BACKFLOW PREVENTER	PW	POTABLE WATER
BHP	BRAKE HORSEPOWER	RA	RETURN AIR
BOD	BOTTOM OF DUCT	RH	RELATIVE HUMIDITY
BOR	BOTTOM OF REGISTER	RL	REFRIGERANT LIQUID
BOT	BOTTOM	RLA	RATED LINE AMPS
CB	CIRCUIT BREAKER	RS	REFRIGERANT SUCTION
CFM	CUBIC FEET OF STANDARD AIR PER MINUTE	RPM	REVOLUTIONS PER MINUTE
CH	CABINET UNIT HEATER	SA	SUPPLY AIR
CLG	CEILING	SD	SMOKE DETECTOR
CONN	CONNECTION	SF	SUPPLY AIR FAN
CWS	CHILLED WATER SUPPLY	SG	SUPPLY GRILLE
CWR	CHILLED WATER RETURN	SHR	SENSIBLE HEAT RATIO
DI	DIGITAL INPUT	SP	STATIC PRESSURE
DB	DRY BULB	SPEC	SPECIFICATION
DDC	DIRECT DIGITAL CONTROL	SS	STAINLESS STEEL
DX	DIRECT EXPANSION REFRIGERANT	SV	SOLENOID VALVE
DIA, ∅	DIAMETER	TEMP	TEMPERATURE
DM	DAMPER MOTOR	TF	TRANSFER FAN
DN	DOWN	TH	TOTAL HEAT
DO	DIGITAL OUTPUT	TOD	TOP OF DUCT
EA	EXHAUST AIR	TOU	TOP OF UNIT
EC	ELECTRICAL CONTRACTOR	TOR	TOP OF REGISTER
EAT	ENTERING AIR TEMPERATURE	TSP	TOTAL STATIC PRESSURE
EDH	ELECTRIC DUCT HEATER	TS	TEMPERATURE SENSOR
EG	EXHAUST GRILLE	TYP	TYPICAL
EUH	ELECTRIC UNIT HEATER	UH	UNIT HEATER
EF	EXHAUST FAN	V	VOLTS
EL/ELEV	ELEVATION	VAV	VARIABLE AIR VOLUME
ES	ENTHALPY SENSOR	VD	VOLUME DAMPER
ESP	EXTERNAL STATIC PRESSURE	VEL	VELOCITY
ET	EXPANSION TANK	VH	HEATING CONTROL VALVE
EWT	ENTERING WATER TEMPERATURE	VC	COOLING CONTROL VALVE
FA	FREE AREA	VFD	VARIABLE FREQUENCY DRIVE
FC	FORWARD CURVED OR FAN COIL	VVT	VARIABLE VOLUME AND VARIABLE TEMPERATURE
FD	FIRE DAMPER WITH ACCESS DOOR	WPD	WATER PRESSURE DROP
FLA	FULL LOAD AMPS	W	WITH
FOR	FUEL OIL RETURN	WB	WET BULB
FOS	FUEL OIL SUPPLY	WC	WATER COLUMN
FOV	FUEL OIL VENT		
FPM	FEET PER MINUTE		
FTR	FINNED TUBE RADIATION		
GC	GENERAL CONTRACTOR		
GD	GRAVITY DAMPER		
GPM	GALLONS PER MINUTE		
HG	HOT GAS		
HP	HORSEPOWER OR HEAT PUMP		
HV	HEATING AND VENTILATING UNIT		
HWS	HOT WATER SUPPLY		
HWR	HOT WATER RETURN		
IDEC	INDIRECT EVAPORATIVE COOLING		
IDH	INLINE DUCT HEATER		
IN. WG	INCHES OF WATER GAGE		
KW	KILOWATT (1,000 WATTS)		
L1	LOUVER (TYPE 1)		
LAT	LEAVING AIR TEMPERATURE		
LD1	LINEAR DIFFUSER (TYPE 1)		
LF	LINEAR FEET		
LR	LINEAR RETURN		
LWT	LEAVING WATER TEMPERATURE		
MAU	MAKEUP AIR UNIT		
MBH	1,000 BTU PER HOUR		
MC	MECHANICAL CONTRACTOR		
MCA	MINIMUM CIRCUIT AMPACITY		
MD	MOTORIZED DAMPER		
MTD	MOUNTED		
NC	NORMALLY CLOSED, NOISE CRITERIA		
NK	NECK		
NO	NORMALLY OPEN		

GENERAL NOTES

- THE SYMBOLS AND ABBREVIATIONS LIST ON THIS SHEET IS A COMPREHENSIVE STANDARD GUIDE INTENDED FOR GENERAL USE ON ALL PROJECTS. THEREFORE, NOT ALL THE SYMBOLS AND ABBREVIATIONS CONTAINED IN THIS LIST ARE NECESSARILY USED ON THIS PARTICULAR PROJECT AND SHOULD BE USED FOR CLARIFICATION ONLY.
- ALL DUCT DIMENSIONS ARE CLEAR DIMENSIONS TO INSIDE OF DUCT. DIMENSIONS TO DUCTS FROM FLOOR OR WALL SHALL BE TO THE OUTSIDE OF DUCT/INSULATION. WHERE INTERNAL INSULATION IS REQUIRED THE DUCT SIZE SHALL BE INCREASED TO GIVE CLEAR INSIDE DIMENSIONS AS NOTED ON THE DRAWINGS.
- EQUIPMENT SIZES AND LOCATIONS ARE APPROXIMATE. ACTUAL DIMENSIONS TO BE DETERMINED BY EQUIPMENT FURNISHED. COORDINATE HVAC WORK WITH THE WORK OF ALL OTHER TRADES.
- FINAL OPENING DIMENSIONS, CONCRETE PAD SIZES, AND LOCATIONS MUST BE COORDINATED DURING CONSTRUCTION WITH APPROVED EQUIPMENT.
- FINAL SIZES OF FLOOR OPENINGS, DUCT PLENUMS, TRANSITIONS AND PIPING CONNECTIONS TO ALL EQUIPMENT SHALL BE DETERMINED BY EQUIPMENT FURNISHED.
- THE DRAWINGS ARE SCHEMATIC IN NATURE AND SHOW INTENDED GENERAL LOCATION OF HVAC EQUIPMENT AND SYSTEMS. NOT ALL OFFSETS AND REQUIRED FITTINGS FOR ACTUAL FIELD INSTALLATION ARE INTENDED TO BE SHOWN FOR INSTALLATION OF SYSTEMS IN THE SPACE AVAILABLE IN CONSIDERATION OF WORK OF OTHER TRADES AND FIELD CONDITIONS. CONTRACTOR SHALL PROVIDE ADDITIONAL OFFSETS IN DUCTWORK AND PIPING AS REQUIRED TO AVOID SUCH INTERFERENCES OR FIELD CONDITIONS AT NO ADDITIONAL COST TO THE ORIGINAL CONTRACT AMOUNT.
- FIRST FIGURE OF DUCT SIZE INDICATES DIMENSION OF FACE SHOWN OR INDICATED OR WIDTH OF DUCT IN PLAN VIEW.
- COORDINATE THE REQUIREMENTS FOR HVAC OPENINGS AND SLEEVES IN BUILDING ELEMENTS WITH THE GC.
- CONTRACTOR SHALL REFER TO SPECIFICATION SECTION 099000 FOR PAINTING REQUIREMENTS UNLESS OTHERWISE NOTED.
- REFER TO ELECTRICAL DRAWINGS OR SPECIFICATIONS FOR INTERLOCKING WIRING REQUIREMENTS.
- CONTRACTOR SHALL COORDINATE DUCTWORK INSTALLATION WITH OTHER TRADES.
- PROVIDE ADEQUATE SUPPORT, PER THE MANUFACTURER'S RECOMMENDATIONS, FOR ALL HVAC EQUIPMENT.
- CONTRACTOR SHALL BE RESPONSIBLE FOR CHECKING ELECTRICAL RATINGS FROM CERTIFIED DRAWINGS OF EQUIPMENT AND SHALL MAKE ANY BRANCH CIRCUIT DISTRIBUTION MODIFICATION REQUIREMENTS WITHOUT ANY ADDITIONAL COST TO OWNER. THE CONTRACTOR SHALL SUBMIT A SCHEDULE OF SUCH CHANGES FOR APPROVAL BY ENGINEER.
- WHEREVER THE REQUIREMENTS AND REGULATIONS OF STATE, FEDERAL AND LOCAL AUTHORITIES HAVING JURISDICTION DIFFER FROM THE DRAWINGS OR SPECIFICATIONS, THEY SHALL TAKE PRECEDENCE AND SHALL BE MADE PART OF THE CONTRACT (EXCEPT WHERE THE DRAWINGS OR SPECIFICATIONS ARE MORE STRINGENT).
- THE CONTRACTOR SHALL PROVIDE AND INSTALL FIRE AND SMOKE RATED DAMPERS IN HVAC DUCTS WHICH PENETRATE FIRE RATED BUILDING ASSEMBLIES AS SHOWN ON ARCHITECTURAL DRAWINGS.
- DUCTWORK AND PLENUM TO LOUVERS SHALL BE CONNECTED TO FRAMED OPENINGS AND, SEALED AIRTIGHT AND WEATHER RESISTANT.
- THERMOSTATS, SENSORS, AND/OR CONTROL PANEL LOCATIONS SHOWN ARE APPROXIMATE AND SHALL BE COORDINATED TO SUIT FIELD CONDITIONS.
- INSTALL WALL MTD SENSORS, CONTROLS AND THERMOSTATS 5'-0" AFF UNLESS OTHERWISE NOTED. ALIGN WITH OTHER NEARBY ITEMS SUCH AS LIGHT SWITCHES. DO NOT INSTALL CLOSER THAN 6-INCHES FROM EDGE OF DOOR FRAME OR CORNER OF WALL AS SHOWN ON ARCH PLANS. WHERE CONFLICTS MAY OCCUR WITH ITEMS SUCH AS LIGHT SWITCHES, MOUNT THE SENSOR OR CONTROL DEVICE 4'-6" AFF CENTERED ABOVE THE LIGHT SWITCH.
- PROVIDE ADEQUATE MEANS OF ACCESS CLEARANCE FOR ALL HVAC/MECHANICAL EQUIPMENT AND SYSTEMS THAT REQUIRE ACCESS FOR PROPER OPERATION, MAINTENANCE AND REPAIR PER RECOMMENDED MANUFACTURER CLEARANCES. PROVIDE ACCESS DOORS WHERE NECESSARY IN FINISHED WALLS OR DRYWALL CEILINGS FOR ACCESS TO VALVES, DAMPERS, OR CONTROL DEVICES.
- COORDINATE THE REQUIREMENTS OF HVAC HANGERS AND SUPPORTS W/ OTHER PRIME CONTRACTORS PROVIDING STRUCTURAL AND/OR ARCHITECTURAL BUILDING ELEMENTS WHICH HVAC SUPPORTS SHALL INTERFACE.
- HVAC CONTRACTOR SHALL PROVIDE ALL FIRESTOPPING AND PIPE SLEEVES FOR ALL PIPE AND DUCT PENETRATIONS THRU FIRE RATED BUILDING ASSEMBLIES.
- CONTRACTOR SHALL OBTAIN AND PAY ALL FEES RELATED TO PERMITTING, AND INSPECTIONS.
- FOR ADDITIONAL REQUIREMENTS REFER TO SPECIFICATIONS.
- WORK SHALL BE EXECUTED IN FULL COMPLIANCE WITH THE APPLICABLE PROVISIONS OF ALL LAWS, BY-LAWS, STATUTES, ORDINANCES, CODES, RULES, REGULATIONS, AND LAWFUL ORDERS OF PUBLIC AUTHORITIES BEARING ON THE PERFORMANCE AND EXECUTION OF THE WORK.
- THE ENTIRE HVAC SYSTEM SHALL BE IN ACCORDANCE WITH THE FOLLOWING CODES:
 - 2021 INTERNATIONAL MECHANICAL CODE.
 - 2018 ARKANSAS FUEL GAS CODE.
 - 2014 ARKANSAS ENERGY CODE.
 - 2012 ARKANSAS FIRE PREVENTION CODE VOLUME I & II.
- THE CONTRACTOR SHALL COORDINATE WITH ALL OTHER TRADES TO ENSURE ALL AIR CONDITIONING EQUIPMENT, DUCTWORK, PIPING AND RELATED APPURTENANCES ARE NOT LOCATED ABOVE ELECTRICAL EQUIPMENT.
- COORDINATE FIRE RATED WALLS, FLOORS AND CAPS WITH ARCHITECTURAL DRAWINGS. SHOW FIRE RATED WALLS, FLOORS AND CAPS ON HVAC DRAWINGS.

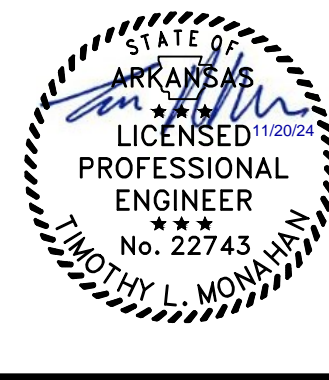
GMP SUBMITTAL. DO NOT USE FOR CONSTRUCTION.

LINETYPES

	NEW - HVAC
	NEW - ALL ADDITIONAL DISCIPLINES
	NEW - HIDDEN
	VENT
	EXISTING - HIDDEN
	EXISTING - ALL DISCIPLINES

Autodesk_Docs\60711-001_Wilson_WTP_Rehab_File_Baas60711-003-3000-FB-3106-FWC-HVAC.rvt 11/20/2024 4:49:23 PM

PROJECT MANAGER:	T. HUDSON		
DESIGNED BY:	T. MONAHAN		
DRAWN BY:	B. WILLIAMS		
PROJECT ENGINEER:	T. MONAHAN		
IF THIS BAR DOES NOT MEASURE 1" THEN DRAWING IS NOT TO FULL SCALE	0 1/2" 1"		
REV	ISSUED FOR	DATE	BY



Hazen
 HAZEN AND SAWYER
 8150 N. CENTRAL EXPRESSWAY
 TOWER II - SUITE 700
 DALLAS, TEXAS 75206

CENTRAL ARKANSAS WATER
 LITTLE ROCK, ARKANSAS
 JACK H. WILSON WTP RENEWAL
 AND RESILIENCY PROJECT

**GENERAL HVAC
 LEGEND, NOTES, AND ABBREVIATIONS**

DATE:	NOVEMBER 2024
HAZEN NO.:	60711-003
CONTRACT NO.:	1
DRAWING NUMBER:	H001

AIR COOLED CONDENSING UNIT

TAG	LOCATION	MANUFACTURER		ASSOCIATED EQUIPMENT	TYPE	DESIGN CAPACITY (MBH)	COMPRESSOR		CONDENSER		EFFICIENCY	AMBIENT TEMP.		WEIGHT (LBS)	POWER					NOTES
		MAKE	MODEL				TYPE	FAN NO.	FAN TYPE	MAX.		MIN.	VOLT		PH	HZ	MCA	MOCP		
ACC-3001	FILTER BLDG	CARRIER	25VNA	AHU-3001	AIR COOLED CONDENSING	60	VARIABLE	1	PROPELLER	24 SEER	95	15	400	208-230	1	60	37	40	1,3,5	
ACC-3002	FILTER BLDG	CARRIER	25VNA	AHU-3002	AIR COOLED CONDENSING	60	VARIABLE	1	PROPELLER	24 SEER	95	15	400	208-230	1	60	37	40	1,3,5	
ACC-3003	FILTER BLDG - 2ND FLOOR ELEC ROOM	mitsubishi	MUZ-FS18NAH	AHU-3003	AIR COOLED CONDENSING	18	INVERTER	1	PROPELLER	20 SEER	95	15	100	208-230	1	60	17	20	1,2,3,4	
ACC-3004	FILTER BLDG - CTRL & CHLORINE ROOF	mitsubishi	SUZ-KA12NAHZ	AHU-3004	AIR COOLED CONDENSING	12	INVERTER	1	PROPELLER	20 SEER	95	15	100	208-230	1	60	14	20	1,2,3,4	
ACC-3005	FILTER BLDG - CTRL & CHLORINE ROOF	mitsubishi	SUZ-KA15NAHZ	AHU-3005	AIR COOLED CONDENSING	15	INVERTER	1	PROPELLER	18 SEER	95	15	100	208-230	1	60	17	20	1,2,3,4	
ACC-3006	FILTER BLDG - CTRL & CHLORINE ROOF	mitsubishi	SUZ-KA15NAHZ	AHU-3006	AIR COOLED CONDENSING	15	INVERTER	1	PROPELLER	18 SEER	95	15	100	208-230	1	60	17	20	1,2,3,4	
ACC-3007	FILTER BLDG - CTRL & CHLORINE ROOF	mitsubishi	SUZ-KA15NAHZ	AHU-3007	AIR COOLED CONDENSING	15	INVERTER	1	PROPELLER	18 SEER	95	15	100	208-230	1	60	17	20	1,2,3,4	
ACC-3008	FILTER BLDG WEST GALLERY	mitsubishi	SUZ-KA36NAHZ	AHU-3008	AIR COOLED CONDENSING	36	INVERTER	2	PROPELLER	16 SEER	95	15	260	208-230	1	60	26	30	1,3,4	

- NOTES:
 1. SEE SPECIFICATION 23 81 26 FOR ADDITIONAL REQUIREMENTS
 2. INDOOR UNIT POWERED FROM OUTDOOR UNIT
 3. HIGH EFFICIENCY UNIT
 4. LOW AMBIENT OPERATION, HYPER HEAT, COIL COATING, PAN HEATER
 5. HAIL GUARD, COIL COATING

DESIGN TEMPERATURE CONDITIONS

	COOLING	HEATING
OUTDOOR AMBIENT CONDITIONS	97 F DB/77 F WB	16 F DB/13 F WB
[30] FILTER BLDG - OCCUPIED SPACES	75 F	70 F
[30] FILTER BLDG - MECH	ΔT = 8 F ABOVE AMBIENT	50 F
[30] FILTER BLDG - ELEC ROOM 2ND FLOOR	85 F	50 F
[30] FILTER CONTROL WEST GALLERY - OCCUPIED SPACES	75 F	70 F
[30] FILTER CONTROL WEST GALLERY - PROCESS SPACE, MECH ROOM	ΔT = 8 F ABOVE AMBIENT	50 F
[31] FINISHED WATER CHEM FEED - CHEMICAL & PROCESS SPACES	ΔT = 8 F ABOVE AMBIENT	50 F
[31] FINISHED WATER CHEM FEED - ELEC ROOM	ΔT = 8 F ABOVE AMBIENT	50 F
[32] AIR SCOUR BLOWER BLDG	ΔT = 8 F ABOVE AMBIENT	50 F
[61] BULK CHEMICAL BLDG - ELEC ROOM	85 F	50 F
[61] BULK CHEMICAL BLDG - CHEMICAL STORAGE	ΔT = 8 F ABOVE AMBIENT	50 F
[70] ELECTRICAL BLDG NO. 1	85 F	50 F
[71] ELECTRICAL BLDG NO. 2	85 F	50 F
[80] ADMIN BLDG - LAB SPACES	72 F	72 F
[80] ADMIN BLDG - OCCUPIED SPACES	75 F	70 F
[80] ADMIN BLDG - ELEC ROOM, ELEVATOR MACHINE ROOM	85 F	50 F
[80] ADMIN BLDG - COMP GAS	ΔT = 8 F ABOVE AMBIENT	50 F

AIR HANDLING UNITS

TAG	LOCATION	MANUFACTURER		TYPE	ASSOCIATED EQUIPMENT	AREA SERVED	AIR FLOW (CFM)	MIN. OA (CFM)	E.S.P. (IWC)	HEATING COIL			COOLING CAPACITY		IEER/SEER	WEIGHT (LBS)	POWER					NOTES	
		MAKE	MODEL							TYPE	OUTPUT CAPACITY (MBH)	GAS CONNECT SIZE	AIRFLOW AT MAX HEATING (CFM)	TOTAL (MBH)			SENSIBLE (MBH)	VOLT	PH	HZ	MCA		MOCP
AHU-3001	FILTER BLDG	CARRER	INFINITY	SPLIT SYS & FURNACE	ACC-3001	FILTER BLDG - 2ND FLOOR	2100	325	0.5	GAS FURNACE	70	1/2	2100	60	50	24 SEER	350	115	1	60	11	20	2,3,7,12
AHU-3002	FILTER BLDG	CARRIER	INFINITY	SPLIT SYS & FURNACE	ACC-3002	FILTER BLDG - 2ND FLOOR	2100	300	0.5	GAS FURNACE	56	1/2	2100	60	48	24 SEER	350	115	1	60	11	20	2,3,7,12
AHU-3003	FILTER BLDG	mitsubishi	MSZ-FS18NA	WALL MOUNT MINI-SPLIT	ACC-3003	FILTER BLDG - ELEC ROOM	450	-	-	HEAT PUMP	4	-	450	18	14	20 SEER	30	-	-	-	-	-	2,7,10,11
AHU-3004	FILTER BLDG	mitsubishi	SLZ-KF12NA	CEILING CASSETTE	ACC-3004	FILTER BLDG - BREAKROOM	300	-	-	HEAT PUMP	12	-	325	12	9	20 SEER	60	-	-	-	-	-	2,7,10,11
AHU-3005	FILTER BLDG	mitsubishi	SLZ-KF15NA	CEILING CASSETTE	ACC-3005	FILTER BLDG - CONTROL ROOM	350	30	-	HEAT PUMP	15	-	325	15	11	18 SEER	60	-	-	-	-	-	2,7,10,11
AHU-3006	FILTER BLDG	mitsubishi	SLZ-KF15NA	CEILING CASSETTE	ACC-3006	FILTER BLDG - CONTROL ROOM	350	30	-	HEAT PUMP	15	-	325	15	11	18 SEER	60	-	-	-	-	-	2,7,10,11
AHU-3007	FILTER BLDG	mitsubishi	SLZ-KF15NA	CEILING CASSETTE	ACC-3007	FILTER BLDG - SCADA CTRL	350	30	-	HEAT PUMP	15	-	325	15	11	18 SEER	60	-	-	-	-	-	2,7,10,11
AHU-3008	FILTER BLDG WEST GALLERY	mitsubishi	SVZ-KP36NA	MULTI-POSITION MINI-SPLIT	ACC-3008	FILTER BLDG - WEST GALLERY	900	100	0.5	HEAT PUMP	30	-	1800	36	28	16 SEER	150	208/230	1	60	30	30	2,7,10,11
AHU-6101	BULK CHEMICAL BLDG	BAR	W18H	PACKAGED WALL MOUNT	-	BCB - ELEC ROOM	600	-	0.5	HEAT PUMP	17	-	600	18	14	11 EER	325	460	3	60	5	20	1,4,5,8
AHU-7001	ELECTRICAL BLDG NO. 1	CARRIER	50LC2H07	ROOFTOP PACKAGED	-	ELEC BLDG NO. 1	2600	-	0.5	ELECTRIC	30	-	2600	76	72	13 EER	600	460	3	60	21	25	1,3,4,6,7
AHU-7101	ELECTRICAL BLDG NO. 2	BAR	W3VH	PACKAGED WALL MOUNT	-	ELEC BLDG NO. 2	1050	-	0.5	HEAT PUMP	30	-	1050	36	28	11 EER	630	460	3	60	13	20	1,4,5,8
AHU-7102	ELECTRICAL BLDG NO. 2	BAR	W3VH	PACKAGED WALL MOUNT	-	ELEC BLDG NO. 2	1050	-	0.5	HEAT PUMP	30	-	1050	36	28	11 EER	630	460	3	60	13	20	1,4,5,8
AHU-8001	ADMIN BLDG - MICRO, ORGANIC, INORGANIC LAB	CARRIER	48JCHV06	ROOFTOP PACKAGED	-	ADMIN BLDG - ORGANIC LAB	2000	350	0.5	GAS FURNACE	75	1/2	2000	58	44	19 SEER	600	460	3	60	16	20	1,3,4,6,7,8,12
AHU-8002	ADMIN BLDG - CHEMIST & ENTRY HALL	CARRIER	48JCHV04	ROOFTOP PACKAGED	-	ADMIN BLDG - INORGANIC LAB	1200	200	0.5	GAS FURNACE	55	1/2	1200	34	28	20 SEER	600	460	3	60	12	20	1,3,4,6,7,8,12
AHU-8003	ADMIN BLDG - PREP LAB & LAB HALL	CARRIER	48JCHV05	ROOFTOP PACKAGED	-	ADMIN BLDG - PREP LAB	1600	300	0.5	GAS FURNACE	62	1/2	1600	42	32	20 SEER	600	460	3	60	14	20	1,3,4,6,7,8,12
AHU-8004	ADMIN BLDG - WAITING & BREAKROOM	CARRIER	48JCHV06	ROOFTOP PACKAGED	-	ADMIN BLDG - ENTRY	2000	200	0.5	GAS FURNACE	64	1/2	2000	58	48	19 SEER	600	460	3	60	16	20	1,3,4,6,7,8,12
AHU-8005	ADMIN BLDG - 2ND FLOOR ADMIN	CARRIER	48LCDB09	VAV	-	ADMIN BLDG - 2ND FLOOR	3400	350	0.75	GAS FURNACE	100	3/4	3400	90	69	13 EER	1000	460	3	60	26	30	1,3,4,6,7,8,9,12

- NOTES:
 1. SEE SPECIFICATION 23 81 24 FOR ADDITIONAL REQUIREMENTS
 2. SEE SPECIFICATION 23 81 26 FOR ADDITIONAL REQUIREMENTS
 3. SMOKE DETECTOR & UV LIGHT WITH DOOR SWITCH IN THE RETURN
 4. ALL COILS MANUFACTURER COATED IN EPOXY PHENOLIC, HERESITE OR EQUAL
 5. PROVIDE UNIT WITH WALL SLEEVE, MANUFACTURER THERMOSTAT, AND MANUFACTURER SUPPLY & RETURN GRILLES
 6. MATCHING ROOF CURB, HAIL GUARD, COIL COATING
 7. HIGHEST EFFICIENCY UNITS, WITH DEHUMIDIFICATION
 8. PROVIDE WITH ECONOMIZER, MIXING BOX, COMPARATIVE ENTHALPY CONTROLLER & POWER EXHAUST
 9. VARIABLE SPEED FOR VAV APPLICATION
 10. MINI-SPLIT W/ HYPER HEATING, BLUE FIN COATING, BUILT IN CONDENSATE PUMP & CONDENSATE OVERFLOW SHUTDOWN, VENTILATION AIR INTAKE OPENING
 11. INDOOR UNIT POWERED FROM OUTDOOR UNIT
 12. MODULATING FURNACE NON-CONDENSING, CONCENTRIC VENT KIT, LOW NOX, BOTTOM RETURN

FILTERS AND FILTER HOUSINGS

TAG	LOCATION	MANUFACTURER		TYPE	AIRFLOW (CFM)	FILTER SIZE		MAX. FACE VEL. (FPM)	PRESS. DROP MAX (TWG)	MERV RATING	MEDIA DEPTH (IN)	NOTES
		MAKE	MODEL			WIDTH (IN)	HEIGHT (IN)					
F-3101	FINISHED WATER CHEM FEED - ELEC ROOM	CAMFIL	V-BANK	ALUMINUM	600	25	16	500	0.1	8	2	1
F-8001	ADMIN BLDG - PREP LAB	CAMFIL	V-BANK	ALUMINUM	675	25	16	500	0.1	11	2	1
F-8002	ADMIN BLDG - ORGANIC LAB	CAMFIL	V-BANK	ALUMINUM	675	25	16	500	0.1	11	2	1
F-8003	ADMIN BLDG - INORGANIC LAB	CAMFIL	V-BANK	ALUMINUM	675	25	16	500	0.1	11	2	1

- NOTES:
 1. SEE SPECIFICATION 23 31 13 FOR ADDITIONAL REQUIREMENTS
 2. PROVIDE 6 MONTHS OF SPARE FITLERS

GMP SUBMITTAL. DO NOT USE FOR CONSTRUCTION.

Autodesk_Docs\60711-001_Wilson_WTP_Rehab_Filter_Bank\60711-003-3000-FB-3100-FWV-HVAC.rvt 11/20/2024 4:48:30 PM

PROJECT MANAGER:	T. HUDSON
DESIGNED BY:	T. MONAHAN
DRAWN BY:	B. WILLIAMS
PROJECT ENGINEER:	T. MONAHAN
IF THIS BAR DOES NOT MEASURE 1" THEN DRAWING IS NOT TO FULL SCALE	
REV	ISSUED FOR
	DATE
	BY



Hazen
 HAZEN AND SAWYER
 8150 N. CENTRAL EXPRESSWAY
 TOWER II - SUITE 700
 DALLAS, TEXAS 75206

CENTRAL ARKANSAS WATER
 LITTLE ROCK, ARKANSAS
 JACK H. WILSON WTP RENEWAL
 AND RESILIENCY PROJECT

GENERAL
 HVAC
 SCHEDULES SHEET 1

DATE:	NOVEMBER 2024
HAZEN NO.:	60711-003
CONTRACT NO.:	1
DRAWING NUMBER:	H002

CONTROL DAMPERS

TAG	AREA SERVED	MANUFACTURER		BLADE TYPE	FAIL POSITION	MATERIAL	SIZE (IN)			ACTUATION TYPE (ELECT./PNEUMATIC)	AIRFLOW (CFM)	PRESSURE DROP MAX. ("WG)	POWER			NOTES
		MAKE	MODEL				W	H	D				VOLT	PH	HZ	
D-3001	FILTER BLDG - WOMEN'S LOCKER	GREENHECK	EM-30 SERIES	GRAVITY	CLOSED	ALUMINUM	18	12	4	GRAVITY	300	0.1	-	-	-	1,2,3
D-3002	FILTER BLDG - MEN'S LOCKER	GREENHECK	EM-30 SERIES	GRAVITY	CLOSED	ALUMINUM	18	12	4	GRAVITY	300	0.1	-	-	-	1,2,3
D-3003	FILTER BLDG - MECH ROOM	GREENHECK	EM-30 SERIES	GRAVITY	CLOSED	ALUMINUM	48	48	4	GRAVITY	625	0.05	-	-	-	1,3
D-3004	FILTER BLDG - 3RD FLOOR	GREENHECK	EM-30 SERIES	GRAVITY	CLOSED	ALUMINUM	80	40	4	GRAVITY	7000	0.1	-	-	-	1,2,3
D-3005	FILTER BLDG - 3RD FLOOR	GREENHECK	EM-30 SERIES	GRAVITY	CLOSED	ALUMINUM	80	40	4	GRAVITY	7000	0.1	-	-	-	1,2,3
D-3006	FILTER BLDG WEST GALLERY	GREENHECK	VCD-40 SERIES	AIRFOIL	CLOSED	ALUMINUM	14	14	4	ELEC ACTUATOR	500	0.1	115	1	60	1
D-3101	FINISHED WATER CHEM FEED - ELEC ROOM	GREENHECK	EM-30 SERIES	GRAVITY	CLOSED	ALUMINUM	24	16	4	GRAVITY	500	0.1	-	-	-	1,2,3
D-3102	FINISHED WATER CHEM FEED - CHEM FEED	GREENHECK	EM-30 SERIES	GRAVITY	CLOSED	ALUMINUM	40	40	4	GRAVITY	1050	0.1	-	-	-	1,2,3
D-3103	FINISHED WATER CHEM FEED - ZOP	GREENHECK	SEVCD-23 SERIES	AIRFOIL	CLOSED	316 SST	24	24	4	ELEC ACTUATOR	350	0.1	115	1	60	1,3
D-3104	FINISHED WATER CHEM FEED - FLUORIDE	GREENHECK	SEVCD-23 SERIES	AIRFOIL	CLOSED	316 SST	24	24	4	ELEC ACTUATOR	700	0.1	115	1	60	1,3
D-6101	BULK CHEMICAL BLDG	GREENHECK	EM-30 SERIES	GRAVITY	CLOSED	ALUMINUM	48	48	4	GRAVITY	3600	0.1	-	-	-	1,3,4
D-6102	BULK CHEMICAL BLDG	GREENHECK	EM-30 SERIES	GRAVITY	CLOSED	ALUMINUM	48	48	4	GRAVITY	3600	0.1	-	-	-	1,3,4

- NOTES:
 1. SEE SPECIFICATION 23 34 00 FOR ADDITIONAL REQUIREMENTS
 2. FIELD VERIFY EXISTING OPENING DIMENSIONS
 3. BLADE SEALS, EDGE SEALS, JAMB SEALS
 4. PROVIDE MANUFACTURER EPOXY COATINGS, HI-PRO POLYESTER OR EQUAL

ELECTRIC HEATERS

TAG	LOCATION	MANUFACTURER		TYPE	CAPACITY (KW)	AIRFLOW (CFM)	DIMENSIONS			WEIGHT (LBS)	POWER			NOTES
		MAKE	MODEL				WIDTH (IN)	HEIGHT (IN)	DEPTH (IN)		VOLT	PH	HZ	
EUH-3001	FILTER BLDG - STAIR	QMARK	MUH	INDUSTRIAL	3	350	16	14	8	30	480	3	60	1
EUH-3002	FILTER BLDG - MEN'S LOCKER	QMARK	AWH	WALL HEATER	1.5	-	20	16	8	25	115	1	60	1
EUH-3003	FILTER BLDG - WOMEN'S LOCKER	QMARK	AWH	WALL HEATER	1.5	-	20	16	8	25	115	1	60	1
EUH-3101	FINISHED WATER CHEM FEED - CHEM FEED	QMARK	QWD	WASHDOWN	7.5	700	13	20	18	60	480	3	60	1
EUH-3102	FINISHED WATER CHEM FEED - FLUORIDE	QMARK	QWD	WASHDOWN	5	700	13	20	18	60	480	3	60	1
EUH-3103	FINISHED WATER CHEM FEED - ZOP	QMARK	QWD	WASHDOWN	3	700	13	20	18	60	480	3	60	1
EUH-3201	AIR SCOUR BLOWER BLDG	QMARK	QWD	WASHDOWN	10	700	13	20	18	60	480	3	60	1,2
EUH-6101	BULK CHEM BLDG	QMARK	QWD	WASHDOWN	5	700	13	20	18	60	480	3	60	1
EUH-6102	BULK CHEM BLDG	QMARK	QWD	WASHDOWN	5	700	13	20	18	60	480	3	60	1
EUH-6103	BULK CHEM BLDG	QMARK	QWD	WASHDOWN	5	700	13	20	18	60	480	3	60	1
EUH-6104	BULK CHEM BLDG	QMARK	QWD	WASHDOWN	5	700	13	20	18	60	480	3	60	1
EUH-6105	BULK CHEM BLDG	QMARK	QWD	WASHDOWN	5	700	13	20	18	60	480	3	60	1
EUH-8001	ADMIN BLDG - STAIR	QMARK	MUH	INDUSTRIAL	3	350	16	14	8	30	480	3	60	1
EUH-8002	ADMIN BLDG - STORAGE	QMARK	MUH	INDUSTRIAL	3	350	16	14	8	30	480	3	60	1
EAC-8001	ADMIN BLDG - VESTIBULE	POWERED AIRE	ETA-E	AIR CURTAIN	10	1500	42	12	10	120	480	3	60	1

- NOTES:
 1. SEE SPECIFICATION 23 82 16.14 FOR ADDITIONAL REQUIREMENTS
 2. REPLACE IN KIND. CONTRACTOR TO CONFIRM EXISTING EQUIPMENT SIZE.

GAS FIRED UNIT HEATERS

TAG	LOCATION	MANUFACTURER		THERMAL EFFICIENCY (%)	OUTPUT CAPACITY (MBH)	GAS FIRED HEATING			TYPE	AIRFLOW (CFM)	DIMENSIONS			WEIGHT (LBS)	POWER			NOTES
		MAKE	MODEL			CONSUMPTION (SCFH)	CONNECTION SIZE (IN)	WIDTH (IN)			HEIGHT (IN)	DEPTH (IN)	VOLT		PH	HZ		
GUH-3001	FILTER BLDG - WEST GALLERY	TRANE	GT	83%	48	INDIRECT FIRED	60	1/2	INDIRECT FIRED	2400	28	18	12	200	115	1	60	1,2
GUH-3002	FILTER BLDG - WEST GALLERY	TRANE	GT	83%	48	INDIRECT FIRED	60	1/2	INDIRECT FIRED	2400	28	18	12	200	115	1	60	1,2
GUH-3003	FILTER BLDG - WEST GALLERY	TRANE	GT	83%	48	INDIRECT FIRED	60	1/2	INDIRECT FIRED	2400	28	18	12	200	115	1	60	1,2
GUH-3004	FILTER BLDG - WEST GALLERY	TRANE	GT	83%	48	INDIRECT FIRED	60	1/2	INDIRECT FIRED	2400	28	18	12	200	115	1	60	1,2
GUH-3005	FILTER BLDG - WEST GALLERY	TRANE	GT	83%	48	INDIRECT FIRED	60	1/2	INDIRECT FIRED	2400	28	18	12	200	115	1	60	1,2
GUH-3006	FILTER BLDG - WEST GALLERY	TRANE	GT	83%	48	INDIRECT FIRED	60	1/2	INDIRECT FIRED	2400	28	18	12	200	115	1	60	1,2
GUH-3007	FILTER BLDG - WEST GALLERY	TRANE	GT	83%	48	INDIRECT FIRED	60	1/2	INDIRECT FIRED	2400	28	18	12	200	115	1	60	1,2
GUH-3008	FILTER BLDG - WEST GALLERY	TRANE	GT	83%	48	INDIRECT FIRED	60	1/2	INDIRECT FIRED	2400	28	18	12	200	115	1	60	1,2
GUH-3009	FILTER BLDG - 3RD FLOOR	TRANE	GN	81%	240	INDIRECT FIRED	300	3/4	INDIRECT FIRED	2400	20	34	32	200	115	1	60	1,2

- NOTES:
 1. SEE SPECIFICATION 23 55 33.16 FOR ADDITIONAL REQUIREMENTS
 2. CONCENTRIC VENT KIT AND CAP

INSTRUMENTATION

TAG	AREA SERVED	MANUFACTURER		EQUIPMENT CONTROLLED	TYPE	SETPOINT	POWER			NOTES
		MAKE	MODEL				VOLT	PH	HZ	
CO-3001	FILTER BLDG WEST GALLERY	HONEYWELL	CWL	AHU-3008	CO2 SENSOR	400 PPM DIFFERENTIAL	115	1	60	1
CO-8001	ADMIN BLDG - CONFERENCE	CARRIER	ZS2 PRO	AHU-8005	CO2 SENSOR	400 PPM DIFFERENTIAL	115	1	60	1

- NOTES:
 1. SEE SPECIFICATION 23 09 00 FOR ADDITIONAL REQUIREMENTS

TEMPERATURE SWITCH, SENSOR, AND THERMOSTAT

TAG	AREA SERVED	MANUFACTURER		EQUIPMENT CONTROLLED	TYPE	SETPOINT	POWER			NOTES
		MAKE	MODEL				VOLT	PH	HZ	
T-3001	FILTER BLDG - 2ND FLOOR	CARRIER	-	AHU-3001	THERMOSTAT	75 F / 70 F	115	1	60	1,3
T-3002	FILTER BLDG - 2ND FLOOR	CARRIER	-	AHU-3002	THERMOSTAT	75 F / 70 F	115	1	60	1,3
T-3003	FILTER BLDG - 2ND FLOOR ELEC ROOM	mitsubishi	-	AHU-3003	THERMOSTAT	85 F / 50 F	115	1	60	1,3
T-3004	FILTER BLDG - BREAKROOM	mitsubishi	-	AHU-3004	THERMOSTAT	75 F / 70 F	115	1	60	1,3
T-3005	FILTER BLDG - CONTROL	mitsubishi	PAR-CT	AHU-3005 & AHU-3006	THERMOSTAT	75 F / 70 F	115	1	60	1,3
T-3006	FILTER BLDG - CONTROL	mitsubishi	PAR-CT	AHU-3006	THERMOSTAT	75 F / 70 F	12	VDC	-	1,3
T-3007	FILTER BLDG - SCADA/CONTROL	mitsubishi	-	AHU-3007	THERMOSTAT	75 F / 70 F	115	1	60	1,3
T-3008	FILTER BLDG WEST GALLERY	mitsubishi	-	AHU-3008	THERMOSTAT	75 F / 70 F	115	1	60	1,3
T-3009	FILTER BLDG WEST GALLERY	mitsubishi	-	AHU-3008	THERMOSTAT	75 F / 70 F	115	1	60	1,3
T-3010	FINISHED WATER CHEM FEED - ELEC ROOM	PECO	115	EF-3005	THERMOSTAT	80 F	115	1	60	1,2
T-3011	FILTER BLDG - 3RD FLOOR	PECO	115	EF-3003	THERMOSTAT	80 F	115	1	60	1,2
T-3012	FILTER BLDG - 3RD FLOOR	PECO	115	EF-3004	THERMOSTAT	80 F	115	1	60	1,2
T-3201	AIR SCOUR BLDG	PECO	115	EF-3201	THERMOSTAT	70 F	115	1	60	1,2
T-6101	BULK CHEMICAL BLDG	BARD	-	AHU-6101	THERMOSTAT	70 F	115	1	60	1,3
T-6102	BULK CHEMICAL BLDG	PECO	115	EF-6102	THERMOSTAT	85 F / 50 F	115	1	60	1,2
T-6103	BULK CHEMICAL BLDG	EMERSON PROCESS	ROSEMOUNT 3144P	EDH-6101	THERMOSTAT	50 F	115	1	60	1,2
T-7001	ELECTRICAL BLDG NO. 1	CARRIER	ZS PRO	AHU-7001	THERMOSTAT	85 F / 50 F	115	1	60	1,3
T-7101	ELECTRICAL BLDG NO. 2	BARD	-	AHU-7101 & AHU-7102	LEAD/LAG CONTROLLER	85 F / 50 F	115	1	60	1,3
T-8001	ADMIN BLDG - ORGANIC LAB	CARRIER	ZS PRO	AHU-8001 & BMS	THERMOSTAT	72 F / 72 F	115	1	60	1,3
T-8002	ADMIN BLDG - CHEMIST	CARRIER	ZS PRO	AHU-8002 & BMS	THERMOSTAT	75 F / 70 F	115	1	60	1,3
T-8003	ADMIN BLDG - PREP LAB	CARRIER	ZS PRO	AHU-8003 & BMS	THERMOSTAT	72 F / 72 F	115	1	60	1,3
T-8004	ADMIN BLDG - WAITING	CARRIER	ZS PRO	AHU-8004 & BMS	THERMOSTAT	75 F / 70 F	115	1	60	1,3
T-8005	ADMIN BLDG - CONFERENCE	CARRIER	ZS PRO	AHU-8005, BMS, VAV-8001	VAV CONTROL & THERMOSTAT	75 F / 70 F	115	1	60	1,3
T-8006	ADMIN BLDG - MEN'S	CARRIER	ZS PRO	AHU-8005, BMS, VAV-8002	VAV CONTROL & THERMOSTAT	75 F / 70 F	115	1	60	1,3
T-8007	ADMIN BLDG - OFFICE & HALL	CARRIER	ZS PRO	AHU-8005, BMS, VAV-8003	VAV CONTROL & THERMOSTAT	75 F / 70 F	115	1	60	1,3
T-8008	ADMIN BLDG - OFFICE & CUBICLE	CARRIER	ZS PRO	AHU-8005, BMS, VAV-8004	VAV CONTROL & THERMOSTAT	75 F / 70 F	115	1	60	1,3
T-8009	ADMIN BLDG - CUBICLES	CARRIER	ZS PRO	AHU-8005, BMS, VAV-8005	VAV CONTROL & THERMOSTAT	75 F / 70 F	115	1	60	1,3
T-8010	ADMIN BLDG - OFFICE & MOTHER	CARRIER	ZS PRO	AHU-8005, BMS, VAV-8006	VAV CONTROL & THERMOSTAT	75 F / 70 F	115	1	60	1,3
T-8011	ADMIN BLDG - PREP LAB	EMERSON PROCESS	ROSEMOUNT 3144P	EDH-8001	TEMPERATURE SWITCH	55 F	115	1	60	1,2
T-8012	ADMIN BLDG - ORGANIC LAB	EMERSON PROCESS	ROSEMOUNT 3144P	EDH-8002	TEMPERATURE SWITCH	55 F	115	1	60	1,2
T-8013	ADMIN BLDG - INORGANIC LAB	EMERSON PROCESS	ROSEMOUNT 3144P	EDH-8003	TEMPERATURE SWITCH	55 F	115	1	60	1,2
T-8014	ADMIN BLDG - ENTRY VESTIBULE	POWERED AIRE	-	EAC-8001	THERMOSTAT & CONTROLLER	-	115	1	60	1,3

- NOTES:
 1. SEE SPECIFICATION 23 09 00 FOR ADDITIONAL REQUIREMENTS
 2. NEMA 4X RATED
 3. MANUFACTURER FURNISHED, MATCHING EQUIPMENT
 4. OCCUPANCY MONITORING

GMP SUBMITTAL. DO NOT USE FOR CONSTRUCTION.

Autodesk_Docs\60711-001_Wilson_WTP_Renewal_File_Bashe60711-003-3000-FB-3100-FWC-HVAC.rvt 1/12/2024 4:48:35 PM

PROJECT MANAGER:	T. HUDSON		
DESIGNED BY:	T. MONAHAN		
DRAWN BY:	B. WILLIAMS		
PROJECT ENGINEER:	T. MONAHAN		
IF THIS BAR DOES NOT MEASURE 1" THEN DRAWING IS NOT TO FULL SCALE	0 1/2" 1"		
REV	ISSUED FOR	DATE	BY



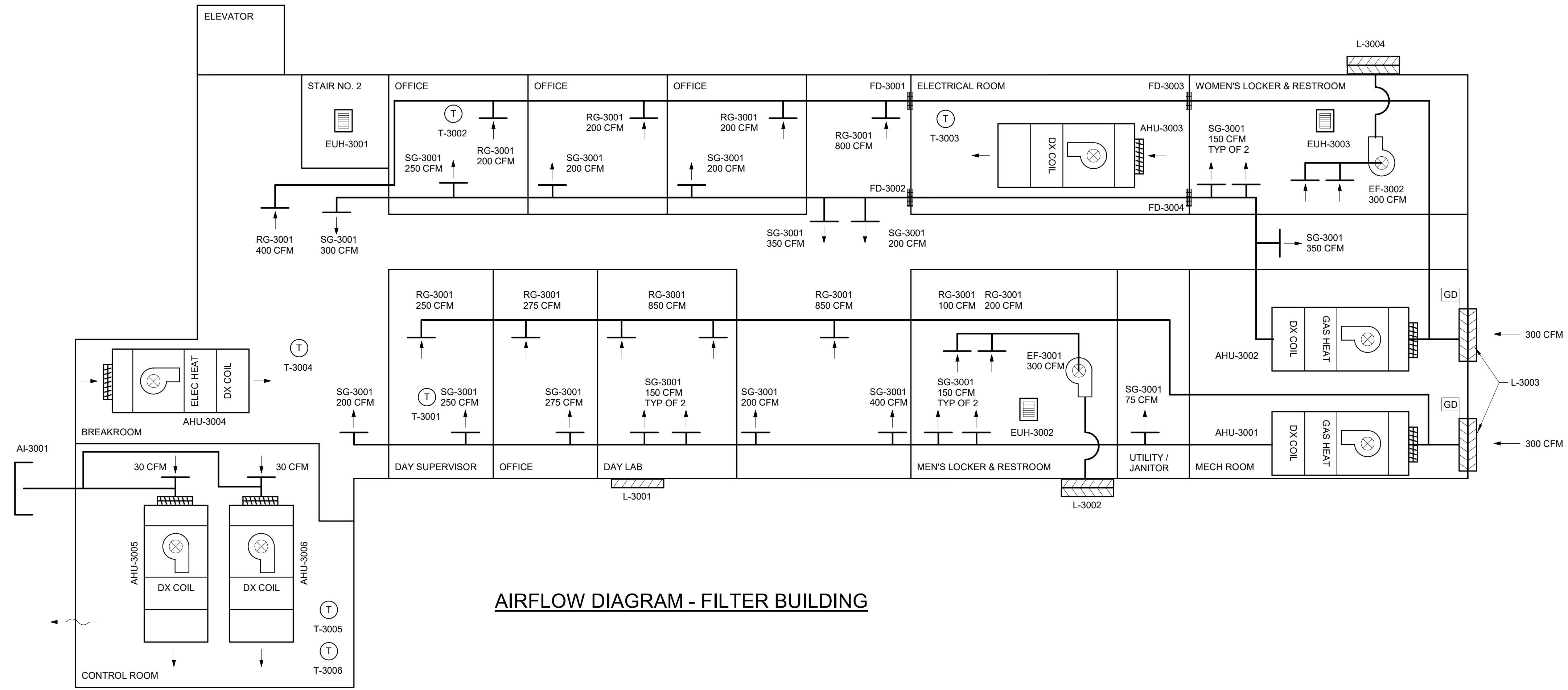
Hazen
 HAZEN AND SAWYER
 8150 N. CENTRAL EXPRESSWAY
 TOWER II - SUITE 700
 DALLAS, TEXAS 75206

CENTRAL ARKANSAS WATER
 LITTLE ROCK, ARKANSAS
 JACK H. WILSON WTP RENEWAL
 AND RESILIENCY PROJECT

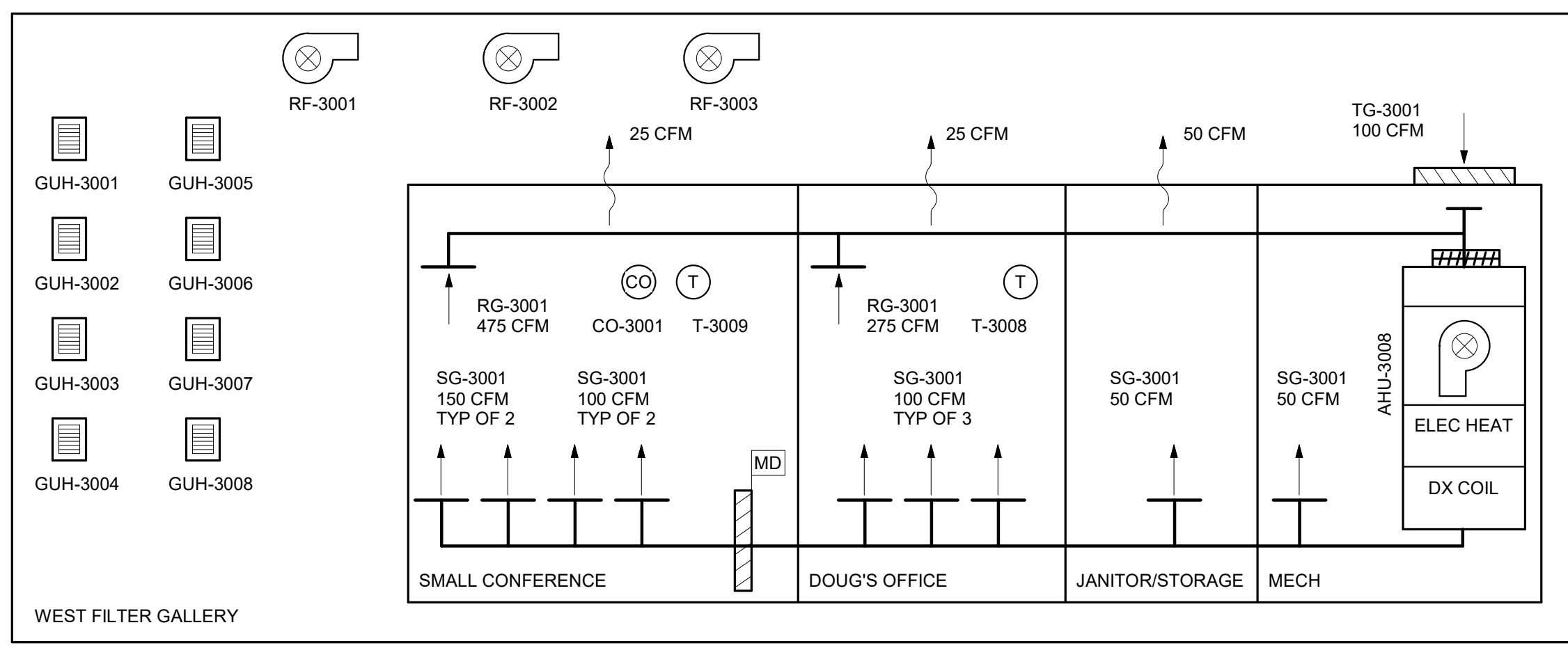
GENERAL
 HVAC
 SCHEDULES SHEET 3

DATE:	NOVEMBER 2024
HAZEN NO.:	60711-003
CONTRACT NO.:	1
DRAWING NUMBER:	H004

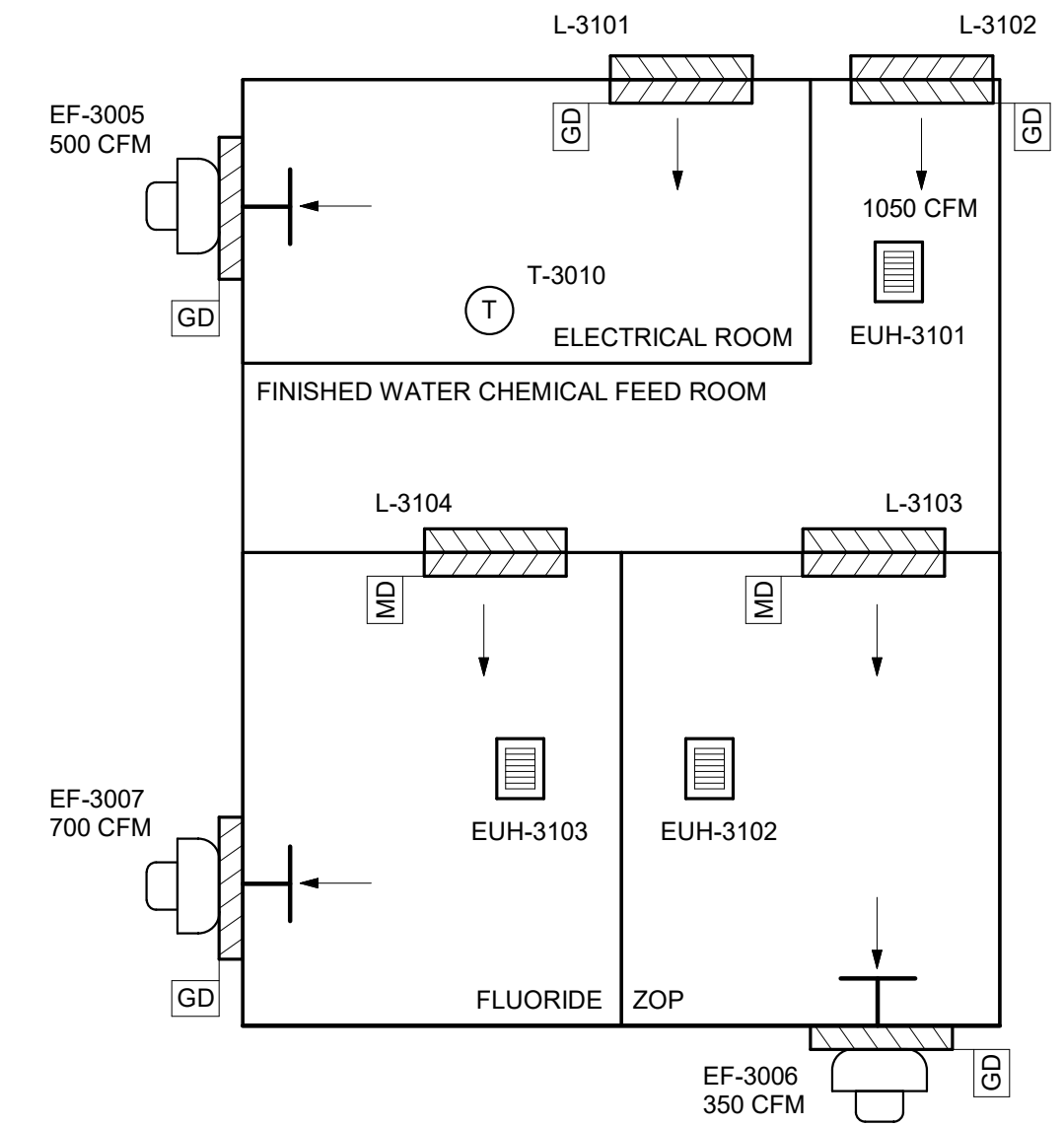
- NOTES:
- EQUIPMENT DENOTED WITH * SHALL BE SUPPLIED AND CONTROLLED BY THE EQUIPMENT MANUFACTURER. EQUIPMENT SHALL BE SHIPPED LOOSE AND SHALL BE FIELD INSTALLED AND WIRED BY THE CONTRACTOR.



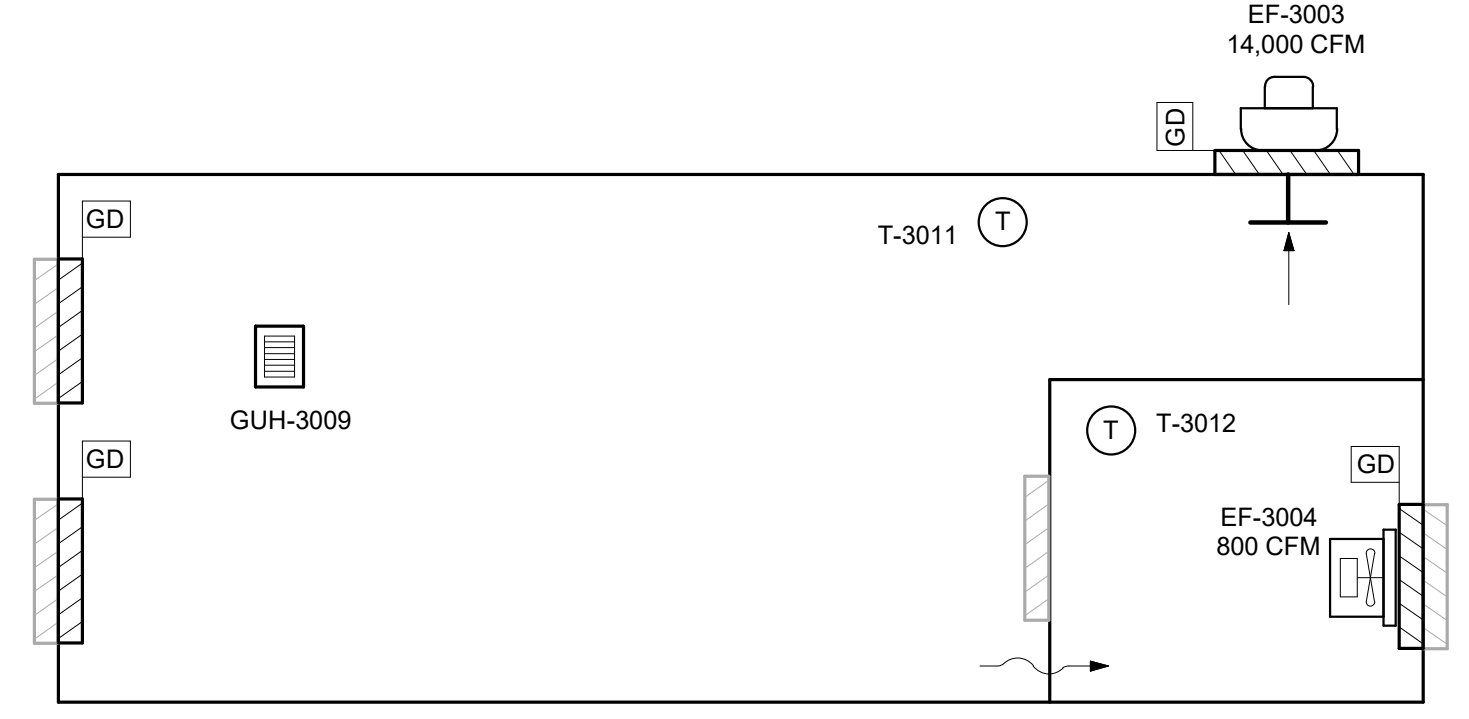
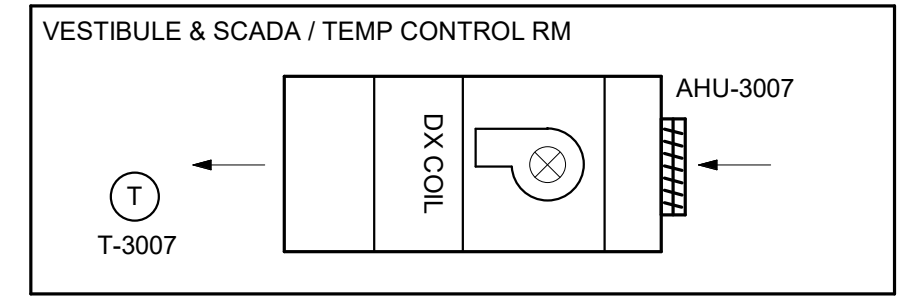
AIRFLOW DIAGRAM - FILTER BUILDING



AIRFLOW DIAGRAM - FILTER GALLERY



AIRFLOW DIAGRAM - FILTER BUILDING FINISHED WATER



AIRFLOW DIAGRAM - FILTER BUILDING THIRD FLOOR

Autodesk_Docs\60711-001_Wilson_WTP_Rehab_Filter_Building\003-3000-FB-3100-FWC-HVAC.rvt 11/18/2024 4:48:35 PM

PROJECT MANAGER:	T. HUDSON		
DESIGNED BY:	T. MONAHAN		
DRAWN BY:	B. WILLIAMS		
PROJECT ENGINEER:	T. MONAHAN		
IF THIS BAR DOES NOT MEASURE 1" THEN DRAWING IS NOT TO FULL SCALE			
REV	ISSUED FOR	DATE	BY



Hazen
HAZEN AND SAWYER
8150 N. CENTRAL EXPRESSWAY
TOWER II - SUITE 700
DALLAS, TEXAS 75206

CENTRAL ARKANSAS WATER
LITTLE ROCK, ARKANSAS
JACK H. WILSON WTP RENEWAL
AND RESILIENCY PROJECT

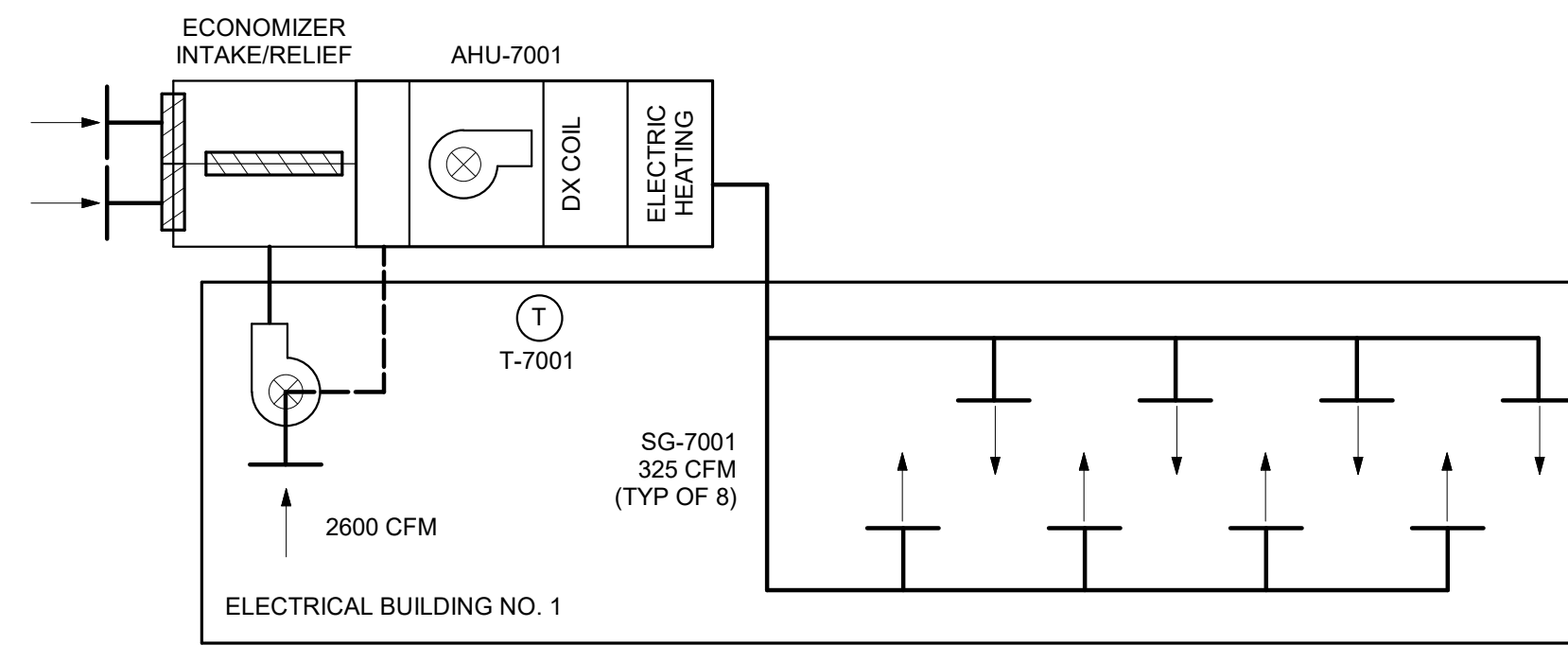
GENERAL
HVAC
AIRFLOW DIAGRAMS

DATE:	NOVEMBER 2024
HAZEN NO.:	60711-003
CONTRACT NO.:	1
DRAWING NUMBER:	H005

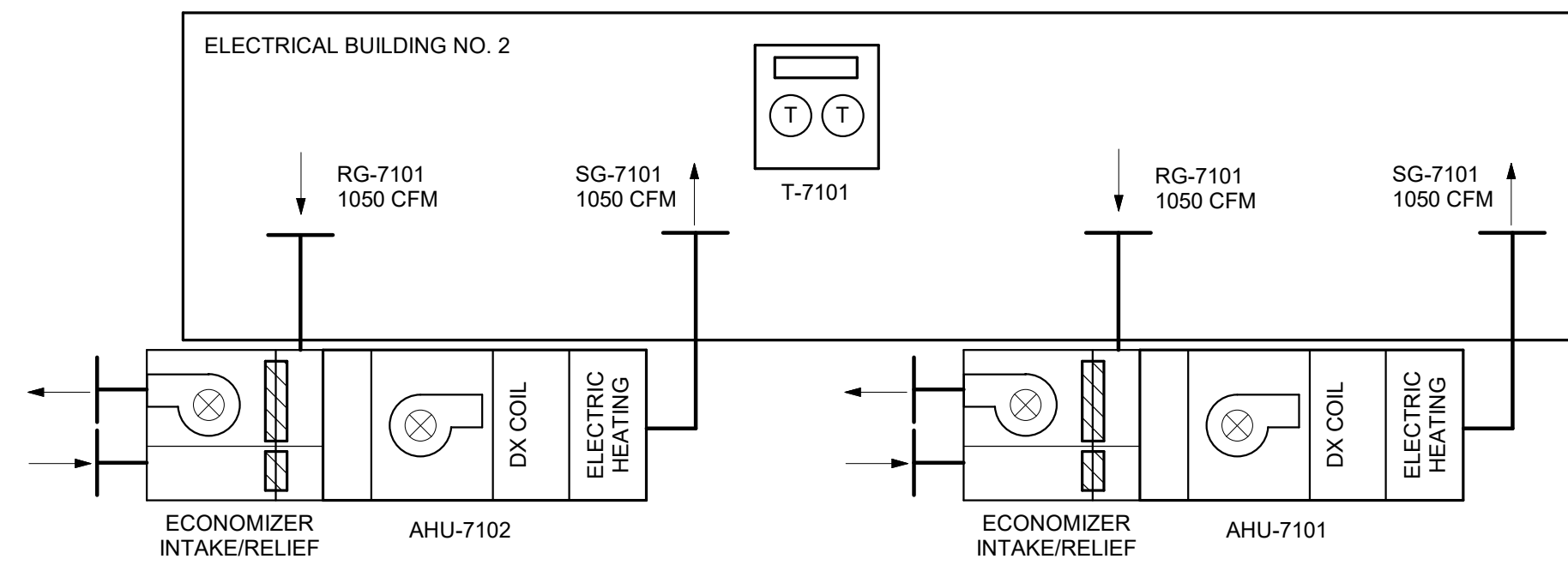
GMP SUBMITTAL. DO NOT USE FOR CONSTRUCTION.

NOTES:

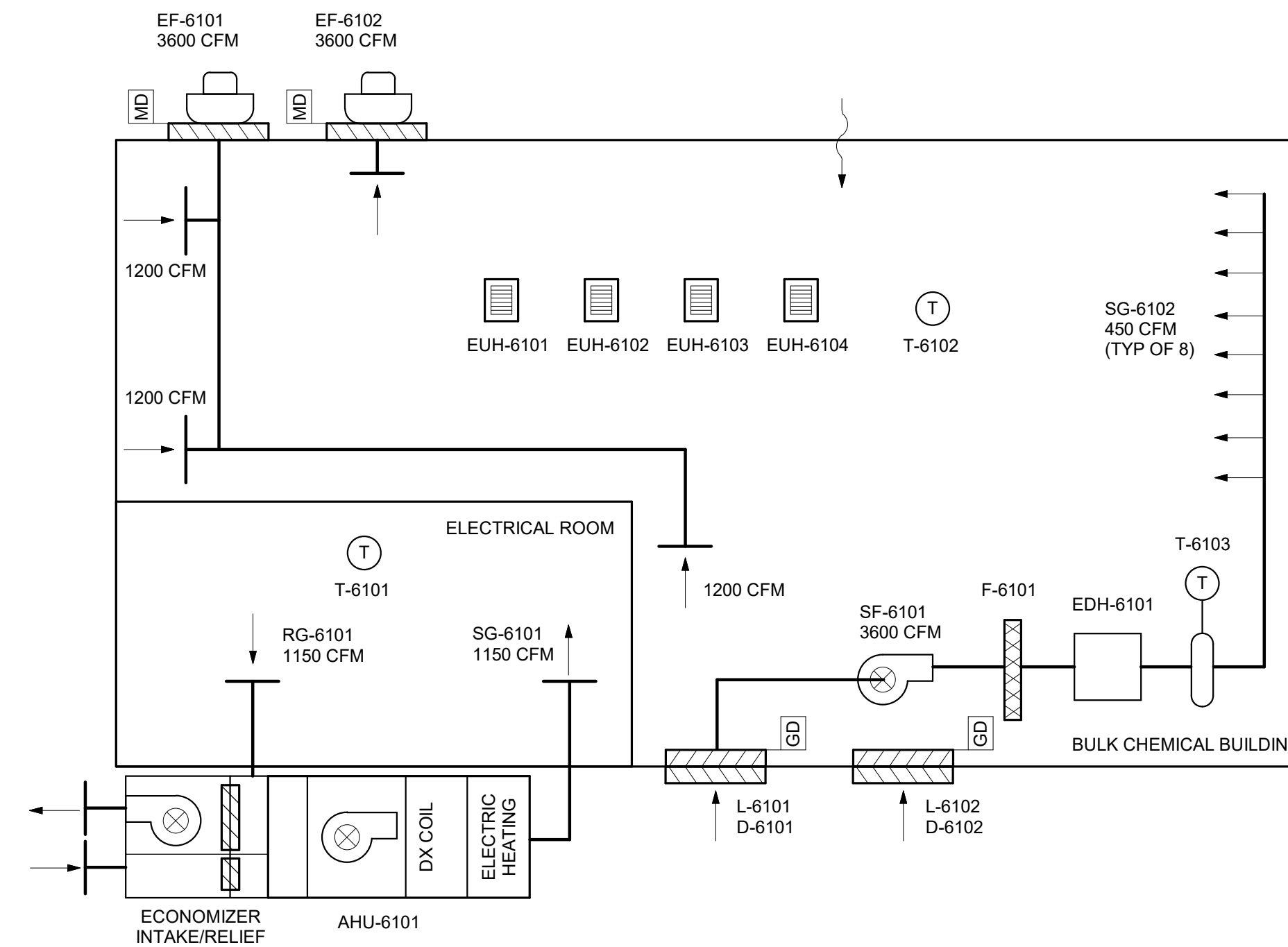
- EQUIPMENT DENOTED WITH * SHALL BE SUPPLIED AND CONTROLLED BY THE EQUIPMENT MANUFACTURER. EQUIPMENT SHALL BE SHIPPED LOOSE AND SHALL BE FIELD INSTALLED AND WIRED BY THE CONTRACTOR.



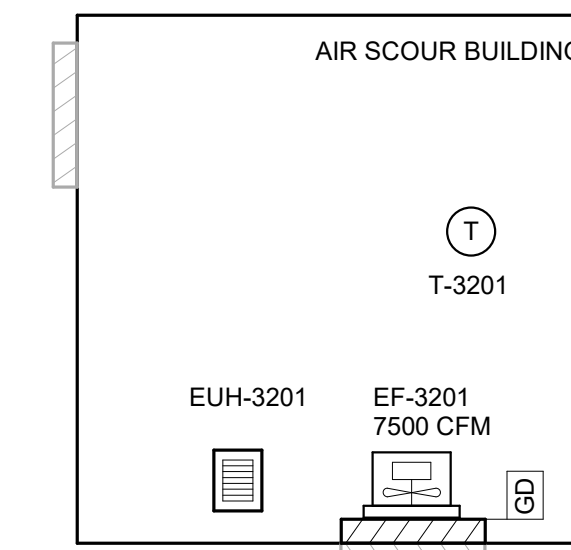
AIRFLOW DIAGRAM - ELECTRICAL BUILDINGS



AIRFLOW DIAGRAM - BULK CHEMICAL BUILDING



AIRFLOW DIAGRAM - AIR SCOUR BUILDING



GMP SUBMITTAL. DO NOT USE FOR CONSTRUCTION.

Autodesk_Docs\60711-001_Wilson_WTP_Rehab_File_Base\60711-003-3000-FB-3106-FW-C-HVAC.rvt 11/12/2024 4:48:38 PM

REV	ISSUED FOR	DATE	BY

PROJECT MANAGER:	T. HUDSON
DESIGNED BY:	T. MONAHAN
DRAWN BY:	B. WILLIAMS
PROJECT ENGINEER:	T. MONAHAN
IF THIS BAR DOES NOT MEASURE 1" THEN DRAWING IS NOT TO FULL SCALE	0 1/2" 1"



Hazen
HAZEN AND SAWYER
8150 N. CENTRAL EXPRESSWAY
TOWER II - SUITE 700
DALLAS, TEXAS 75206

CENTRAL ARKANSAS WATER
LITTLE ROCK, ARKANSAS

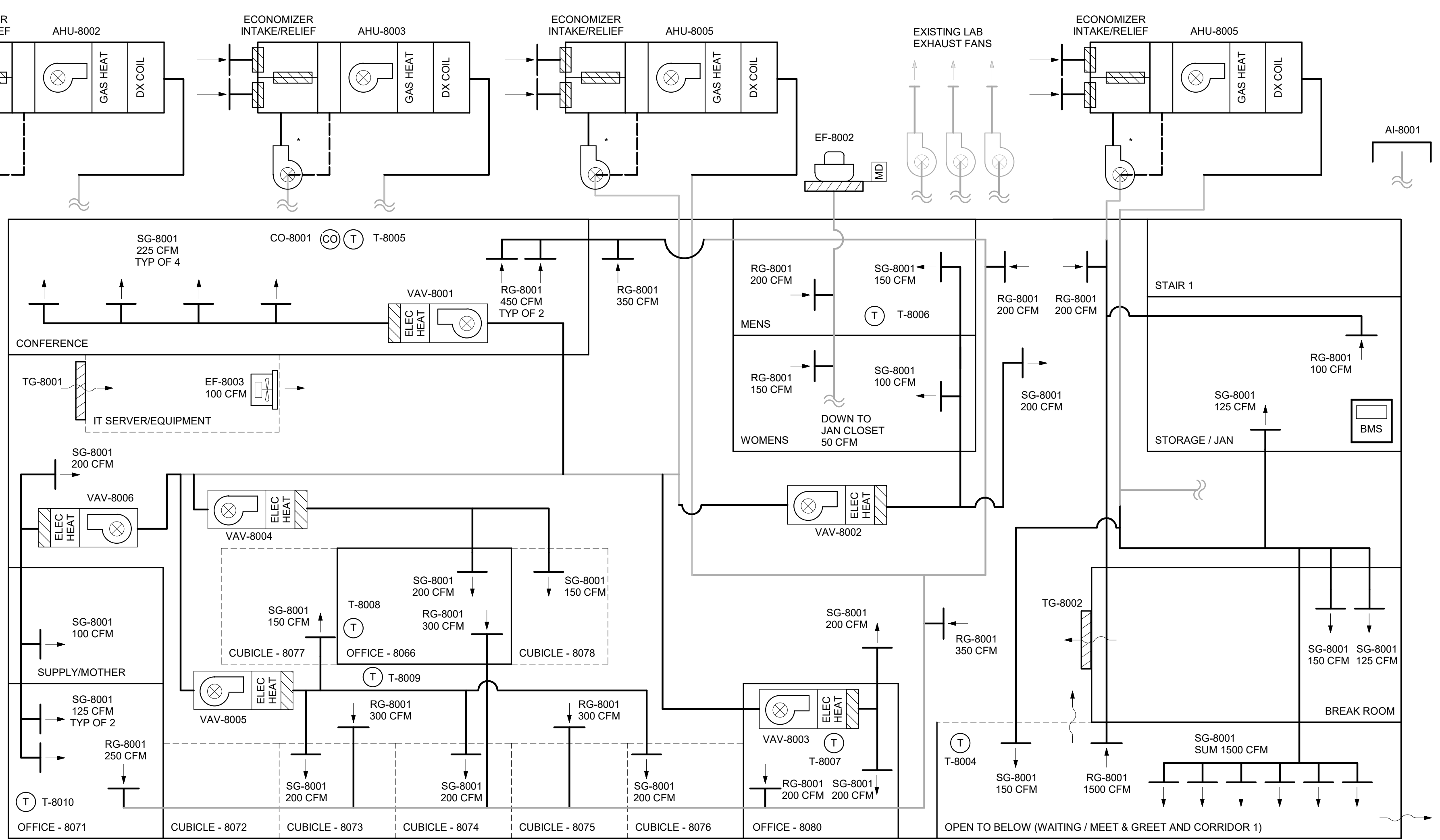
JACK H. WILSON WTP RENEWAL
AND RESILIENCY PROJECT

GENERAL
HVAC
AIRFLOW DIAGRAMS SHEET 2

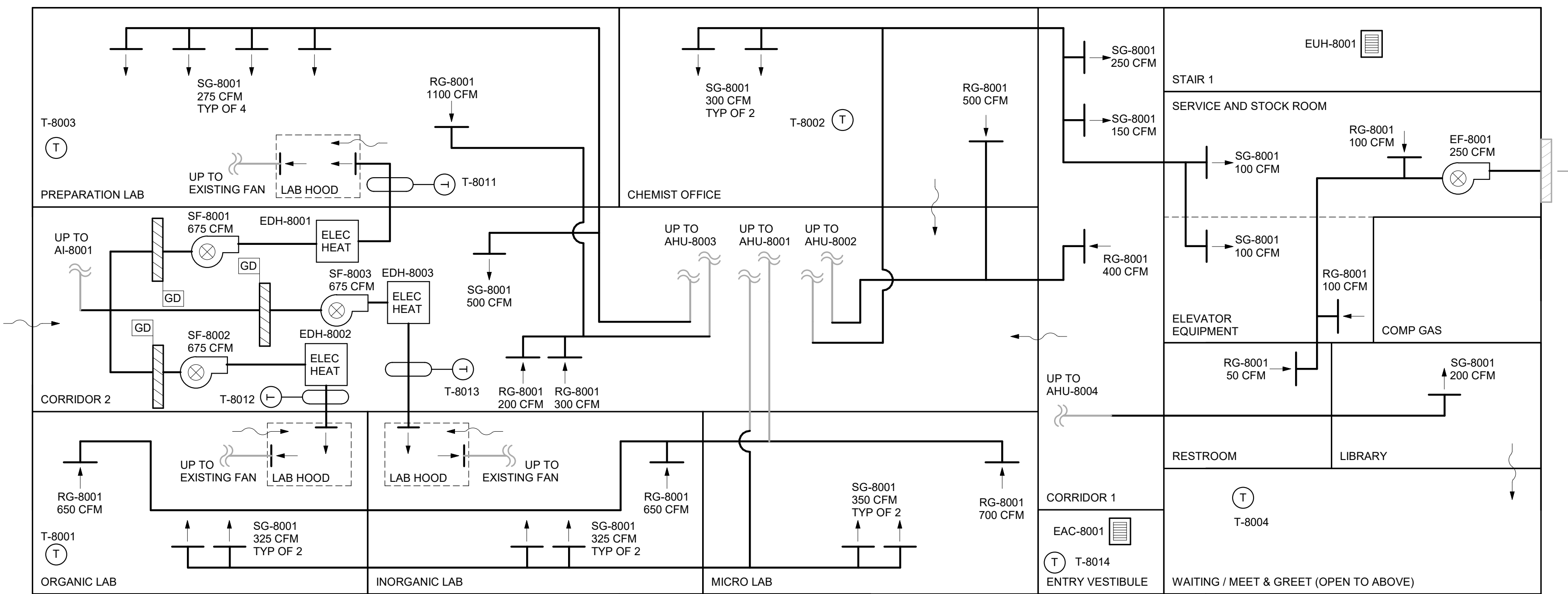
DATE:	NOVEMBER 2024
HAZEN NO.:	60711-003
CONTRACT NO.:	1
DRAWING NUMBER:	H006

- EQUIPMENT:**
- AHU-8001
 - AHU-8002
 - AHU-8003
 - AHU-8004
 - AHU-8005
 - SF-8001
 - SF-8002
 - SF-8003
- SCADA**
- TOUCH SCREEN
- ADMIN BLDG - BMS RISER
- THERMOSTATS:**
- T-8001
 - T-8002
 - T-8003
 - T-8004
 - T-8005
 - T-8006
 - T-8007
 - T-8008
 - T-8009
 - T-8010
 - T-8011
 - T-8012
 - T-8013
- VAV TERMINAL UNITS:**
- VAV-8001
 - VAV-8002
 - VAV-8003
 - VAV-8004
 - VAV-8005
 - VAV-8006
 - VAV-8007
 - VAV-8008

AIRFLOW DIAGRAM - ADMINISTRATION BUILDING - 1ST FLOOR



AIRFLOW DIAGRAM - ADMINISTRATION BUILDING - 2ND FLOOR



GMP SUBMITTAL. DO NOT USE FOR CONSTRUCTION.

Autodesk_Docs\60711-001_Wilson_WTP_Rehab_Files_Basins\60711-003-3000-FB-310B-FVAC-HVAC.rvt 11/20/2024 4:48:38 PM

REV	ISSUED FOR	DATE	BY

PROJECT MANAGER:	T. HUDSON
DESIGNED BY:	T. MONAHAN
DRAWN BY:	B. WILLIAMS
PROJECT ENGINEER:	T. MONAHAN
IF THIS BAR DOES NOT MEASURE 1" THEN DRAWING IS NOT TO FULL SCALE	



Hazen

HAZEN AND SAWYER
8150 N. CENTRAL EXPRESSWAY
TOWER II - SUITE 700
DALLAS, TEXAS 75206

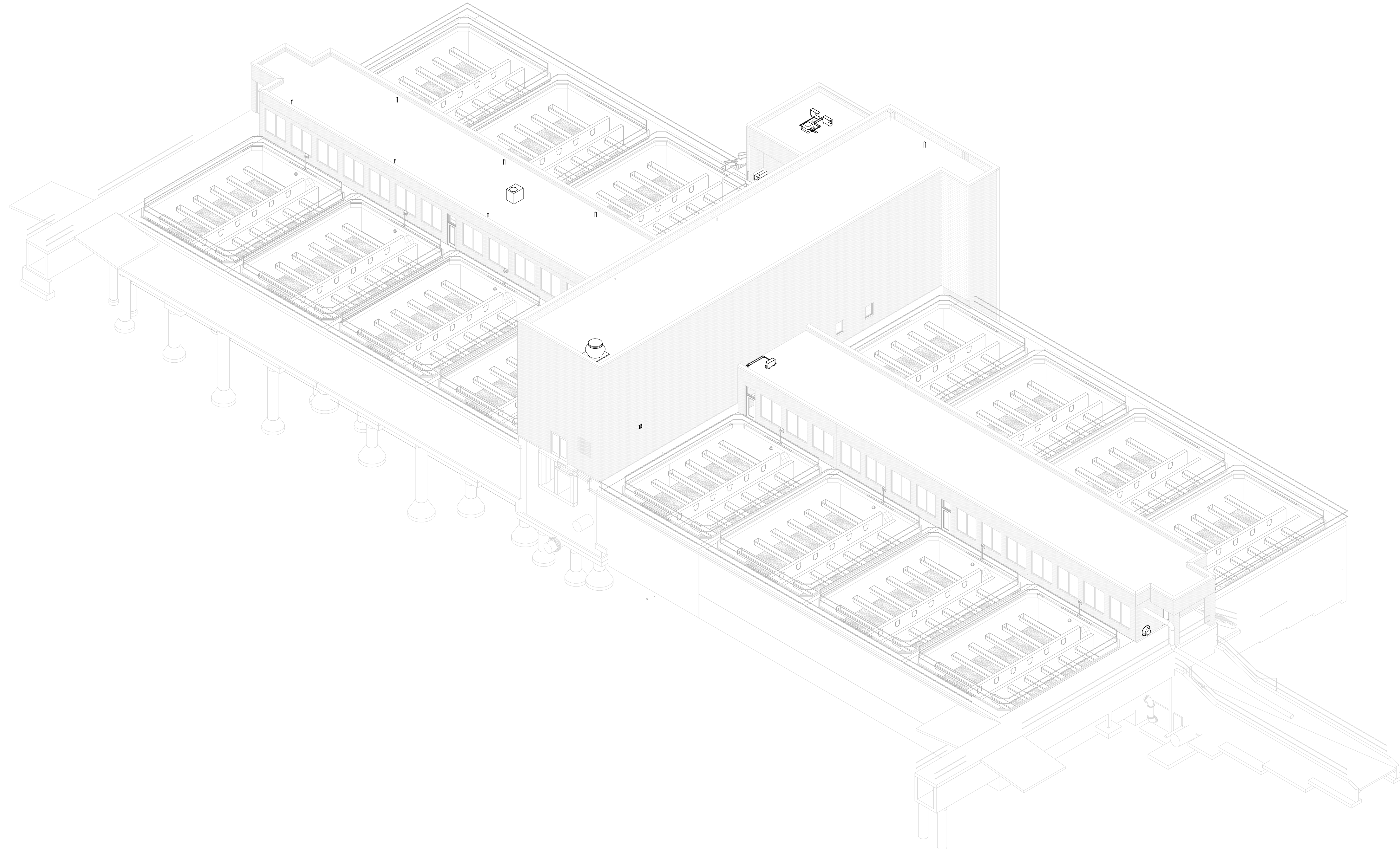
CENTRAL ARKANSAS WATER
LITTLE ROCK, ARKANSAS

JACK H. WILSON WTP RENEWAL
AND RESILIENCY PROJECT

GENERAL
HVAC
AIRFLOW DIAGRAMS SHEET 3

DATE:	NOVEMBER 2024
HAZEN NO.:	60711-003
CONTRACT NO.:	1
DRAWING NUMBER:	H007

NOTES:
 1. ISOMETRIC PLAN SHOWN FOR REFERENCE.



GMP SUBMITTAL. DO NOT USE FOR CONSTRUCTION.

Autodesk Docs:60711-003_Wilson_WTP_Rehab_File_Base:60711-003-3000-FB-310B-FWC-HVAC.rvt
 11/12/2024 4:48:43 PM

REV	ISSUED FOR	DATE	BY

PROJECT MANAGER:	T. HUDSON
DESIGNED BY:	T. MONAHAN
DRAWN BY:	B. WILLIAMS
PROJECT ENGINEER:	T. MONAHAN
IF THIS BAR DOES NOT MEASURE 1" THEN DRAWING IS NOT TO FULL SCALE	



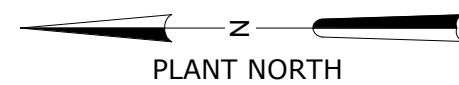
Hazen
 HAZEN AND SAWYER
 8150 N. CENTRAL EXPRESSWAY
 TOWER II - SUITE 700
 DALLAS, TEXAS 75206

CENTRAL ARKANSAS WATER
 LITTLE ROCK, ARKANSAS

JACK H. WILSON WTP RENEWAL
 AND RESILIENCY PROJECT

FILTER BUILDING
 HVAC
 3D ISOMETRIC

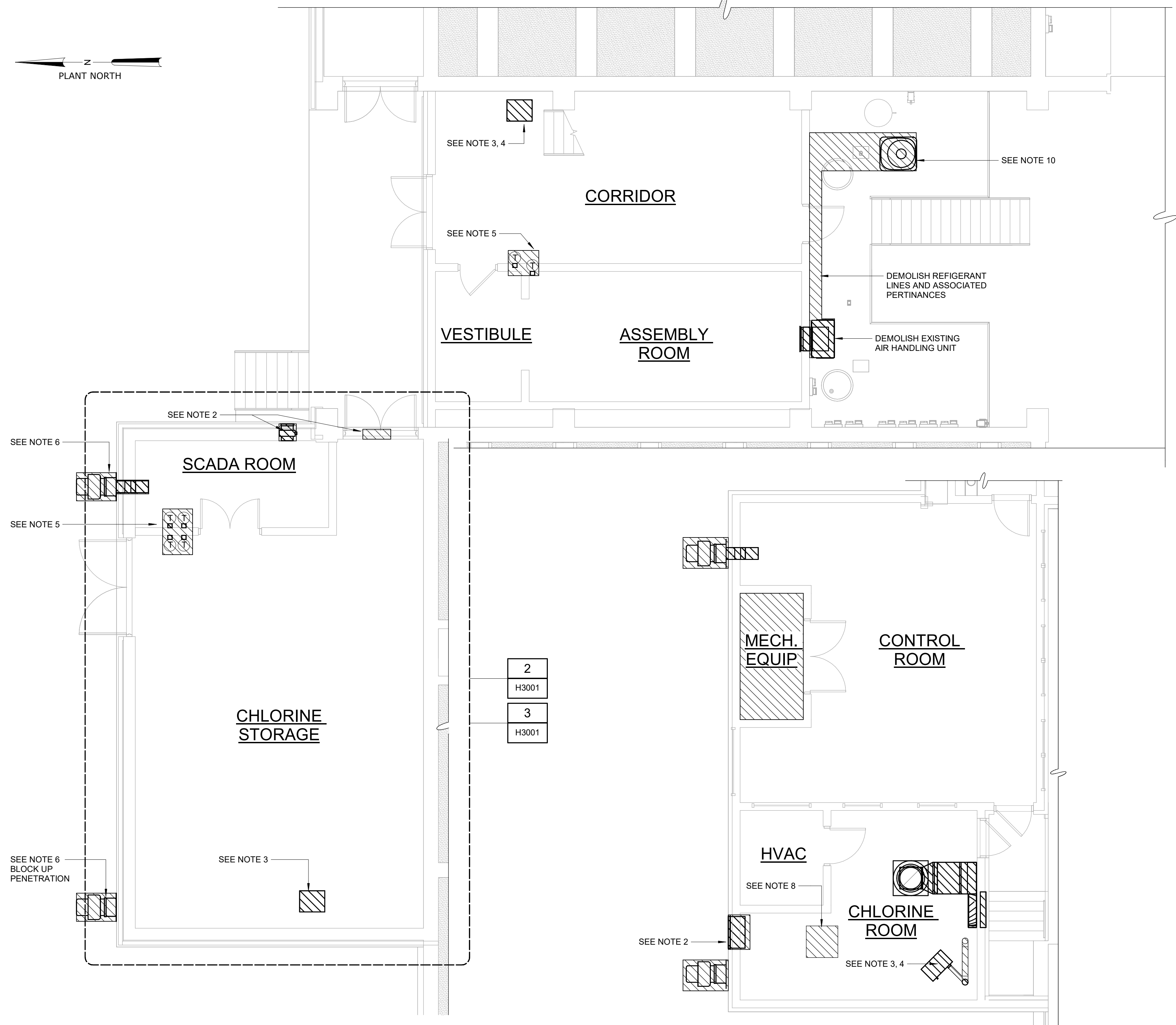
DATE:	NOVEMBER 2024
HAZEN NO.:	60711-003
CONTRACT NO.:	1
DRAWING NUMBER:	H3000



THESE DRAWINGS ARE NOT COMPREHENSIVE AND ARE PROVIDED FOR GENERAL INFORMATION ONLY. THEY ARE INCLUDED AS A REFERENCE TO DEMONSTRATE A GENERAL SCOPE OF STRUCTURES AND EQUIPMENT TO BE IMPROVED.

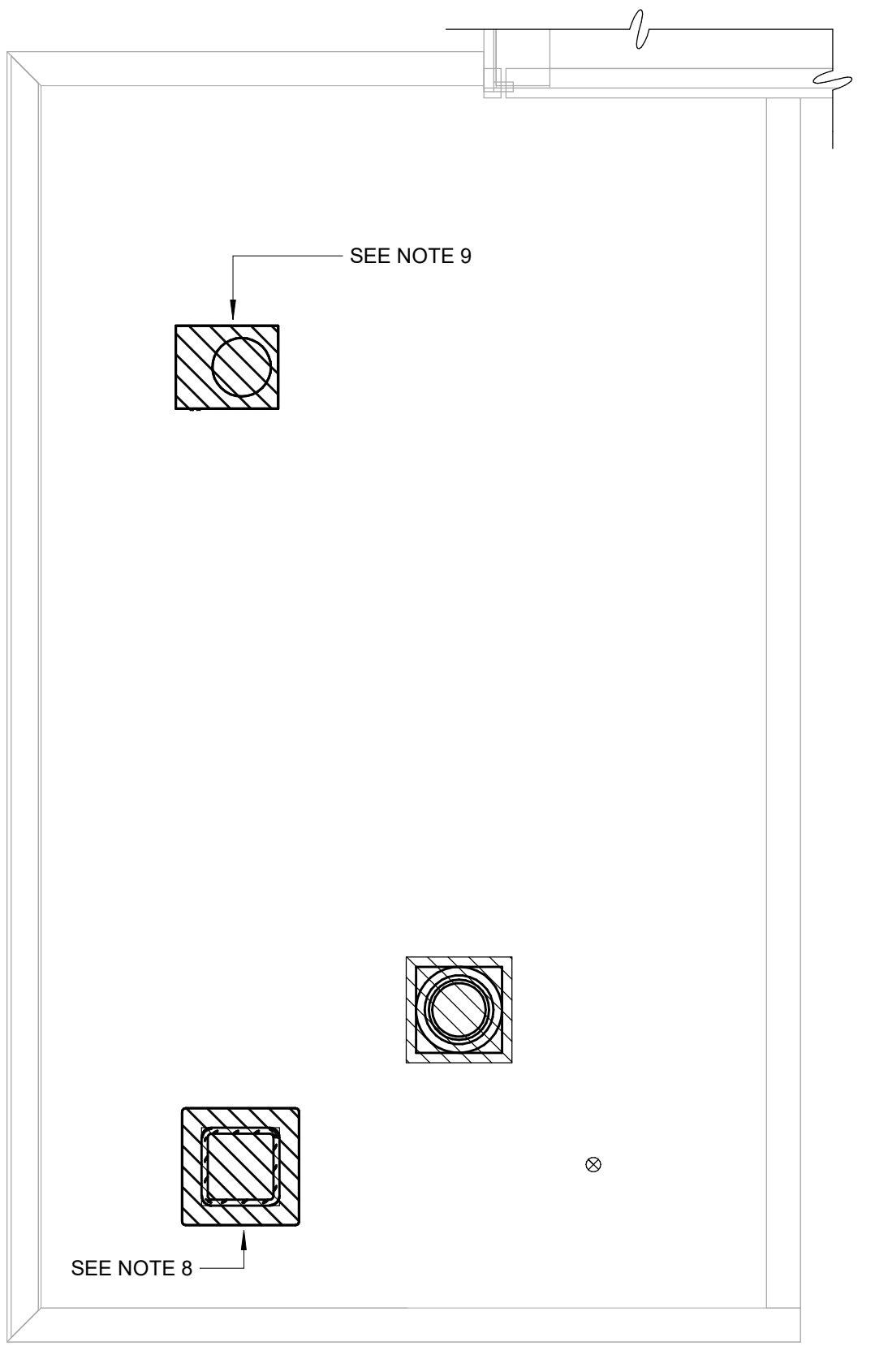
NOTES:

1. CONTRACTOR SHALL FIELD VERIFY ALL EXISTING DUCTWORK AND ASSOCIATED APPURTENANCES. CONTRACTOR SHALL REMOVE AND DEMOLISH ALL DUCTWORK AND EQUIPMENT.
2. PLANS ARE BASED ON RECORD DRAWINGS AND DO NOT INDICATE ALL POTENTIAL CONFLICTS. CONTRACTOR SHALL NOTIFY ENGINEER OF SIGNIFICANT DIFFERENCES BETWEEN EXISTING CONDITIONS AND PLANS.
3. DEMOLISH GAS FIRED HEATER AND FLUE UP TO 3RD FLOOR CEILING/ROOFLINE. SEAL OPENING IN CONCRETE FLOOR.
4. DEMOLISH NATURAL GAS CONNECTION AND PIPING. CAP NG PIPE.
5. DEMOLISH THERMOSTAT.
6. DEMOLISH FAN.
7. SEE PLUMBING PLANS FOR CW, HW, WTC. DEMOLITION.
8. REMOVE EXISTING EQUIPMENT. CAP ROOF OPENING.
9. DEMOLISH ROOFTOP CONDENSING UNIT. REUSE REFRIGERANT ROOF OPENING.
10. DEMOLISH ALL SPLIT SYSTEM EQUIPMENT, AIR REGISTERS, DUCTWORK, REFRIGERANT PIPING, AND CONDENSATE PIPING IN THE PIPE GALLERY.

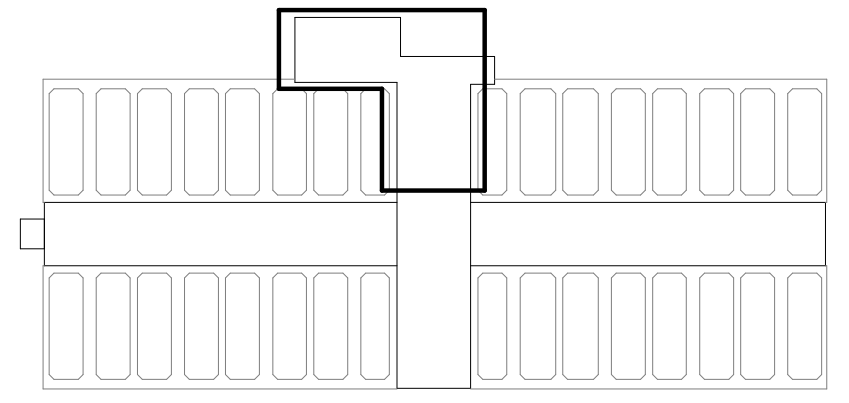


PARTIAL BOTTOM PLAN - DEMOLITION
3/16" = 1'-0"

2 PARTIAL INTERMEDIATE PLAN - CROSS GALLERY - DEMOLITION
3/16" = 1'-0"



3 PARTIAL ROOF PLAN - CROSS GALLERY - DEMOLITION
3/16" = 1'-0"



GMP SUBMITTAL. DO NOT USE FOR CONSTRUCTION.

Autodesk_Docs\60711-001_Wilson_WTP_Rehab_Filter_Building\60711-003-3000-FB-3100-FW-C-HVAC.dwg 11/20/2024 4:48:45 PM

REV	ISSUED FOR	DATE	BY

PROJECT MANAGER:	T. HUDSON
DESIGNED BY:	T. MONAHAN
DRAWN BY:	B. WILLIAMS
PROJECT ENGINEER:	T. MONAHAN
IF THIS BAR DOES NOT MEASURE 1" THEN DRAWING IS NOT TO FULL SCALE	



Hazen
HAZEN AND SAWYER
8150 N. CENTRAL EXPRESSWAY
TOWER II - SUITE 700
DALLAS, TEXAS 75206

CENTRAL ARKANSAS WATER
LITTLE ROCK, ARKANSAS

JACK H. WILSON WTP RENEWAL
AND RESILIENCY PROJECT

FILTER BUILDING
HVAC
DEMOLITION - GROUND & SECOND FLOOR PARTIAL
PLANS

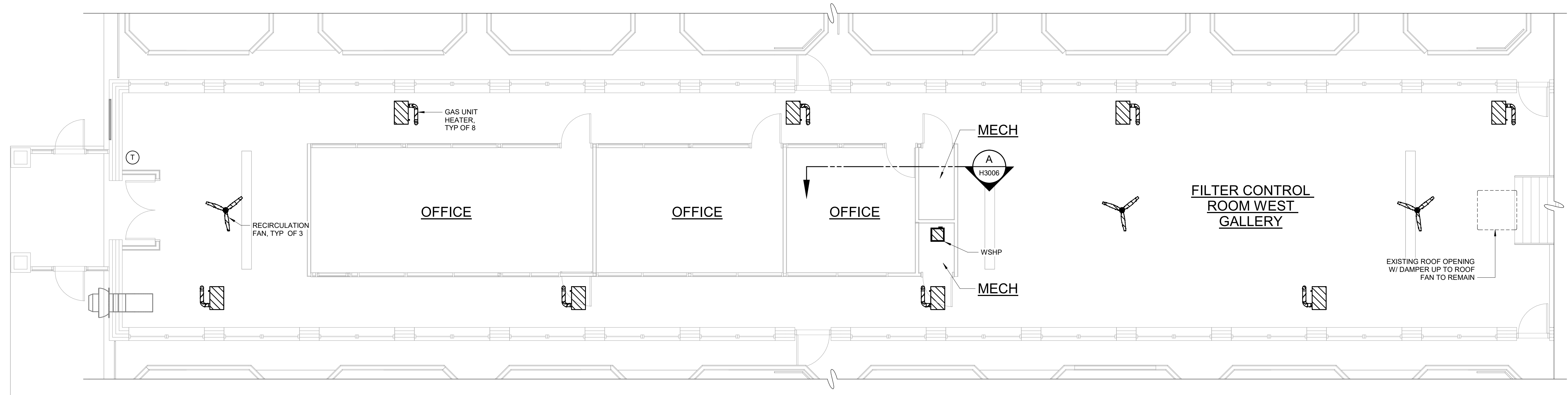
DATE:	NOVEMBER 2024
HAZEN NO.:	60711-003
CONTRACT NO.:	1
DRAWING NUMBER:	H3001



THESE DRAWINGS ARE NOT COMPREHENSIVE AND ARE PROVIDED FOR GENERAL INFORMATION ONLY. THEY ARE INCLUDED AS A REFERENCE TO DEMONSTRATE A GENERAL SCOPE OF STRUCTURES AND EQUIPMENT TO BE IMPROVED.

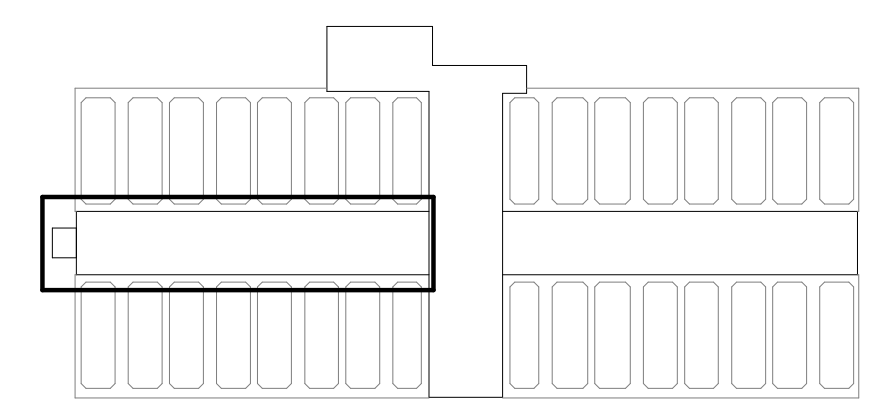
NOTES:

1. CONTRACTOR SHALL FIELD VERIFY ALL EXISTING DUCTWORK AND ASSOCIATED APPURTENANCES. CONTRACTOR SHALL REMOVE AND DEMOLISH ALL DUCTWORK AND EQUIPMENT.
2. PLANS ARE BASED ON RECORD DRAWINGS AND DO NOT INDICATE ALL POTENTIAL CONFLICTS. CONTRACTOR SHALL NOTIFY ENGINEER OF SIGNIFICANT DIFFERENCES BETWEEN EXISTING CONDITIONS AND PLANS.
3. DEMOLISH NATURAL GAS CONNECTION AND PIPING BACK TO BRANCH TAKEOFF. CAP NG PIPE FOR REUSE.
4. DEMOLISH ALL GAS UNIT HEATERS, RECIRCULATION FANS, WATER SOURCE HEAT PUMPS & ASSOCIATED DUCTWORK, WSHP PIPING, REMOTE THERMOSTATS, AND REGISTERS ON THIS FLOOR.



ENLARGED INTERMEDIATE PLAN - WEST GALLERY - DEMOLITION

3/16" = 1'-0"

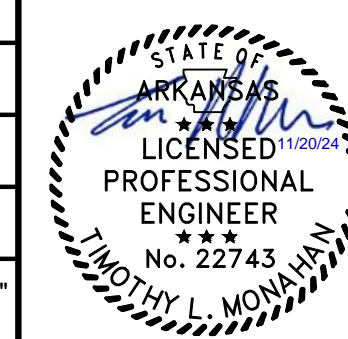


GMP SUBMITTAL. DO NOT USE FOR CONSTRUCTION.

Autodesk_Docs\60711-001_Wilson_WTP_Rehab_Filter_Basins\60711-003-3000-FB-3100-FWC-HVAC.rvt 11/20/2024 4:48:47 PM

REV	ISSUED FOR	DATE	BY

PROJECT MANAGER:	T. HUDSON
DESIGNED BY:	T. MONAHAN
DRAWN BY:	B. WILLIAMS
PROJECT ENGINEER:	T. MONAHAN
IF THIS BAR DOES NOT MEASURE 1" THEN DRAWING IS NOT TO FULL SCALE	



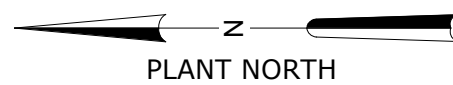
Hazen
HAZEN AND SAWYER
8150 N. CENTRAL EXPRESSWAY
TOWER II - SUITE 700
DALLAS, TEXAS 75206

CENTRAL ARKANSAS WATER
LITTLE ROCK, ARKANSAS

JACK H. WILSON WTP RENEWAL
AND RESILIENCY PROJECT

FILTER BUILDING
HVAC
DEMOLITION - SECOND FLOOR PARTIAL PLAN -
WEST GALLERY

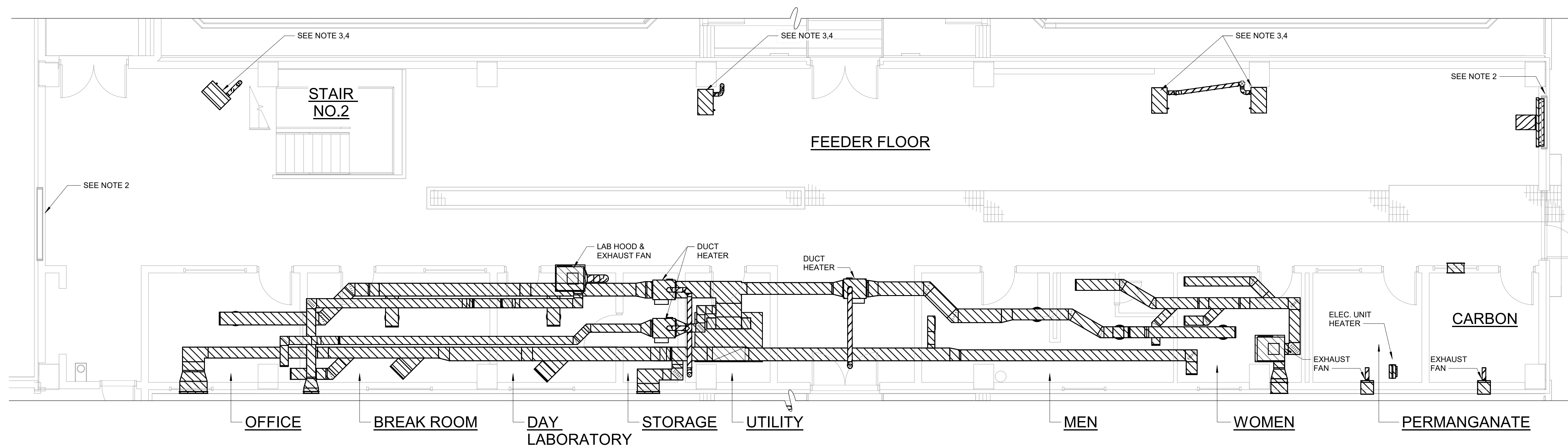
DATE:	NOVEMBER 2024
HAZEN NO.:	60711-003
CONTRACT NO.:	1
DRAWING NUMBER:	H3002



THESE DRAWINGS ARE NOT COMPREHENSIVE AND ARE PROVIDED FOR GENERAL INFORMATION ONLY. THEY ARE INCLUDED AS A REFERENCE TO DEMONSTRATE A GENERAL SCOPE OF STRUCTURES AND EQUIPMENT TO BE IMPROVED.

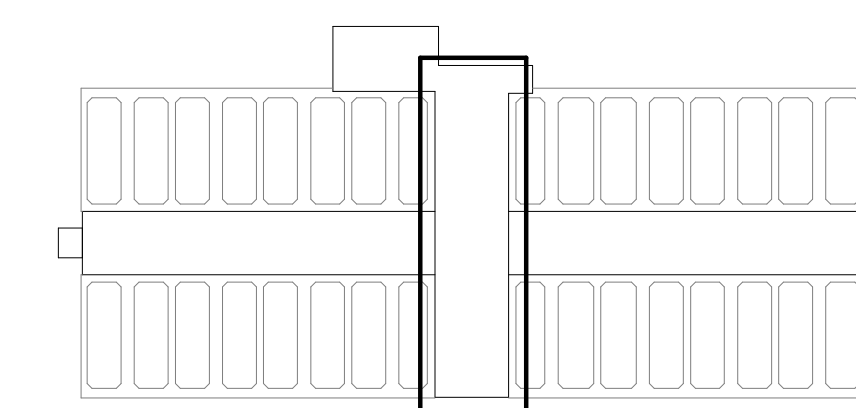
NOTES:

1. CONTRACTOR SHALL FIELD VERIFY ALL EXISTING DUCTWORK AND ASSOCIATED APPURTENANCES. CONTRACTOR SHALL REMOVE AND DEMOLISH ALL DUCTWORK AND EQUIPMENT.
2. DEMOLISH LOUVER AND DAMPER. WALL OPENING SHALL BE FILLED IN. SEE ARCH SHEETS.
3. DEMOLISH GAS FIRED HEATERS AND FLUES UP TO 3RD FLOOR CEILING/ROOFLINE. SEAL OPENING IN ROOF AND CONCRETE FLOOR.
4. DEMOLISH NATURAL GAS CONNECTION AND PIPING BACK TO BRANCH TAKEOFF. CAP NG PIPE. SEE PLUMBING PLANS.
5. DEMOLISH ALL HVAC EQUIPMENT, DUCTWORK, REGISTERS, THERMOSTATS, FANS, DAMPERS, ETC. ON THIS FLOOR.
6. DEMOLISH ALL AIR HANDLER, REFRIGERANT PIPING, CONDENSATE PIPING, EXTERIOR MOUNTED CONDENSING UNITS ETC. ON THIS LEVEL AND ADJACENT ROOFLINE.
7. SEE PLUMBING PLANS FOR CW, HW, WTC. DEMOLITION.
8. PLANS ARE BASED ON RECORD DRAWINGS AND DO NOT INDICATE ALL POTENTIAL CONFLICTS. CONTRACTOR SHALL NOTIFY ENGINEER OF SIGNIFICANT DIFFERENCES BETWEEN EXISTING CONDITIONS AND PLANS.



PARTIAL INTERMEDIATE PLAN - FEEDER ROOM - DEMOLITION

3/16" = 1'-0"

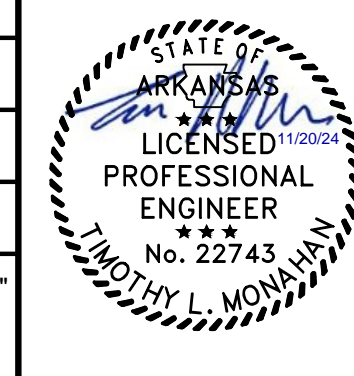


GMP SUBMITTAL. DO NOT USE FOR CONSTRUCTION.

Autodesk_Docs\60711-003-Wilson_WTP_Rehab_Filter_Build\60711-003-3000-FB-3100-FWC-HVAC.rvt 11/12/2024 4:48:48 PM

REV	ISSUED FOR	DATE	BY

PROJECT MANAGER:	T. HUDSON
DESIGNED BY:	T. MONAHAN
DRAWN BY:	B. WILLIAMS
PROJECT ENGINEER:	T. MONAHAN
IF THIS BAR DOES NOT MEASURE 1" THEN DRAWING IS NOT TO FULL SCALE	



Hazen

HAZEN AND SAWYER
8150 N. CENTRAL EXPRESSWAY
TOWER II - SUITE 700
DALLAS, TEXAS 75206

CENTRAL ARKANSAS WATER
LITTLE ROCK, ARKANSAS

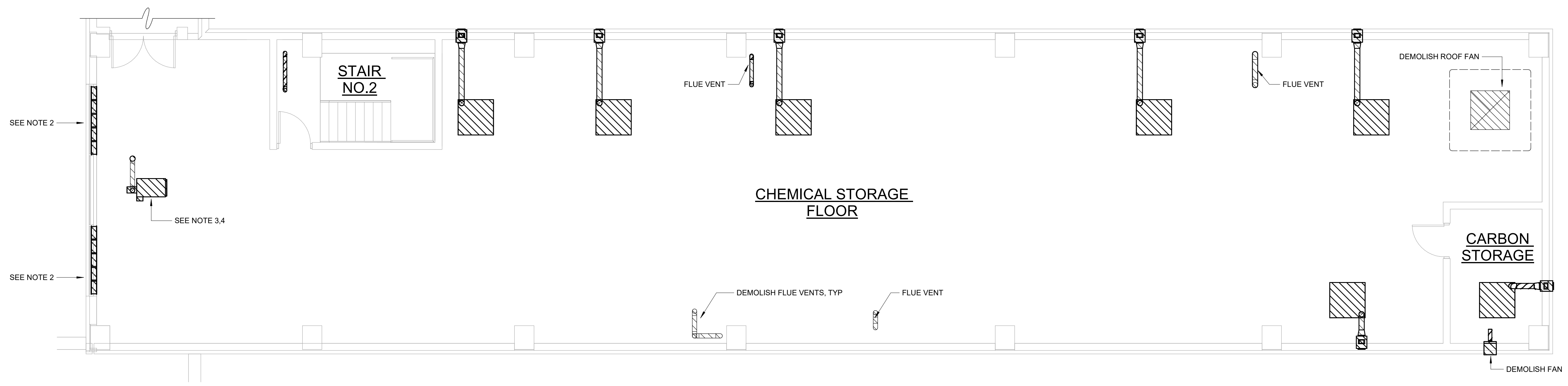
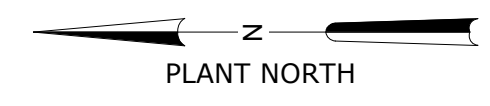
JACK H. WILSON WTP RENEWAL
AND RESILIENCY PROJECT

FILTER BUILDING
HVAC
DEMOLITION - SECOND FLOOR PARTIAL PLAN -
FEEDER ROOM

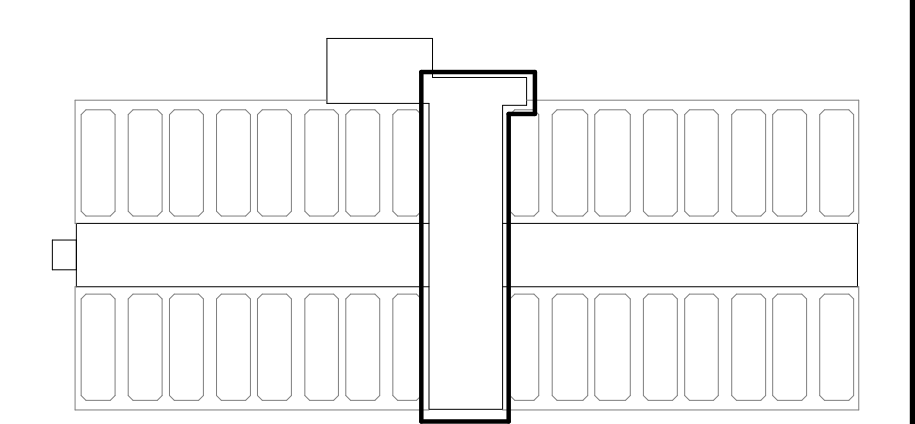
DATE:	NOVEMBER 2024
HAZEN NO.:	60711-003
CONTRACT NO.:	1
DRAWING NUMBER:	H3003

THESE DRAWINGS ARE NOT COMPREHENSIVE AND ARE PROVIDED FOR GENERAL INFORMATION ONLY. THEY ARE INCLUDED AS A REFERENCE TO DEMONSTRATE A GENERAL SCOPE OF STRUCTURES AND EQUIPMENT TO BE IMPROVED.

- NOTES:**
1. CONTRACTOR SHALL FIELD VERIFY ALL EXISTING DUCTWORK AND ASSOCIATED APPURTENANCES. CONTRACTOR SHALL REMOVE AND DEMOLISH ALL DUCTWORK AND EQUIPMENT.
 2. DEMOLISH LOUVERS, DAMPERS, AND FILTERS.
 3. DEMOLISH GAS FIRED HEATER. DEMOLISH FLUE TO EXTERIOR. WEATHERSEAL UNUSED OPENINGS.
 4. DEMOLISH NATURAL GAS CONNECTION AND PIPING. CAP NG PIPE. SEE PLUMBING PLANS.
 5. PLANS ARE BASED ON RECORD DRAWINGS AND DO NOT INDICATE ALL POTENTIAL CONFLICTS. CONTRACTOR SHALL NOTIFY ENGINEER OF SIGNIFICANT DIFFERENCES BETWEEN EXISTING CONDITIONS AND PLANS.



TOP FLOOR - CROSS GALLERY - DEMOLITION
3/16" = 1'-0"



GMP SUBMITTAL. DO NOT USE FOR CONSTRUCTION.

Autodesk_Docs\60711-001_Wilson_WTP_Rehab_Filter_Basins\60711-003-3000-FB-3100-FWC-HVAC.rvt 11/20/2024 4:48:48 PM

REV	ISSUED FOR	DATE	BY

PROJECT MANAGER:	T. HUDSON
DESIGNED BY:	T. MONAHAN
DRAWN BY:	B. WILLIAMS
PROJECT ENGINEER:	T. MONAHAN
IF THIS BAR DOES NOT MEASURE 1" THEN DRAWING IS NOT TO FULL SCALE	



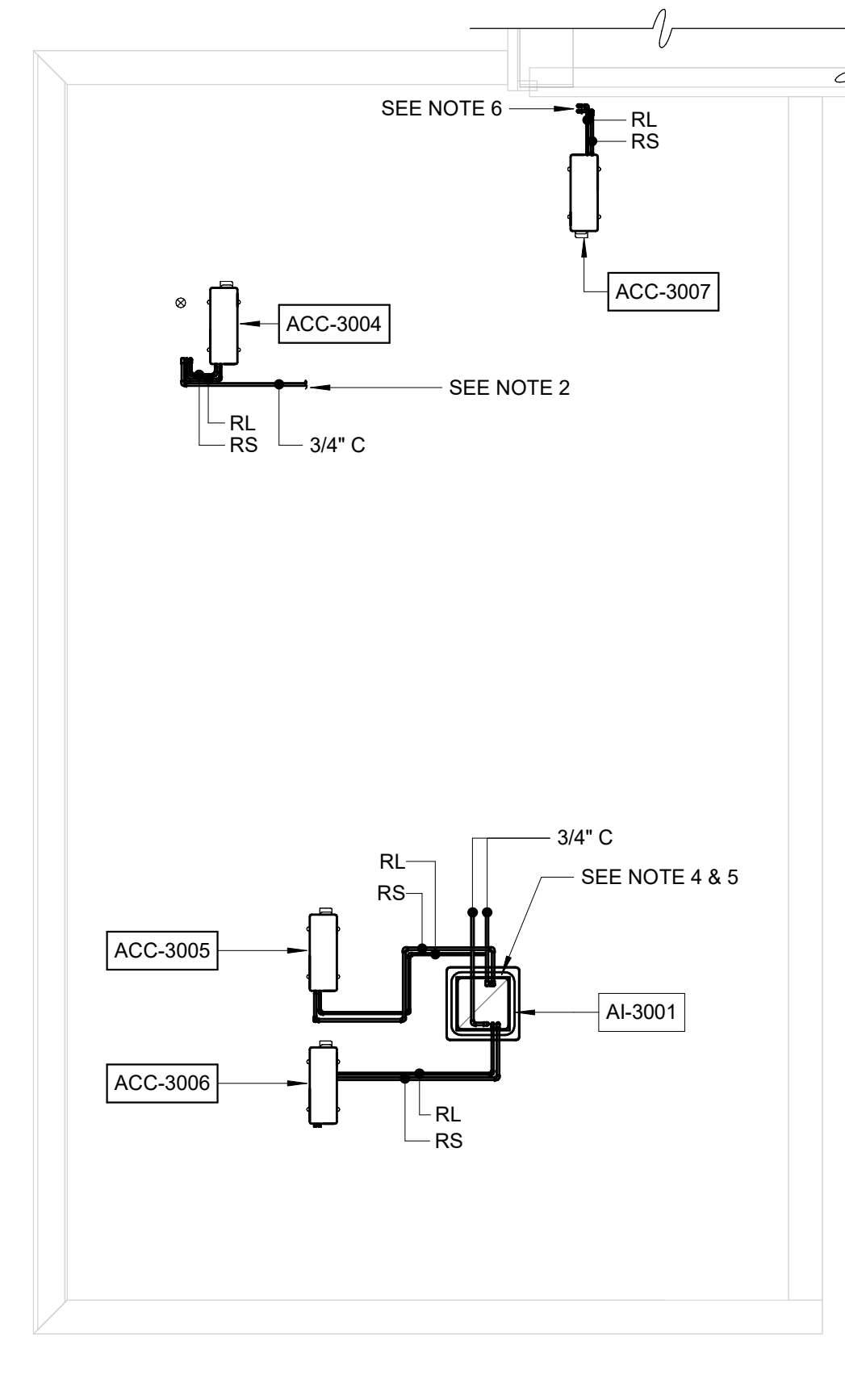
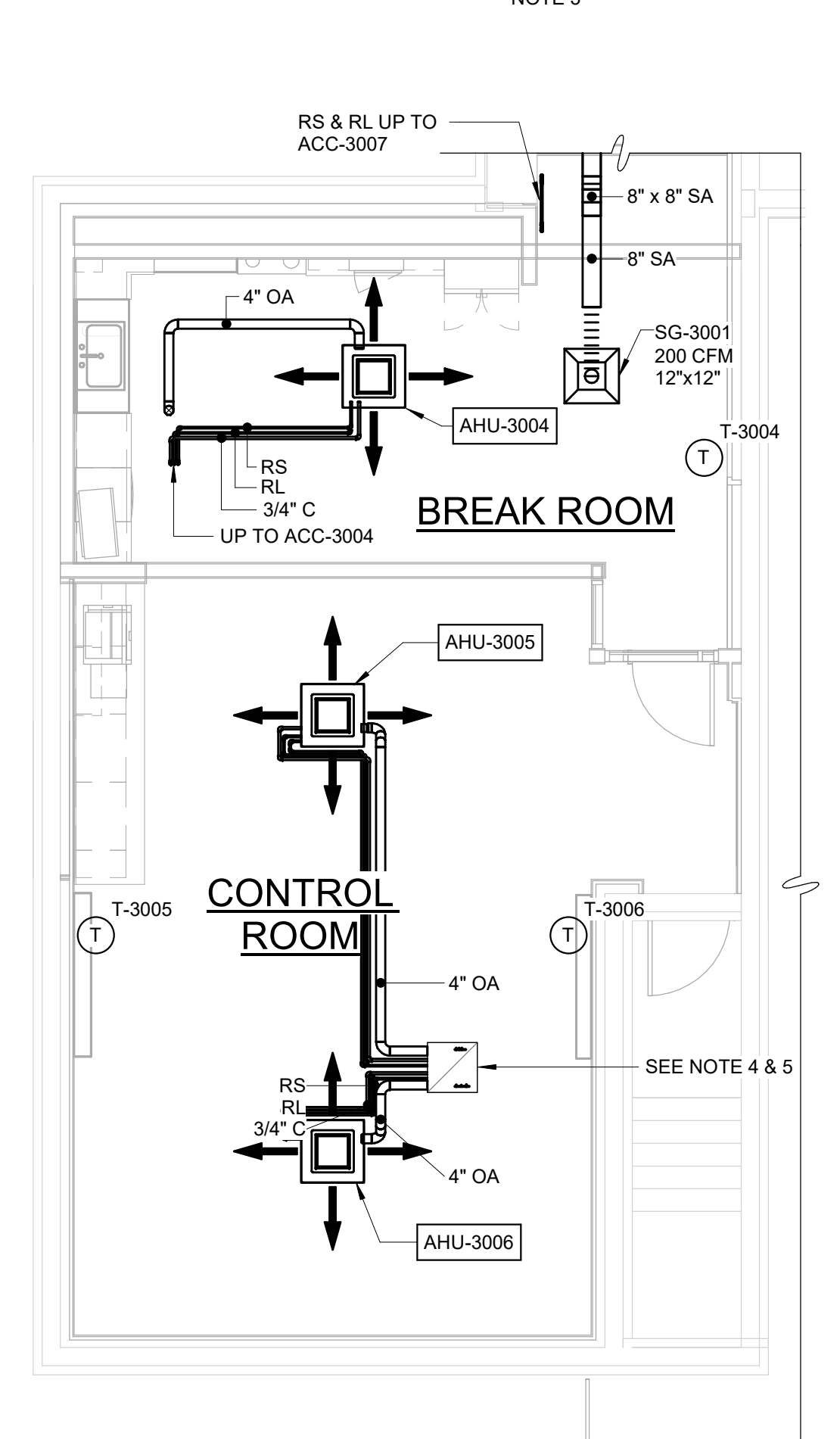
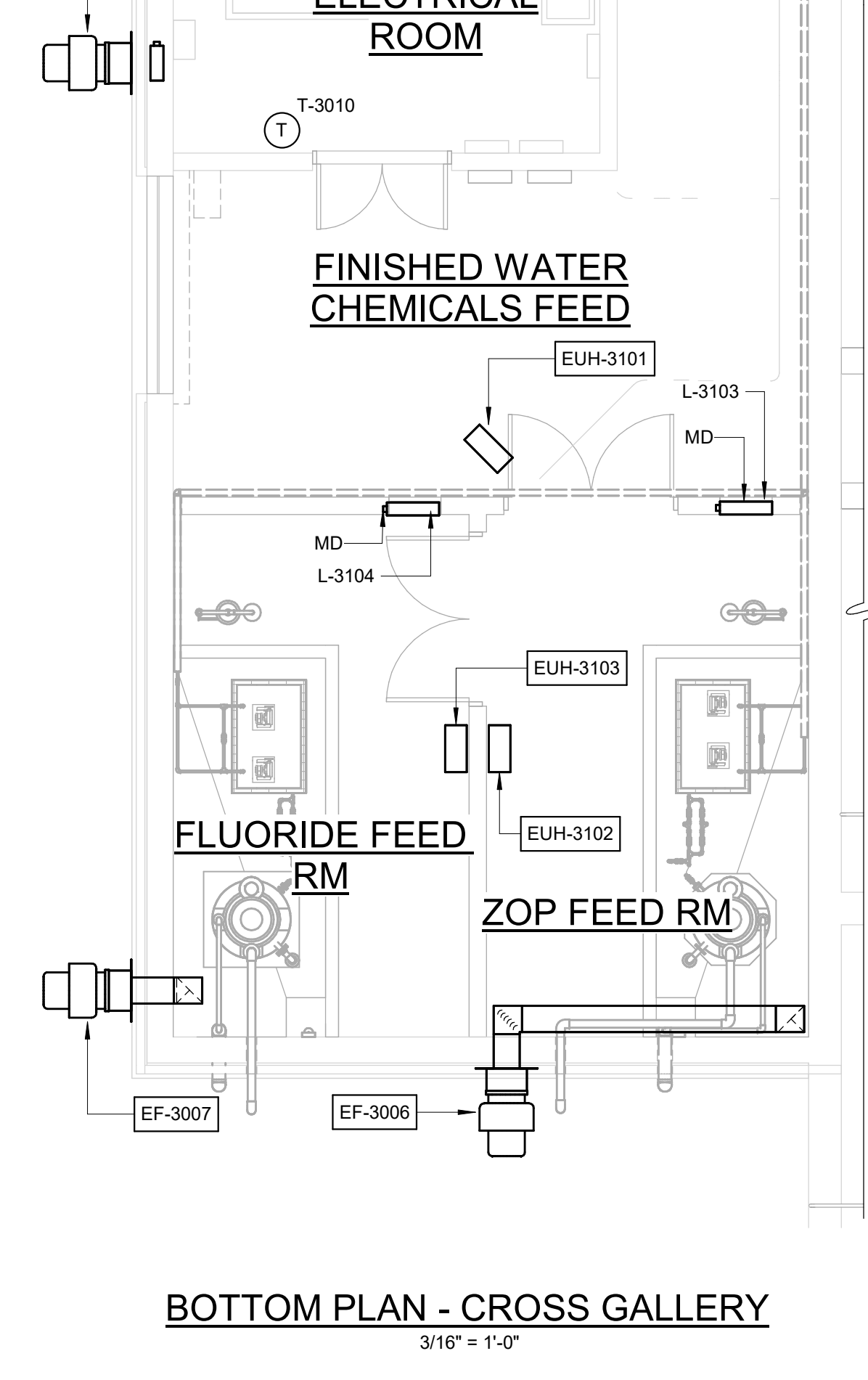
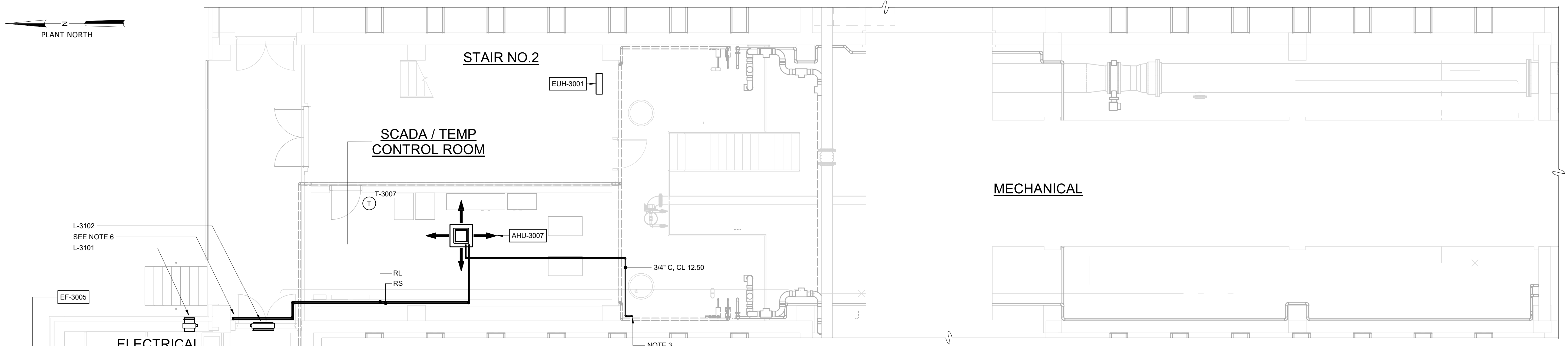
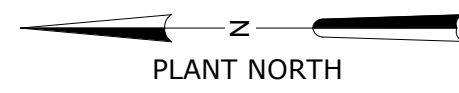
Hazen
HAZEN AND SAWYER
8150 N. CENTRAL EXPRESSWAY
TOWER II - SUITE 700
DALLAS, TEXAS 75206

CENTRAL ARKANSAS WATER
LITTLE ROCK, ARKANSAS

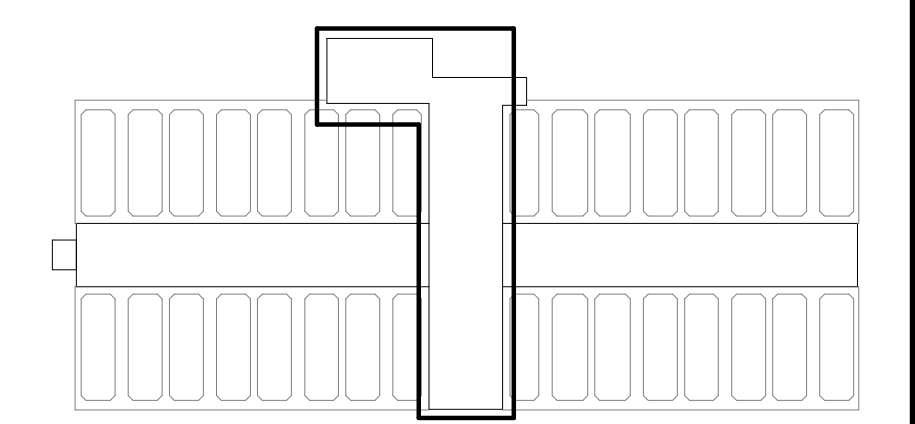
JACK H. WILSON WTP RENEWAL
AND RESILIENCY PROJECT

FILTER BUILDING
HVAC
DEMOLITION - THIRD FLOOR PLAN

DATE:	NOVEMBER 2024
HAZEN NO.:	60711-003
CONTRACT NO.:	1
DRAWING NUMBER:	H3004



- NOTES:**
- CONTRACTOR SHALL FIELD VERIFY ALL EXISTING OPENINGS REUSED.
 - ROUTE CONDENSATE DRAIN TO NEAREST ROOF DRAIN.
 - RECONNECT NEW CONDENSATE PIPING TO EXISTING CONDENSATE DRAIN.
 - HOODED AIR INTAKE ON ROOF. INTERIOR OPENING SHALL BE BLANKED OFF WITH INSULATED SAFING. SEAL WEATHER TIGHT. (2) 4" DUCT PENETRATIONS SUPPLYING VENTILATION AIR TO THE CONTROL ROOM. PUMPED CONDENSATE LINES ROUTED UP TO ROOF DRAINS. ALL REFRIGERANT LINES ROUTED UP TO ROOFTOP CONDENSING UNITS.
 - REFRIGERANT LINES ROUTED TO CONDENSING EQUIPMENT ON ROOF.
 - ROUTE REFRIGERANT LINES DOWN EXTERIOR WALL FOR AHU-3007. PROVIDE MANUFACTURER RECOMMENDED LOOPS/TRAPS IN THE REFRIGERANT PIPING.



Autodesk_DocSet/60711-001_Wilson_WTP_Renewal_Filter_Building/60711-003-3000-FB-3100-FW-C-HVAC.rvt
11/12/2024 4:48:50 PM

REV	ISSUED FOR	DATE	BY

PROJECT MANAGER:	T. HUDSON
DESIGNED BY:	T. MONAHAN
DRAWN BY:	B. WILLIAMS
PROJECT ENGINEER:	T. MONAHAN
IF THIS BAR DOES NOT MEASURE 1" THEN DRAWING IS NOT TO FULL SCALE	



PARTIAL INTERMEDIATE PLAN - CROSS GALLERY
3/16" = 1'-0"

Hazen
HAZEN AND SAWYER
8150 N. CENTRAL EXPRESSWAY
TOWER II - SUITE 700
DALLAS, TEXAS 75206

CENTRAL ARKANSAS WATER
LITTLE ROCK, ARKANSAS
JACK H. WILSON WTP RENEWAL
AND RESILIENCY PROJECT

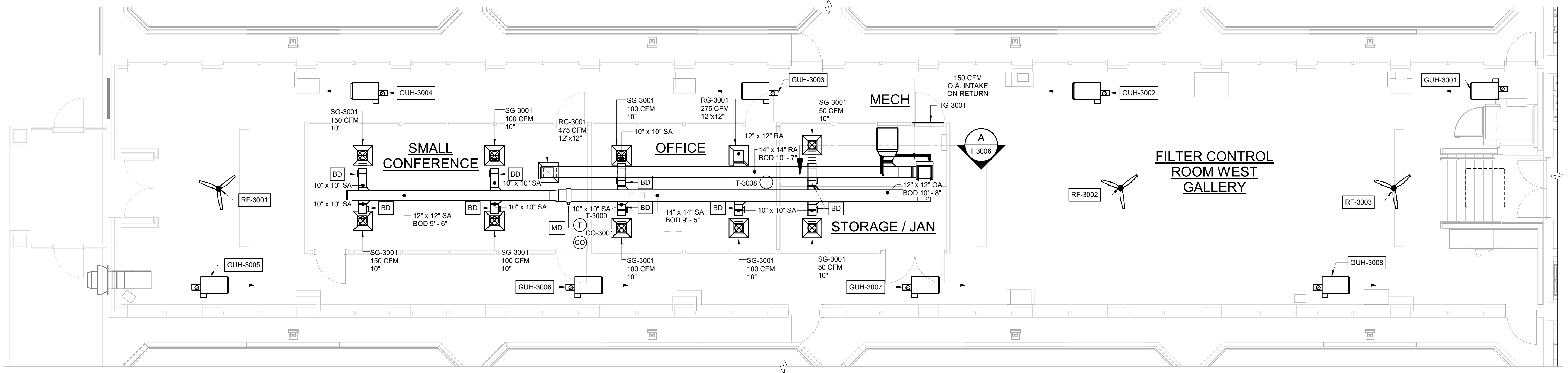
FILTER BUILDING
HVAC
GROUND FLOOR & SECOND FLOOR PARTIAL
PLANS

DATE:	NOVEMBER 2024
HAZEN NO.:	60711-003
CONTRACT NO.:	1
DRAWING NUMBER:	H3005

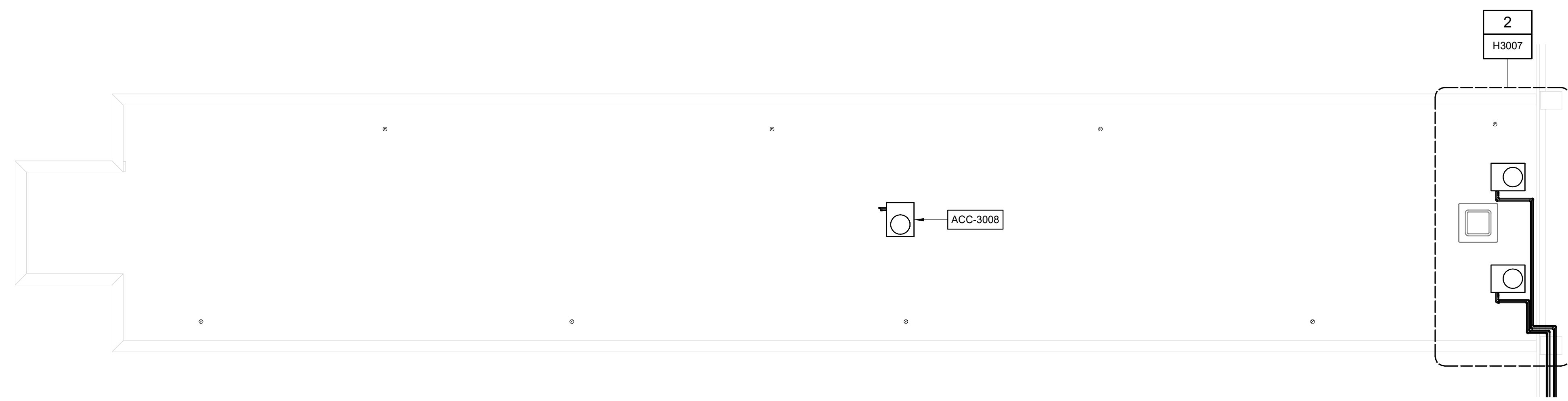
GMP SUBMITTAL. DO NOT USE FOR CONSTRUCTION.



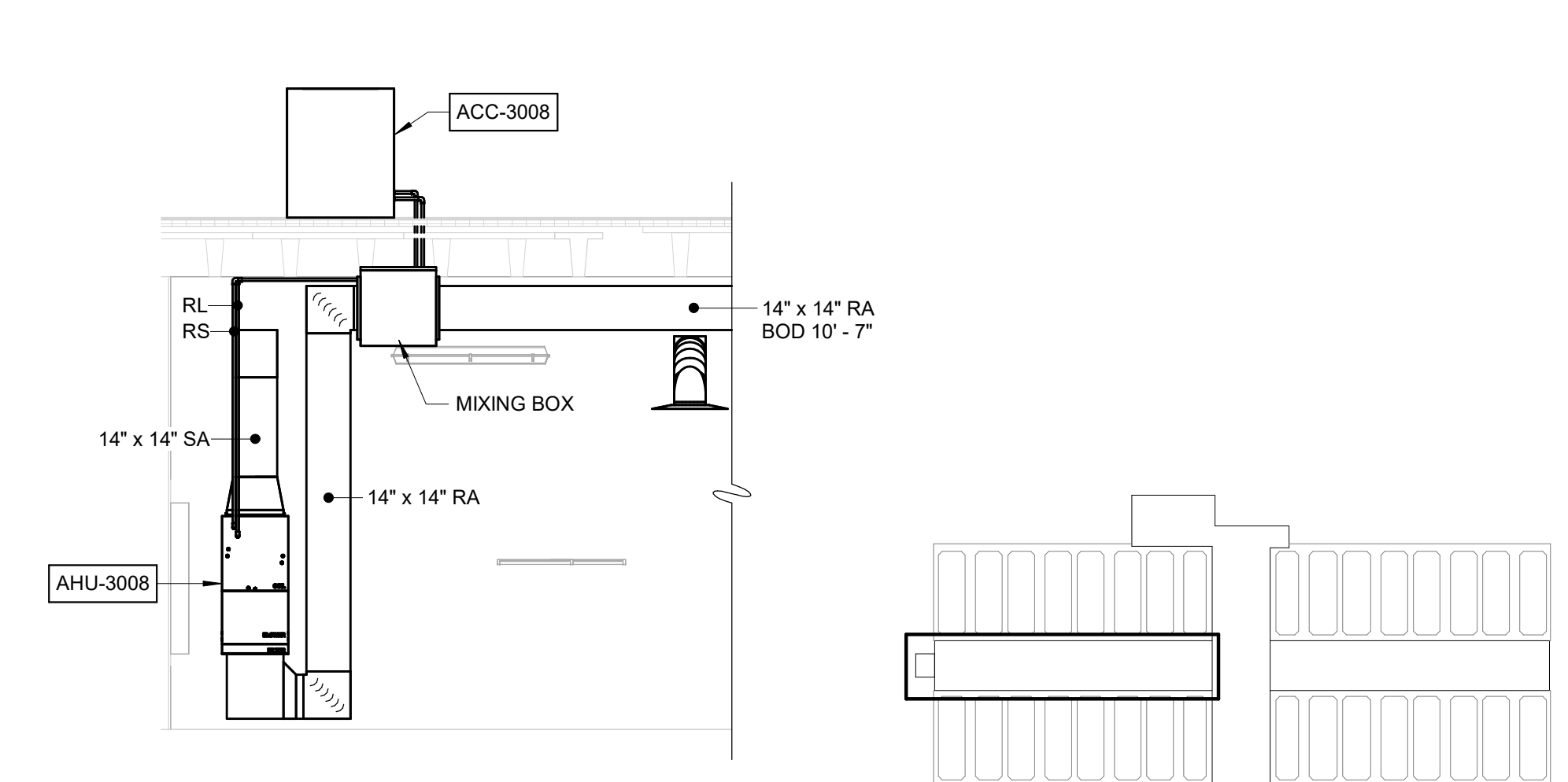
- NOTES:**
- DO NOT ROUTE DUCTWORK, REFRIGERANT, OR CONDENSATE LINES ABOVE ELECTRICAL EQUIPMENT.
 - ROUTE GAS UNIT HEATER CONCENTRIC FLUE AND VENT THROUGH EXISTING ROOF OPENNINGS.
 - MOUNT GAS UNIT HEATERS 12" BELOW DOUBLE TEE ROOFING.



PARTIAL INTERMEDIATE PLAN - WEST GALLERY
3/16" = 1'-0"



PARTIAL ROOF PLAN - WEST GALLERY
1/8" = 1'-0"



SECTION A
1/4" = 1'-0"

GMP SUBMITTAL. DO NOT USE FOR CONSTRUCTION.

Autodesk_Docs\60711-001_Wilson_WTP_Rehab_Files_Basins\60711-003-3000-FB-3100-FW-C-HVAC.rvt 11/20/24 4:48:51 PM

REV	ISSUED FOR	DATE	BY

PROJECT MANAGER:	T. HUDSON
DESIGNED BY:	T. MONAHAN
DRAWN BY:	B. WILLIAMS
PROJECT ENGINEER:	T. MONAHAN



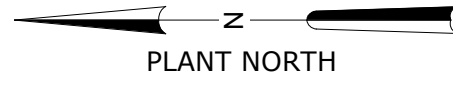
Hazen
HAZEN AND SAWYER
8150 N. CENTRAL EXPRESSWAY
TOWER II - SUITE 700
DALLAS, TEXAS 75206

CENTRAL ARKANSAS WATER
LITTLE ROCK, ARKANSAS

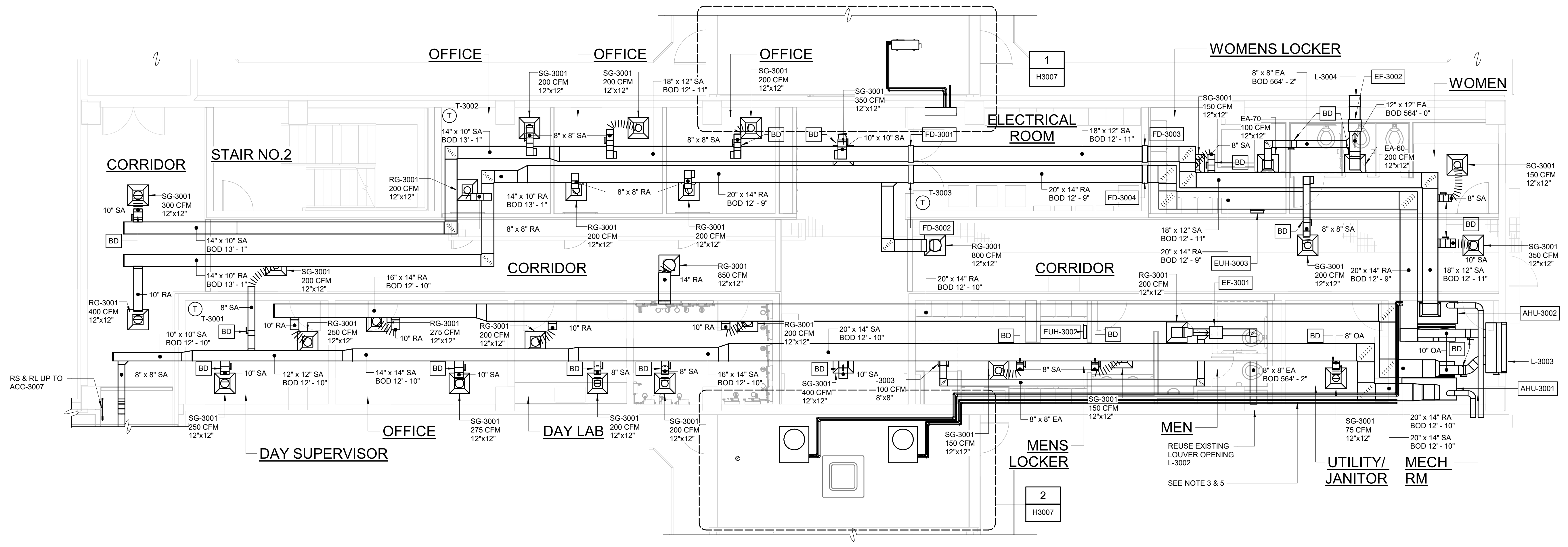
JACK H. WILSON WTP RENEWAL
AND RESILIENCY PROJECT

FILTER BUILDING
HVAC
SECOND FLOOR - PARTIAL PLAN WEST GALLERY

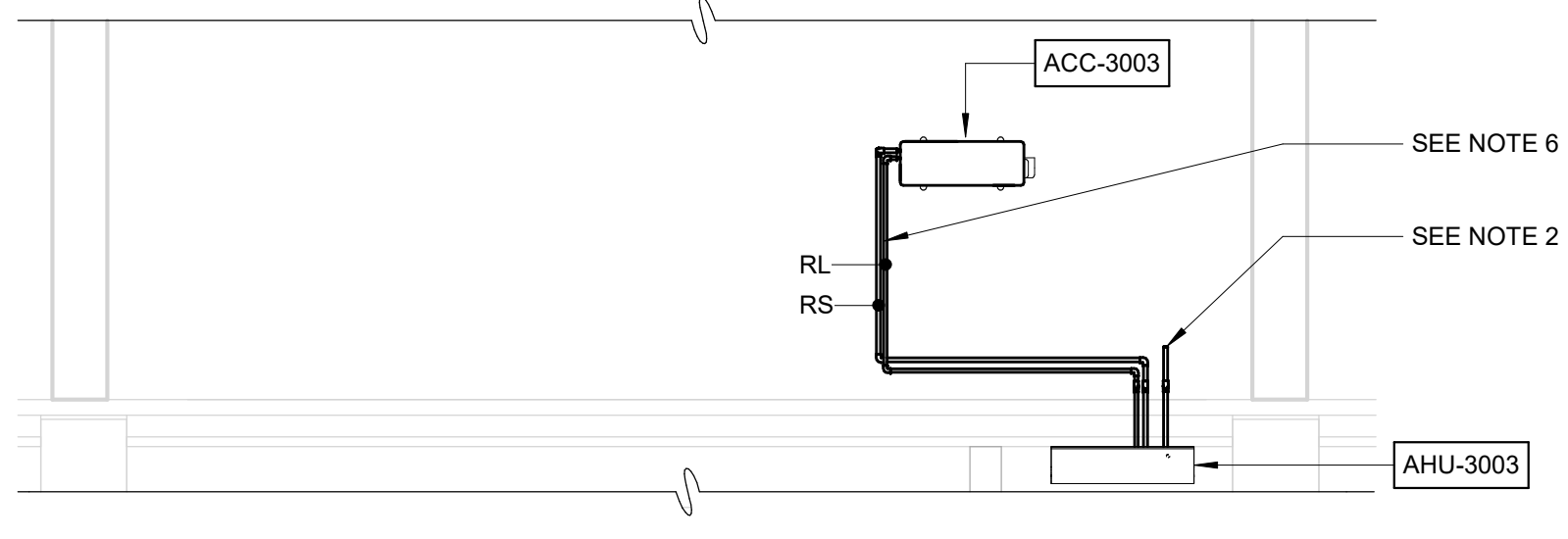
DATE:	NOVEMBER 2024
HAZEN NO.:	60711-003
CONTRACT NO.:	1
DRAWING NUMBER:	H3006



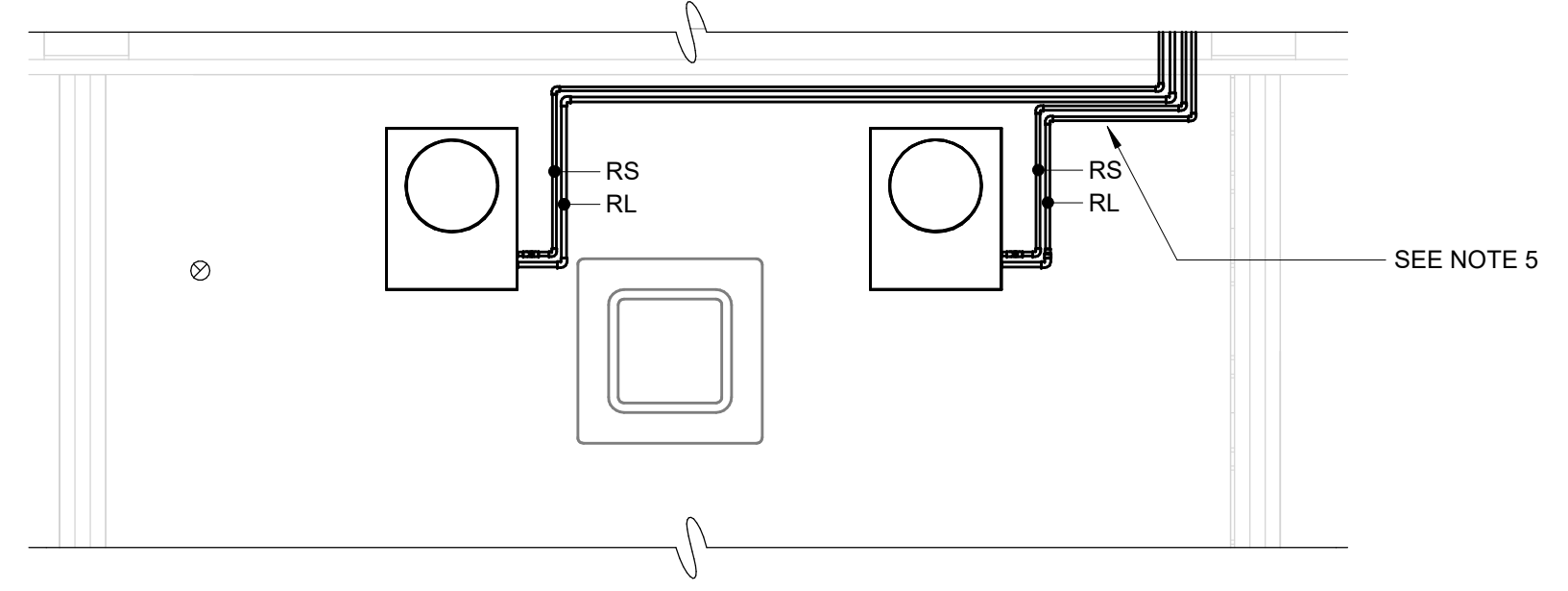
- NOTES:**
- DO NOT ROUTE REFRIGERANT AND CONDENSATE LINES ABOVE ELECTRICAL EQUIPMENT.
 - ROUTE MINISPLIT CONDENSATE TO EXTERIOR AND INTO NEAREST ROOF DRAIN.
 - ROUTE AHU-3001 & AHU-3002 CONDENSATE TO MOP SINK IN ADJACENT JANITOR ROOM.
 - PROVIDE CURB FOR MOUNTING CONDENSING UNIT ON FILTER GALLERY (EAST & WEST) ROOF.
 - REFRIGERANT LINES ROUTED TO CONDENSING EQUIPMENT ON ROOF.



PARTIAL INTERMEDIATE PLAN - CROSS GALLERY
3/16" = 1'-0"



1 PARTIAL ROOF PLAN - EAST GALLERY
1/4" = 1'-0"



2 PARTIAL ROOF PLAN - WEST GALLERY
1/4" = 1'-0"

GMP SUBMITTAL. DO NOT USE FOR CONSTRUCTION.

Autodesk_Docs/60711-001_Wilson_WTP_Rehab_Filter_Building/60711-003-3000-FB-310B-FW-C-HVAC.rvt 11/12/2024 4:48:54 PM

REV	ISSUED FOR	DATE	BY

PROJECT MANAGER:	T. HUDSON
DESIGNED BY:	T. MONAHAN
DRAWN BY:	B. WILLIAMS
PROJECT ENGINEER:	T. MONAHAN
IF THIS BAR DOES NOT MEASURE 1" THEN DRAWING IS NOT TO FULL SCALE	



Hazen
HAZEN AND SAWYER
8150 N. CENTRAL EXPRESSWAY
TOWER II - SUITE 700
DALLAS, TEXAS 75206

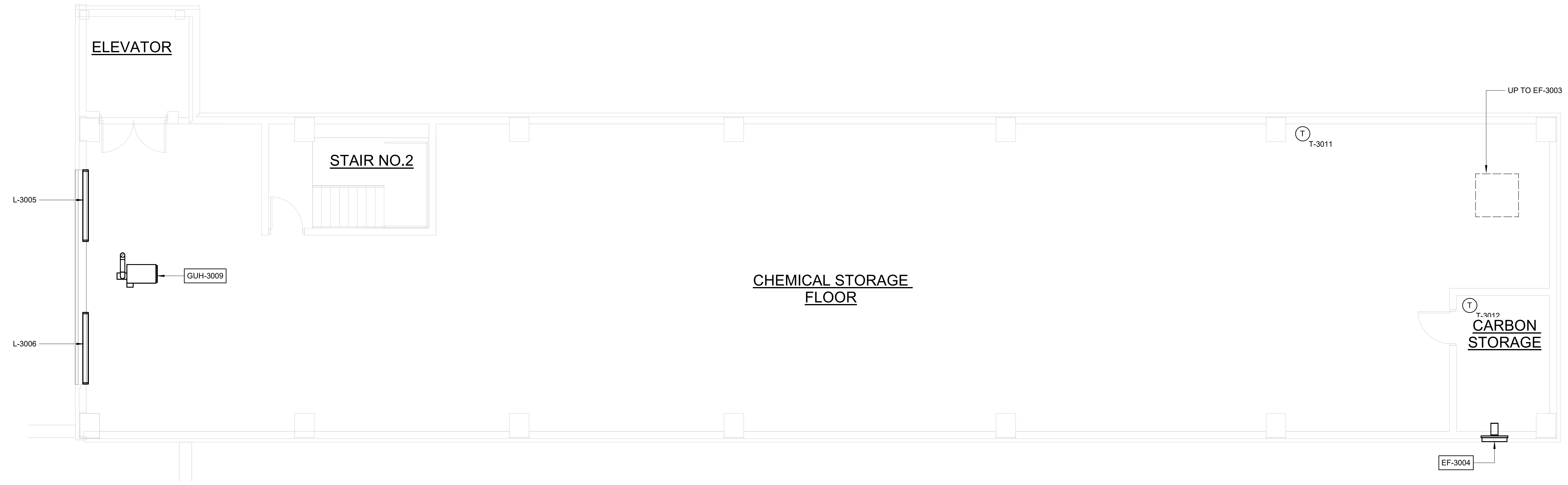
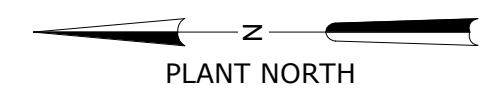
CENTRAL ARKANSAS WATER
LITTLE ROCK, ARKANSAS

JACK H. WILSON WTP RENEWAL
AND RESILIENCY PROJECT

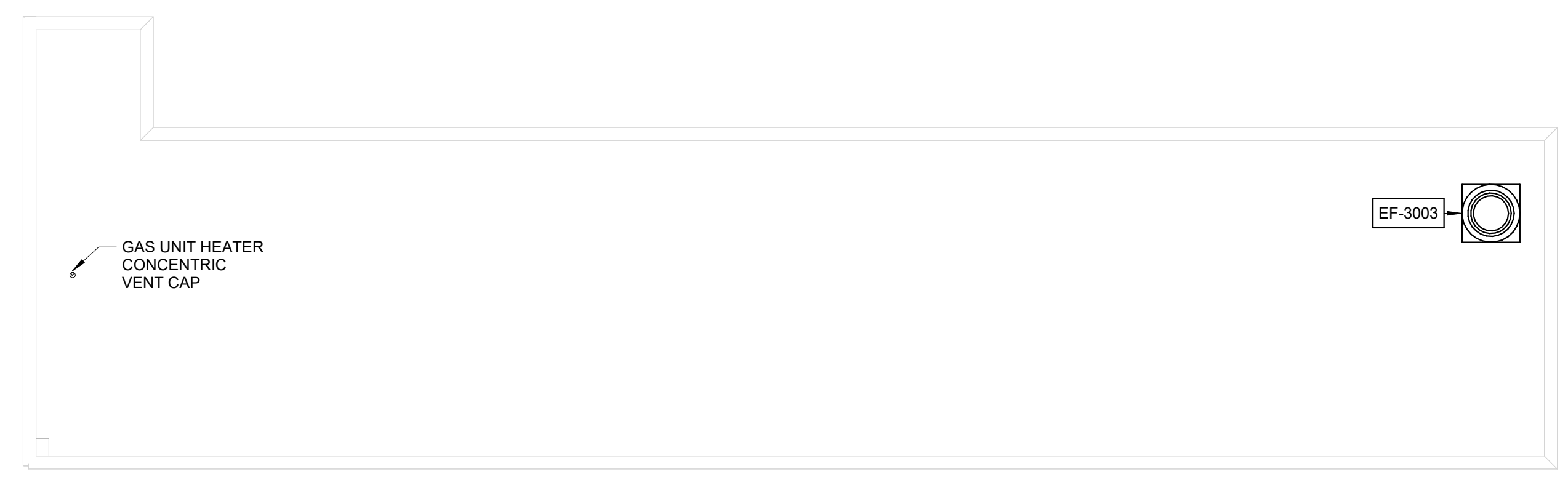
FILTER BUILDING
HVAC
SECOND FLOOR - PARTIAL PLAN FEEDER ROOM

DATE:	NOVEMBER 2024
HAZEN NO.:	60711-003
CONTRACT NO.:	1
DRAWING NUMBER:	H3007

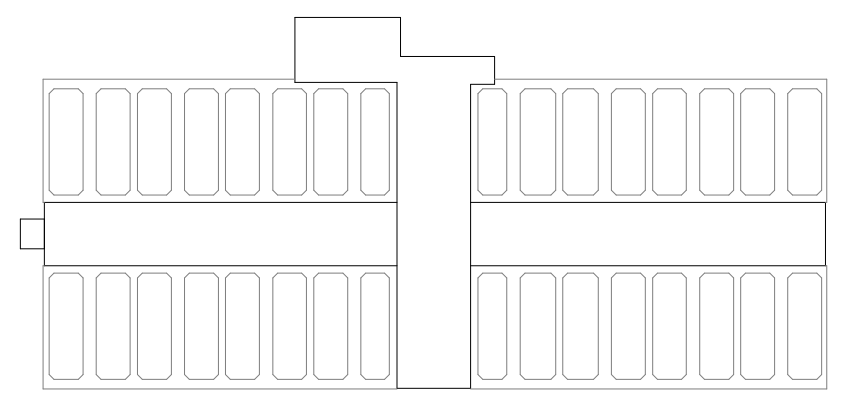
- NOTES:
1. PROVIDE NEW CONTROL DAMPERS OVER EXISTING LOUVERS. FIELD VERIFY OPENING SIZE.
 2. REUSE WALL AND ROOF OPENINGS. FIELD VERIFY OPENING SIZE. PROVIDE ANY REQUIRED TRANSITION FOR NEW EQUIPMENT.
 3. CAPPED STAINLESS STEEL FLUE RUN TO ROOF THROUGH EXISTING OPENING.
 4. WALL FAN MOUNTED PER DETAIL H-23-0617.



TOP FLOOR - CROSS GALLERY
3/16" = 1'-0"



ROOF PLAN - CROSS GALLERY
3/32" = 1'-0"



GMP SUBMITTAL. DO NOT USE FOR CONSTRUCTION.

Autodesk_DocSet(60711-003)_Wilson_WTP_Rehab_Filter_Build(60711-003-3000-FB-3100-FWC-HVAC.rvt 11/15/2024 4:48:54 PM

REV	ISSUED FOR	DATE	BY

PROJECT MANAGER:	T. HUDSON
DESIGNED BY:	T. MONAHAN
DRAWN BY:	B. WILLIAMS
PROJECT ENGINEER:	T. MONAHAN
IF THIS BAR DOES NOT MEASURE 1" THEN DRAWING IS NOT TO FULL SCALE	



Hazen
HAZEN AND SAWYER
8150 N. CENTRAL EXPRESSWAY
TOWER II - SUITE 700
DALLAS, TEXAS 75206

CENTRAL ARKANSAS WATER
LITTLE ROCK, ARKANSAS

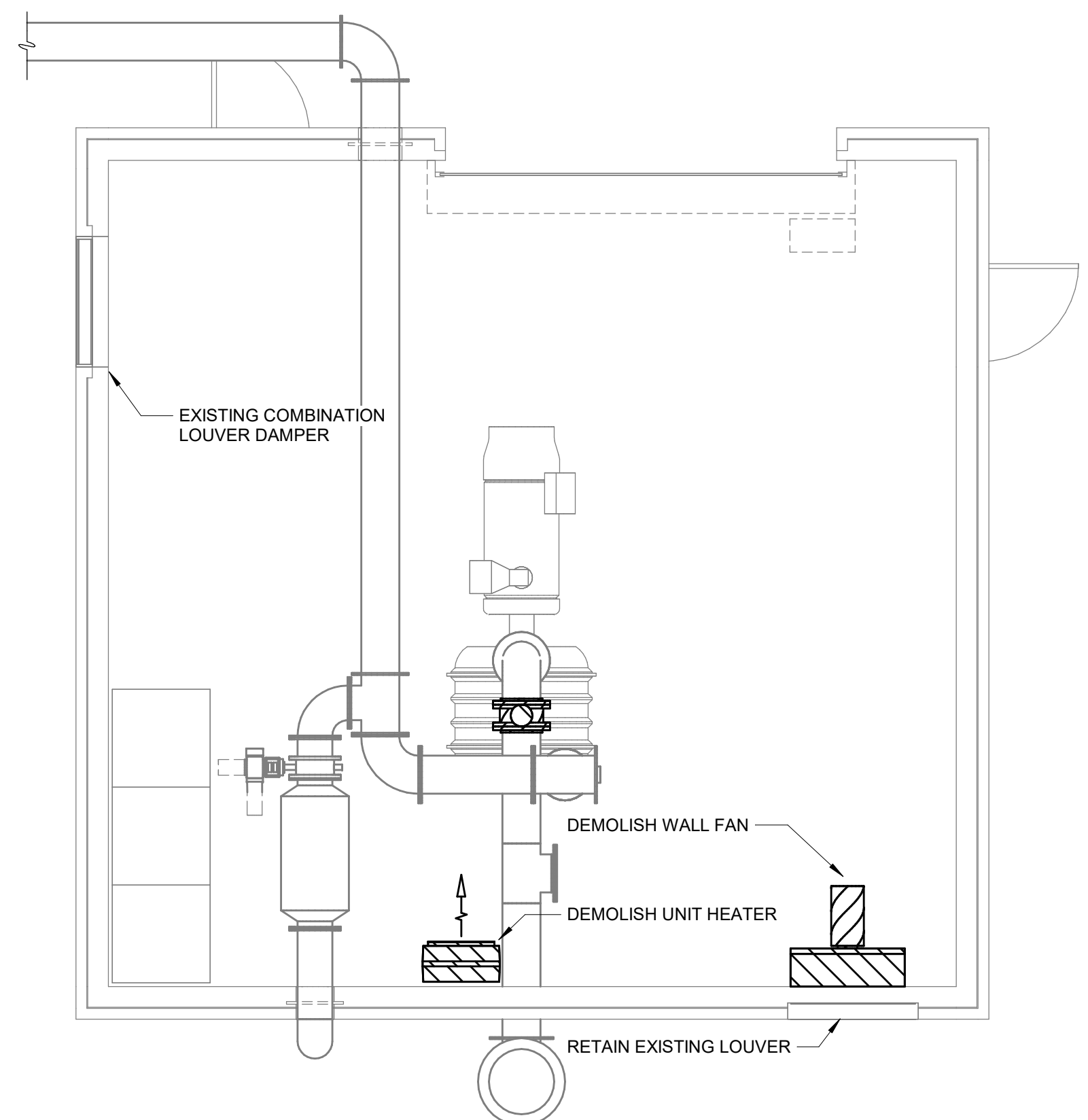
JACK H. WILSON WTP RENEWAL
AND RESILIENCY PROJECT

FILTER BUILDING
HVAC
THIRD FLOOR & ROOF PLAN

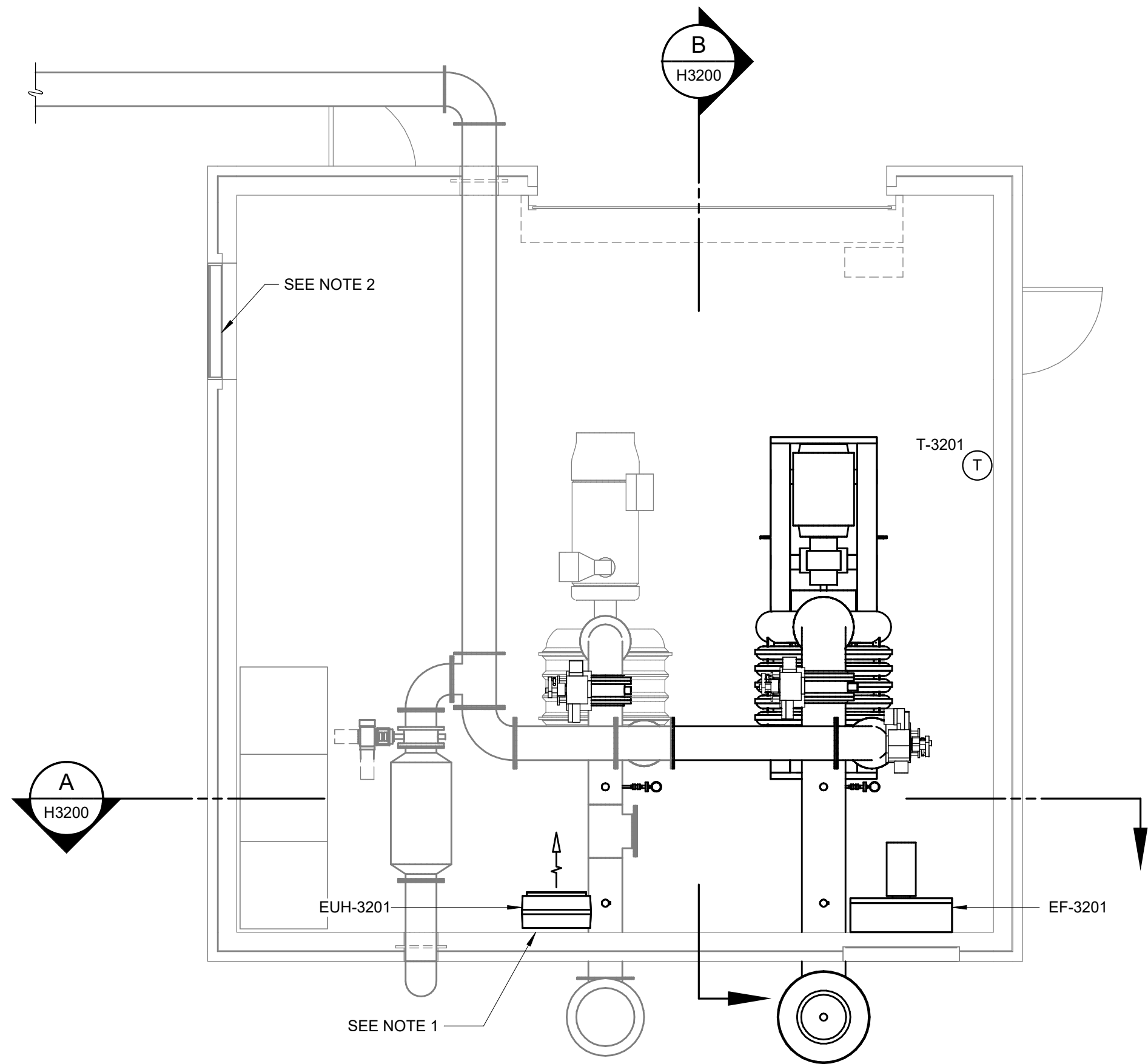
DATE:	NOVEMBER 2024
HAZEN NO.:	60711-003
CONTRACT NO.:	1
DRAWING NUMBER:	H3008

THESE DRAWINGS ARE NOT COMPREHENSIVE AND ARE PROVIDED FOR GENERAL INFORMATION ONLY. THEY ARE INCLUDED AS A REFERENCE TO DEMONSTRATE A GENERAL SCOPE OF STRUCTURES AND EQUIPMENT TO BE IMPROVED.

- NOTES:
1. MOUNT BOTTOM OF UNIT HEATERS AT 10'-0" MINIMUM. FIELD VERIFY EXISTING LOCATION FOR REUSE.
 2. LOCK EXISTING MANUAL COMBINATION LOUVER/DAMPER IN THE OPEN POSITION.
 3. MOUNT WALL FAN PER DETAIL H-23-0617.

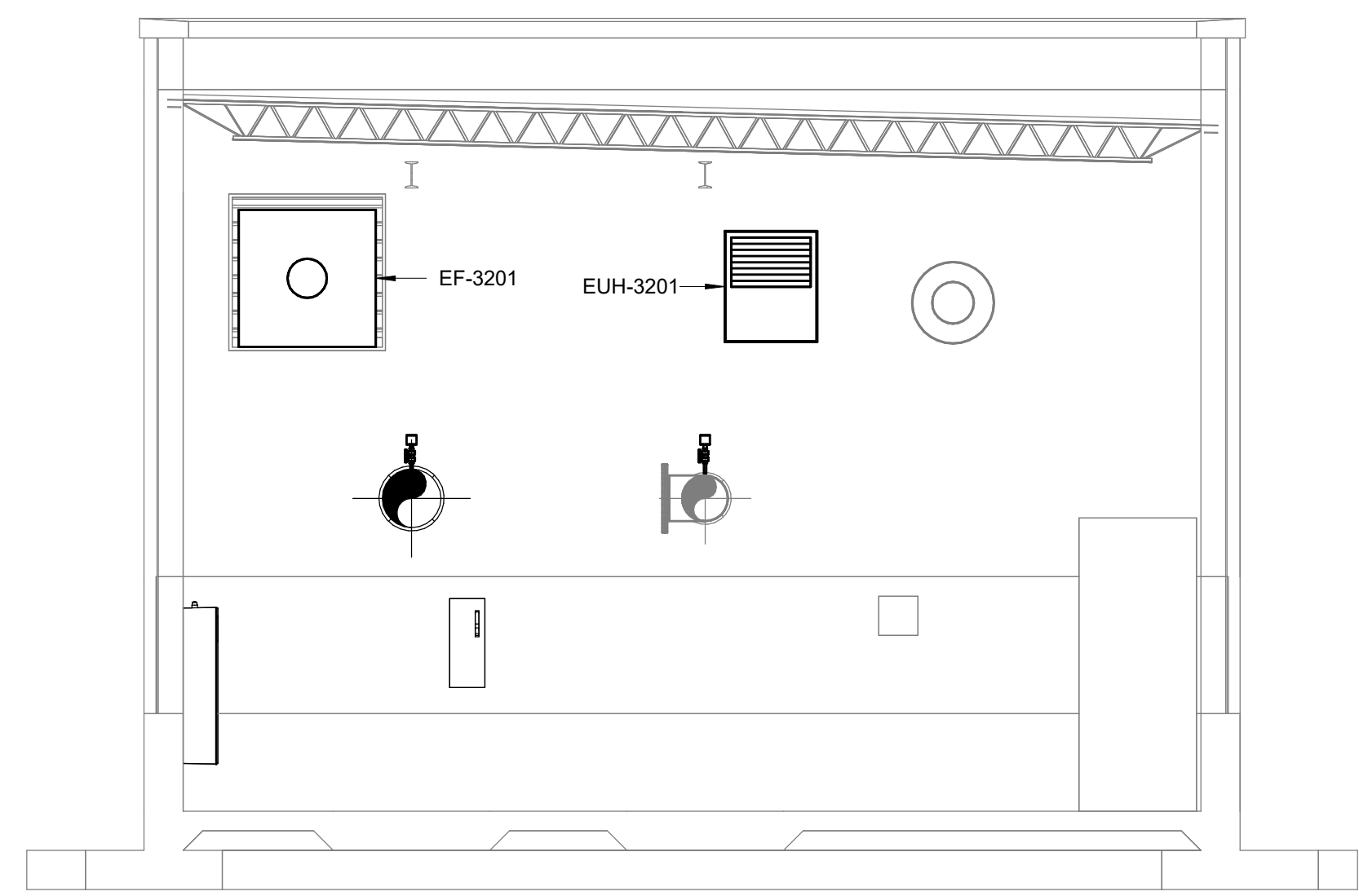


INTERMEDIATE PLAN - DEMOLITION
1/4" = 1'-0"

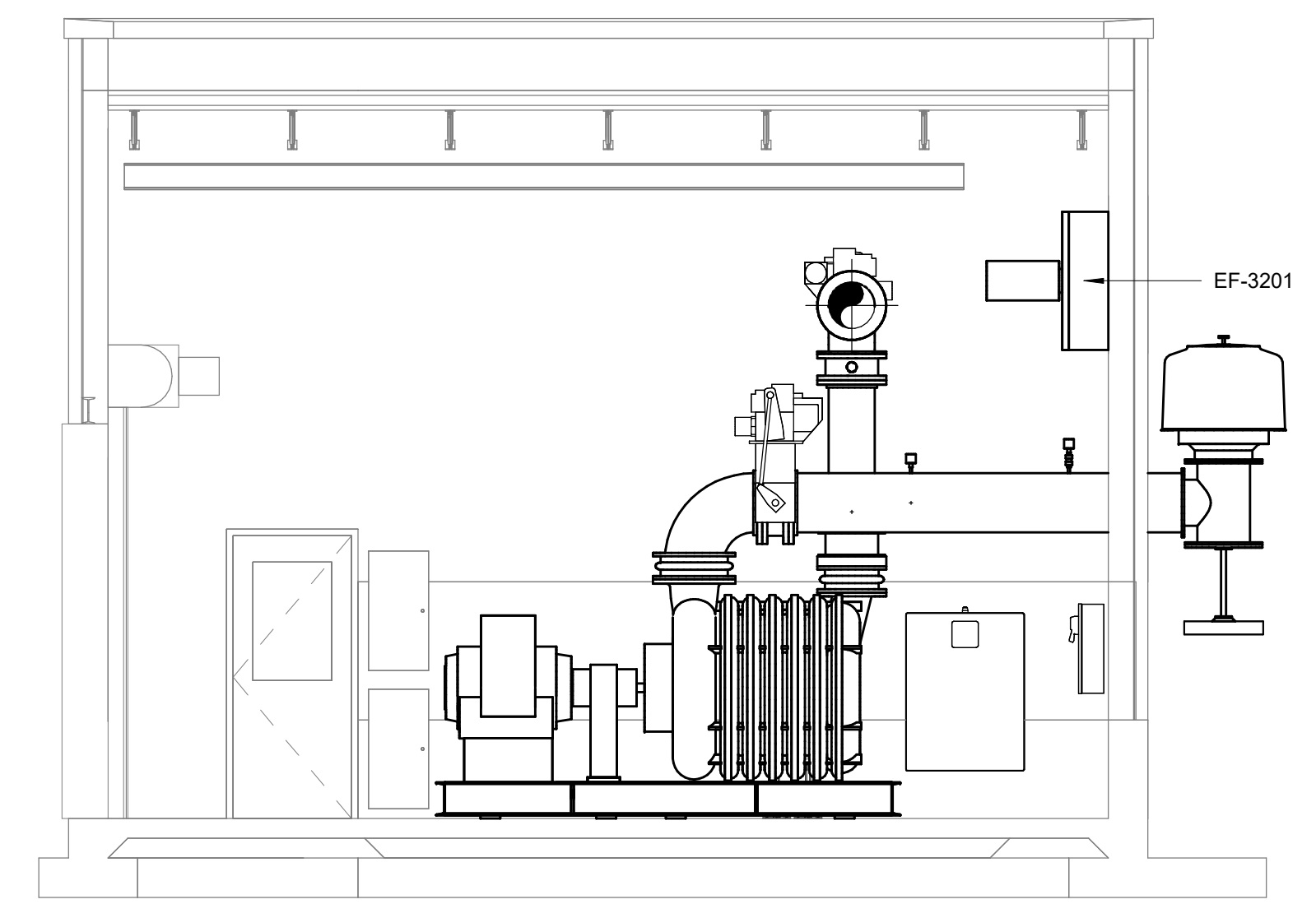


INTERMEDIATE PLAN
1/4" = 1'-0"

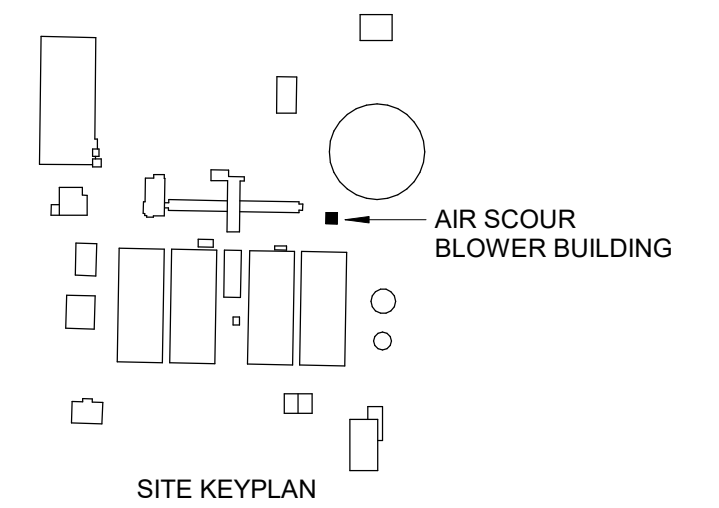
- DEMO NOTES:
1. DEMOLISH ANY EXISTING SPACE THERMOSTATS.



SECTION A
1/4" = 1'-0"



SECTION B
1/4" = 1'-0"



GMP SUBMITTAL. DO NOT USE FOR CONSTRUCTION.

Autodesk_Docs/60711-001_Wilson_WTP_Rehab_Plan_H3200-ASBB-HVAC.rvt 11/20/24 4:53:59 PM

REV	ISSUED FOR	DATE	BY

PROJECT MANAGER:	T. HUDSON
DESIGNED BY:	T. MONAHAN
DRAWN BY:	T. MONAHAN
PROJECT ENGINEER:	T. MONAHAN
IF THIS BAR DOES NOT MEASURE 1" THEN DRAWING IS NOT TO FULL SCALE	0 1/2" 1"



Hazen
HAZEN AND SAWYER
8150 N. CENTRAL EXPRESSWAY
TOWER II - SUITE 700
DALLAS, TEXAS 75206

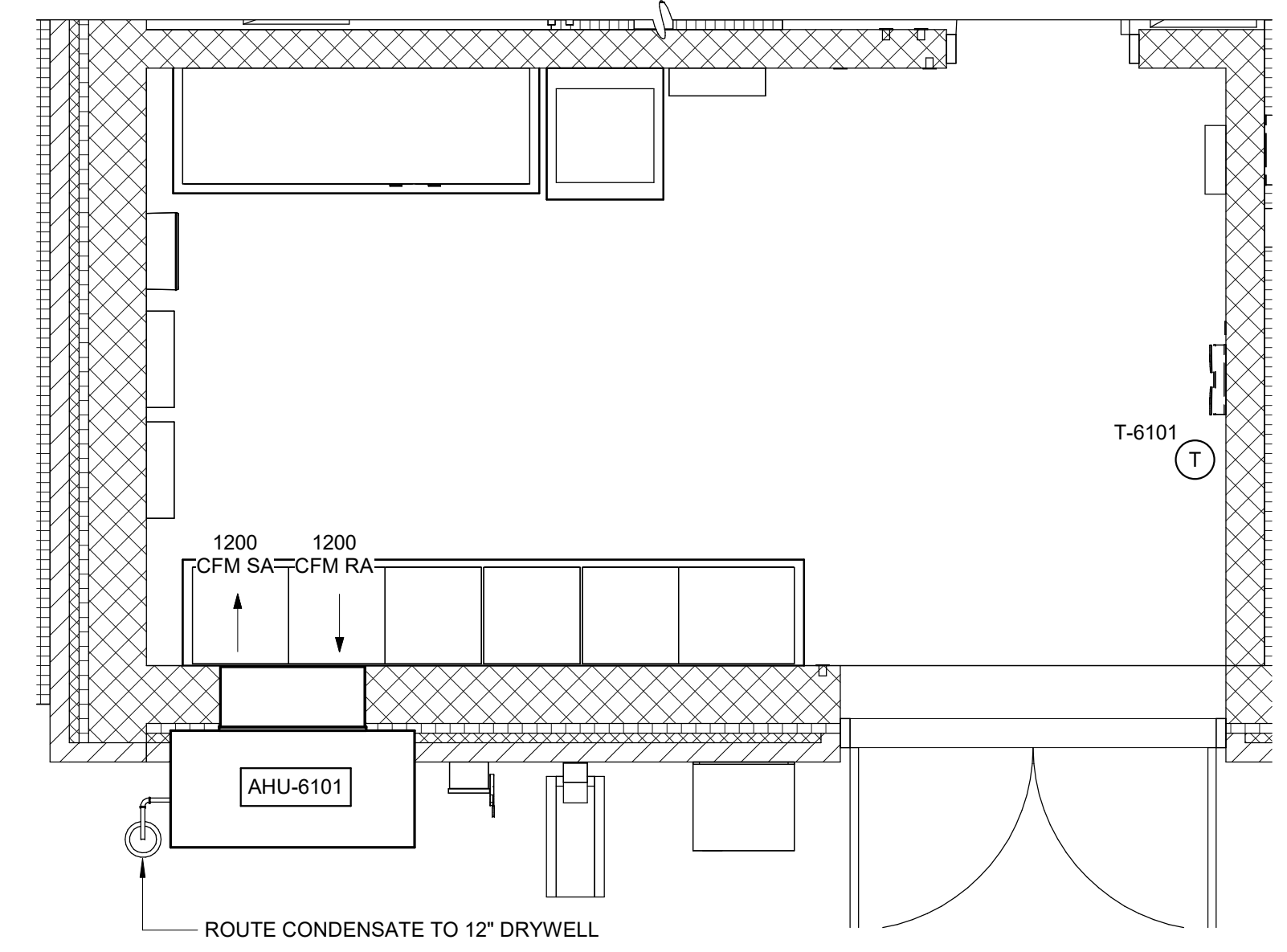
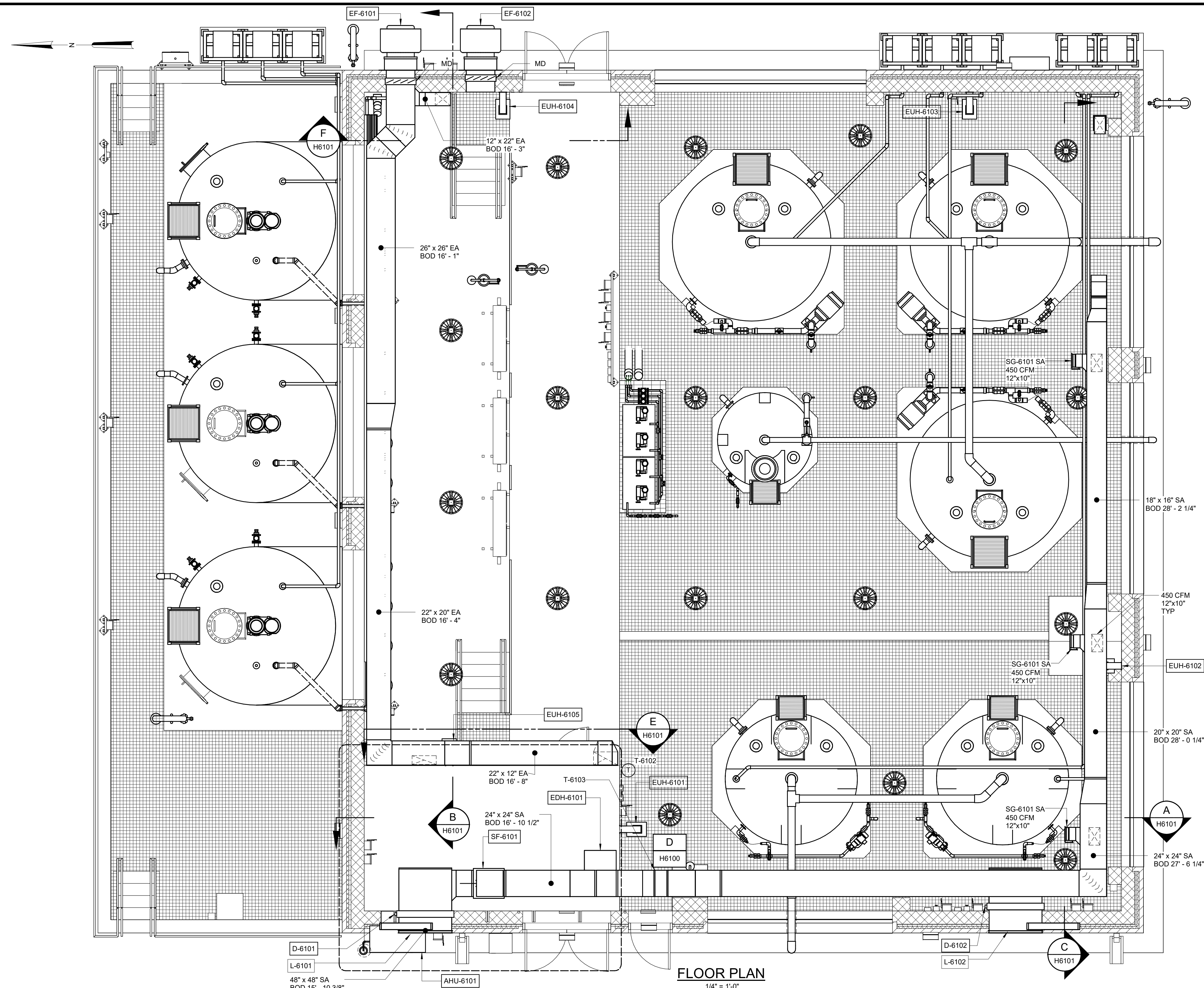
CENTRAL ARKANSAS WATER
LITTLE ROCK, ARKANSAS

JACK H. WILSON WTP RENEWAL
AND RESILIENCY PROJECT

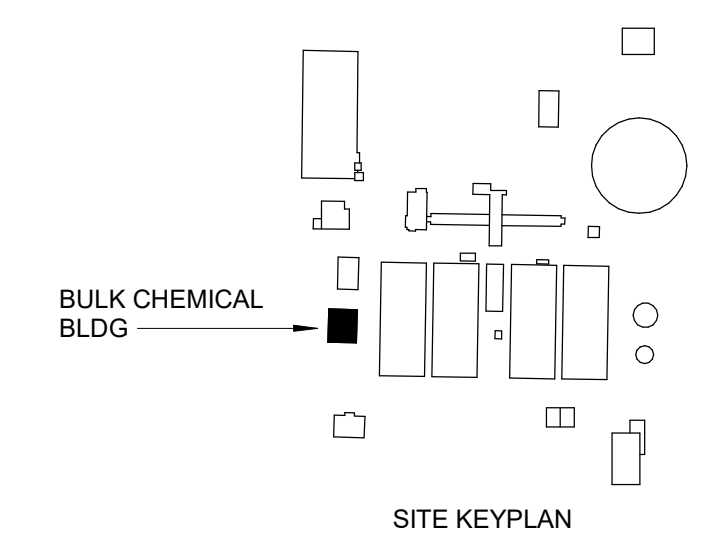
AIR SCOUR BLOWER BUILDING
HVAC
PLANS AND SECTIONS

DATE:	NOVEMBER 2024
HAZEN NO.:	60711-003
CONTRACT NO.:	1
DRAWING NUMBER:	H3200

- NOTES:
1. PROVIDE CONDENSATE DRYWELL PER DETAIL P-22-0221.
 2. SEE ARCH PLANS FOR ELEC ROOM ROOF ANCHOR POINTS FOR FAN AND DUCT HEATER SERVICE.
 3. SUPPLY REGISTERS SHALL THROW DOWN WALKWAYS BETWEEN TANKS.
 4. ORIENT UNIT HEATERS TO PROVIDE COUNTERCLOCKWISE AIR THROW AROUND BUILDING PERIMETER.
 5. ROUTE DUCT WITH ANY NECESSARY OFFSETS AROUND CHEMICAL PROCESS PIPING.



ELECTRICAL ROOM - Callout D
3/8" = 1'-0"



FLOOR PLAN
1/4" = 1'-0"

GMP SUBMITTAL. DO NOT USE FOR CONSTRUCTION.

Autodesk_DocSet/60711-001_Wilson_WTP_Renewal_Files_Baer/60711-003-6100-BCB-HVAC.rvt 11/20/2024 4:58:35 PM

REV	ISSUED FOR	DATE	BY

PROJECT MANAGER:	T. HUDSON
DESIGNED BY:	T. MONAHAN
DRAWN BY:	P. GREER
PROJECT ENGINEER:	T. MONAHAN
IF THIS BAR DOES NOT MEASURE 1" THEN DRAWING IS NOT TO FULL SCALE	



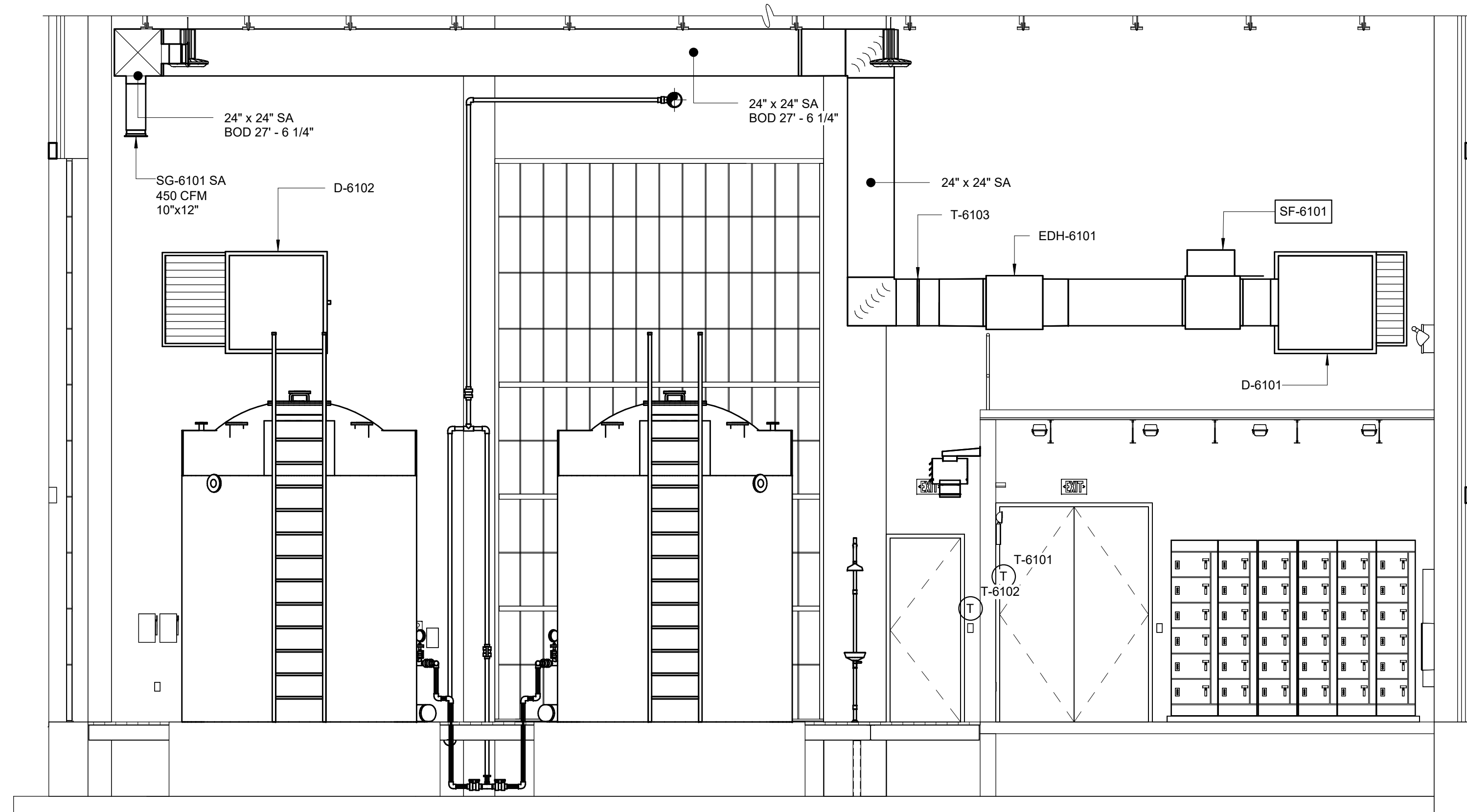
Hazen
HAZEN AND SAWYER
8150 N. CENTRAL EXPRESSWAY
TOWER II - SUITE 700
DALLAS, TEXAS 75206

CENTRAL ARKANSAS WATER
LITTLE ROCK, ARKANSAS

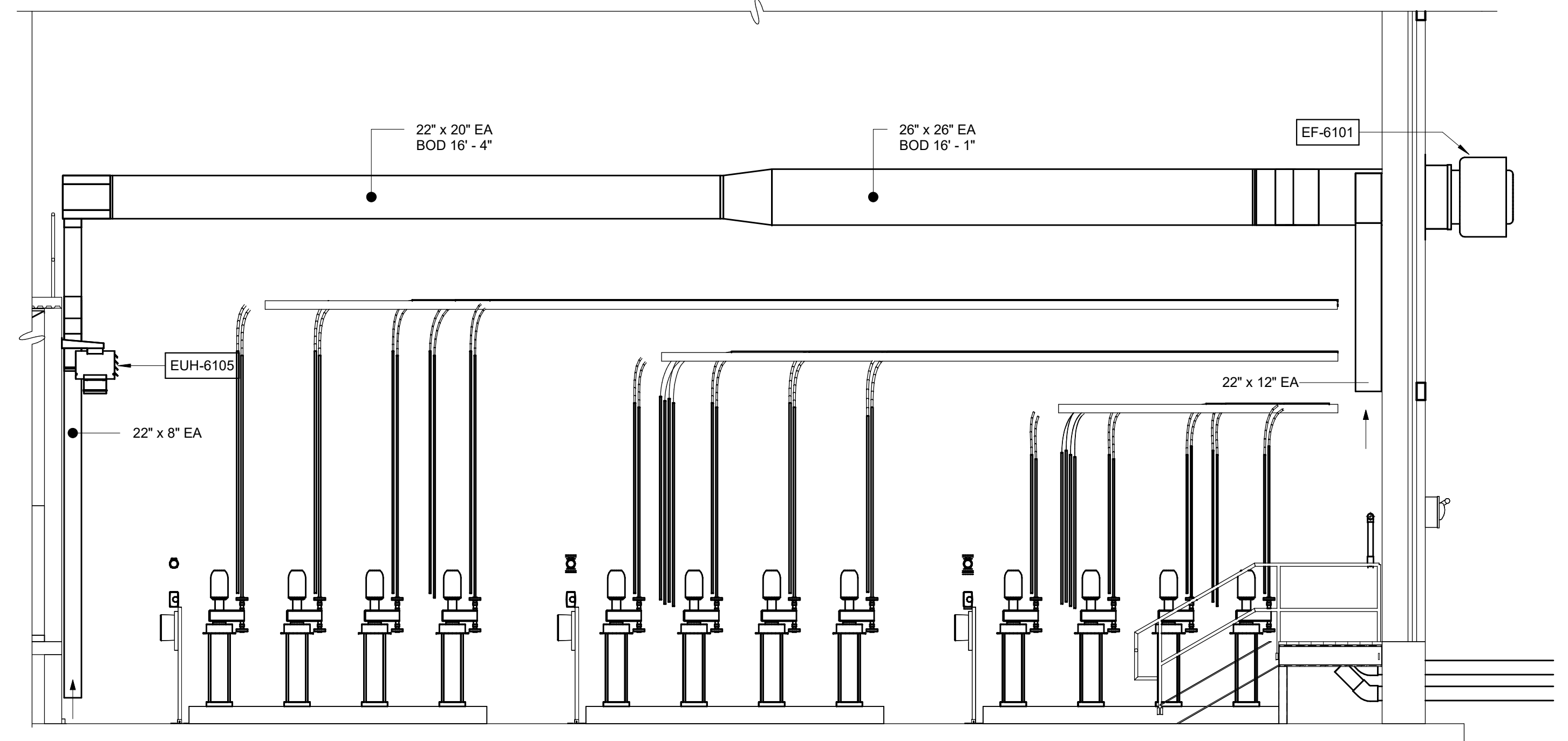
JACK H. WILSON WTP RENEWAL
AND RESILIENCY PROJECT

BULK CHEMICAL BUILDING
HVAC
FLOOR PLAN

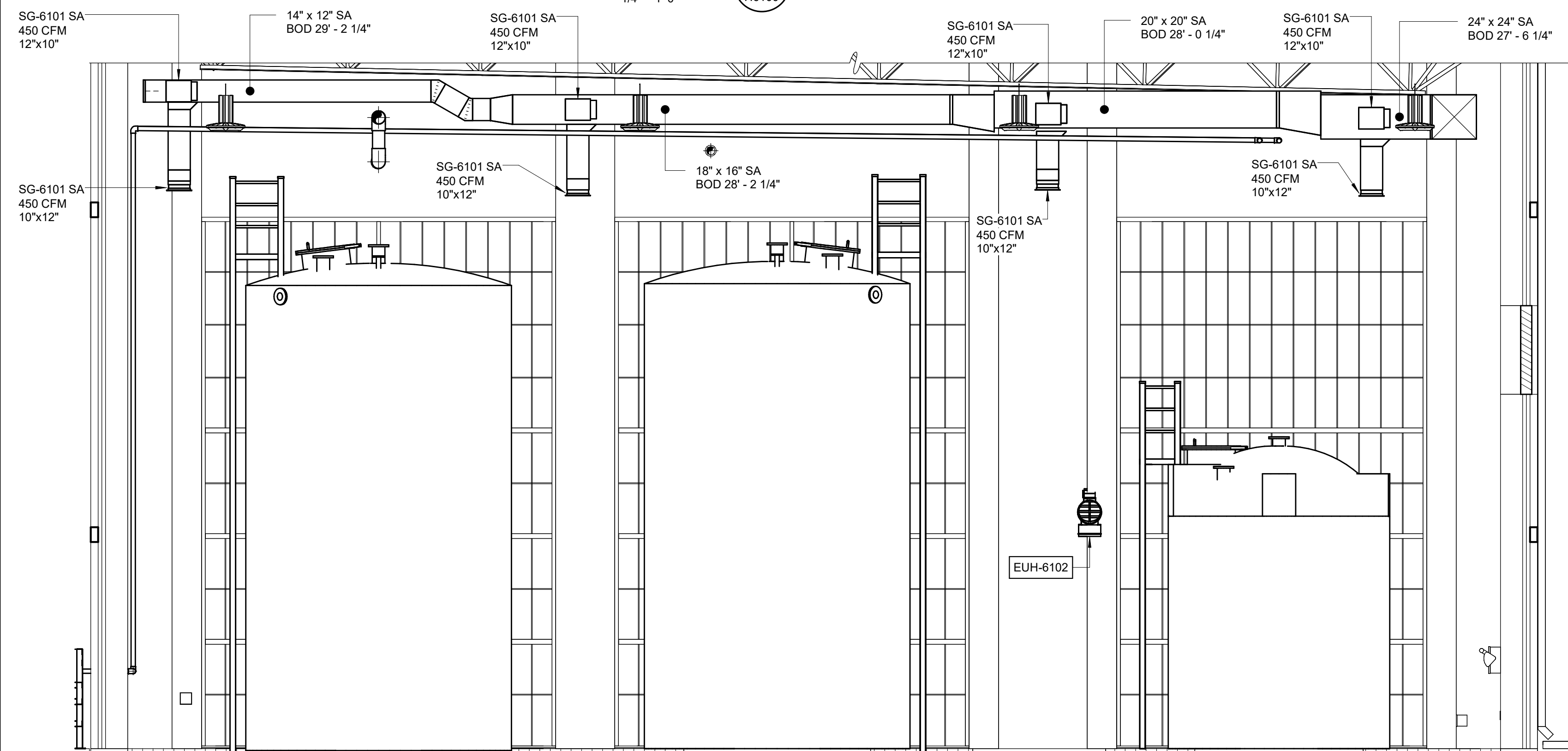
DATE:	NOVEMBER 2024
HAZEN NO.:	60711-003
CONTRACT NO.:	1
DRAWING NUMBER:	H6100



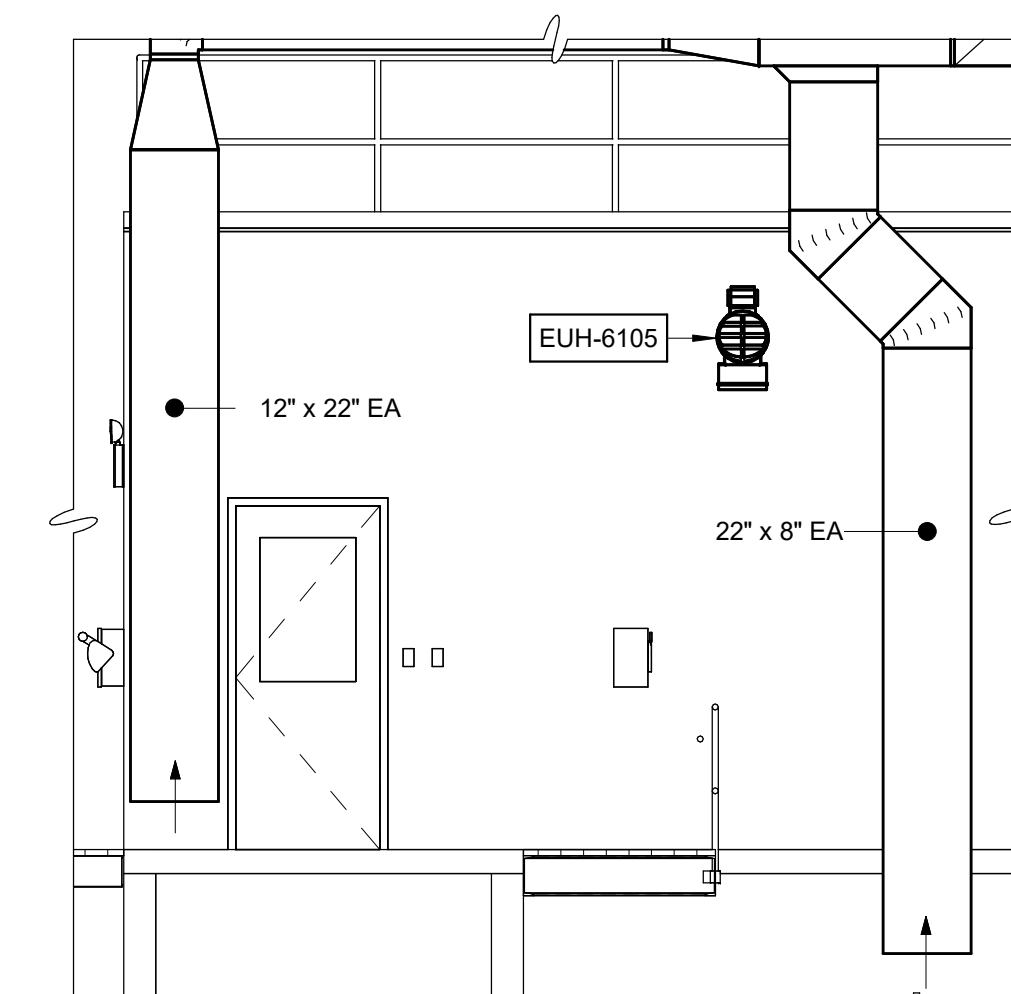
SECTION A
1/4" = 1'-0"
H6100



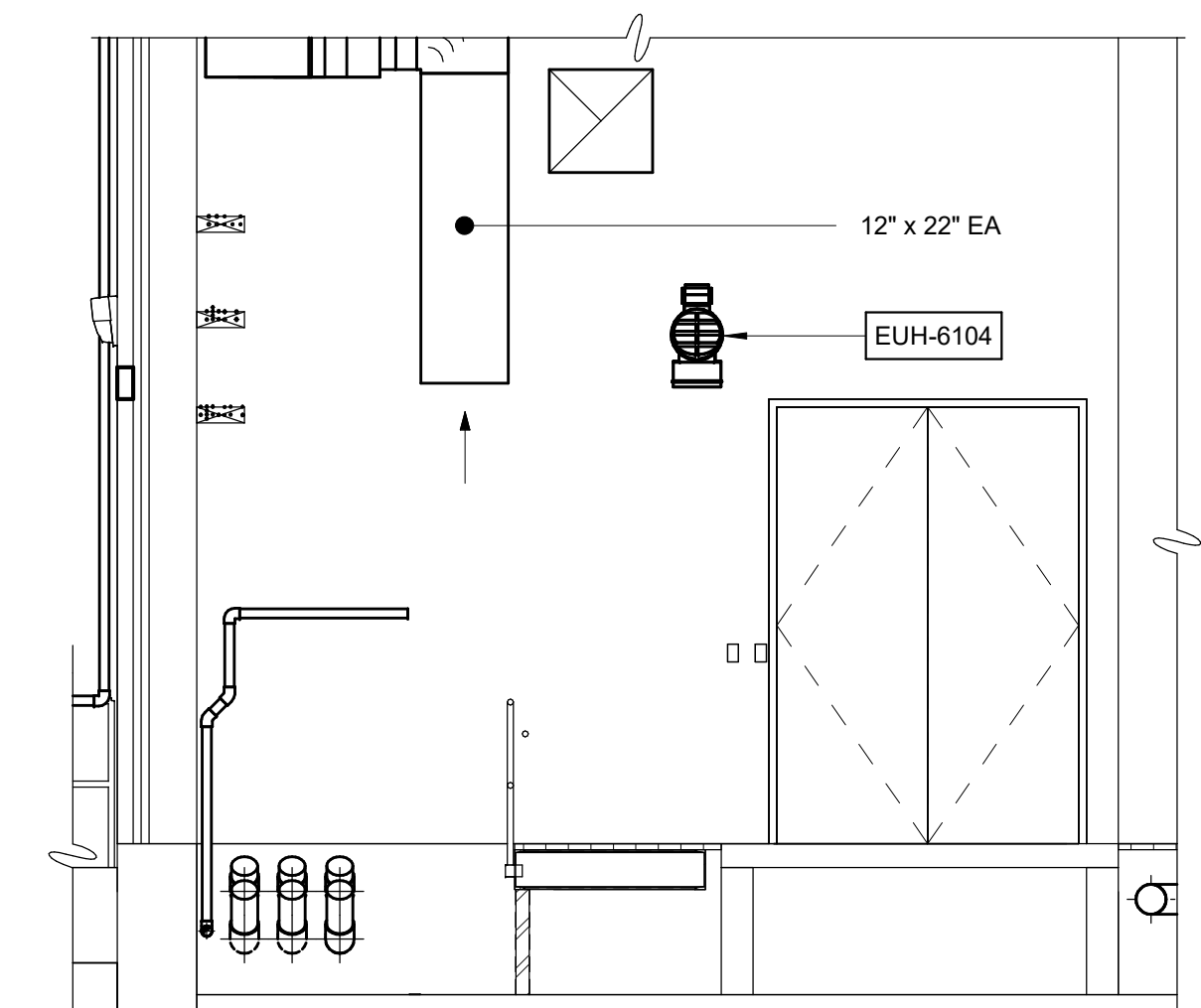
SECTION B
1/4" = 1'-0"
H6100



SECTION C
1/4" = 1'-0"
H6100



SECTION E
1/4" = 1'-0"
H6100



SECTION F
1/4" = 1'-0"
H6100

GMP SUBMITTAL. DO NOT USE FOR CONSTRUCTION.

Autodesk_DocSet(60711-001_Wilson_WTP_Renewal_File_Base)60711-003-6100-BCB-HVAC.rvt
11/20/2024 4:58:37 PM

REV	ISSUED FOR	DATE	BY

PROJECT MANAGER:	T. HUDSON
DESIGNED BY:	T. MONAHAN
DRAWN BY:	P. GREER
PROJECT ENGINEER:	T. MONAHAN
IF THIS BAR DOES NOT MEASURE 1" THEN DRAWING IS NOT TO FULL SCALE	



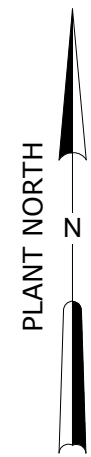
Hazen
HAZEN AND SAWYER
8150 N. CENTRAL EXPRESSWAY
TOWER II - SUITE 700
DALLAS, TEXAS 75206

CENTRAL ARKANSAS WATER
LITTLE ROCK, ARKANSAS

JACK H. WILSON WTP RENEWAL
AND RESILIENCY PROJECT

BULK CHEMICAL BUILDING
HVAC
SECTIONS

DATE:	NOVEMBER 2024
HAZEN NO.:	60711-003
CONTRACT NO.:	1
DRAWING NUMBER:	H6101



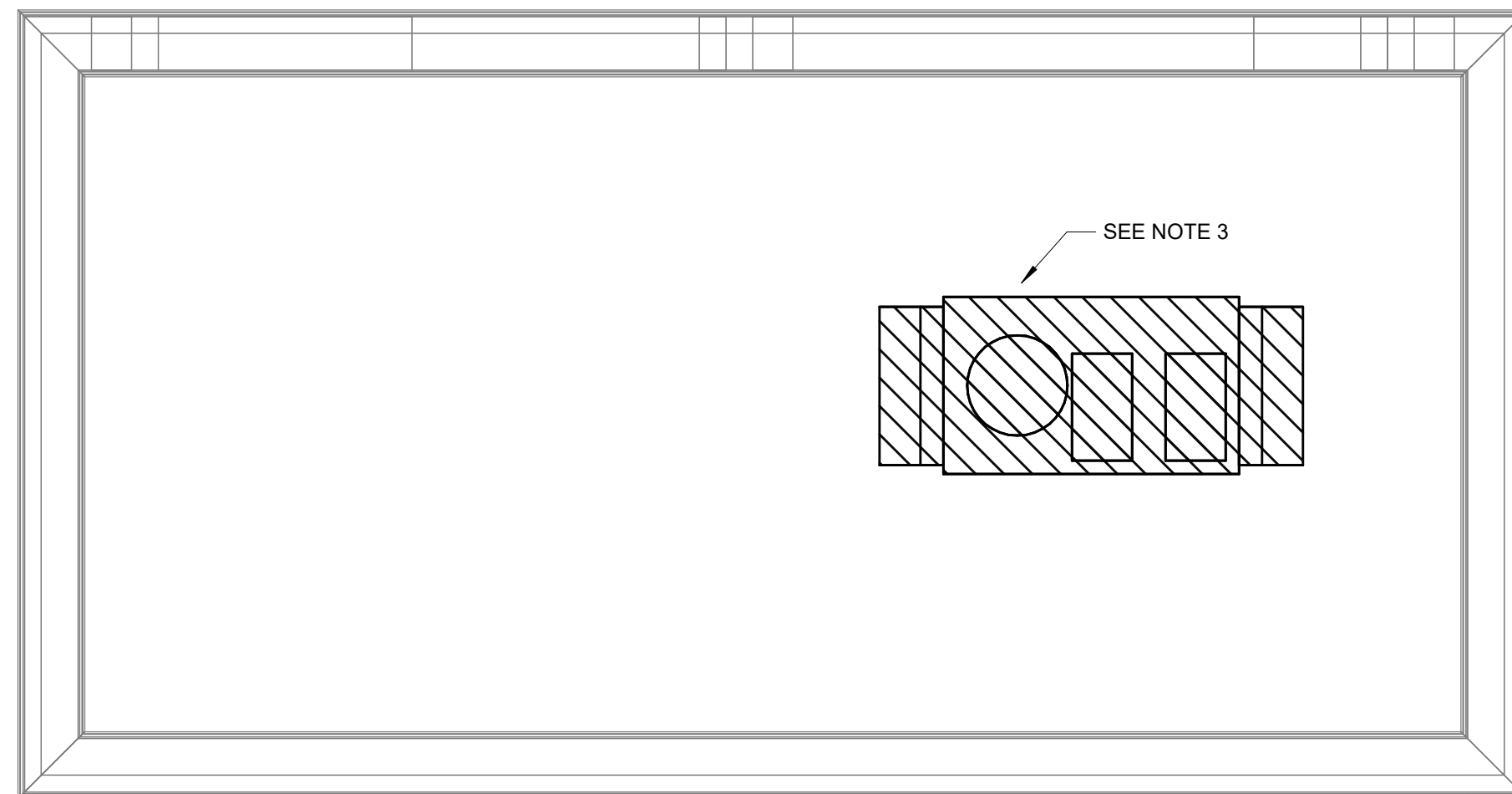
THESE DRAWINGS ARE NOT COMPREHENSIVE AND ARE PROVIDED FOR GENERAL INFORMATION ONLY. THEY ARE INCLUDED AS A REFERENCE TO DEMONSTRATE A GENERAL SCOPE OF STRUCTURES AND EQUIPMENT TO BE IMPROVED.

DEMO NOTES:

1. DEMOLISH ALL DUCTWORK, HANGERS AND SUPPORTS TO REMAIN. CAP UNUSED ROOF OPENING.
2. DEMOLISH ALL UNIT HEATERS.
3. DEMOLISH ROOFTOP EQUIPMENT AND CAP ROOF OPENING.

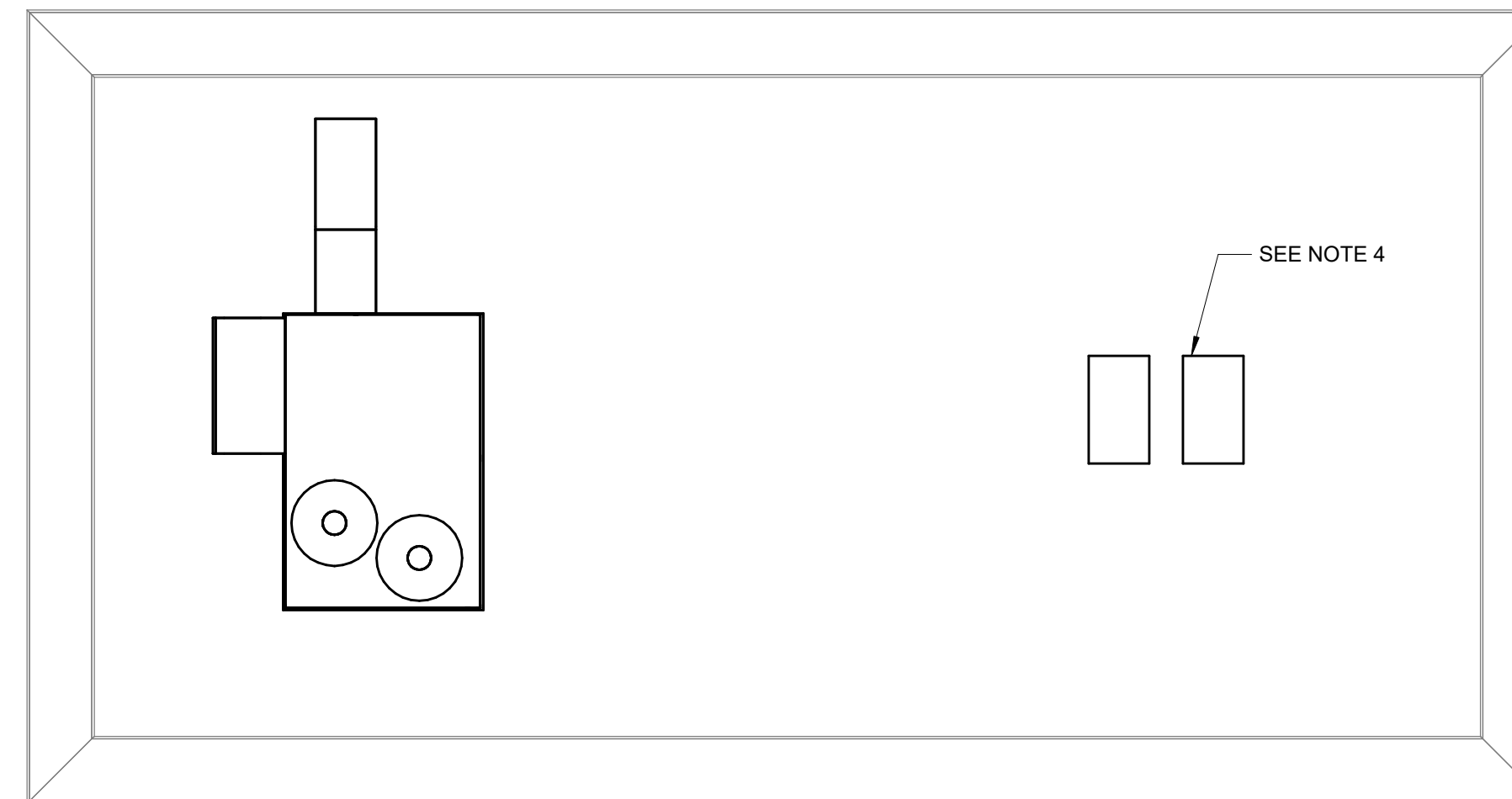
NOTES:

1. SEE ARCH DETAIL A-02-0021 FOR FLASHING ROOF CURB AND SEAL EXISTING OPENINGS.
2. NEW ROOF PENETRATION LOCATED BETWEEN ROOF JOISTS. FIELD VERIFY EXACT PENETRATION LOCATION. SEE ARCH PLANS
3. ROUTE NEW DUCTWORK ALONG PRIOR LAYOUT. REUSE SUPPORTS AND HANGERS.
4. CAP UNUSED ROOF OPENING. SEE ARCH PLANS AND DETAILS.
5. COVER RETURN OPENING/MODULATING POWER INTAKE WITH 1/2" SST MESH.



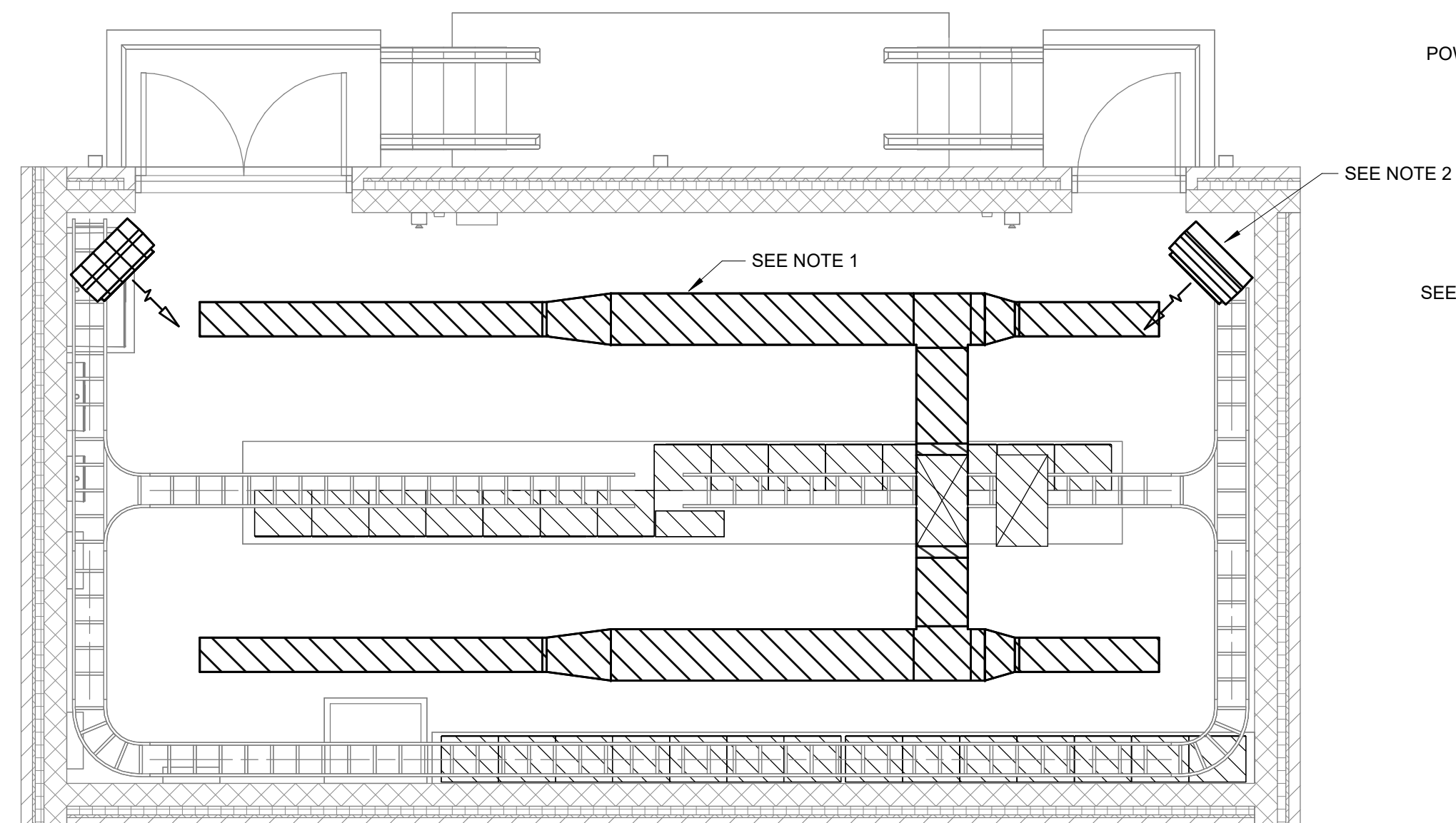
ROOF PLAN DEMOLITION

1/4" = 1'-0"



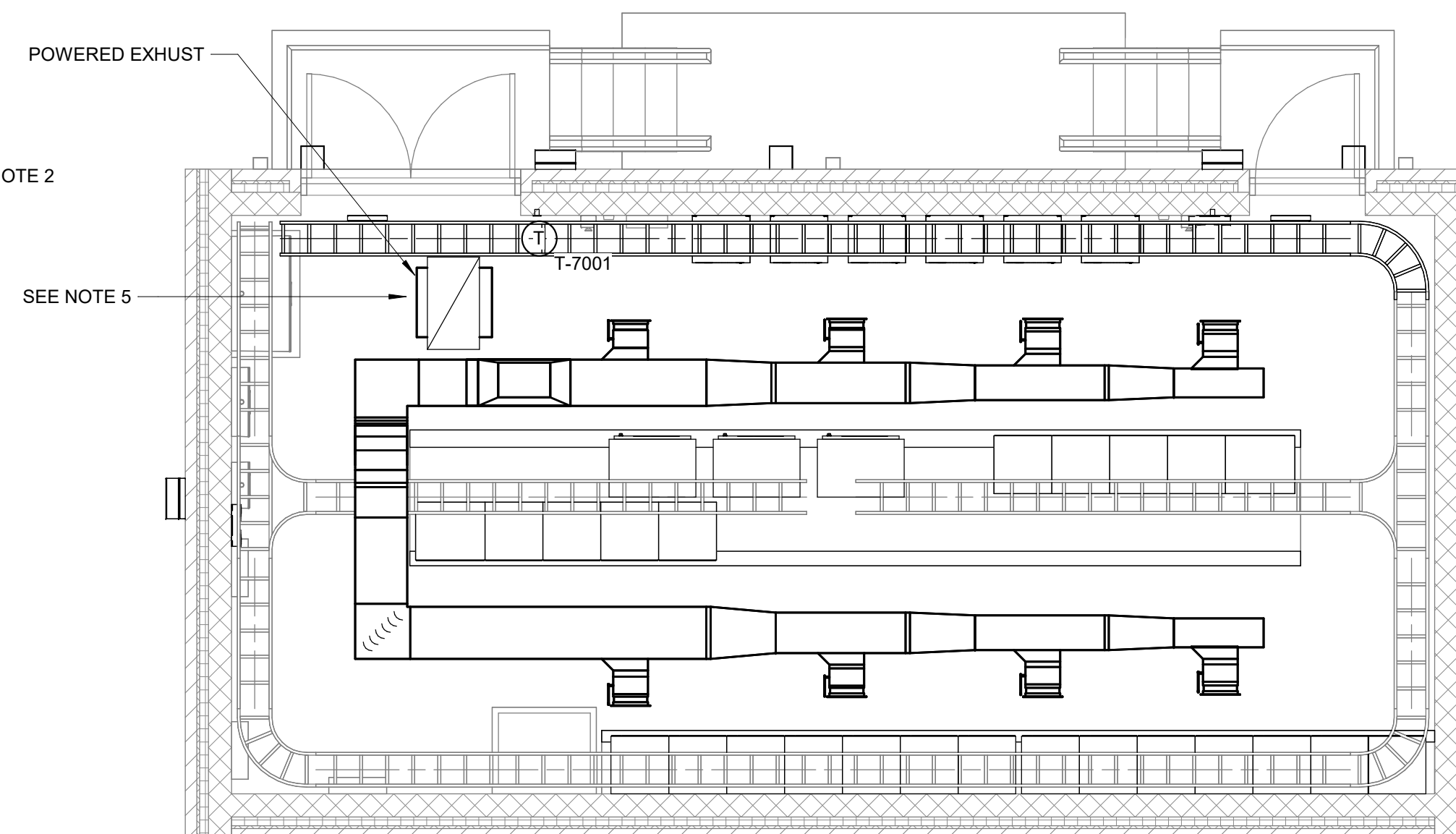
ROOF PLAN

1/4" = 1'-0"



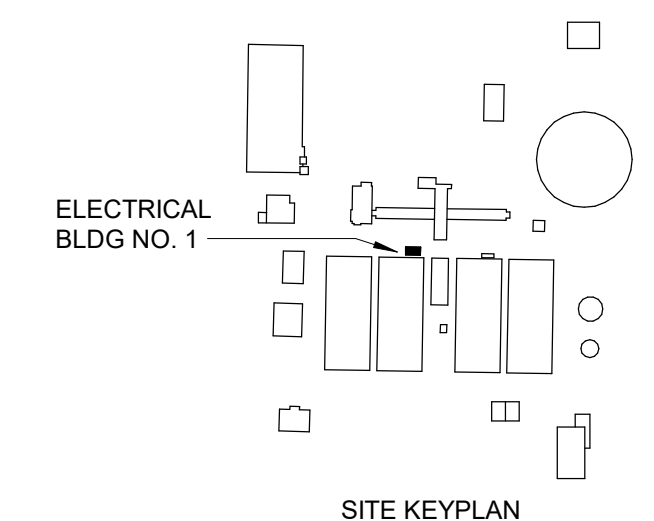
FLOOR PLAN DEMOLITION

1/4" = 1'-0"



FLOOR PLAN

1/4" = 1'-0"



GMP SUBMITTAL. DO NOT USE FOR CONSTRUCTION.

Autodesk Docs/60711-003_Wilson_WTP_Rehab_Files_Baer/60711-003-7000-EB-HVAC.rvt 11/18/2024 5:09:42 PM

REV	ISSUED FOR	DATE	BY

PROJECT MANAGER:	T. HUDSON
DESIGNED BY:	T. MONAHAN
DRAWN BY:	P. GREER
PROJECT ENGINEER:	T. MONAHAN
IF THIS BAR DOES NOT MEASURE 1" THEN DRAWING IS NOT TO FULL SCALE	

Hazen
HAZEN AND SAWYER
8150 N. CENTRAL EXPRESSWAY
TOWER II - SUITE 700
DALLAS, TEXAS 75206

CENTRAL ARKANSAS WATER
LITTLE ROCK, ARKANSAS

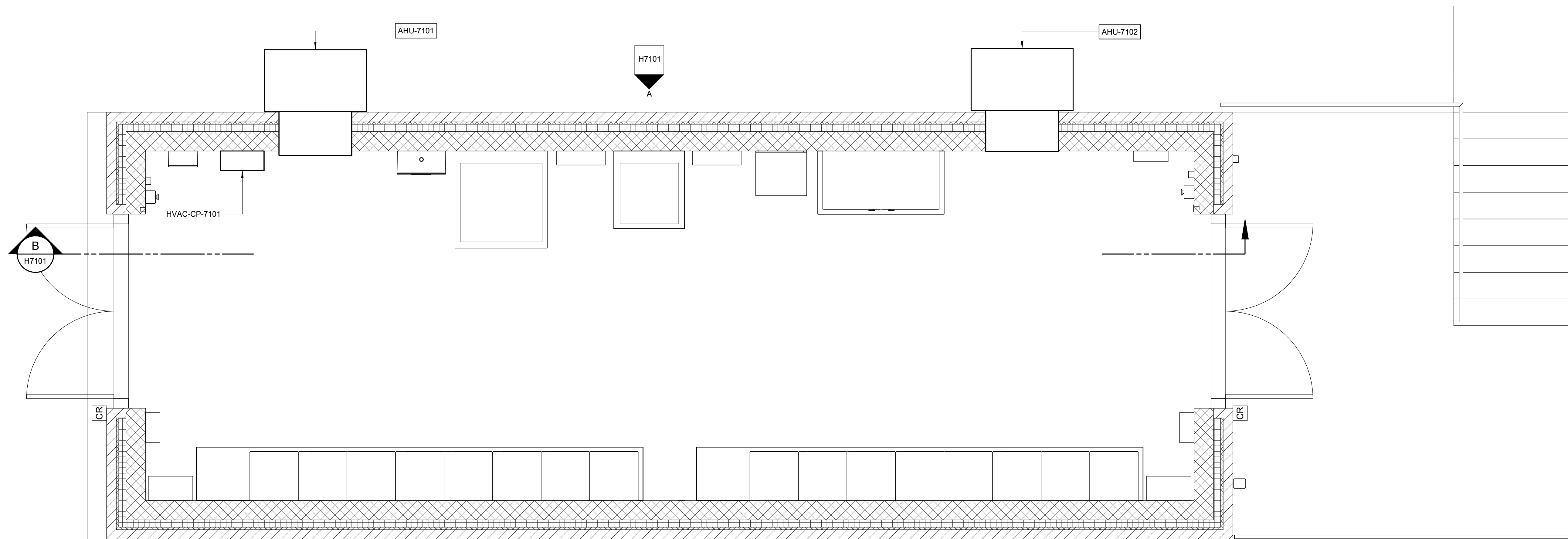
JACK H. WILSON WTP RENEWAL
AND RESILIENCY PROJECT

ELECTRICAL BUILDING NO. 1
HVAC
PLANS

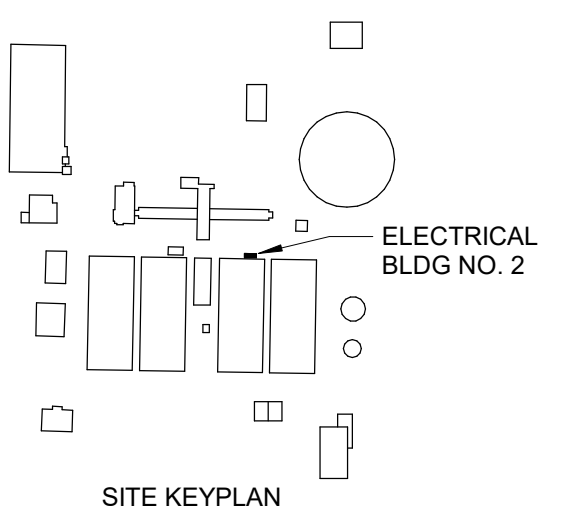
DATE:	NOVEMBER 2024
HAZEN NO.:	60711-003
CONTRACT NO.:	1
DRAWING NUMBER:	H7000

NOTES:

1. WALL MOUNT AIR HANDLERS PER MANUFACTURER RECOMMENDATIONS.
2. AIR HANDLERS SHALL BE CONTROLLED THROUGH A LEAD/LAG CONTROLLER (HVAC-CP-7101) FROM THE SAME EQUIPMENT MANUFACTURER.



BOTTOM PLAN
1/2" = 1'-0"

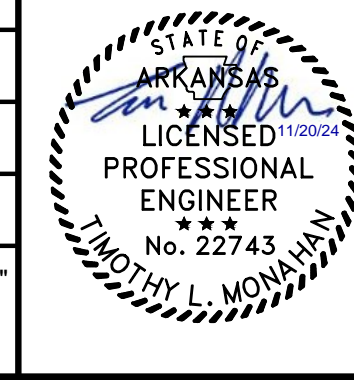


GMP SUBMITTAL. DO NOT USE FOR CONSTRUCTION.

Autodesk Docs/60711-001_Wilson_WTP_Renab_Files_Base/60711-003-7100-EBR-HVAC.rvt 11/18/2024 2:52:20 PM

REV	ISSUED FOR	DATE	BY

PROJECT MANAGER:	T. HUDSON
DESIGNED BY:	T. MONAHAN
DRAWN BY:	T. MONAHAN
PROJECT ENGINEER:	T. MONAHAN
IF THIS BAR DOES NOT MEASURE 1" THEN DRAWING IS NOT TO FULL SCALE	



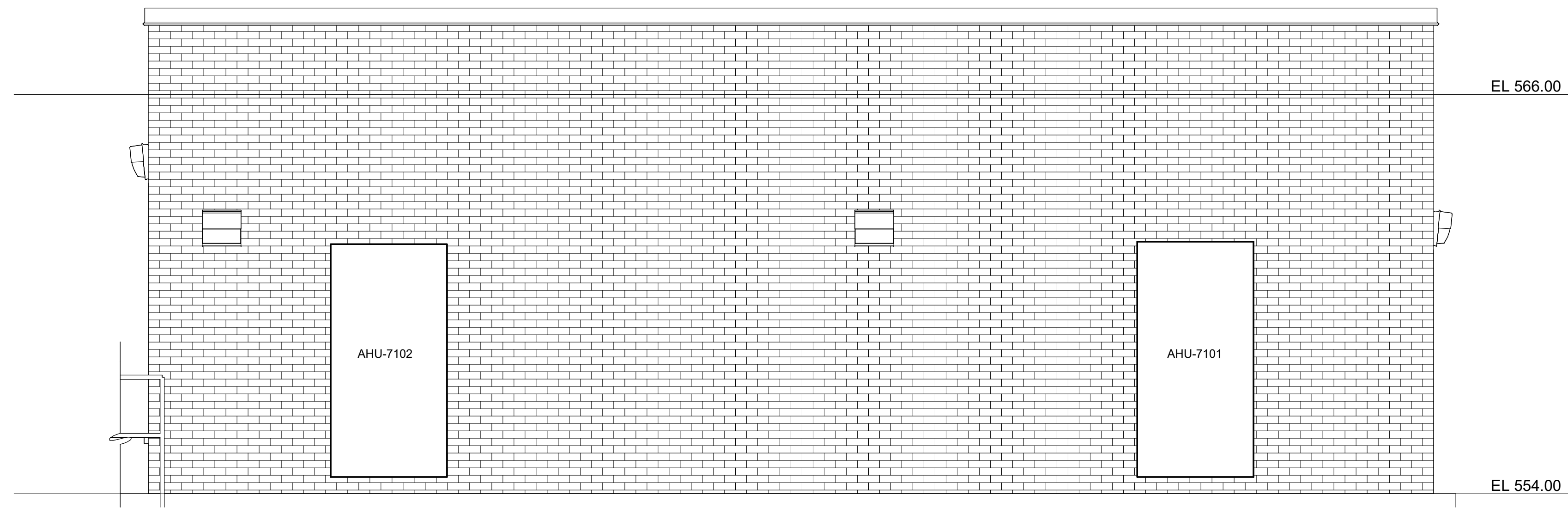
Hazen
HAZEN AND SAWYER
8150 N. CENTRAL EXPRESSWAY
TOWER II - SUITE 700
DALLAS, TEXAS 75206

CENTRAL ARKANSAS WATER
LITTLE ROCK, ARKANSAS

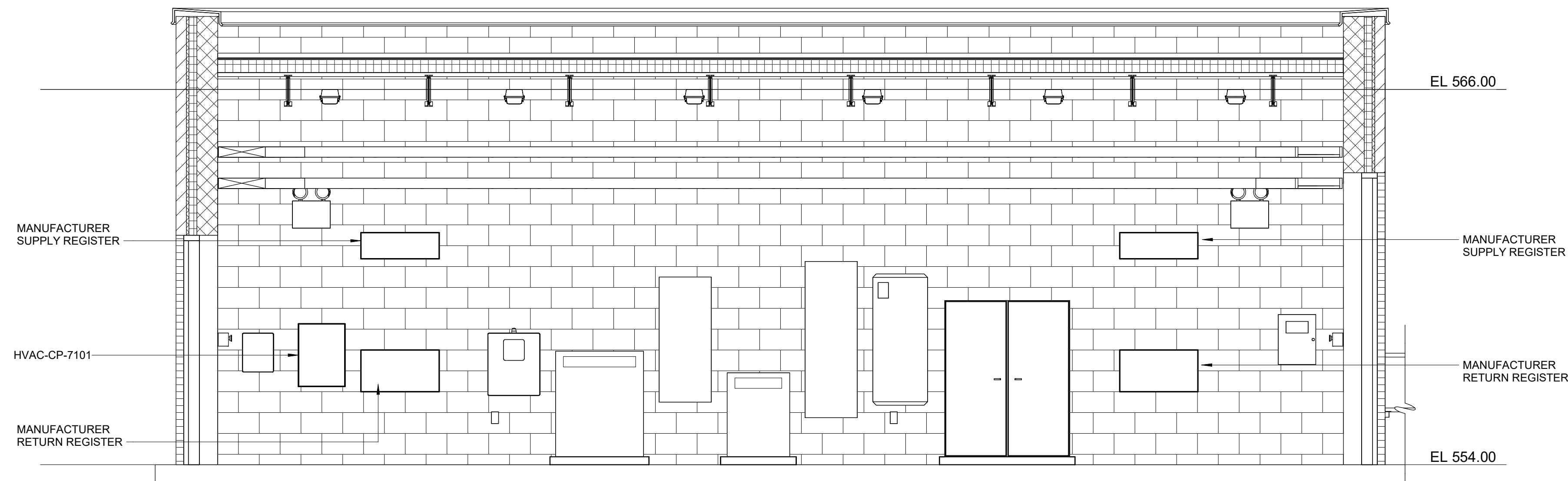
JACK H. WILSON WTP RENEWAL
AND RESILIENCY PROJECT

ELECTRICAL BUILDING NO. 2
HVAC
PLAN

DATE:	NOVEMBER 2024
HAZEN NO.:	60711-003
CONTRACT NO.:	1
DRAWING NUMBER:	H7100



SECTION A
3/8" = 1'-0" H7100



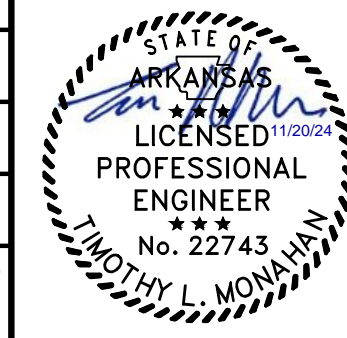
SECTION B
3/8" = 1'-0" H7100

GMP SUBMITTAL. DO NOT USE FOR CONSTRUCTION.

Autodesk_DocSet(60711-003)_Wilson_WTP_Rehab_File_Base(60711-003)-EBS-HVAC.rvt 11/20/2024 2:21:21 PM

REV	ISSUED FOR	DATE	BY

PROJECT MANAGER:	T. HUDSON
DESIGNED BY:	T. MONAHAN
DRAWN BY:	T. MONAHAN
PROJECT ENGINEER:	T. MONAHAN
IF THIS BAR DOES NOT MEASURE 1" THEN DRAWING IS NOT TO FULL SCALE	



Hazen
HAZEN AND SAWYER
8150 N. CENTRAL EXPRESSWAY
TOWER II - SUITE 700
DALLAS, TEXAS 75206

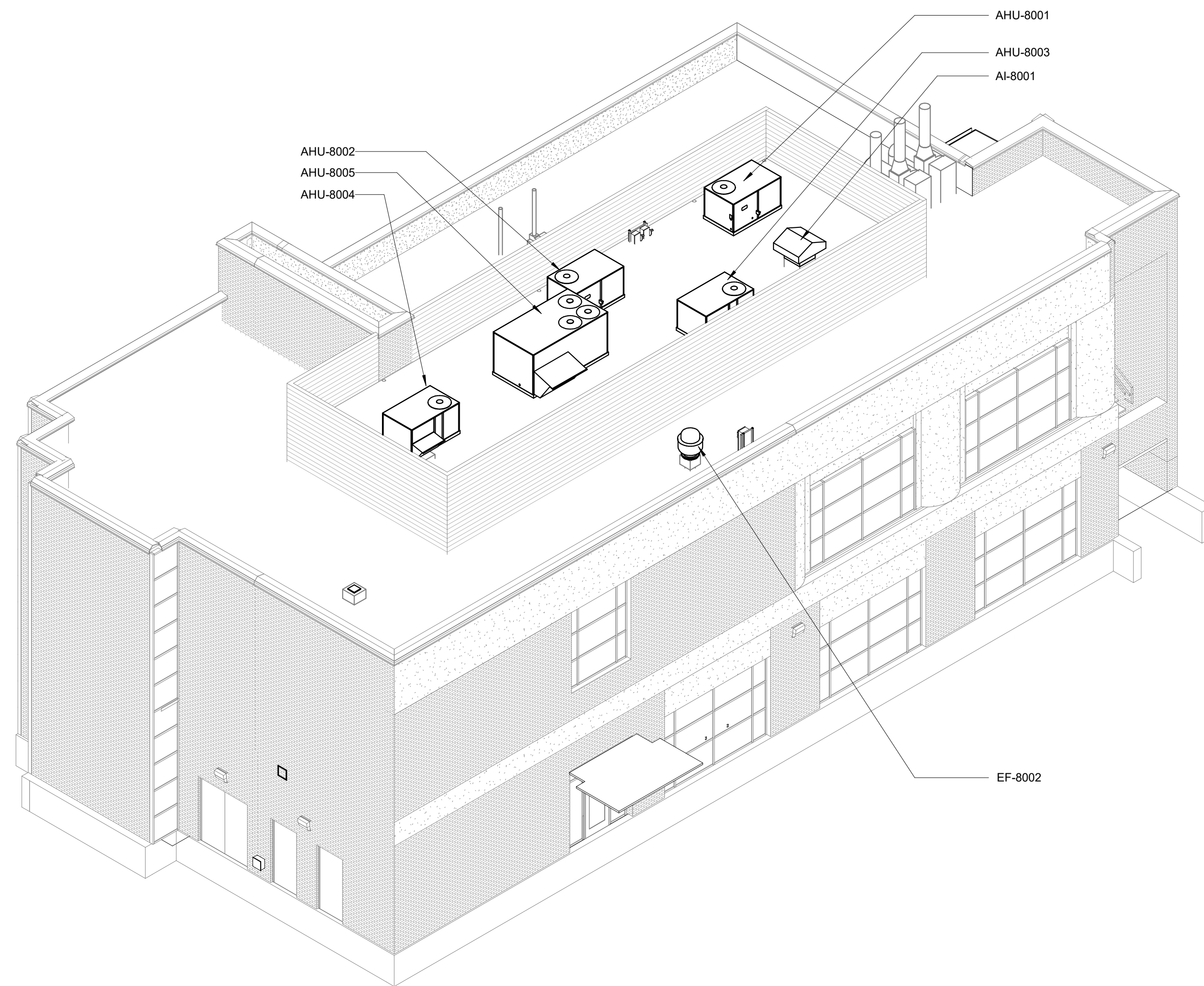
CENTRAL ARKANSAS WATER
LITTLE ROCK, ARKANSAS

JACK H. WILSON WTP RENEWAL
AND RESILIENCY PROJECT

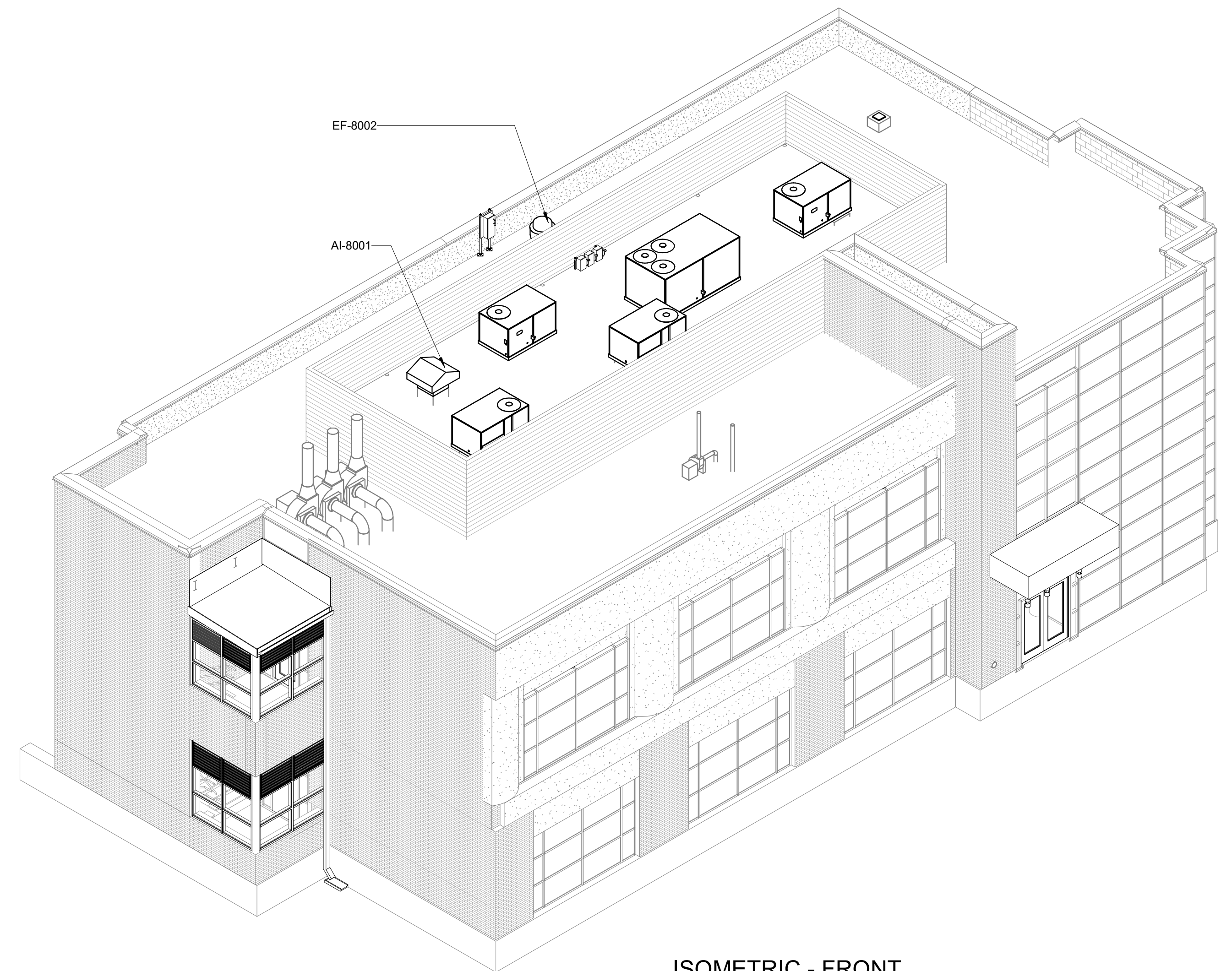
ELECTRICAL BUILDING NO. 2
HVAC
SECTIONS

DATE:	NOVEMBER 2024
HAZEN NO.:	60711-003
CONTRACT NO.:	1
DRAWING NUMBER:	H7101

NOTES:
 1. ISOMETRIC PLANS SHOWN FOR REFERENCE.



ISOMETRIC - REAR



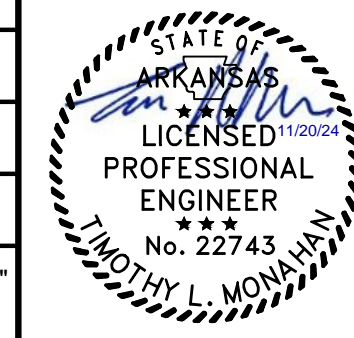
ISOMETRIC - FRONT

GMP SUBMITTAL. DO NOT USE FOR CONSTRUCTION.

Autodesk Docs/60711-001_Wilson_WTP_Rehab_Filter_Basem60711-003-8000-AB-HVAC.rvt 11/20/24 2:32:25 PM

REV	ISSUED FOR	DATE	BY

PROJECT MANAGER:	T. HUDSON
DESIGNED BY:	T. MONAHAN
DRAWN BY:	P. GREER
PROJECT ENGINEER:	T. MONAHAN
IF THIS BAR DOES NOT MEASURE 1" THEN DRAWING IS NOT TO FULL SCALE	



Hazen
 HAZEN AND SAWYER
 8150 N. CENTRAL EXPRESSWAY
 TOWER II - SUITE 700
 DALLAS, TEXAS 75206

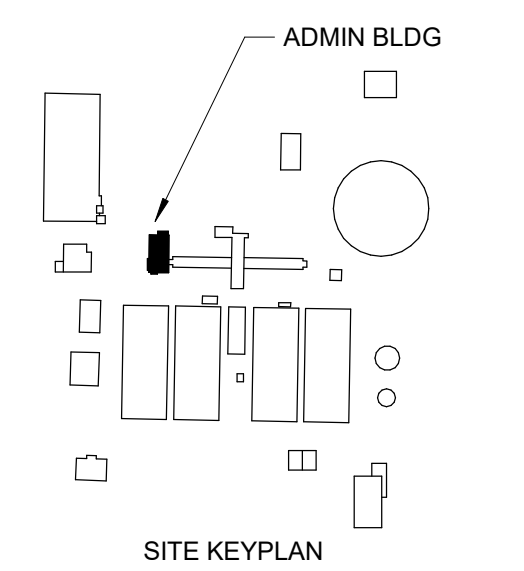
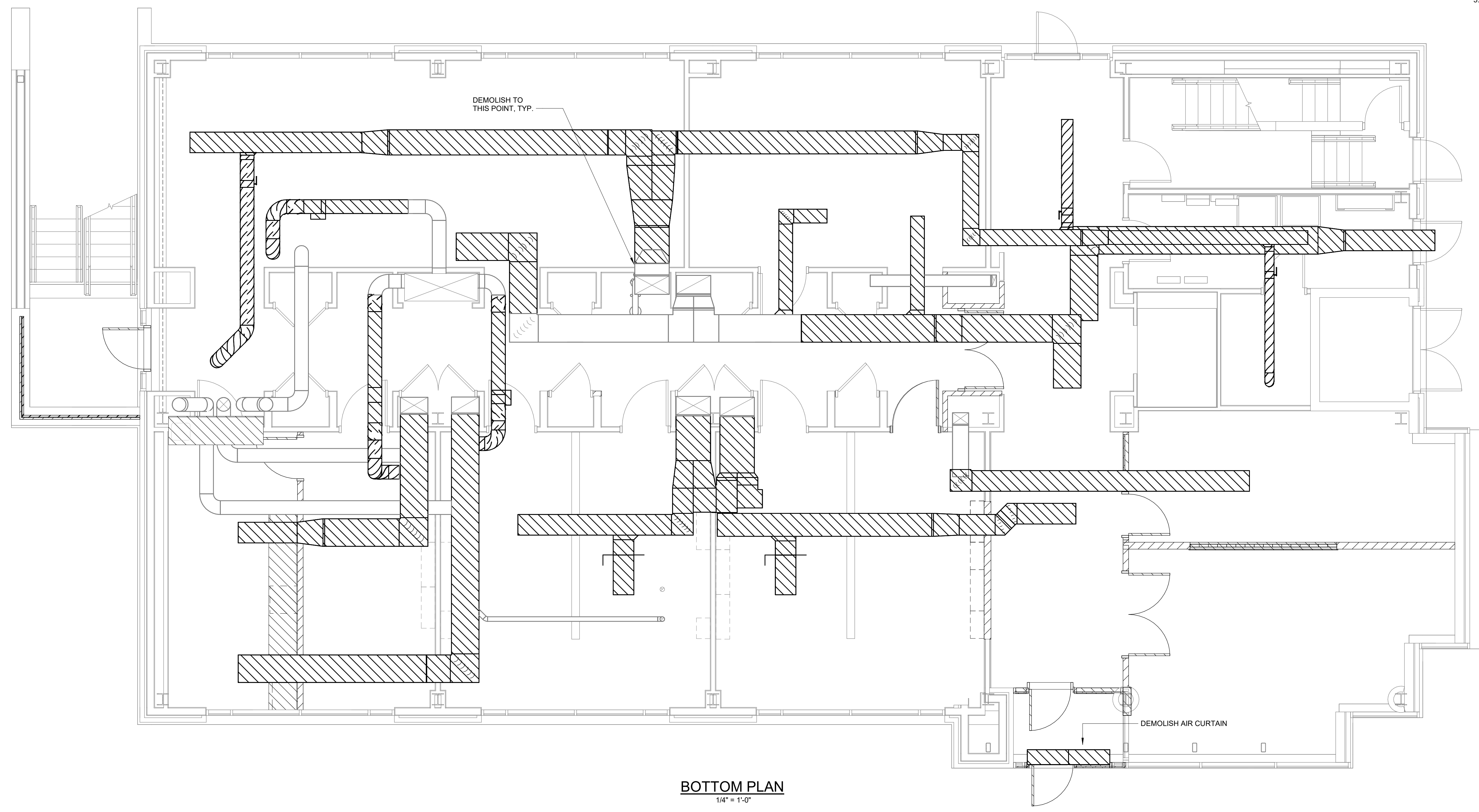
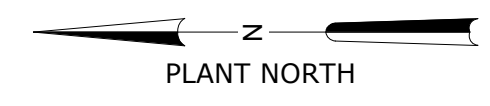
CENTRAL ARKANSAS WATER
 LITTLE ROCK, ARKANSAS
 JACK H. WILSON WTP RENEWAL
 AND RESILIENCY PROJECT

ADMIN BUILDING
 HVAC
 ADMINISTRATION BUILDING ISOMETRIC VIEWS

DATE:	NOVEMBER 2024
HAZEN NO.:	60711-003
CONTRACT NO.:	1
DRAWING NUMBER:	H8001

THESE DRAWINGS ARE NOT COMPREHENSIVE AND ARE PROVIDED FOR GENERAL INFORMATION ONLY. THEY ARE INCLUDED AS A REFERENCE TO DEMONSTRATE A GENERAL SCOPE OF STRUCTURES AND EQUIPMENT TO BE IMPROVED.

- NOTES:**
1. CONTRACTOR SHALL FIELD VERIFY ALL EXISTING DUCTWORK AND ASSOCIATED APPURTENANCES. CONTRACTOR SHALL REMOVE AND DEMOLISH EQUIPMENT AS INDICATED.
 2. PLANS ARE BASED ON RECORD DRAWINGS AND DO NOT INDICATE ALL POTENTIAL CONFLICTS. CONTRACTOR SHALL NOTIFY ENGINEER OF SIGNIFICANT DIFFERENCES BETWEEN EXISTING CONDITIONS AND PLANS.
 3. DEMOLISH ALL EXISTING SUPPLY AND RETURN GRILLES IN THE LAY-IN CEILING.
 4. DEMOLISH ALL INSULATION AROUND ACCESSIBLE RETAINED DUCT.
 5. DEMOLISH THERMOSTATS



BOTTOM PLAN
1/4" = 1'-0"

GMP SUBMITTAL. DO NOT USE FOR CONSTRUCTION.

Autodesk_Docs\60711-001_Wilson_WTP_Rehab_Plan_Basem60711-003-800-AB-HVAC.rvt 11/18/2024 4:38:27 PM

REV	ISSUED FOR	DATE	BY

PROJECT MANAGER:	T. HUDSON
DESIGNED BY:	T. MONAHAN
DRAWN BY:	P. GREER
PROJECT ENGINEER:	T. MONAHAN
IF THIS BAR DOES NOT MEASURE 1" THEN DRAWING IS NOT TO FULL SCALE	0 1/2" 1"



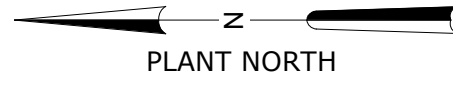
Hazen
HAZEN AND SAWYER
8150 N. CENTRAL EXPRESSWAY
TOWER II - SUITE 700
DALLAS, TEXAS 75206

CENTRAL ARKANSAS WATER
LITTLE ROCK, ARKANSAS

JACK H. WILSON WTP RENEWAL
AND RESILIENCY PROJECT

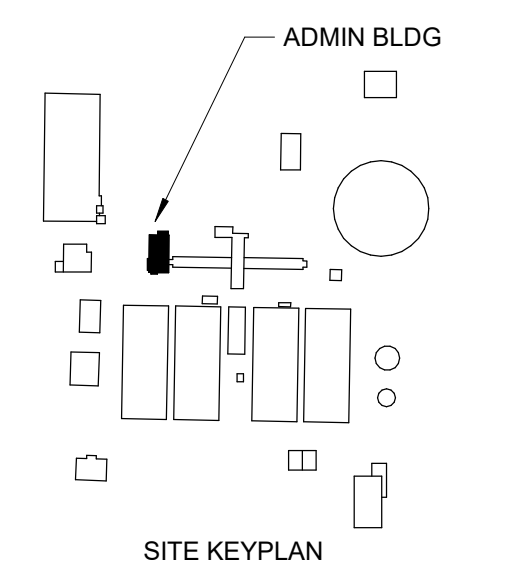
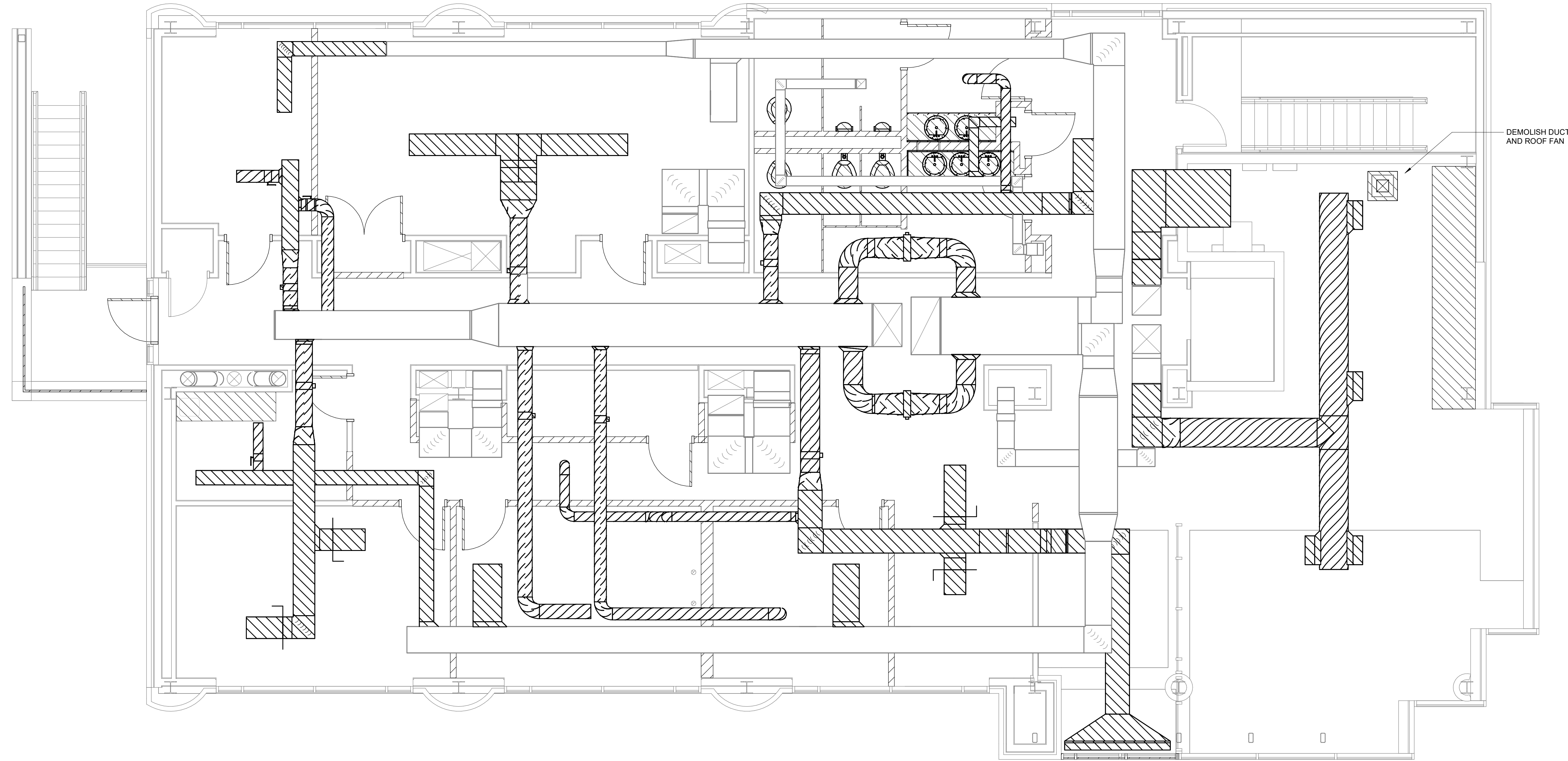
ADMIN BUILDING
HVAC
BOTTOM PLAN DEMOLITION

DATE:	NOVEMBER 2024
HAZEN NO.:	60711-003
CONTRACT NO.:	1
DRAWING NUMBER:	H8002



THESE DRAWINGS ARE NOT COMPREHENSIVE AND ARE PROVIDED FOR GENERAL INFORMATION ONLY. THEY ARE INCLUDED AS A REFERENCE TO DEMONSTRATE A GENERAL SCOPE OF STRUCTURES AND EQUIPMENT TO BE IMPROVED.

- NOTES:**
1. CONTRACTOR SHALL FIELD VERIFY ALL EXISTING DUCTWORK AND ASSOCIATED APPURTENANCES. CONTRACTOR SHALL REMOVE AND DEMOLISH EQUIPMENT AS INDICATED.
 2. PLANS ARE BASED ON RECORD DRAWINGS AND DO NOT INDICATE ALL POTENTIAL CONFLICTS. CONTRACTOR SHALL NOTIFY ENGINEER OF SIGNIFICANT DIFFERENCES BETWEEN EXISTING CONDITIONS AND PLANS.
 3. PATCH UNUSED DUCT OPENINGS IN RETAINED DUCT.
 4. DEMOLISH ALL EXISTING SUPPLY AND RETURN GRILLES IN THE LAY-IN CEILING.
 5. DEMOLISH ALL INSULATION AROUND ACCESSIBLE RETAINED DUCT.
 6. DEMOLISH THERMOSTATS



INTERMEDIATE PLAN
1/4" = 1'-0"

GMP SUBMITTAL. DO NOT USE FOR CONSTRUCTION.

Autodesk_Docs\60711-003_Wilson_WTP_Rehab_Filter_Basins\60711-003-800-AB-HVAC.rvt 11/12/2024 4:28:28 PM

REV	ISSUED FOR	DATE	BY

PROJECT MANAGER:	T. HUDSON
DESIGNED BY:	T. MONAHAN
DRAWN BY:	P. GREER
PROJECT ENGINEER:	T. MONAHAN
IF THIS BAR DOES NOT MEASURE 1" THEN DRAWING IS NOT TO FULL SCALE	



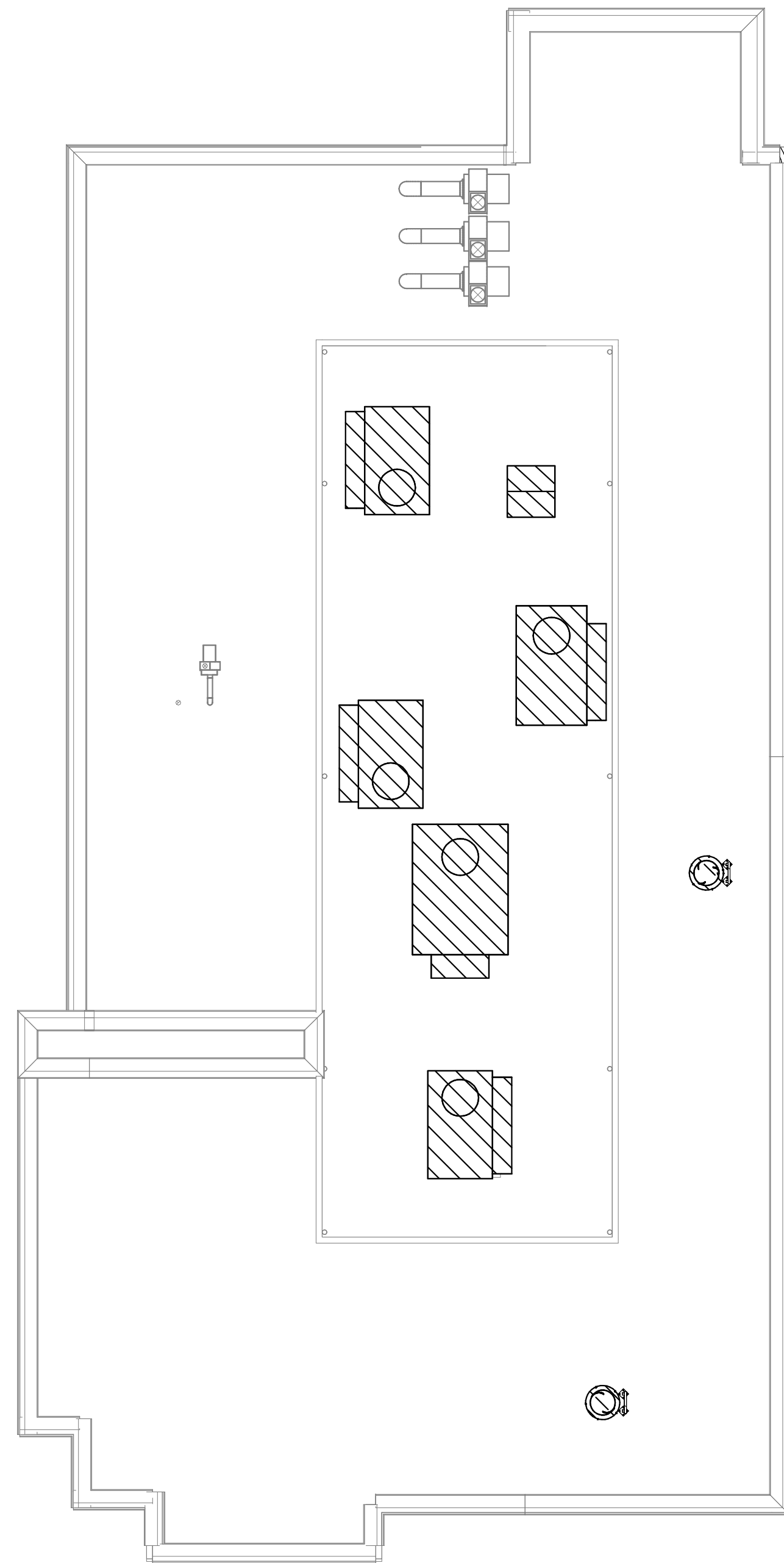
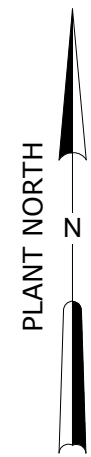
Hazen
HAZEN AND SAWYER
8150 N. CENTRAL EXPRESSWAY
TOWER II - SUITE 700
DALLAS, TEXAS 75206

CENTRAL ARKANSAS WATER
LITTLE ROCK, ARKANSAS

JACK H. WILSON WTP RENEWAL
AND RESILIENCY PROJECT

ADMIN BUILDING
HVAC
INTERMEDIATE PLAN DEMOLITION

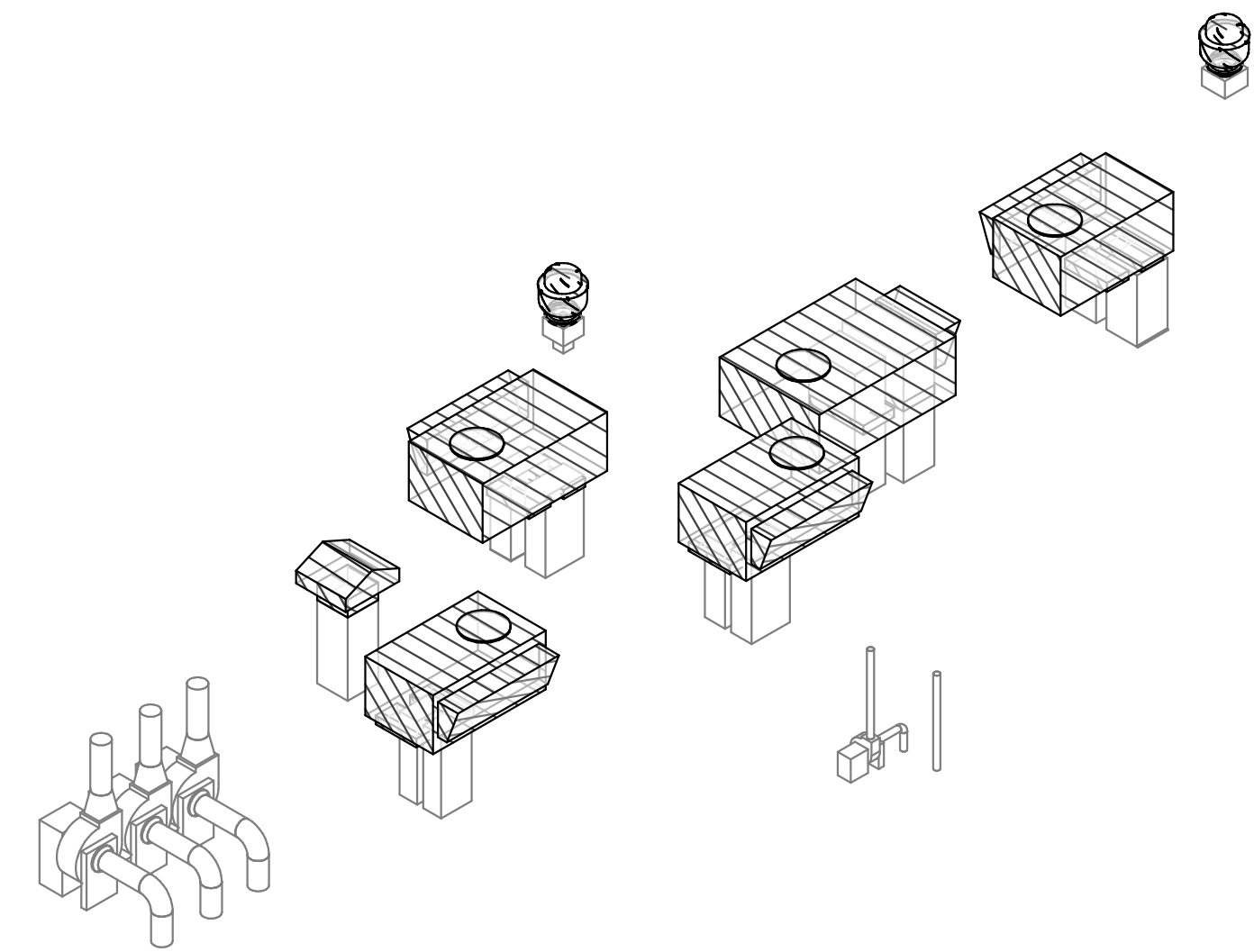
DATE:	NOVEMBER 2024
HAZEN NO.:	60711-003
CONTRACT NO.:	1
DRAWING NUMBER:	H8003



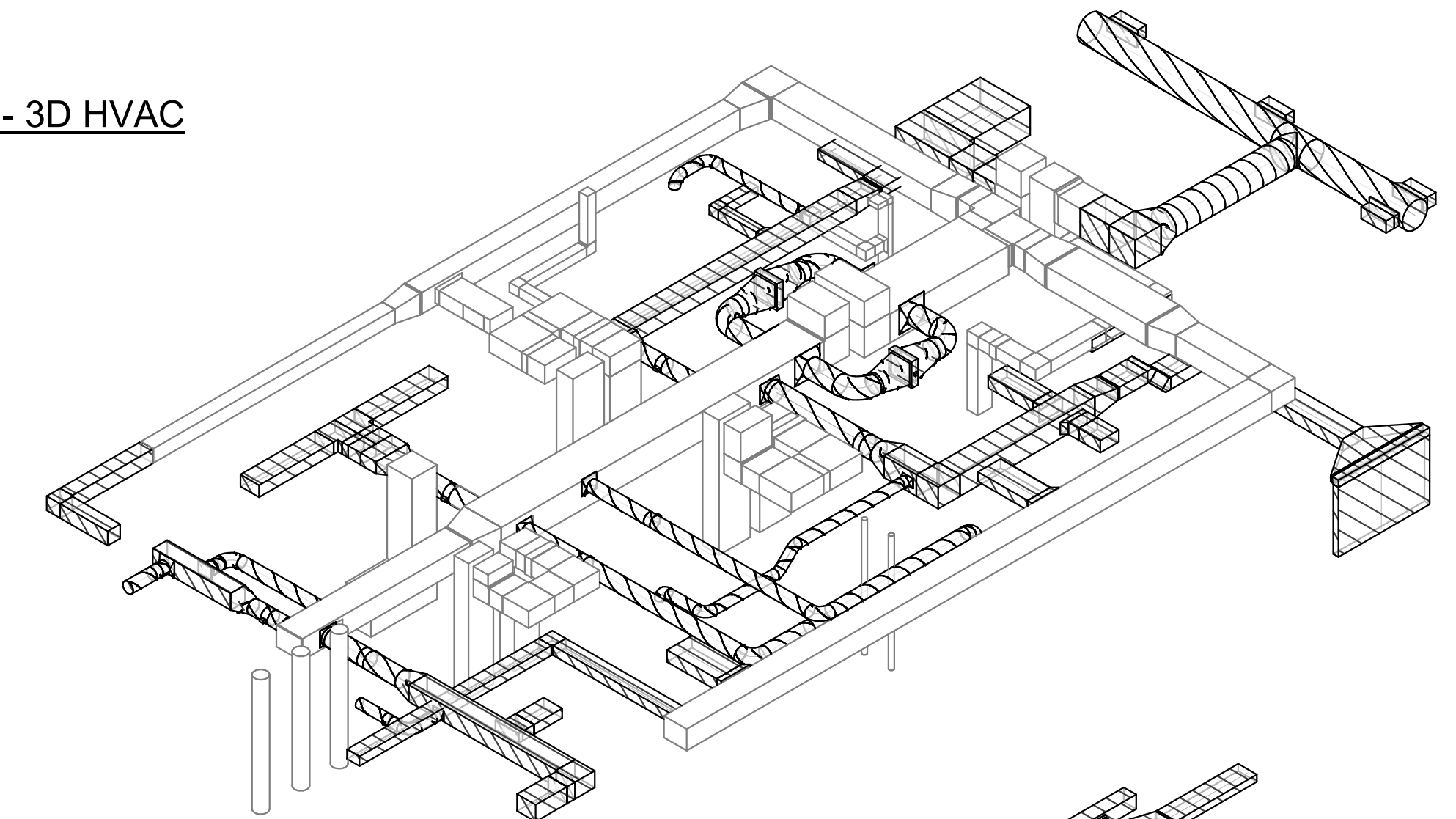
ROOF PLAN DEMOLITION
1/8" = 1'-0"

NOTES:

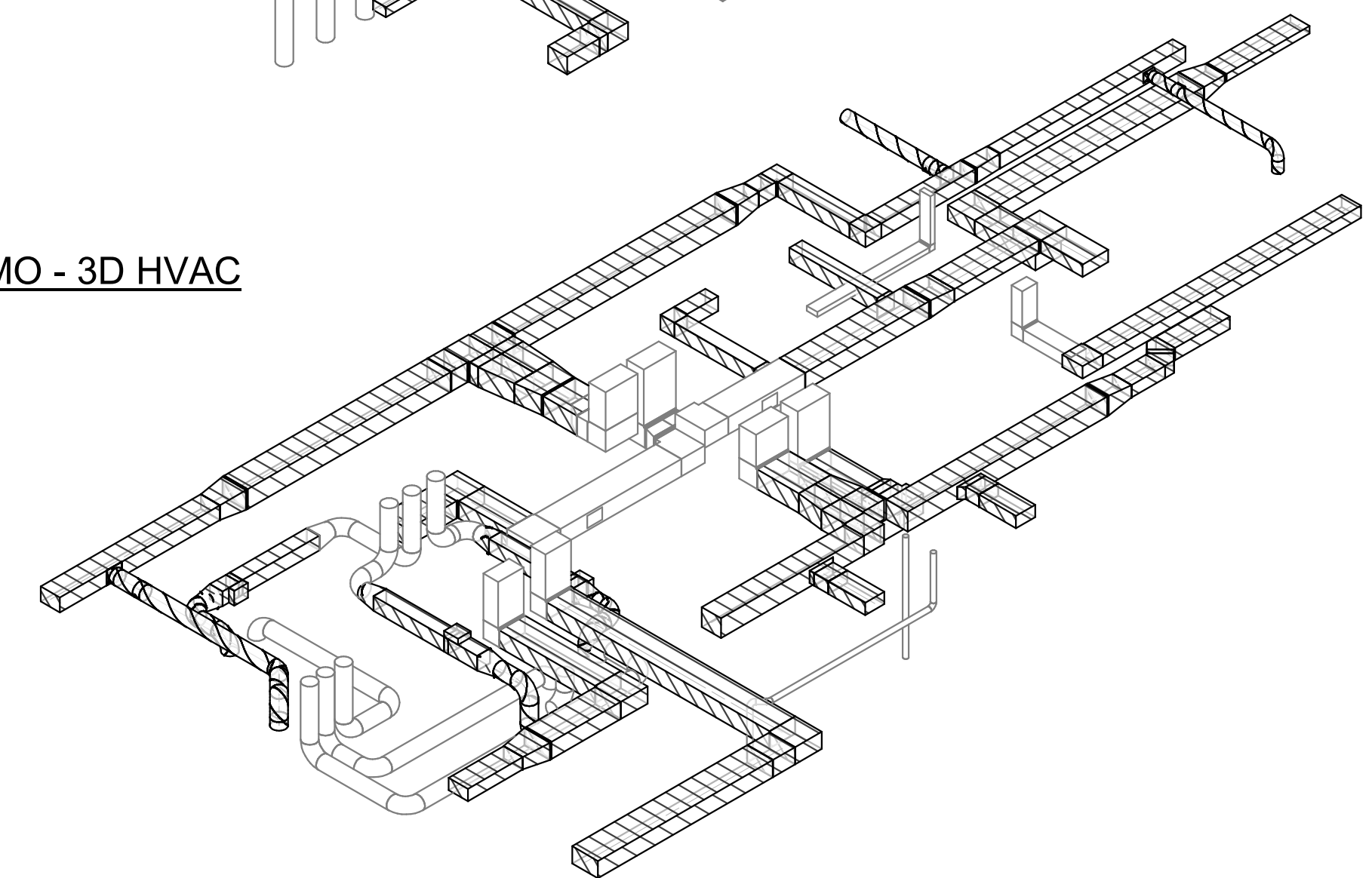
1. CONTRACTOR SHALL FIELD VERIFY ALL EXISTING DUCTWORK AND ASSOCIATED APPURTENANCES. CONTRACTOR SHALL REMOVE AND DEMOLISH EQUIPMENT AS INDICATED.
2. PLANS ARE BASED ON RECORD DRAWINGS AND DO NOT INDICATE ALL POTENTIAL CONFLICTS. CONTRACTOR SHALL NOTIFY ENGINEER OF SIGNIFICANT DIFFERENCES BETWEEN EXISTING CONDITIONS AND PLANS.
3. DEMOLISH ROOFTOP AIR HANDLERS INDICATED. DEMOLISH OR REPAIR GRATED WALK AND EQUIPMENT MOUNTING.
4. DEMOLISH CONDENSATE PIPING.
5. DEMOLISH GAS PIPING ON ROOF UP TO ROOFLINE AND CAP FOR REUSE, SEE PLUMBING PLANS.



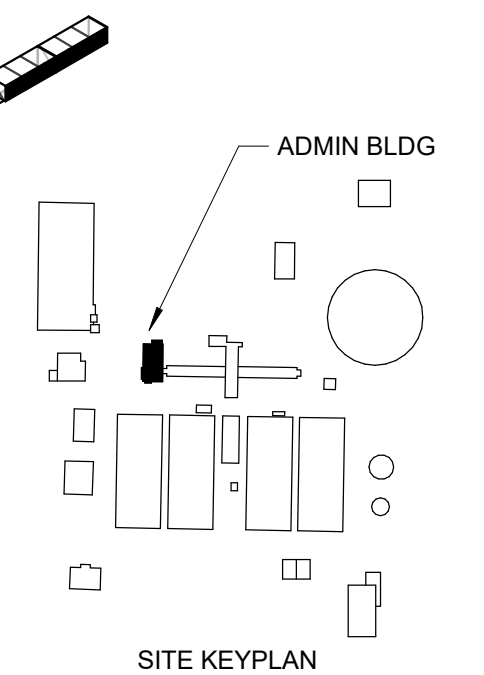
ROOF DEMO - 3D HVAC



2ND FLOOR DEMO - 3D HVAC



1ST FLOOR DEMO - 3D HVAC

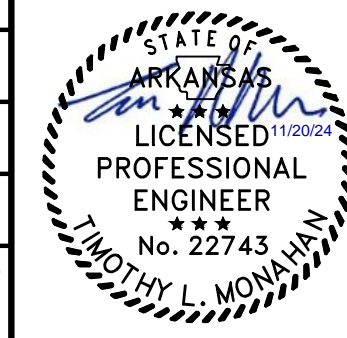


GMP SUBMITTAL. DO NOT USE FOR CONSTRUCTION.

Autodesk_Docs\60711-003_Wilson_WTP_Rehab_Filter_Basins\60711-003-800-AB-HVAC.rvt 11/20/24 4:28:30 PM

REV	ISSUED FOR	DATE	BY

PROJECT MANAGER:	T. HUDSON
DESIGNED BY:	T. MONAHAN
DRAWN BY:	P. GREER
PROJECT ENGINEER:	T. MONAHAN
IF THIS BAR DOES NOT MEASURE 1" THEN DRAWING IS NOT TO FULL SCALE	
0	1/2" 1"



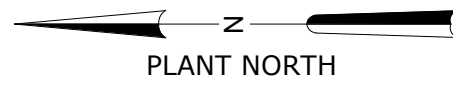
Hazen
HAZEN AND SAWYER
8150 N. CENTRAL EXPRESSWAY
TOWER II - SUITE 700
DALLAS, TEXAS 75206

CENTRAL ARKANSAS WATER
LITTLE ROCK, ARKANSAS

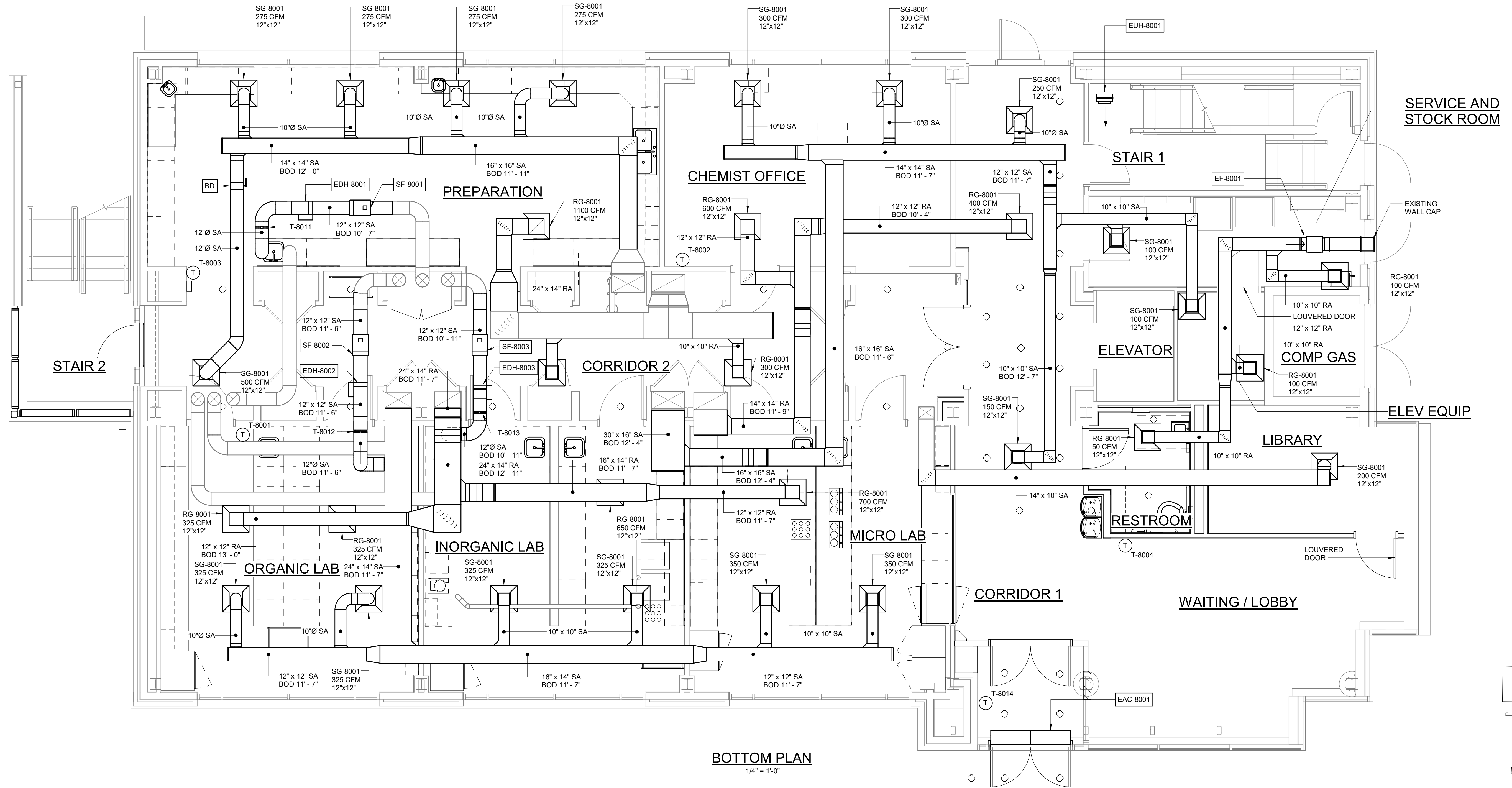
JACK H. WILSON WTP RENEWAL
AND RESILIENCY PROJECT

ADMIN BUILDING
HVAC
ROOF PLAN DEMOLITION & ISOMETRIC

DATE:	NOVEMBER 2024
HAZEN NO.:	60711-003
CONTRACT NO.:	1
DRAWING NUMBER:	H8004



- NOTES:**
- CONNECT DUCT INTO EXISTING SYSTEM. FIELD VERIFY EXISTING SIZE.
 - PROVIDE NEW INSULATION FOR ALL ACCESSIBLE DUCT, EXISTING AND NEW IN ACCORDANCE WITH SPECIFICATION 23 07 00 - HVAC INSULATION.
 - PROVIDE VOLUME DAMPERS AT THE BRANCH TAKEOFFS FROM THE TRUNK FOR EACH SUPPLY & RETURN.
 - PROVIDE ALL RETAINED DUCTWORK WITH NEW INSULATION AND JACKETING.



BOTTOM PLAN
1/4" = 1'-0"

GMP SUBMITTAL. DO NOT USE FOR CONSTRUCTION.

Autodesk_Docs\60711-001_Wilson_WTP_Renab_Plan_Basem60711-003-800-AB-HVAC.rvt 11/20/24 2:28:31 PM

REV	ISSUED FOR	DATE	BY

PROJECT MANAGER:	T. HUDSON
DESIGNED BY:	T. MONAHAN
DRAWN BY:	P. GREER
PROJECT ENGINEER:	T. MONAHAN
IF THIS BAR DOES NOT MEASURE 1" THEN DRAWING IS NOT TO FULL SCALE	



Hazen

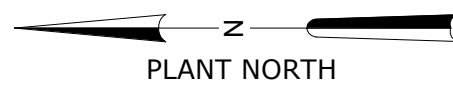
HAZEN AND SAWYER
8150 N. CENTRAL EXPRESSWAY
TOWER II - SUITE 700
DALLAS, TEXAS 75206

CENTRAL ARKANSAS WATER
LITTLE ROCK, ARKANSAS

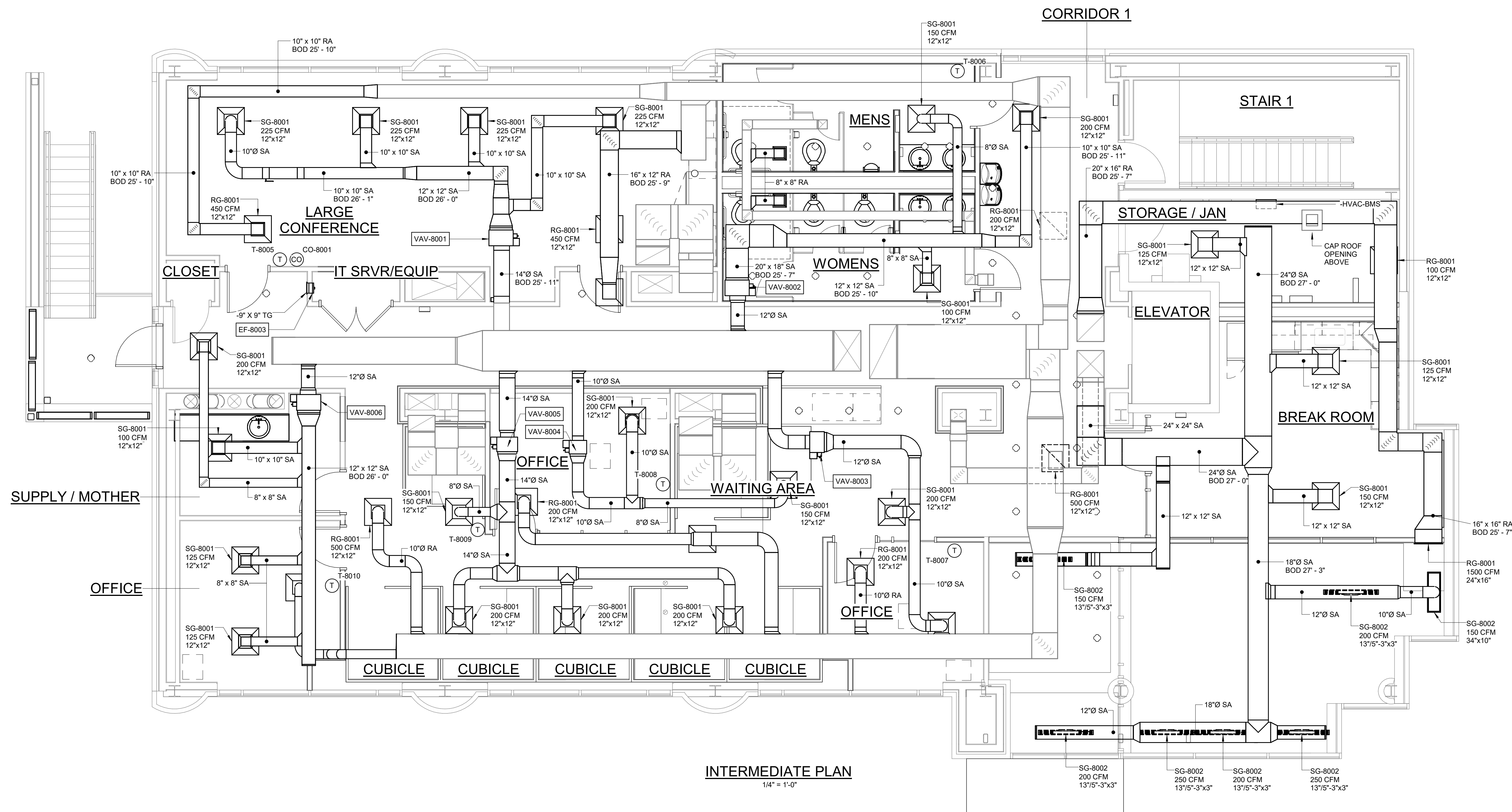
JACK H. WILSON WTP RENEWAL
AND RESILIENCY PROJECT

ADMIN BUILDING
HVAC
BOTTOM PLAN

DATE:	NOVEMBER 2024
HAZEN NO.:	60711-003
CONTRACT NO.:	1
DRAWING NUMBER:	H8005



- NOTES:**
- CONNECT DUCT INTO EXISTING SYSTEM. FIELD VERIFY EXISTING SIZE.
 - PROVIDE NEW INSULATION FOR ALL ACCESSIBLE DUCT, EXISTING AND NEW IN ACCORDANCE WITH SPECIFICATION 23 07 00 - HVAC INSULATION.
 - PROVIDE VOLUME DAMPERS AT THE BRANCH TAKEOFFS FROM THE TRUNK FOR EACH SUPPLY & RETURN.
 - PROVIDE ALL RETAINED DUCTWORK WITH NEW INSULATION AND JACKETING.



INTERMEDIATE PLAN
1/4" = 1'-0"

GMP SUBMITTAL. DO NOT USE FOR CONSTRUCTION.

Autodesk_Documents\60711-001_Wilson_WTP_Renewal_File_Basins\60711-003-8000-AB-HVAC.rvt 11/18/2024 4:28:33 PM

PROJECT MANAGER:	T. HUDSON		
DESIGNED BY:	T. MONAHAN		
DRAWN BY:	P. GREER		
PROJECT ENGINEER:	T. MONAHAN		
IF THIS BAR DOES NOT MEASURE 1" THEN DRAWING IS NOT TO FULL SCALE			
REV	ISSUED FOR	DATE	BY



Hazen

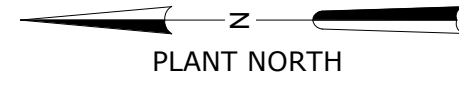
HAZEN AND SAWYER
8150 N. CENTRAL EXPRESSWAY
TOWER II - SUITE 700
DALLAS, TEXAS 75206

CENTRAL ARKANSAS WATER
LITTLE ROCK, ARKANSAS

JACK H. WILSON WTP RENEWAL
AND RESILIENCY PROJECT

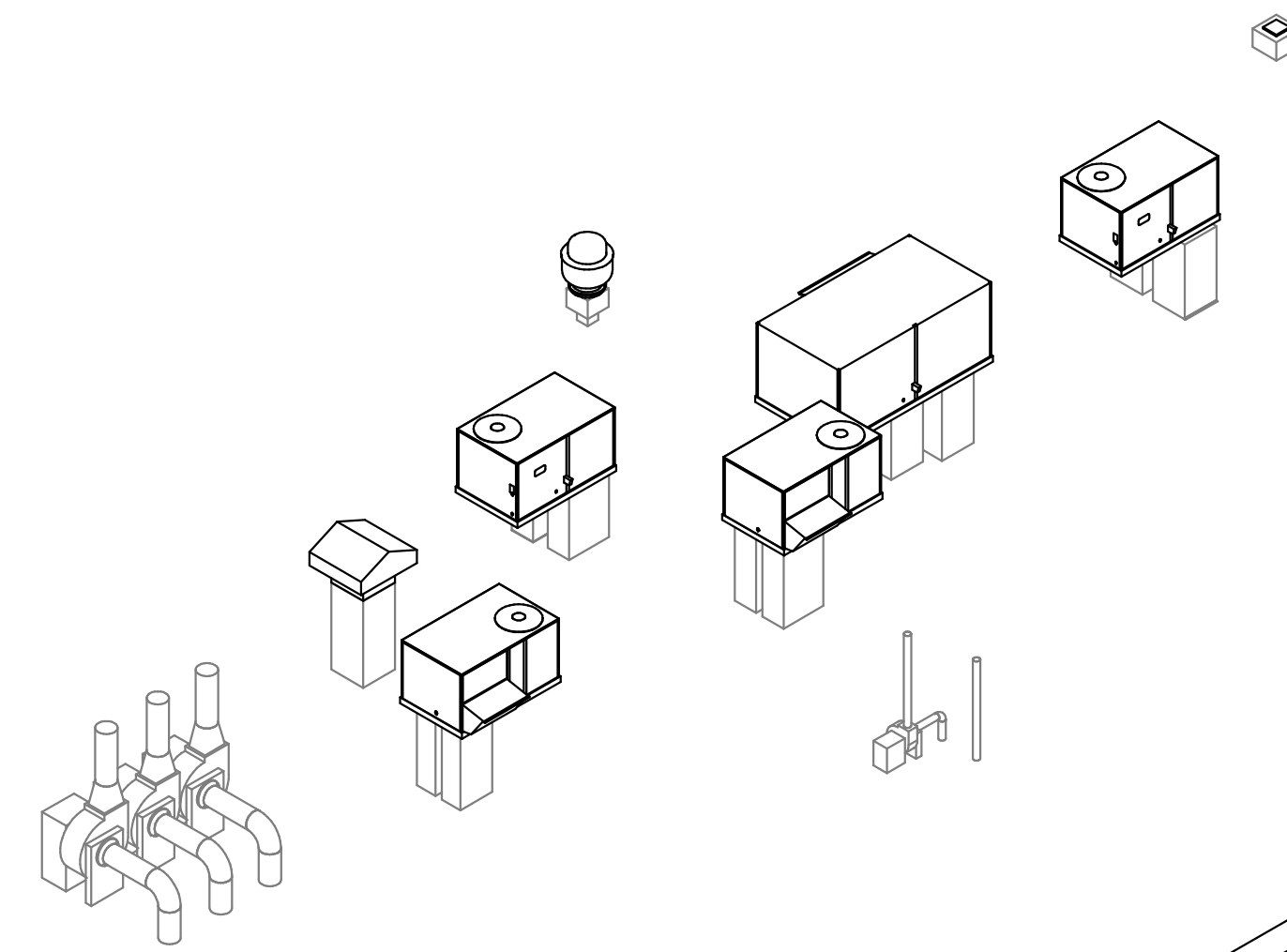
ADMIN BUILDING
HVAC
INTERMEDIATE PLAN

DATE:	NOVEMBER 2024
HAZEN NO.:	60711-003
CONTRACT NO.:	1
DRAWING NUMBER:	H8006

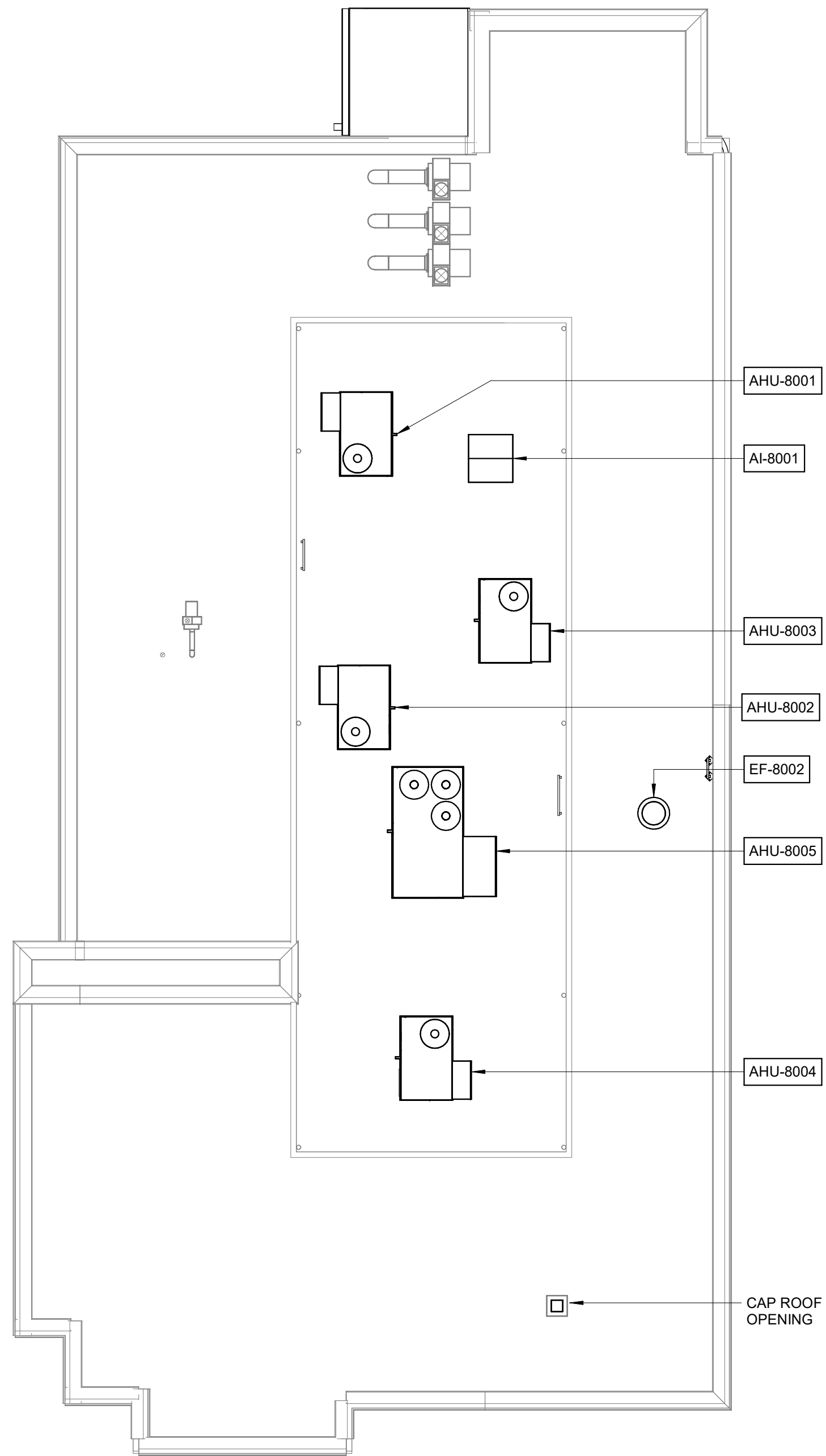


NOTES:

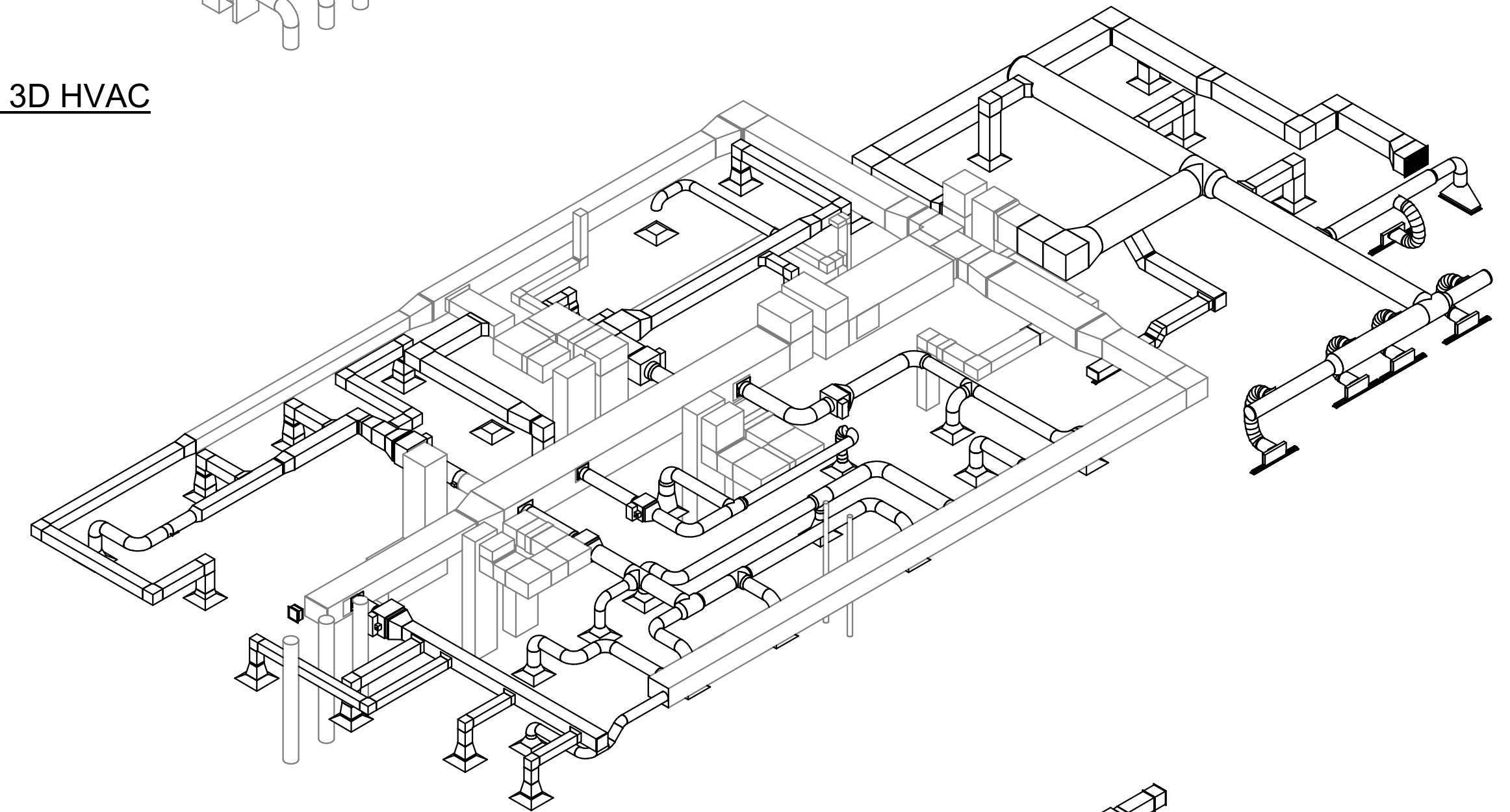
1. CONNECT DUCT INTO EXISTING SYSTEM. FIELD VERIFY EXISTING SIZE.
2. PROVIDE NEW INSULATION FOR ALL ACCESSIBLE DUCT, EXISTING AND NEW IN ACCORDANCE WITH SPECIFICATION 23 07 00 - HVAC INSULATION.
3. PROVIDE VOLUME DAMPERS AT THE BRANCH TAKEOFFS FROM THE TRUNK FOR EACH SUPPLY & RETURN.
4. CONNECT NEW ROOFTOP EQUIPMENT INTO EXISTING DUCT DROPS.
5. ROUTE GAS PIPING UNDER METAL GRATING TO NEW EQUIPMENT.
6. ROUTE CONDENSATE TO NEAREST ROOF DRAIN.
7. CAP UNUSED ROOF OPENING. SEE ARCH PLANS AND DETAILS.



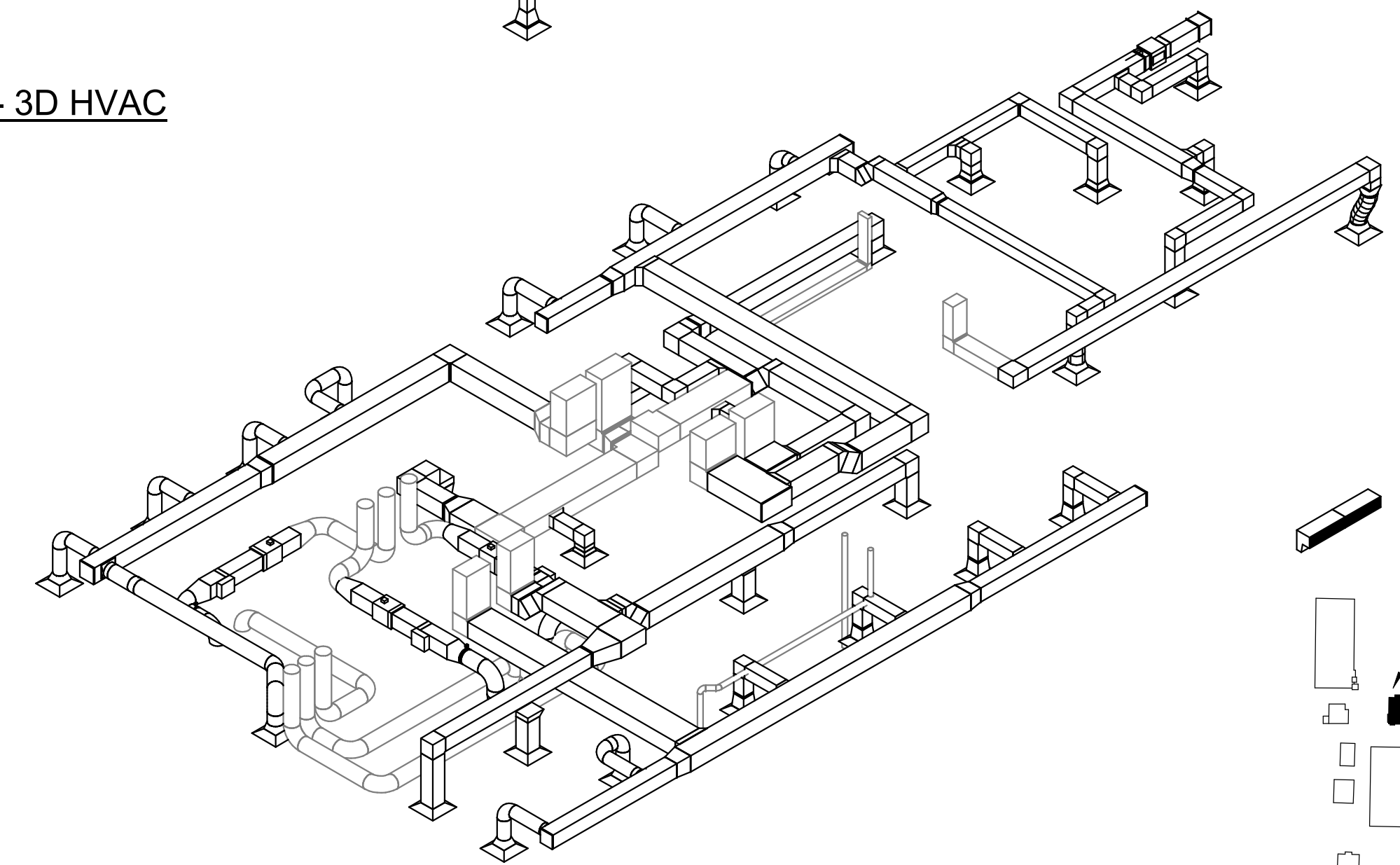
ROOF - 3D HVAC



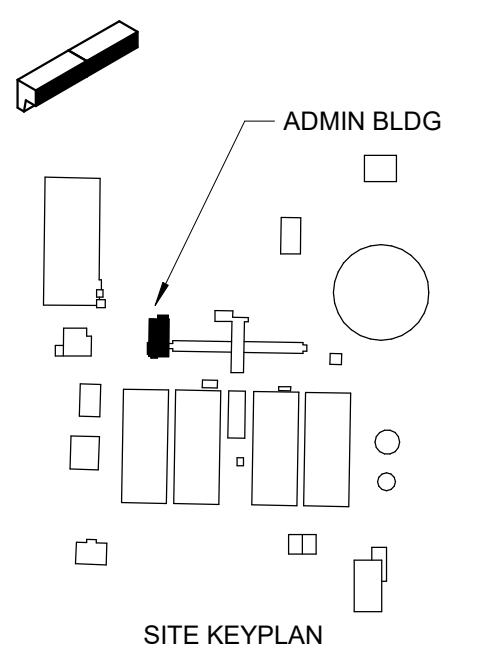
ROOF PLAN
1/8" = 1'-0"



2ND FLOOR - 3D HVAC



1ST FLOOR - 3D HVAC

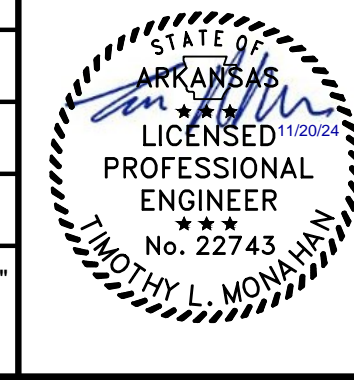


GMP SUBMITTAL. DO NOT USE FOR CONSTRUCTION.

Autodesk_Docs\60711-001_Wilson_WTP_Rehab_Files_Basins\60711-003-8000-AB-HVAC.rvt 11/15/2024 12:28:34 PM

REV	ISSUED FOR	DATE	BY

PROJECT MANAGER:	T. HUDSON
DESIGNED BY:	T. MONAHAN
DRAWN BY:	P. GREER
PROJECT ENGINEER:	T. MONAHAN
IF THIS BAR DOES NOT MEASURE 1" THEN DRAWING IS NOT TO FULL SCALE	



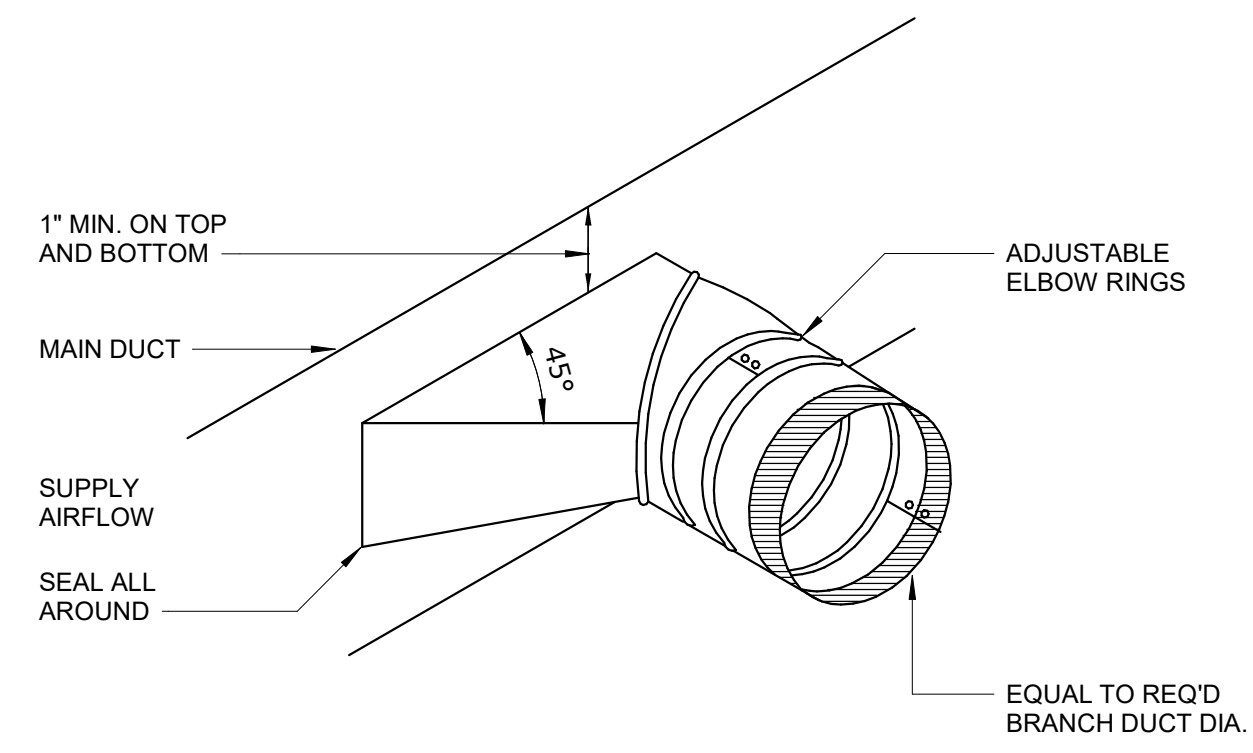
Hazen
HAZEN AND SAWYER
8150 N. CENTRAL EXPRESSWAY
TOWER II - SUITE 700
DALLAS, TEXAS 75206

CENTRAL ARKANSAS WATER
LITTLE ROCK, ARKANSAS

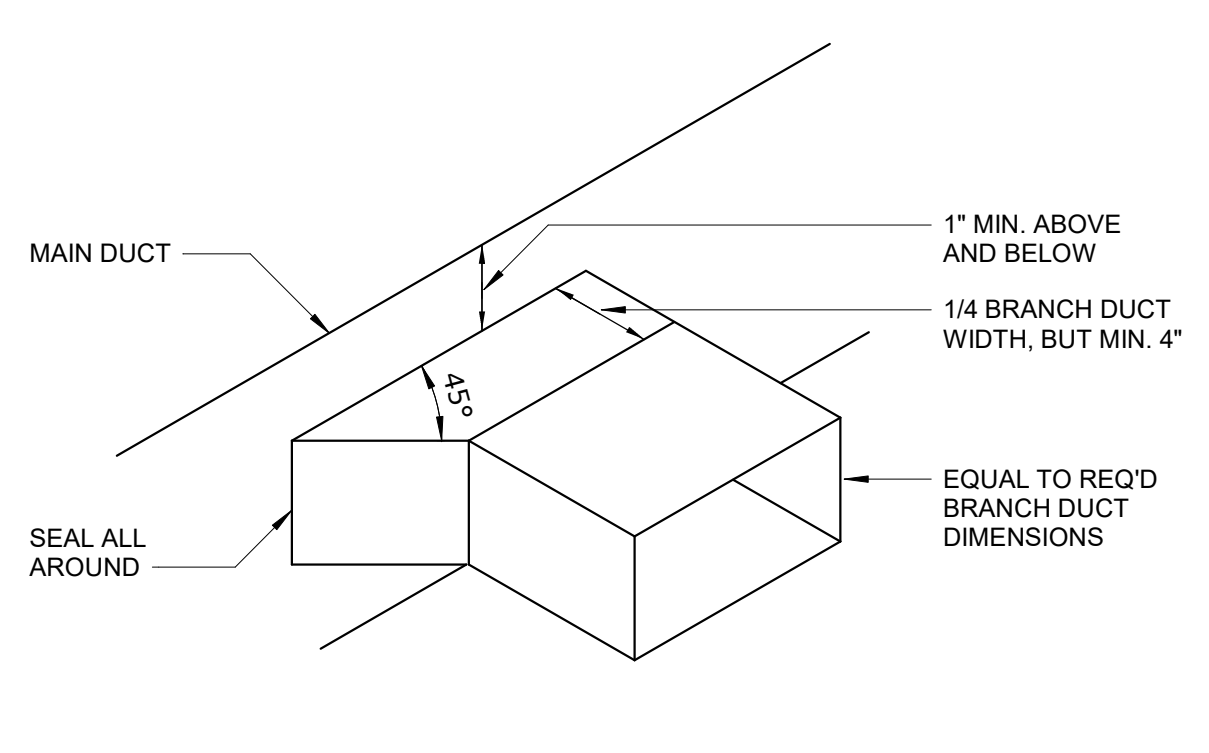
JACK H. WILSON WTP RENEWAL
AND RESILIENCY PROJECT

ADMIN BUILDING
HVAC
ROOF PLAN & ISOMETRIC

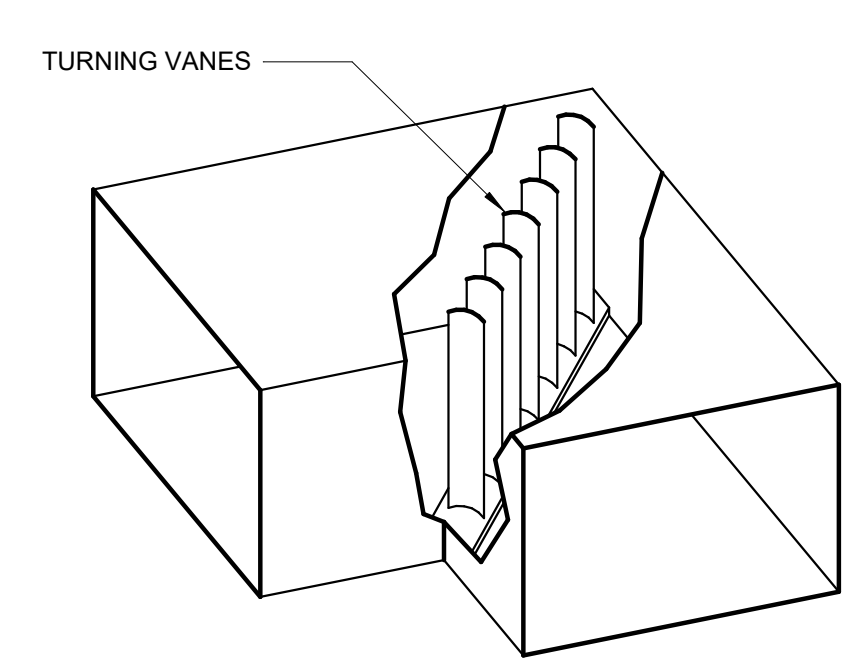
DATE:	NOVEMBER 2024
HAZEN NO.:	60711-003
CONTRACT NO.:	1
DRAWING NUMBER:	H8007



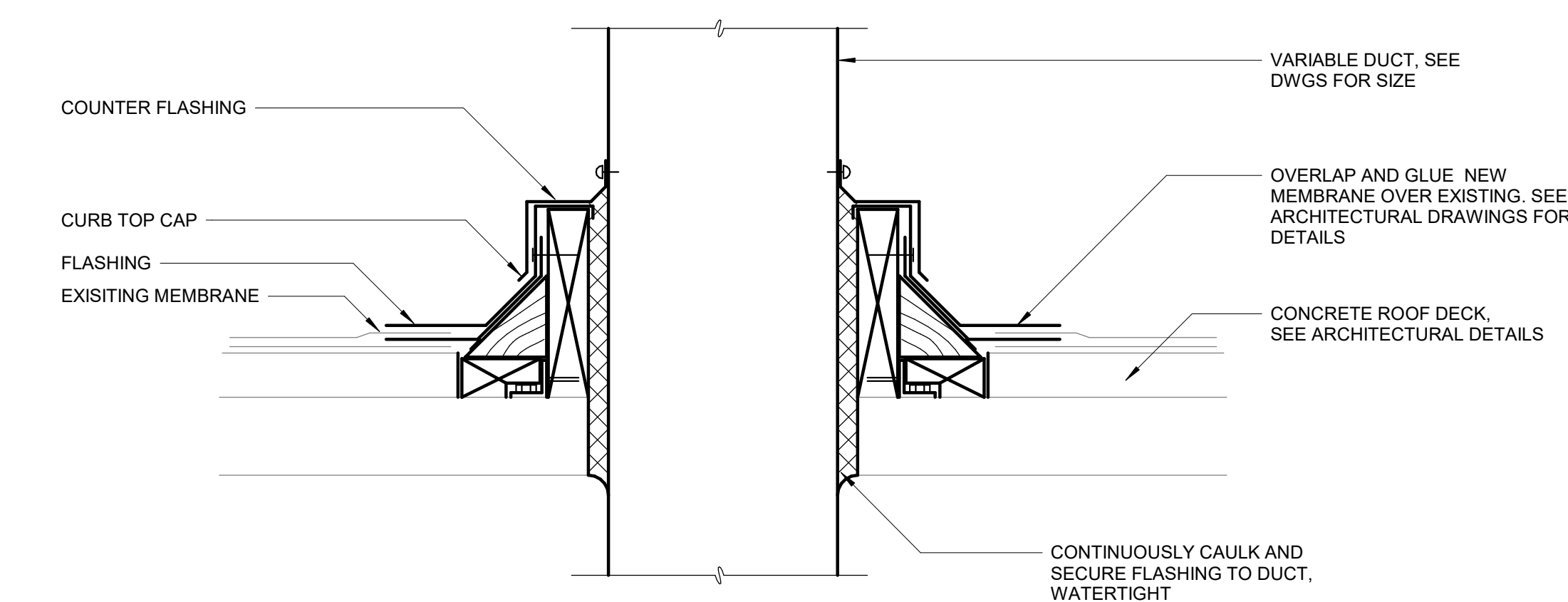
TYPICAL BRANCH TAKE-OFF
H-23-0103



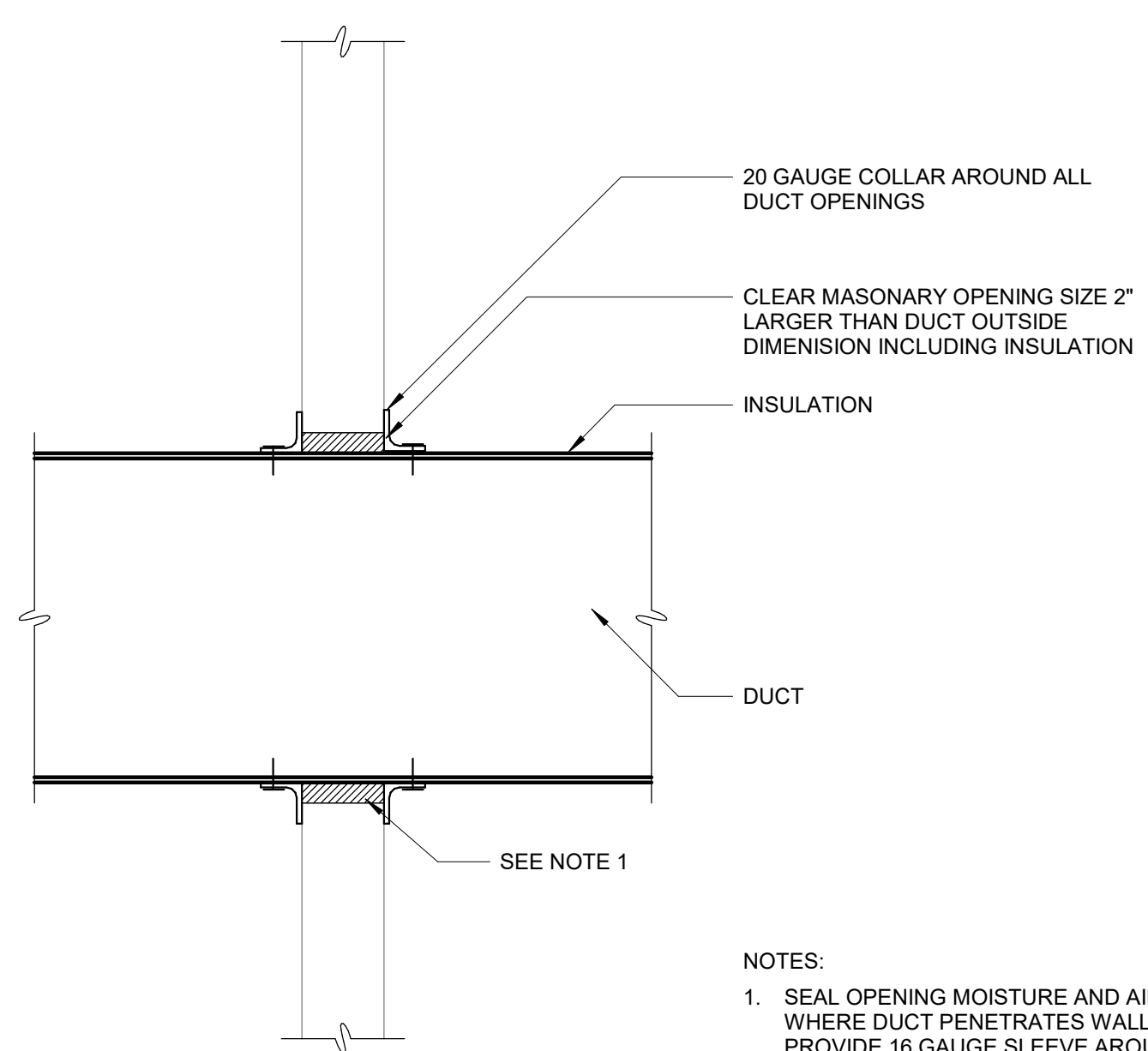
TYPICAL FLEXIBLE CONNECTION
H-23-0107



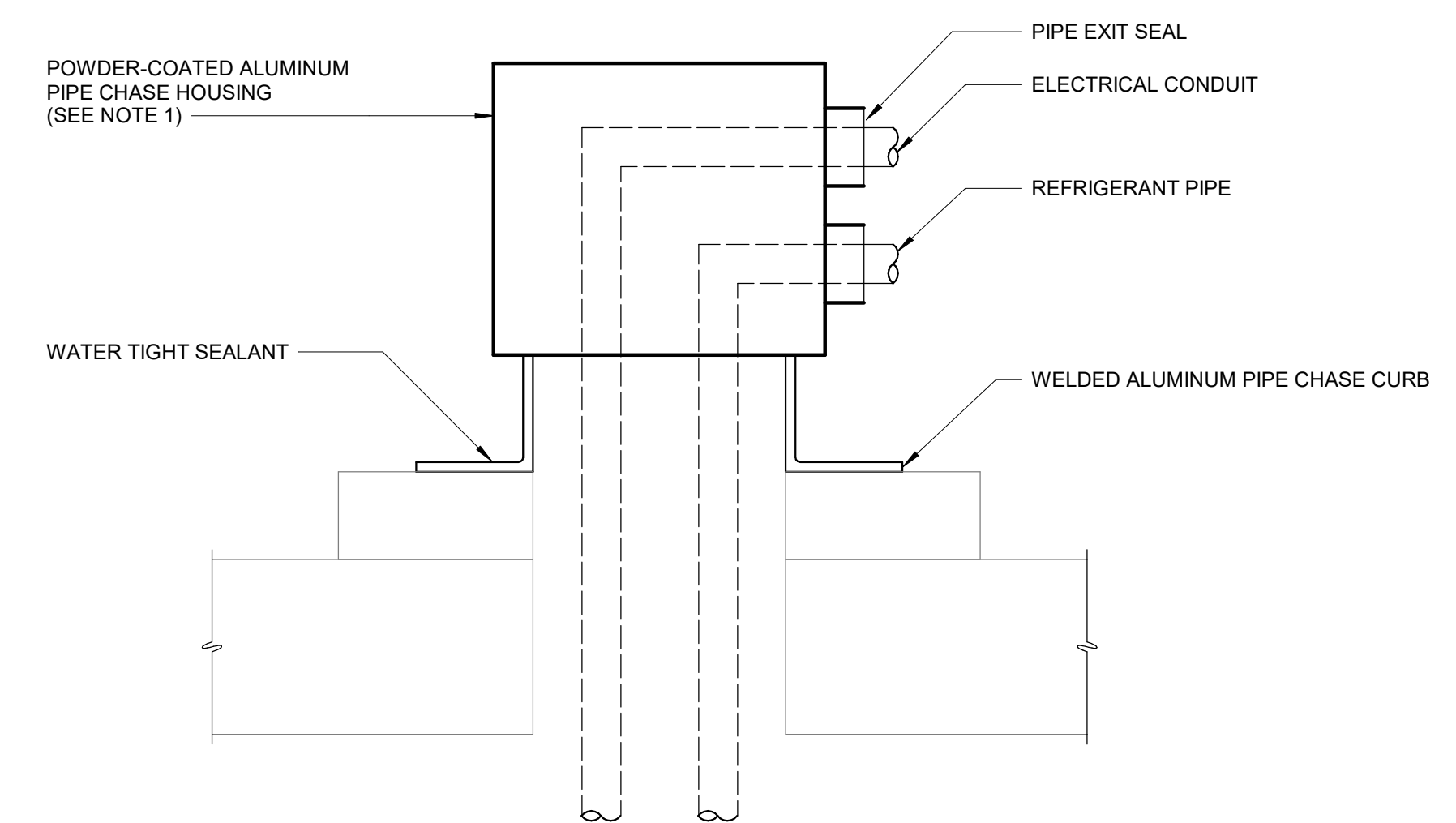
MITERED ELBOW
H-23-0109



DUCT PENETRATION ROOF
H-23-0203



DUCT PENETRATION WALL
H-23-0204

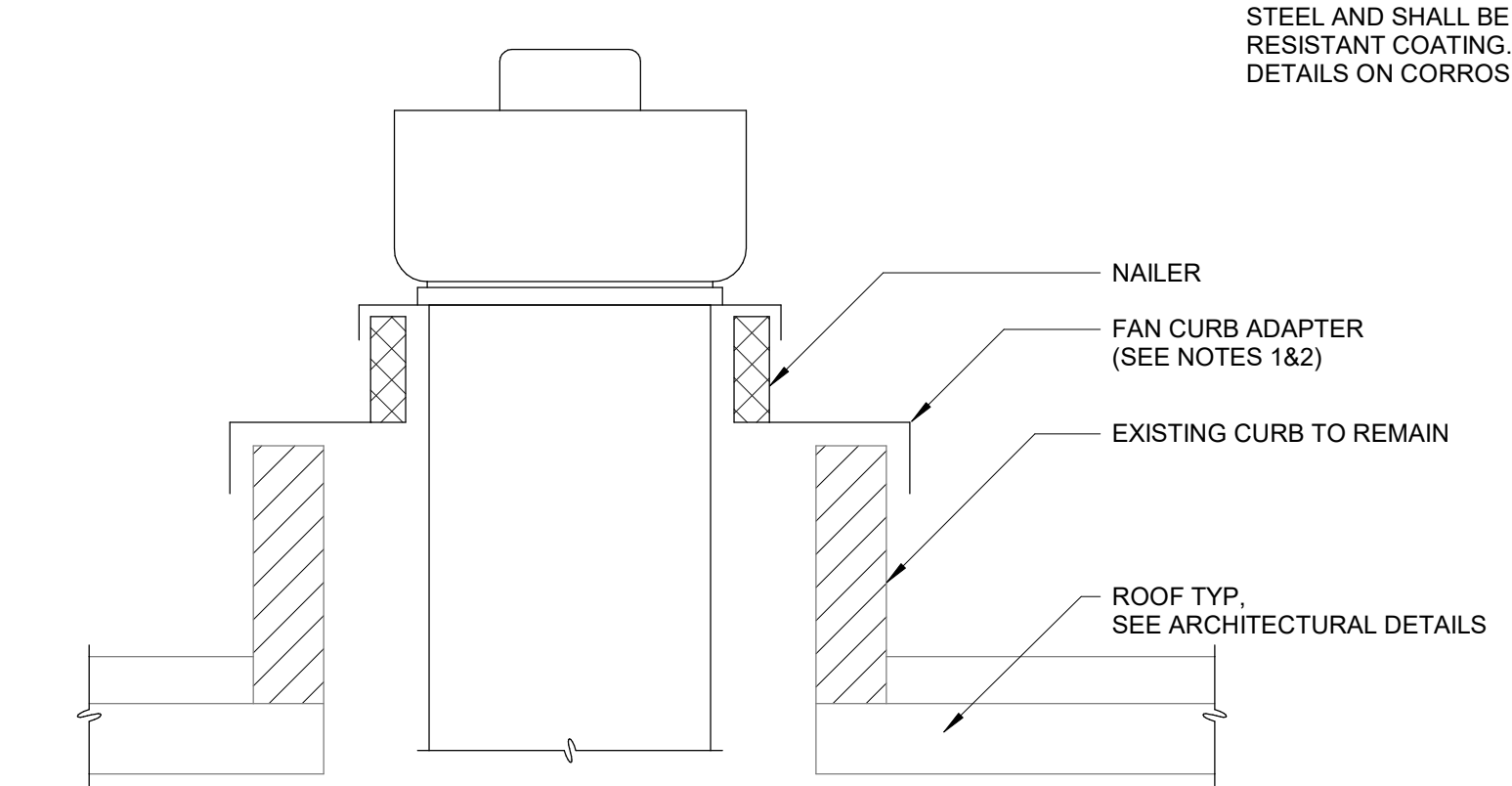


REFRIGERANT PIPE PENETRATION
H-23-0205

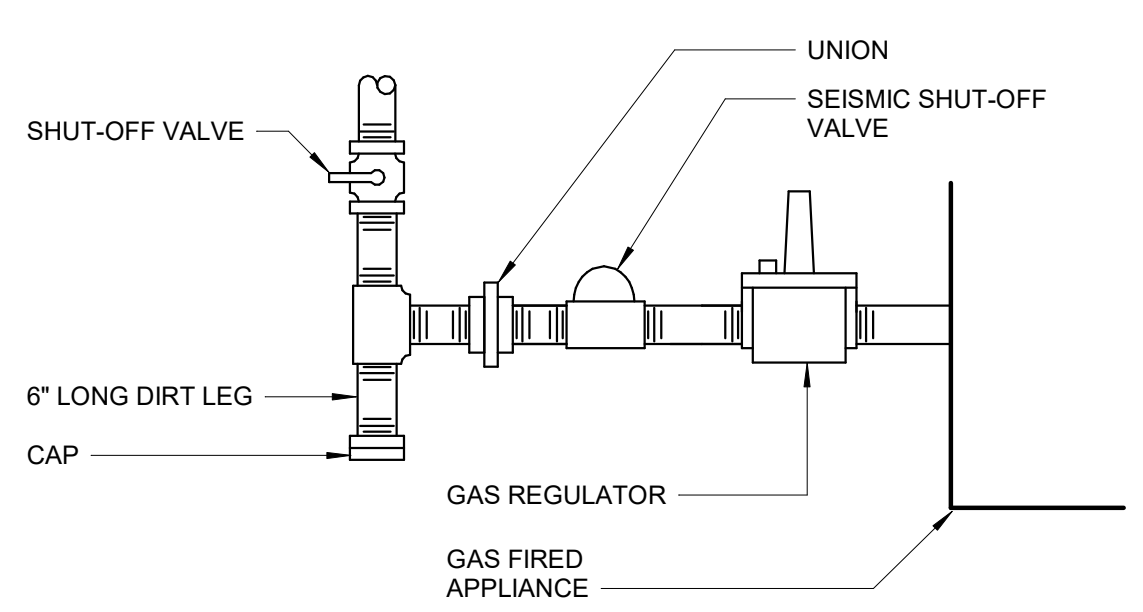
- NOTES:
- CONTRACTOR TO COORDINATE EXISTING CURB MEASUREMENTS IN FIELD WITH CURB DIMENSIONS REQUIRED FOR EXHAUST FAN INSTALLATION.
 - FAN CURB ADAPTER TO BE MADE OF GALVANIZED STEEL AND SHALL BE COATED IN A CORROSION RESISTANT COATING. SEE SPECIFICATION 15590 FOR DETAILS ON CORROSION RESISTANT COATING.

- NOTES:
- SEAL OPENING MOISTURE AND AIRTIGHT WHERE DUCT PENETRATES WALLS. PROVIDE 16 GAUGE SLEEVE AROUND ENTIRE OPENING.

- NOTES:
- CONTRACTOR SHALL PROVIDE THE PIPE CASE HOUSING OR SIMILAR CASING FOR REFRIGERANT PIPING AND ELECTRICAL CONDUITS AT ROOF PENETRATION.

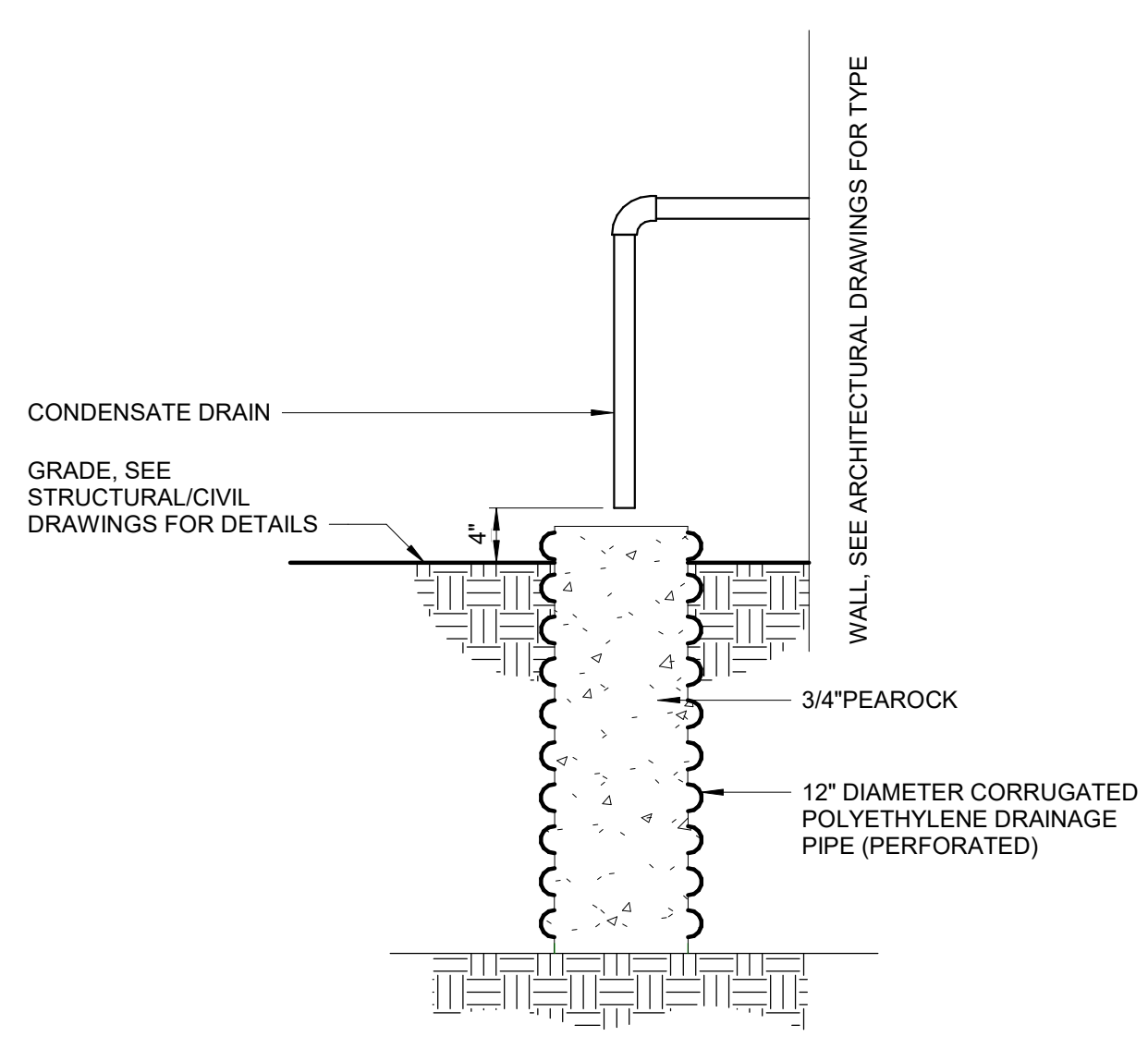


FAN CURB ADAPTER
H-23-0206



- NOTES:
- SEISMIC SHUT-OFF VALVES ARE OPTIONAL AND ARE NOT REQUIRED FOR NONESSENTIAL FACILITIES LOCATED WITHIN SEISMIC ZONES 1 OR 2.

GAS FIRED APPLIANCE CONNECTION
P-22-0107



CONDENSATE DRYWELL
P-22-0221

GMP SUBMITTAL. DO NOT USE FOR CONSTRUCTION.

Autodesk_Docs/60711-001_Wilson_WTP_Rehab_Files_Baer/60711-003-8000-AB-HVAC.rvt 11/18/2024 4:32:23 PM

REV	ISSUED FOR	DATE	BY

PROJECT MANAGER:	T. HUDSON
DESIGNED BY:	T. MONAHAN
DRAWN BY:	P. GREER
PROJECT ENGINEER:	T. MONAHAN
IF THIS BAR DOES NOT MEASURE 1" THEN DRAWING IS NOT TO FULL SCALE	0 1/2" 1"



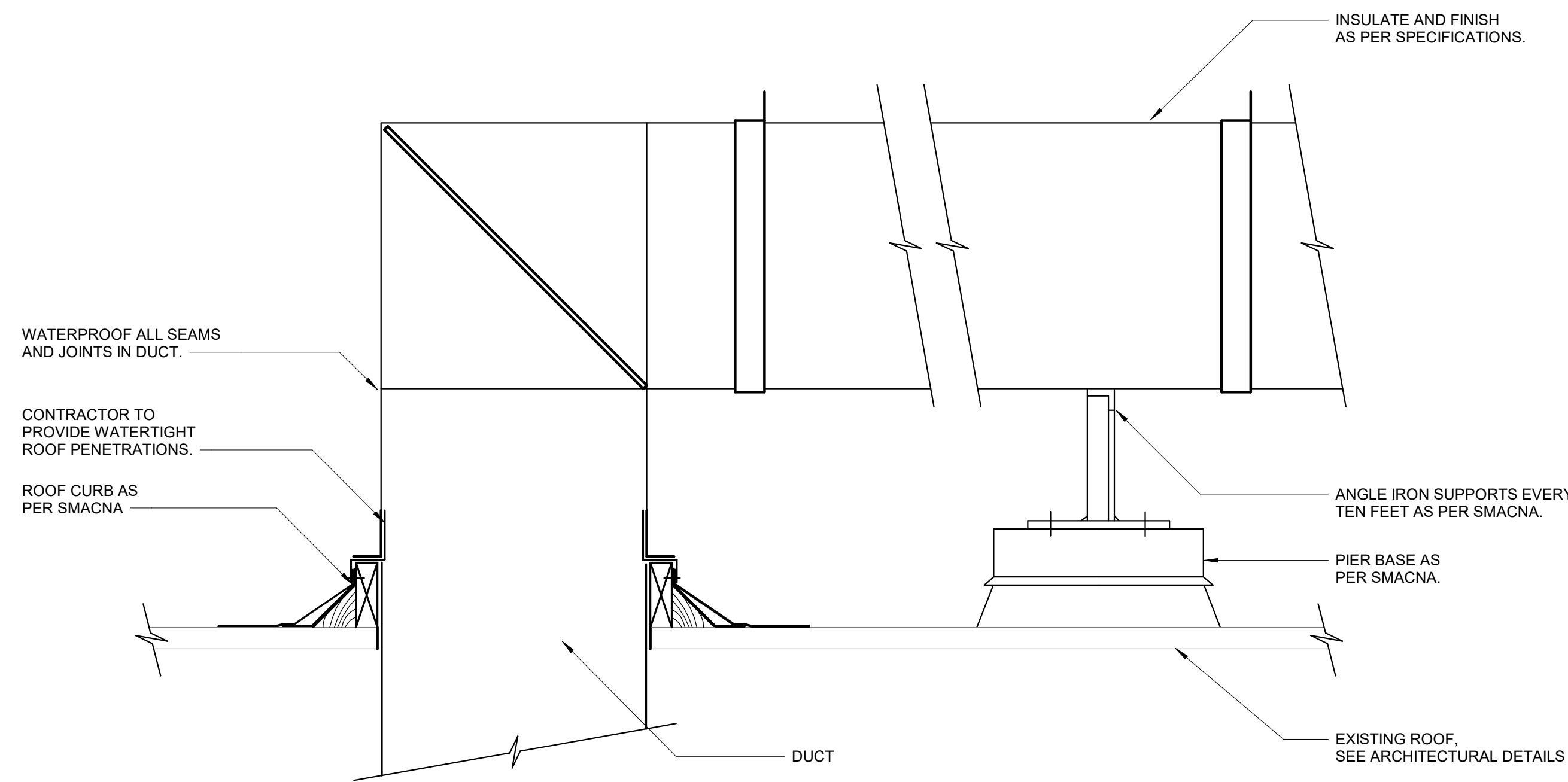
Hazen
HAZEN AND SAWYER
8150 N. CENTRAL EXPRESSWAY
TOWER II - SUITE 700
DALLAS, TEXAS 75206

CENTRAL ARKANSAS WATER
LITTLE ROCK, ARKANSAS

JACK H. WILSON WTP RENEWAL
AND RESILIENCY PROJECT

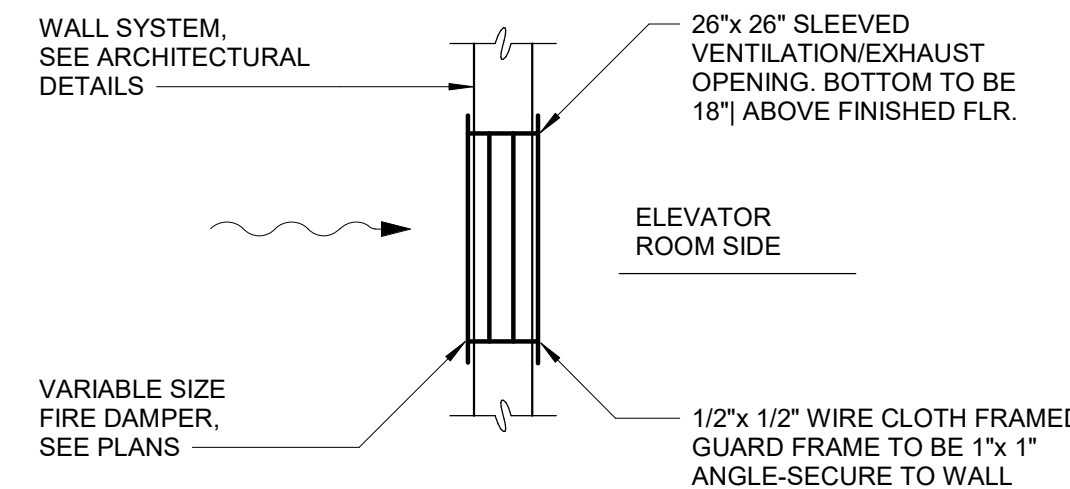
ADMIN BUILDING
HVAC
HVAC DETAILS

DATE:	NOVEMBER 2024
HAZEN NO.:	60711-003
CONTRACT NO.:	1
DRAWING NUMBER:	HD1

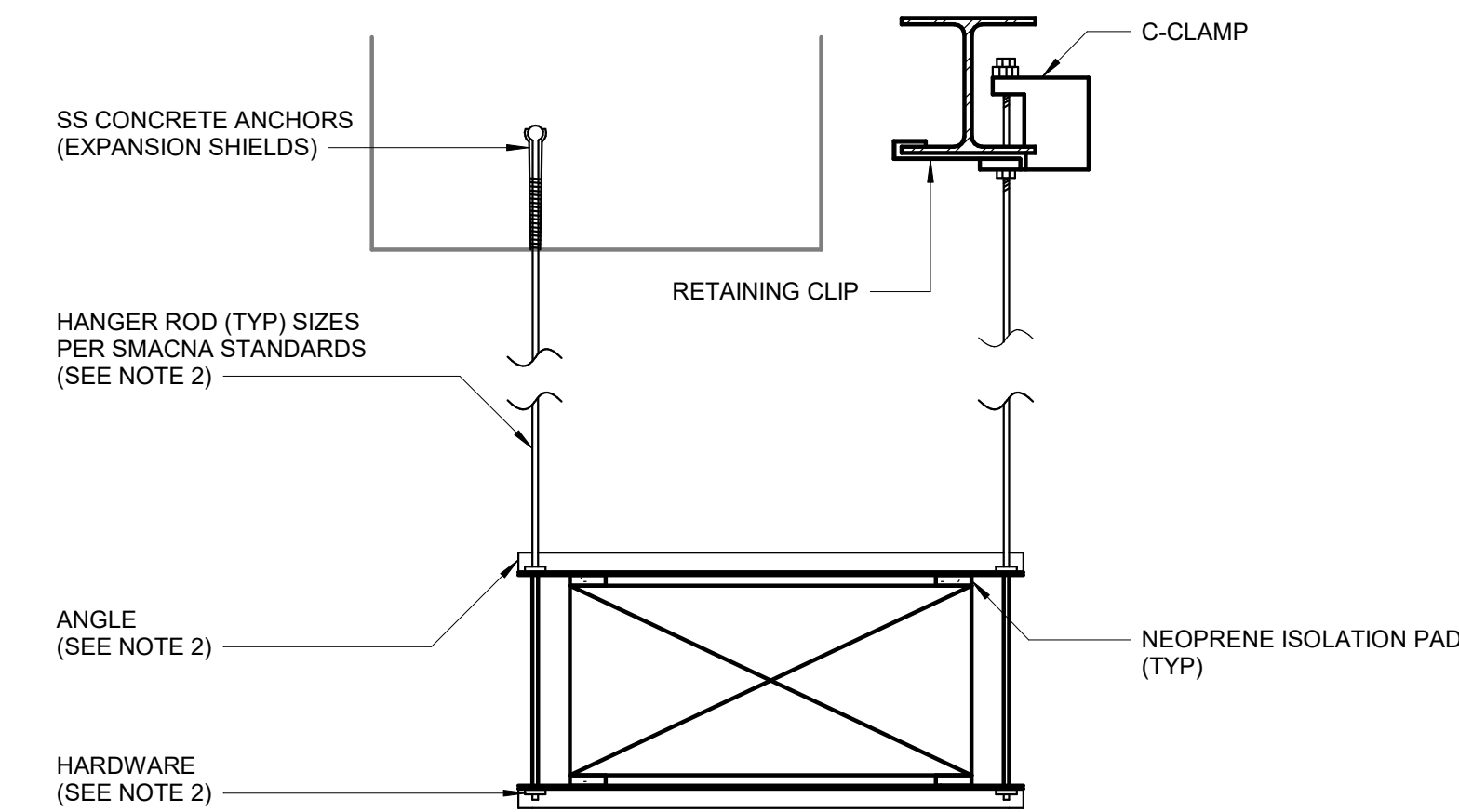


DOUBLE ROOF PENETRATION & SUPPORT
H-23-0212

NOTE: PENETRATIONS THROUGH SKYLIGHTS SHALL BE MADE WATERPROOF. SEAL OPEN AREAS OF SKYLIGHT WITH SHEETMETAL AND PROVIDE SHEETMETAL CANT ANGLED TO DRAIN WATER AWAY FROM DUCT PENETRATION AND ONTO ROOF. ALL PENETRATIONS SHALL BE MADE IN ACCORDANCE WITH SMACNA MANUAL OR AS APPROVED BY THE CONTRACTING OFFICER.

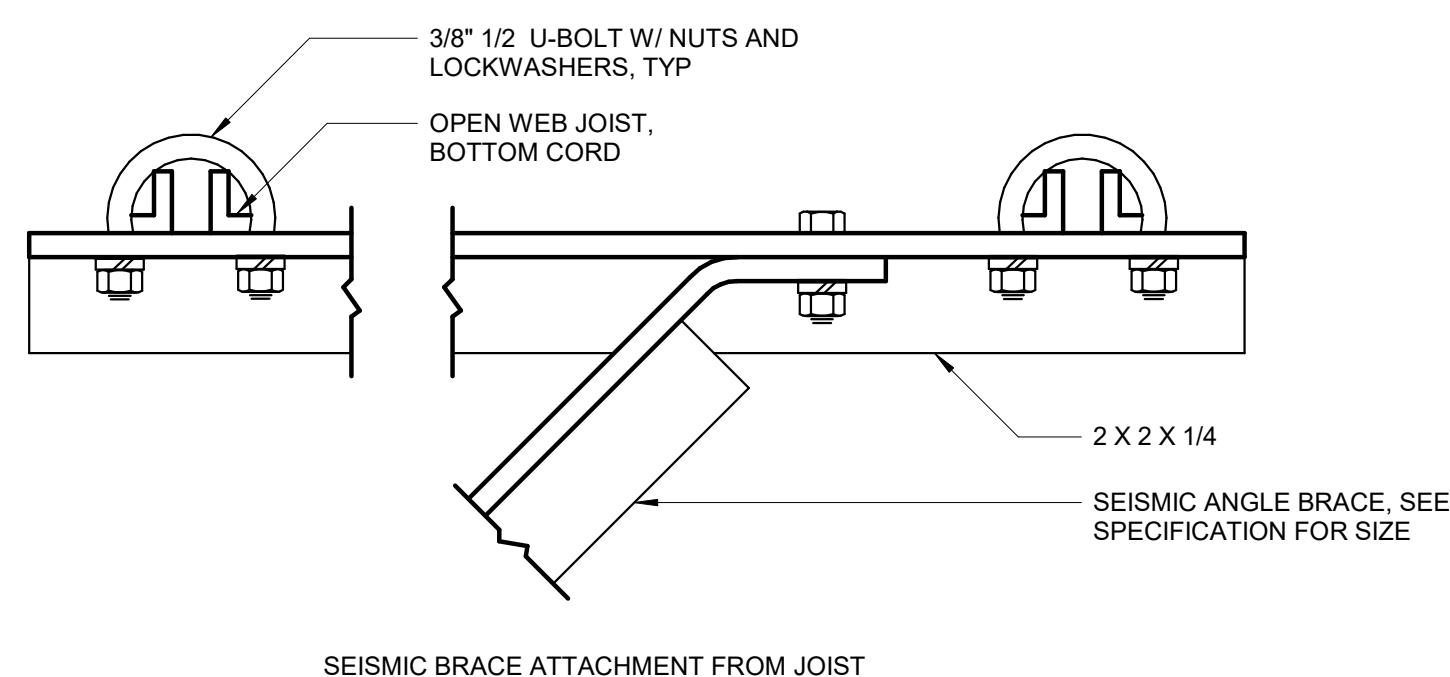


TRANSFER OPENING
H-23-0213

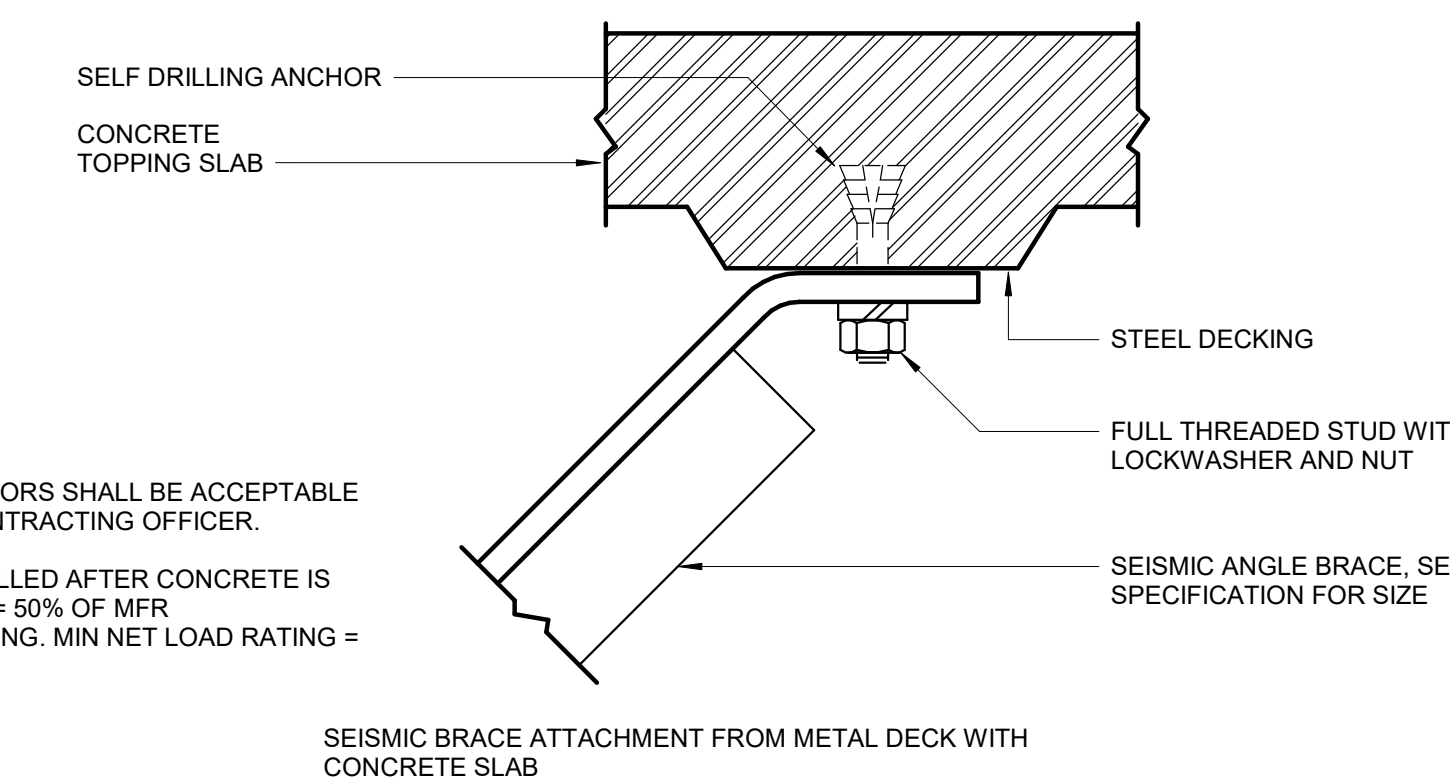


DUCT HANGING
H-23-0301

NOTES:
1. SEAL OPENING MOISTURE AND AIRTIGHT WHERE DUCT PENETRATES WALLS. PROVIDE 16 GAUGE SLEEVE AROUND ENTIRE OPENING.
2. SUPPORT MATERIALS SHALL MATCH DUCT MATERIALS.

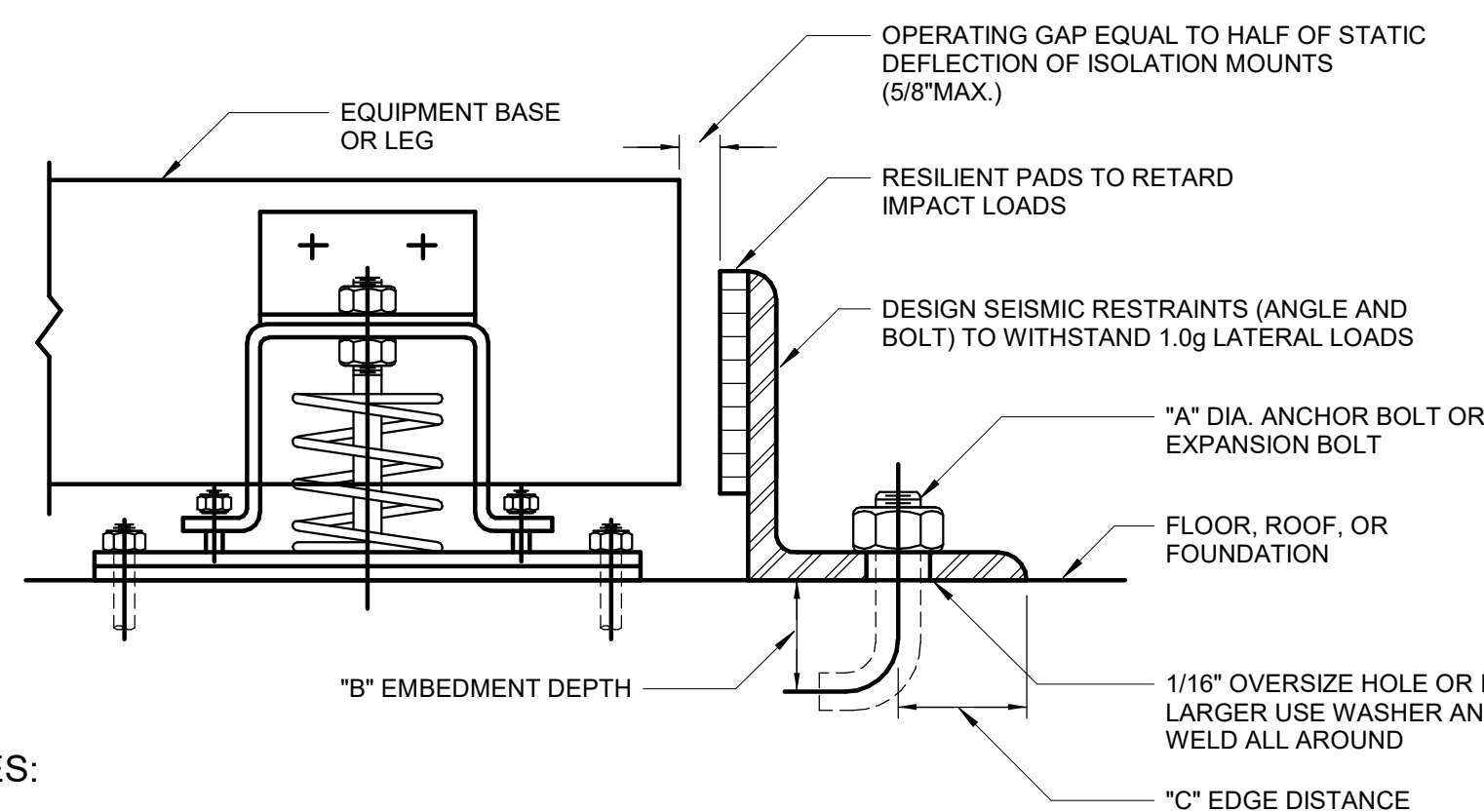


SEISMIC BRACE ATTACHMENT FROM JOIST



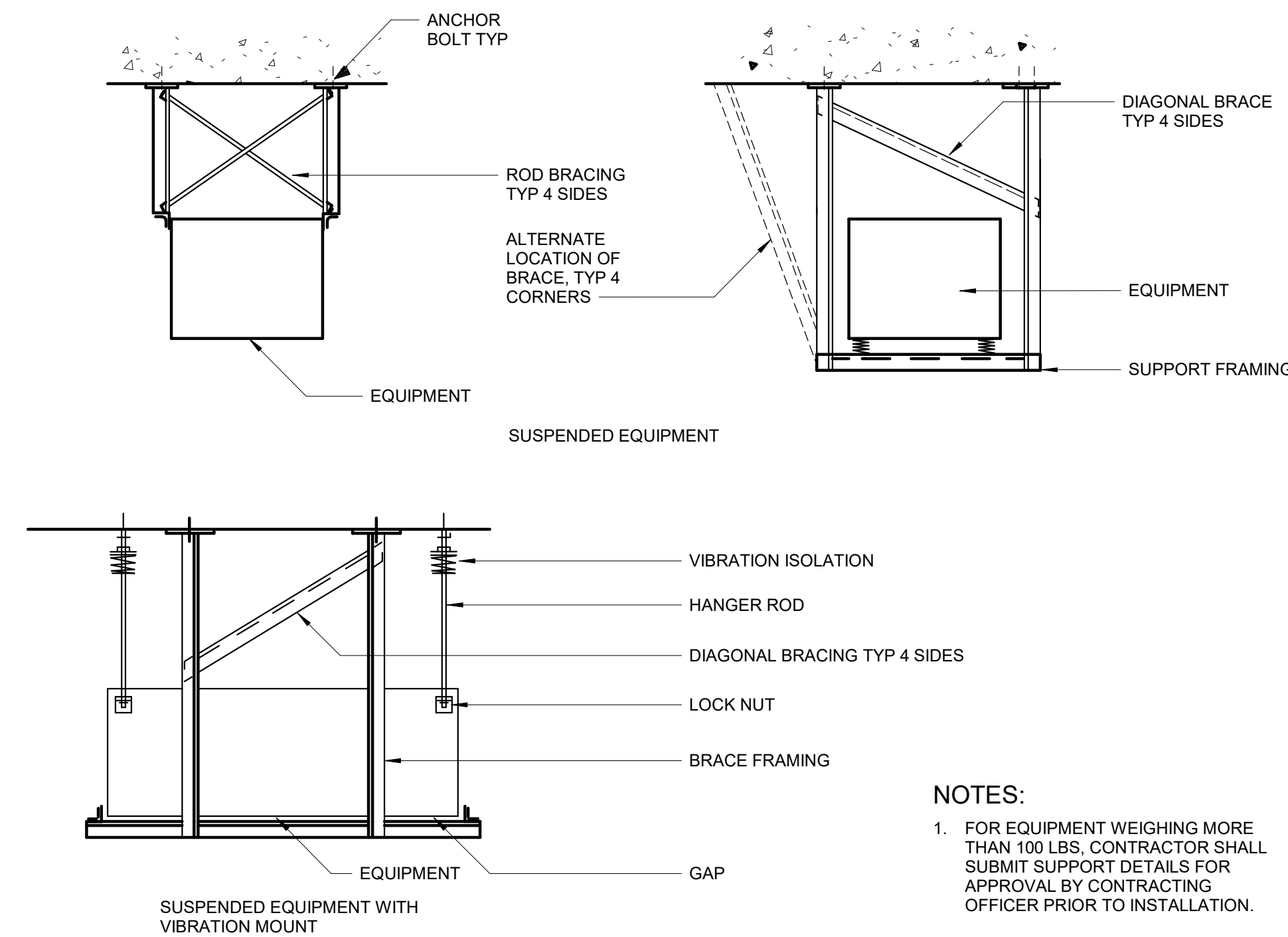
SEISMIC ANGLE BRACING
H-23-0504

NOTES:
1. CAST IN PLACE ANCHORS SHALL BE ACCEPTABLE IF APPROVED BY CONTRACTING OFFICER.
2. ANCHOR BOLT INSTALLED AFTER CONCRETE IS POURED. MAX LOAD = 50% OF MFR RECOMMENDED RATING. MIN NET LOAD RATING = 125 LBS EACH.



LATERAL SEISMIC RESTRAINT
H-23-0505

NOTES:
1. INSTALL LATERAL SEISMIC RESTRAINTS ON ALL FOUR CORNERS OF THE EQUIPMENT BASE.
2. ISOLATION MOUNTS SHALL BE DESIGNED TO WITHSTAND 1.0g LOADS IN THE VERTICAL DIRECTION ONLY.



TYPICAL SEISMIC RESTRAINT AND SUPPORTS FOR EQUIPMENT
H-23-0506

NOTES:
1. FOR EQUIPMENT WEIGHING MORE THAN 100 LBS, CONTRACTOR SHALL SUBMIT SUPPORT DETAILS FOR APPROVAL BY CONTRACTING OFFICER PRIOR TO INSTALLATION.

GMP SUBMITTAL. DO NOT USE FOR CONSTRUCTION.

Autodesk_Docs/60711-001_Wilson_WTP_Rehab_Plan_Basem60711-000-8000-AB-HVAC.rvt 11/20/2024 4:29:23 PM

REV	ISSUED FOR	DATE	BY

PROJECT MANAGER:	T. HUDSON
DESIGNED BY:	T. MONAHAN
DRAWN BY:	P. GREER
PROJECT ENGINEER:	T. MONAHAN
IF THIS BAR DOES NOT MEASURE 1" THEN DRAWING IS NOT TO FULL SCALE	0 1/2" 1"

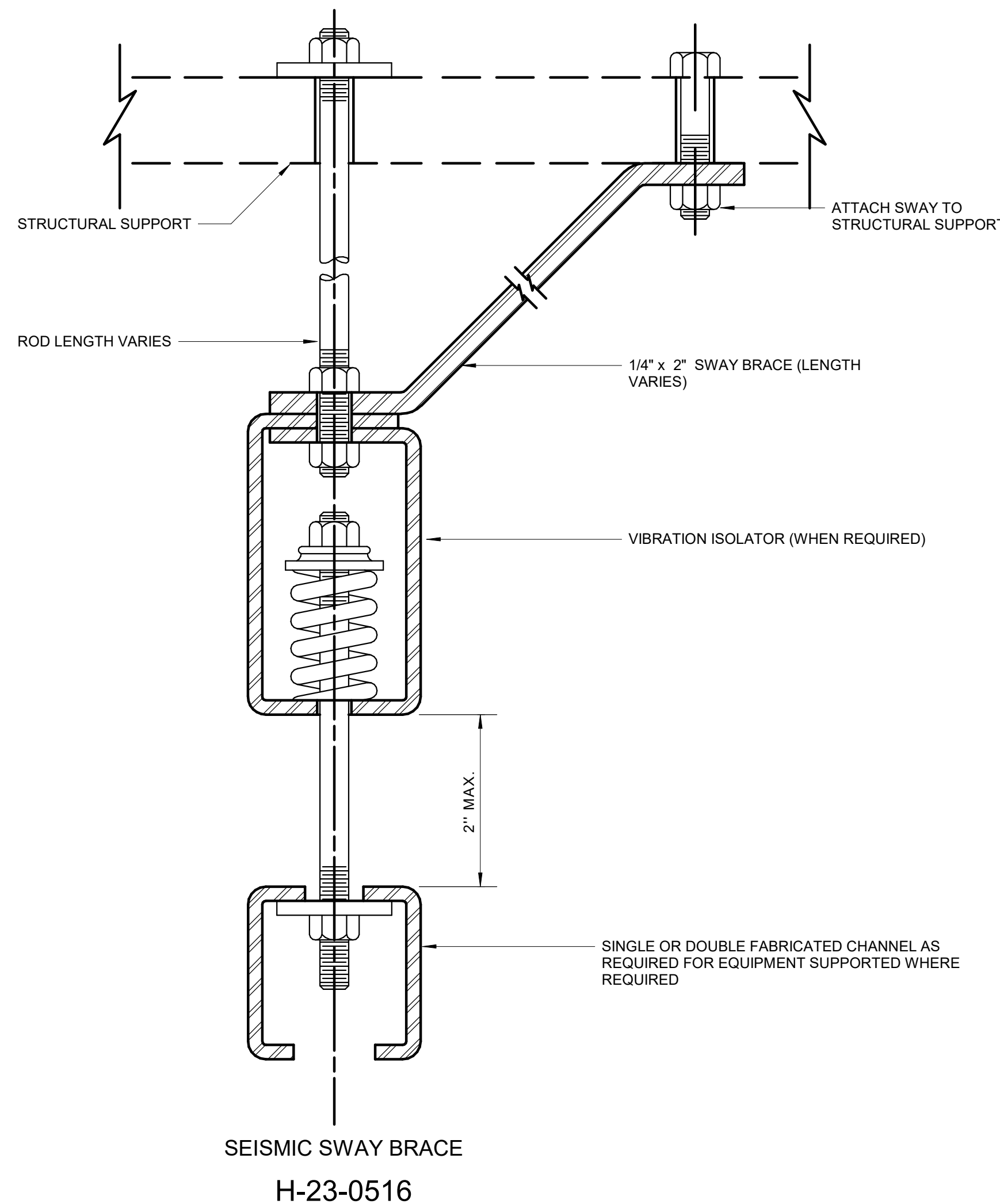


Hazen
HAZEN AND SAWYER
8150 N. CENTRAL EXPRESSWAY
TOWER II - SUITE 700
DALLAS, TEXAS 75206

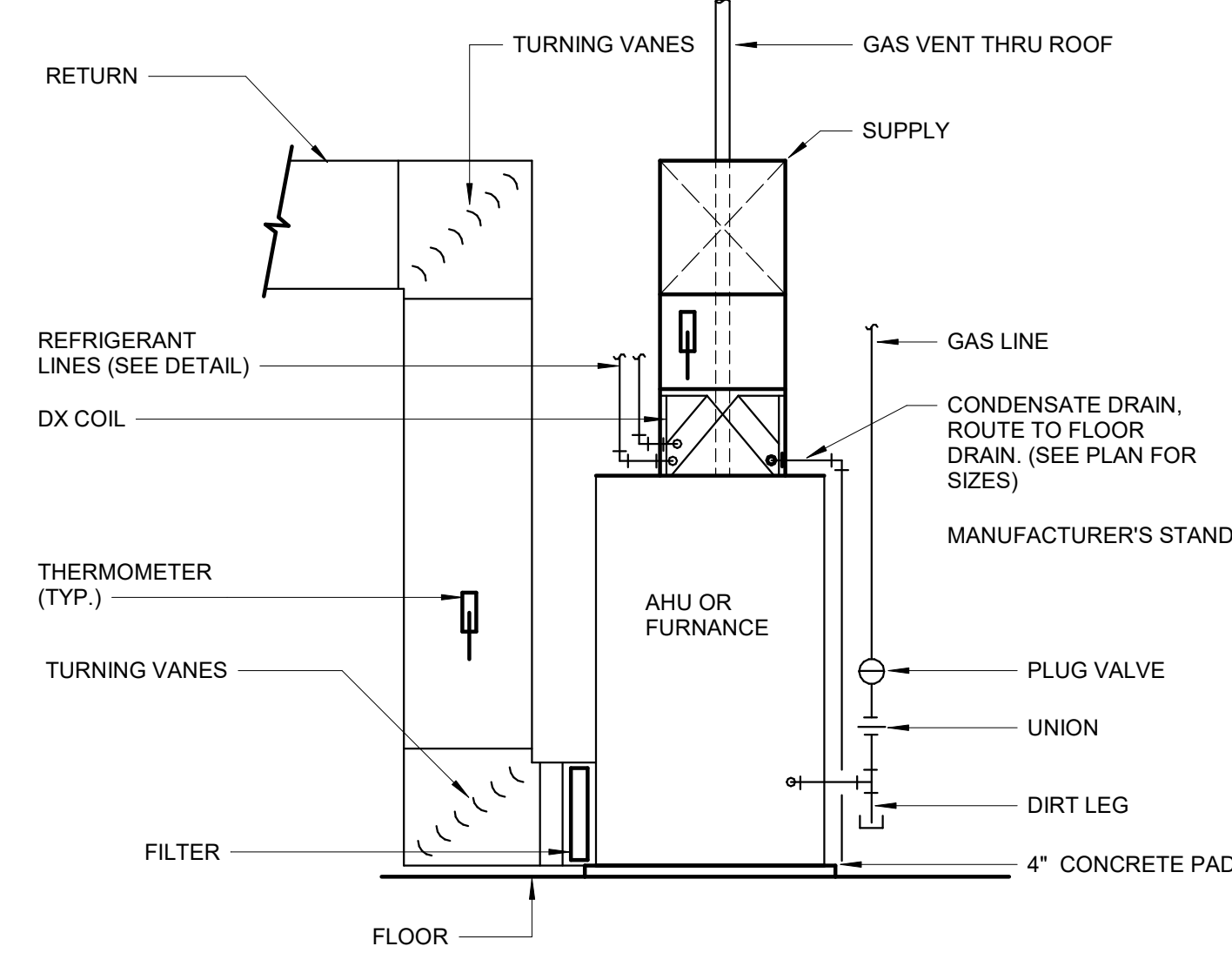
CENTRAL ARKANSAS WATER
LITTLE ROCK, ARKANSAS
JACK H. WILSON WTP RENEWAL
AND RESILIENCY PROJECT

ADMIN BUILDING
HVAC
HVAC DETAILS

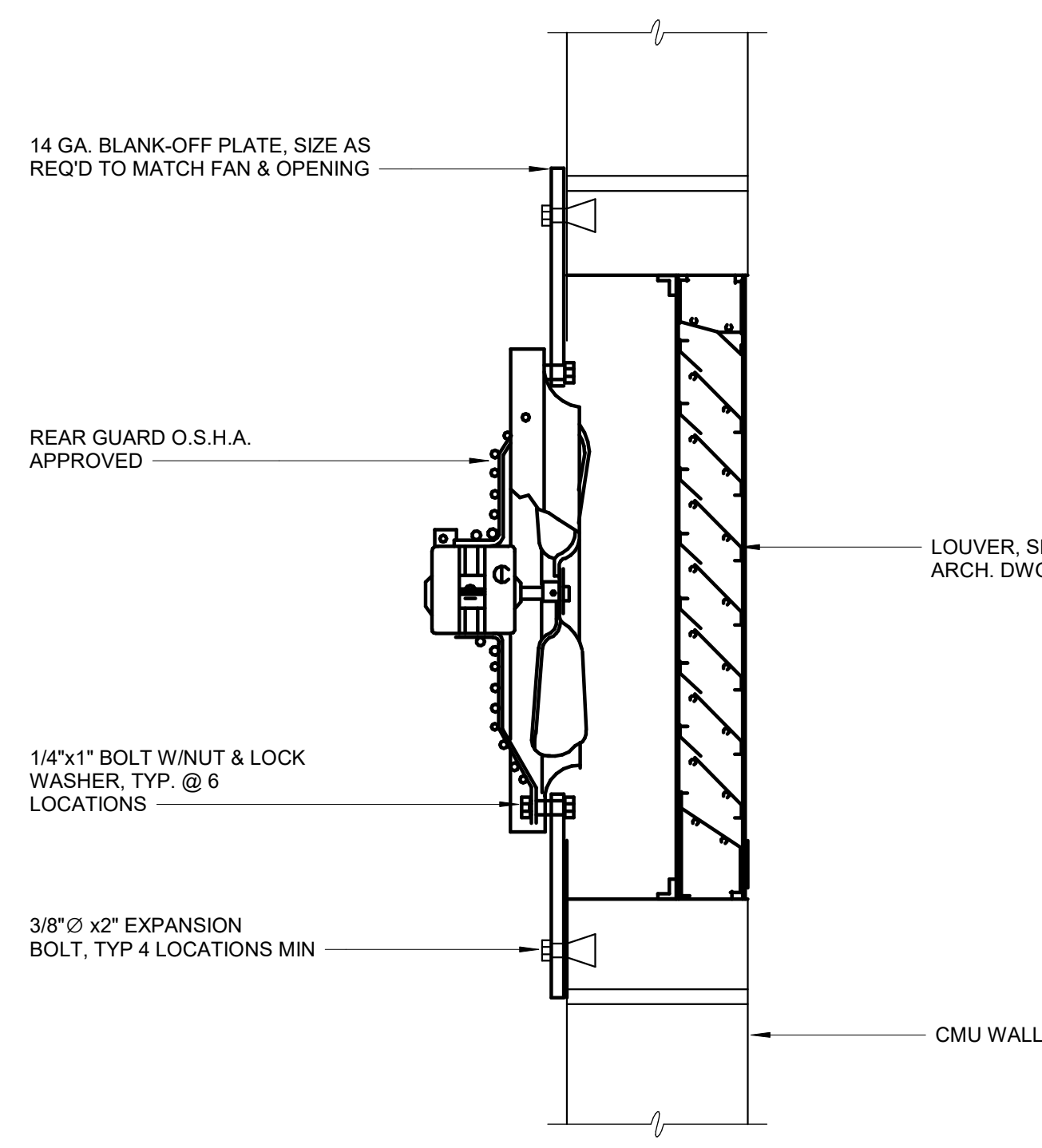
DATE:	NOVEMBER 2024
HAZEN NO.:	60711-003
CONTRACT NO.:	1
DRAWING NUMBER:	HD2



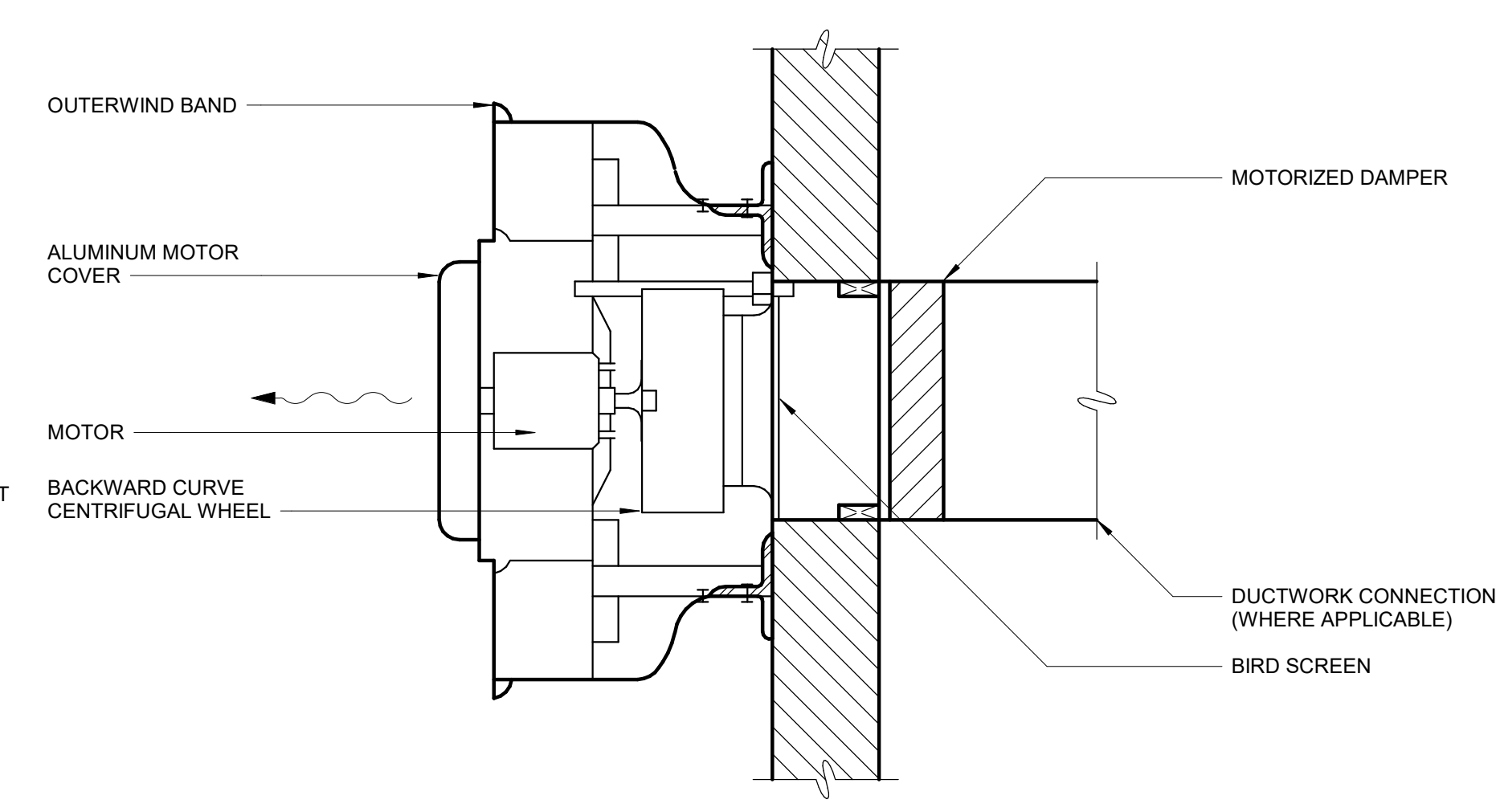
SEISMIC SWAY BRACE
H-23-0516



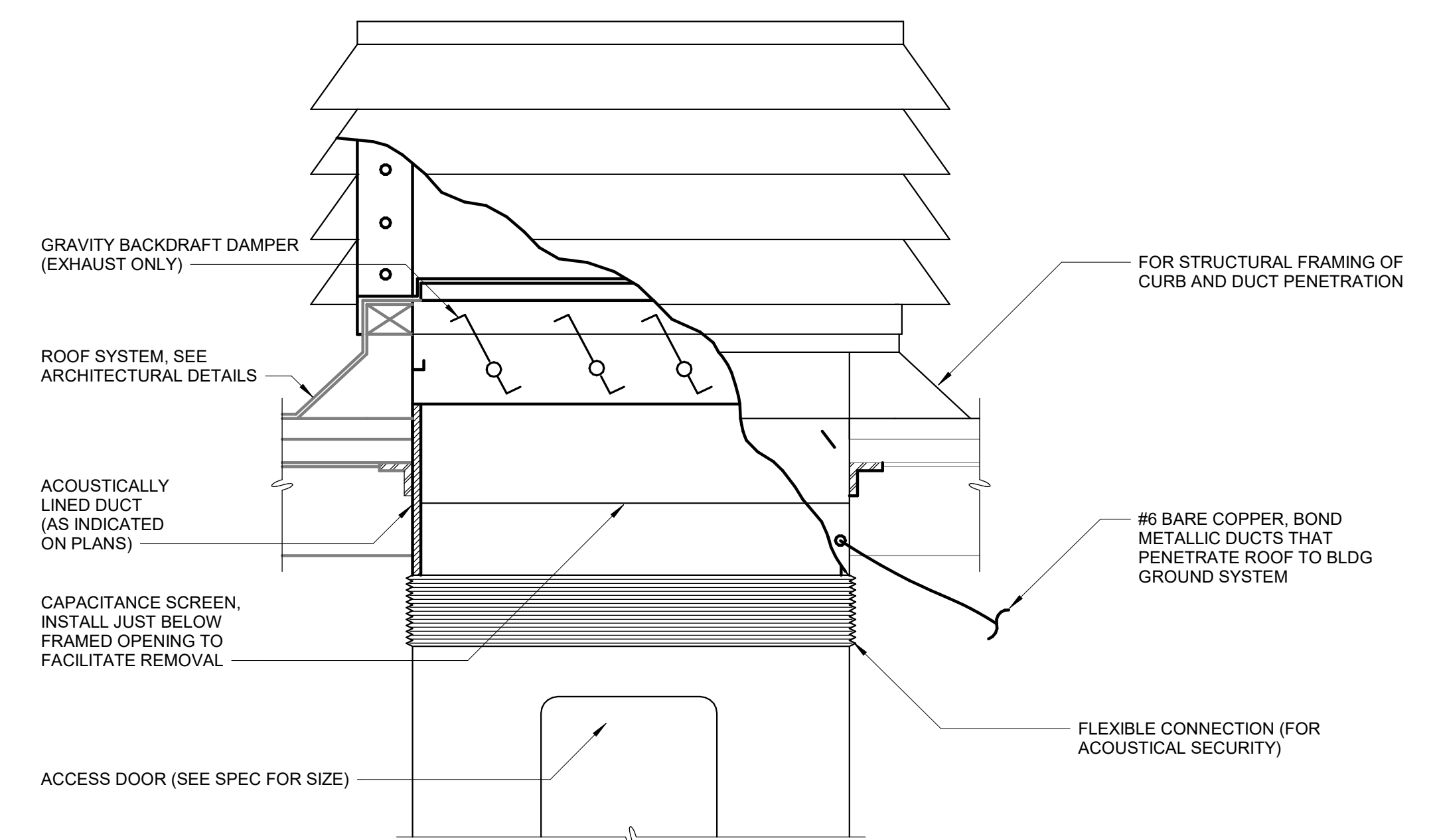
GAS FIRE AIR HANDLER
H-23-0603



PROPELLER FAN C
H-23-0617



CENTRIFUGAL WALL EXHAUST FAN
H-23-0610



INLET OR EXHAUST PENTHOUSE
H-23-0620

GMP SUBMITTAL. DO NOT USE FOR CONSTRUCTION.

Autodesk_DocSet(60711-001_Wilson_WTP_Rehab_Filter_Basins)60711-003-8000-AB-HVAC.rvt 11/18/2024 2:39:21 PM

REV	ISSUED FOR	DATE	BY

PROJECT MANAGER:	T. HUDSON
DESIGNED BY:	T. MONAHAN
DRAWN BY:	P. GREER
PROJECT ENGINEER:	T. MONAHAN
IF THIS BAR DOES NOT MEASURE 1" THEN DRAWING IS NOT TO FULL SCALE	0 1/2" 1"



Hazen
HAZEN AND SAWYER
8150 N. CENTRAL EXPRESSWAY
TOWER II - SUITE 700
DALLAS, TEXAS 75206

CENTRAL ARKANSAS WATER
LITTLE ROCK, ARKANSAS

JACK H. WILSON WTP RENEWAL
AND RESILIENCY PROJECT

ADMIN BUILDING
HVAC
HVAC DETAILS

DATE:	NOVEMBER 2024
HAZEN NO.:	60711-003
CONTRACT NO.:	1
DRAWING NUMBER:	HD3

ABBREVIATIONS

AC	ACETYLENE GAS	HR	HOSE REEL	UP	UP TO FLOOR ABOVE
AD	AREA DRAIN	HW	HOT WATER	UL	UNDERWRITERS LABORATORY
AR	ARGON GAS	HWC	HOT WATER RECIRCULATION	UR	URINAL
AFF	ABOVE FINISHED FLOOR	HWH	HOT WATER HEATER	V	VENT
AV	ACID VENT	HPWW	HIGH PRESSURE WASH WATER	VA	VALVE
AW	ACID WASTE	OY	GATE VALVE	VAC	VACUUM
BFG	BELOW FINISHED GRADE	HP	HORSEPOWER	VB	VACUUM BREAKER
BFP	BACKFLOW PREVENTER	IE	INVERT ELEVATION	VIV	VALVE IN VERTICAL
BFV	BUTTERFLY VALVE	IN	INCH	VTR	VENT THROUGH ROOF
BLDG	BUILDING	IW	INDIRECT WASTE	W	WASTE
CA	COMPRESSED AIR	IWH	INSTANT WATER HEATER	WC-1	WATER CLOSET TYPE 1
CC	CENTER TO CENTER	IRI	INDUSTRIAL RISK INSURANCE	WCO	WALL CLEAN OUT
CFM	CUBIC FEET PER MINUTE	JST	JOIST	WFD	WATER FLOW DETECTOR
CI	CAST IRON	LAV1	LAVATORY TYPE 1	WFU	WATER FIXTURE UNIT
CO	CLEAN OUT	LB	POUND	WH	WALL HYDRANT
COL	COLUMN	MAX	MAXIMUM	WHA	WATER HAMMER ARRESTER
CPLG	COUPLING	MIN	MINIMUM	WFS	WATER FLOW SWITCH
CF	CUBIC FEET	MR	MOP RECEPTOR	WT	WEIGHT
CLG	CEILING	MSB	MOP SERVICE BASIN		
CU	COPPER	NFPA	NATIONAL FIRE PROTECTION ASSOCIATION		
CV	CHECK VALVE	NG	NATURAL GAS		
CW	COLD WATER	NO	NITROUS OXIDE GAS		
DCH	DRY CREEK HEADWORKS	NPW	NON POTABLE WATER		
DFU	DRAINAGE FIXTURE UNIT	NRS	NON RISING STEM		
DI	DUCTILE IRON	NTS	NOT TO SCALE		
DIA	DIAMETER	OD	OUTSIDE DIAMETER		
DN	DOWN TO FLOOR BELOW	OI	OIL INTERSEPTOR		
DR	DRAIN	OSY	OUTSIDE SCREW AND YOKE		
DWV	DRAIN, WASTE AND VENT	PIV	POST INDICATOR VALVE		
DROP	DROP IN EXISTING STORY	PSI	POUNDS PER SQUARE INCH		
EL	ELEVATION	PSIG	POUNDS PER SQUARE INCH GAGE		
ES	EMERGENCY SHOWER	PVC	POLY VINYL CHLORIDE		
EW	EMERGENCY EYEWASH	PW	POTABLE WATER		
FAI	FRESH AIR INLET	RD1	ROOF DRAIN TYPE 1		
FD-1	FLOOR DRAIN TYPE 1	RISE	RISE IN EXISTING STORY		
FLR	FLOOR	RPM	REVOLUTIONS PER MINUTE		
FT	FEET	SAN	SANITARY		
FU	FIXTURE UNIT	SCH	SCHEDULE		
FIN	FINISHED	SD	STORM DRAIN		
FLG	FLANGE	SF	SQUARE FOOT		
FM	FACTORY MUTUAL	SPD	SUMP PUMP DISCHARGE		
FS	FLOW SWITCH	SS	SANITARY SEWER/ SERVICE SINK		
GPM	GALLONS PER MINUTE	TYP	TYPICAL		
GAL	GALLON	TW	TEMPERED WATER		
GC	GENERAL CONTRACTOR	TWS	TEMPERED WATER SUPPLY		
GCO	GRADE CLEAN OUT	TWR	TEMPERED WATER RETURN		
HB	HOSE BIBB	UON	UNLESS OTHERWISE NOTED		

GENERAL NOTES

- WORK SHALL BE EXECUTED IN FULL COMPLIANCE WITH THE APPLICABLE PROVISIONS OF ALL LAWS, BY-LAWS, STATUTES, ORDINANCES, CODES, RULES, REGULATIONS, AND LAWFUL ORDERS OF PUBLIC AUTHORITIES BEARING ON THE PERFORMANCE AND EXECUTION OF THE WORK.
- THE ENTIRE PLUMBING SYSTEM SHALL BE IN ACCORDANCE WITH THE FOLLOWING CODES:
 - 2018 ARKANSAS PLUMBING CODE WITH APPENDICES B, C, D, & F.
 - 2018 ARKANSAS FUEL GAS CODE WITH APPENDICES A, B, C, & D AND 2018 REVISIONS.
 - 2014 ARKANSAS ENERGY CODE.
 - 2021 ARKANSAS FIRE PREVENTION CODE VOL 1 & VOL 2.
- THE PIPING INDICATED ON THESE PLANS ARE DIAGRAMMATIC. ALL WORK SHALL BE COORDINATED WITH ALL OTHER TRADES PRIOR TO INSTALLATION. CONTRACTOR SHALL COORDINATE ROUTING OF ALL PIPING WITH OTHER TRADES AND SHALL PROVIDE ANY NECESSARY OFFSETS, REROUTING, TEES, ELBOWS, ETC. REQUIRED FOR A COMPLETE AND COORDINATED INSTALLATION.
- THE CONTRACTOR SHALL OBTAIN AND PAY ALL FEES RELATED TO PERMITTING, AND INSPECTIONS.
- CONTRACTOR SHALL COORDINATE ANY PLUMBING OR PIPING SYSTEM SHUT DOWN WITH THE OWNER 48 HOURS IN ADVANCE.
- ALL PLUMBING AND PIPING SYSTEMS SHALL BE SUPPORTED AS REQUIRED BY CODE REQUIREMENTS AND PER MANUFACTURERS RECOMMENDATIONS.
- ALL PLUMBING FIXTURES SHALL BE INSTALLED IN ACCORDANCE WITH THE MANUFACTURERS WRITTEN INSTRUCTIONS. CONTRACTOR SHALL MAINTAIN ON-SITE THE WRITTEN INSTRUCTIONS FOR THE INSPECTOR'S REVIEW.
- ALL PIPING PENETRATIONS THROUGH WALLS, AND FLOORS SHALL BE SEALED TO EQUAL THE RATING OF THE WALL OR FLOOR.
- THE PLUMBING SYSTEM SHALL BE TESTED AS REQUIRED BY CODE OR BY THE REQUIREMENTS OF THE LOCAL PLUMBING INSPECTOR.
- THE ENTIRE DOMESTIC WATER SYSTEM SHALL BE DISINFECTED IN ACCORDANCE WITH THE LOCAL HEALTH DEPARTMENT REQUIREMENTS AND AS SPECIFIED.
- ROUTE ALL PIPING CONCEALED ABOVE CEILINGS, WITHIN WALLS OR IN CHASES EXCEPT AS SPECIFICALLY NOTED, OR IN MECHANICAL ROOMS.
- SEE ARCHITECTURAL DRAWINGS FOR FIXTURE LOCATIONS AND MOUNTING HEIGHTS.
- CONTRACTOR SHALL PROVIDE AND INSTALL WHEN REQUIRED BY CODE AN AIR GAP SERVING INDIVIDUAL FIXTURES, DEVICES, APPLIANCES OR APPARATUS.
- SEE SANITARY WASTE AND VENT RISER SCHEMATIC DIAGRAM FOR WASTE AND VENT PIPE SIZES.
- SEE DOMESTIC WATER RISER SCHEMATIC DIAGRAM FOR DOMESTIC WATER PIPE SIZES.
- CONTRACTOR SHALL PROVIDE WATER STOPS AT EACH FIXTURE.
- SIZE AND LOCATION OF CLEANOUTS (AS WELL AS ALL PLUMBING WORK) SHALL BE IN ACCORDANCE WITH THE PLUMBING CODE.
- PATCH ALL SURFACES DISTURBED DURING THE CONSTRUCTION OF PLUMBING COMPONENTS TO MATCH ADJACENT SURFACES. WORK SHALL BE DONE ONLY BY WORKMAN SKILLED IN THE TRADE INVOLVED AND TO THE SATISFACTION OF THE OWNER'S REPRESENTATIVE.
- ALL CONCEALED VALVES, WATER HAMMER ARRESTORS, CLEANOUTS, ETC., CONCEALED IN WALLS SHALL BE PROVIDED WITH AN ACCESS PANEL SUCH AS ZURN MODEL ZN-1460 OR APPROVED EQUAL.
- ALL CONCEALED PIPING IN CHASE AREAS SHALL BE SUPPORTED WITH A PIPING SUPPORT SYSTEM SUCH AS SUMNER POSIFIX, STAKFIX AND CHANNEL OR APPROVED EQUAL.
- DO NOT ROUTE PLUMBING PIPE OVER OR IN FRONT OF ELECTRICAL PANELS, BREAKERS, ETC.
- MINIMUM SLOPE OF DRAINPIPES SHALL BE 1/4" PER FOOT FOR PIPE SIZES EQUAL TO OR LESS THAN 2-1/2" AND 1/8" PER FOOT FOR 3" AND LARGER.
- PIPE HANGERS SHALL BE EPOXY COATED OR HOT DIPPED GALVANIZED.
- ALL HOSE BIBS SHALL BE PROVIDED WITH VACUUM BREAKER BFP.
- THE SYMBOLS AND ABBREVIATIONS LIST ON THIS SHEET IS A COMPREHENSIVE STANDARD GUIDE INTENDED FOR GENERAL USE ON ALL PROJECTS. THEREFORE, NOT ALL THE SYMBOLS AND ABBREVIATIONS CONTAINED IN THIS LIST ARE NECESSARILY USED ON THIS PARTICULAR PROJECT AND SHOULD BE USED FOR CLARIFICATION ONLY.
- REFER TO PROCESS MECHANICAL GENERAL SHEETS FOR DIAGRAMMATIC VALVE SYMBOL TYPES.
- COORDINATE FIRE RATED WALLS, FLOORS AND CAPS WITH ARCHITECTURAL DRAWINGS.

SYMBOLS

LINETYPES

	BALL VALVE		GATE VALVE		CLEANOUT
	BALL CHECK VALVE		GLOBE VALVE		FLOOR DRAIN
	BUTTERFLY VALVE		MOTOR OPERATED VALVE		QUANTITY DESIGNATION
	CHECK VALVE		NEEDLE VALVE		BUILDING NUMBER (IF MULTIPLE)
	SWING CHECK VALVE		PINCH VALVE		EQUIPMENT DESIGNATION
	CONTROL VALVE		PLUG VALVE		PIPE SIZE
	DIAPHRAGM VALVE		PRESSURE REDUCING VALVE		PIPE SIZE
	ES/EEW		PRESSURE RELIEF VALVE		CENTER LINE (CL) / INVERT (INV) FROM SEA LEVEL

	PROPOSED ITEMS
	EXISTING ITEMS
	HIDDEN ITEMS
	DEMOLITION ITEMS
	CENTER LINE
	MATCH LINE
	1-HR FIRE RATED WALL

GMP SUBMITTAL. DO NOT USE FOR CONSTRUCTION.

Autodesk_Docs\60711-001_Wilson_WTP_Rehab_Files_Baas\60711-003-3000-FB-3100-FWC-PLUM.rvt 11/19/2024 1:59:55 PM

PROJECT MANAGER:	T. HUDSON		
DESIGNED BY:	J. JOHNSON		
DRAWN BY:	J. JOHNSON		
PROJECT ENGINEER:	T. MONAHAN		
IF THIS BAR DOES NOT MEASURE 1" THEN DRAWING IS NOT TO FULL SCALE	0 1/2" 1"		
REV	ISSUED FOR	DATE	BY



Hazen
 HAZEN AND SAWYER
 8150 N. CENTRAL EXPRESSWAY
 TOWER II - SUITE 700
 DALLAS, TEXAS 75206

CENTRAL ARKANSAS WATER
 LITTLE ROCK, ARKANSAS

JACK H. WILSON WTP RENEWAL
 AND RESILIENCY PROJECT

GENERAL
 PLUMBING
 GENERAL NOTES, SYMBOLS & ABBREVIATIONS

DATE:	NOVEMBER 2024
HAZEN NO.:	60711-003
CONTRACT NO.:	1
DRAWING NUMBER:	P0001

PLUMBING BACKFLOW PREVENTER ASSEMBLY SCHEDULE

TAG	ASSEMBLY TYPE	HOT BOX MODEL	SYSTEM SERVED	MAKE	MODEL	NOMINAL SIZE (IN)	ACCESSORIES	DRAINAGE POSITION	DESIGN FLOW (GPM)	DESIGN PRESSURE LOSS (PSI)	INLET JOINT	OUTLET JOINT	VALVE TYPE	NOTES
BFP-3001	REDUCED PRESSURE ZONE	N/A	FILTER BUILDING - SECOND FLOOR POTABLE WATER	WATTS	LF009QT	2	AIR GAP FITTING	DRAIN TO FD-1	54	13	NPT	NPT	BALL	1, 2
BFP-6101	REDUCED PRESSURE ZONE	WB-2	BULK CHEMICAL BUILDING - POTABLE SERVICE	WATTS	LF009QTS	2	STRAINER	DRAIN TO EXTERIOR	23	13	NPT	NPT	BALL	1, 2
BFP-6102	REDUCED PRESSURE ZONE	WB-N3	BULK CHEMICAL BUILDING - NONPOTABLE SERVICE	WATTS	LF009OSY	2-1/2	STRAINER	DRAIN TO EXTERIOR	75	13	FLANGE	FLANGE	OS & Y	1, 2
BFP-6201	REDUCED PRESSURE ZONE	WB-1.5	FLUORIDE TANKS - EMERGENCY SHOWER SYSTEM	WATTS	LF009QT	1-1/2	STRAINER	DRAIN TO EXTERIOR	23	13	NPT	NPT	BALL	1, 2

NOTES:
 1. SEE SPECIFICATION 22 11 19 FOR INSTALLATION AND ACCESSORY REQUIREMENTS.
 2. ASSEMBLY SHALL CONFORM TO NSF 61 AND 372 REQUIREMENTS (LEAD FREE).

ELECTRIC WATER HEATER SCHEDULE

TAG	MANUFACTURER		SYSTEM SERVED	LOCATION	TYPE	INLET (IN)	OUTLET (IN)	ELEMENT (QTY)	ELEMENT (KW)	STORAGE TEMPERATURE (°F)	RECOVERY RATE (GPH) AT 80°F RISE	INLET TEMPERATURE (°F)	STORAGE CAPACITY (GALLONS)	TEMPERATURE RISE (°F)	POWER			NOTES
	MAKE	MODEL													VOLTAGE	PHASE	FREQUENCY	
WH-3001	A.O. SMITH	DEN-52	ADMINISTRATIVE	FILTER BUILDING - UTILITY/JANITOR	ELECTRIC STORAGE	1	1	2	6	140	30.7	60	55	80	460	3	60	1-7
WH-3002	HAWS CO	MODEL 8780	EMERGENCY SHOWERS	FILTER BUILDING - FINISHED WATER CHEMICALS FEED ROOM	ELECTRIC STORAGE	1-1/2	1-1/2	1	10	165	39.0	60	119	105	460	3	60	1-6
WH-6101	HAWS CO	MODEL 8780	EMERGENCY SHOWERS	BULK CHEMICAL BUILDING	ELECTRIC STORAGE	1-1/2	1-1/2	1	10	165	39.0	60	119	105	460	3	60	1-6
WH-6201	HAWS CO	MODEL 8785	EMERGENCY SHOWERS	FLUORIDE TANKS	ELECTRIC STORAGE	1-1/2	1-1/2	1	10	165	39.0	60	119	105	460	3	60	1-6
WH-8001	A.O. SMITH	DEN-52	ADMINISTRATIVE	ADMIN BUILDING - CLOSET	ELECTRIC STORAGE	1	1	2	6	140	30.7	60	55	50	460	3	60	1-7

NOTES:
 1. REFER TO SPECIFICATION 22 33 00 FOR CONSTRUCTION AND ACCESSORY DETAILS.
 2. ALL WATER HEATERS SHALL MEET OR EXCEED STANDBY LOSS REQUIREMENTS PER US DEPT OF ENERGY OR ASHRAE 90.1-2016.
 3. RATED FOR 150 PSIG WORKING PRESSURE.
 4. PROVIDE DIELECTRIC UNIONS AND SHUT OFF ISOLATION VALVES AT EACH CONNECTION.
 5. PROVIDE TEMPERATURE AND PRESSURE GAUGES.
 6. ROUTE TEMPERATURE AND PRESSURE RELIEF TO DRAIN.
 7. NON-SIMULTANEOUS OPERATION.

ELECTRIC TANKLESS WATER HEATER SCHEDULE

TAG	MANUFACTURER		SYSTEM SERVED	LOCATION	TYPE	INLET (IN)	OUTLET (IN)	ELEMENT (QTY)	ELEMENT (KW)	TEMPERATURE RISE AT FLOW (°F/GPM)	TURN ON FLOW (GPM)	INLET TEMPERATURE (°F)	POWER			NOTES
	MAKE	MODEL											VOLTAGE	PHASE	FREQUENCY	
WH-6102	EEMAX	PROSERIES XTP02480	HOT ALUM FLUSH	BULK CHEMICAL BUILDING	ELECTRIC TANKLESS	3/4	3/4	1	20	27°F / 5 GPM	0.5	60	480	3	60	1-5

NOTES:
 1. REFER TO SPECIFICATION 22 33 00 FOR CONSTRUCTION AND ACCESSORY DETAILS.
 2. PROVIDE MANUFACTURER SUPPLIED 24" STANDING LEGS.
 3. RATED FOR 150 PSIG WORKING PRESSURE.
 4. PROVIDE DIELECTRIC UNIONS AND SHUT OFF ISOLATION VALVES AT EACH CONNECTION.
 5. FIELD SET OUTLET TEMPERATURE TO 85°F.

PUMP SCHEDULE

TAG	MANUFACTURER		LOCATION	CONTROLS	CAPACITY (GPM)	HEAD (FT)	SHUTOFF HEAD (FT)	SIZE		MOTOR		VOLT	PHASE	HZ	NOTES
	MAKE	MODEL						SUCT.	DISCHARGE	HP	TYPE				
RCP-3001	BELL & GOSSETT	ECOCIRC+ 20-18	FILTER BUILDING - JANITOR	INTEGRAL AQUASTAT	3	8	10	3/4	3/4	FRACTIONAL	ECM	115	1	60	1, 2
RCP-8001	BELL & GOSSETT	ECOCIRC+ 20-18	ADMIN BUILDING - CLOSET	INTEGRAL AQUASTAT	3	8	10	3/4	3/4	FRACTIONAL	ECM	115	1	60	1, 2
DP-3001	LIBERTY PUMPS	MODEL 404	ADMIN BUILDING - BREAK ROOM	FLOAT SWITCH	5	20	21	1-1/2	1-1/2	FRACTIONAL	ECM	115	1	60	-

NOTES:
 1. SEE SPECIFICATION 22 11 23 FOR CONSTRUCTION AND ACCESSORY DETAILS.
 2. PROVIDE INTEGRAL AQUASTAT.

EMERGENCY SHOWERS

TAG	FIXTURE	MANUFACTURER		TW (IN)	EMERGENCY ALARM POWER (V)	HEAT TRACE POWER (V)	ACCESSORIES
		MAKE	MODEL				
ESEW-3001	EMERGENCY EYEWASH & SHOWER	HAWS CO	8300	1-1/4	120	--	HAWS CO MODEL 9001 EMERGENCY ALARM SYSTEM
ESEW-3002	EMERGENCY EYEWASH & SHOWER	HAWS CO	8300	1-1/4	120	--	HAWS CO MODEL 9001 EMERGENCY ALARM SYSTEM
ESEW-6101	EMERGENCY EYEWASH & SHOWER	HAWS CO	8317CTFP	1-1/4	120	120	HAWS CO MODEL 9001 EMERGENCY ALARM SYSTEM, 5 FT HEAT TRACE CABLE, RECIRCULATION OPTION.
ESEW-6102	EMERGENCY EYEWASH & SHOWER	HAWS CO	8317CTFP	1-1/4	120	120	HAWS CO MODEL 9001 EMERGENCY ALARM SYSTEM, 5 FT HEAT TRACE CABLE, RECIRCULATION OPTION.
ESEW-6103	EMERGENCY EYEWASH & SHOWER	HAWS CO	8300	1-1/4	120	--	HAWS CO MODEL 9001 EMERGENCY ALARM SYSTEM
ESEW-6104	EMERGENCY EYEWASH & SHOWER	HAWS CO	8300	1-1/4	120	--	HAWS CO MODEL 9001 EMERGENCY ALARM SYSTEM
ESEW-6105	EMERGENCY EYEWASH & SHOWER	HAWS CO	8317CTFP	1-1/4	120	120	HAWS CO MODEL 9001 EMERGENCY ALARM SYSTEM, 5 FT HEAT TRACE CABLE, RECIRCULATION OPTION.
ESEW-6106	EMERGENCY EYEWASH & SHOWER	HAWS CO	8300	1-1/4	120	--	HAWS CO MODEL 9001 EMERGENCY ALARM SYSTEM

NOTES:
 1. SEE SPECIFICATION 22 45 00 FOR CONSTRUCTION AND ACCESSORY DETAILS.

GMP SUBMITTAL. DO NOT USE FOR CONSTRUCTION.

Autosaved: Docx\60711-001_Wilson_WTP_Rehab_File_Baer60711-003-3000-FB-3106-FWC-PLUM.dwg 11/19/2024 1:59:59 PM

PROJECT MANAGER:	T. HUDSON
DESIGNED BY:	J. JOHNSON
DRAWN BY:	J. JOHNSON
PROJECT ENGINEER:	T. MONAHAN
IF THIS BAR DOES NOT MEASURE 1" THEN DRAWING IS NOT TO FULL SCALE	
REV	ISSUED FOR
	DATE
	BY



Hazen
 HAZEN AND SAWYER
 8150 N. CENTRAL EXPRESSWAY
 TOWER II - SUITE 700
 DALLAS, TEXAS 75206

CENTRAL ARKANSAS WATER
 LITTLE ROCK, ARKANSAS

 JACK H. WILSON WTP RENEWAL
 AND RESILIENCY PROJECT

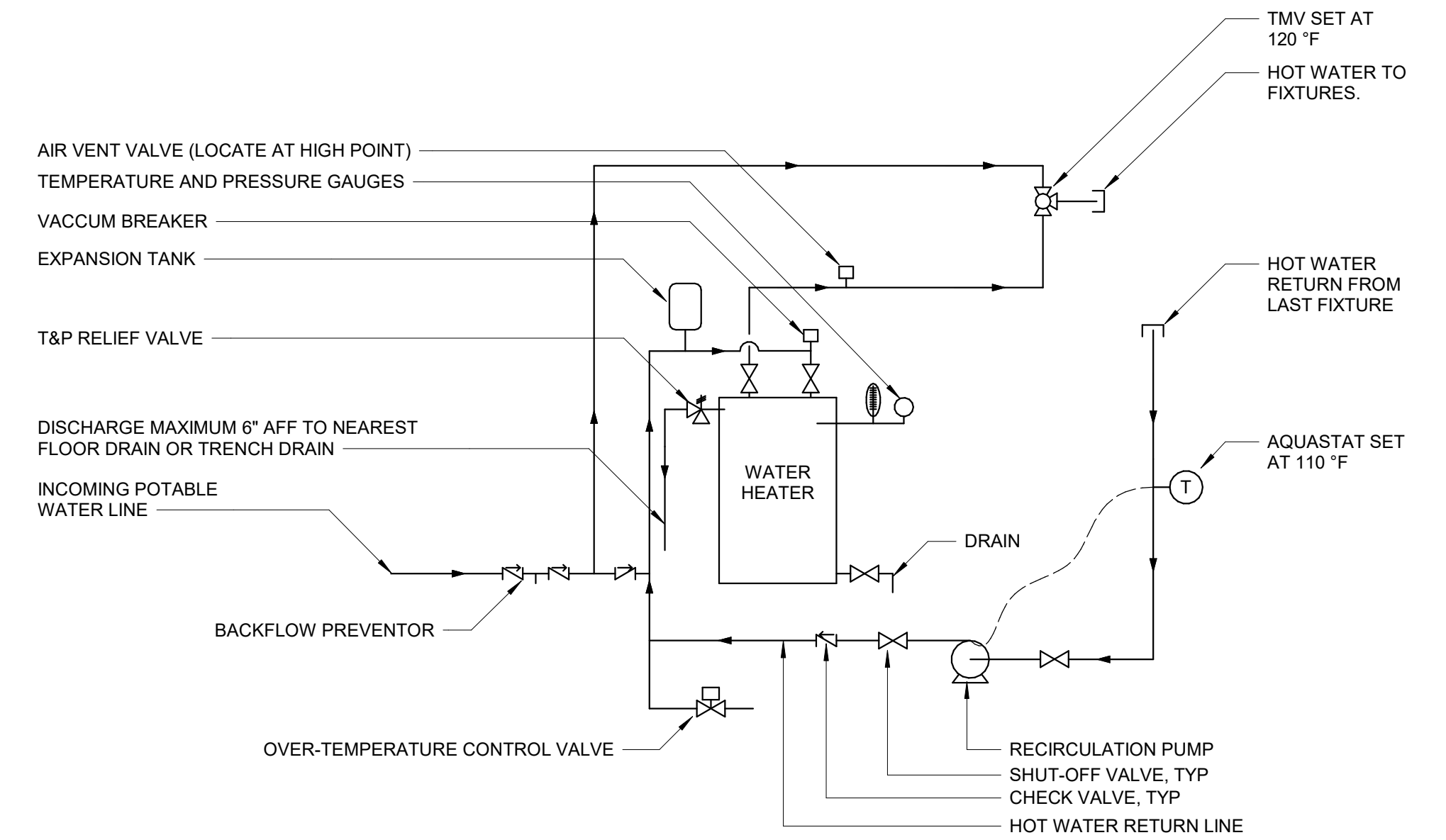
GENERAL
 PLUMBING
 SCHEDULES SHEET 1

DATE:	NOVEMBER 2024
HAZEN NO.:	60711-003
CONTRACT NO.:	1
DRAWING NUMBER:	P0002

PLUMBING DRAINAGE/SPECIALTY PRODUCTS

TAG	FIXTURE	MANUFACTURER		CW (IN)	HW (IN)	TW (IN)	WASTE (IN)	VENT (IN)	ACCESSORIES	NOTES
		MAKE	MODEL							
AV	HIGH CAPACITY AUTOMATIC AIR VENT	WATTS	FV-4	1/2	-	-	-	-	--	4
ET-3001	EXPANSION TANK	AMTROL	ST-12C-DD	3/4	-	-	-	-	--	1
ET-8001	EXPANSION TANK	AMTROL	ST-12C-DD	3/4	-	-	-	-	--	1
FC0	FLOOR CLEANOUT	ZURN	Z1400-ZB	-	-	-	4	-	--	2
FD-1	6" ROUND FLOOR DRAIN	ZURN	Z415B	-	-	-	3	SEE PLANS	PROSET TRAP GUARD TG33	2
FD-2	8" ROUND FLOOR DRAIN	ZURN	ZB415B-Y	-	-	-	4	SEE PLANS	PROSET TRAP GUARD TG33	2
HB	HOSE BIB	WOODFORD	MODEL 24	3/4	-	-	-	-	NON-REMOVABLE ANTI-SIPHON VACUUM BREAKER	1
HR	HOSE RACK	LEONARD	HDHR	-	-	-	-	-	--	1
NFWH	NON-FREEZE WALL HYDRANT	WOODFORD	MODEL 65	3/4	-	-	-	-	FREEZEPROOF FIXTURE WITH ANTI-SIPHON VACUUM BREAKER	1
NFYH	NON-FREEZE YARD HYDRANT	ZURN	Z1390	1-1/2	-	-	-	-	--	1
IMB	ICE MAKER BOX	GUY GRAY	MIB1HAAB	1/2	-	-	-	-	WATER HAMMER ARRESTOR	1
PRV-1	PRESSURE REDUCING VALVE	WATTS	LF223S	2	-	-	-	-	STRAINER	1, 5
PRV-2	PRESSURE REDUCING VALVE	WATTS	ES-LFN223B	2-1/2	-	-	-	-	STRAINER	1, 5
TMV-1	THERMOSTATIC MIXING VALVE	LEONARD	XL-32A-LF-BDT	3/4	3/4	-	-	-	--	1
WHA-X	WATER HAMMER ARRESTOR	WATTS	LF15M2	SEE PLANS	-	-	-	-	--	1

NOTES:
 1. SEE SPECIFICATION 22 11 19 FOR CONSTRUCTION AND ACCESSORY DETAILS.
 2. SEE SPECIFICATION 22 13 19 FOR CONSTRUCTION AND ACCESSORY DETAILS.
 3. PROVIDE FOR ALL LAVATORIES. SET TO 110°F.
 4. INSTALL AT HIGH POINT OF HOT WATER SYSTEM.
 5. SET AT 70 PSI.

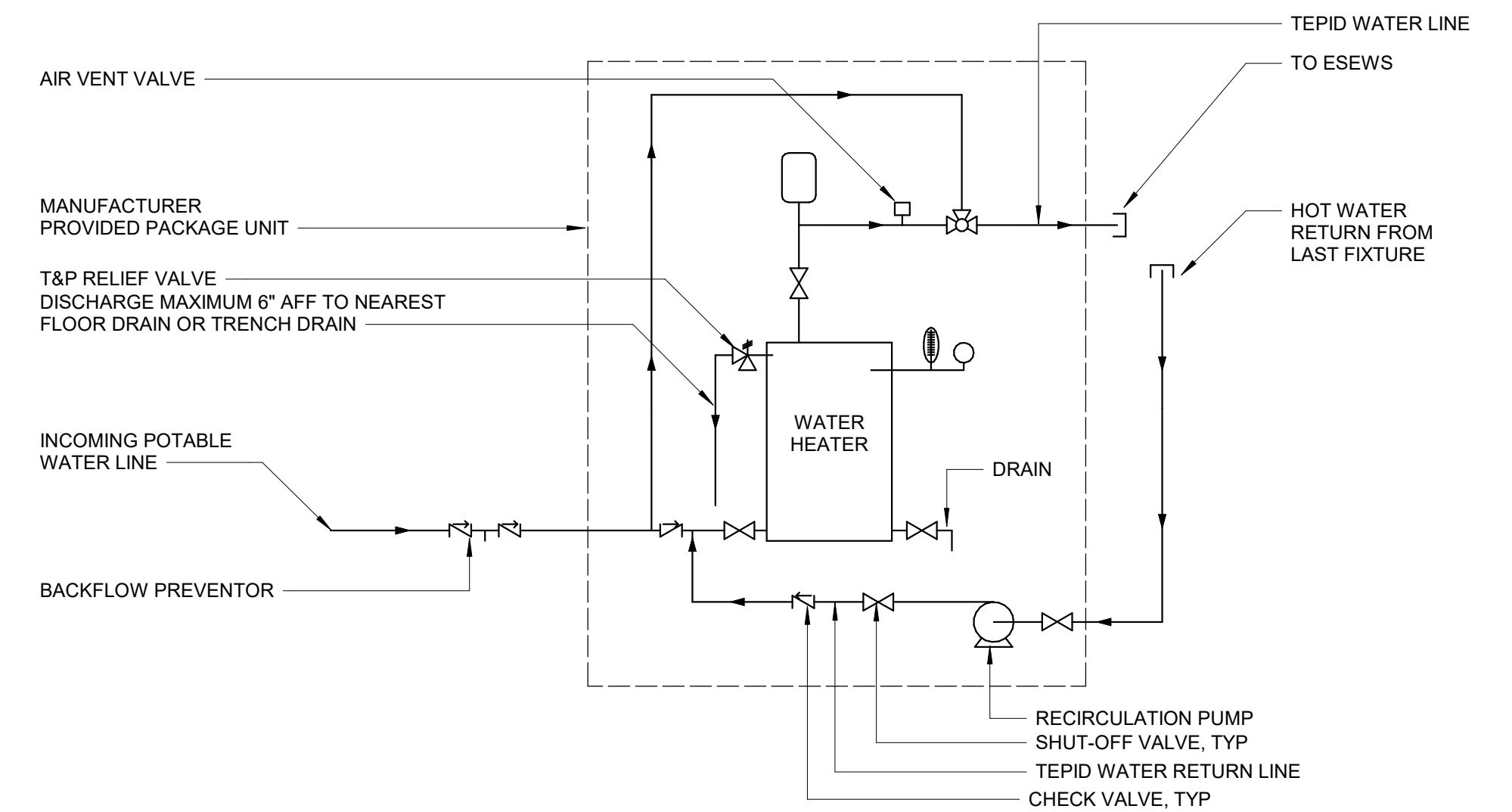


WATER HEATER DIAGRAM -DOMESTIC HOT WATER

PLUMBING FIXTURES

TAG	FIXTURE	MANUFACTURER		CW (IN)	HW (IN)	WASTE (IN)	VENT (IN)	ACCESSORIES	NOTES
		MAKE	MODEL						
EWC	BILEVEL ELEC WATER COOLER	ELKAY	LZSTL8WSLP	1/2	-	1-1/2	1-1/2	BOTTLE FILLER, WATER COOLER, AND FILTERS	1, 2
LAV-1	DROP-IN LAVATORY	AMERICAN STANDARD	RELIANT 0475247	1/2	1/2	1-1/2	1-1/2	AMERICAN STANDARD 6055.105 ADA FAUCET, ADJUSTABLE P-TRAP, QUARTER-TURN BRASS BALL VALVE LAVATORY SUPPLY	1, 2
LAV-2	WALL-HUNG LAVATORY	AMERICAN STANDARD	DECORUM 9024.001EC	1/2	1/2	1-1/2	1-1/2	AMERICAN STANDARD 6055.105 ADA FAUCET, ADJUSTABLE P-TRAP, QUARTER-TURN BRASS BALL VALVE LAVATORY SUPPLY	1, 2
LS-1	LAB SINK	CHEMTOP	U25	1/2	1/2	1-1/2	1-1/2	CHICAGO FAUCETS LWM3-A13-A, ADJUSTABLE P-TRAP, QUARTER-TURN BRASS BALL VALVE LAVATORY SUPPLY	1, 2
LS-2	LAB SINK	CHEMTOP	U49	1/2	1/2	1-1/2	1-1/2	CHICAGO FAUCETS LWM4-A13-A, ADJUSTABLE P-TRAP, QUARTER-TURN BRASS BALL VALVE LAVATORY SUPPLY	1, 2
SS	MOP SINK	FIAT	MSB3624	1/2	1/2	3	2	FIAT 830AA FAUCET WITH VACUUM BREAKER, SS SPLASH PANELS	1
SH	SHOWER	ZURN	Z7500	1/2	1/2	2	2	INTEGRAL TEMP GUARD PRESSURE BALANCING SHOWER VALVE, 36" X 36" SHOWER BASE WITH ADA SEAT.	1, 2
S-1	DOUBLE BOWL DROP-IN SINK	ELKAY	LR3122PD	1/2	1/2	2	2	CHICAGO 786-GN10AE3SWGABP FAUCET, ELKAY LKPD1 DRAIN FITTING, STOPS AND RISERS	1, 2
S-2	DROP-IN SINK	AMERICAN STANDARD	RELIANT 0475247	1/2	1/2	1-1/2	1-1/2	AMERICAN STANDARD 7075104 ADA FAUCET, ADJUSTABLE P-TRAP, QUARTER-TURN BRASS BALL VALVE LAVATORY SUPPLY	1, 2
UR	URINAL	KOHLER	K-5452-ETSS	3/4	-	2	2	K-10UD00D20-CP 0.125 GPF FLUSHOMETER	1, 2
WC	WATER CLOSET	KOHLER	KINGSTON ULTRA K-84325-SSL	1	-	4	2	K-4731-SA OPEN FRONT SEAT, K-10TD00N10-CP 1.28 GPF	1, 2

NOTES:
 1. SEE SPECIFICATION 22 40 00 FOR CONSTRUCTION AND ACCESSORY DETAILS.
 2. REFER TO ARCHITECTURAL FOR ACCESSIBILITY REQUIREMENTS AND INSTALLATION HEIGHTS / DIMENSIONS.

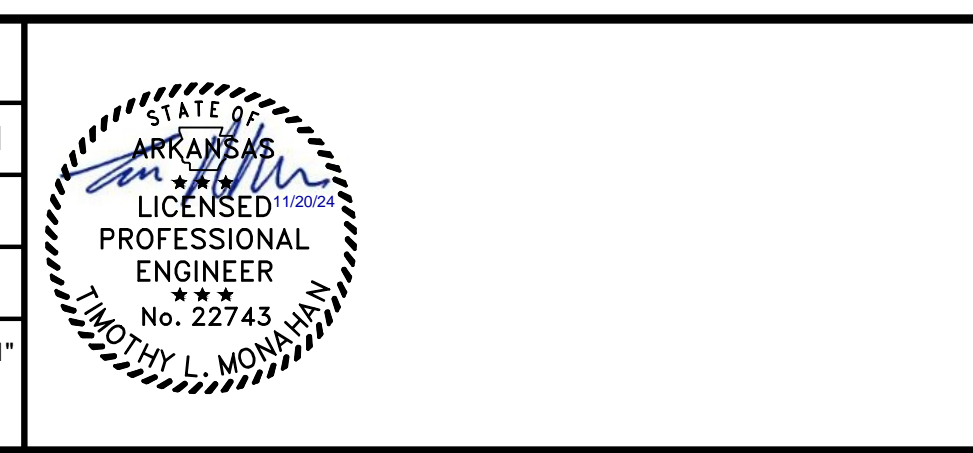


WATER HEATER DIAGRAM - LOCAL & REMOTE ESEW

GMP SUBMITTAL. DO NOT USE FOR CONSTRUCTION.

Autodesk_Docs\60711-001_Wilson_WTP_Rehab_File_Base\60711-003-3000-FB-3106-FWC-PLUM-04 11/18/2024 1:59:55 PM

PROJECT MANAGER:	T. HUDSON		
DESIGNED BY:	J. JOHNSON		
DRAWN BY:	J. JOHNSON		
PROJECT ENGINEER:	T. MONAHAN		
IF THIS BAR DOES NOT MEASURE 1" THEN DRAWING IS NOT TO FULL SCALE	0 1/2" 1"		
REV	ISSUED FOR	DATE	BY



**CENTRAL ARKANSAS WATER
 LITTLE ROCK, ARKANSAS**

**JACK H. WILSON WTP RENEWAL
 AND RESILIENCY PROJECT**

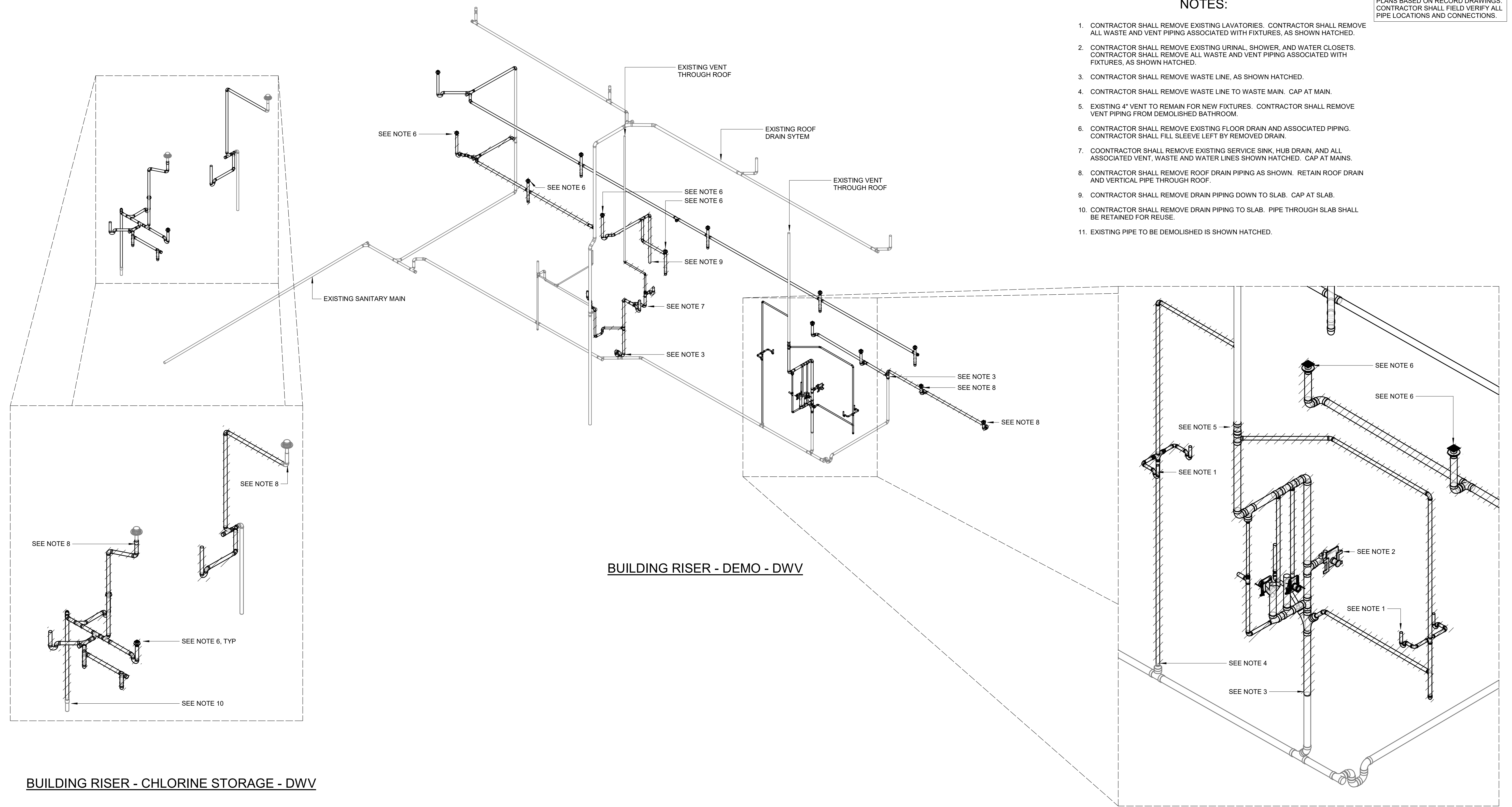
**GENERAL
 PLUMBING
 SCHEDULES SHEET 2**

DATE:	NOVEMBER 2024
HAZEN NO.:	60711-003
CONTRACT NO.:	1
DRAWING NUMBER:	P0003

PLANS BASED ON RECORD DRAWINGS.
CONTRACTOR SHALL FIELD VERIFY ALL
PIPE LOCATIONS AND CONNECTIONS.

NOTES:

1. CONTRACTOR SHALL REMOVE EXISTING LAVATORIES. CONTRACTOR SHALL REMOVE ALL WASTE AND VENT PIPING ASSOCIATED WITH FIXTURES, AS SHOWN HATCHED.
2. CONTRACTOR SHALL REMOVE EXISTING URINAL, SHOWER, AND WATER CLOSETS. CONTRACTOR SHALL REMOVE ALL WASTE AND VENT PIPING ASSOCIATED WITH FIXTURES, AS SHOWN HATCHED.
3. CONTRACTOR SHALL REMOVE WASTE LINE, AS SHOWN HATCHED.
4. CONTRACTOR SHALL REMOVE WASTE LINE TO WASTE MAIN. CAP AT MAIN.
5. EXISTING 4" VENT TO REMAIN FOR NEW FIXTURES. CONTRACTOR SHALL REMOVE VENT PIPING FROM DEMOLISHED BATHROOM.
6. CONTRACTOR SHALL REMOVE EXISTING FLOOR DRAIN AND ASSOCIATED PIPING. CONTRACTOR SHALL FILL SLEEVE LEFT BY REMOVED DRAIN.
7. CONTRACTOR SHALL REMOVE EXISTING SERVICE SINK, HUB DRAIN, AND ALL ASSOCIATED VENT, WASTE AND WATER LINES SHOWN HATCHED. CAP AT MAINS.
8. CONTRACTOR SHALL REMOVE ROOF DRAIN PIPING AS SHOWN. RETAIN ROOF DRAIN AND VERTICAL PIPE THROUGH ROOF.
9. CONTRACTOR SHALL REMOVE DRAIN PIPING DOWN TO SLAB. CAP AT SLAB.
10. CONTRACTOR SHALL REMOVE DRAIN PIPING TO SLAB. PIPE THROUGH SLAB SHALL BE RETAINED FOR REUSE.
11. EXISTING PIPE TO BE DEMOLISHED IS SHOWN HATCHED.



BUILDING RISER - DEMO - DWV

BUILDING RISER - CHLORINE STORAGE - DWV

BUILDING RISER - MENS/WOMENS RESTROOM - DEMO - DWV

GMP SUBMITTAL. DO NOT USE FOR CONSTRUCTION.

Autodesk_Docs\60711-003_Wilson_WTP_Rehab_File_Base\60711-003-3000-FB-3100-FWC-PLUM.dwg 11/18/2024 2:00:01 PM

REV	ISSUED FOR	DATE	BY

PROJECT MANAGER:	T. HUDSON
DESIGNED BY:	J. JOHNSON
DRAWN BY:	J. JOHNSON
PROJECT ENGINEER:	T. MONAHAN
IF THIS BAR DOES NOT MEASURE 1" THEN DRAWING IS NOT TO FULL SCALE	



Hazen
HAZEN AND SAWYER
8150 N. CENTRAL EXPRESSWAY
TOWER II - SUITE 700
DALLAS, TEXAS 75206

CENTRAL ARKANSAS WATER
LITTLE ROCK, ARKANSAS

JACK H. WILSON WTP RENEWAL
AND RESILIENCY PROJECT

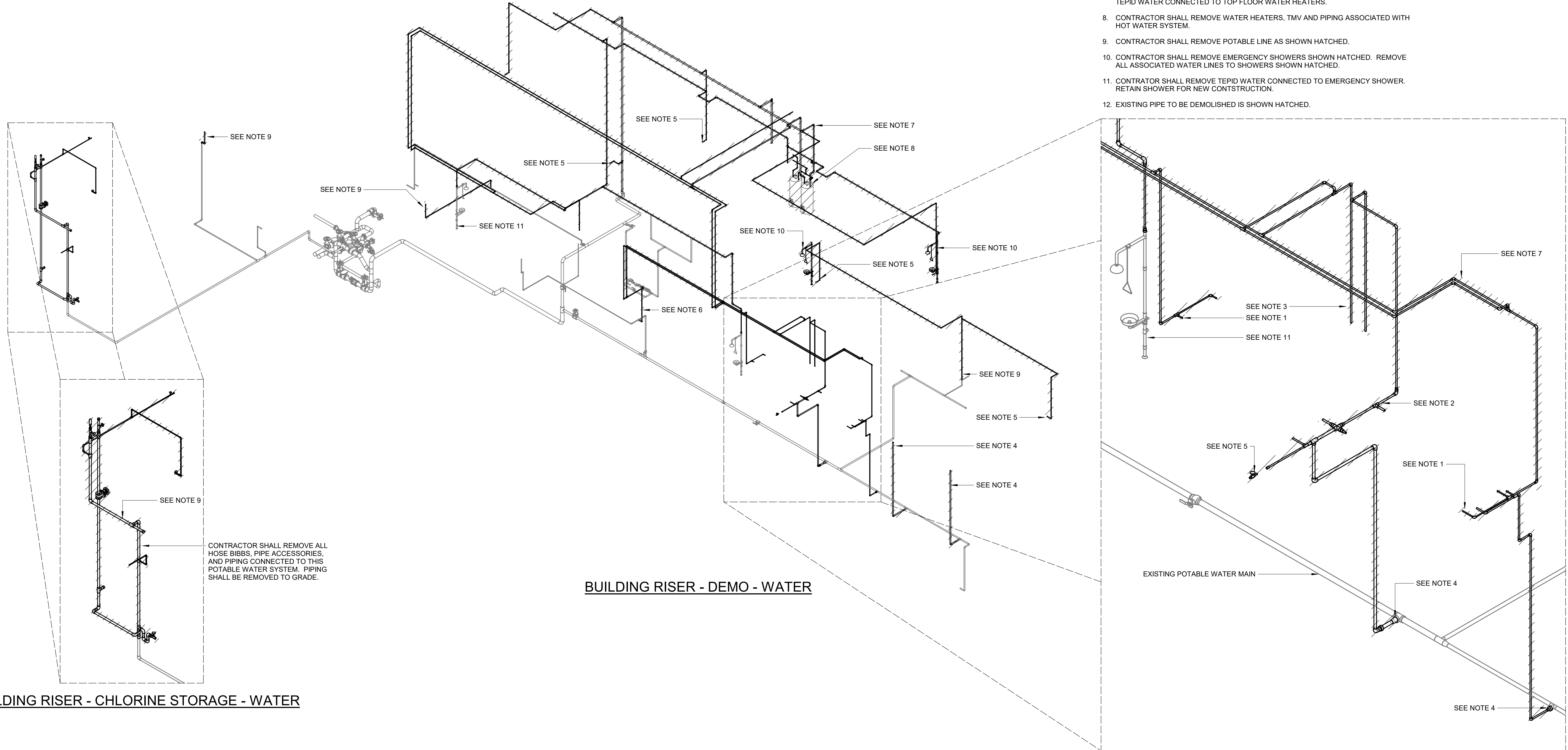
FILTER BUILDING
PLUMBING
BUILDING RISER - DEMOLITION - DWV

DATE:	NOVEMBER 2024
HAZEN NO.:	60711-003
CONTRACT NO.:	1
DRAWING NUMBER:	P3000

PLANS BASED ON RECORD DRAWINGS.
CONTRACTOR SHALL FIELD VERIFY ALL
PIPE LOCATIONS AND CONNECTIONS.

NOTES:

1. CONTRACTOR SHALL REMOVE EXISTING LAVATORIES. CONTRACTOR SHALL REMOVE ALL WATER PIPING ASSOCIATED WITH FIXTURES, AS SHOWN HATCHED.
2. CONTRACTOR SHALL REMOVE EXISTING URINAL AND WATER CLOSETS. CONTRACTOR SHALL REMOVE ALL WATER PIPING ASSOCIATED WITH FIXTURES, AS SHOWN HATCHED.
3. CONTRACTOR SHALL REMOVE EXISTING SHOWER. CONTRACTOR SHALL REMOVE ALL WATER PIPING ASSOCIATED WITH FIXTURES, AS SHOWN HATCHED.
4. CONTRACTOR SHALL REMOVE POTABLE WATER LINE TO MAIN, AS SHOWN HATCHED.
5. CONTRACTOR SHALL REMOVE HOSE BIBB AND ASSOCIATED WATER LINE.
6. CONTRACTOR SHALL REMOVE EXISTING SERVICE SINK AND ALL ASSOCIATED WATER PIPING AS SHOWN HATCHED. CAP AT MAINS.
7. CONTRACTOR SHALL REMOVE ALL HOT WATER, HOT WATER RECIRCULATION, AND TEPID WATER CONNECTED TO TOP FLOOR WATER HEATERS.
8. CONTRACTOR SHALL REMOVE WATER HEATERS, TMV AND PIPING ASSOCIATED WITH HOT WATER SYSTEM.
9. CONTRACTOR SHALL REMOVE POTABLE LINE AS SHOWN HATCHED.
10. CONTRACTOR SHALL REMOVE EMERGENCY SHOWERS SHOWN HATCHED. REMOVE ALL ASSOCIATED WATER LINES TO SHOWERS SHOWN HATCHED.
11. CONTRACTOR SHALL REMOVE TEPID WATER CONNECTED TO EMERGENCY SHOWER. RETAIN SHOWER FOR NEW CONSTRUCTION.
12. EXISTING PIPE TO BE DEMOLISHED IS SHOWN HATCHED.



BUILDING RISER - CHLORINE STORAGE - WATER

BUILDING RISER - DEMO - WATER

BUILDING RISER - MENS/WOMENS RESTROOM - DEMO - WATER

GMP SUBMITTAL. DO NOT USE FOR CONSTRUCTION.

Autodesk_Docs\60711-003_Wilson_WTP_Rehab_Filter_Building\60711-003-3000-FB-3100-FWC-PLUM.dwg 11/18/2024 2:00:02 PM

REV	ISSUED FOR	DATE	BY

PROJECT MANAGER:	T. HUDSON
DESIGNED BY:	J. JOHNSON
DRAWN BY:	J. JOHNSON
PROJECT ENGINEER:	T. MONAHAN
IF THIS BAR DOES NOT MEASURE 1" THEN DRAWING IS NOT TO FULL SCALE	



Hazen
HAZEN AND SAWYER
8150 N. CENTRAL EXPRESSWAY
TOWER II - SUITE 700
DALLAS, TEXAS 75206

CENTRAL ARKANSAS WATER
LITTLE ROCK, ARKANSAS

JACK H. WILSON WTP RENEWAL
AND RESILIENCY PROJECT

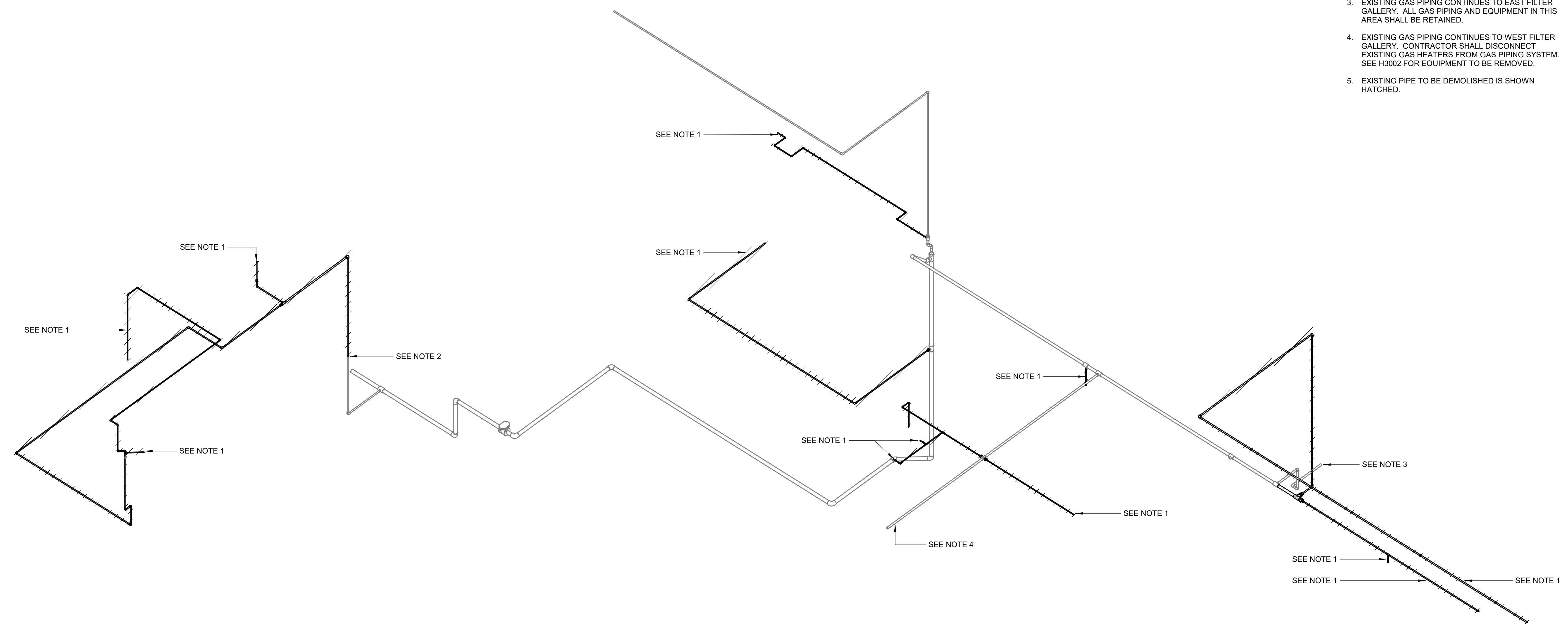
FILTER BUILDING
PLUMBING
BUILDING RISER - DEMOLITION - WATER

DATE:	NOVEMBER 2024
HAZEN NO.:	60711-003
CONTRACT NO.:	1
DRAWING NUMBER:	P3001

PLANS BASED ON RECORD DRAWINGS.
CONTRACTOR SHALL FIELD VERIFY ALL
PIPE LOCATIONS AND CONNECTIONS.

NOTES:

1. CONTRACTOR SHALL REMOVE GAS PIPING ASSOCIATED WITH EXISTING HVAC EQUIPMENT, AS SHOWN HATCHED. SEE HVAC PLANS FOR EXACT LOCATION OF EQUIPMENT TO BE REMOVED.
2. CONTRACTOR SHALL REMOVE GAS PIPING TO SLAB, AS SHOWN HATCHED. CAP GAS PIPING AT SLAB.
3. EXISTING GAS PIPING CONTINUES TO EAST FILTER GALLERY. ALL GAS PIPING AND EQUIPMENT IN THIS AREA SHALL BE RETAINED.
4. EXISTING GAS PIPING CONTINUES TO WEST FILTER GALLERY. CONTRACTOR SHALL DISCONNECT EXISTING GAS HEATERS FROM GAS PIPING SYSTEM. SEE H3002 FOR EQUIPMENT TO BE REMOVED.
5. EXISTING PIPE TO BE DEMOLISHED IS SHOWN HATCHED.



BUILDING RISER - DEMO - GAS

GMP SUBMITTAL. DO NOT USE FOR CONSTRUCTION.

Autodesk_Docs\60711-003_Wilson_WTP_Rehab_Filter_Basins\60711-003-3000-FB-3100-FWC-PLUM.rvt
11/19/2024 2:00:03 PM

REV	ISSUED FOR	DATE	BY

PROJECT MANAGER:	T. HUDSON
DESIGNED BY:	J. JOHNSON
DRAWN BY:	J. JOHNSON
PROJECT ENGINEER:	T. MONAHAN
IF THIS BAR DOES NOT MEASURE 1" THEN DRAWING IS NOT TO FULL SCALE	



Hazen
HAZEN AND SAWYER
8150 N. CENTRAL EXPRESSWAY
TOWER II - SUITE 700
DALLAS, TEXAS 75206

CENTRAL ARKANSAS WATER
LITTLE ROCK, ARKANSAS

JACK H. WILSON WTP RENEWAL
AND RESILIENCY PROJECT

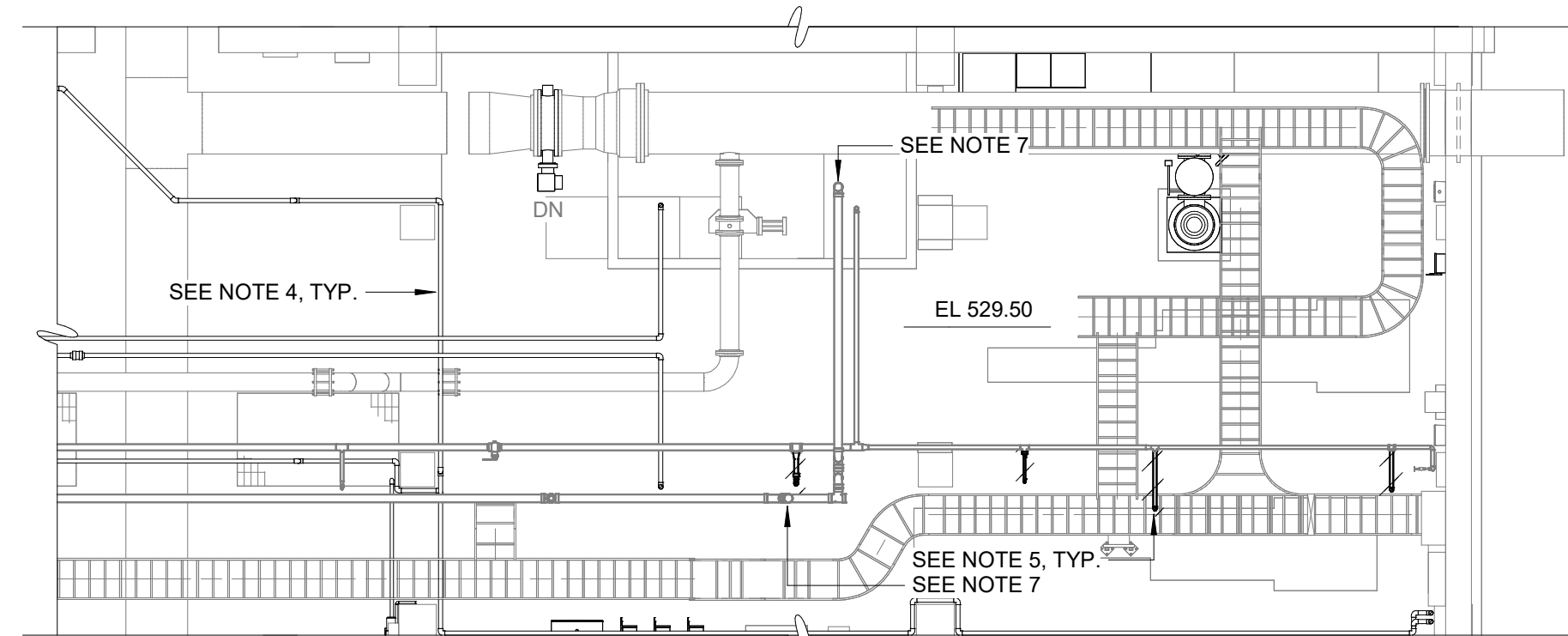
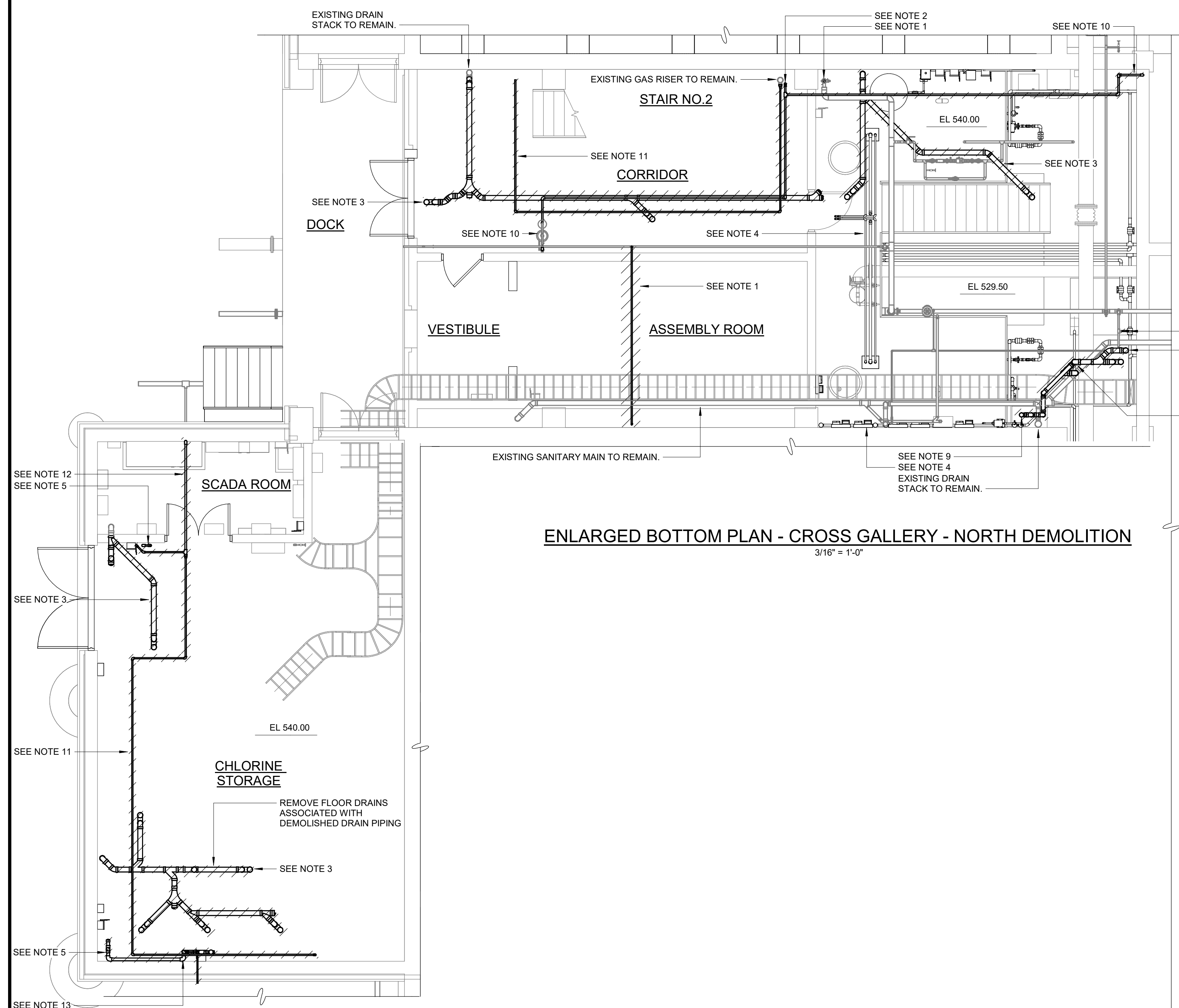
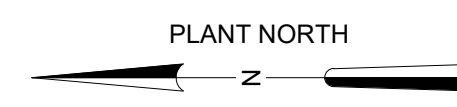
FILTER BUILDING
PLUMBING
BUILDING RISER - DEMOLITION - GAS

DATE:	NOVEMBER 2024
HAZEN NO.:	60711-003
CONTRACT NO.:	1
DRAWING NUMBER:	P3002

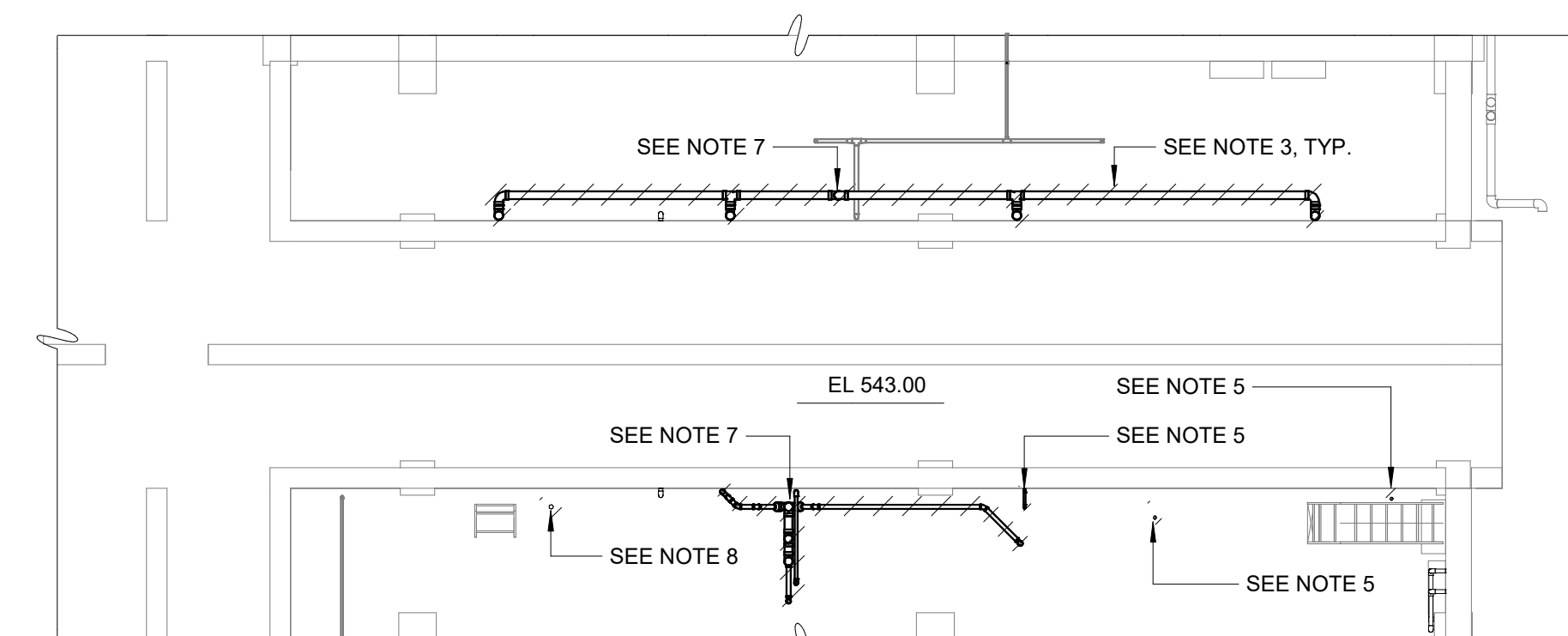
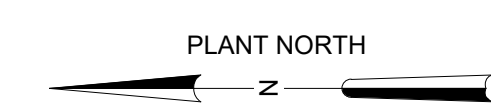
PLANS BASED ON RECORD DRAWINGS. CONTRACTOR SHALL FIELD VERIFY ALL PIPE LOCATIONS AND CONNECTIONS.

NOTES:

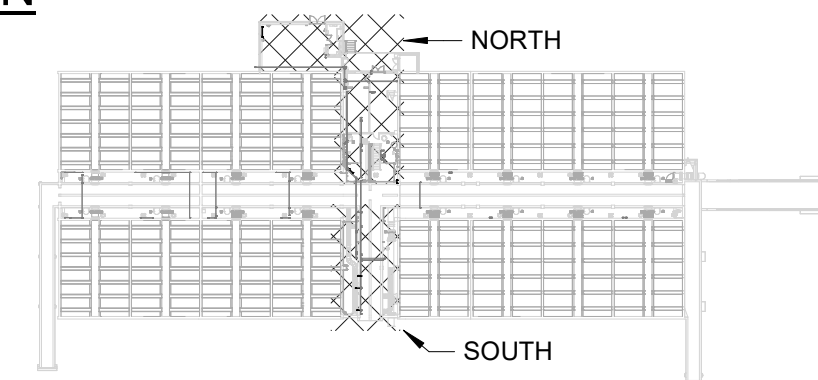
1. CONTRACTOR SHALL REMOVE EXISTING WATER LINE SHOWN HATCHED. REPLACE TEE FITTING AT BRANCH WITH UNION FITTING.
2. CONTRACTOR SHALL REMOVE EXISTING ALL TEPID WATER PIPING TO EXISTING EMERGENCY FIXTURES. EMERGENCY FIXTURES SHALL BE PROVIDED WITH NEW TEPID WATER SYSTEM. SEE P3011 FOR NEW SYSTEM.
3. CONTRACTOR SHALL REMOVE EXISTING DRAIN AND DRAIN PIPING AS SHOWN HATCHED. DRAIN PIPING SHALL BE REMOVED TO SLAB.
4. REFER TO PROCESS MECHANICAL PLANS FOR DEMOLITION OF PIPES AND VALVES.
5. CONTRACTOR SHALL REMOVE WATER PIPING TO POINT SHOWN ON RISER DIAGRAM. SEE RISER DIAGRAM ON P3001.
6. CONTRACTOR SHALL REMOVE SANITARY BRANCH FROM SERVICE SINK AND DRAIN ABOVE.
7. EXISTING 4" WASTE STACK TO REMAIN FOR NEW FIXTURES. REFER TO SHEET P3010 FOR NEW CONSTRUCTION.
8. CONTRACTOR SHALL REMOVE EXISTING WASTE PIPE AS SHOWN HATCHED. SEE RISER DIAGRAM ON P3000 FOR MORE INFORMATION.
9. CONTRACTOR SHALL REMOVE WASTE PIPING COLLECTING ANALYZER ROOM DISCHARGE. SEE MECHANICAL DRAWINGS FOR MORE INFORMATION.
10. CONTRACTOR SHALL REMOVE EXISTING TEPID WATER PIPING TO EMERGENCY SHOWER. EMERGENCY SHOWER SHALL REMAIN FOR REUSE.
11. CONTRACTOR SHALL REMOVE EXISTING GAS PIPING AS SHOWN HATCHED. SEE HVAC PLANS FOR REMOVAL OR GAS EQUIPMENT.
12. EXISTING GAS PIPING CONTINUES TO SERVICE MAIN BELOW GRADE. CONTRACTOR SHALL REMOVE GAS PIPING TO SLAB AND CAP SERVICE AT SLAB.
13. CONTRACTOR SHALL REMOVE ALL ABOVE GRADE WATER PIPING BACK TO SLAB. SEE P3011 FOR NEW CONSTRUCTION.
14. EXISTING PIPE TO BE DEMOLISHED IS SHOWN HATCHED.



ENLARGED BOTTOM PLAN - CROSS GALLERY - SOUTH DEMOLITION



ENLARGED BOTTOM PLAN - CROSS GALLERY - SOUTH DEMOLITION



KEYPLAN

GMP SUBMITTAL. DO NOT USE FOR CONSTRUCTION.

Autodesk_Docs\60711-001_Wilson_WTP_Renewal_Plan_Plan_3100-FWC-PLUM.dwg 11/19/2024 2:00:10 PM

REV	ISSUED FOR	DATE	BY

PROJECT MANAGER:	T. HUDSON
DESIGNED BY:	J. JOHNSON
DRAWN BY:	J. JOHNSON
PROJECT ENGINEER:	T. MONAHAN
IF THIS BAR DOES NOT MEASURE 1" THEN DRAWING IS NOT TO FULL SCALE	



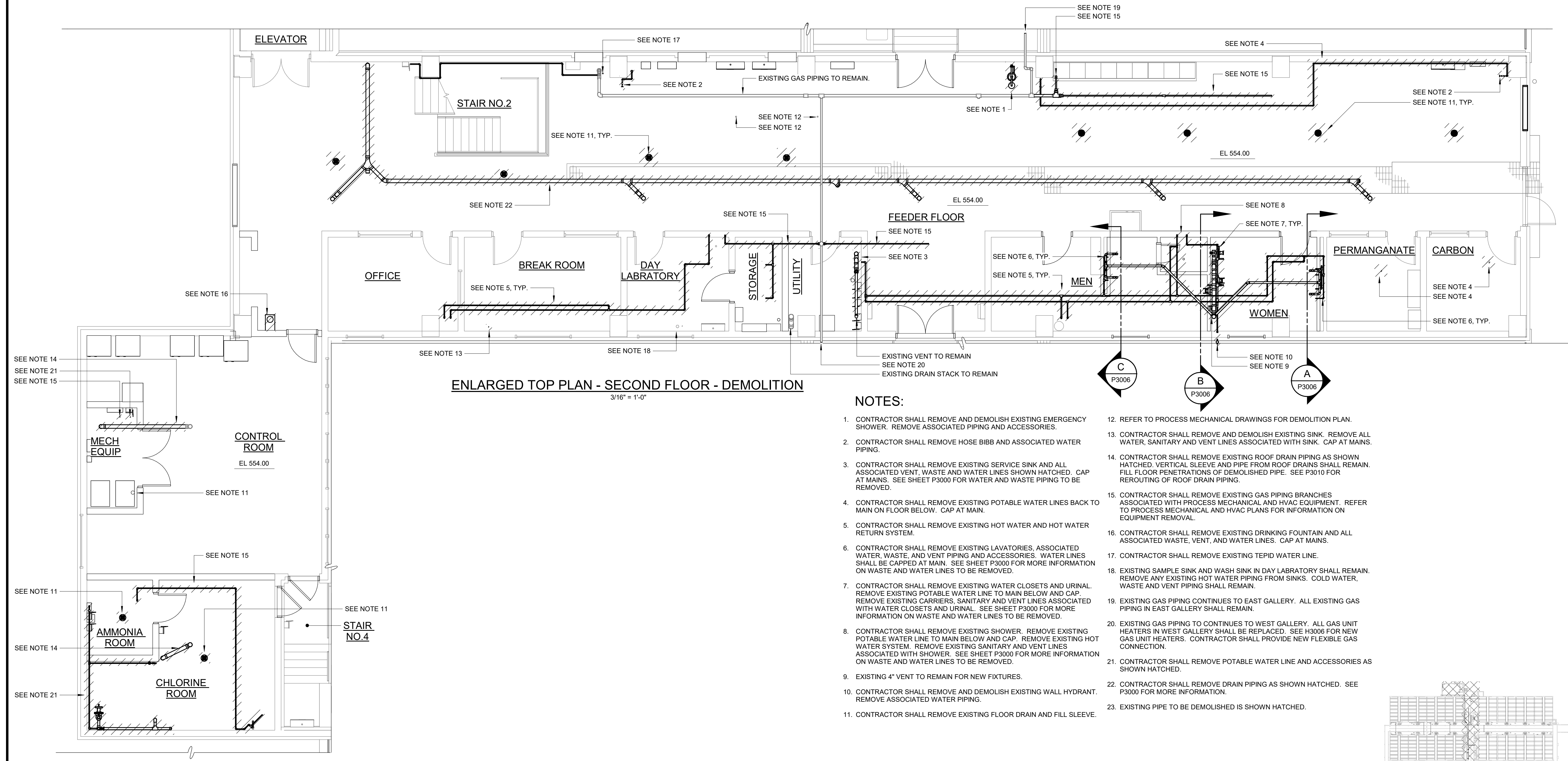
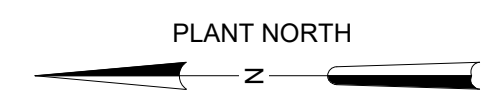
Hazen
 HAZEN AND SAWYER
 8150 N. CENTRAL EXPRESSWAY
 TOWER II - SUITE 700
 DALLAS, TEXAS 75206

CENTRAL ARKANSAS WATER
 LITTLE ROCK, ARKANSAS
 JACK H. WILSON WTP RENEWAL
 AND RESILIENCY PROJECT

FILTER BUILDING
 PLUMBING
 ENLARGED BOTTOM PLAN - CHLORINE
 STORAGE/CROSS GALLERY DEMOLITION

DATE:	NOVEMBER 2024
HAZEN NO.:	60711-003
CONTRACT NO.:	1
DRAWING NUMBER:	P3003

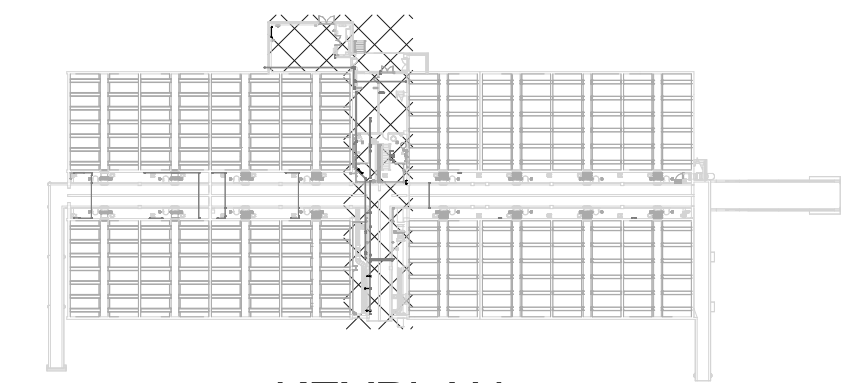
PLANS BASED ON RECORD DRAWINGS.
CONTRACTOR SHALL FIELD VERIFY ALL
PIPE LOCATIONS AND CONNECTIONS.



ENLARGED TOP PLAN - SECOND FLOOR - DEMOLITION
3/16" = 1'-0"

NOTES:

1. CONTRACTOR SHALL REMOVE AND DEMOLISH EXISTING EMERGENCY SHOWER. REMOVE ASSOCIATED PIPING AND ACCESSORIES.
2. CONTRACTOR SHALL REMOVE HOSE BIBB AND ASSOCIATED WATER PIPING.
3. CONTRACTOR SHALL REMOVE EXISTING SERVICE SINK AND ALL ASSOCIATED VENT, WASTE AND WATER LINES SHOWN HATCHED. CAP AT MAINS. SEE SHEET P3000 FOR WATER AND WASTE PIPING TO BE REMOVED.
4. CONTRACTOR SHALL REMOVE EXISTING POTABLE WATER LINES BACK TO MAIN ON FLOOR BELOW. CAP AT MAIN.
5. CONTRACTOR SHALL REMOVE EXISTING HOT WATER AND HOT WATER RETURN SYSTEM.
6. CONTRACTOR SHALL REMOVE EXISTING LAVATORIES, ASSOCIATED WATER, WASTE, AND VENT PIPING AND ACCESSORIES. WATER LINES SHALL BE CAPPED AT MAIN. SEE SHEET P3000 FOR MORE INFORMATION ON WASTE AND WATER LINES TO BE REMOVED.
7. CONTRACTOR SHALL REMOVE EXISTING WATER CLOSETS AND URINAL. REMOVE EXISTING POTABLE WATER LINE TO MAIN BELOW AND CAP. REMOVE EXISTING CARRIERS, SANITARY AND VENT LINES ASSOCIATED WITH WATER CLOSETS AND URINAL. SEE SHEET P3000 FOR MORE INFORMATION ON WASTE AND WATER LINES TO BE REMOVED.
8. CONTRACTOR SHALL REMOVE EXISTING SHOWER. REMOVE EXISTING POTABLE WATER LINE TO MAIN BELOW AND CAP. REMOVE EXISTING HOT WATER SYSTEM. REMOVE EXISTING SANITARY AND VENT LINES ASSOCIATED WITH SHOWER. SEE SHEET P3000 FOR MORE INFORMATION ON WASTE AND WATER LINES TO BE REMOVED.
9. EXISTING 4" VENT TO REMAIN FOR NEW FIXTURES.
10. CONTRACTOR SHALL REMOVE AND DEMOLISH EXISTING WALL HYDRANT. REMOVE ASSOCIATED WATER PIPING.
11. CONTRACTOR SHALL REMOVE EXISTING FLOOR DRAIN AND FILL SLEEVE.
12. REFER TO PROCESS MECHANICAL DRAWINGS FOR DEMOLITION PLAN.
13. CONTRACTOR SHALL REMOVE AND DEMOLISH EXISTING SINK. REMOVE ALL WATER, SANITARY AND VENT LINES ASSOCIATED WITH SINK. CAP AT MAINS.
14. CONTRACTOR SHALL REMOVE EXISTING ROOF DRAIN PIPING AS SHOWN HATCHED. VERTICAL SLEEVE AND PIPE FROM ROOF DRAINS SHALL REMAIN. FILL FLOOR PENETRATIONS OF DEMOLISHED PIPE. SEE P3010 FOR REROUTING OF ROOF DRAIN PIPING.
15. CONTRACTOR SHALL REMOVE EXISTING GAS PIPING BRANCHES ASSOCIATED WITH PROCESS MECHANICAL AND HVAC EQUIPMENT. REFER TO PROCESS MECHANICAL AND HVAC PLANS FOR INFORMATION ON EQUIPMENT REMOVAL.
16. CONTRACTOR SHALL REMOVE EXISTING DRINKING FOUNTAIN AND ALL ASSOCIATED WASTE, VENT, AND WATER LINES. CAP AT MAINS.
17. CONTRACTOR SHALL REMOVE EXISTING TEPID WATER LINE.
18. EXISTING SAMPLE SINK AND WASH SINK IN DAY LABRATORY SHALL REMAIN. REMOVE ANY EXISTING HOT WATER PIPING FROM SINKS. COLD WATER, WASTE AND VENT PIPING SHALL REMAIN.
19. EXISTING GAS PIPING CONTINUES TO EAST GALLERY. ALL EXISTING GAS PIPING IN EAST GALLERY SHALL REMAIN.
20. EXISTING GAS PIPING TO CONTINUES TO WEST GALLERY. ALL GAS UNIT HEATERS IN WEST GALLERY SHALL BE REPLACED. SEE H3006 FOR NEW GAS UNIT HEATERS. CONTRACTOR SHALL PROVIDE NEW FLEXIBLE GAS CONNECTION.
21. CONTRACTOR SHALL REMOVE POTABLE WATER LINE AND ACCESSORIES AS SHOWN HATCHED.
22. CONTRACTOR SHALL REMOVE DRAIN PIPING AS SHOWN HATCHED. SEE P3000 FOR MORE INFORMATION.
23. EXISTING PIPE TO BE DEMOLISHED IS SHOWN HATCHED.



KEYPLAN
1" = 100'-0"

GMP SUBMITTAL. DO NOT USE FOR CONSTRUCTION.

Autodesk_Docs\60711-001_Wilson_WTP_Rehab_File_Base\60711-003-3000-FB-3100-FWC-PLUM.dwg 11/19/2024 2:00:15 PM

REV	ISSUED FOR	DATE	BY

PROJECT MANAGER:	T. HUDSON
DESIGNED BY:	J. JOHNSON
DRAWN BY:	J. JOHNSON
PROJECT ENGINEER:	T. MONAHAN
IF THIS BAR DOES NOT MEASURE 1" THEN DRAWING IS NOT TO FULL SCALE	



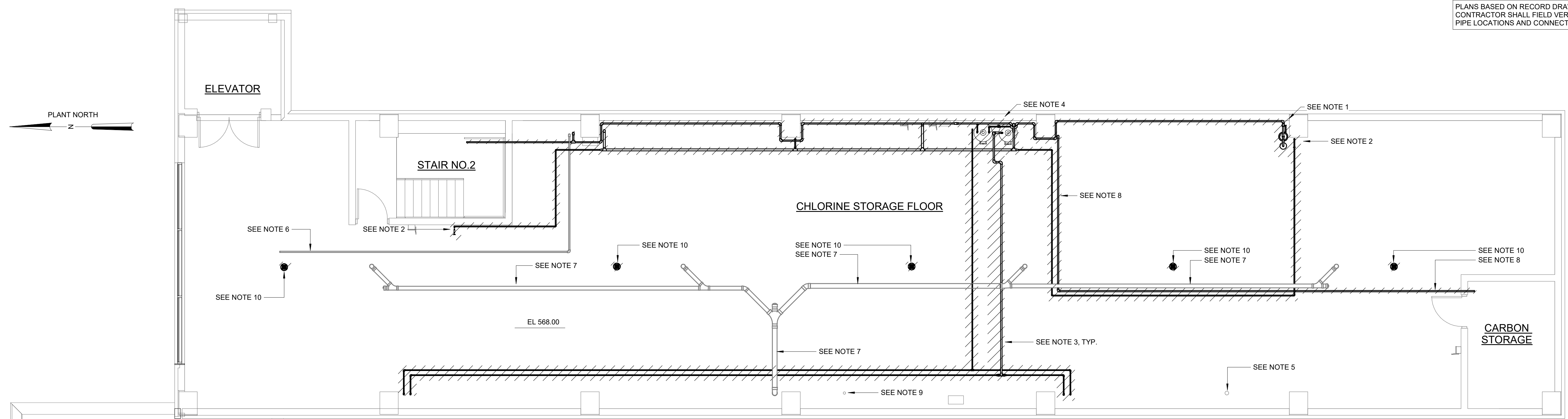
Hazen
HAZEN AND SAWYER
8150 N. CENTRAL EXPRESSWAY
TOWER II - SUITE 700
DALLAS, TEXAS 75206

CENTRAL ARKANSAS WATER
LITTLE ROCK, ARKANSAS
**JACK H. WILSON WTP RENEWAL
AND RESILIENCY PROJECT**

**FILTER BUILDING
PLUMBING
ENLARGED TOP PLAN - SECOND FLOOR
DEMOLITION**

DATE:	NOVEMBER 2024
HAZEN NO.:	60711-003
CONTRACT NO.:	1
DRAWING NUMBER:	P3004

PLANS BASED ON RECORD DRAWINGS.
CONTRACTOR SHALL FIELD VERIFY ALL
PIPE LOCATIONS AND CONNECTIONS.



ENLARGED TOP PLAN - THIRD FLOOR - DEMOLITION
3/16" = 1'-0"

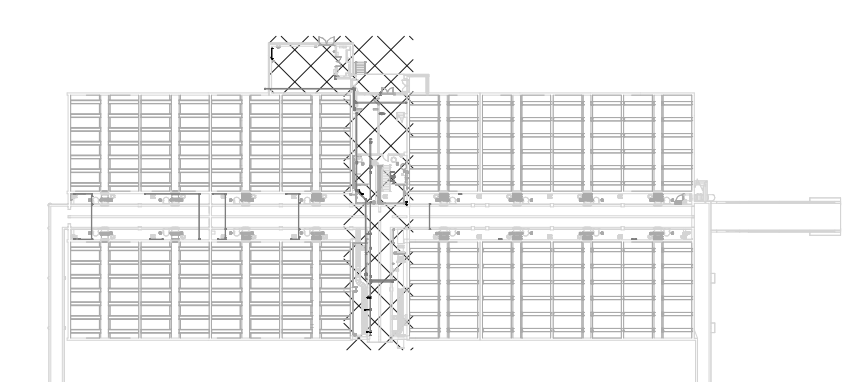
NOTES:

1. CONTRACTOR SHALL REMOVE EXISTING EMERGENCY SHOWER AND TEPID WATER CONNECTED TO FIXTURE.
2. CONTRACTOR SHALL REMOVE EXISTING HOSE BIBB AND WATER SUPPLY PIPING AS SHOWN HATCHED.
3. CONTRACTOR SHALL REMOVE ALL EXISTING POTABLE WATER, TEPID WATER, HOT WATER, AND HOT WATER RETURN PIPING ON THIS LEVEL.
4. CONTRACTOR SHALL REMOVE EXISTING WATER HEATERS AND TMV.
5. CONTRACTOR SHALL RETAIN EXISTING 4" VENT FOR NEW FIXTURES.
6. CONTRACTOR SHALL RETAIN EXISTING GAS PIPING TO REMAIN FOR NEW UNIT HEATER. SEE HVAC PLANS FOR REMOVAL OF HEATER.
7. EXISTING ROOF LEADER AND STORM COLLECTION SYSTEM TO REMAIN.
8. CONTRACTOR SHALL REMOVE GAS PIPING AS SHOWN HATCHED. SEE HVAC PLANS FOR REMOVAL OF HEATER.
9. CONTRACTOR SHALL RETAIN EXISTING 2-1/2" VENT.
10. CONTRACTOR SHALL REMOVE EXISTING DRAIN AND ASSOCIATED DRAIN PIPING.
11. CONTRACTOR SHALL REMOVE AND DEMOLISH ALL PIPING SHOWN HATCHED.

EXISTING ROOF DRAIN TO REMAIN

CHLORINE STORAGE BUILDING ROOF

EXISTING ROOF DRAIN TO REMAIN



KEYPLAN
1" = 100'-0"

GMP SUBMITTAL. DO NOT USE FOR CONSTRUCTION.

Autodesk Docs/60711-003-Wilson_WTP_Rehab_Filter_Basins/60711-003-3000-FB-3100-FWC-PLUM-04 11/20/2024 2:00:13 PM

REV	ISSUED FOR	DATE	BY

PROJECT MANAGER:	T. HUDSON
DESIGNED BY:	J. JOHNSON
DRAWN BY:	J. JOHNSON
PROJECT ENGINEER:	T. MONAHAN
IF THIS BAR DOES NOT MEASURE 1" THEN DRAWING IS NOT TO FULL SCALE	



Hazen
HAZEN AND SAWYER
8150 N. CENTRAL EXPRESSWAY
TOWER II - SUITE 700
DALLAS, TEXAS 75206

CENTRAL ARKANSAS WATER
LITTLE ROCK, ARKANSAS

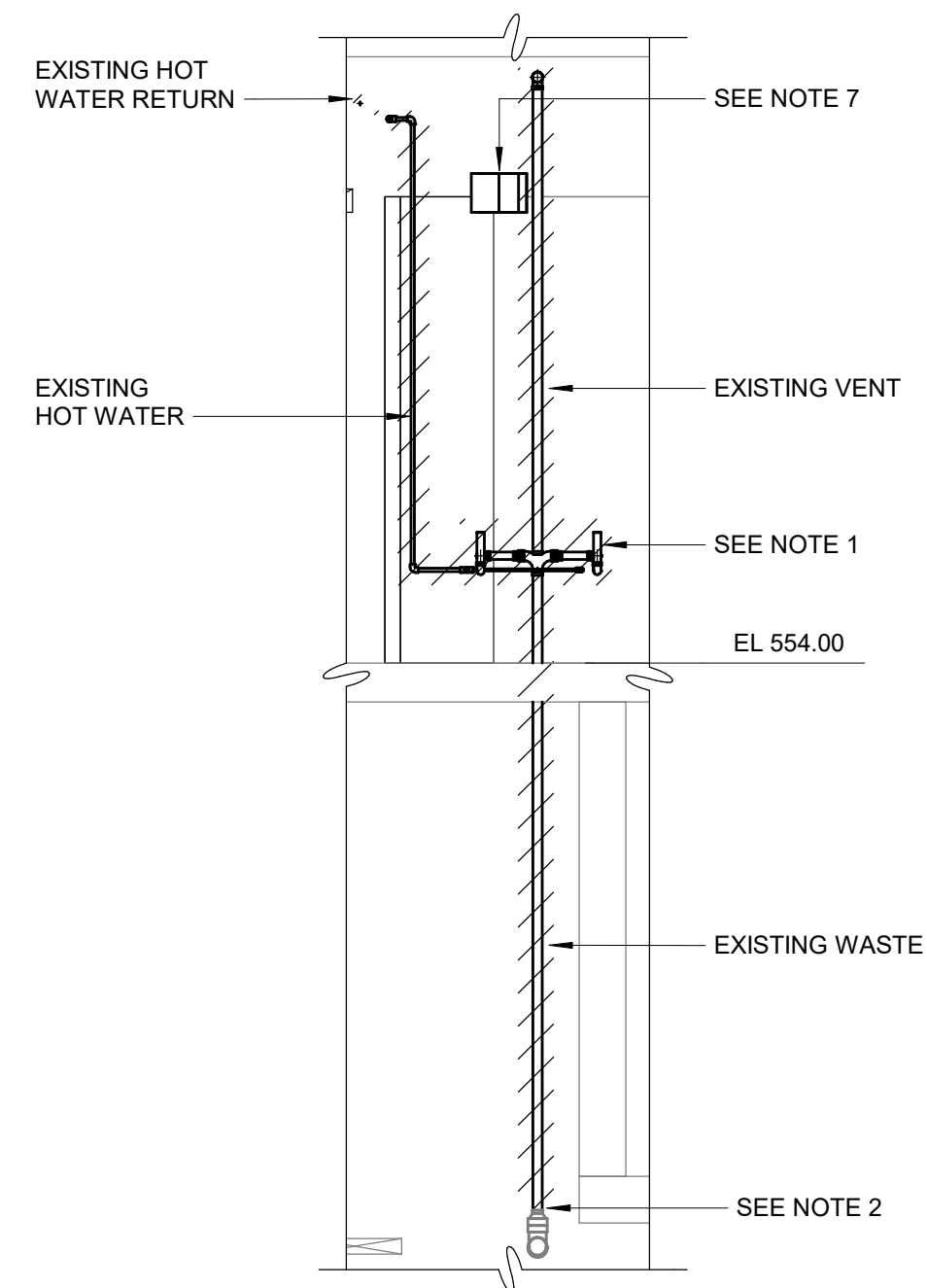
JACK H. WILSON WTP RENEWAL
AND RESILIENCY PROJECT

FILTER BUILDING
PLUMBING
ENLARGED TOP PLAN - THIRD FLOOR DEMOLITION

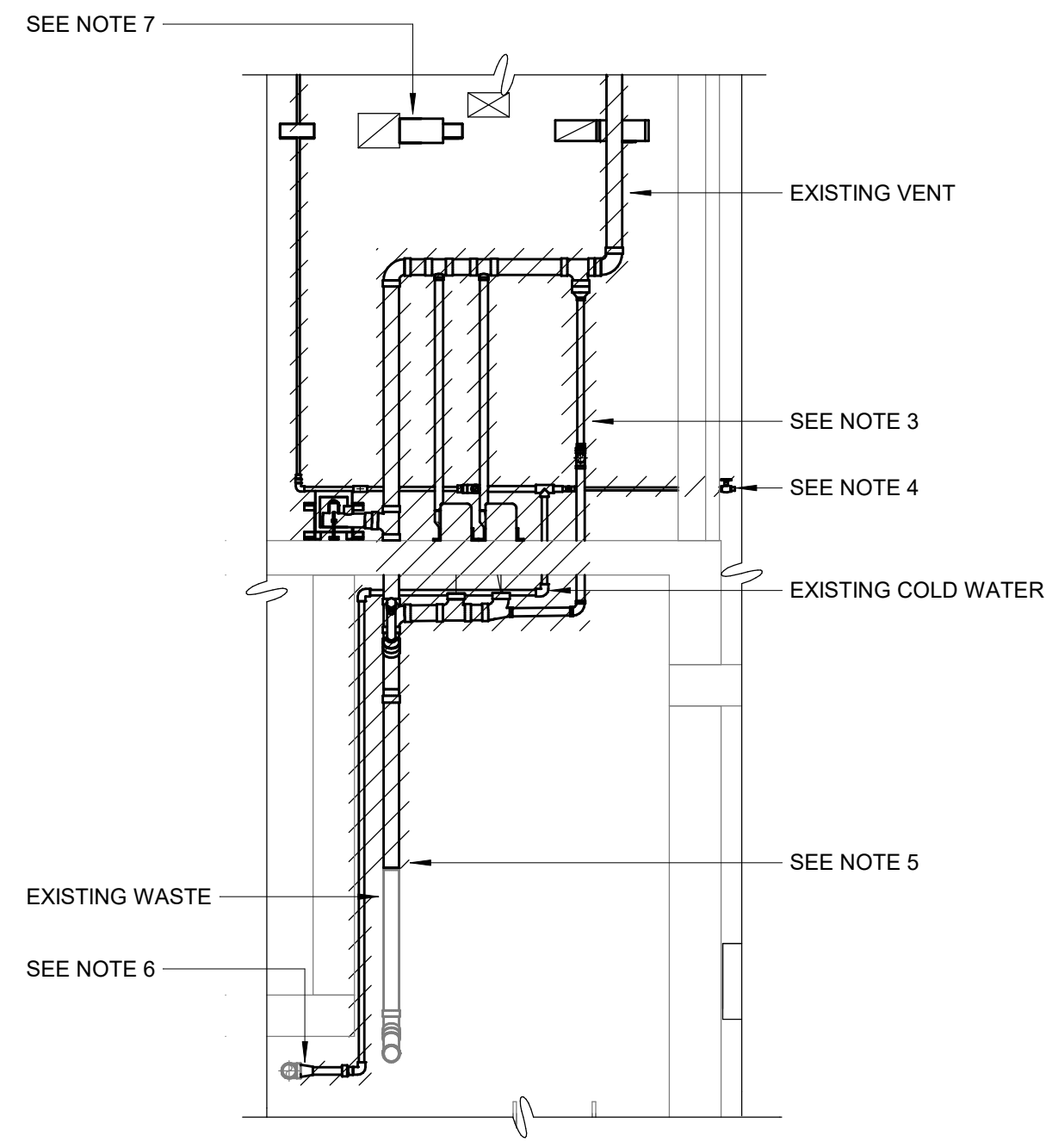
DATE:	NOVEMBER 2024
HAZEN NO.:	60711-003
CONTRACT NO.:	1
DRAWING NUMBER:	P3005

NOTES:

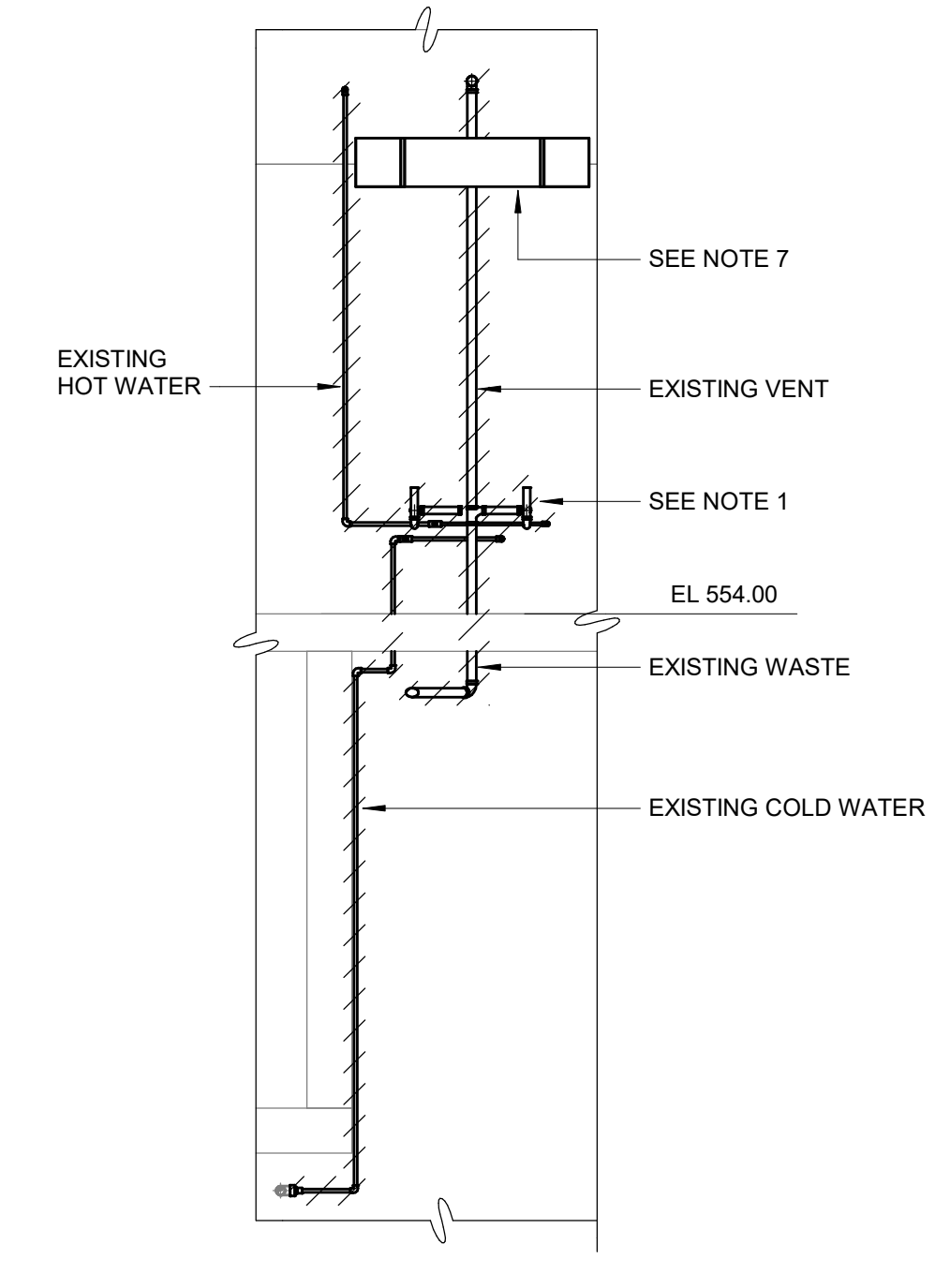
1. CONTRACTOR SHALL REMOVE EXISTING LAVATORIES. CONTRACTOR SHALL REMOVE ALL WASTE, VENT, AND WATER LINES ASSOCIATED WITH FIXTURES, AS SHOWN HATCHED.
2. CONTRACTOR SHALL REMOVE WASTE LINE TO WASTE MAIN. CAP AT MAIN.
3. CONTRACTOR SHALL REMOVE EXISTING URINAL, SHOWER, AND WATER CLOSETS. CONTRACTOR SHALL REMOVE ALL WASTE, VENT, AND WATER LINES ASSOCIATED WITH FIXTURES, AS SHOWN HATCHED.
4. CONTRACTOR SHALL REMOVE HOSE BIBB AND ASSOCIATED WATER LINE.
5. CONTRACTOR SHALL REMOVE WASTE LINE, AS SHOWN HATCHED. VERTICAL STACK SHALL REMAIN FOR REUSE.
6. CONTRACTOR SHALL REMOVE POTABLE WATER LINE TO MAIN, AS SHOWN HATCHED.
7. REFER TO HVAC PLANS FOR DEMOLITION OR DUCTWORK AND HVAC EQUIPMENT.



MEN'S LAVATORIES
1/4" = 1'-0"



MEN'S/WOMEN'S WATER CLOSETS
1/4" = 1'-0"



WOMEN'S RESTROOM LAVATORIES
1/4" = 1'-0"

GMP SUBMITTAL. DO NOT USE FOR CONSTRUCTION.

Autodesk_DocSet/60711-003_Wilson_WTP_Rehab_Filter_Basins/60711-003-3000-FB-3100-FWC-PLUM.rvt 11/18/2024 2:02:20 PM

REV	ISSUED FOR	DATE	BY

PROJECT MANAGER:	T. HUDSON
DESIGNED BY:	J. JOHNSON
DRAWN BY:	J. JOHNSON
PROJECT ENGINEER:	T. MONAHAN
IF THIS BAR DOES NOT MEASURE 1" THEN DRAWING IS NOT TO FULL SCALE	



Hazen
HAZEN AND SAWYER
8150 N. CENTRAL EXPRESSWAY
TOWER II - SUITE 700
DALLAS, TEXAS 75206

CENTRAL ARKANSAS WATER
LITTLE ROCK, ARKANSAS

JACK H. WILSON WTP RENEWAL
AND RESILIENCY PROJECT

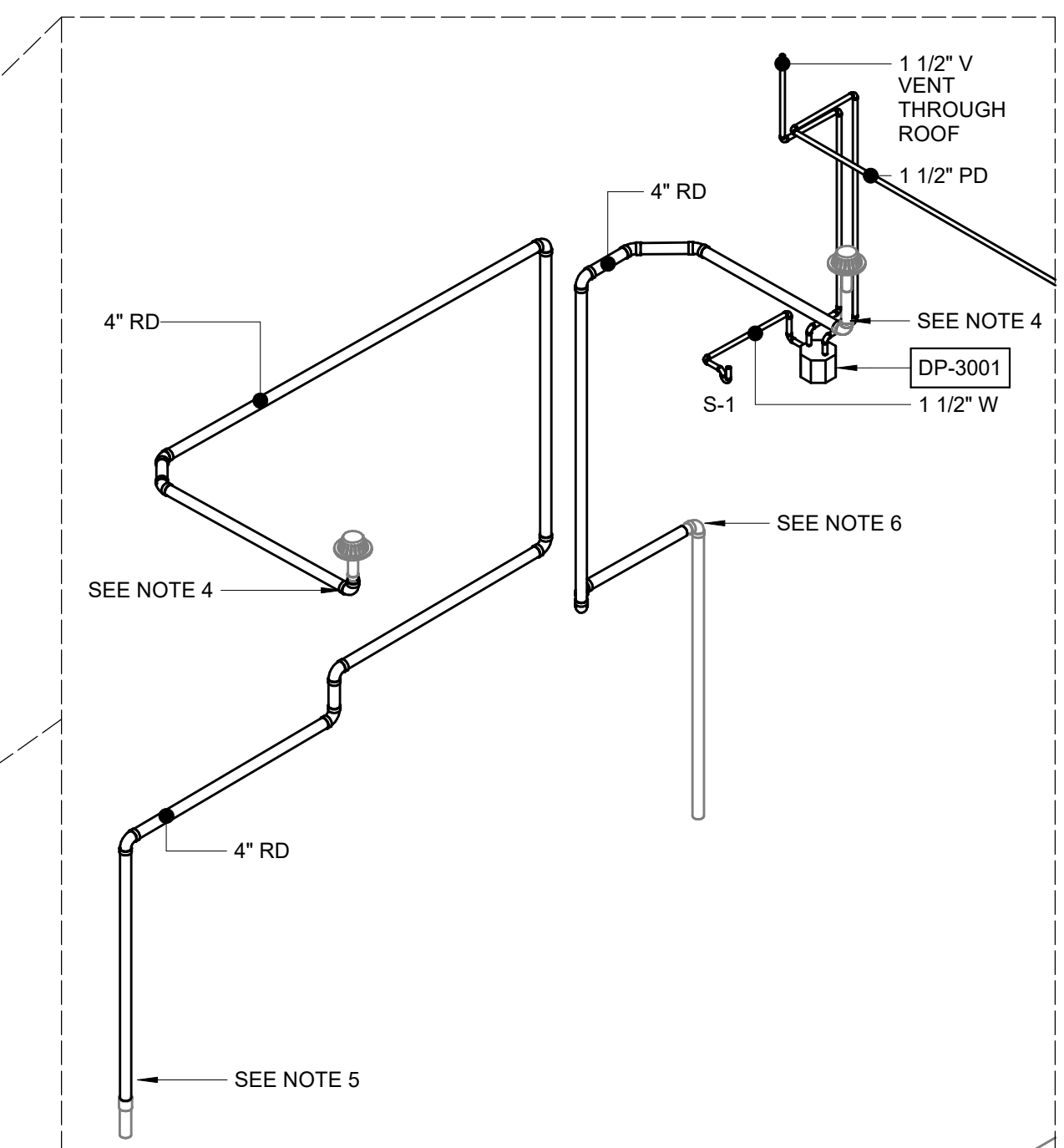
FILTER BUILDING
PLUMBING
DEMOLITION SECTIONS

DATE:	NOVEMBER 2024
HAZEN NO.:	60711-003
CONTRACT NO.:	1
DRAWING NUMBER:	P3006

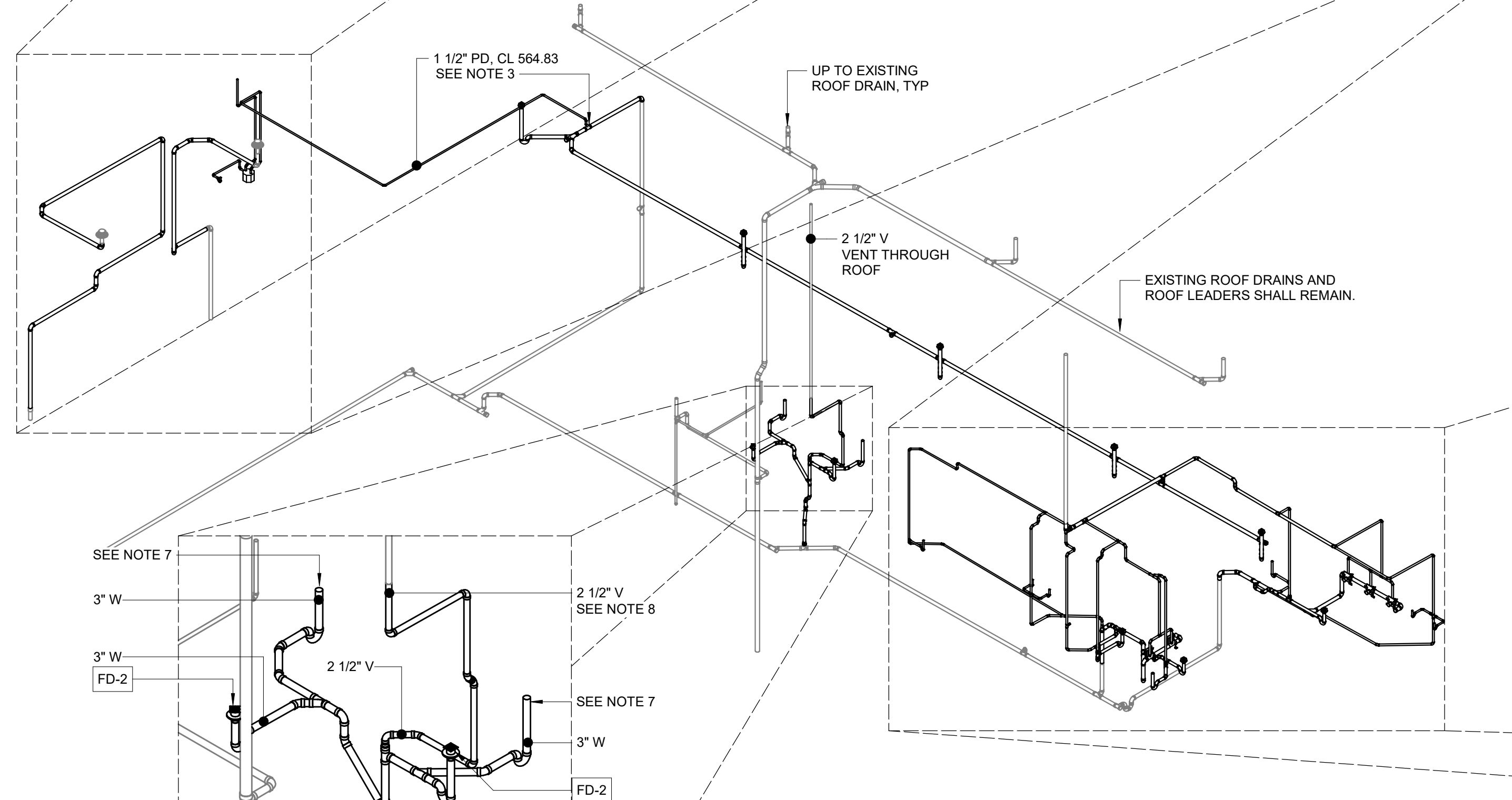
PLANS BASED ON RECORD DRAWINGS.
CONTRACTOR SHALL FIELD VERIFY ALL
PIPE LOCATIONS AND CONNECTIONS.

NOTES:

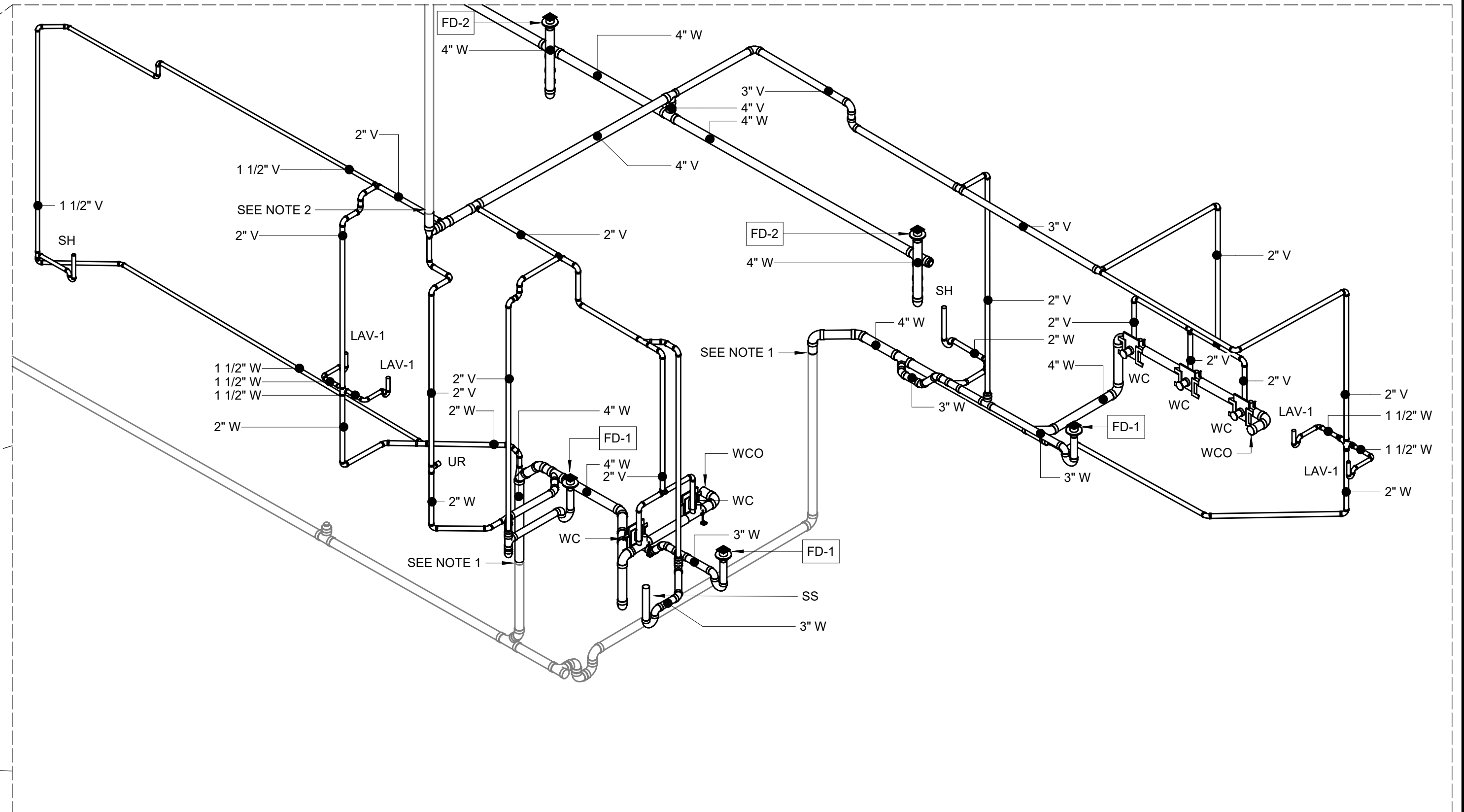
1. CONTRACTOR SHALL TIE NEW 4" WASTE INTO EXISTING 4" WASTE STACK.
2. CONTRACTOR SHALL TIE NEW 4" VENT INTO EXISTING 4" VENT STACK.
3. CONTRACTOR SHALL CONNECT PUMP DISCHARGE TO EXISTING DRAIN LINE WITH WYE FITTING INTO TOP OF DRAIN LINE.
4. CONTRACTOR SHALL CONNECT NEW ROOF DRAIN PIPE TO EXISTING ROOF DRAIN.
5. CONTRACTOR SHALL CONNECT NEW ROOF DRAIN LINE INTO EXISTING DRAIN STACK AT SLAB. USE PVC FOR ALL DRAIN PIPING IN FLUORIDE ROOM.
6. CONTRACTOR SHALL CONNECT NEW ROOF DRAIN LINE INTO EXISTING DRAIN STACK.
7. WASTE PIPE COLLECTS ANALYZER DISCHARGE. SEE PROCESS MECHANICAL DRAWINGS FOR CONTINUATION.
8. CONTRACTOR SHALL TIE NEW 2-1/2" VENT INTO EXISTING 2-1/2" VENT.
9. CONTRACTOR SHALL TIE NEW 3" WASTE LINE INTO EXISTING WASTE STACK.



BUILDING RISER - FLUORIDE AND ZOP FEED - DWV



BUILDING RISER - DWV



BUILDING RISER - MENS/WOMENS RR - DWV

BUILDING RISER - ANALYZER ROOM - DWV

GMP SUBMITTAL. DO NOT USE FOR CONSTRUCTION.

Autodesk_Documents\65711_001_Wilson_WTP_Rehab_Files_Basins\60711-003-3000-FB-310B-FWC-PLUM.dwg
11/19/2024 2:09:22 PM

REV	ISSUED FOR	DATE	BY

PROJECT MANAGER:	T. HUDSON
DESIGNED BY:	J. JOHNSON
DRAWN BY:	J. JOHNSON
PROJECT ENGINEER:	T. MONAHAN
IF THIS BAR DOES NOT MEASURE 1" THEN DRAWING IS NOT TO FULL SCALE	



Hazen
HAZEN AND SAWYER
8150 N. CENTRAL EXPRESSWAY
TOWER II - SUITE 700
DALLAS, TEXAS 75206

CENTRAL ARKANSAS WATER
LITTLE ROCK, ARKANSAS

JACK H. WILSON WTP RENEWAL
AND RESILIENCY PROJECT

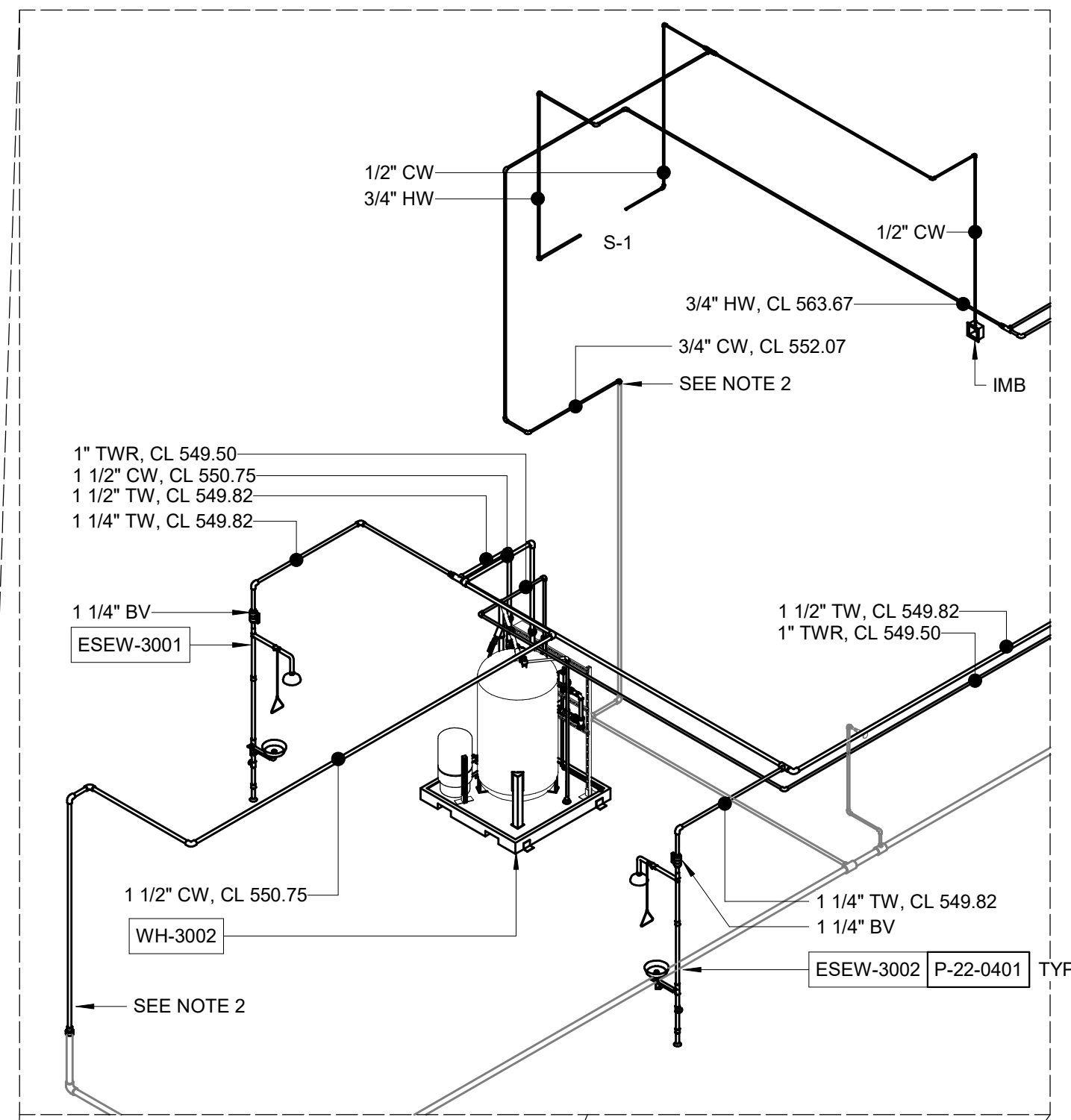
FILTER BUILDING
PLUMBING
BUILDING RISER - DWV

DATE:	NOVEMBER 2024
HAZEN NO.:	60711-003
CONTRACT NO.:	1
DRAWING NUMBER:	P3007

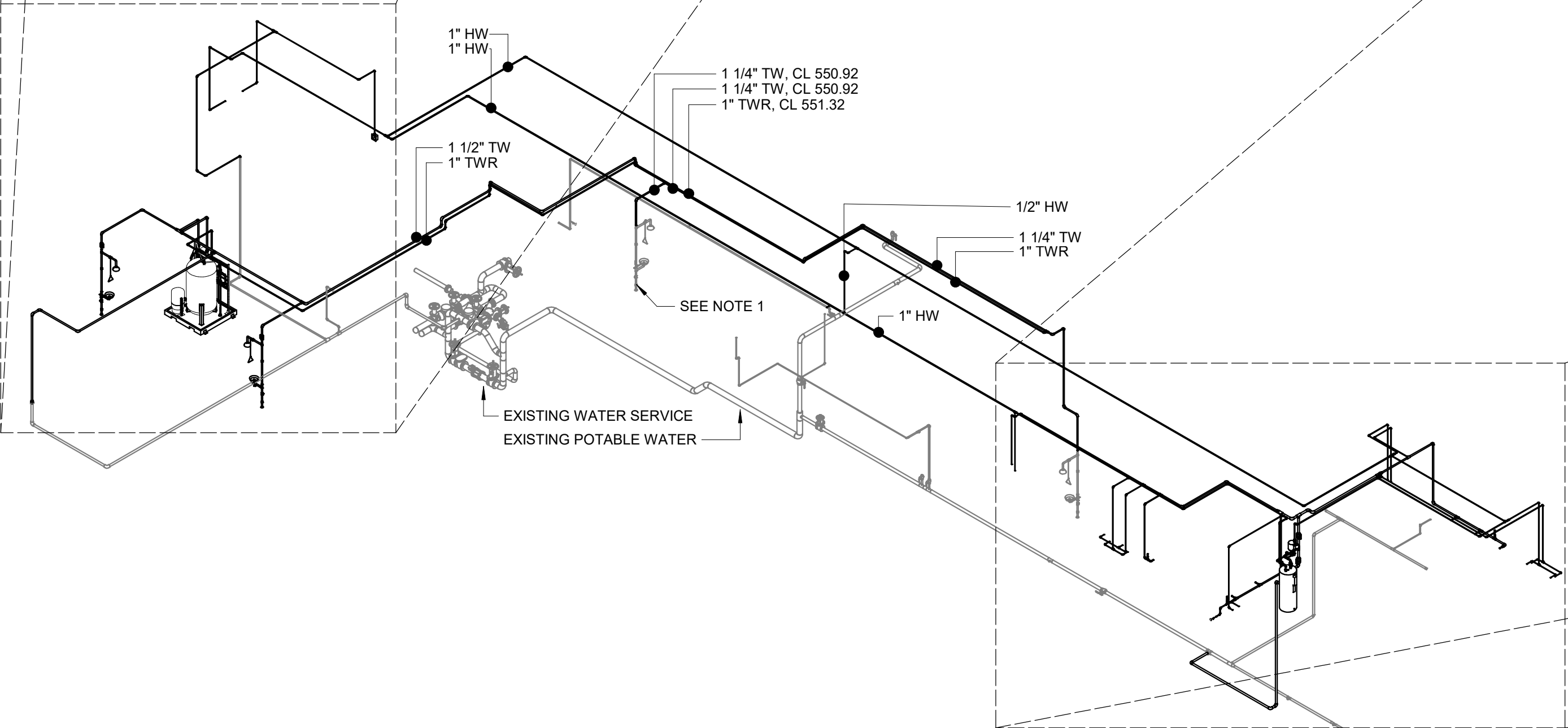
PLANS BASED ON RECORD DRAWINGS.
CONTRACTOR SHALL FIELD VERIFY ALL
PIPE LOCATIONS AND CONNECTIONS.

NOTES:

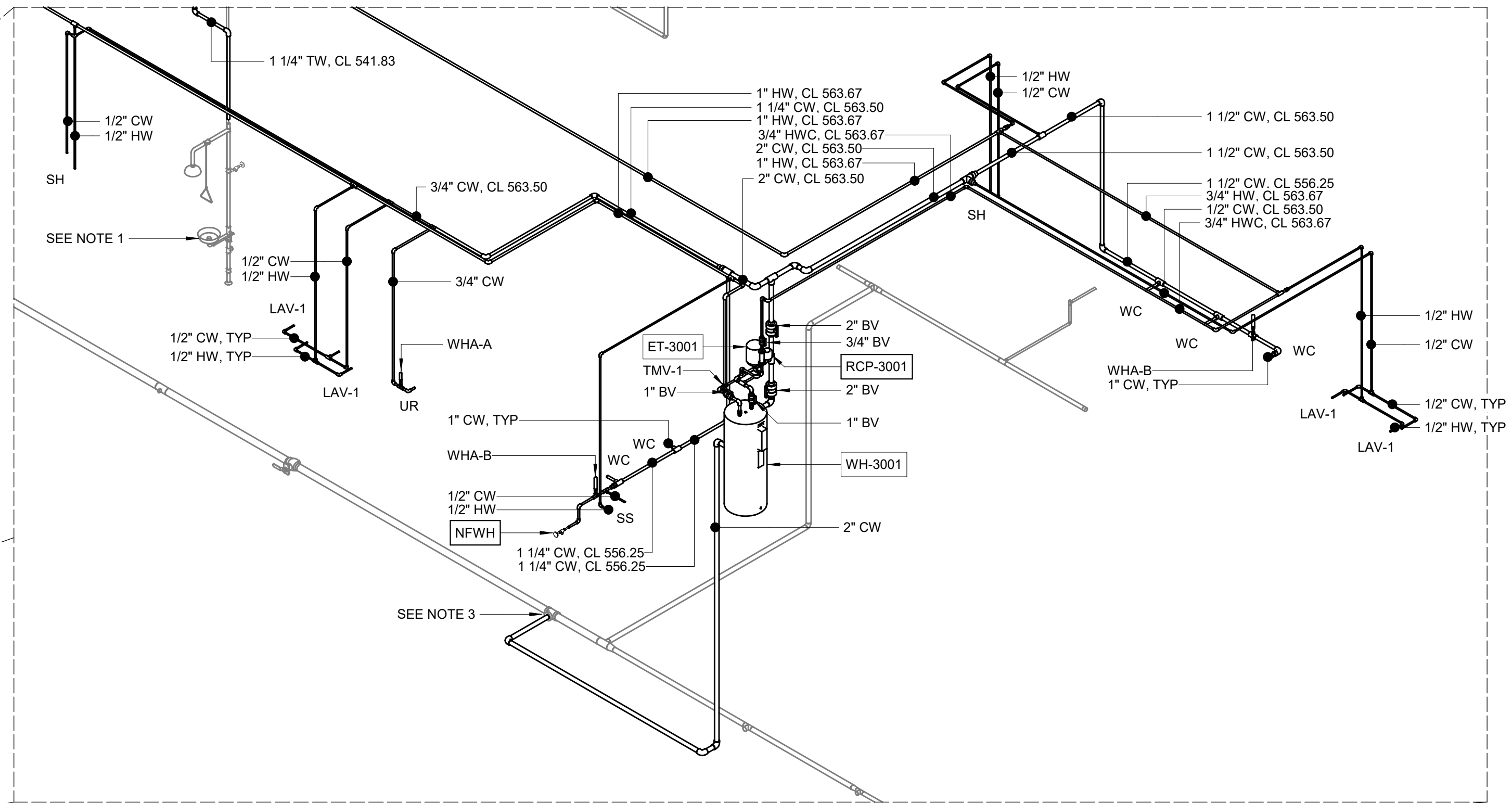
1. CONTRACTOR SHALL RETAIN EXISTING EMERGENCY SHOWER. CONTRACTOR SHALL PROVIDE NEW 1-1/4" TEPID WATER SUPPLY AND NEW EMERGENCY ALARM CONNECTED TO SCADA.
2. CONTRACTOR SHALL CONNECT NEW COLD WATER PIPING TO EXISTING WATER PIPING AT SLAB. CPVC/PVC SHALL BE USED FOR ALL WATER PIPING IN FLUORIDE AND ZOP FEED ROOMS.
3. CONTRACTOR SHALL CONNECT NEW COLD WATER PIPING TO EXISTING POTABLE LINE.



BUILDING RISER - FLUORIDE AND ZOP FEED - WATER



BUILDING RISER - WATER



BUILDING RISER - MENS/WOMENS RR - WATER

Autodesk_DocSet(60711-001_Wilson_WTP_Rehab_Flnt_Basr60711-003-3000-FB-3106-FWC-PLUM.dwg 11/18/2024 2:09:24 PM

GMP SUBMITTAL. DO NOT USE FOR CONSTRUCTION.

REV	ISSUED FOR	DATE	BY

PROJECT MANAGER:	T. HUDSON
DESIGNED BY:	J. JOHNSON
DRAWN BY:	J. JOHNSON
PROJECT ENGINEER:	T. MONAHAN
IF THIS BAR DOES NOT MEASURE 1" THEN DRAWING IS NOT TO FULL SCALE	0 1/2" 1"



Hazen
HAZEN AND SAWYER
8150 N. CENTRAL EXPRESSWAY
TOWER II - SUITE 700
DALLAS, TEXAS 75206

CENTRAL ARKANSAS WATER
LITTLE ROCK, ARKANSAS

JACK H. WILSON WTP RENEWAL
AND RESILIENCY PROJECT

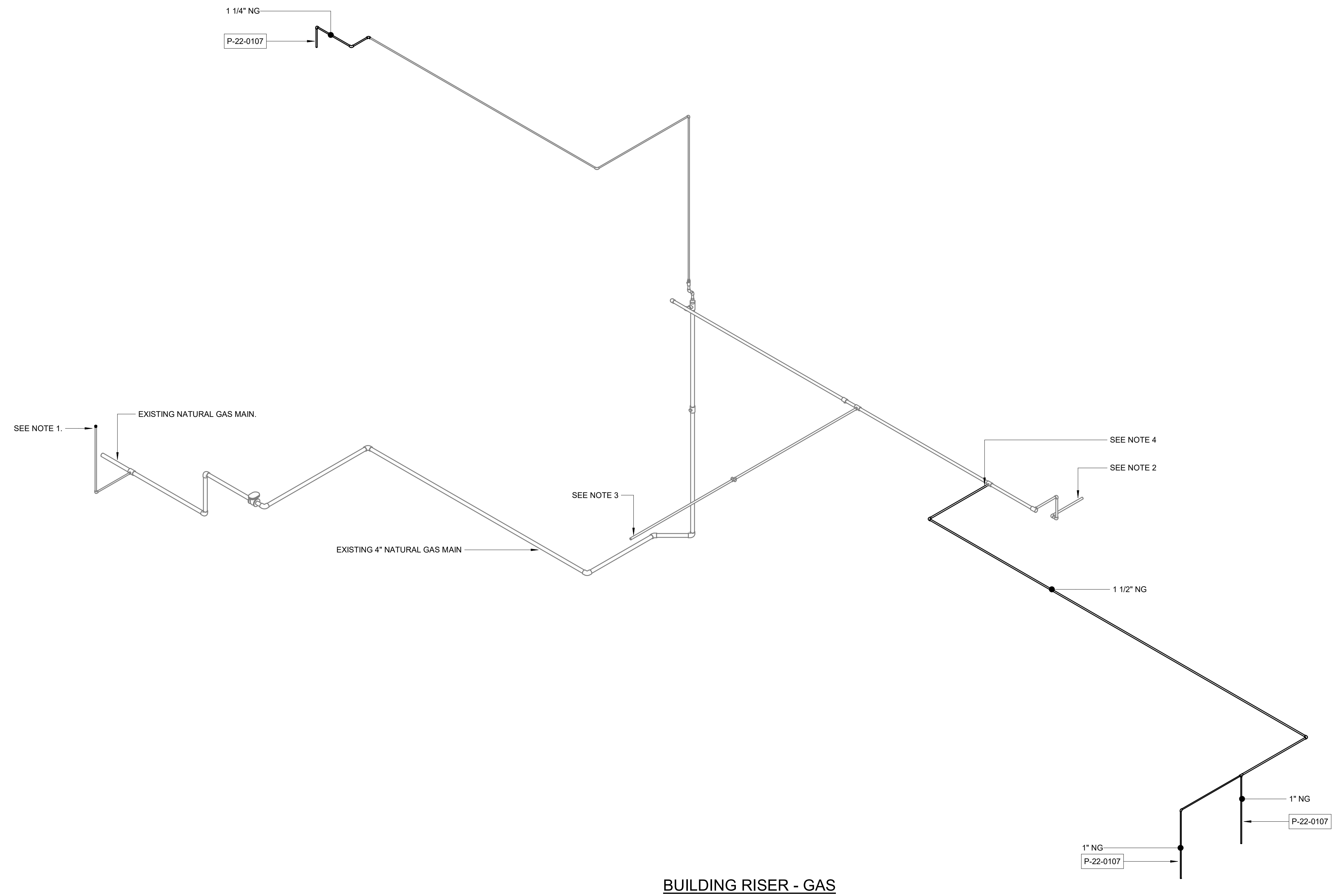
FILTER BUILDING
PLUMBING
BUILDING RISER - WATER

DATE:	NOVEMBER 2024
HAZEN NO.:	60711-003
CONTRACT NO.:	1
DRAWING NUMBER:	P3008

PLANS BASED ON RECORD DRAWINGS.
CONTRACTOR SHALL FIELD VERIFY ALL
PIPE LOCATIONS AND CONNECTIONS.

NOTES:

1. CAP EXISTING NATURAL GAS LINE AT SLAB.
2. EXISTING GAS PIPING CONTINUES TO EAST FILTER GALLERY. ALL GAS PIPING AND EQUIPMENT IN THIS AREA SHALL BE RETAINED.
3. EXISTING GAS PIPING CONTINUES TO WEST FILTER GALLERY. CONTRACTOR SHALL DISCONNECT EXISTING GAS HEATERS FROM GAS PIPING SYSTEM. SEE H3002 FOR EQUIPMENT TO BE REMOVED.
4. TIE NEW NATURAL GAS LINE INTO EXISTING GAS LINE.



BUILDING RISER - GAS

GMP SUBMITTAL. DO NOT USE FOR CONSTRUCTION.

Autodesk Docs:60711-003-Wilson_WTP_Rehab_Filter_Building_P-22-0107-PLUM-04
 11/19/2024 2:09:24 PM

REV	ISSUED FOR	DATE	BY

PROJECT MANAGER:	T. HUDSON
DESIGNED BY:	J. JOHNSON
DRAWN BY:	J. JOHNSON
PROJECT ENGINEER:	T. MONAHAN
IF THIS BAR DOES NOT MEASURE 1" THEN DRAWING IS NOT TO FULL SCALE	



Hazen

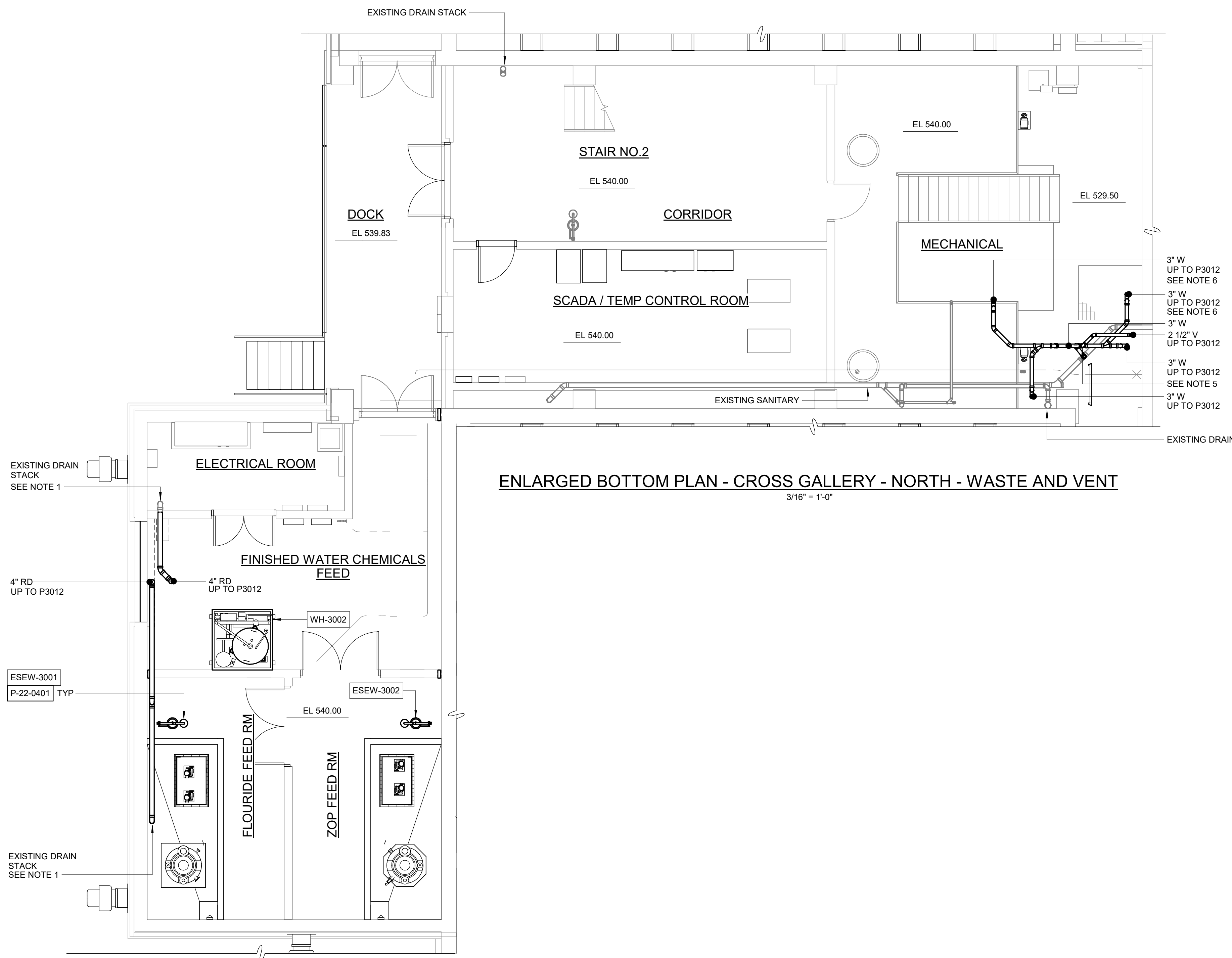
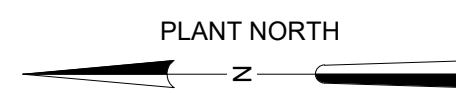
HAZEN AND SAWYER
8150 N. CENTRAL EXPRESSWAY
TOWER II - SUITE 700
DALLAS, TEXAS 75206

CENTRAL ARKANSAS WATER
LITTLE ROCK, ARKANSAS

JACK H. WILSON WTP RENEWAL
AND RESILIENCY PROJECT

FILTER BUILDING
PLUMBING
BUILDING RISER - GAS

DATE:	NOVEMBER 2024
HAZEN NO.:	60711-003
CONTRACT NO.:	1
DRAWING NUMBER:	P3009

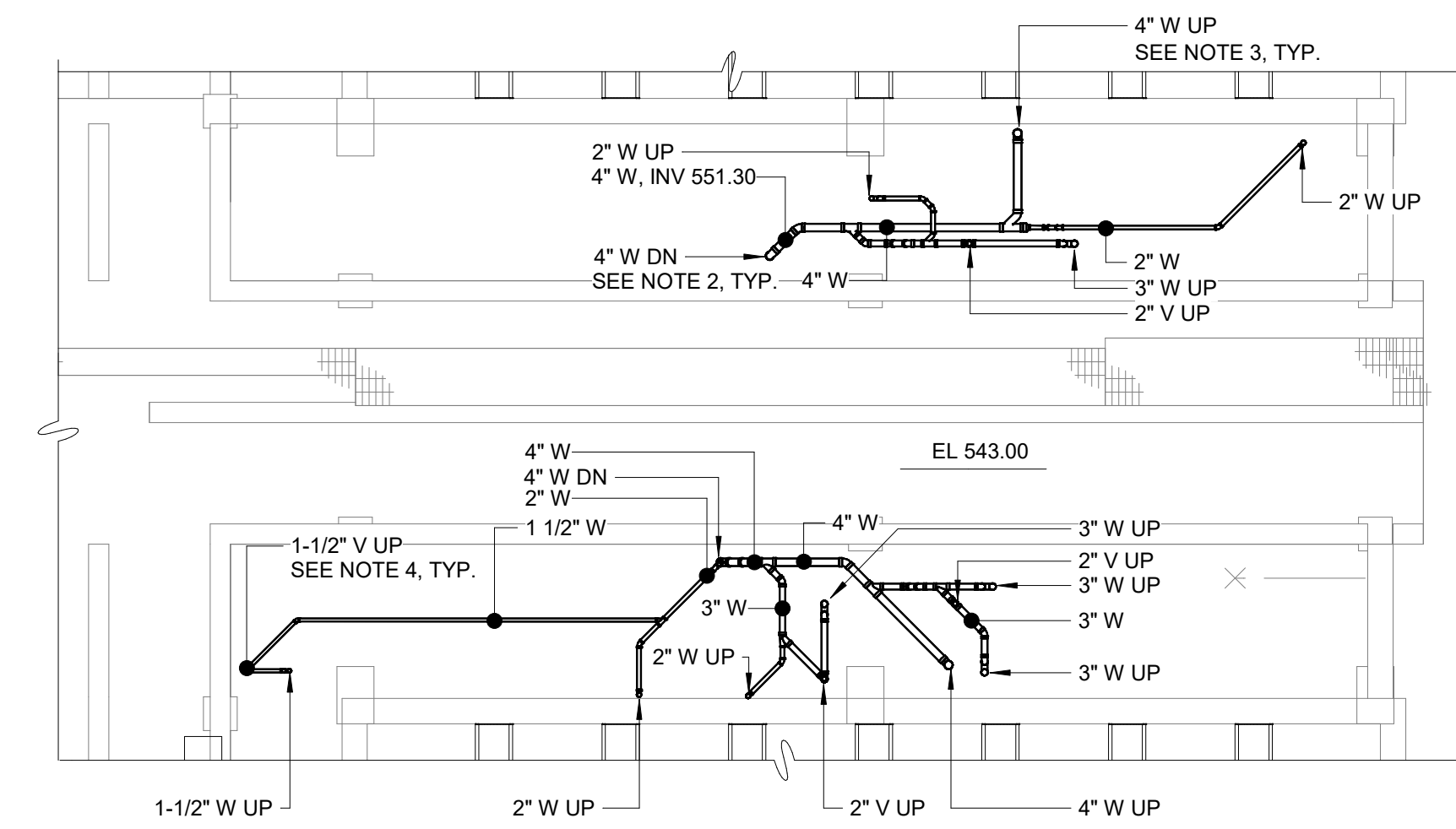
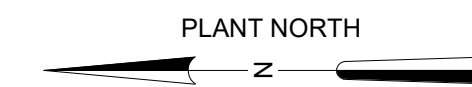


ENLARGED BOTTOM PLAN - CROSS GALLERY - NORTH - WASTE AND VENT

3/16" = 1'-0"

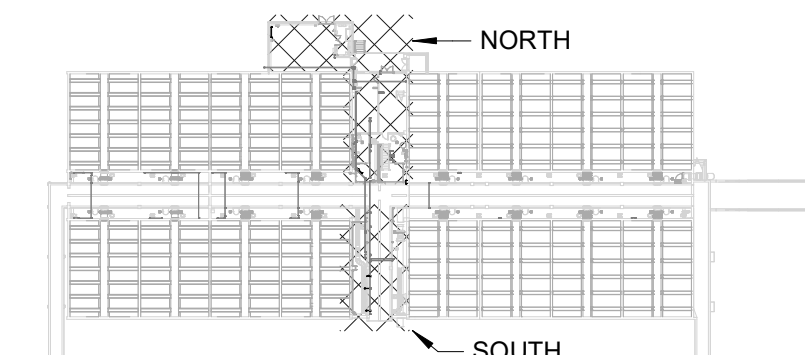
NOTES:

1. CONTRACTOR SHALL CONNECT NEW ROOF DRAIN PIPING TO EXISTING DRAIN PIPE. ALL DRAIN PIPING IN FLUORIDE ROOM SHALL BE PVC.
2. 4" WASTE DN TO EXISTING 4" SANITARY STACK. CONTRACTOR SHALL VERIFY LOCATION OF EXISTING SANITARY STACK. REFER TO P3003 FOR CONTINUATION.
3. WASTE UP TO PLUMBING FIXTURE. REFER TO P3012 FOR CONTINUATION.
4. VENT UP. REFER TO P3012 FOR CONTINUATION.
5. CONTRACTOR SHALL TIE NEW 3" WASTE LINE INTO EXISTING WASTE STACK. SEE P3007 FOR MORE INFORMATION.
6. 3" WASTE UP TO ANALYZER ROOM. SEE PROCESS MECHANICAL DRAWINGS FOR CONTINUATION.



ENLARGED BOTTOM PLAN - CROSS GALLERY - SOUTH - WASTE AND VENT

1/8" = 1'-0"



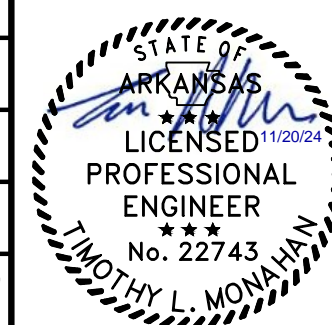
KEYPLAN
1" = 100'-0"

GMP SUBMITTAL. DO NOT USE FOR CONSTRUCTION.

Autodesk_Docs\60711-001_Wilson_WTP_Rehab_File_Base\60711-003-3000-FB-3100-FWC-PLUM.rvt 11/19/2024 2:09:25 PM

REV	ISSUED FOR	DATE	BY

PROJECT MANAGER:	T. HUDSON
DESIGNED BY:	J. JOHNSON
DRAWN BY:	J. JOHNSON
PROJECT ENGINEER:	T. MONAHAN
IF THIS BAR DOES NOT MEASURE 1" THEN DRAWING IS NOT TO FULL SCALE	



Hazen

HAZEN AND SAWYER
8150 N. CENTRAL EXPRESSWAY
TOWER II - SUITE 700
DALLAS, TEXAS 75206

CENTRAL ARKANSAS WATER
LITTLE ROCK, ARKANSAS

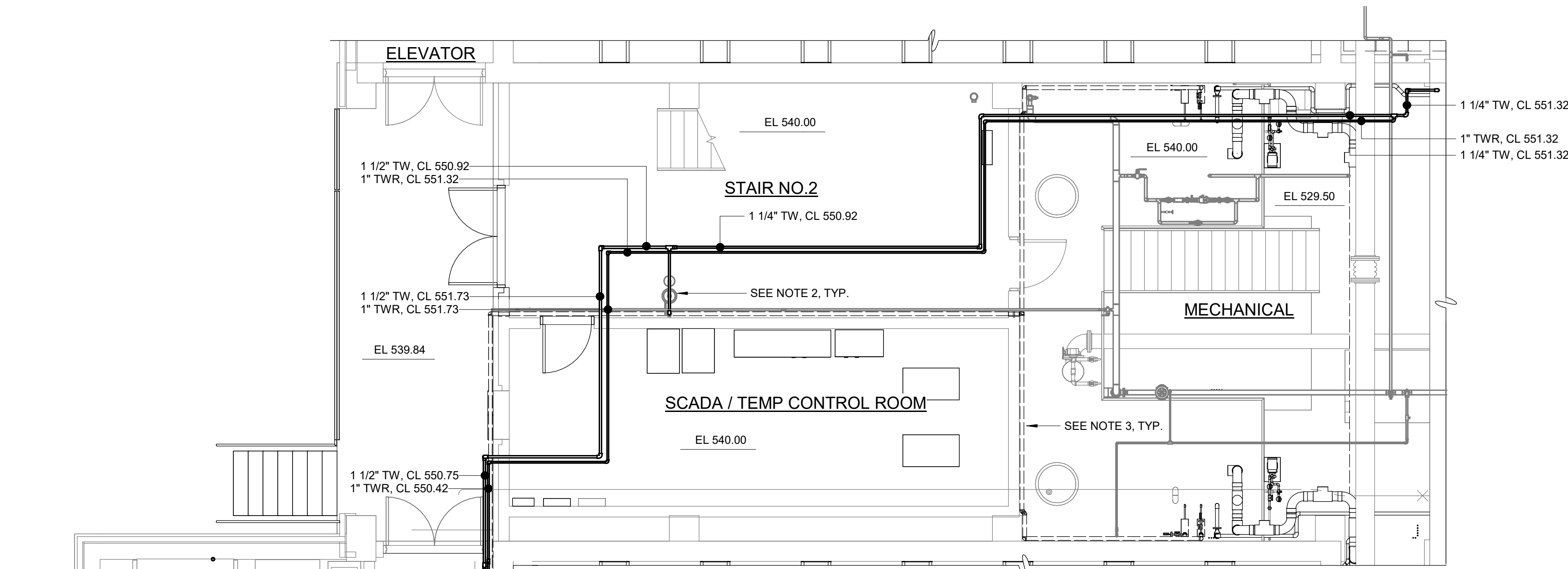
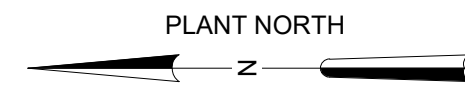
JACK H. WILSON WTP RENEWAL
AND RESILIENCY PROJECT

FILTER BUILDING
PLUMBING
ENLARGED BOTTOM PLAN - CROSS GALLERY -
WASTE AND VENT

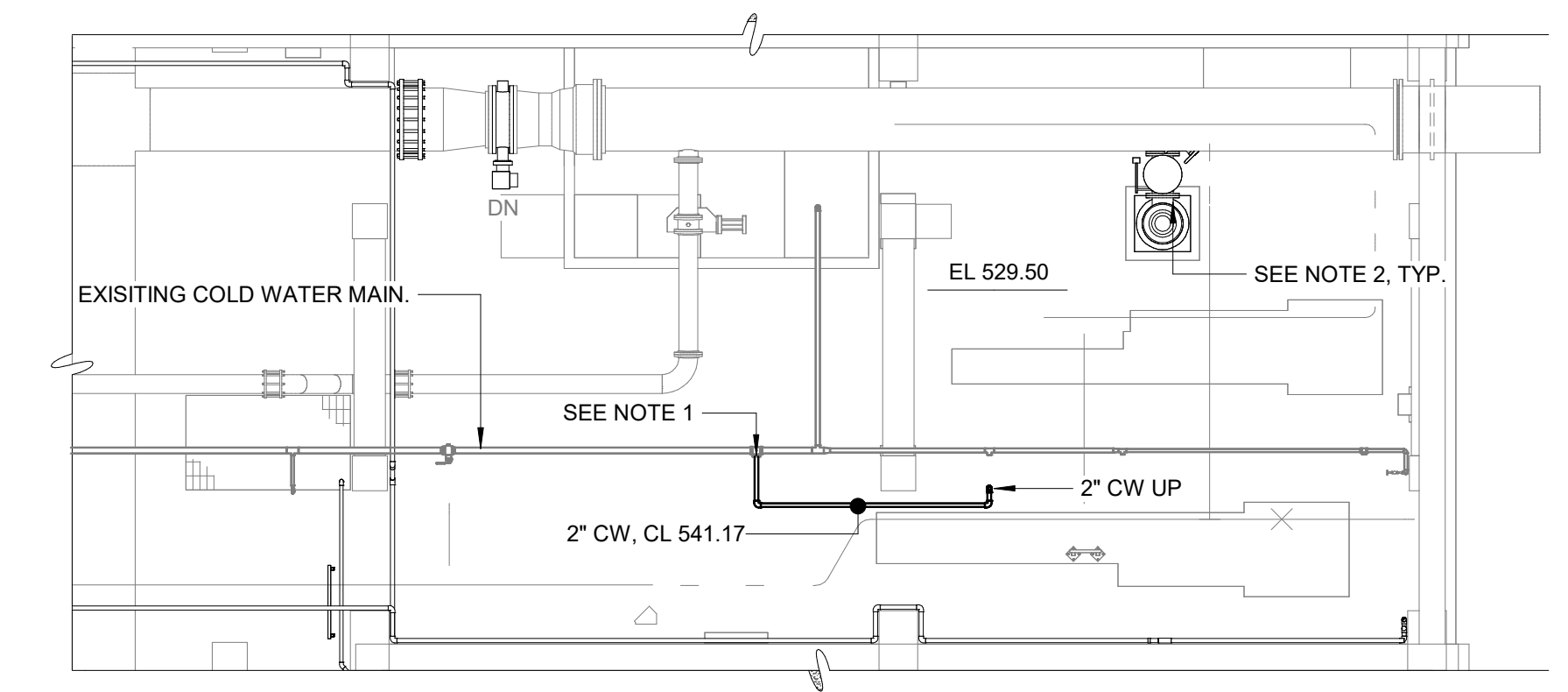
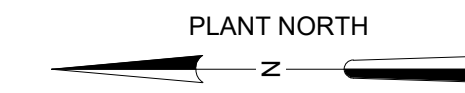
DATE:	NOVEMBER 2024
HAZEN NO.:	60711-003
CONTRACT NO.:	1
DRAWING NUMBER:	P3010

NOTES:

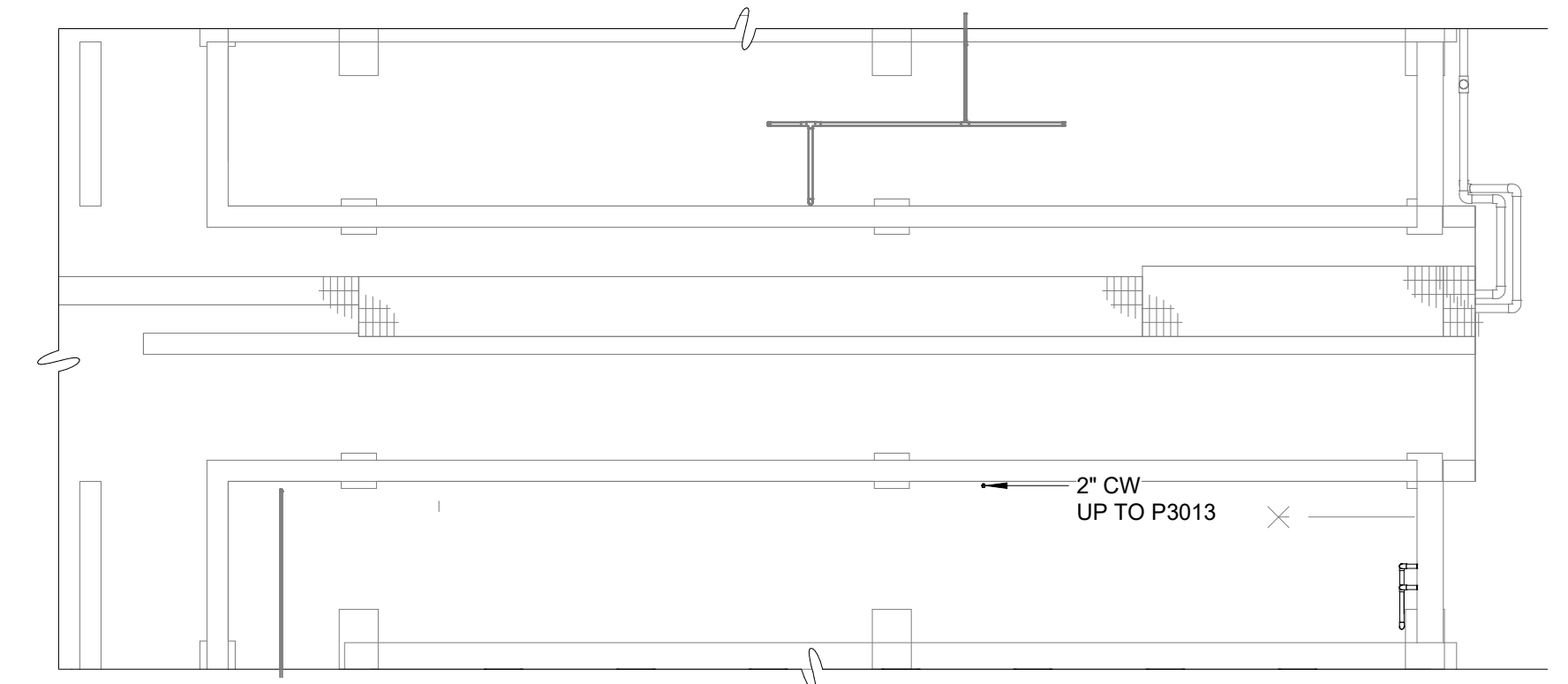
1. CONTRACTOR SHALL CONNECT NEW COLD WATER PIPING TO EXISTING POTABLE LINE.
2. PROVIDE EMERGENCY ALARM SYSTEM CONNECTED TO SCADA FOR EXISTING EMERGENCY SHOWERS.
3. REFER TO PROCESS MECHANICAL DRAWINGS.
4. REFER TO ARCHITECTURAL DRAWINGS.
5. CONTRACTOR SHALL CONNECT NEW COLD WATER PIPING TO EXISTING POTABLE LINE. CPVC/PVC SHALL BE USED FOR ALL WATER PIPING IN FLUORIDE AND ZOP FEED ROOMS.



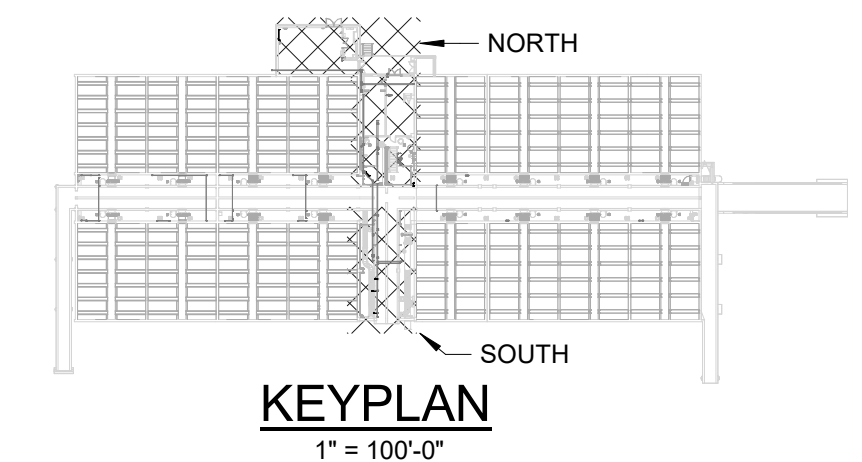
ENLARGED BOTTOM PLAN - CROSS GALLERY - NORTH - SUPPLY
3/16" = 1'-0"



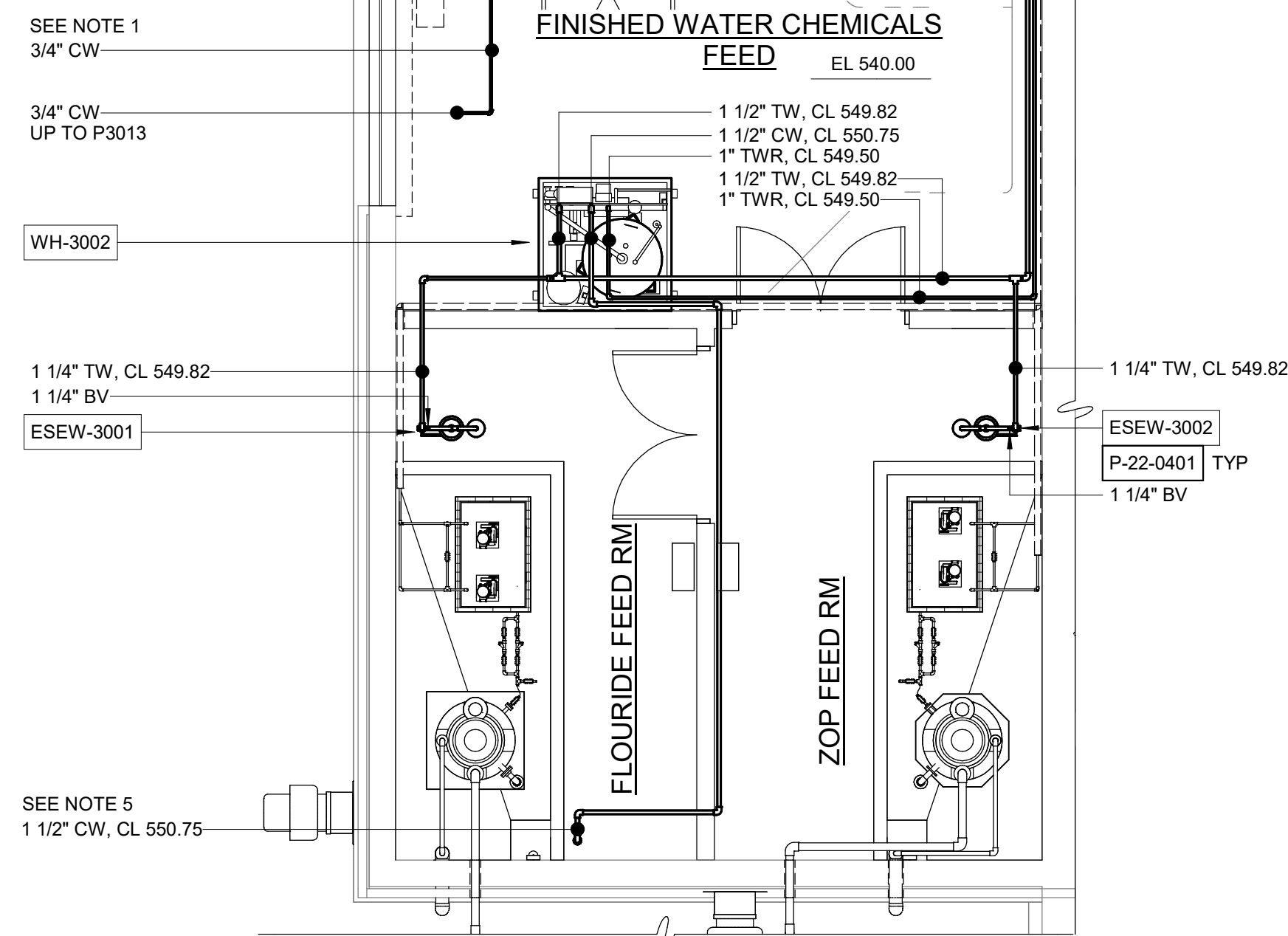
ENLARGED BOTTOM PLAN - CROSS GALLERY - SOUTH - SUPPLY
1/8" = 1'-0"



ENLARGED BOTTOM PLAN - CROSS GALLERY - SOUTH - SUPPLY
1/8" = 1'-0"



GMP SUBMITTAL. DO NOT USE FOR CONSTRUCTION.



ENLARGED BOTTOM PLAN - CROSS GALLERY - SOUTH - SUPPLY
3/16" = 1'-0"

Autodesk_Docs\60711-001_Wilson_WTP_Rehab_File_Base\60711-003-3000-FB-310B-FWC-PLUM.rvt 11/20/24 2:09:34 PM

REV	ISSUED FOR	DATE	BY

PROJECT MANAGER:	T. HUDSON
DESIGNED BY:	J. JOHNSON
DRAWN BY:	J. JOHNSON
PROJECT ENGINEER:	T. MONAHAN
IF THIS BAR DOES NOT MEASURE 1" THEN DRAWING IS NOT TO FULL SCALE	



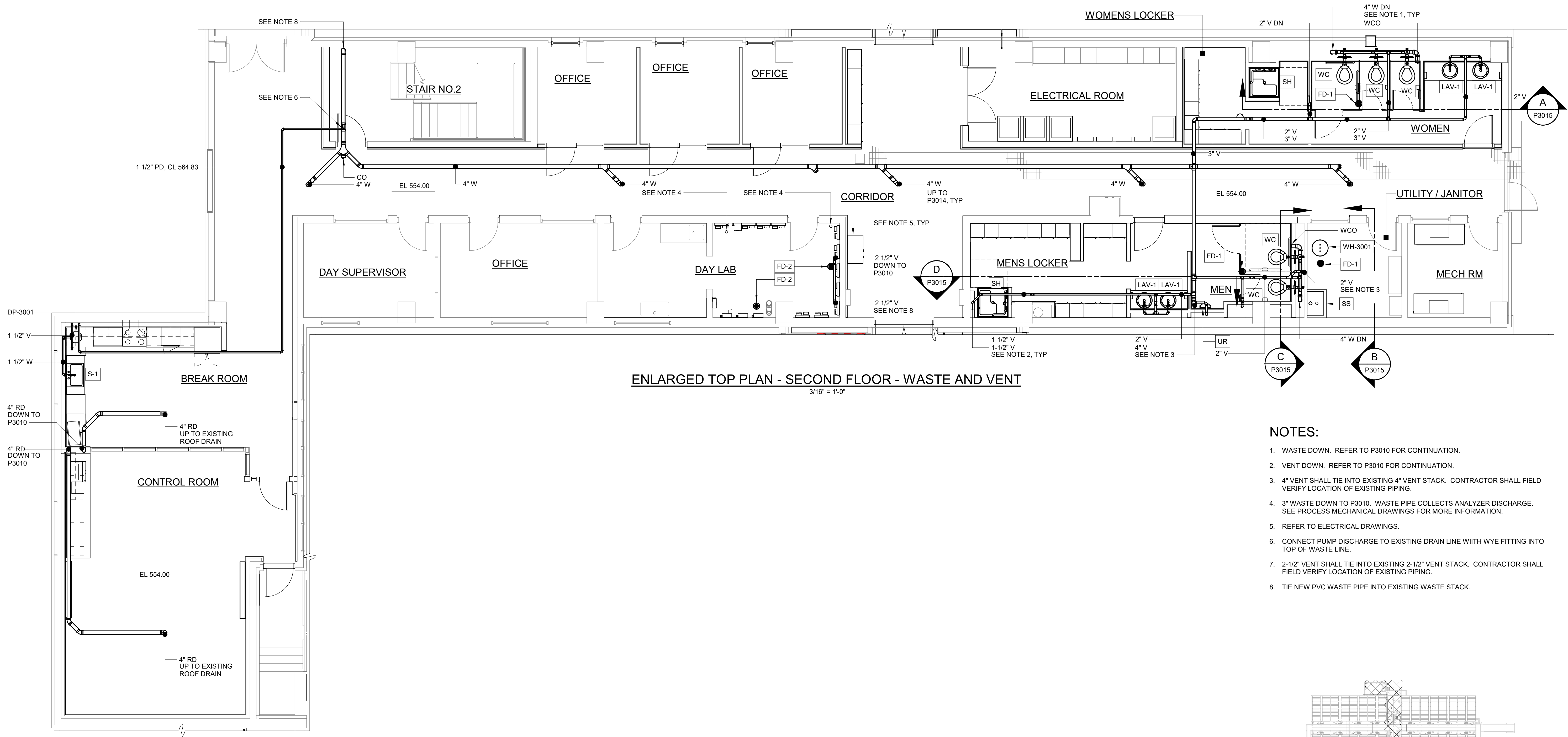
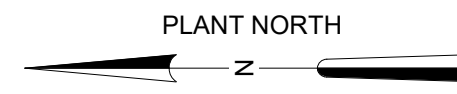
Hazen
HAZEN AND SAWYER
8150 N. CENTRAL EXPRESSWAY
TOWER II - SUITE 700
DALLAS, TEXAS 75206

CENTRAL ARKANSAS WATER
LITTLE ROCK, ARKANSAS

JACK H. WILSON WTP RENEWAL
AND RESILIENCY PROJECT

FILTER BUILDING
PLUMBING
ENLARGED BOTTOM PLAN - CROSS GALLERY -
SUPPLY

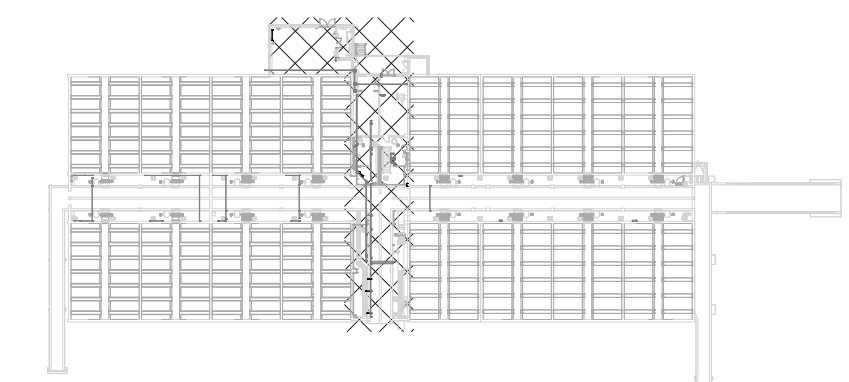
DATE:	NOVEMBER 2024
HAZEN NO.:	60711-003
CONTRACT NO.:	1
DRAWING NUMBER:	P3011



ENLARGED TOP PLAN - SECOND FLOOR - WASTE AND VENT
3/16" = 1'-0"

NOTES:

1. WASTE DOWN. REFER TO P3010 FOR CONTINUATION.
2. VENT DOWN. REFER TO P3010 FOR CONTINUATION.
3. 4" VENT SHALL TIE INTO EXISTING 4" VENT STACK. CONTRACTOR SHALL FIELD VERIFY LOCATION OF EXISTING PIPING.
4. 3" WASTE DOWN TO P3010. WASTE PIPE COLLECTS ANALYZER DISCHARGE. SEE PROCESS MECHANICAL DRAWINGS FOR MORE INFORMATION.
5. REFER TO ELECTRICAL DRAWINGS.
6. CONNECT PUMP DISCHARGE TO EXISTING DRAIN LINE WITH WYE FITTING INTO TOP OF WASTE LINE.
7. 2-1/2" VENT SHALL TIE INTO EXISTING 2-1/2" VENT STACK. CONTRACTOR SHALL FIELD VERIFY LOCATION OF EXISTING PIPING.
8. TIE NEW PVC WASTE PIPE INTO EXISTING WASTE STACK.



KEYPLAN
1" = 100'-0"

GMP SUBMITTAL. DO NOT USE FOR CONSTRUCTION.

Autodesk_Docs\60711-003_Wilson_WTP_Rehab_Plan_P3012-PLUMB.dwg 11/20/2024 2:09:45 PM

REV	ISSUED FOR	DATE	BY

PROJECT MANAGER:	T. HUDSON
DESIGNED BY:	J. JOHNSON
DRAWN BY:	J. JOHNSON
PROJECT ENGINEER:	T. MONAHAN
IF THIS BAR DOES NOT MEASURE 1" THEN DRAWING IS NOT TO FULL SCALE	



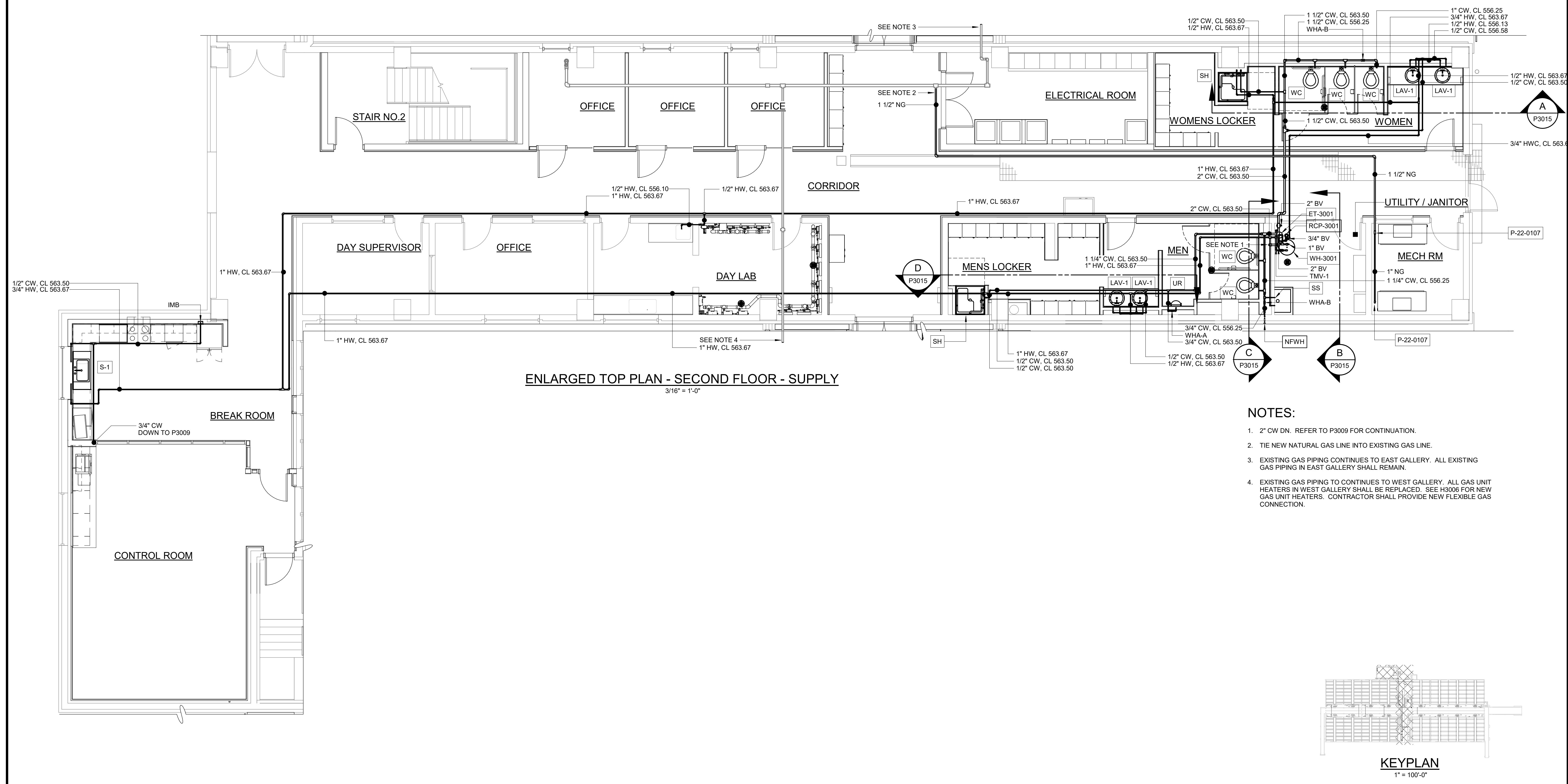
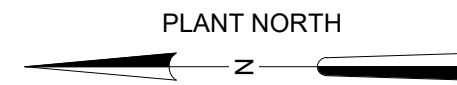
Hazen
HAZEN AND SAWYER
8150 N. CENTRAL EXPRESSWAY
TOWER II - SUITE 700
DALLAS, TEXAS 75206

CENTRAL ARKANSAS WATER
LITTLE ROCK, ARKANSAS

JACK H. WILSON WTP RENEWAL
AND RESILIENCY PROJECT

FILTER BUILDING
PLUMBING
ENLARGED TOP PLAN - SECOND FLOOR - WASTE
AND VENT

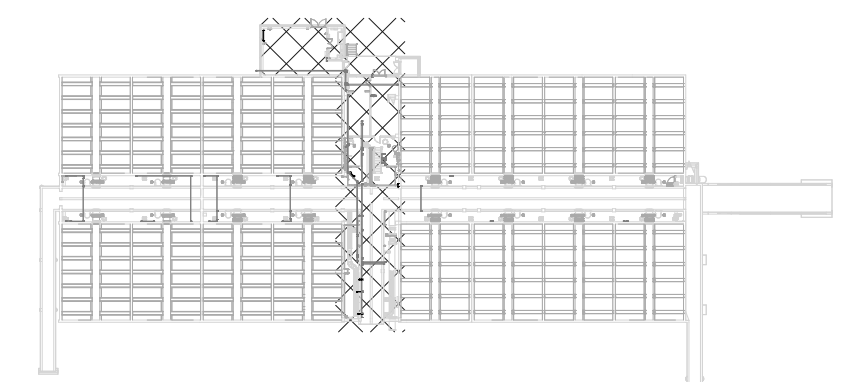
DATE:	NOVEMBER 2024
HAZEN NO.:	60711-003
CONTRACT NO.:	1
DRAWING NUMBER:	P3012



ENLARGED TOP PLAN - SECOND FLOOR - SUPPLY
3/16" = 1'-0"

NOTES:

- 2" CW DN. REFER TO P3009 FOR CONTINUATION.
- TIE NEW NATURAL GAS LINE INTO EXISTING GAS LINE.
- EXISTING GAS PIPING CONTINUES TO EAST GALLERY. ALL EXISTING GAS PIPING IN EAST GALLERY SHALL REMAIN.
- EXISTING GAS PIPING TO CONTINUES TO WEST GALLERY. ALL GAS UNIT HEATERS IN WEST GALLERY SHALL BE REPLACED. SEE H3006 FOR NEW GAS UNIT HEATERS. CONTRACTOR SHALL PROVIDE NEW FLEXIBLE GAS CONNECTION.



KEYPLAN
1" = 100'-0"

GMP SUBMITTAL. DO NOT USE FOR CONSTRUCTION.

Autodesk_Docs\60711_001_Wilson_WTP_Rehab_File_Base\60711-003-3000-FB-3100-FWC-PLUM.rvt 11/20/2024 2:09:44 PM

REV	ISSUED FOR	DATE	BY

PROJECT MANAGER:	T. HUDSON
DESIGNED BY:	J. JOHNSON
DRAWN BY:	J. JOHNSON
PROJECT ENGINEER:	T. MONAHAN
IF THIS BAR DOES NOT MEASURE 1" THEN DRAWING IS NOT TO FULL SCALE	



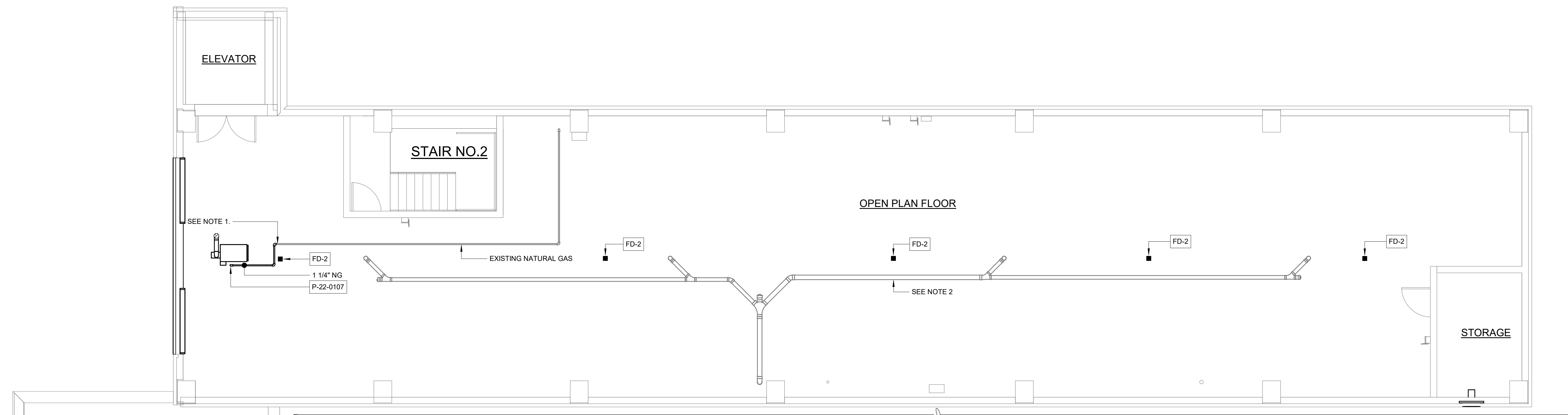
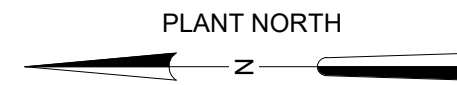
Hazen
HAZEN AND SAWYER
8150 N. CENTRAL EXPRESSWAY
TOWER II - SUITE 700
DALLAS, TEXAS 75206

CENTRAL ARKANSAS WATER
LITTLE ROCK, ARKANSAS

JACK H. WILSON WTP RENEWAL
AND RESILIENCY PROJECT

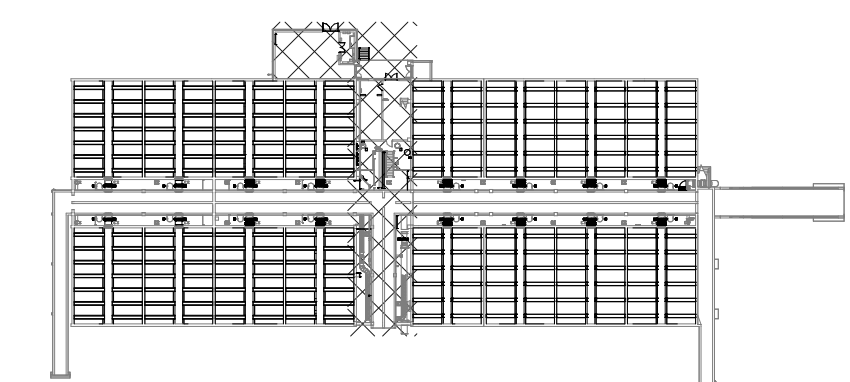
FILTER BUILDING
PLUMBING
ENLARGED TOP PLAN - SECOND FLOOR - SUPPLY

DATE:	NOVEMBER 2024
HAZEN NO.:	60711-003
CONTRACT NO.:	1
DRAWING NUMBER:	P3013



THIRD FLOOR PLAN - CROSS GALLERY
3/16" = 1'-0"

- NOTES:**
- CONNECT NEW GAS PIPING TO EXISTING GAS PIPING.
 - EXISTING RAIN LEADER TO REMAIN.



KEYPLAN
1" = 100'-0"

GMP SUBMITTAL. DO NOT USE FOR CONSTRUCTION.

Autodesk_DocSet/60711-003_Wilson_WTP_Rehab_Plan_Pipe/60711-003-3000-FB-3100-FWC-PLUM.rvt 11/18/2024 2:09:45 PM

REV	ISSUED FOR	DATE	BY

PROJECT MANAGER:	T. HUDSON
DESIGNED BY:	J. JOHNSON
DRAWN BY:	J. JOHNSON
PROJECT ENGINEER:	T. MONAHAN
IF THIS BAR DOES NOT MEASURE 1" THEN DRAWING IS NOT TO FULL SCALE	0 1/2" 1"



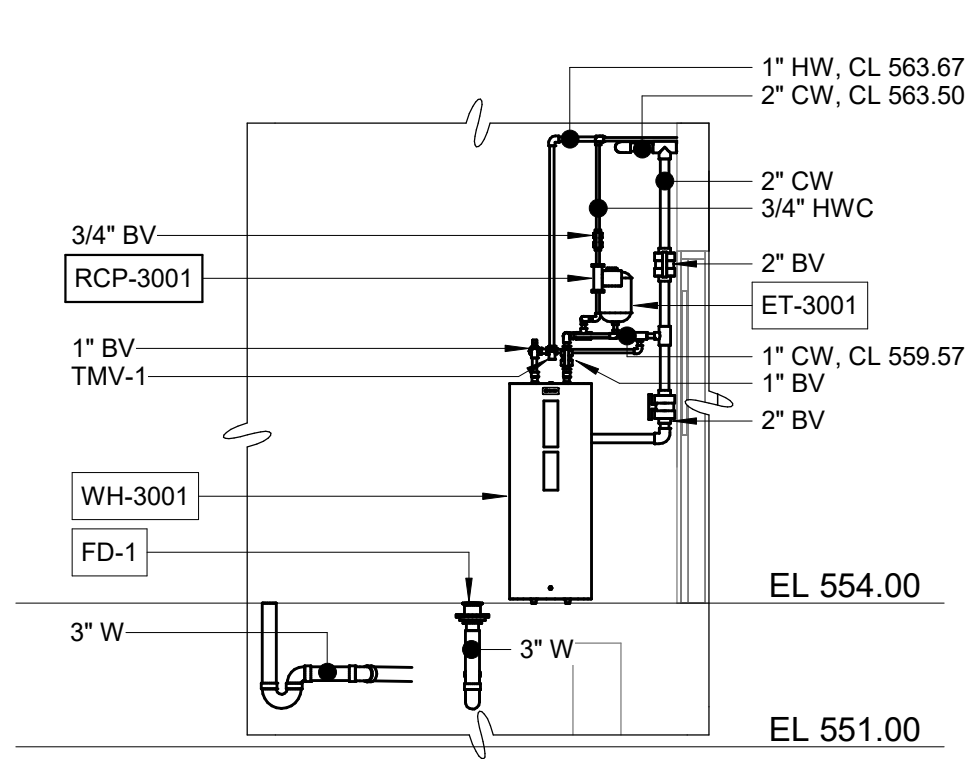
Hazen
HAZEN AND SAWYER
8150 N. CENTRAL EXPRESSWAY
TOWER II - SUITE 700
DALLAS, TEXAS 75206

CENTRAL ARKANSAS WATER
LITTLE ROCK, ARKANSAS

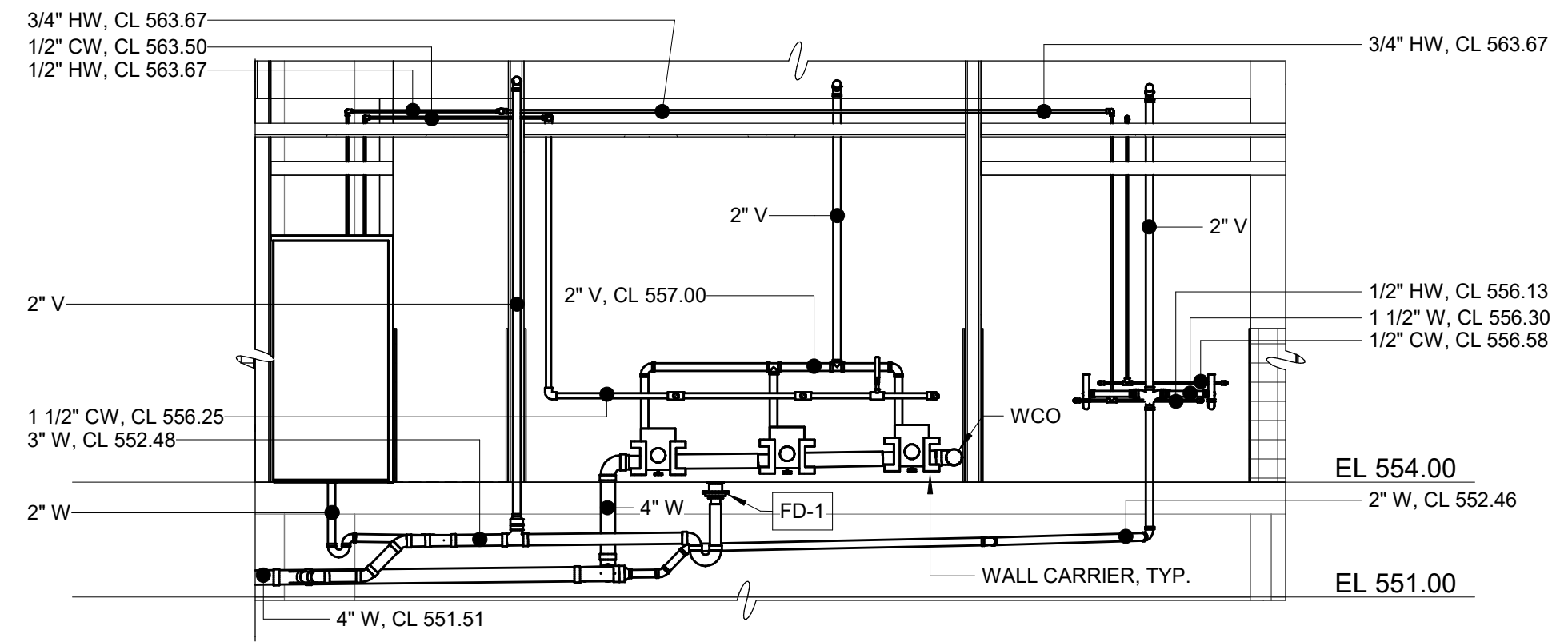
JACK H. WILSON WTP RENEWAL
AND RESILIENCY PROJECT

FILTER BUILDING
PLUMBING
ENLARGED TOP PLAN - THIRD FLOOR

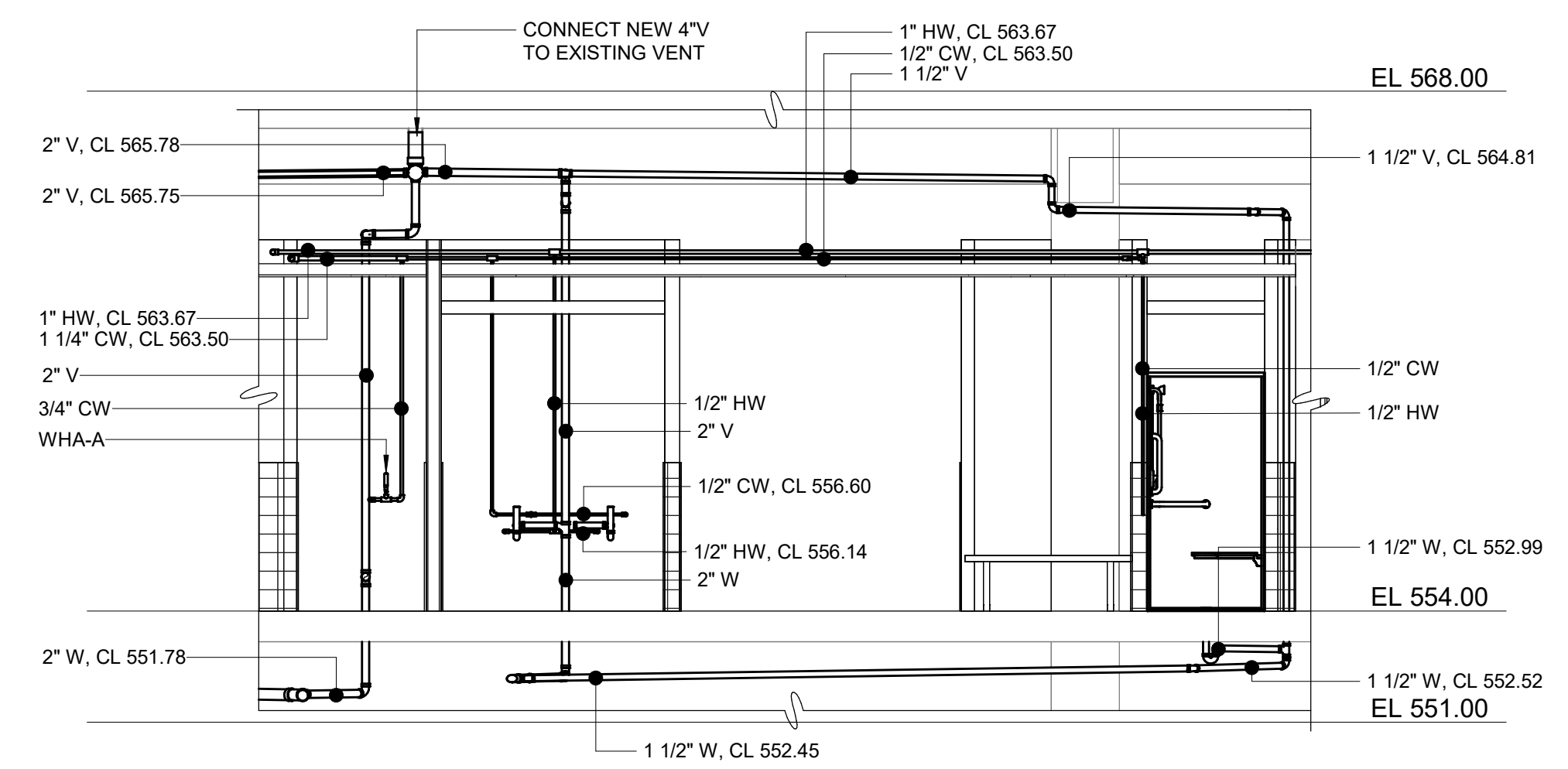
DATE:	NOVEMBER 2024
HAZEN NO.:	60711-003
CONTRACT NO.:	1
DRAWING NUMBER:	P3014



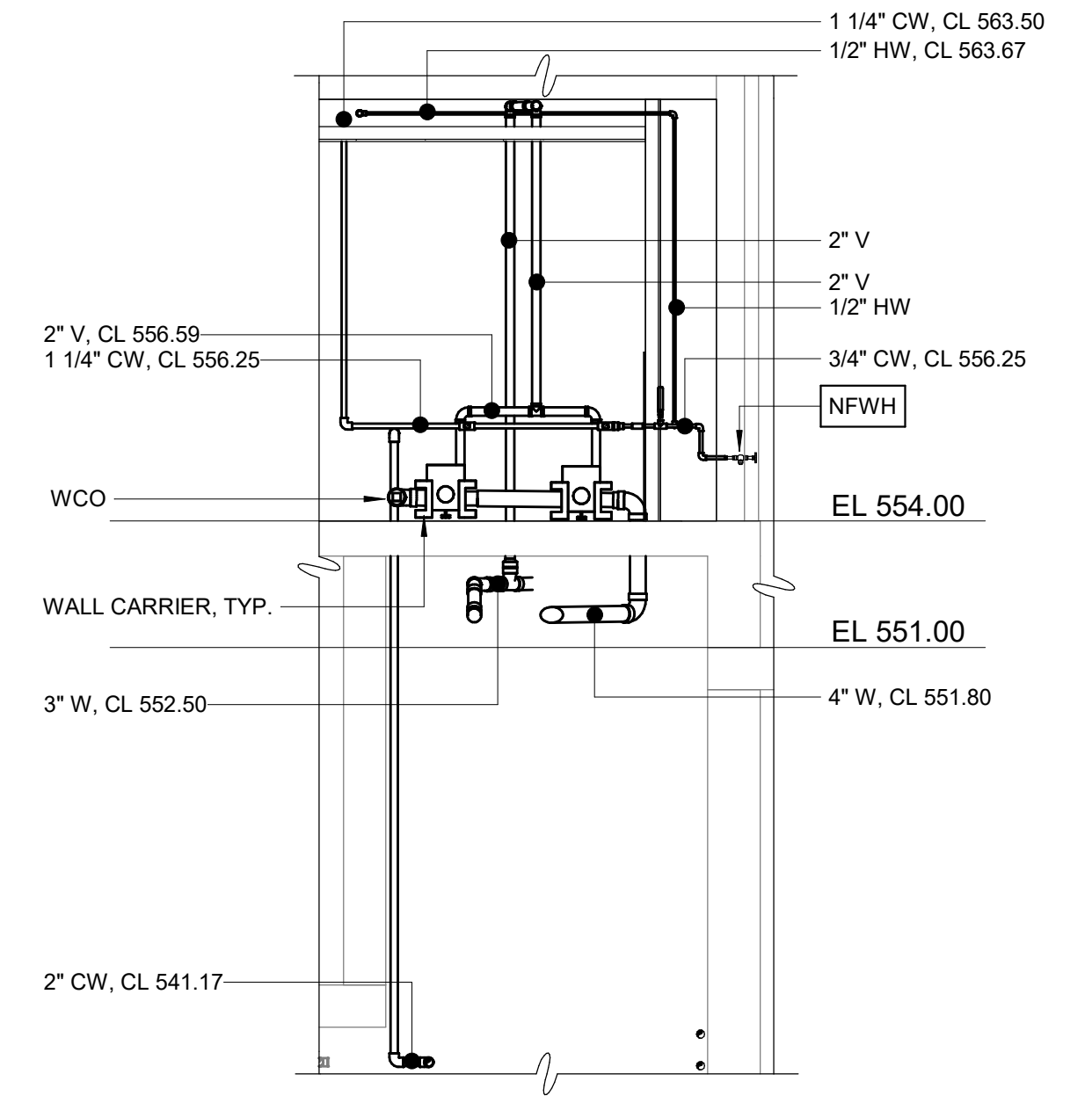
SECTION B
1/4" = 1'-0" P3012



SECTION A
1/4" = 1'-0" P3012



SECTION D
1/4" = 1'-0" P3012



SECTION C
1/4" = 1'-0" P3012

GMP SUBMITTAL. DO NOT USE FOR CONSTRUCTION.

Autodesk_DocSet/60711-001_Wilson_WTP_Rehab_Filter_Basins/60711-003-3000-FB-3100-FWC-PLUM.rvt 11/20/2024 2:05:55 PM

PROJECT MANAGER:	T. HUDSON		
DESIGNED BY:	J. JOHNSON		
DRAWN BY:	J. JOHNSON		
PROJECT ENGINEER:	T. MONAHAN		
IF THIS BAR DOES NOT MEASURE 1" THEN DRAWING IS NOT TO FULL SCALE	0 1/2" 1"		
REV	ISSUED FOR	DATE	BY



Hazen
HAZEN AND SAWYER
8150 N. CENTRAL EXPRESSWAY
TOWER II - SUITE 700
DALLAS, TEXAS 75206

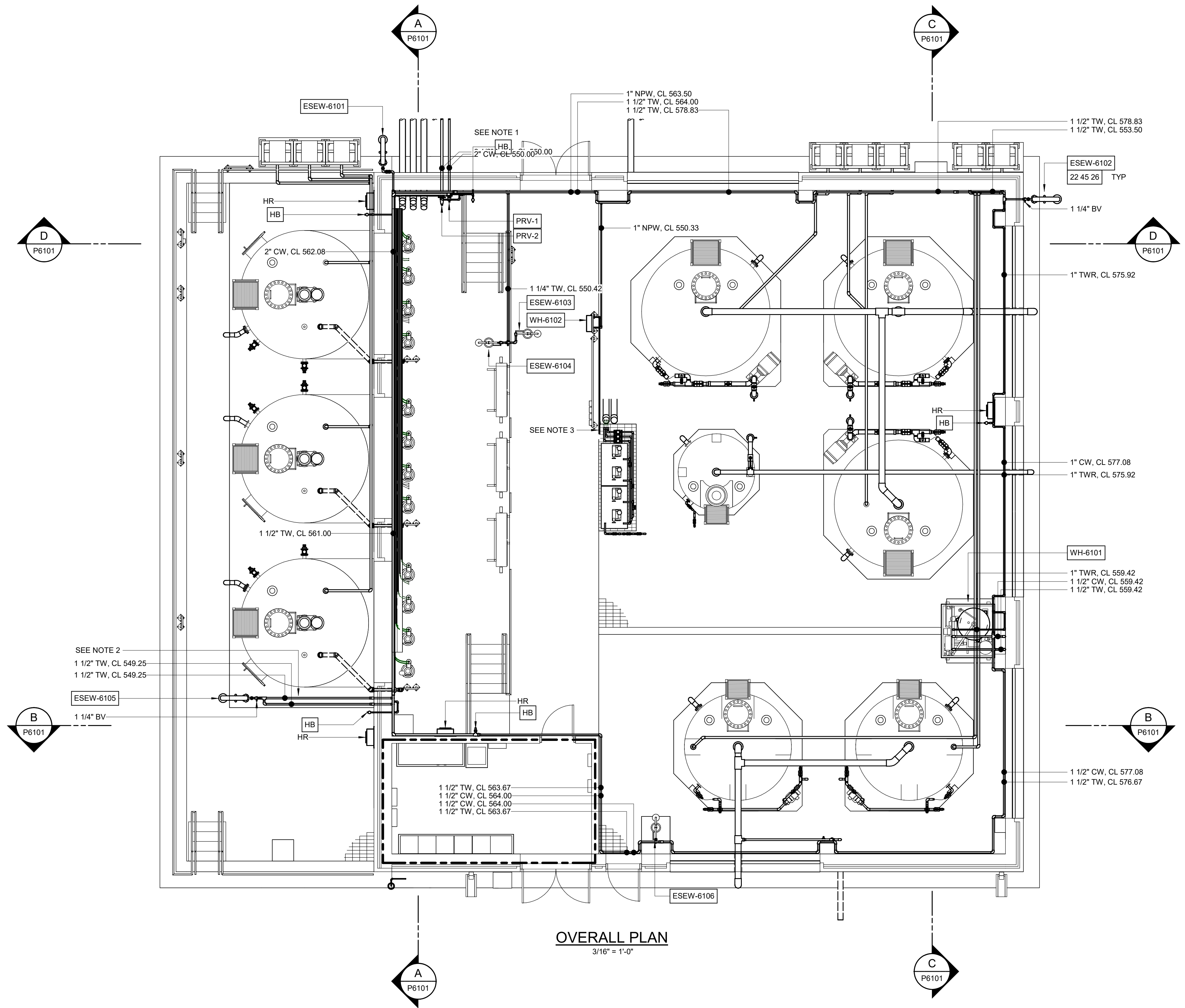
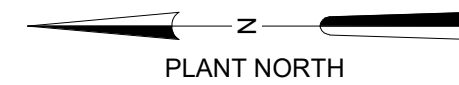
CENTRAL ARKANSAS WATER
LITTLE ROCK, ARKANSAS

JACK H. WILSON WTP RENEWAL
AND RESILIENCY PROJECT

FILTER BUILDING
PLUMBING
SECTIONS

DATE:	NOVEMBER 2024
HAZEN NO.:	60711-003
CONTRACT NO.:	1
DRAWING NUMBER:	P3015

- NOTES:**
1. PROVIDE HEAT TRACE AND INSULATION FOR EXPOSED POTABLE AND NON-POTABLE SERVICE TO BUILDING.
 2. PROVIDE HEAT TRACE AND INSULATION FOR EXPOSED TEPID WATER LINE SERVING EMERGENCY EYEWASH/SHOWER. EMERGENCY FIXTURE INCLUDES 5 FEET OF ADDITIONAL HEAT TRACE FROM FIXTURE.
 3. 3/4" NON-POTABLE WATER TO HOT ALUM FLUSH. REFER TO PROCESS MECHANICAL DRAWINGS FOR CONTINUATION.



OVERALL PLAN
3/16" = 1'-0"

GMP SUBMITTAL. DO NOT USE FOR CONSTRUCTION.

Autodesk_DocSet/60711-001_Wilson_WTP_Rehab_Files_Base/60711-003-6100-BCB-PLUM.rvt 11/18/2024 2:31:55 PM

REV	ISSUED FOR	DATE	BY

PROJECT MANAGER:	T. HUDSON
DESIGNED BY:	J. JOHNSON
DRAWN BY:	J. JOHNSON
PROJECT ENGINEER:	T. MONAHAN
IF THIS BAR DOES NOT MEASURE 1" THEN DRAWING IS NOT TO FULL SCALE	0 1/2" 1"



Hazen
HAZEN AND SAWYER
8150 N. CENTRAL EXPRESSWAY
TOWER II - SUITE 700
DALLAS, TEXAS 75206

CENTRAL ARKANSAS WATER
LITTLE ROCK, ARKANSAS

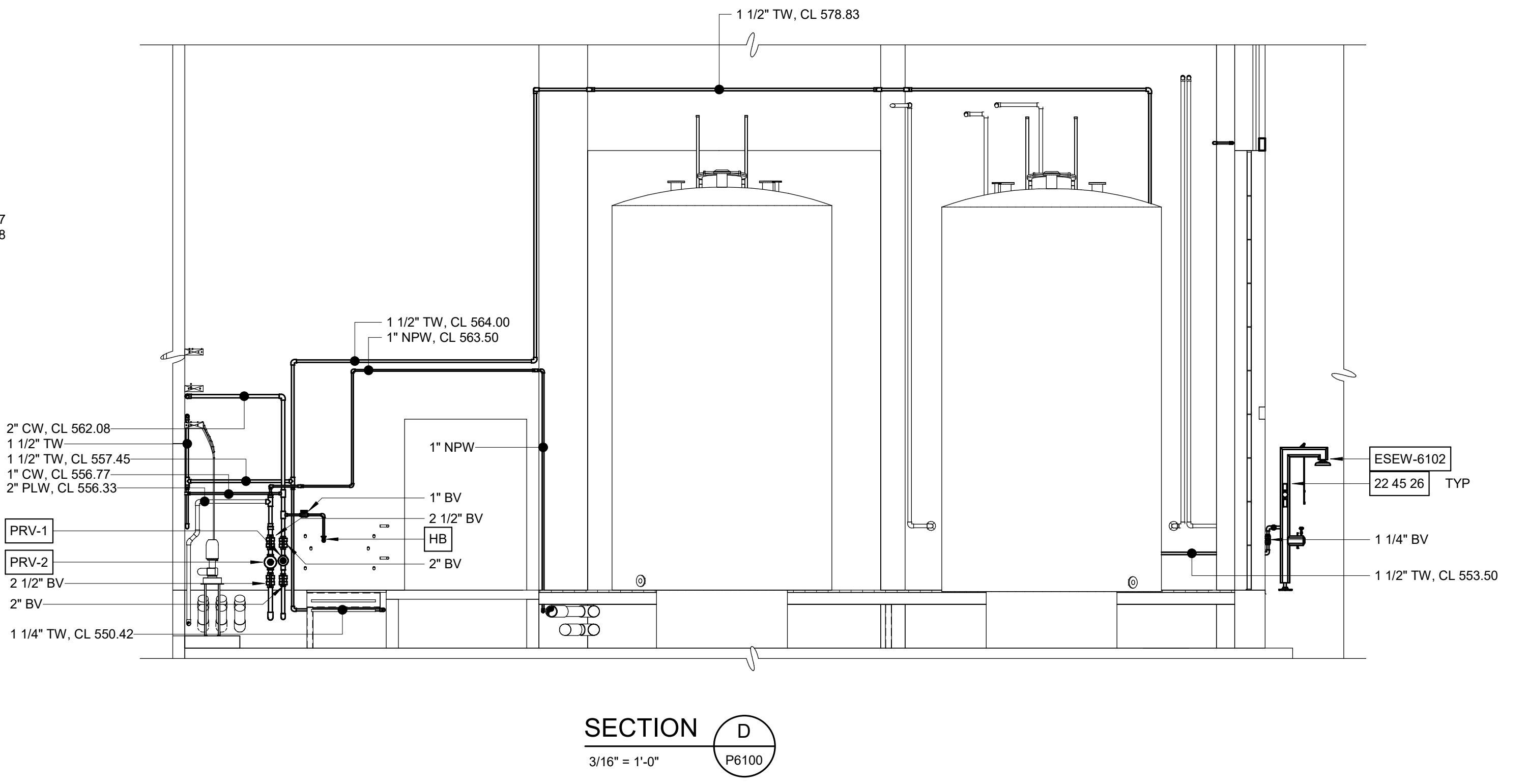
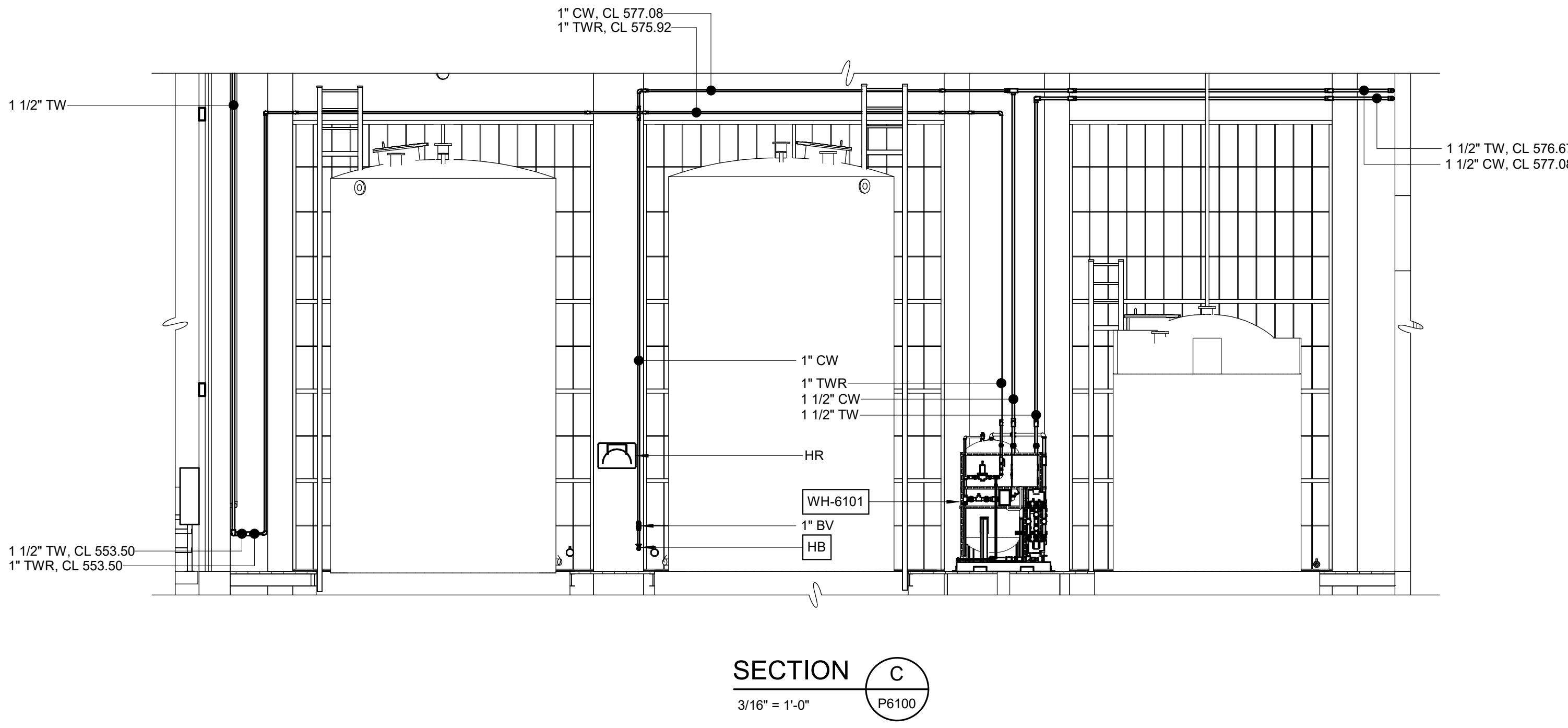
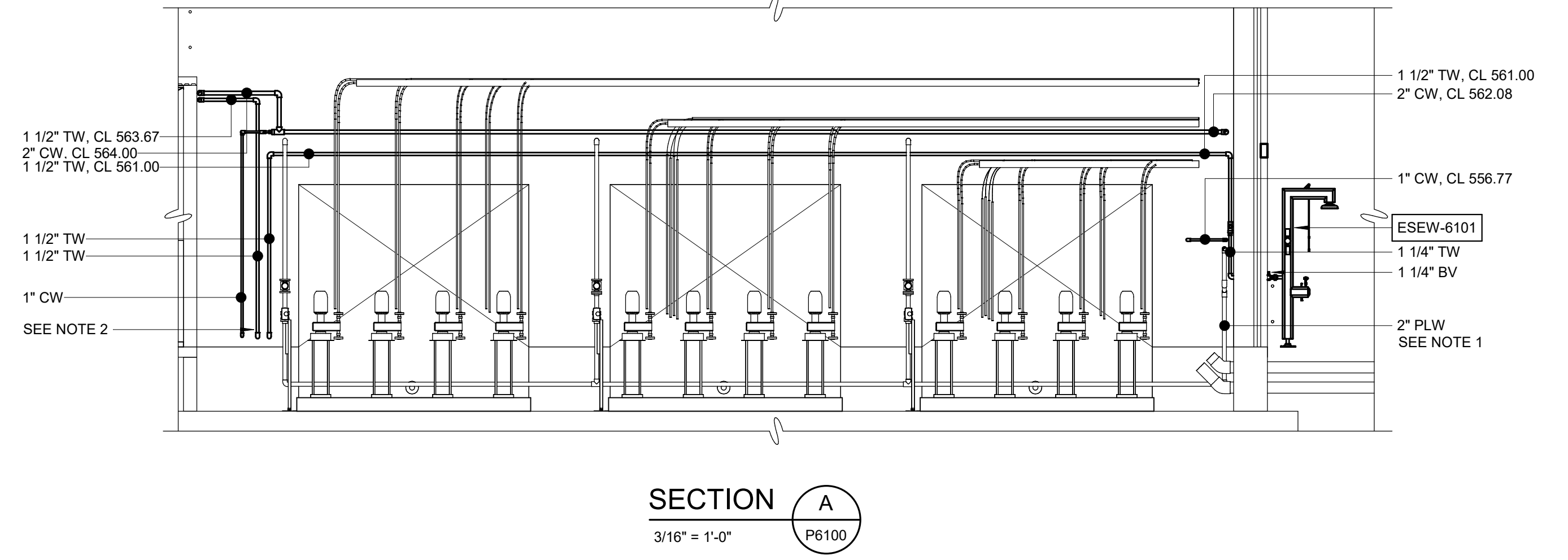
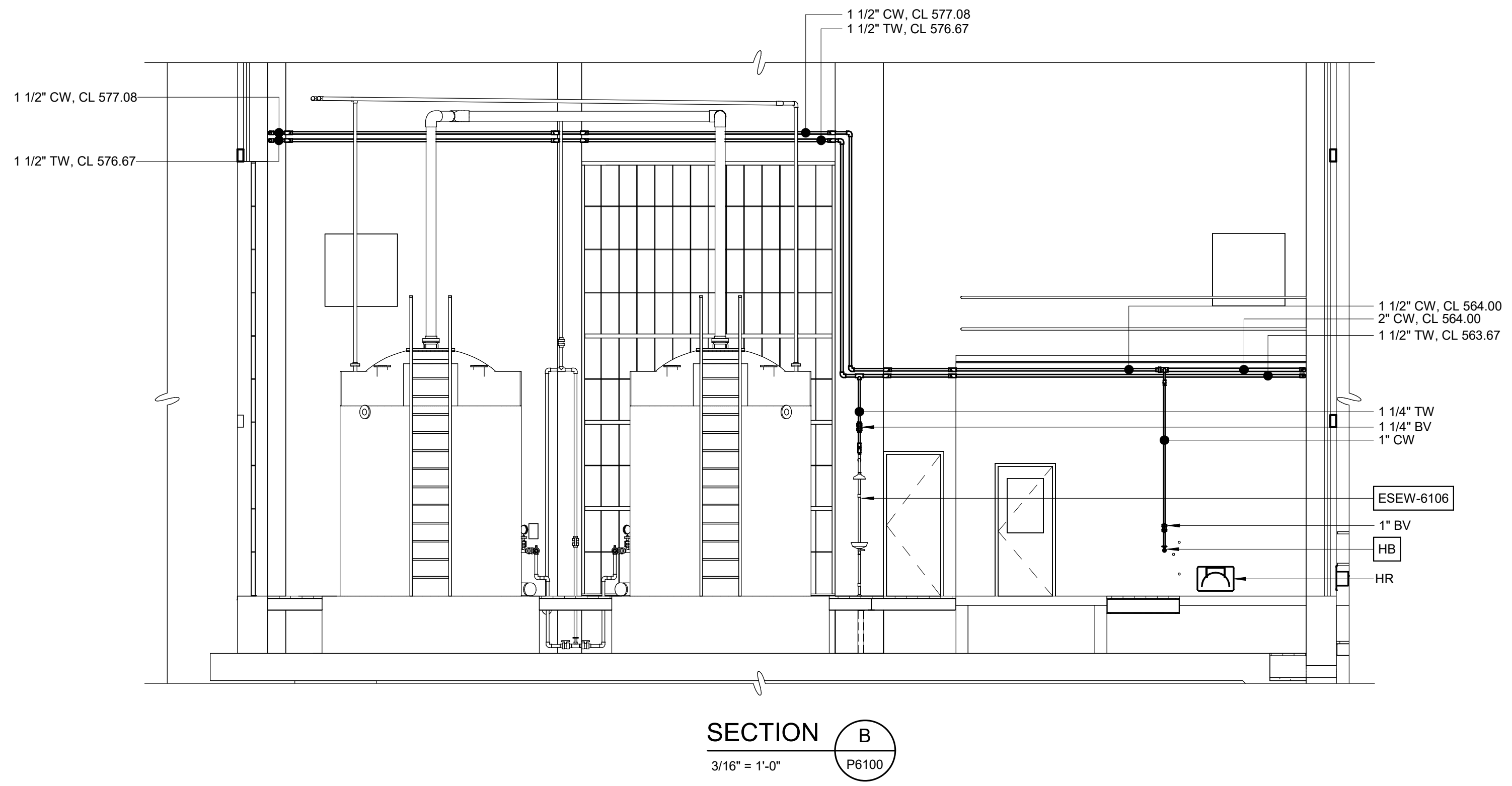
JACK H. WILSON WTP RENEWAL
AND RESILIENCY PROJECT

BULK CHEMICAL BLDG
PLUMBING
OVERALL PLAN

DATE:	NOVEMBER 2024
HAZEN NO.:	60711-003
CONTRACT NO.:	1
DRAWING NUMBER:	P6100

NOTES:

1. REFER TO PROCESS MECHANICAL DRAWINGS FOR CONTINUATION OF NON-POTABLE WATER LINE.
2. EXPOSED TEPID WATER LINE SHALL BE HEAT TRACED AND INSULATED.



GMP SUBMITTAL. DO NOT USE FOR CONSTRUCTION.

Autodesk_DocSet(60711-001_Wilson_WTP_Rehab_Filter_Base)P6101-003-6103-BCBP-PLUM.rvt 11/19/2024 2:31:55 PM

REV	ISSUED FOR	DATE	BY

PROJECT MANAGER:	T. HUDSON
DESIGNED BY:	J. JOHNSON
DRAWN BY:	J. JOHNSON
PROJECT ENGINEER:	T. MONAHAN
IF THIS BAR DOES NOT MEASURE 1" THEN DRAWING IS NOT TO FULL SCALE	



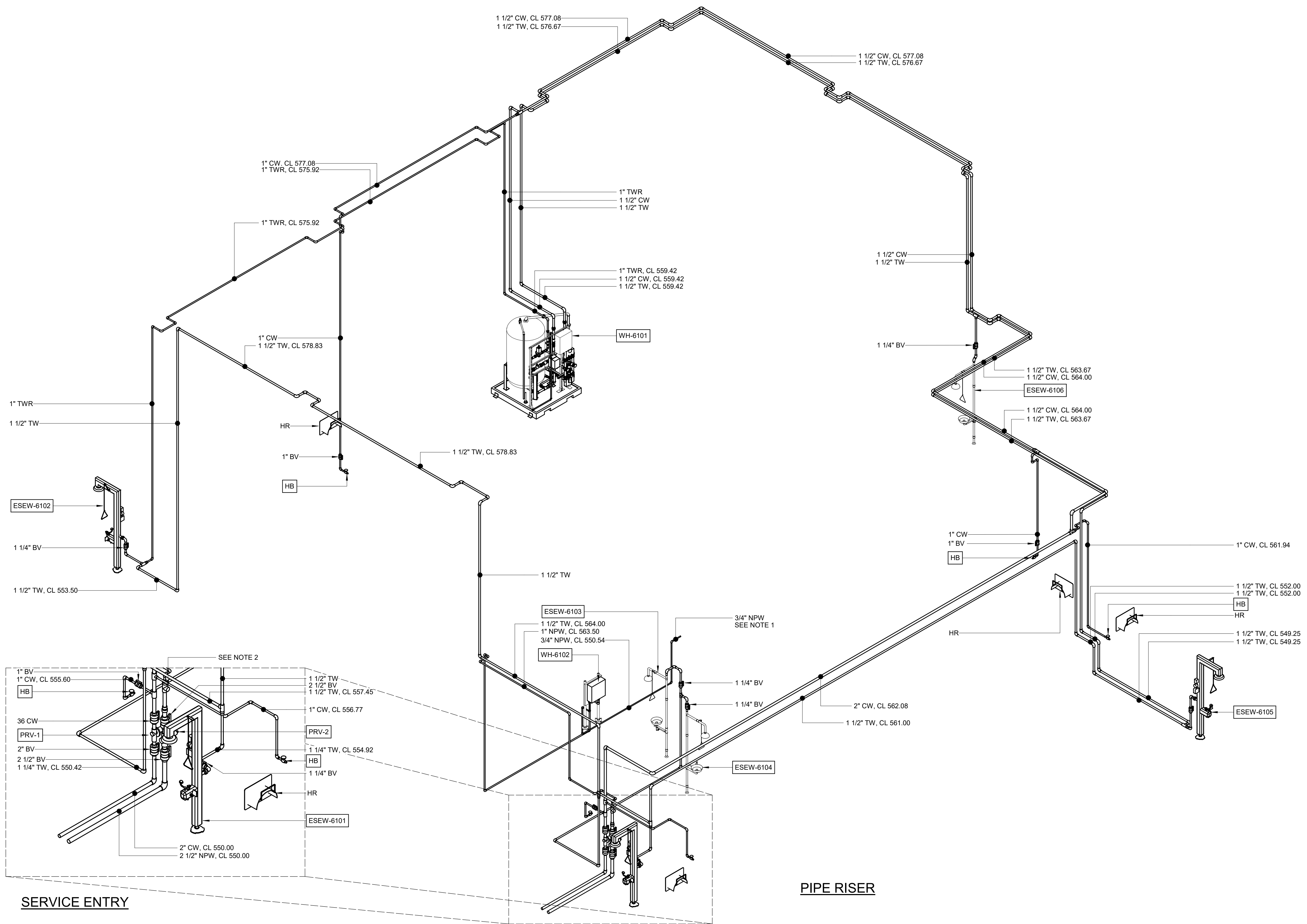
Hazen
 HAZEN AND SAWYER
 8150 N. CENTRAL EXPRESSWAY
 TOWER II - SUITE 700
 DALLAS, TEXAS 75206

CENTRAL ARKANSAS WATER
 LITTLE ROCK, ARKANSAS
 JACK H. WILSON WTP RENEWAL
 AND RESILIENCY PROJECT

BULK CHEMICAL BLDG
 PLUMBING
 SECTIONS

DATE:	NOVEMBER 2024
HAZEN NO.:	60711-003
CONTRACT NO.:	1
DRAWING NUMBER:	P6101

- NOTES:
- 3/4" NON-POTABLE WATER TO HOT ALUM FLUSH. REFER TO PROCESS MECHANICAL DRAWINGS FOR CONTINUATION.
 - 2-1/2" NON-POTABLE WATER. SEE PROCESS MECHANICAL DRAWINGS FOR CONTINUATION.



GMP SUBMITTAL. DO NOT USE FOR CONSTRUCTION.

Autodesk_DocSet(60711-001_Wilson_WTP_Rehab_Files_Base)(60711-003-6100-BCBP-PLUM.rvt 11/18/2024 2:20:57 PM

REV	ISSUED FOR	DATE	BY

PROJECT MANAGER:	T. HUDSON
DESIGNED BY:	J. JOHNSON
DRAWN BY:	J. JOHNSON
PROJECT ENGINEER:	T. MONAHAN
IF THIS BAR DOES NOT MEASURE 1" THEN DRAWING IS NOT TO FULL SCALE	

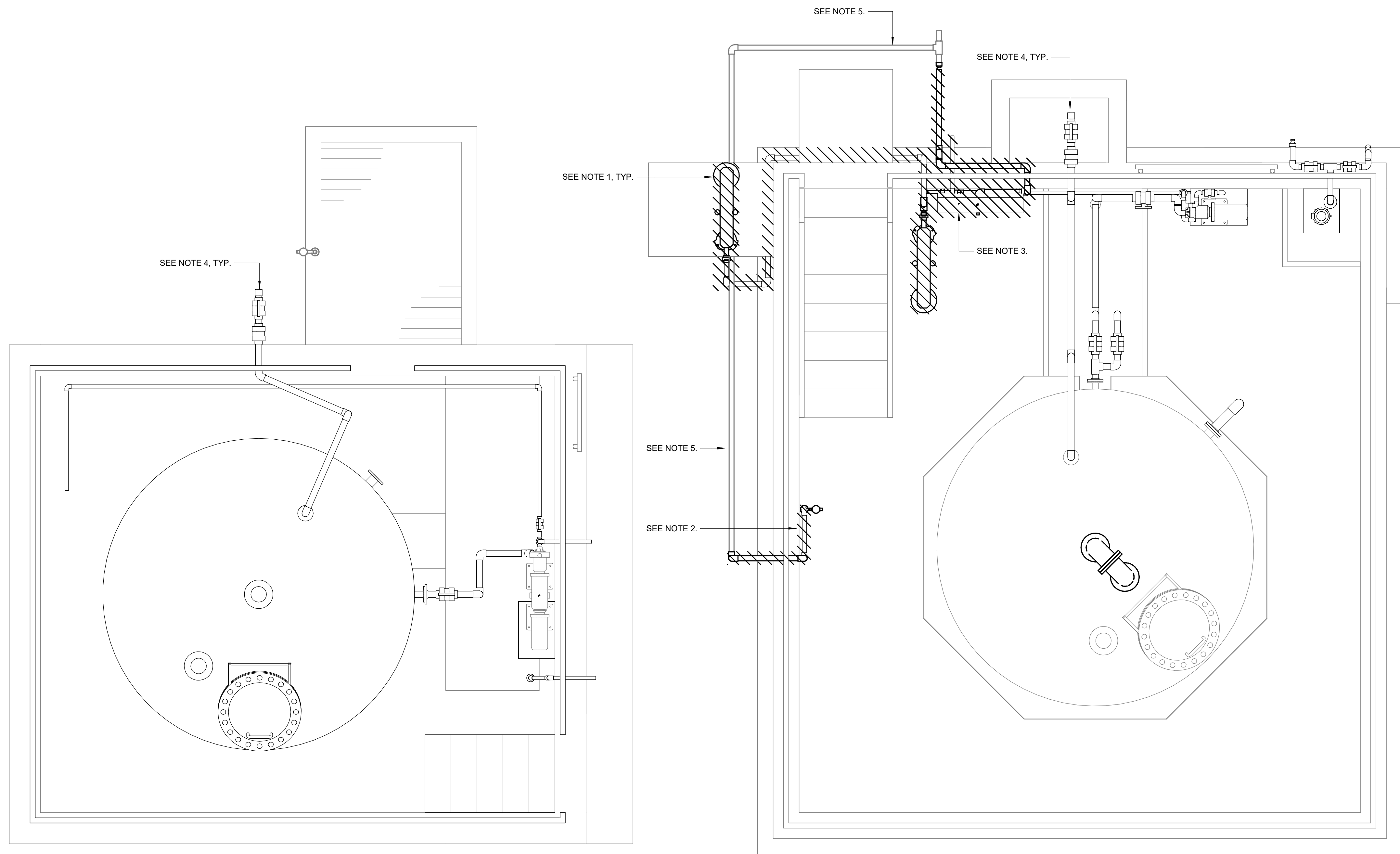
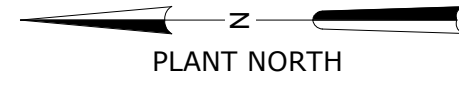


Hazen
 HAZEN AND SAWYER
 8150 N. CENTRAL EXPRESSWAY
 TOWER II - SUITE 700
 DALLAS, TEXAS 75206

CENTRAL ARKANSAS WATER
 LITTLE ROCK, ARKANSAS
 JACK H. WILSON WTP RENEWAL
 AND RESILIENCY PROJECT

BULK CHEMICAL BLDG
 PLUMBING
 PIPE RISER

DATE:	NOVEMBER 2024
HAZEN NO.:	60711-003
CONTRACT NO.:	1
DRAWING NUMBER:	P6102



- NOTES:**
1. REMOVE EMERGENCY SHOWERS AND ALL PIPING, EQUIPMENT, AND APPURTENANCES THAT ARE CONNECTED TO EMERGENCY SHOWERS.
 2. REMOVE HOSE BIBB AND HATCHED PIPING.
 3. REMOVE TANKLESS WATER HEATER AND ALL PIPING AND APPURTENANCES CONNECTED TO TANKLESS WATER HEATER.
 4. SEE MECHANICAL SHEET M6201 FOR DEMOLITION OF ASSOCIATED PIPING AND EQUIPMENT.
 5. EXISTING POTABLE WATER LINE TO REMAIN.

PLUMBING PLAN VIEW - DEMOLITION

1/2" = 1'-0"

GMP SUBMITTAL. DO NOT USE FOR CONSTRUCTION.

Autodesk_Docs\60711-001_Wilson_WTP_Rehab_Filter_Basins\60711-003-6300-FT-MECH.rvt 11/19/2024 2:03:24 PM

REV	ISSUED FOR	DATE	BY

PROJECT MANAGER:	T. HUDSON
DESIGNED BY:	J. JOHNSON
DRAWN BY:	J. JOHNSON
PROJECT ENGINEER:	T. MONAHAN
IF THIS BAR DOES NOT MEASURE 1" THEN DRAWING IS NOT TO FULL SCALE	



Hazen
 HAZEN AND SAWYER
 8150 N. CENTRAL EXPRESSWAY
 TOWER II - SUITE 700
 DALLAS, TEXAS 75206

CENTRAL ARKANSAS WATER
 LITTLE ROCK, ARKANSAS

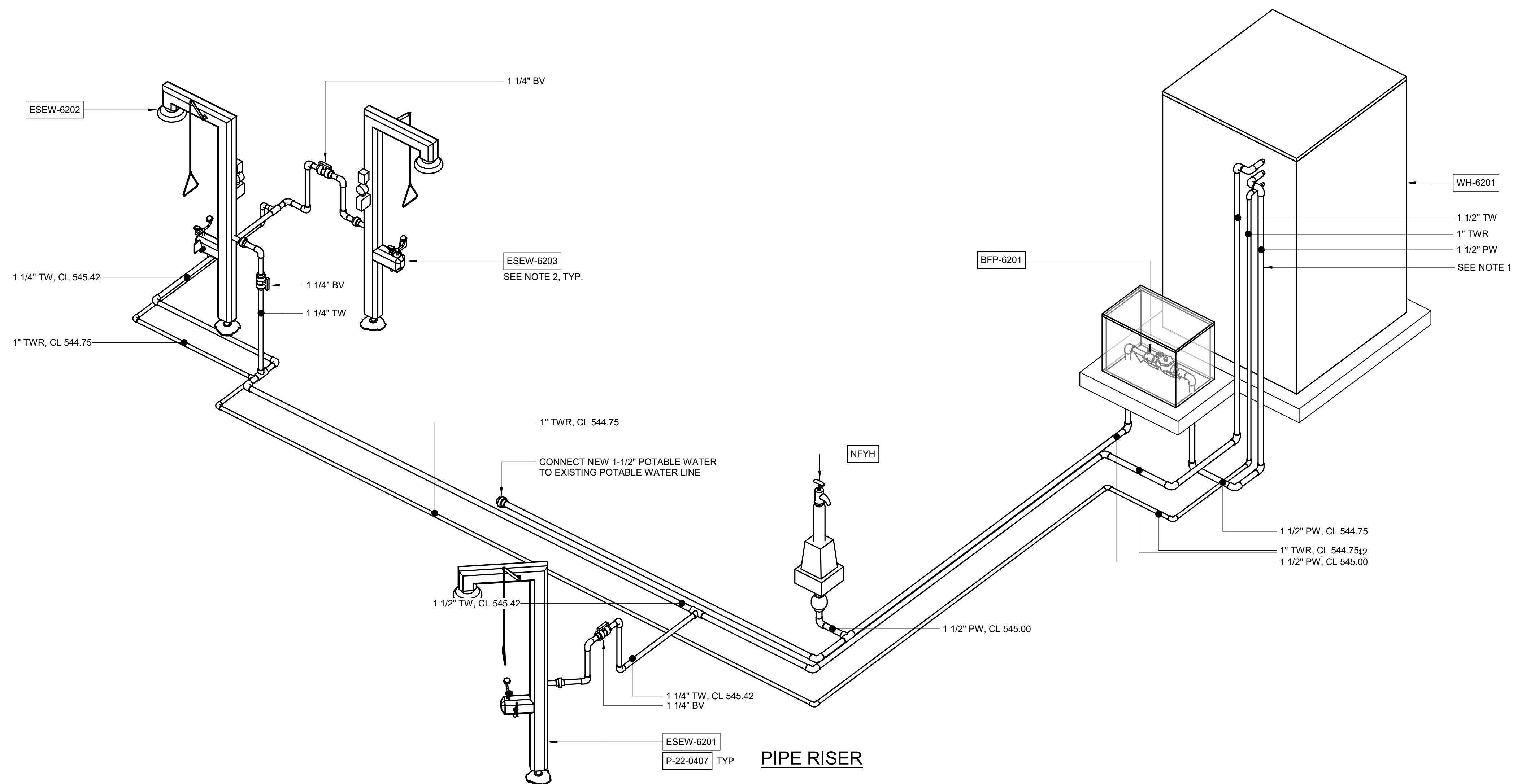
JACK H. WILSON WTP RENEWAL
 AND RESILIENCY PROJECT

FLUORIDE CONTAINMENT
 PLUMBING
 PLAN - DEMOLITION

DATE:	NOVEMBER 2024
HAZEN NO.:	60711-003
CONTRACT NO.:	1
DRAWING NUMBER:	P6200

NOTES:

1. PROVIDE HEAT TRACE AND INSULATION FOR EXPOSED POTABLE, TEPID, AND TEPID RETURN PIPING.
2. PROVIDE INSULATION FOR EMERGENCY SHOWER TEPID WATER SUPPLY LINE. HEAT TRACE PROVIDED WITH FIXTURE.

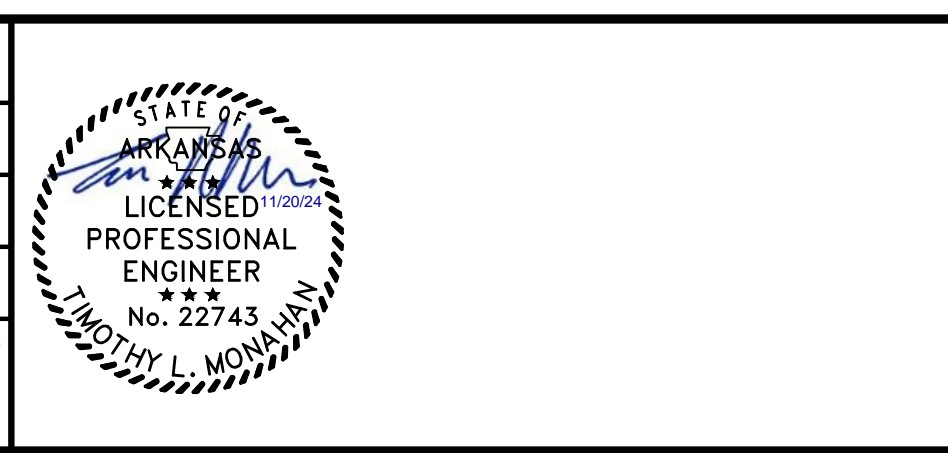


GMP SUBMITTAL. DO NOT USE FOR CONSTRUCTION.

Autodesk_Docs\60711-001_Wilson_WTP_Rehab_Filter_Basins\60711-001-6201-MECH.rvt 11/19/2024 2:03:24 PM

REV	ISSUED FOR	DATE	BY

PROJECT MANAGER:	T. HUDSON
DESIGNED BY:	J. JOHNSON
DRAWN BY:	J. JOHNSON
PROJECT ENGINEER:	T. MONAHAN
IF THIS BAR DOES NOT MEASURE 1" THEN DRAWING IS NOT TO FULL SCALE	



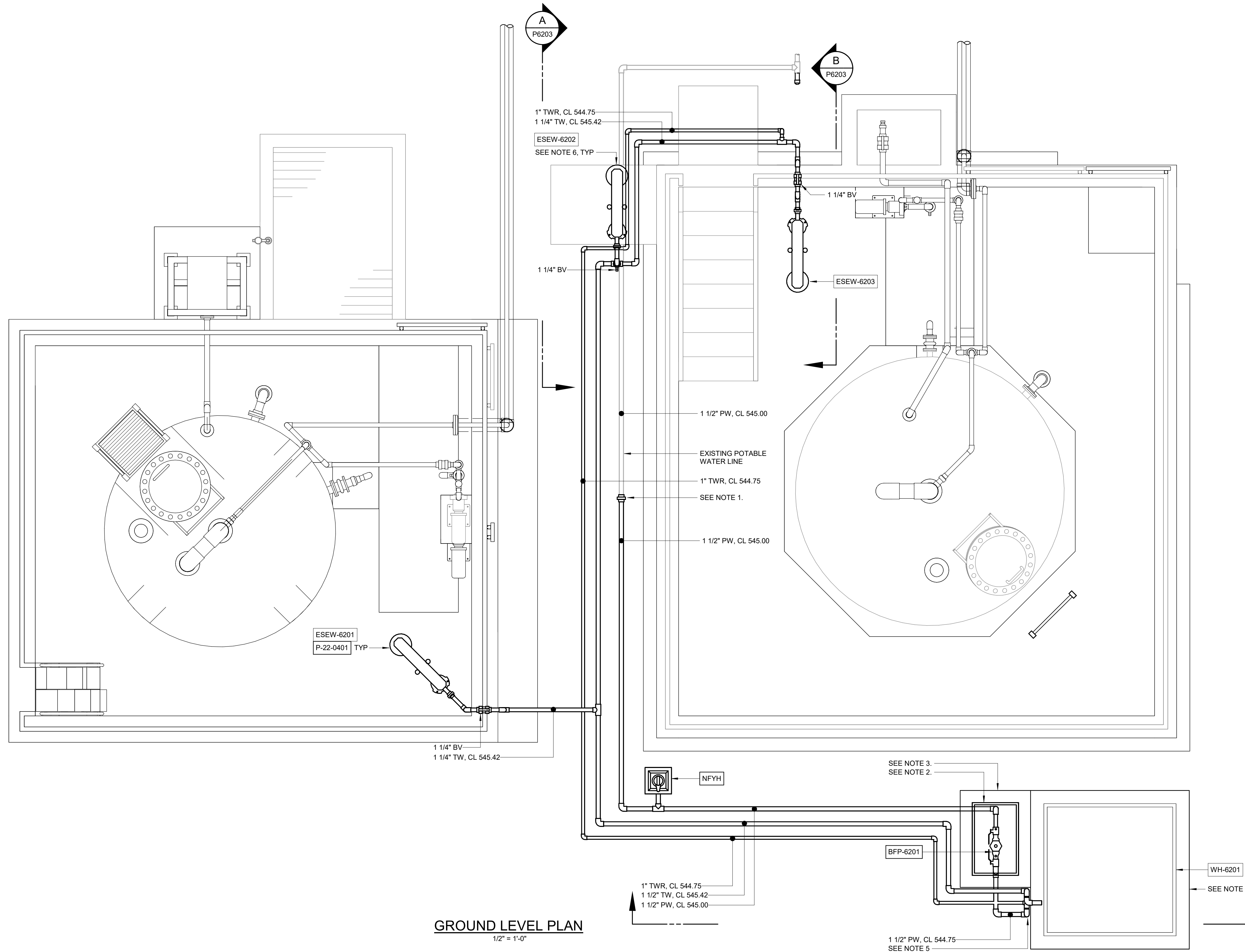
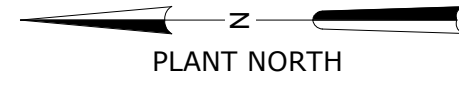
Hazen
 HAZEN AND SAWYER
 8150 N. CENTRAL EXPRESSWAY
 TOWER II - SUITE 700
 DALLAS, TEXAS 75206

CENTRAL ARKANSAS WATER
 LITTLE ROCK, ARKANSAS

JACK H. WILSON WTP RENEWAL
 AND RESILIENCY PROJECT

FLUORIDE CONTAINMENT
 PLUMBING
 PIPE RISER

DATE:	NOVEMBER 2024
HAZEN NO.:	60711-003
CONTRACT NO.:	1
DRAWING NUMBER:	P6201



- NOTES:**
- CONNECT NEW 1-1/2" POTABLE WATER PIPING TO EXISTING SERVICE.
 - PROVIDE WATTS BOX WB-1.5 OR APPROVED EQUAL FOR BACKFLOW PREVENTER.
 - PROVIDE 44" X 32" EQUIPMENT PAD PER MANUFACTURER INSTRUCTIONS.
 - INSTALL PACKAGED WATER HEATER ENCLOSURE PER MANUFACTURER'S INSTRUCTIONS. UNIT TO UTILIZE CONCRETE BASE PAD FOR UNIT SUPPORT.
 - PROVIDE HEAT TRACE AND INSULATION FOR EXPOSED POTABLE, TEPID, AND TEPID RETURN PIPING.
 - PROVIDE INSULATION FOR EMERGENCY SHOWER TEPID WATER SUPPLY LINE. HEAT TRACE PROVIDED BY MANUFACTURER WITH FIXTURE.

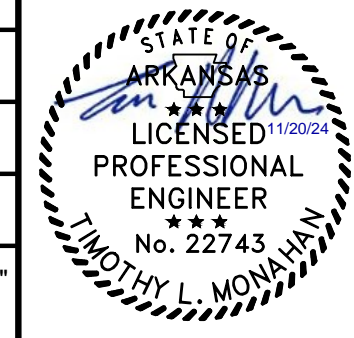
GROUND LEVEL PLAN
1/2" = 1'-0"

GMP SUBMITTAL. DO NOT USE FOR CONSTRUCTION.

Autodesk_DocSet/60711-001_Wilson_WTP_Rehab_File_Baer/60711-001-6200-FT-MECH.rvt 11/19/2024 2:03:25 PM

REV	ISSUED FOR	DATE	BY

PROJECT MANAGER:	T. HUDSON
DESIGNED BY:	J. JOHNSON
DRAWN BY:	J. JOHNSON
PROJECT ENGINEER:	T. MONAHAN
IF THIS BAR DOES NOT MEASURE 1" THEN DRAWING IS NOT TO FULL SCALE	
0	1/2" 1"



Hazen
HAZEN AND SAWYER
8150 N. CENTRAL EXPRESSWAY
TOWER II - SUITE 700
DALLAS, TEXAS 75206

CENTRAL ARKANSAS WATER
LITTLE ROCK, ARKANSAS

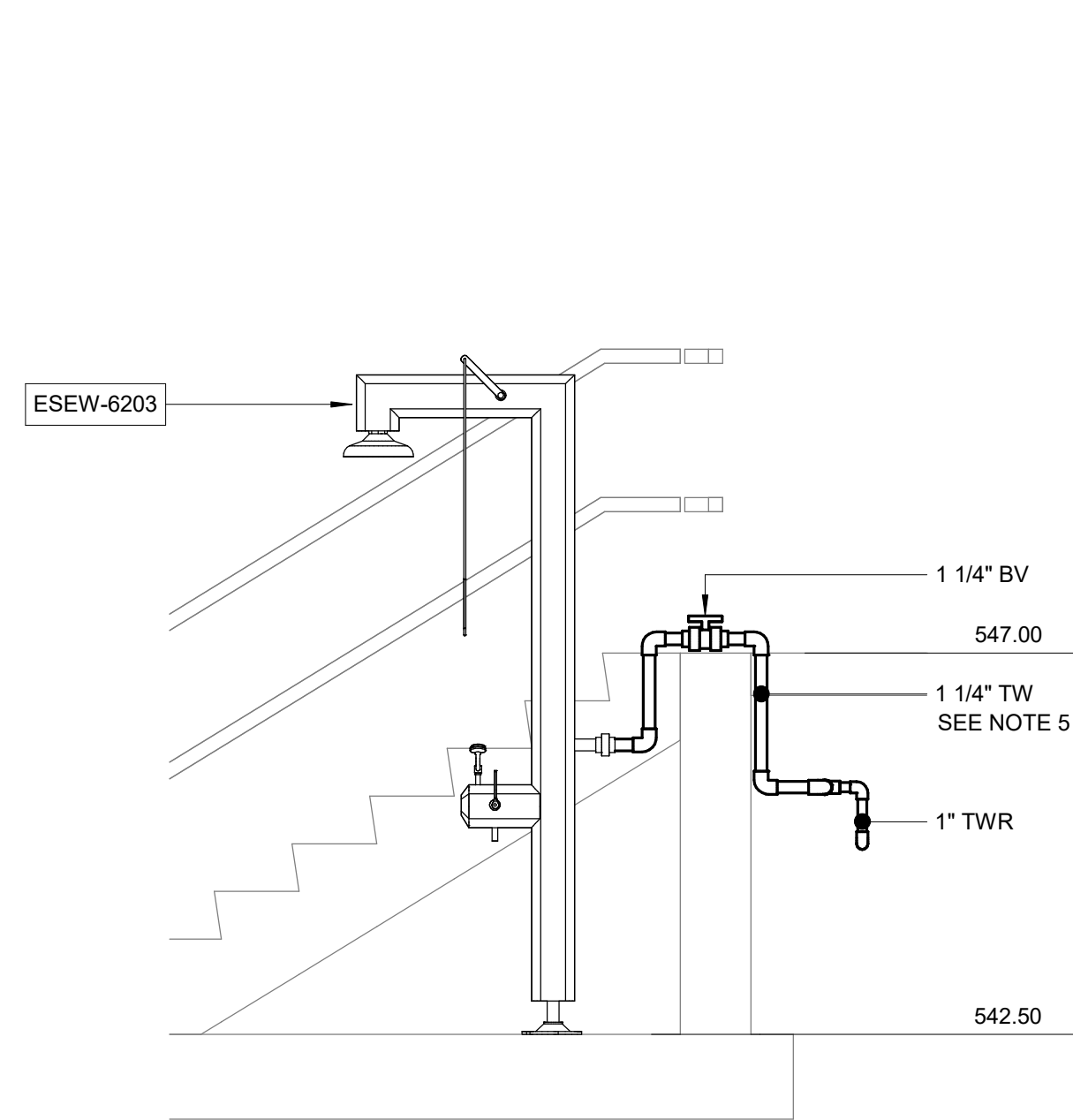
JACK H. WILSON WTP RENEWAL
AND RESILIENCY PROJECT

FLUORIDE CONTAINMENT
PLUMBING
PLAN

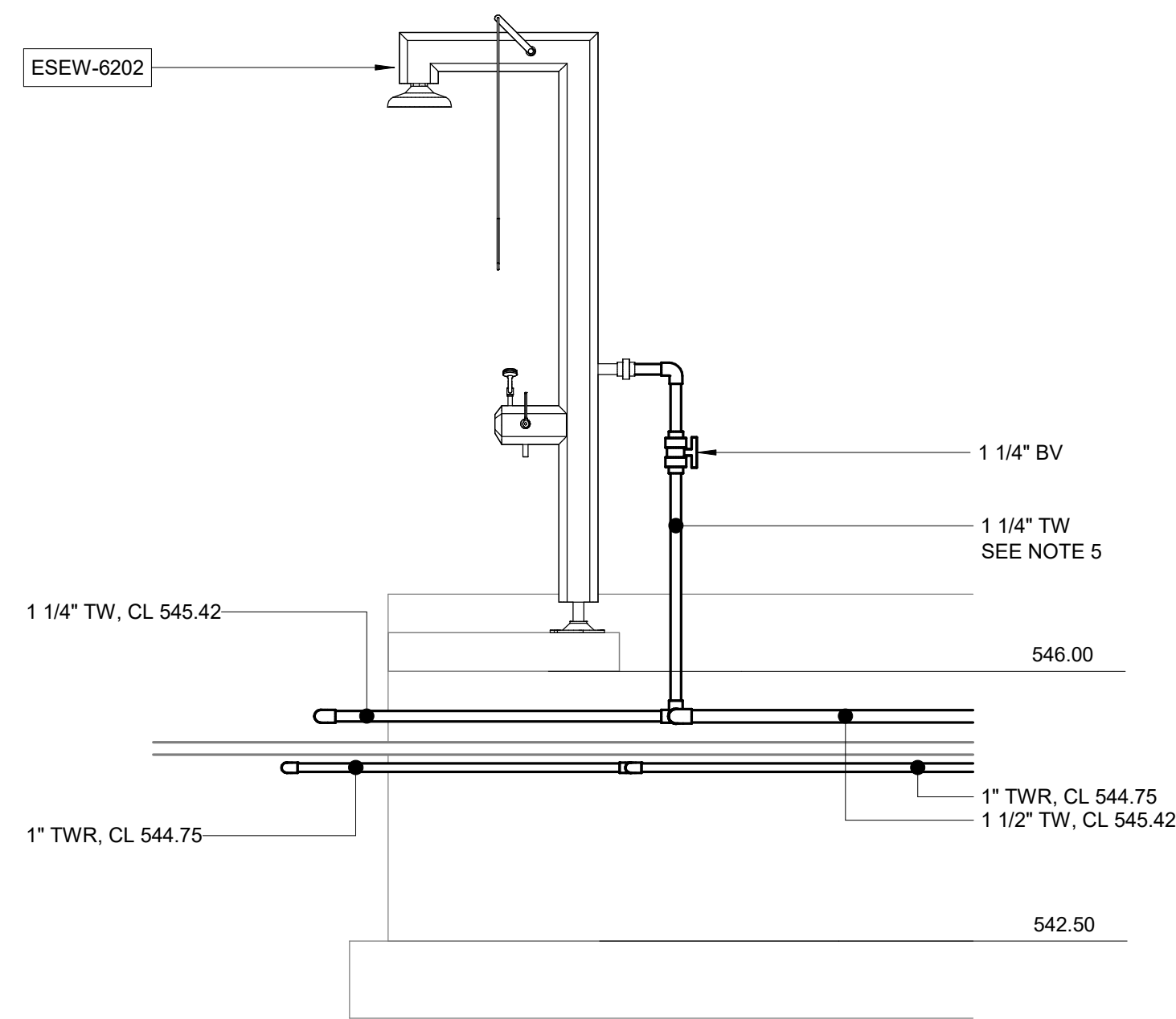
DATE:	NOVEMBER 2024
HAZEN NO.:	60711-003
CONTRACT NO.:	1
DRAWING NUMBER:	P6202

NOTES:

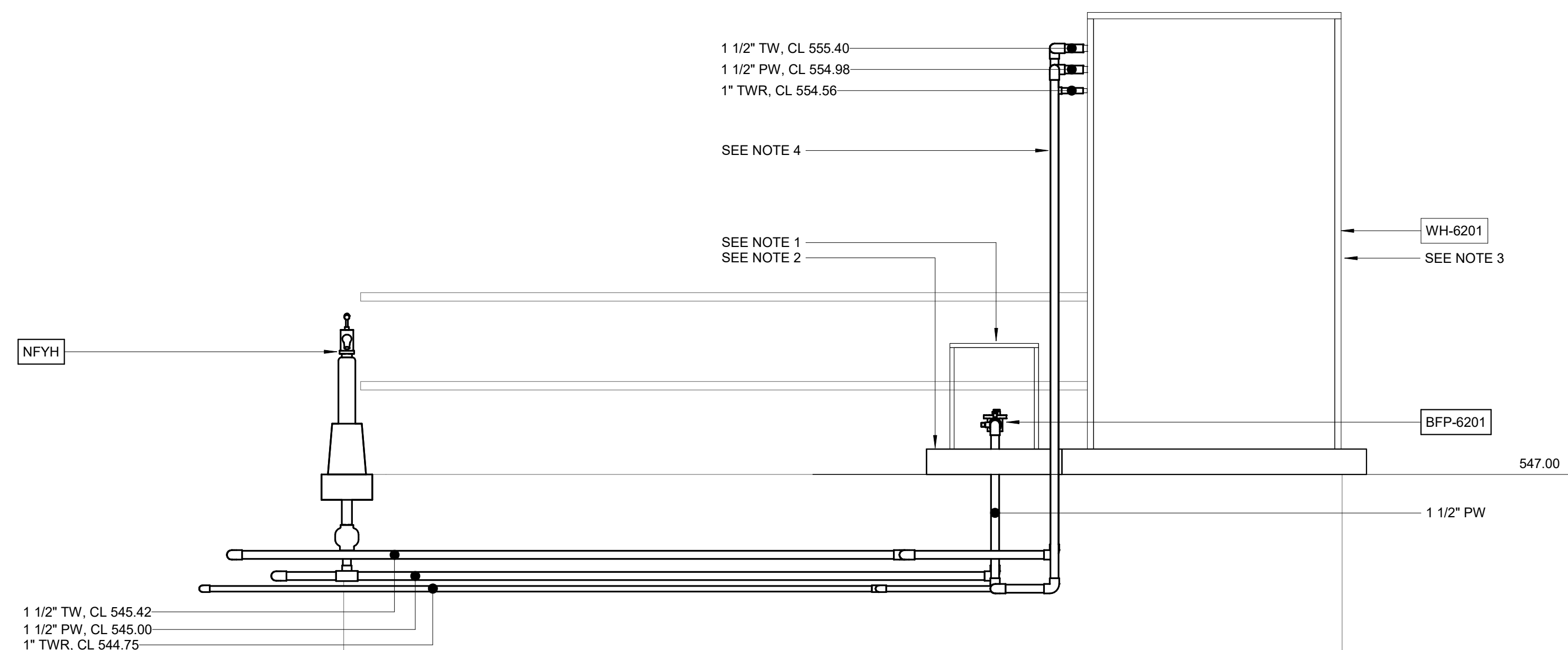
1. PROVIDE WATTS BOX WB-1.5 OR APPROVED EQUAL FOR BACKFLOW PREVENTER.
2. PROVIDE 44" X 32" EQUIPMENT PAD PER MANUFACTURER INSTRUCTIONS.
3. INSTALL PACKAGED WATER HEATER ENCLOSURE PER MANUFACTURER'S INSTRUCTIONS. UNIT TO UTILIZE CONCRETE BASE PAD FOR UNIT SUPPORT.
4. PROVIDE HEAT TRACE AND INSULATION FOR EXPOSED POTABLE, TEPID, AND TEPID RETURN PIPING.
5. PROVIDE INSULATION FOR EMERGENCY SHOWER TEPID WATER SUPPLY LINE. HEAT TRACE PROVIDED BY MANUFACTURER WITH FIXTURE.



SECTION B
1/2" = 1'-0"
P6202



SECTION A
1/2" = 1'-0"
P6202



SECTION C
1/2" = 1'-0"
P6202

GMP SUBMITTAL. DO NOT USE FOR CONSTRUCTION.

Autodesk_Docs\60711-001_Wilson_WTP_Rehab_Filter_Basins\60711-003-6300-FT-MECH.rvt 11/19/2024 2:03:25 PM

REV	ISSUED FOR	DATE	BY

PROJECT MANAGER:	T. HUDSON
DESIGNED BY:	J. JOHNSON
DRAWN BY:	J. JOHNSON
PROJECT ENGINEER:	T. MONAHAN
IF THIS BAR DOES NOT MEASURE 1" THEN DRAWING IS NOT TO FULL SCALE	



Hazen
HAZEN AND SAWYER
8150 N. CENTRAL EXPRESSWAY
TOWER II - SUITE 700
DALLAS, TEXAS 75206

CENTRAL ARKANSAS WATER
LITTLE ROCK, ARKANSAS

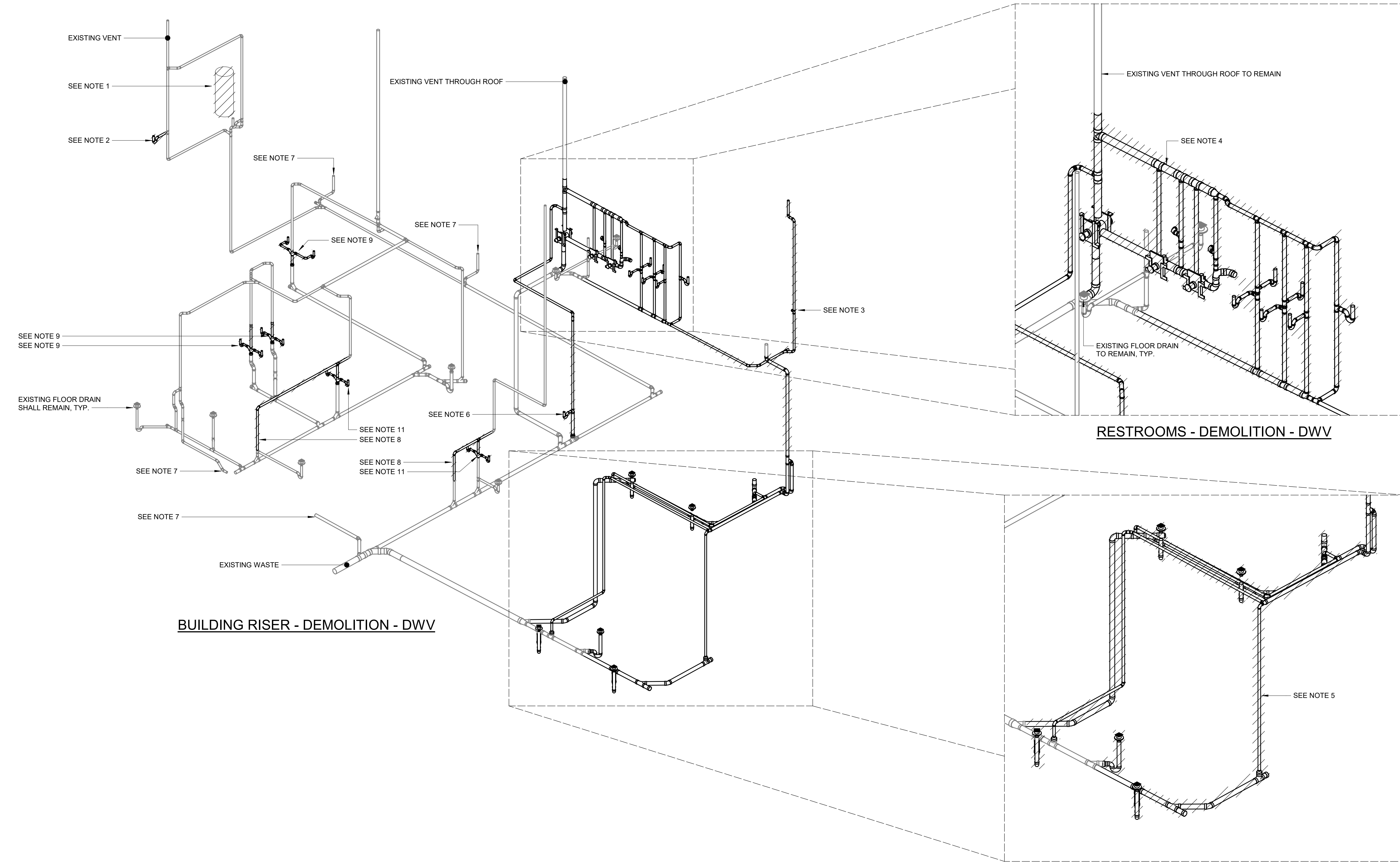
JACK H. WILSON WTP RENEWAL
AND RESILIENCY PROJECT

FLUORIDE CONTAINMENT
PLUMBING
SECTIONS

DATE:	NOVEMBER 2024
HAZEN NO.:	60711-003
CONTRACT NO.:	1
DRAWING NUMBER:	P6203

PLANS BASED ON RECORD DRAWINGS.
 CONTRACTOR SHALL FIELD VERIFY ALL
 PIPE LOCATIONS AND CONNECTIONS.
 EXISTING PIPE SHALL BE REMOVED AND
 DEMOLISHED, AS SHOWN HATCHED.

- NOTES:**
- CONTRACTOR SHALL REMOVE EXISTING WATER HEATER AND OTHER APPURTENANCES RELATED TO WATER HEATER. FLOOR DRAIN SHALL REMAIN.
 - CONTRACTOR SHALL REMOVE EXISTING SINK. EXISTING WASTE AND VENTPIPING SHALL BE REMOVED TO WALL. PIPING IN WALL SHALL REMAIN FOR REUSE.
 - CONTRACTOR SHALL REMOVE EXISTING DRINKING FOUNTAIN AND ALL PIPING ASSOCIATED AS SHOWN HATCHED.
 - CONTRACTOR SHALL REMOVE WASTE AND VENT LINES ASSOCIATED WITH BATHROOM FIXTURES. PIPING TO BE REMOVED IS SHOWN HATCHED.
 - CONTRACTOR SHALL REMOVE FLOOR DRAINS, WASTE AND VENT PIPING AS SHOWN HATCHED. PIPING BELOW FLOOR SHALL REMAIN FOR REUSE.
 - CONTRACTOR SHALL REMOVE SERVICE SINK AND ALL PIPING ASSOCIATE WITH FIXTURE.
 - ACID WASTE PIPING CONTINUES TO ACID DILUTION TANK.
 - CONTRACTOR SHALL REMOVE ALL WASTE AND VENT PIPING IN CABINETS. WASTE PIPING AT SLAB AND VENT PIPING IN WALL SHALL BE RETAINED FOR REUSE.
 - CONTRACTOR SHALL REMOVE WASTE PIPING FOR FUME HOOD BACK TO WALL. WASTE AND VENT PIPING IN WALL SHALL BE RETAINED FOR REUSE.
 - CONTRACTOR SHALL REMOVE EXISTING LAB SINK AND WASTE PIPING TO WALL. RETAIN VENT AND WASTE PIPING FOR NEW FIXTURE.
 - CONTRACTOR SHALL REMOVE SAMPLE SINK AND WASTE PIPING TO SLAB. RETAIN WASTE PIPING PIPING BELOW SLAB FOR NEW FIXTURE.



GMP SUBMITTAL. DO NOT USE FOR CONSTRUCTION.

Autodesk Docs/60711-001_Wilson_WTP_Restab_Plan_PLM.rvt
 11/20/24 2:24:10 PM

REV	ISSUED FOR	DATE	BY

PROJECT MANAGER:	T. HUDSON
DESIGNED BY:	J. JOHNSON
DRAWN BY:	J. JOHNSON
PROJECT ENGINEER:	T. MONAHAN
IF THIS BAR DOES NOT MEASURE 1" THEN DRAWING IS NOT TO FULL SCALE	



Hazen
 HAZEN AND SAWYER
 8150 N. CENTRAL EXPRESSWAY
 TOWER II - SUITE 700
 DALLAS, TEXAS 75206

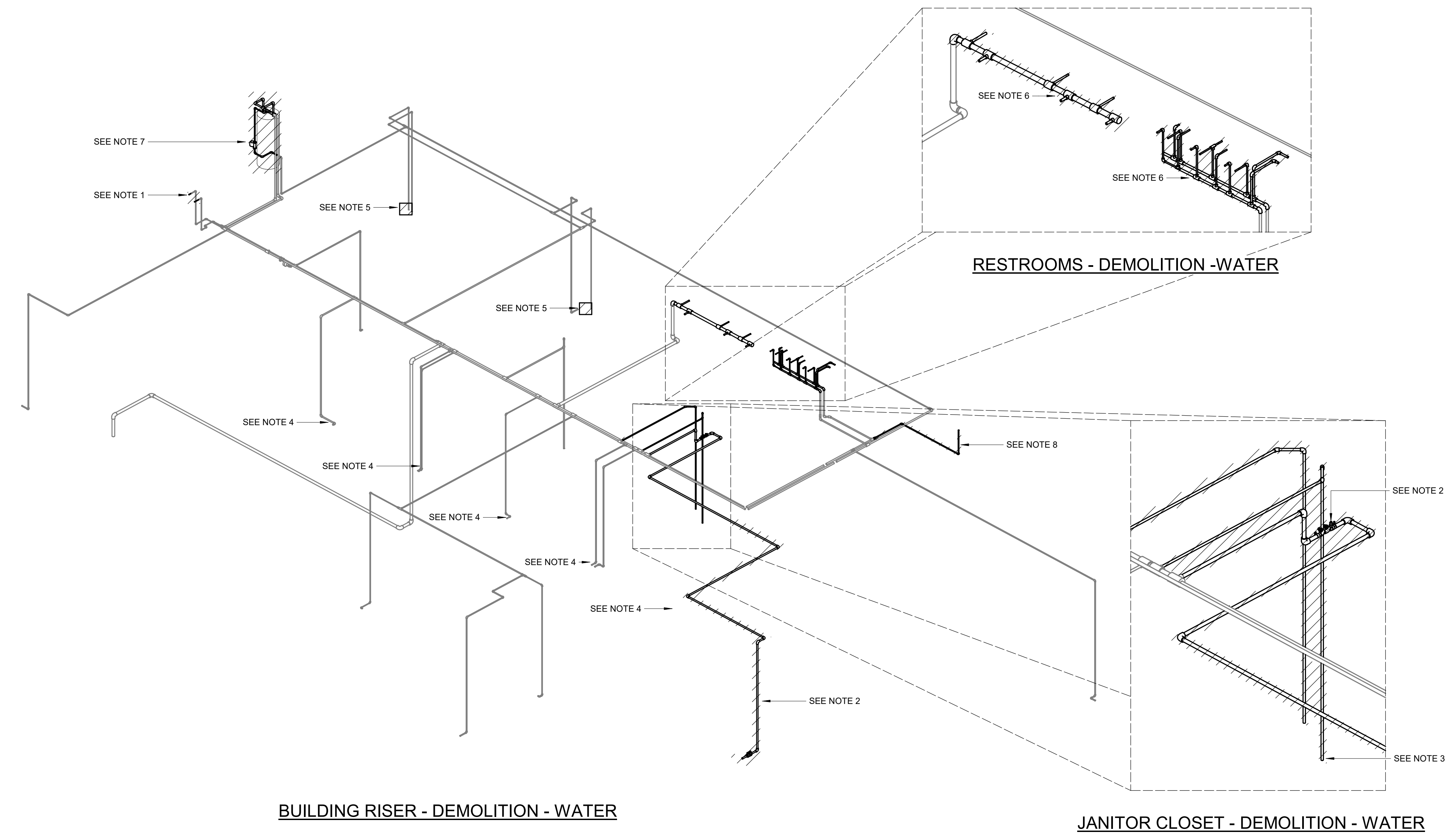
CENTRAL ARKANSAS WATER
 LITTLE ROCK, ARKANSAS
 JACK H. WILSON WTP RENEWAL
 AND RESILIENCY PROJECT

ADMINISTRATION BUILDING
 PLUMBING
 DEMOLITION RISER - DWV

DATE:	NOVEMBER 2024
HAZEN NO.:	60711-003
CONTRACT NO.:	1
DRAWING NUMBER:	P8000

PLANS BASED ON RECORD DRAWINGS. CONTRACTOR SHALL FIELD VERIFY ALL PIPE LOCATIONS AND CONNECTIONS.
EXISTING PIPE SHALL BE REMOVED AND DEMOLISHED, AS SHOWN HATCHED.

- NOTES:**
1. CONTRACTOR SHALL REMOVE EXISTING WATER LINES AS SHOWN HATCHED. WATER LINES SHALL BE CAPPED AT TEE.
 2. CONTRACTOR SHALL REMOVE EXISTING BACKFLOW PREVENTER AND ALL WATER PIPING DOWNSTREAM. CONTRACTOR SHALL REMOVE UPSTREAM WATER PIPING BACK TO TEE, AS SHOWN HATCHED.
 3. CONTRACTOR SHALL REMOVE EXISTING SERVICE SINK. CONTRACTOR SHALL REMOVE HOT AND COLD WATER PIPING SERVING SERVICE FAUCET BACK TO MAIN AND CAP AT TEE.
 4. ALL WATER PIPING, GAS PIPING, AND COMPRESSED GAS PIPING IN CABINETS SHALL BE REMOVED BACK TO WALL BY THE CONTRACTOR. CONTRACTOR SHALL RETAIN PIPING IN WALL FOR REUSE. SEE P8015 FOR MORE INFORMATION.
 5. CONTRACTOR SHALL REMOVE EXISTING LAB SINK AND WATER PIPING TO WALL. RETAIN WATER PIPING IN WALL FOR NEW FIXTURE.
 6. CONTRACTOR SHALL REMOVE EXISTING WATER CLOSETS, URINALS, LAVATORIES, AND SERVICE SINK. REMOVE EXISTING HOT AND COLD WATER ASSOCIATED WITH THESE FIXTURES.
 7. WATER HEATER AND SUPPORTING EQUIPMENT TO BE REPLACED. CONTRACTOR SHALL REMOVE HOT, COLD AND HOT WATER RETURN PIPING TO WALL FOR REUSE. CONTRACTOR SHALL REMOVE GAS PIPING AND CAP AT MAIN.
 8. CONTRACTOR SHALL REMOVE EXISTING DRINKING FOUNTAIN AND WATER SUPPLY. WATER SUPPLY SHALL BE REMOVED BACK TO TEE AND CAPPED.



GMP SUBMITTAL. DO NOT USE FOR CONSTRUCTION.

Autodesk_Docs\60711-001_Wilson_WTP_Rehab_Filter_Basins\60711-003-8000-AB-PLUM.rvt 11/18/2024 2:24:11 PM

PROJECT MANAGER:	T. HUDSON		
DESIGNED BY:	J. JOHNSON		
DRAWN BY:	J. JOHNSON		
PROJECT ENGINEER:	T. MONAHAN		
IF THIS BAR DOES NOT MEASURE 1" THEN DRAWING IS NOT TO FULL SCALE			
REV	ISSUED FOR	DATE	BY



Hazen
HAZEN AND SAWYER
8150 N. CENTRAL EXPRESSWAY
TOWER II - SUITE 700
DALLAS, TEXAS 75206

CENTRAL ARKANSAS WATER
LITTLE ROCK, ARKANSAS

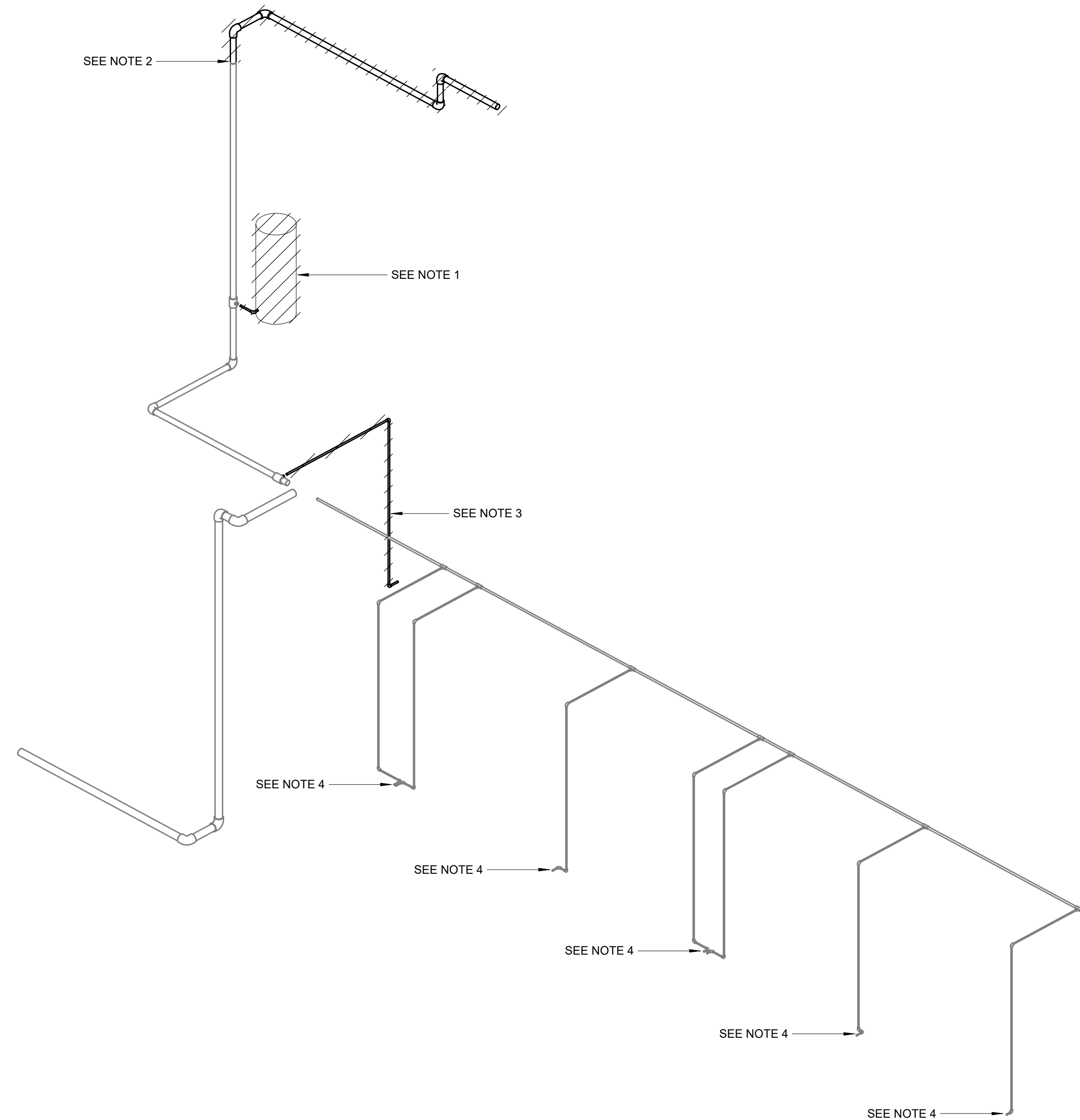
JACK H. WILSON WTP RENEWAL
AND RESILIENCY PROJECT

ADMINISTRATION BUILDING
PLUMBING
DEMOLITION RISER - WATER

DATE:	NOVEMBER 2024
HAZEN NO.:	60711-003
CONTRACT NO.:	1
DRAWING NUMBER:	P8001

PLANS BASED ON RECORD DRAWINGS.
 CONTRACTOR SHALL FIELD VERIFY ALL
 PIPE LOCATIONS AND CONNECTIONS.
 EXISTING PIPE SHALL BE REMOVED AND
 DEMOLISHED, AS SHOWN HATCHED.

- NOTES:**
1. CONTRACTOR SHALL REMOVE WATER HEATER FLUE AND GAS PIPING. CAP GAS PIPING AT MAIN RISER.
 2. CONTRACTOR SHALL REMOVE ALL EXISTING GAS PIPING SERVING ROOF TOP HVAC EQUIPMENT. REMOVE GAS PIPING BACK TO ROOF PENETRATION. GAS RISER IN BUILDING SHALL REMAIN FOR REUSE. SEE HVAC PLANS FOR MORE INFORMATION.
 3. CONTRACTOR SHALL REMOVE GAS LINE SERVING DEMOLISHED FUME HOOD BACK TO GAS MAIN AND CAP AT MAIN.
 4. CONTRACTOR SHALL REMOVE ALL NATURAL GAS PIPING IN DEMOLISHED CABINETS BACK TO WALL FOR REUSE.



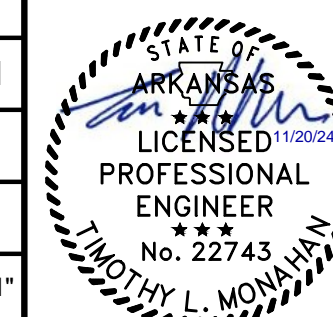
BUILDING RISER - DEMOLITION - GAS

GMP SUBMITTAL. DO NOT USE FOR CONSTRUCTION.

Autodesk_Docs\60711-001_Wilson_WTP_Rehab_Filter_Basins\60711-003-8000-AB-PLUM.rvt 11/18/2024 2:04:11 PM

REV	ISSUED FOR	DATE	BY

PROJECT MANAGER:	T. HUDSON
DESIGNED BY:	J. JOHNSON
DRAWN BY:	J. JOHNSON
PROJECT ENGINEER:	T. MONAHAN
IF THIS BAR DOES NOT MEASURE 1" THEN DRAWING IS NOT TO FULL SCALE	



Hazen
 HAZEN AND SAWYER
 8150 N. CENTRAL EXPRESSWAY
 TOWER II - SUITE 700
 DALLAS, TEXAS 75206

CENTRAL ARKANSAS WATER
 LITTLE ROCK, ARKANSAS

JACK H. WILSON WTP RENEWAL
 AND RESILIENCY PROJECT

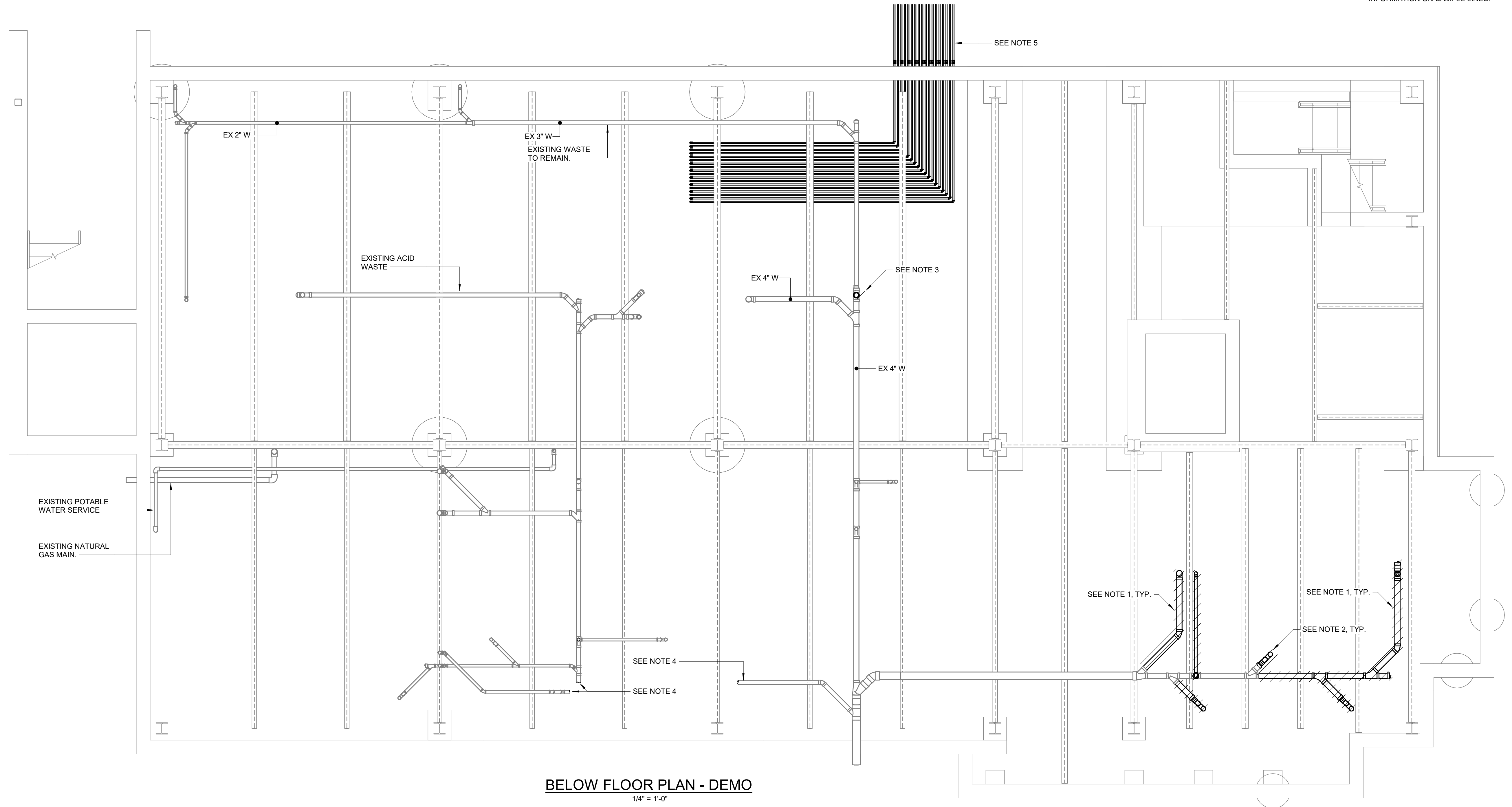
ADMINISTRATION BUILDING
 PLUMBING
 DEMOLITION RISER - GAS

DATE:	NOVEMBER 2024
HAZEN NO.:	60711-003
CONTRACT NO.:	1
DRAWING NUMBER:	P8002

PLANS BASED ON RECORD DRAWINGS.
CONTRACTOR SHALL FIELD VERIFY ALL
PIPE LOCATIONS AND CONNECTIONS.

EXISTING PIPE SHALL BE REMOVED AND
DEMOLISHED, AS SHOWN HATCHED.

- NOTES:**
1. CONTRACTOR SHALL REMOVE AND DEMOLISH EXISTING WASTE AND VENT PIPING AS SHOWN HATCHED.
 2. CONTRACTOR SHALL REMOVE AND DEMOLISH EXISTING DRAIN ABOVE, CAP PIPING BELOW FLOOR, AND FILL SLEEVE.
 3. CONTRACTOR SHALL REMOVE AND DEMOLISH EXISTING SERVICE SINK ABOVE, CAP PIPING BELOW FLOOR, AND FILL SLEEVE.
 4. ACID WASTE PIPING CONTINUES TO ACID DILUTION TANK.
 5. REFER TO PROCESS MECHANICAL DRAWINGS FOR MORE INFORMATION ON SAMPLE LINES.



BELOW FLOOR PLAN - DEMO
1/4" = 1'-0"

GMP SUBMITTAL. DO NOT USE FOR CONSTRUCTION.

Autodesk Docs/60711-001_Wilson_WTP_Rehab_Filter_Basins/60711-003-8000-AB-PLUM.rvt
11/18/2024 2:04:13 PM

REV	ISSUED FOR	DATE	BY

PROJECT MANAGER:	T. HUDSON
DESIGNED BY:	J. JOHNSON
DRAWN BY:	J. JOHNSON
PROJECT ENGINEER:	T. MONAHAN
IF THIS BAR DOES NOT MEASURE 1" THEN DRAWING IS NOT TO FULL SCALE	



Hazen

HAZEN AND SAWYER
8150 N. CENTRAL EXPRESSWAY
TOWER II - SUITE 700
DALLAS, TEXAS 75206

CENTRAL ARKANSAS WATER
LITTLE ROCK, ARKANSAS

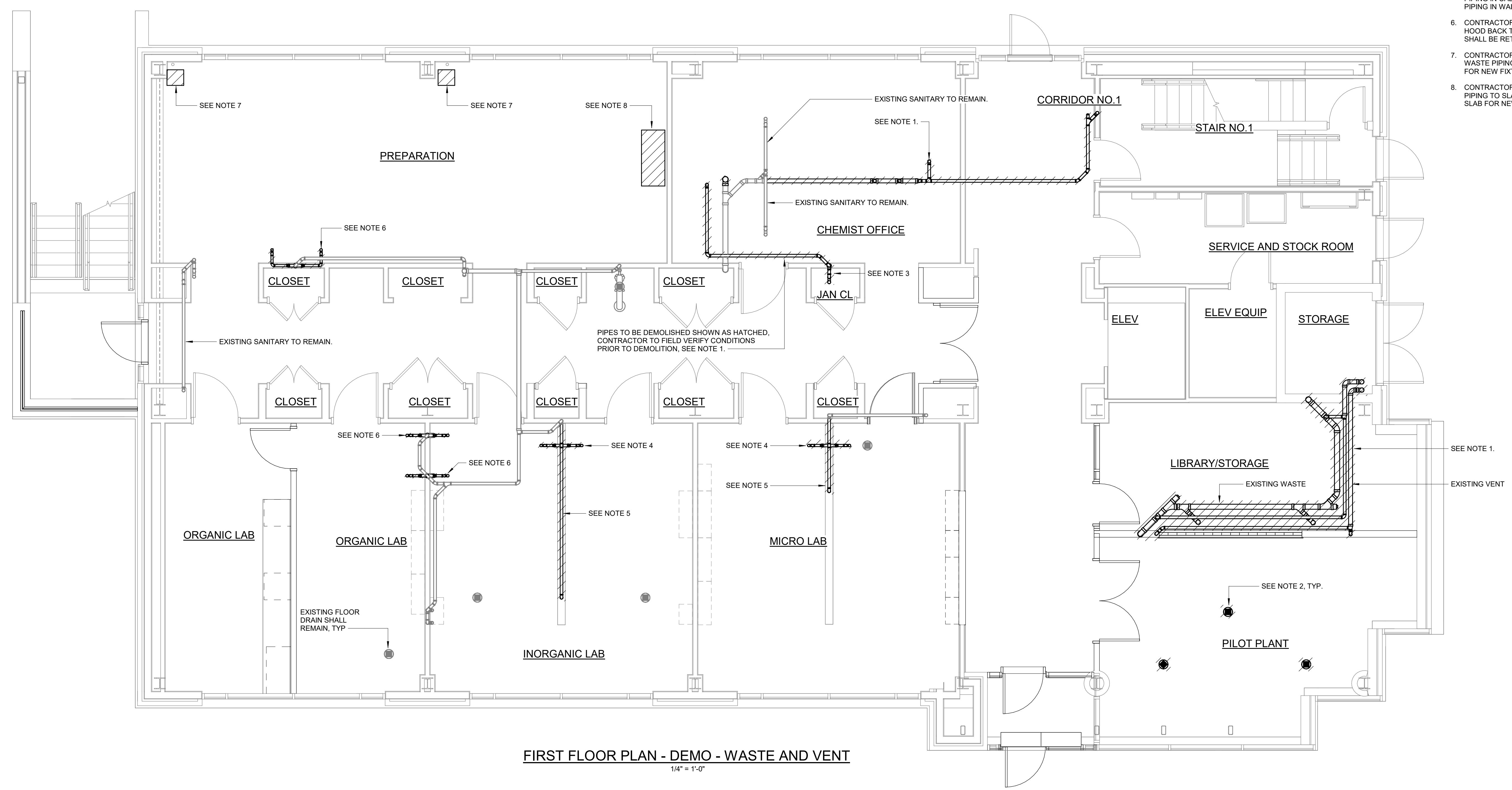
JACK H. WILSON WTP RENEWAL
AND RESILIENCY PROJECT

ADMINISTRATION BUILDING
PLUMBING
BELOW FLOOR PLAN - DEMOLITION - WASTE AND VENT

DATE:	NOVEMBER 2024
HAZEN NO.:	60711-003
CONTRACT NO.:	1
DRAWING NUMBER:	P8003

PLANS BASED ON RECORD DRAWINGS.
CONTRACTOR SHALL FIELD VERIFY ALL
PIPE LOCATIONS AND CONNECTIONS.
EXISTING PIPE SHALL BE REMOVED AND
DEMOLISHED, AS SHOWN HATCHED.

- NOTES:**
- CONTRACTOR SHALL REMOVE EXISTING WASTE AND VENT LINES. REFER TO SHEET P8010 FOR EXISTING PIPING TO BE REUSED. CAP ALL OTHER PIPING AT BRANCH.
 - CONTRACTOR SHALL REMOVE EXISTING FLOOR DRAIN. CAP ABANDONED PIPE BELOW FLOOR AND FILL SLEEVE.
 - CONTRACTOR SHALL REMOVE EXISTING SERVICE SINK. CONTRACTOR SHALL REMOVE EXISTING WASTE AND VENT PIPING BACK TO TEE. CAP AT TEE.
 - CONTRACTOR SHALL REMOVE LAB SINK AND ALL WASTE AND VENT PIPING ASSOCIATED WITH SINK. SEE NOTE 5 FOR MORE DETAILS ON REMOVAL OF WASTE PIPING.
 - CONTRACTOR SHALL REMOVE ALL WASTE AND VENT PIPING IN CABINETS. WASTE PIPING AT SLAB AND VENT PIPING IN WALL SHALL BE RETAINED FOR REUSE.
 - CONTRACTOR SHALL REMOVE WASTE PIPING FOR FUME HOOD BACK TO WALL. WASTE AND VENT PIPING IN WALL SHALL BE RETAINED FOR REUSE.
 - CONTRACTOR SHALL REMOVE EXISTING LAB SINK AND WASTE PIPING TO WALL. RETAIN VENT AND WASTE PIPING FOR NEW FIXTURE.
 - CONTRACTOR SHALL REMOVE SAMPLE SINK AND WASTE PIPING TO SLAB. RETAIN WASTE PIPING PIPING BELOW SLAB FOR NEW FIXTURE.



FIRST FLOOR PLAN - DEMO - WASTE AND VENT
1/4" = 1'-0"

GMP SUBMITTAL. DO NOT USE FOR CONSTRUCTION.

Autodesk_Docs\60711-001_Wilson_WTP_Rehab_Plan_Basement\60711-003-800-AB-PLUM.rvt
11/19/2024 2:04:15 PM

PROJECT MANAGER:	T. HUDSON
DESIGNED BY:	J. JOHNSON
DRAWN BY:	J. JOHNSON
PROJECT ENGINEER:	T. MONAHAN
IF THIS BAR DOES NOT MEASURE 1" THEN DRAWING IS NOT TO FULL SCALE	0 1/2" 1"



Hazen
HAZEN AND SAWYER
8150 N. CENTRAL EXPRESSWAY
TOWER II - SUITE 700
DALLAS, TEXAS 75206

CENTRAL ARKANSAS WATER
LITTLE ROCK, ARKANSAS

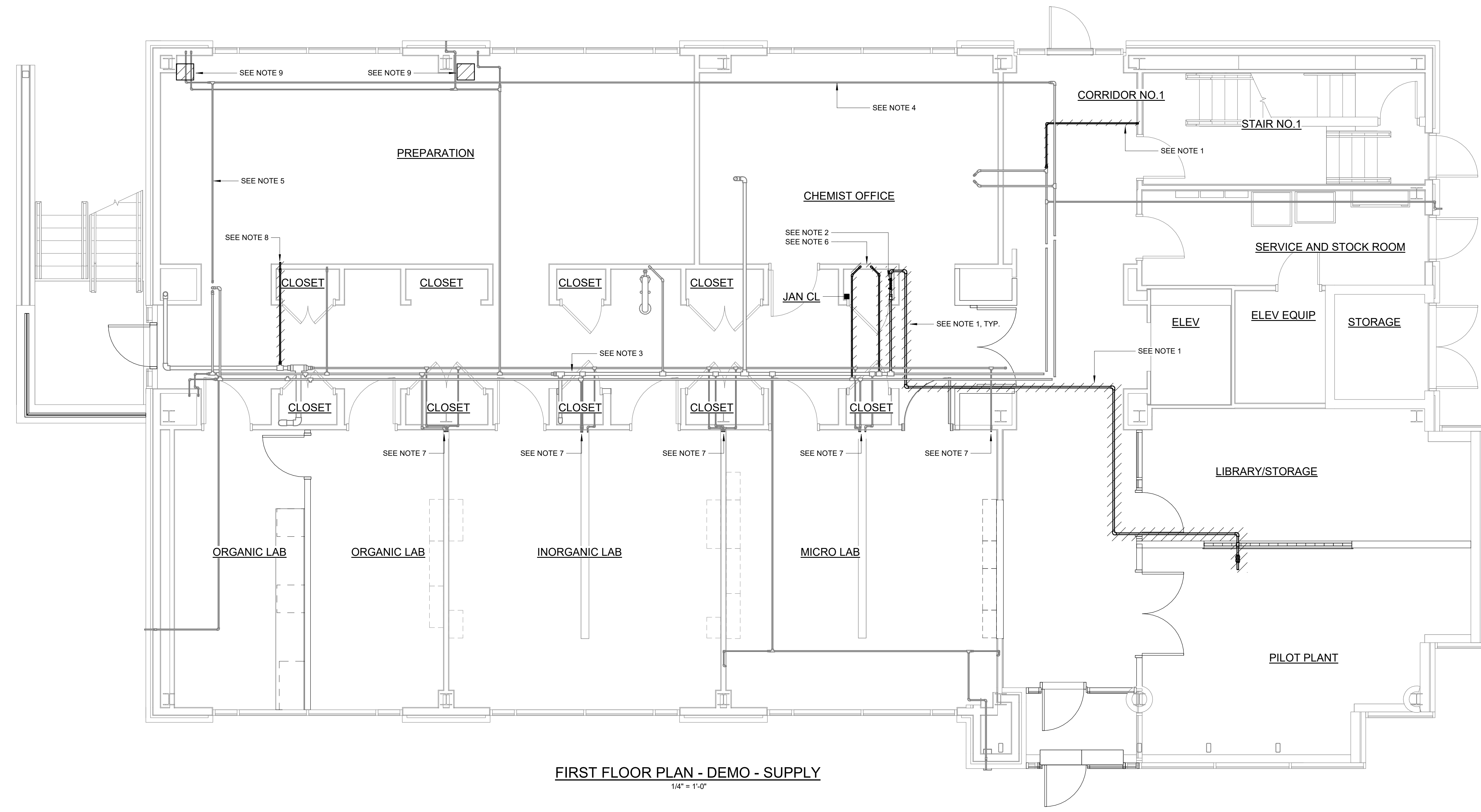
JACK H. WILSON WTP RENEWAL
AND RESILIENCY PROJECT

ADMINISTRATION BUILDING
PLUMBING
FIRST FLOOR PLAN - DEMOLITION - WASTE AND VENT

DATE:	NOVEMBER 2024
HAZEN NO.:	60711-003
CONTRACT NO.:	1
DRAWING NUMBER:	P8004

PLANS BASED ON RECORD DRAWINGS. CONTRACTOR SHALL FIELD VERIFY ALL PIPE LOCATIONS AND CONNECTIONS.
EXISTING PIPE SHALL BE REMOVED AND DEMOLISHED, AS SHOWN HATCHED.

- NOTES:**
- CONTRACTOR SHALL REMOVE EXISTING WATER LINES AS SHOWN HATCHED. WATER LINES SHALL BE CAPPED AT TEE.
 - CONTRACTOR SHALL REMOVE EXISTING BACKFLOW PREVENTER AND ALL WATER PIPING DOWNSTREAM. CONTRACTOR SHALL REMOVE UPSTREAM WATER PIPING BACK TO TEE, AS SHOWN HATCHED.
 - CONTRACTOR SHALL RETAIN EXISTING COLD WATER PIPING.
 - CONTRACTOR SHALL RETAIN EXISTING HOT WATER PIPING.
 - CONTRACTOR SHALL RETAIN EXISTING HOT WATER RETURN PIPING.
 - CONTRACTOR SHALL REMOVE EXISTING SERVICE SINK. CONTRACTOR SHALL REMOVE HOT AND COLD WATER PIPING SERVING SERVICE FAUCET BACK TO MAIN AND CAP AT TEE.
 - ALL WATER PIPING, GAS PIPING, AND COMPRESSED GAS PIPING IN CABINETS SHALL BE REMOVED BACK TO WALL BY THE CONTRACTOR. CONTRACTOR SHALL RETAIN PIPING IN WALL FOR REUSE. SEE P8015 FOR MORE INFORMATION.
 - CONTRACTOR SHALL REMOVE NATURAL GAS PIPING FOR EXISTING FUME HOOD. GAS PIPING SHALL BE REMOVED BACK TO GAS MAIN IN CORRIDOR AND CAPPED AT MAIN.
 - CONTRACTOR SHALL REMOVE EXISTING LAB SINK AND WATER PIPING TO WALL. RETAIN WATER PIPING IN WALL FOR NEW FIXTURE.



FIRST FLOOR PLAN - DEMO - SUPPLY
1/4" = 1'-0"

GMP SUBMITTAL. DO NOT USE FOR CONSTRUCTION.

Autodesk_Docs\60711-001_Wilson_WTP_Rehab_Plan_PLM.rvt 11/19/2024 2:04:17 PM

PROJECT MANAGER:	T. HUDSON		
DESIGNED BY:	J. JOHNSON		
DRAWN BY:	J. JOHNSON		
PROJECT ENGINEER:	T. MONAHAN		
IF THIS BAR DOES NOT MEASURE 1" THEN DRAWING IS NOT TO FULL SCALE	0 1/2" 1"		
REV	ISSUED FOR	DATE	BY



Hazen
HAZEN AND SAWYER
8150 N. CENTRAL EXPRESSWAY
TOWER II - SUITE 700
DALLAS, TEXAS 75206

CENTRAL ARKANSAS WATER
LITTLE ROCK, ARKANSAS
JACK H. WILSON WTP RENEWAL
AND RESILIENCY PROJECT

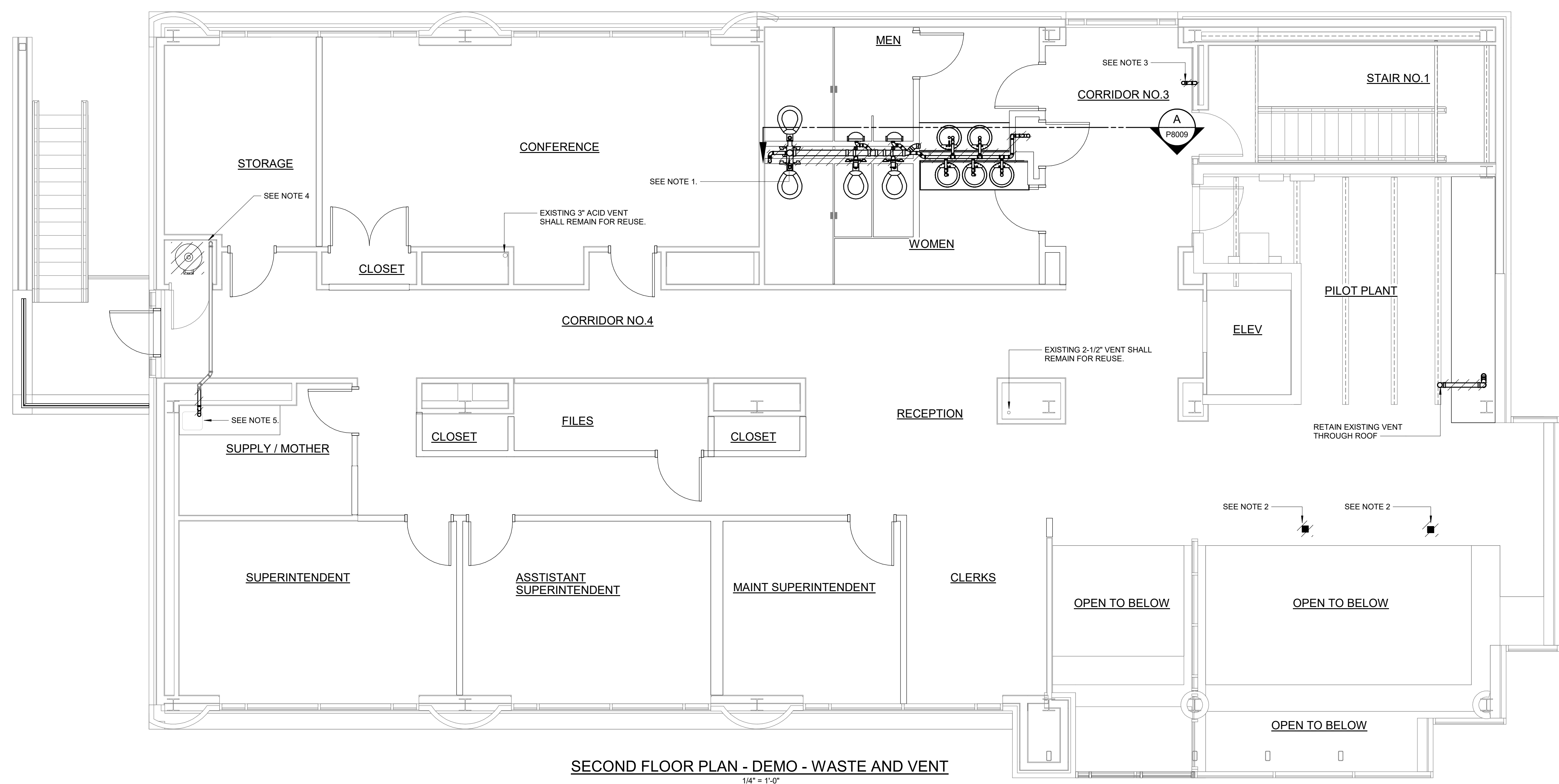
ADMINISTRATION BUILDING
PLUMBING
FIRST FLOOR PLAN - DEMOLITION - SUPPLY

DATE:	NOVEMBER 2024
HAZEN NO.:	60711-003
CONTRACT NO.:	1
DRAWING NUMBER:	P8005

PLANS BASED ON RECORD DRAWINGS.
CONTRACTOR SHALL FIELD VERIFY ALL
PIPE LOCATIONS AND CONNECTIONS.

EXISTING PIPE SHALL BE REMOVED AND
DEMOLISHED, AS SHOWN HATCHED.

- NOTES:**
- CONTRACTOR SHALL REMOVE EXISTING WATER CLOSETS, URINALS, LAVATORIES, AND SERVICE SINK. CONTRACTOR SHALL REMOVE ALL WALL CARRIERS, WASTE AND VENT PIPING ASSOCIATED WITH THESE FIXTURES. CONTRACTOR SHALL RETAIN 4" VENT THRU ROOF FOR REUSE.
 - CONTRACTOR SHALL REMOVE EXISTING FLOOR DRAIN AND FILL. SEE P8004 FOR WASTE PIPING REMOVED.
 - CONTRACTOR SHALL REMOVE EXISTING DRINKING FOUNTAIN. CONTRACTOR SHALL REMOVE EXISTING WASTE AND VENT PIPING. CONTRACTOR SHALL SEAL VENT ROOF PENETRATION.
 - CONTRACTOR SHALL REMOVE EXISTING GAS WATER HEATER AND EXISTING FLUE. CONTRACTOR SHALL SEAL PENETRATION LEFT BY FLUE. SEE P8007 FOR MORE INFORMATION ON WATER HEATER DEMOLITION.
 - CONTRACTOR SHALL REMOVE EXISTING SINK AND FAUCET. CONTRACTOR SHALL REMOVE WASTE TO TEE. CONTRACTOR SHALL RETAIN WASTE AND VENT FOR NEW CONSTRUCTION.



SECOND FLOOR PLAN - DEMO - WASTE AND VENT
1/4" = 1'-0"

GMP SUBMITTAL. DO NOT USE FOR CONSTRUCTION.

Autodesk_Docs\60711-001_Wilson_WTP_Renewal_Plan_P8006-AB-PLUM.rvt 11/19/2024 2:04:18 PM

PROJECT MANAGER:	T. HUDSON		
DESIGNED BY:	J. JOHNSON		
DRAWN BY:	J. JOHNSON		
PROJECT ENGINEER:	T. MONAHAN		
IF THIS BAR DOES NOT MEASURE 1" THEN DRAWING IS NOT TO FULL SCALE	0 1/2" 1"		
REV	ISSUED FOR	DATE	BY



Hazen
HAZEN AND SAWYER
8150 N. CENTRAL EXPRESSWAY
TOWER II - SUITE 700
DALLAS, TEXAS 75206

CENTRAL ARKANSAS WATER
LITTLE ROCK, ARKANSAS

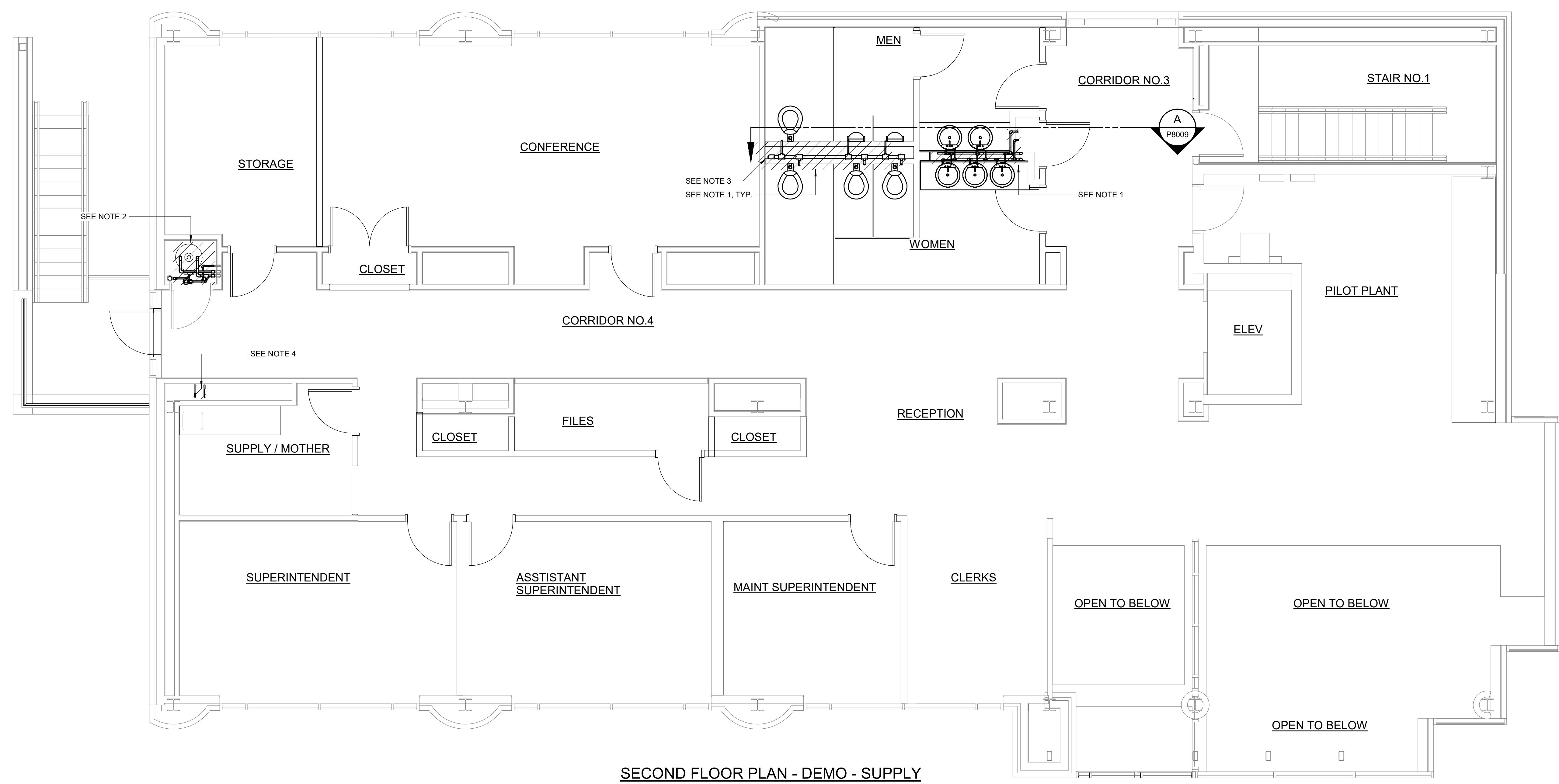
JACK H. WILSON WTP RENEWAL
AND RESILIENCY PROJECT

ADMINISTRATION BUILDING
PLUMBING
SECOND FLOOR PLAN - DEMOLITION - WASTE AND VENT

DATE:	NOVEMBER 2024
HAZEN NO.:	60711-003
CONTRACT NO.:	1
DRAWING NUMBER:	P8006

PLANS BASED ON RECORD DRAWINGS.
 CONTRACTOR SHALL FIELD VERIFY ALL
 PIPE LOCATIONS AND CONNECTIONS.
 EXISTING PIPE SHALL BE REMOVED AND
 DEMOLISHED, AS SHOWN HATCHED.

- NOTES:**
1. CONTRACTOR SHALL EXISTING WATER CLOSETS, URINALS, LAVATORIES, AND SERVICE SINK. REMOVE EXISTING HOT AND COLD WATER ASSOCIATED WITH THESE FIXTURES.
 2. WATER HEATER AND SUPPORTING EQUIPMENT TO BE REPLACED. CONTRACTOR SHALL REMOVE HOT, COLD AND HOT WATER RETURN PIPING TO WALL FOR REUSE. CONTRACTOR SHALL REMOVE GAS PIPING AND CAP AT MAIN.
 3. CONTRACTOR SHALL RETAIN 2-1/2" COLD WATER THROUGH FLOOR FOR REUSE. SEE P8017 FOR REUSE.
 4. CONTRACTOR SHALL REMOVE EXISTING SINK AND FAUCET. CONTRACTOR SHALL REMOVE WATER PIPING TO VERTICAL RISER. CONTRACTOR SHALL RETAIN WATER PIPING THROUGH FLOOR FOR NEW CONSTRUCTION.



SECOND FLOOR PLAN - DEMO - SUPPLY
 1/4" = 1'-0"

GMP SUBMITTAL. DO NOT USE FOR CONSTRUCTION.

Autodesk Docs\60711-001_Wilson_WTP_Rehab_Plan_P8007-AB-PLUM.rvt
 11/20/24 2:04:13 PM

REV	ISSUED FOR	DATE	BY

PROJECT MANAGER:	T. HUDSON
DESIGNED BY:	J. JOHNSON
DRAWN BY:	J. JOHNSON
PROJECT ENGINEER:	T. MONAHAN
IF THIS BAR DOES NOT MEASURE 1" THEN DRAWING IS NOT TO FULL SCALE	



Hazen
 HAZEN AND SAWYER
 8150 N. CENTRAL EXPRESSWAY
 TOWER II - SUITE 700
 DALLAS, TEXAS 75206

CENTRAL ARKANSAS WATER
 LITTLE ROCK, ARKANSAS
 JACK H. WILSON WTP RENEWAL
 AND RESILIENCY PROJECT

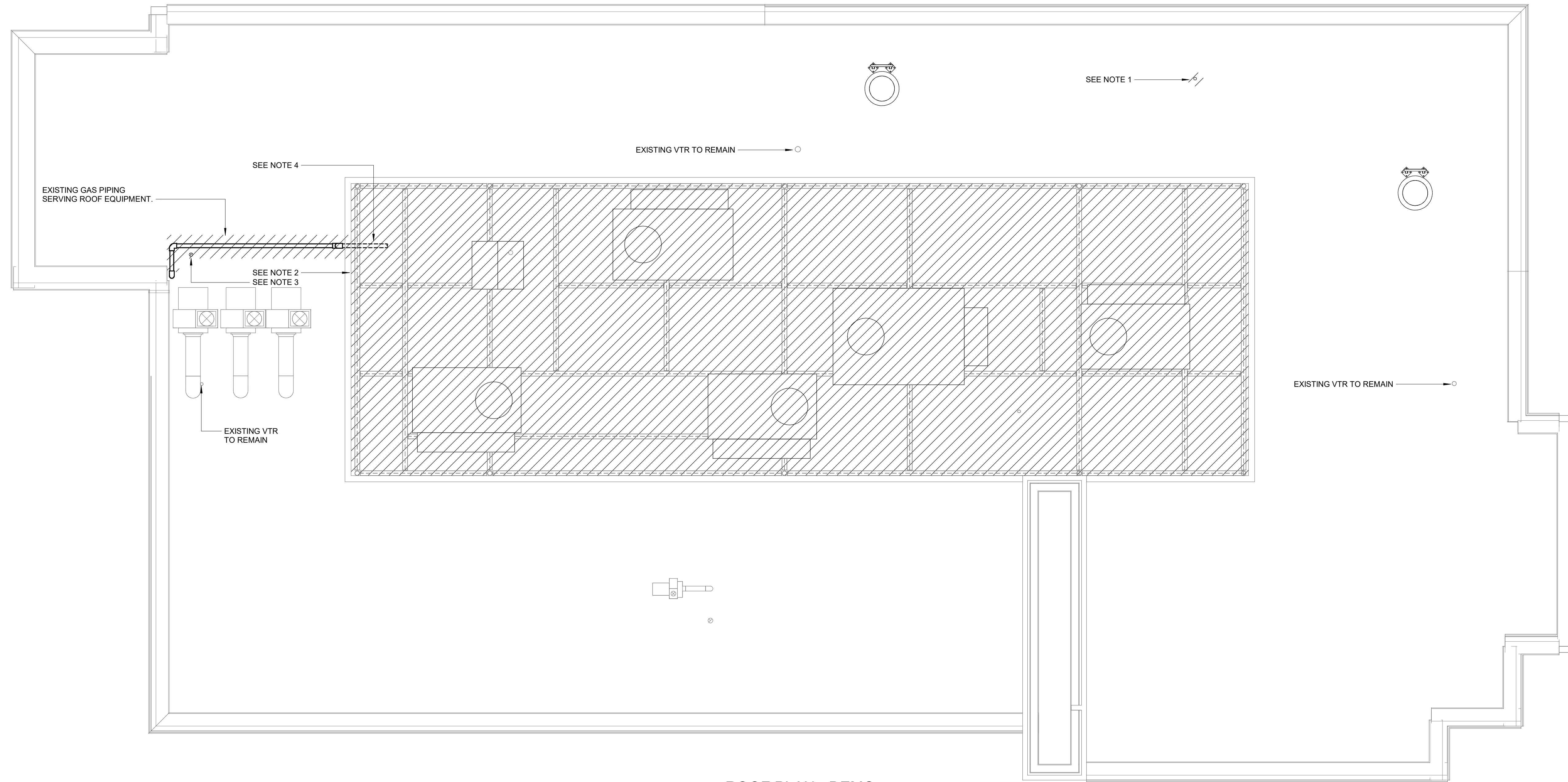
ADMINISTRATION BUILDING
 PLUMBING
 SECOND FLOOR PLAN - DEMOLITION - SUPPLY

DATE:	NOVEMBER 2024
HAZEN NO.:	60711-003
CONTRACT NO.:	1
DRAWING NUMBER:	P8007

PLANS BASED ON RECORD DRAWINGS.
CONTRACTOR SHALL FIELD VERIFY ALL
PIPE LOCATIONS AND CONNECTIONS.
EXISTING PIPE SHALL BE REMOVED AND
DEMOLISHED, AS SHOWN HATCHED.

NOTES:

1. CONTRACTOR SHALL REMOVE VENT THROUGH ROOF AND SEAL ROOF PENETRATION.
2. CONTRACTOR SHALL REMOVE ALL EXISTING GAS PIPING SERVING ROOFTOP HVAC EQUIPMENT. REMOVE GAS PIPING BACK TO ROOF PENETRATION. GAS RISER IN BUILDING SHALL REMAIN FOR REUSE. SEE HVAC PLANS FOR MORE INFORMATION.
3. CONTRACTOR SHALL REMOVE EXISTING WATER HEATER FLUE AND SEAL ROOF PENETRATION.
4. NATURAL GAS PIPING CONTINUES TO HVAC EQUIPMENT.



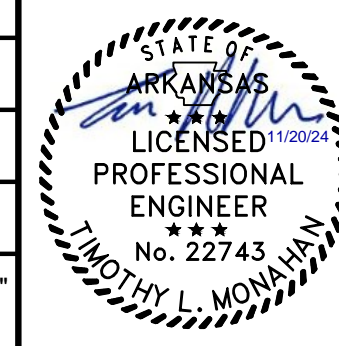
ROOF PLAN - DEMO
1/4" = 1'-0"

GMP SUBMITTAL. DO NOT USE FOR CONSTRUCTION.

Autodesk_DocSet/60711-001_Wilson_WTP_Rehab_Filter_Basin/60711-003-800-AB-PLUM.rvt 11/18/2024 2:24:20 PM

REV	ISSUED FOR	DATE	BY

PROJECT MANAGER:	T. HUDSON
DESIGNED BY:	J. JOHNSON
DRAWN BY:	J. JOHNSON
PROJECT ENGINEER:	T. MONAHAN
IF THIS BAR DOES NOT MEASURE 1" THEN DRAWING IS NOT TO FULL SCALE	



Hazen
HAZEN AND SAWYER
8150 N. CENTRAL EXPRESSWAY
TOWER II - SUITE 700
DALLAS, TEXAS 75206

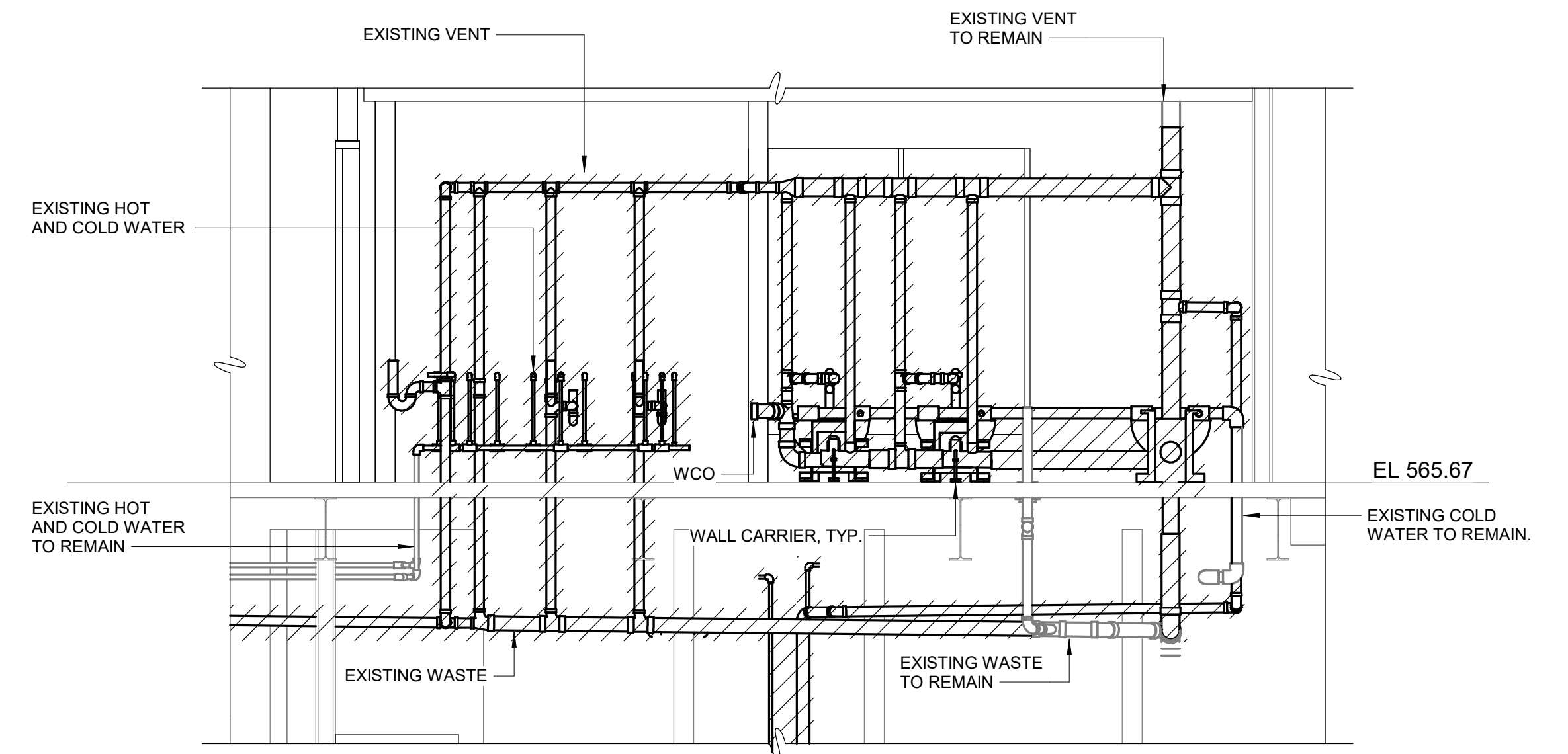
CENTRAL ARKANSAS WATER
LITTLE ROCK, ARKANSAS

JACK H. WILSON WTP RENEWAL
AND RESILIENCY PROJECT

ADMINISTRATION BUILDING
PLUMBING
ROOF PLAN - DEMOLITION

DATE:	NOVEMBER 2024
HAZEN NO.:	60711-003
CONTRACT NO.:	1
DRAWING NUMBER:	P8008

PLANS BASED ON RECORD DRAWINGS.
 CONTRACTOR SHALL FIELD VERIFY ALL
 PIPE LOCATIONS AND CONNECTIONS.
 EXISTING PIPE SHALL BE REMOVED AND
 DEMOLISHED, AS SHOWN HATCHED.



SECTION A
 3/8" = 1'-0" P8006

GMP SUBMITTAL. DO NOT USE FOR CONSTRUCTION.

Autodesk Docs\60711-001_Wilson_WTP_Rehab_Filter_Basin\60711-003-8000-AB-PLUM.rvt
 11/19/2024 2:24:21 PM

REV	ISSUED FOR	DATE	BY

PROJECT MANAGER:	T. HUDSON
DESIGNED BY:	J. JOHNSON
DRAWN BY:	J. JOHNSON
PROJECT ENGINEER:	T. MONAHAN
IF THIS BAR DOES NOT MEASURE 1" THEN DRAWING IS NOT TO FULL SCALE	

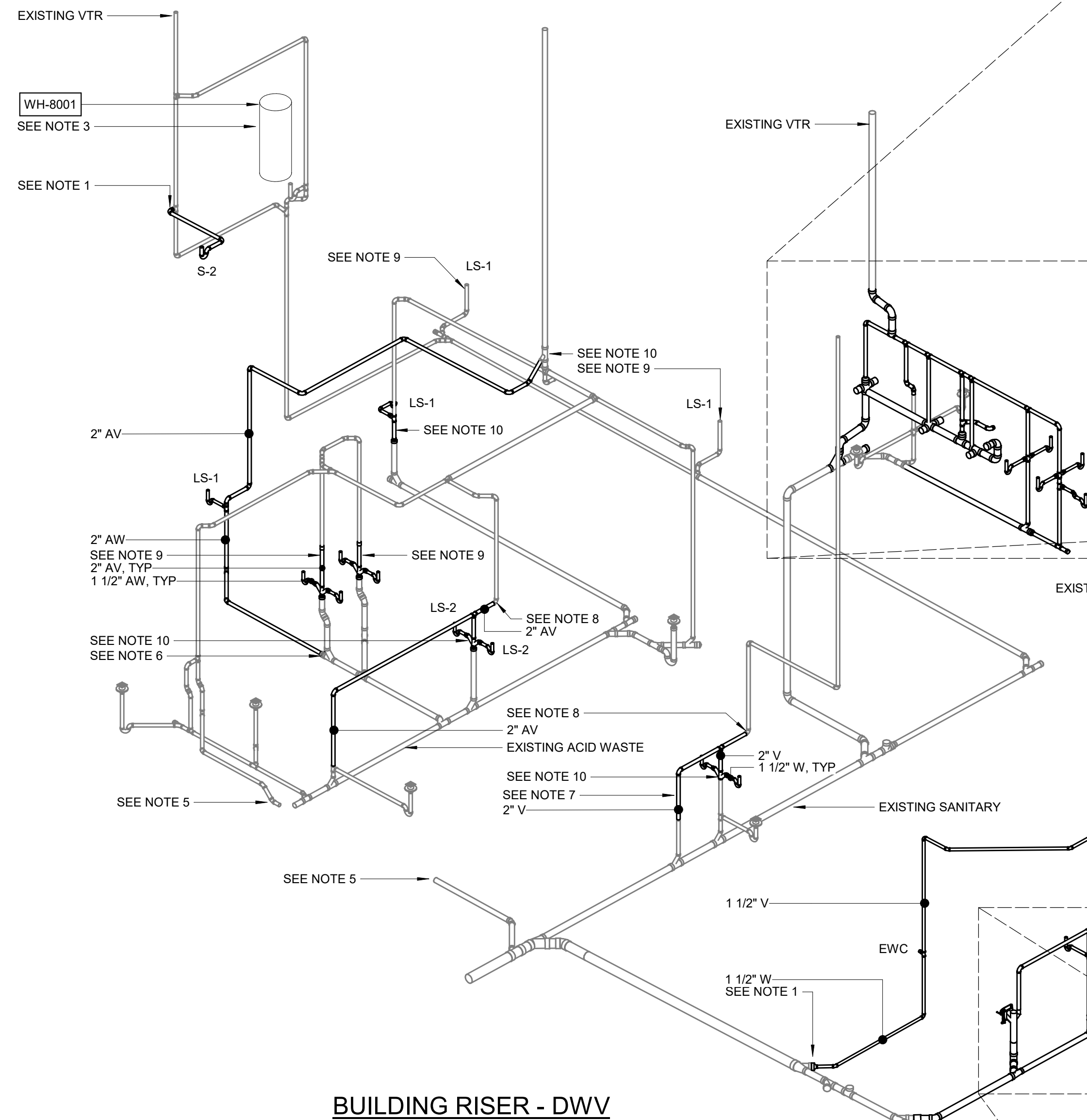


Hazen
 HAZEN AND SAWYER
 8150 N. CENTRAL EXPRESSWAY
 TOWER II - SUITE 700
 DALLAS, TEXAS 75206

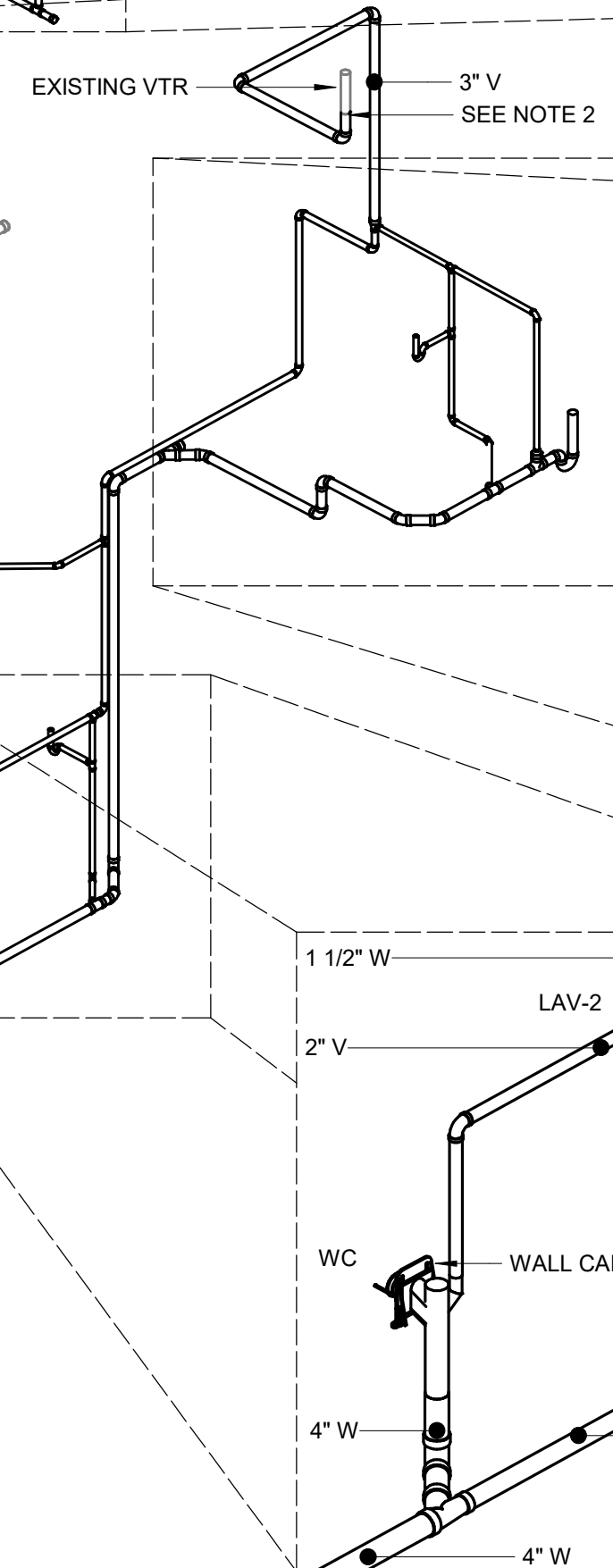
CENTRAL ARKANSAS WATER
 LITTLE ROCK, ARKANSAS
 JACK H. WILSON WTP RENEWAL
 AND RESILIENCY PROJECT

ADMINISTRATION BUILDING
 PLUMBING
 DEMOLITION SECTIONS

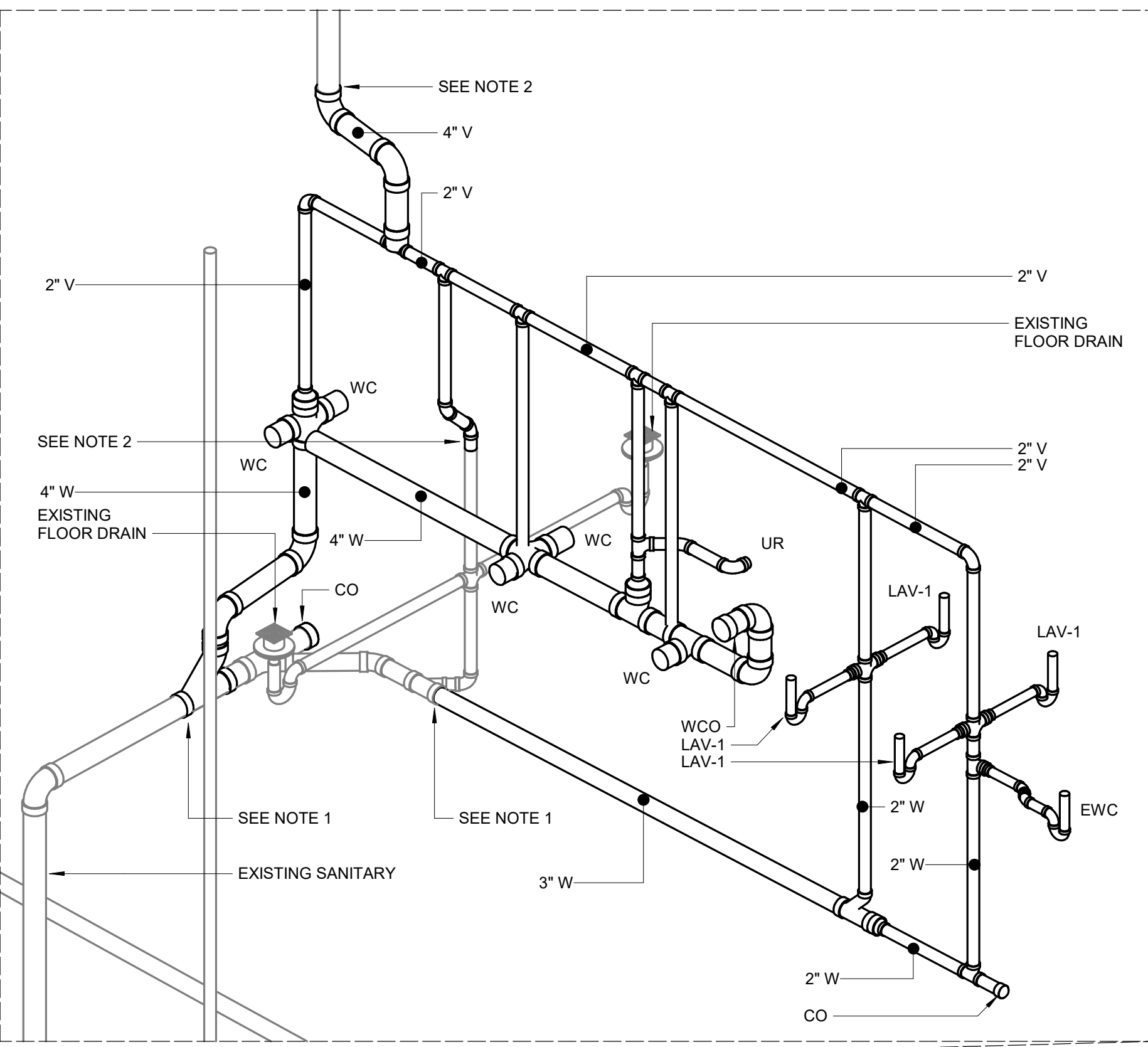
DATE:	NOVEMBER 2024
HAZEN NO.:	60711-003
CONTRACT NO.:	1
DRAWING NUMBER:	P8009



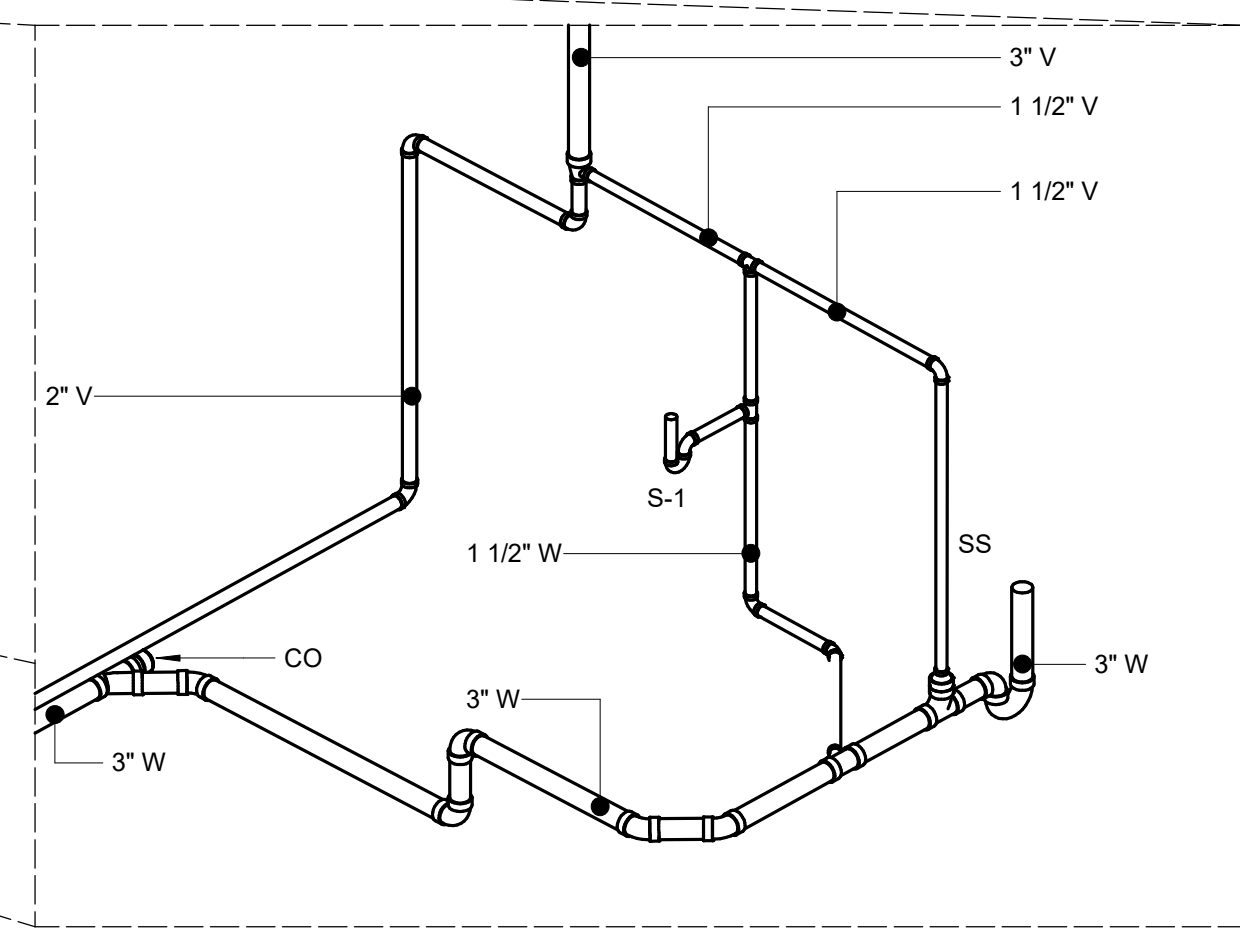
BUILDING RISER - DWV



LEVEL 1 RESTROOM - DWV



LEVEL 2 RESTROOMS - DWV



LEVEL 2 BREAK ROOM AND MOP SINK - DWV

- NOTES:**
1. CONTRACTOR SHALL CONNECT NEW WASTE PIPING TO EXISTING WASTE PIPING.
 2. CONTRACTOR SHALL CONNECT NEW VENT PIPING TO EXISTING VENT PIPING.
 3. REFER TO SHEET P8019 FOR MORE INFORMATION ON WATER HEATER INSTALLATION.
 4. REFER TO SHEET P0003 FOR WASTE AND VENT SIZES OF INDIVIDUAL FIXTURES.
 5. ACID WASTE PIPING CONTINUES TO ACID DILUTION TANK.
 6. CONTRACTOR SHALL CONNECT NEW ACID WASTE PIPING TO EXISTING WASTE PIPING.
 7. CONTRACTOR SHALL PROVIDE NEW VENT PIPING FOR PIPING DEMOLISHED WITH CABINETS.
 8. CONTRACTOR SHALL CONNECT NEW 2" VENT TO EXISTING 2" VENT IN WALL.
 9. CONTRACTOR SHALL CONNECT NEW WASTE PIPING FOR FUME HOOD TO EXISTING WASTE AND VENT PIPING IN WALL FROM DEMOLISHED FUME HOOD.
 10. CONTRACTOR SHALL REPLACE EXISTING SINK. CONTRACTOR SHALL DISCONNECT EXISTING SANITARY AND VENT AND RECONNECT TO NEW FIXTURE. REFER TO ARCHITECTURAL FOR MORE INFORMATION ON MASONRY.
 11. CONTRACTOR SHALL CONNECT NEW LAB SINK WASTE AND VENT PIPING TO EXISTING WASTE AND VENT PIPING IN WALL FROM DEMOLISHED FUME HOOD.
 12. CONTRACTOR SHALL CONNECT NEW 2" ACID VENT TO EXISTING 3" ACID VENT STACK.

GMP SUBMITTAL. DO NOT USE FOR CONSTRUCTION.

Autodesk_DWG/P8011-001_Wilson_WTP_Rehab_Plan_P8011-003-8000-AB-PLUM.rvt 11/19/2024 2:24:23 PM

REV	ISSUED FOR	DATE	BY

PROJECT MANAGER:	T. HUDSON
DESIGNED BY:	J. JOHNSON
DRAWN BY:	J. JOHNSON
PROJECT ENGINEER:	T. MONAHAN
IF THIS BAR DOES NOT MEASURE 1" THEN DRAWING IS NOT TO FULL SCALE	



Hazen
 HAZEN AND SAWYER
 8150 N. CENTRAL EXPRESSWAY
 TOWER II - SUITE 700
 DALLAS, TEXAS 75206

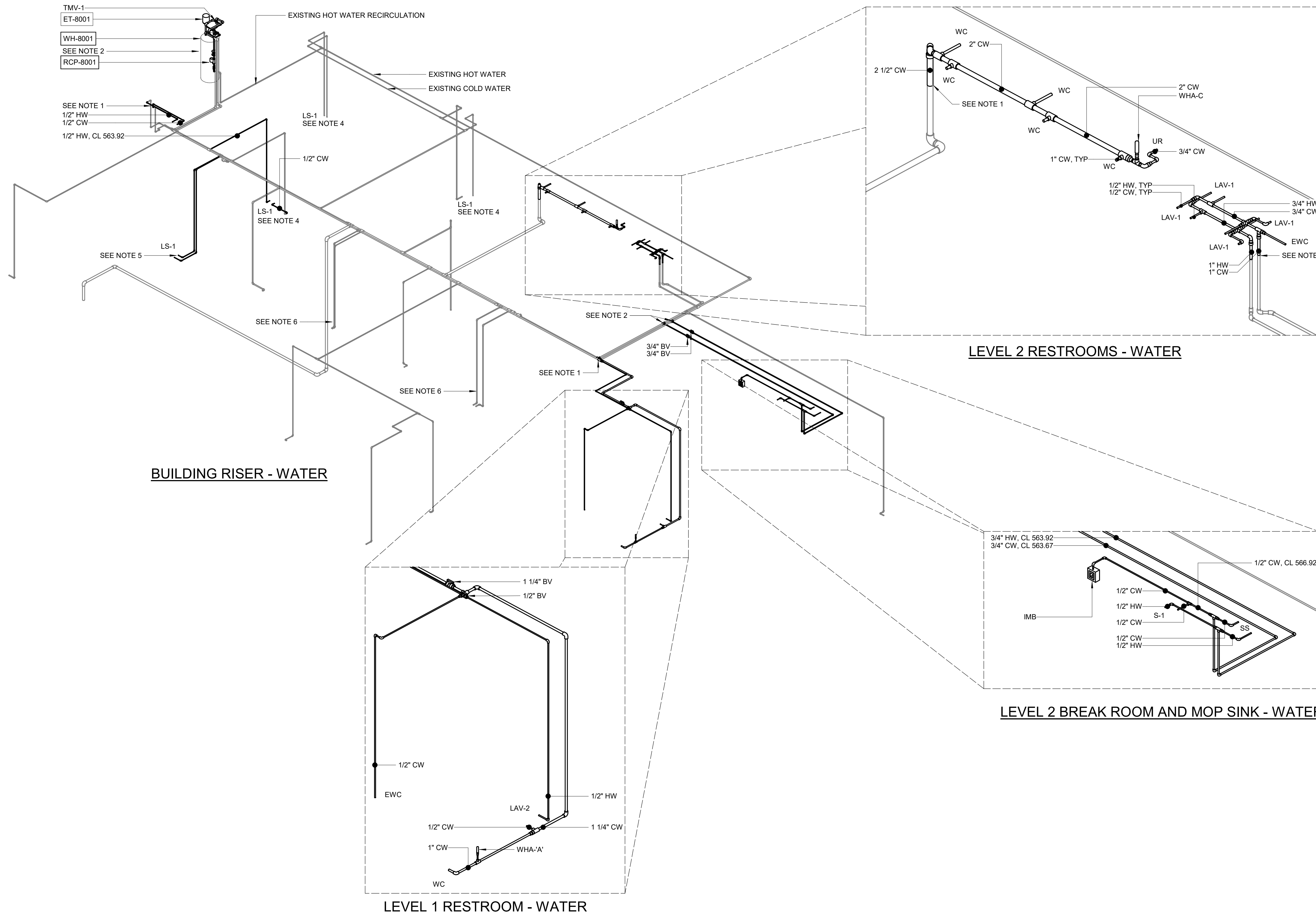
CENTRAL ARKANSAS WATER
 LITTLE ROCK, ARKANSAS
 JACK H. WILSON WTP RENEWAL
 AND RESILIENCY PROJECT

ADMINISTRATION BUILDING
 PLUMBING
 BUILDING RISER - DWV

DATE:	NOVEMBER 2024
HAZEN NO.:	60711-003
CONTRACT NO.:	1
DRAWING NUMBER:	P8010

NOTES:

1. CONTRACTOR SHALL CONNECT NEW WATER PIPING TO EXISTING WATER PIPING.
2. REFER TO SHEET P8019 FOR MORE INFORMATION ON WATER HEATER INSTALLATION.
3. REFER TO SHEET P0003 FOR WATER CONNECTION SIZES OF INDIVIDUAL FIXTURES.
4. CONTRACTOR SHALL CONNECT NEW 1/2" HOT AND COLD WATER LINES TO EXISTING WATER LINES IN WALL. CONTRACTOR SHALL ROUTE NEW WATER LINES TO NEW LAB SINKS.
5. CONTRACTOR SHALL PROVIDE NEW 1/2" HW AND 1/2" CW PIPING FOR LAB SINK. NEW PIPING SHALL CONNECT TO EXISTING MAINS IN CORRIDOR.
6. CONTRACTOR SHALL SUPPLY NEW LAB SINKS WITH EXISTING HOT AND COLD WATER LINES IN WALL. ROUTE WATER LINES THROUGH NEW CABINETS.



BUILDING RISER - WATER

LEVEL 2 RESTROOMS - WATER

LEVEL 2 BREAK ROOM AND MOP SINK - WATER

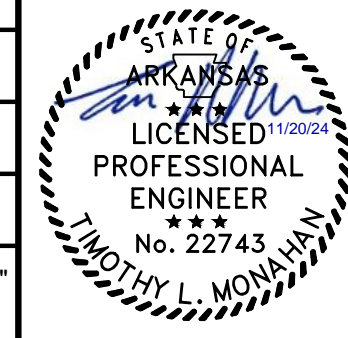
LEVEL 1 RESTROOM - WATER

GMP SUBMITTAL. DO NOT USE FOR CONSTRUCTION.

Autodesk_DocSet(60711-001_Wilson_WTP_Rehab_Plan_PLM.rvt 11/18/2024 2:24:23 PM

REV	ISSUED FOR	DATE	BY

PROJECT MANAGER:	T. HUDSON
DESIGNED BY:	J. JOHNSON
DRAWN BY:	J. JOHNSON
PROJECT ENGINEER:	T. MONAHAN
IF THIS BAR DOES NOT MEASURE 1" THEN DRAWING IS NOT TO FULL SCALE	



Hazen
 HAZEN AND SAWYER
 8150 N. CENTRAL EXPRESSWAY
 TOWER II - SUITE 700
 DALLAS, TEXAS 75206

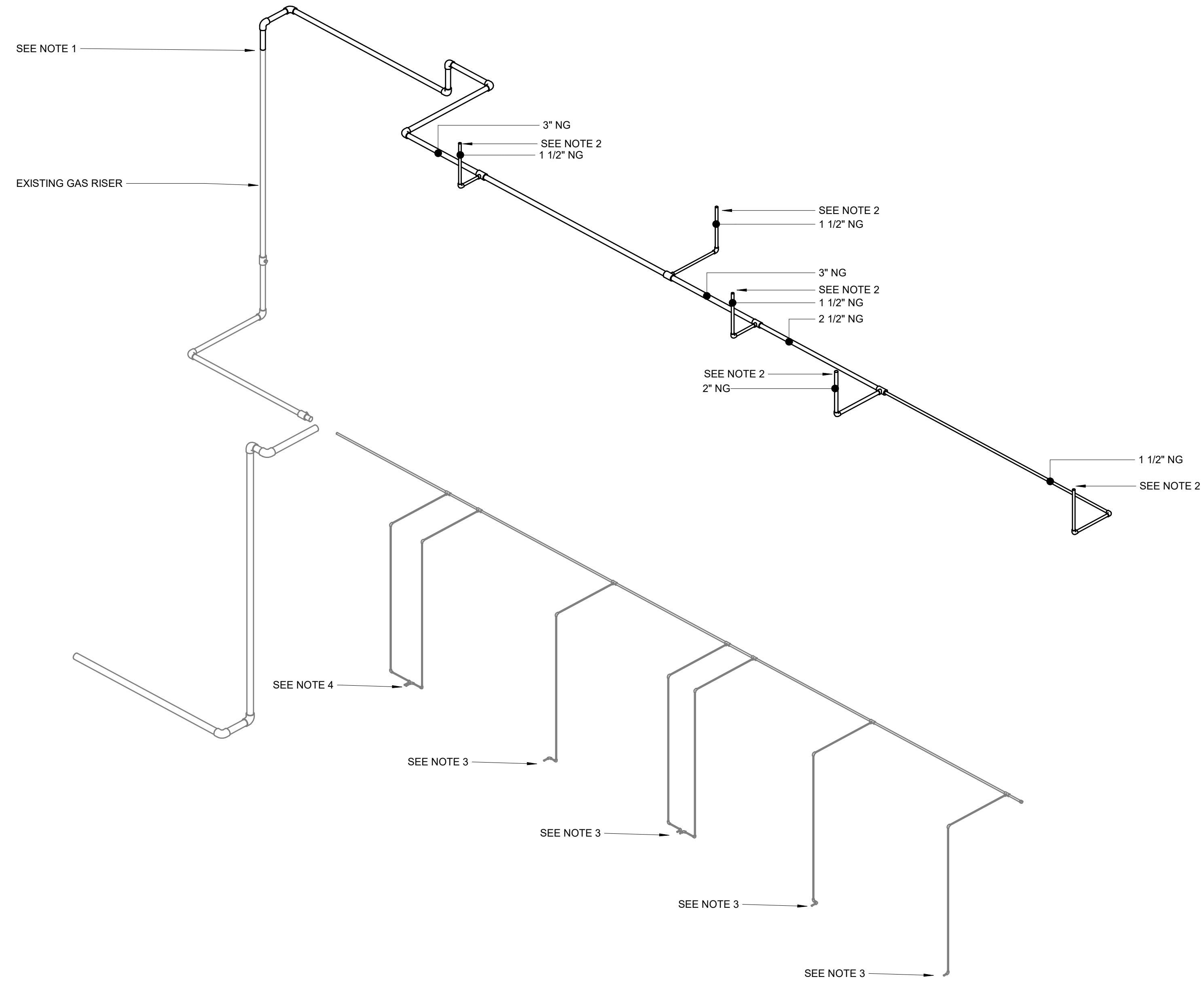
CENTRAL ARKANSAS WATER
 LITTLE ROCK, ARKANSAS
 JACK H. WILSON WTP RENEWAL
 AND RESILIENCY PROJECT

ADMINISTRATION BUILDING
 PLUMBING
 BUILDING RISER - WATER

DATE:	NOVEMBER 2024
HAZEN NO.:	60711-003
CONTRACT NO.:	1
DRAWING NUMBER:	P8011

NOTES:

1. CONNECT NEW GAS PIPING TO EXISTING GAS PIPING.
2. GAS BRANCH TO ROOFTOP HVAC EQUIPMENT. SEE DETAIL P-22-0107 ON SHEET PD2. REFER TO MANUFACTURER'S INSTRUCTIONS FOR CONNECTION SIZE AND REGULATOR SET POINT.
3. CONTRACTOR SHALL PROVIDE NEW 1/2" GAS LINE IN CABINET TO SERRATED HOSE CONNECTION ON NEW CABINETS.
4. CONTRACTOR SHALL PROVIDE NEW 3/4" GAS LINE TO NEW FUME HOOD.



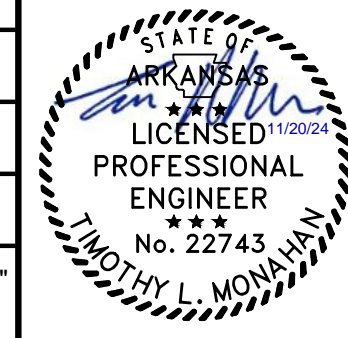
BUILDING RISER - GAS

GMP SUBMITTAL. DO NOT USE FOR CONSTRUCTION.

Autodesk_Docs\60711-001_Wilson_WTP_Rehab_Filter_Basins\60711-003-8000-AB-PLUM.rvt 11/18/2024 2:24:24 PM

REV	ISSUED FOR	DATE	BY

PROJECT MANAGER:	T. HUDSON
DESIGNED BY:	J. JOHNSON
DRAWN BY:	J. JOHNSON
PROJECT ENGINEER:	T. MONAHAN
IF THIS BAR DOES NOT MEASURE 1" THEN DRAWING IS NOT TO FULL SCALE	



Hazen
 HAZEN AND SAWYER
 8150 N. CENTRAL EXPRESSWAY
 TOWER II - SUITE 700
 DALLAS, TEXAS 75206

CENTRAL ARKANSAS WATER
 LITTLE ROCK, ARKANSAS

JACK H. WILSON WTP RENEWAL
 AND RESILIENCY PROJECT

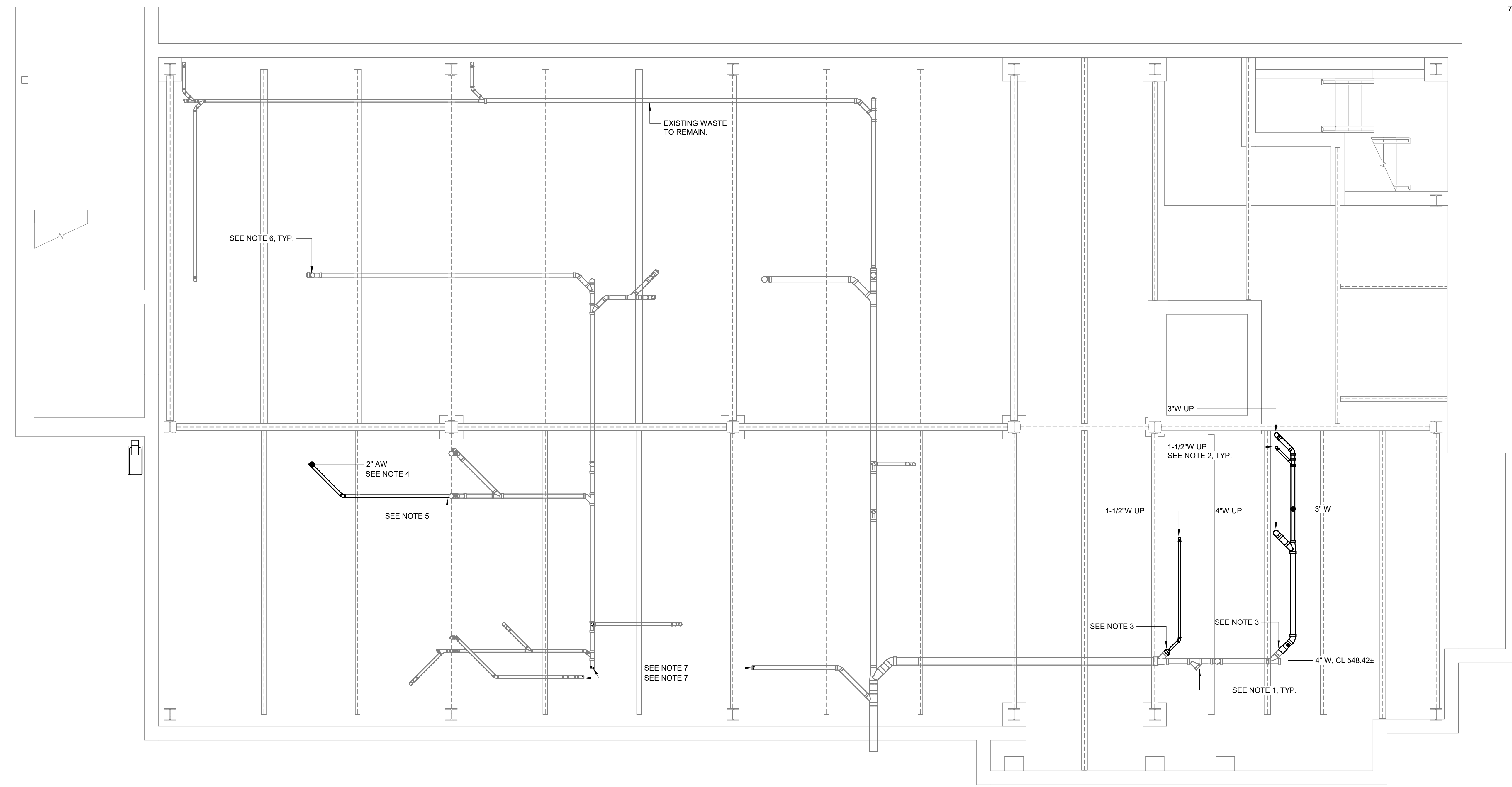
ADMINISTRATION BUILDING
 PLUMBING
 BUILDING RISER - GAS

DATE:	NOVEMBER 2024
HAZEN NO.:	60711-003
CONTRACT NO.:	1
DRAWING NUMBER:	P8012

PLANS BASED ON RECORD DRAWINGS.
CONTRACTOR SHALL FIELD VERIFY ALL
PIPE LOCATIONS AND CONNECTIONS.

NOTES:

1. CONTRACTOR SHALL CAP ALL TEES FOR PIPING REMOVED.
2. WASTE UP TO P8014.
3. CONTRACTOR SHALL CONNECT NEW WASTE PIPING TO EXISTING WASTE PIPING.
4. ACID WASTE UP TO P8014.
5. CONTRACTOR SHALL CONNECT NEW ACID WASTE PIPING TO EXISTING WASTE PIPING.
6. EXISTING ACID WASTE SHALL REMAIN FOR CONNECTION TO NEW FIXTURE. SEE P8014 FOR NEW FIXTURES.
7. ACID WASTE PIPING CONTINUES TO ACID DILUTION TANK.



BELOW FLOOR PLAN - WASTE AND VENT
1/4" = 1'-0"

GMP SUBMITTAL. DO NOT USE FOR CONSTRUCTION.

Autodesk_DocSet/60711-001_Wilson_WTP_Rehab_Plan_Basem60711-003-800-AB-PLUM.rvt
11/18/2024 2:04:24 PM

REV	ISSUED FOR	DATE	BY

PROJECT MANAGER:	T. HUDSON
DESIGNED BY:	J. JOHNSON
DRAWN BY:	J. JOHNSON
PROJECT ENGINEER:	T. MONAHAN
IF THIS BAR DOES NOT MEASURE 1" THEN DRAWING IS NOT TO FULL SCALE	



Hazen
HAZEN AND SAWYER
8150 N. CENTRAL EXPRESSWAY
TOWER II - SUITE 700
DALLAS, TEXAS 75206

CENTRAL ARKANSAS WATER
LITTLE ROCK, ARKANSAS

JACK H. WILSON WTP RENEWAL
AND RESILIENCY PROJECT

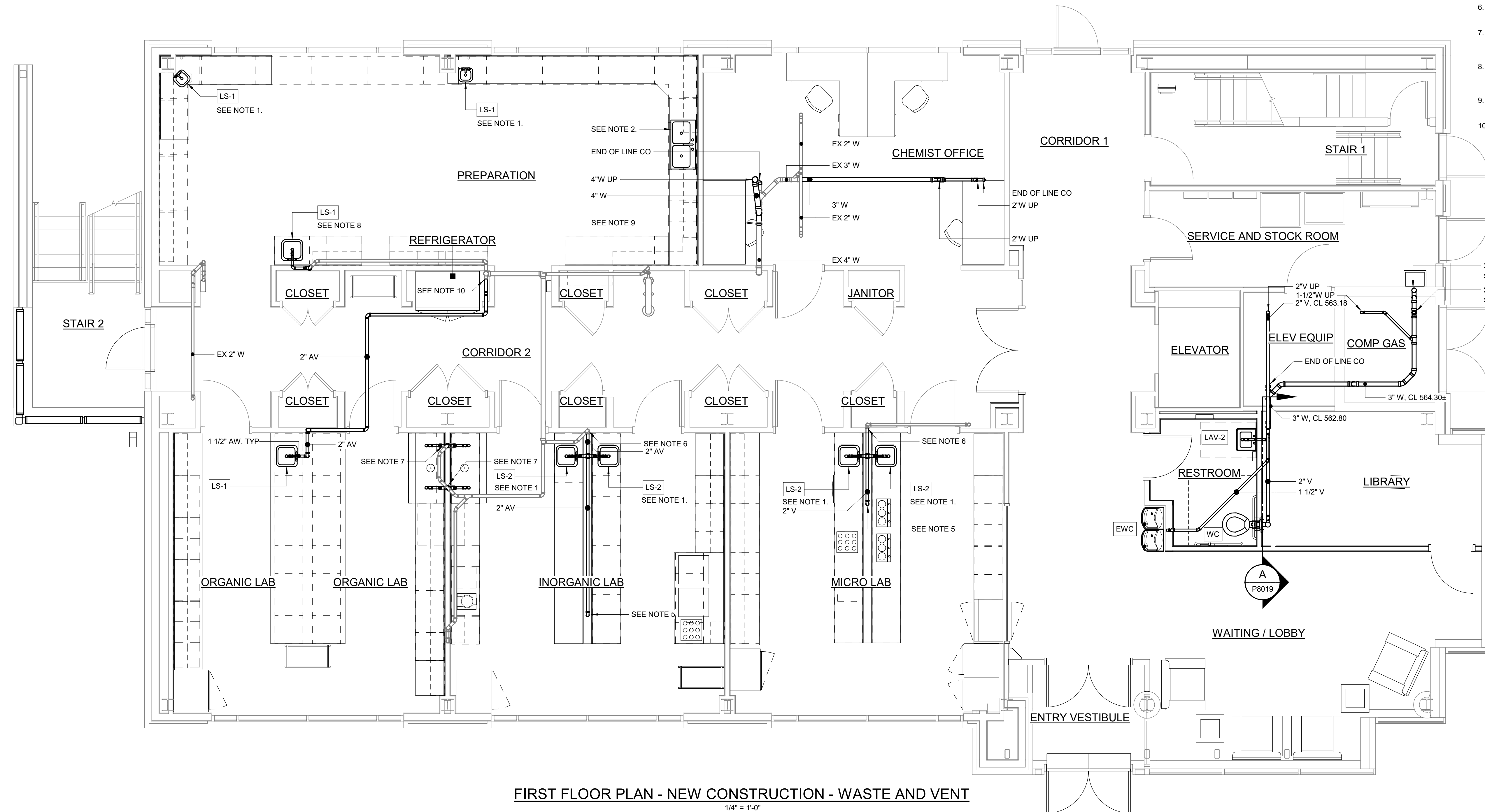
ADMINISTRATION BUILDING
PLUMBING
BELOW FLOOR PLAN - WASTE AND VENT

DATE:	NOVEMBER 2024
HAZEN NO.:	60711-003
CONTRACT NO.:	1
DRAWING NUMBER:	P8013

PLANS BASED ON RECORD DRAWINGS.
CONTRACTOR SHALL FIELD VERIFY ALL
PIPE LOCATIONS AND CONNECTIONS.

NOTES:

1. CONTRACTOR SHALL REPLACE EXISTING SINK. CONTRACTOR SHALL DISCONNECT EXISTING SANITARY AND VENT AND RECONNECT TO NEW FIXTURE. REFER TO ARCHITECTURAL FOR MORE INFORMATION ON MASONRY.
2. CONTRACTOR SHALL CONNECT NEW SAMPLE SINK TO SAMPLE LINES AND DRAIN. SAMPLE SINK SHALL BE EITHER (2) STAINLESS STEEL PREFAB 30-1/2" X 18-1/2" X 11-1/2" SINKS OR (1) 60" X 27" X 12" CUSTOM FABRICATED STAINLESS STEEL SINK.
3. WASTE UP TO P8016.
4. VENT UP TO P8016.
5. CONTRACTOR SHALL PROVIDE NEW VENT PIPING FOR PIPING DEMOLISHED WITH CABINETS
6. CONTRACTOR SHALL CONNECT NEW 2" VENT TO EXISTING 2" VENT IN WALL.
7. CONTRACTOR SHALL CONNECT NEW WASTE PIPING FOR FUME HOOD TO EXISTING WASTE AND VENT PIPING IN WALL FROM DEMOLISHED FUME HOOD.
8. CONTRACTOR SHALL CONNECT NEW LAB SINK WASTE AND VENT PIPING TO EXISTING WASTE AND VENT PIPING IN WALL FROM DEMOLISHED FUME HOOD.
9. CONTRACTOR SHALL CONNECT NEW 4" WASTE LINE TO EXISTING WASTE LINE.
10. CONTRACTOR SHALL CONNECT NEW 2" ACID VENT TO EXISTING 3" ACID VENT STACK.



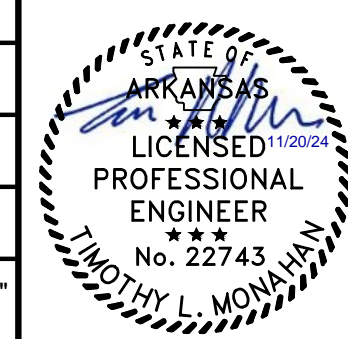
FIRST FLOOR PLAN - NEW CONSTRUCTION - WASTE AND VENT

1/4" = 1'-0"

GMP SUBMITTAL. DO NOT USE FOR CONSTRUCTION.

Autodesk_Docs\60711-001_Wilson_WTP_Renewal_Plan_Piping_Basement\60711-003-8000-AB-PLUM.rvt 11/18/2024 2:04:25 PM

PROJECT MANAGER:	T. HUDSON		
DESIGNED BY:	J. JOHNSON		
DRAWN BY:	J. JOHNSON		
PROJECT ENGINEER:	T. MONAHAN		
IF THIS BAR DOES NOT MEASURE 1" THEN DRAWING IS NOT TO FULL SCALE			
REV	ISSUED FOR	DATE	BY



Hazen
HAZEN AND SAWYER
8150 N. CENTRAL EXPRESSWAY
TOWER II - SUITE 700
DALLAS, TEXAS 75206

CENTRAL ARKANSAS WATER
LITTLE ROCK, ARKANSAS
JACK H. WILSON WTP RENEWAL
AND RESILIENCY PROJECT

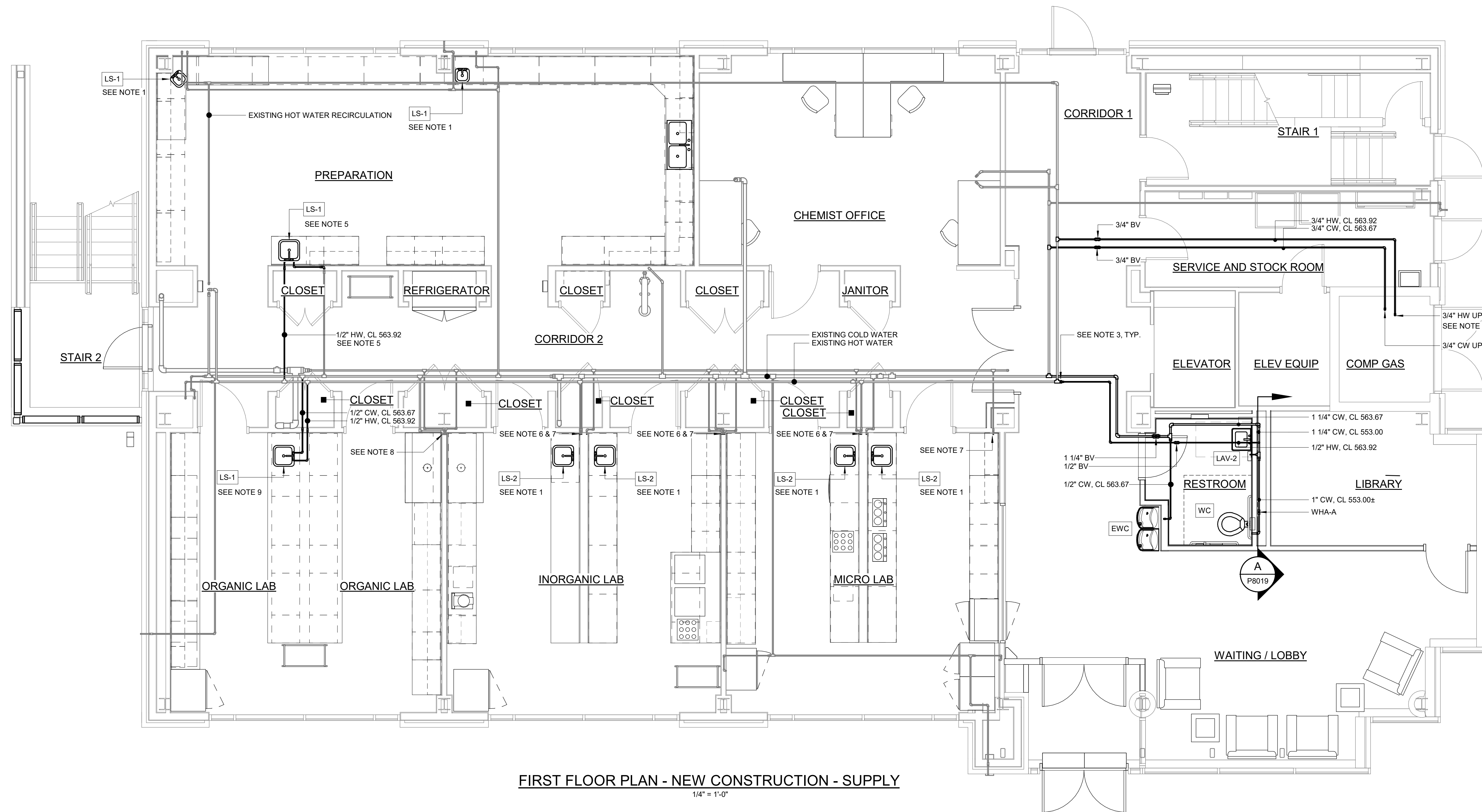
ADMINISTRATION BUILDING
PLUMBING
FIRST FLOOR PLAN - WASTE AND VENT

DATE:	NOVEMBER 2024
HAZEN NO.:	60711-003
CONTRACT NO.:	1
DRAWING NUMBER:	P8014

PLANS BASED ON RECORD DRAWINGS.
CONTRACTOR SHALL FIELD VERIFY ALL
PIPE LOCATIONS AND CONNECTIONS.

NOTES:

- EXISTING SINK TO BE REPLACED. DISCONNECT EXISTING WATER PIPING AND RECONNECT TO NEW FIXTURE. REFER TO ARCHITECTURAL FOR MORE INFORMATION ON MASONRY.
- HOT AND COLD WATER UP TO P8017.
- CONNECT TO EXISTING WATER LINE.
- CONTRACTOR SHALL FIELD VERIFY EXACT LOCATION AND ELEVATION OF ALL EXISTING PIPE.
- CONTRACTOR SHALL PROVIDE NEW LS-1. CONTRACTOR SHALL CONNECT NEW 1/2" CW TO EXISTING 3/4" CW. CONTRACTOR SHALL PROVIDE NEW 1/2" HW AND CONNECT TO EXISTING HW MAIN IN CORRIDOR.
- CONTRACTOR SHALL CONNECT NEW 1/2" HOT AND COLD WATER LINES TO EXISTING WATER LINES IN WALL. CONTRACTOR SHALL ROUTE NEW WATER LINES TO NEW LAB SINKS.
- CONTRACTOR SHALL REPLACE IN KIND ALL COMPRESSED GAS AND NATURAL GAS CONNECTIONS AND PROVIDE NEW SERRATED HOSE CONNECTION ON LAB COUNTER TOP. COMPRESSED LINES MAY INCLUDE OXYGEN, NITROGEN, COMPRESSED AIR, HELIUM, ARGON, AND VACUUM. CONTRACTOR SHALL CONFIRM WITH OWNER AND ENGINEER COMPRESSED GAS LINES TO REMAIN ACTIVE.
- CONTRACTOR SHALL PROVIDE NEW 3/4" CW AND 3/4" NG PIPING TO FUME HOOD. CONTRACTOR SHALL CONNECT NEW PIPING TO EXISTING PIPING IN WALL.
- CONTRACTOR SHALL PROVIDE NEW 1/2" HW AND 1/2" CW PIPING FOR LAB SINK. NEW PIPING SHALL CONNECT TO EXISTING MAINS IN CORRIDOR.



FIRST FLOOR PLAN - NEW CONSTRUCTION - SUPPLY
1/4" = 1'-0"

GMP SUBMITTAL. DO NOT USE FOR CONSTRUCTION.

Autodesk_DocSet(60711-001_Wilson_WTP_Renewal_Plan_Plumbing_Revit_Basemap(60711-003-8000-AB-PLUMB.rvt 11/19/2024 2:24:27 PM)

REV	ISSUED FOR	DATE	BY

PROJECT MANAGER:	T. HUDSON
DESIGNED BY:	J. JOHNSON
DRAWN BY:	J. JOHNSON
PROJECT ENGINEER:	T. MONAHAN
IF THIS BAR DOES NOT MEASURE 1" THEN DRAWING IS NOT TO FULL SCALE	
0	1/2" 1"



Hazen
HAZEN AND SAWYER
8150 N. CENTRAL EXPRESSWAY
TOWER II - SUITE 700
DALLAS, TEXAS 75206

CENTRAL ARKANSAS WATER
LITTLE ROCK, ARKANSAS

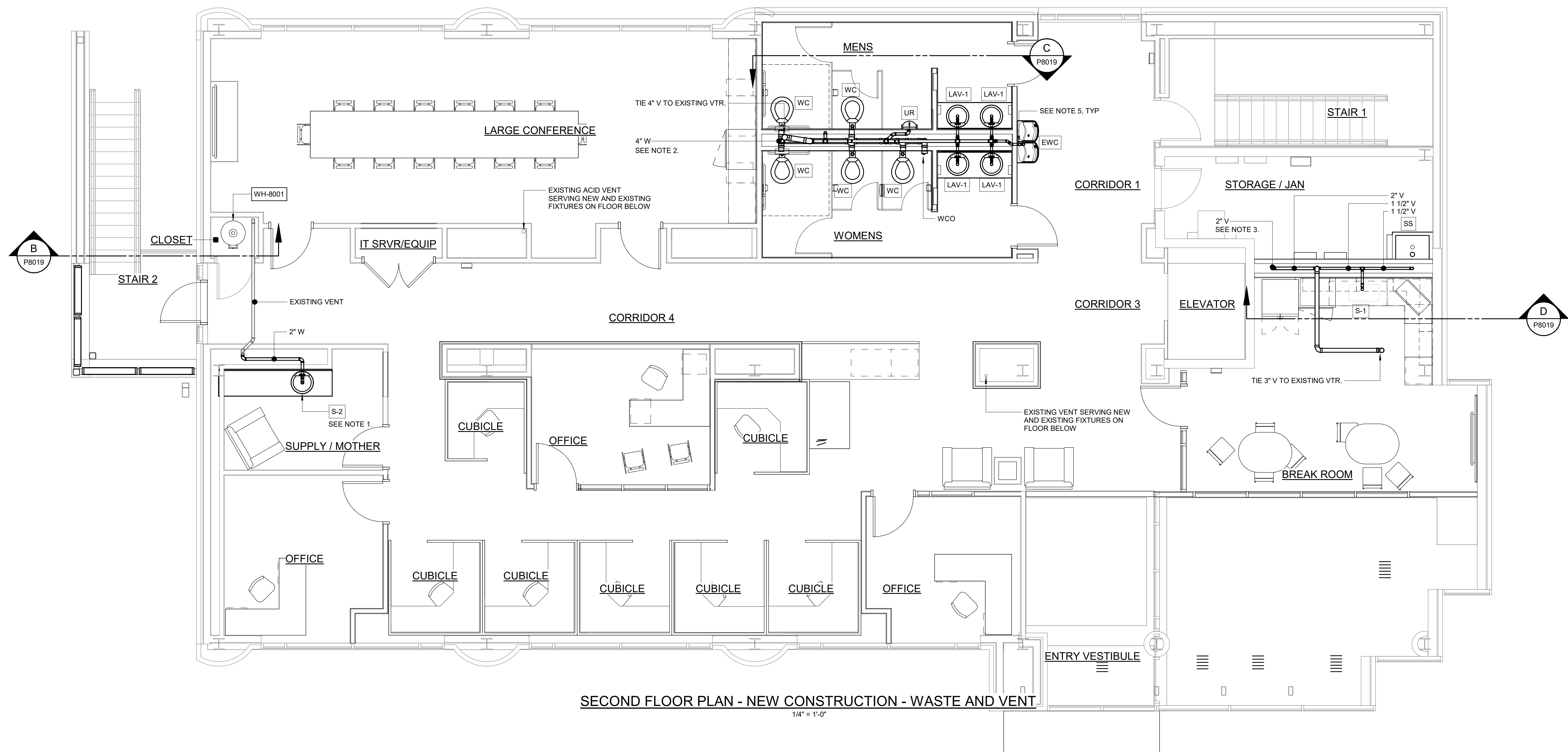
JACK H. WILSON WTP RENEWAL
AND RESILIENCY PROJECT

ADMINISTRATION BUILDING
PLUMBING
FIRST FLOOR PLAN - SUPPLY

DATE:	NOVEMBER 2024
HAZEN NO.:	60711-003
CONTRACT NO.:	1
DRAWING NUMBER:	P8015

PLANS BASED ON RECORD DRAWINGS.
CONTRACTOR SHALL FIELD VERIFY ALL
PIPE LOCATIONS AND CONNECTIONS.

- NOTES:**
1. CONNECT NEW 2" W TO EXISTING WASTE FROM DEMOLISHED SINK.
 2. WASTE DOWN TO P8014.
 3. VENT DOWN TO P8014.
 4. CONTRACTOR SHALL FIELD VERIFY EXISTING CONDITIONS.
 5. SEE RISER DIAGRAM ON P8010 FOR MORE INFORMATION ON THIS AREA.



SECOND FLOOR PLAN - NEW CONSTRUCTION - WASTE AND VENT
1/4" = 1'-0"

GMP SUBMITTAL. DO NOT USE FOR CONSTRUCTION.

Autodesk_Documents\60711-001_Wilson_WTP_Rehab_Plan_Basement\60711-001-8000-AB-PLUM.rvt
11/18/2024 2:04:28 PM

REV	ISSUED FOR	DATE	BY

PROJECT MANAGER:	T. HUDSON
DESIGNED BY:	J. JOHNSON
DRAWN BY:	J. JOHNSON
PROJECT ENGINEER:	T. MONAHAN
IF THIS BAR DOES NOT MEASURE 1" THEN DRAWING IS NOT TO FULL SCALE	



Hazen
HAZEN AND SAWYER
8150 N. CENTRAL EXPRESSWAY
TOWER II - SUITE 700
DALLAS, TEXAS 75206

CENTRAL ARKANSAS WATER
LITTLE ROCK, ARKANSAS

JACK H. WILSON WTP RENEWAL
AND RESILIENCY PROJECT

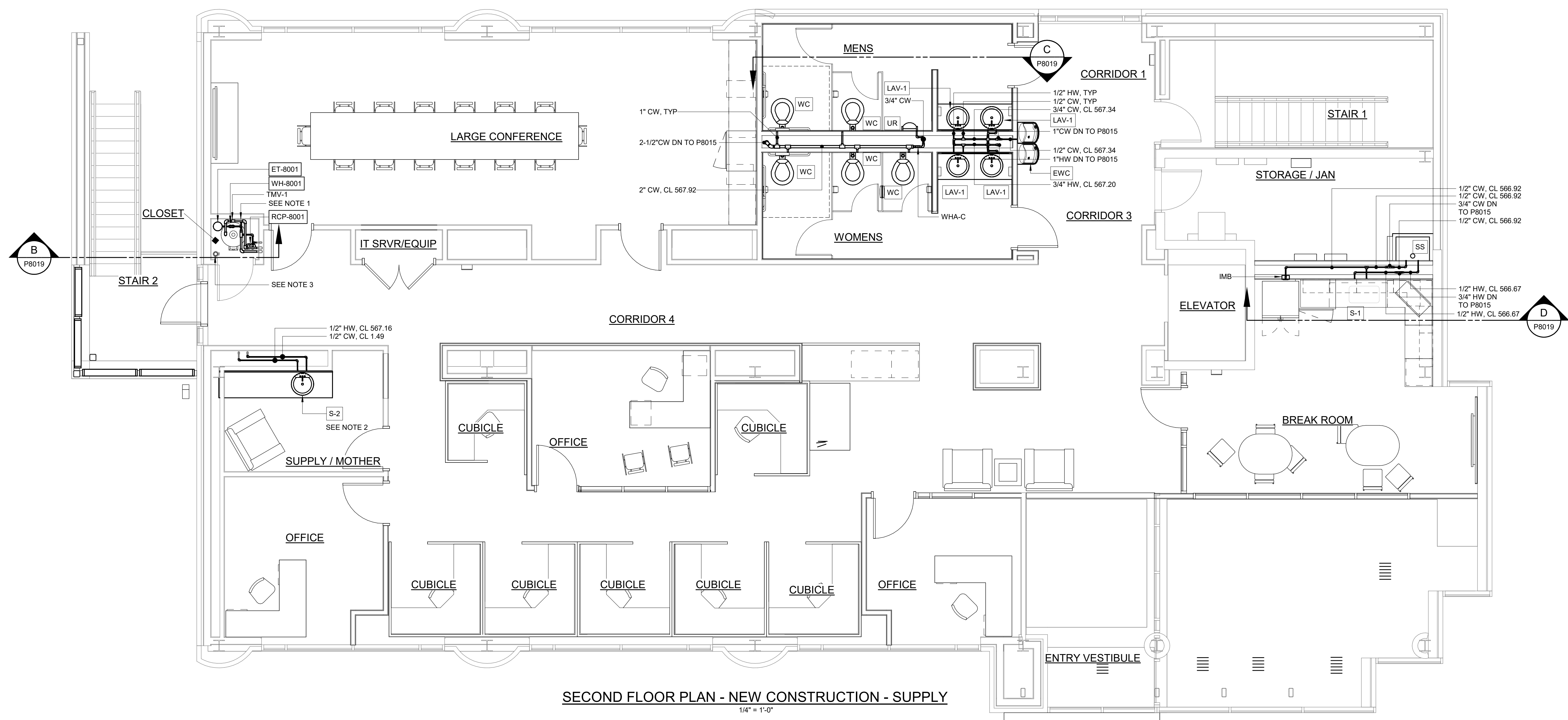
ADMINISTRATION BUILDING
PLUMBING
SECOND FLOOR PLAN - WASTE AND VENT

DATE:	NOVEMBER 2024
HAZEN NO.:	60711-003
CONTRACT NO.:	1
DRAWING NUMBER:	P8016

PLANS BASED ON RECORD DRAWINGS.
CONTRACTOR SHALL FIELD VERIFY ALL
PIPE LOCATIONS AND CONNECTIONS.

NOTES:

1. CONTRACTOR SHALL PROVIDE AND INSTALL NEW ELECTRIC STORAGE WATER HEATER. CONTRACTOR SHALL PROVIDE RCP-8001 AND ET-8001. CONTRACTOR SHALL CONNECT TO EXISTING 1-1/4" CW, 1-1/4" HW, AND 3/4" HWC.
2. CONTRACTOR SHALL CONNECT EXISTING HOT AND COLD WATER LINES TO NEW SINK.
3. CONTRACTOR SHALL PROVIDE NEW 3" NATURAL GAS LINE CONNECTING TO EXISTING GAS RISER. 3" NG UP TO P8018.



SECOND FLOOR PLAN - NEW CONSTRUCTION - SUPPLY
1/4" = 1'-0"

GMP SUBMITTAL. DO NOT USE FOR CONSTRUCTION.

Autodesk_Docs\60711-001_Wilson_WTP_Rehab_Plan_P8017-003-8000-AB-PLUM.rvt 11/19/2024 2:04:23 PM

REV	ISSUED FOR	DATE	BY

PROJECT MANAGER:	T. HUDSON
DESIGNED BY:	J. JOHNSON
DRAWN BY:	J. JOHNSON
PROJECT ENGINEER:	T. MONAHAN
IF THIS BAR DOES NOT MEASURE 1" THEN DRAWING IS NOT TO FULL SCALE	



Hazen
HAZEN AND SAWYER
8150 N. CENTRAL EXPRESSWAY
TOWER II - SUITE 700
DALLAS, TEXAS 75206

CENTRAL ARKANSAS WATER
LITTLE ROCK, ARKANSAS

JACK H. WILSON WTP RENEWAL
AND RESILIENCY PROJECT

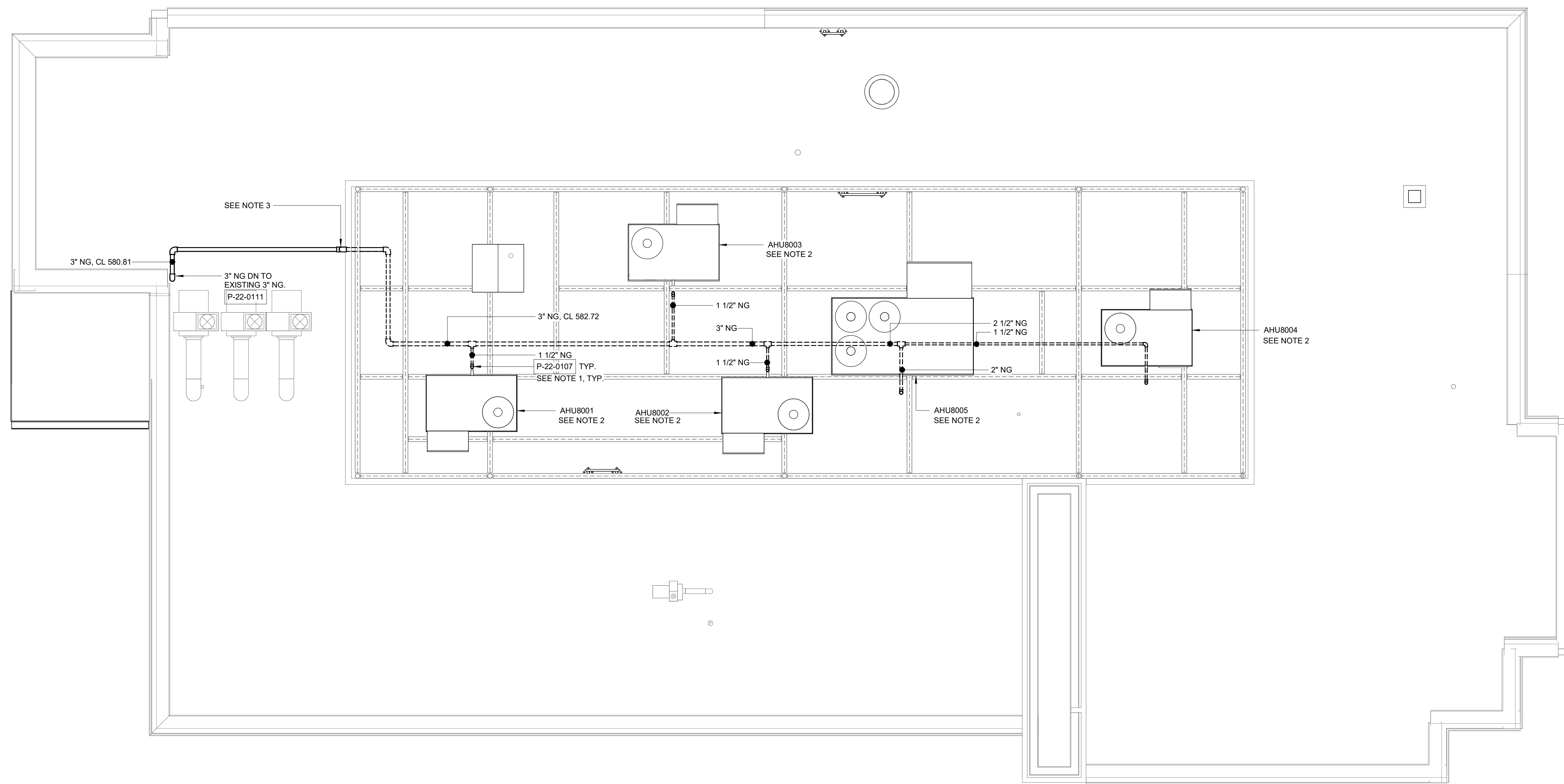
ADMINISTRATION BUILDING
PLUMBING
SECOND FLOOR PLAN - SUPPLY

DATE:	NOVEMBER 2024
HAZEN NO.:	60711-003
CONTRACT NO.:	1
DRAWING NUMBER:	P8017

PLANS BASED ON RECORD DRAWINGS.
CONTRACTOR SHALL FIELD VERIFY ALL
PIPE LOCATIONS AND CONNECTIONS.

NOTES:

1. GAS BRANCH TO ROOFTOP HVAC EQUIPMENT. SEE DETAIL P-22-0107 ON SHEET PD2. REFER TO MANUFACTURER'S INSTRUCTIONS FOR CONNECTION SIZE AND REGULATOR SET POINT.
2. REFER TO HVAC PLANS FOR MORE INFORMATION ON ROOFTOP EQUIPMENT.
3. ROUTE GAS UNDER HVAC I-BEAM FRAME.



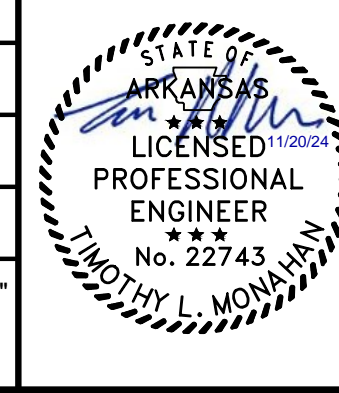
ROOF PLAN
1/4" = 1'-0"

GMP SUBMITTAL. DO NOT USE FOR CONSTRUCTION.

Autodesk_DocSet/60711-001_Wilson_WTP_Rehab_Filter_Basins/60711-003-800-AB-PLUM.rvt 11/19/2024 2:24:30 PM

REV	ISSUED FOR	DATE	BY

PROJECT MANAGER:	T. HUDSON
DESIGNED BY:	J. JOHNSON
DRAWN BY:	J. JOHNSON
PROJECT ENGINEER:	T. MONAHAN
IF THIS BAR DOES NOT MEASURE 1" THEN DRAWING IS NOT TO FULL SCALE	



Hazen
HAZEN AND SAWYER
8150 N. CENTRAL EXPRESSWAY
TOWER II - SUITE 700
DALLAS, TEXAS 75206

CENTRAL ARKANSAS WATER
LITTLE ROCK, ARKANSAS

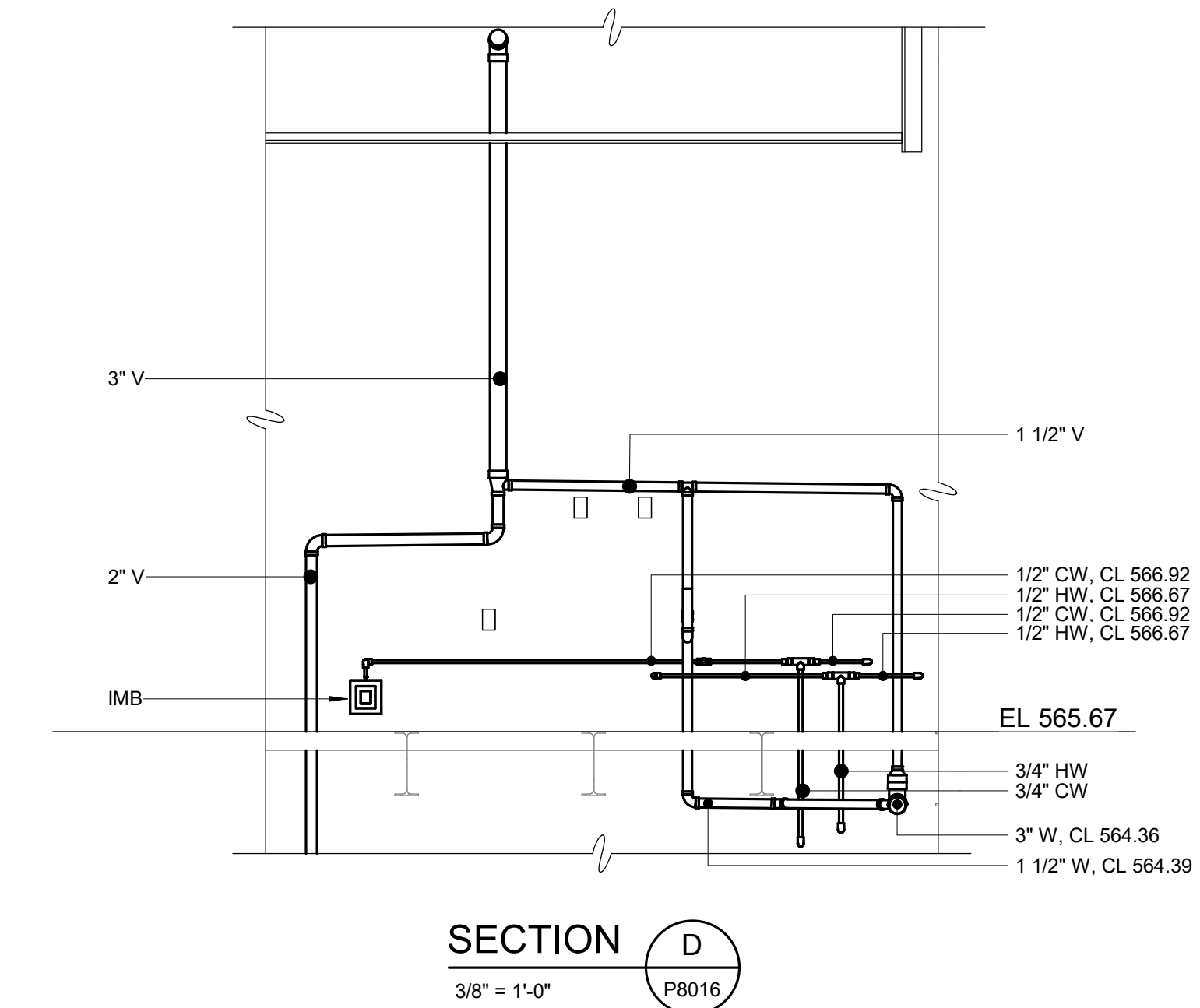
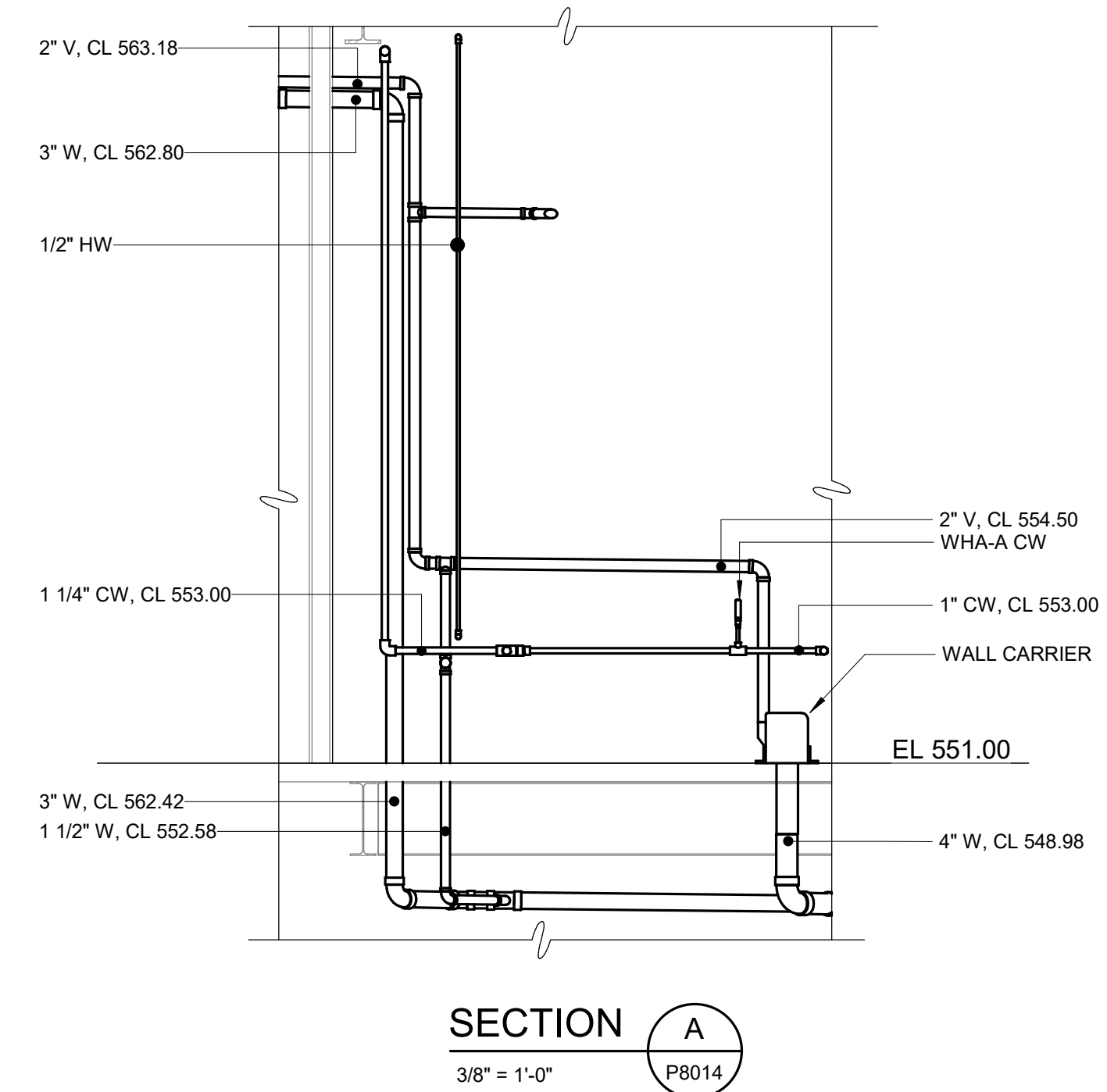
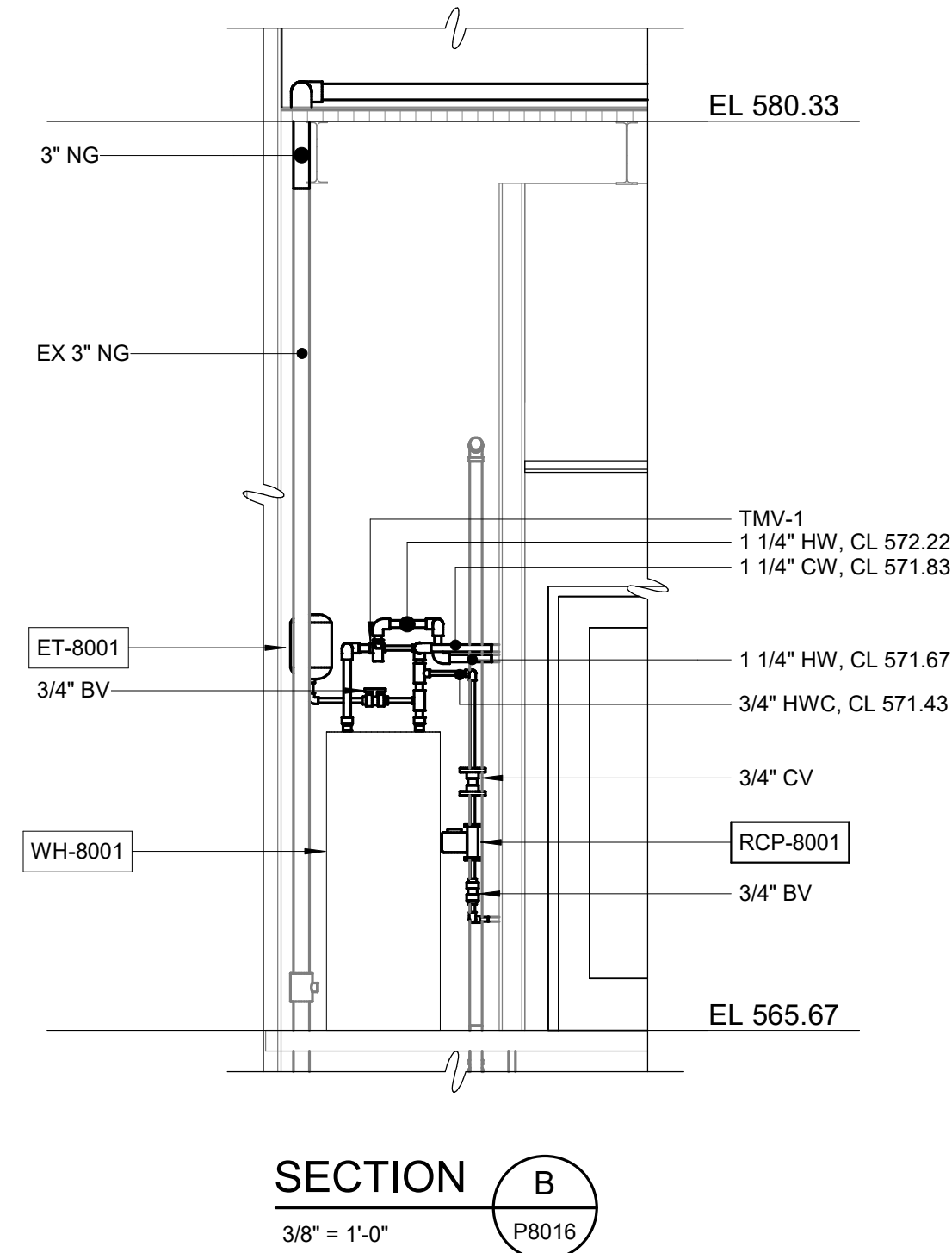
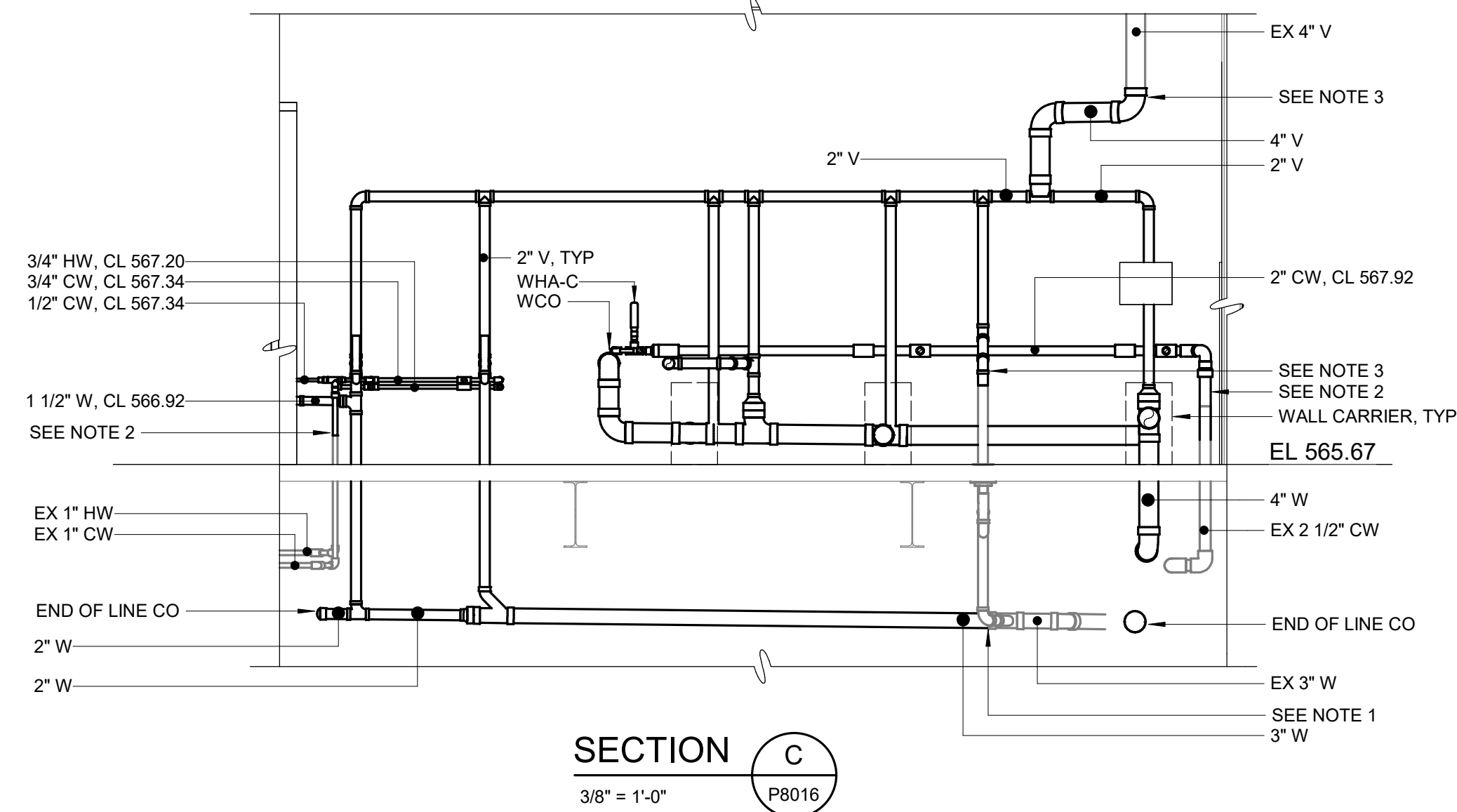
JACK H. WILSON WTP RENEWAL
AND RESILIENCY PROJECT

ADMINISTRATION BUILDING
PLUMBING
ROOF PLAN

DATE:	NOVEMBER 2024
HAZEN NO.:	60711-003
CONTRACT NO.:	1
DRAWING NUMBER:	P8018

NOTES:

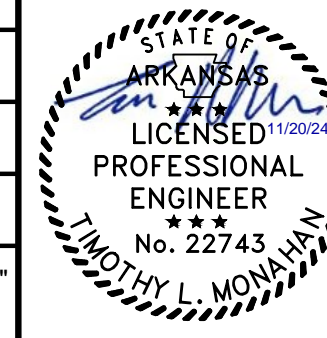
1. CONNECT NEW WASTE PIPING TO EXISTING WASTE PIPING.
2. CONNECT NEW WATER PIPING TO EXISTING WATER PIPING.
3. CONNECT NEW VENT PIPING TO EXISTING VENT PIPING.
4. REFER TO PLUMBING FIXTURE SCHEDULE ON P0003 FOR WASTE, VENT, HOT AND COLD WATER CONNECTION SIZES FOR EACH FIXTURE.
5. CONTRACTOR SHALL PROVIDE NEW 3" GAS LINE AND CONNECT TO EXISTING 3" GAS RISER.



GMP SUBMITTAL. DO NOT USE FOR CONSTRUCTION.

Autodesk_Docs\60711-001_Wilson_WTP_Rehab_Filter_Basins\60711-003-8000-AB-PLUM.rvt 11/19/2024 2:24:31 PM

PROJECT MANAGER:	T. HUDSON		
DESIGNED BY:	J. JOHNSON		
DRAWN BY:	J. JOHNSON		
PROJECT ENGINEER:	T. MONAHAN		
IF THIS BAR DOES NOT MEASURE 1" THEN DRAWING IS NOT TO FULL SCALE	0 1/2" 1"		
REV	ISSUED FOR	DATE	BY



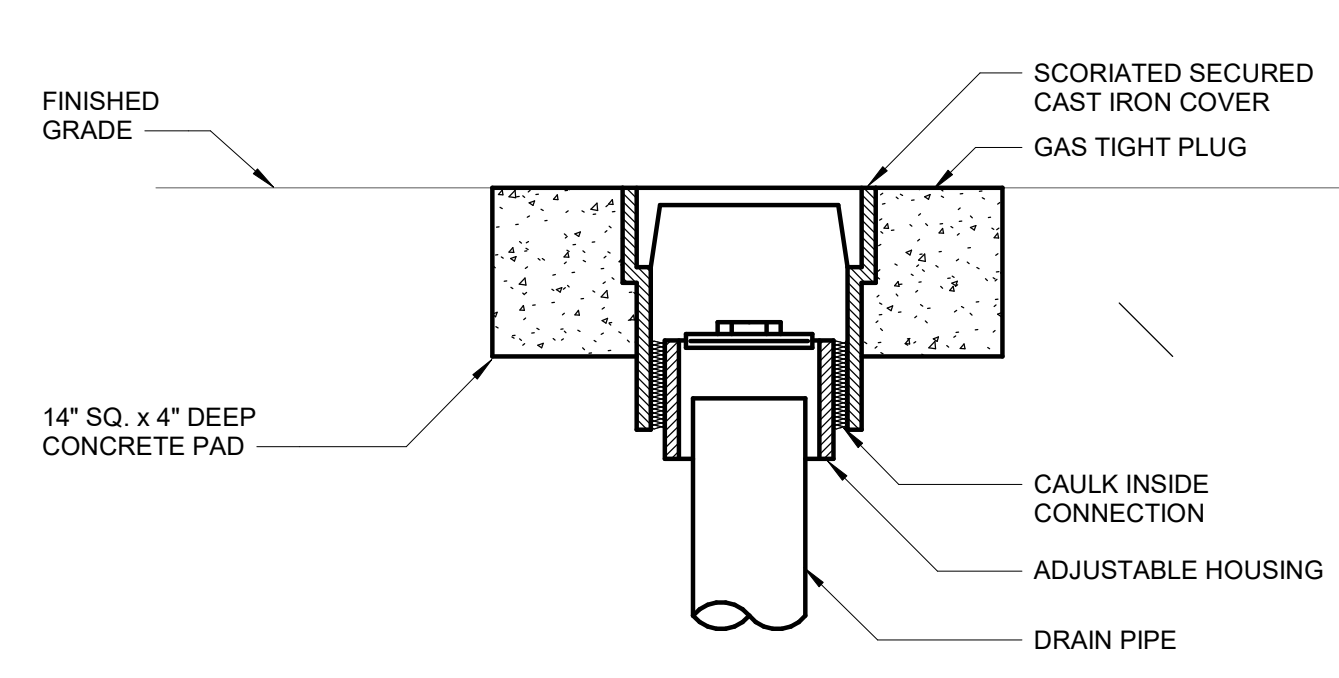
Hazen
HAZEN AND SAWYER
8150 N. CENTRAL EXPRESSWAY
TOWER II - SUITE 700
DALLAS, TEXAS 75206

CENTRAL ARKANSAS WATER
LITTLE ROCK, ARKANSAS

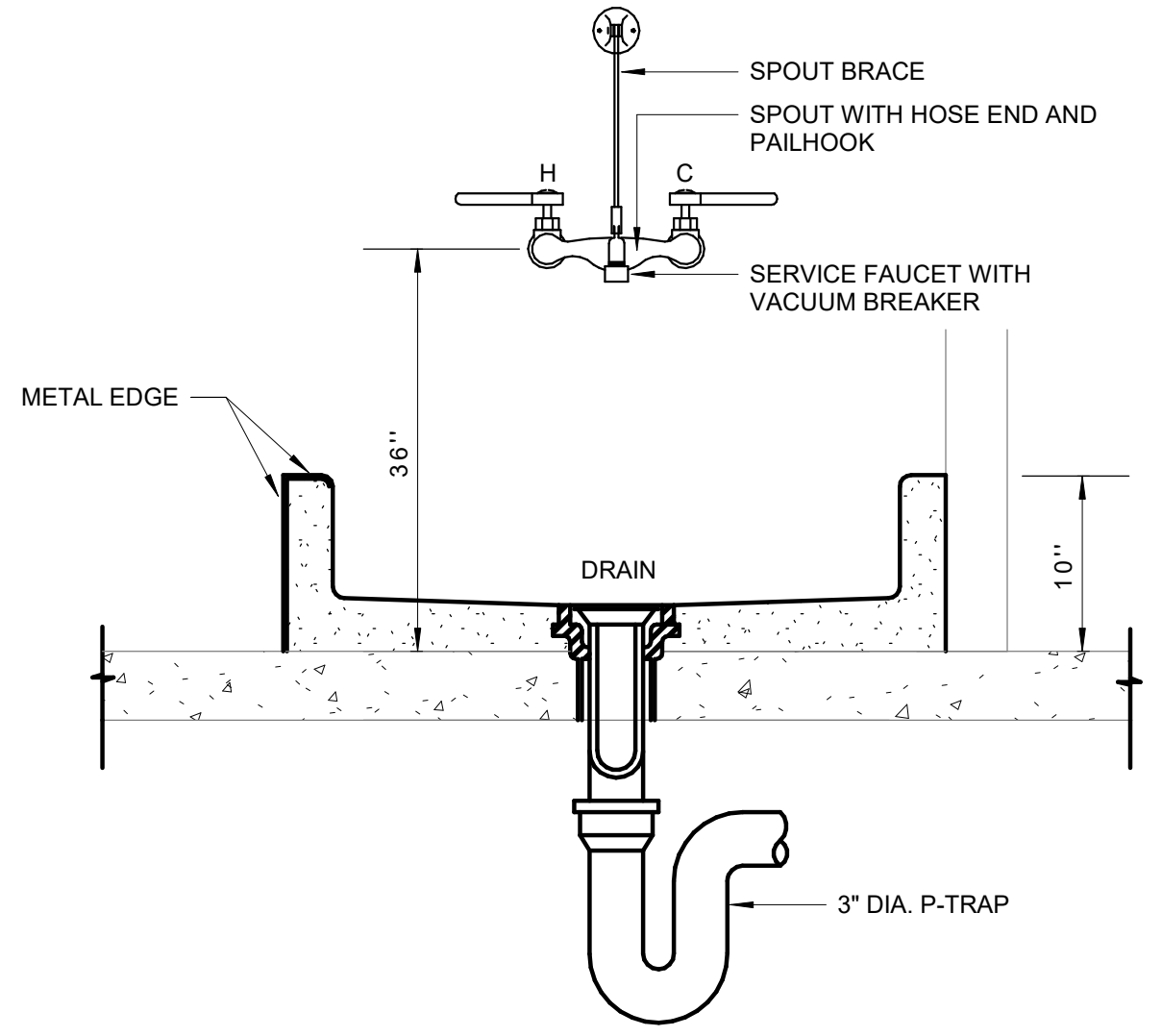
JACK H. WILSON WTP RENEWAL
AND RESILIENCY PROJECT

ADMINISTRATION BUILDING
PLUMBING
SECTIONS

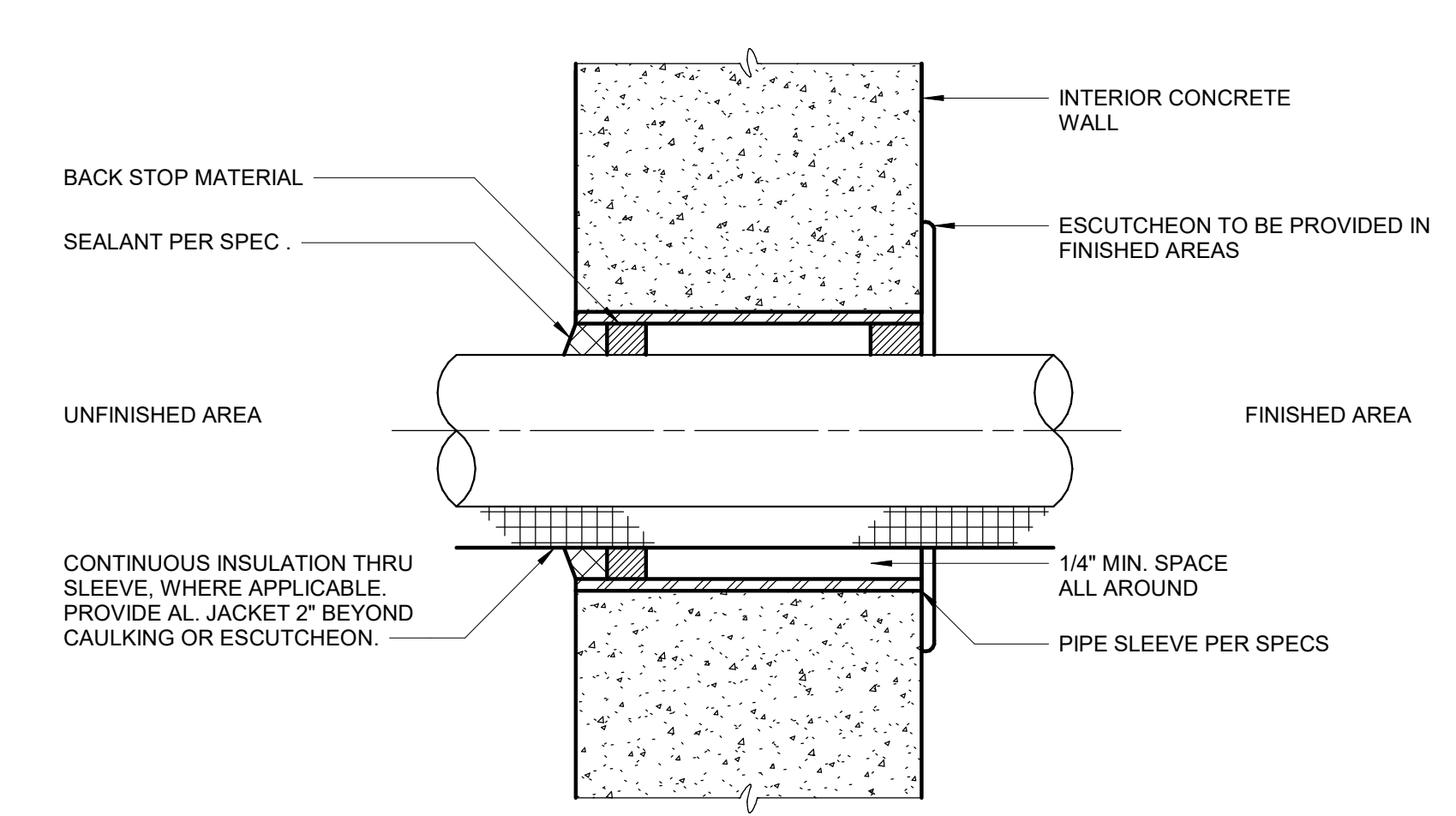
DATE:	NOVEMBER 2024
HAZEN NO.:	60711-003
CONTRACT NO.:	1
DRAWING NUMBER:	P8019



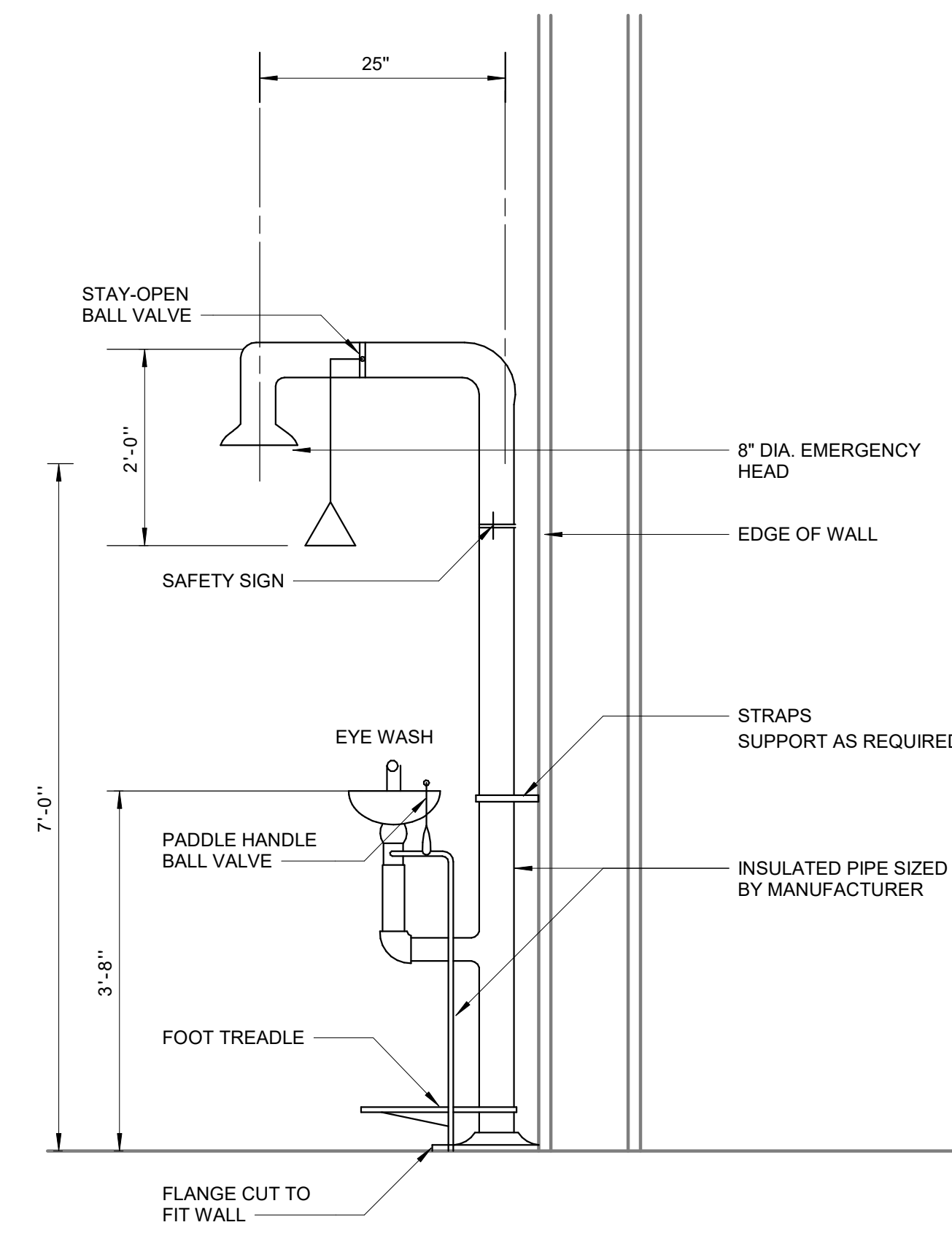
CLEANOUT TO GRADE
P-22-0203



SERVICE SINK
P-22-0208

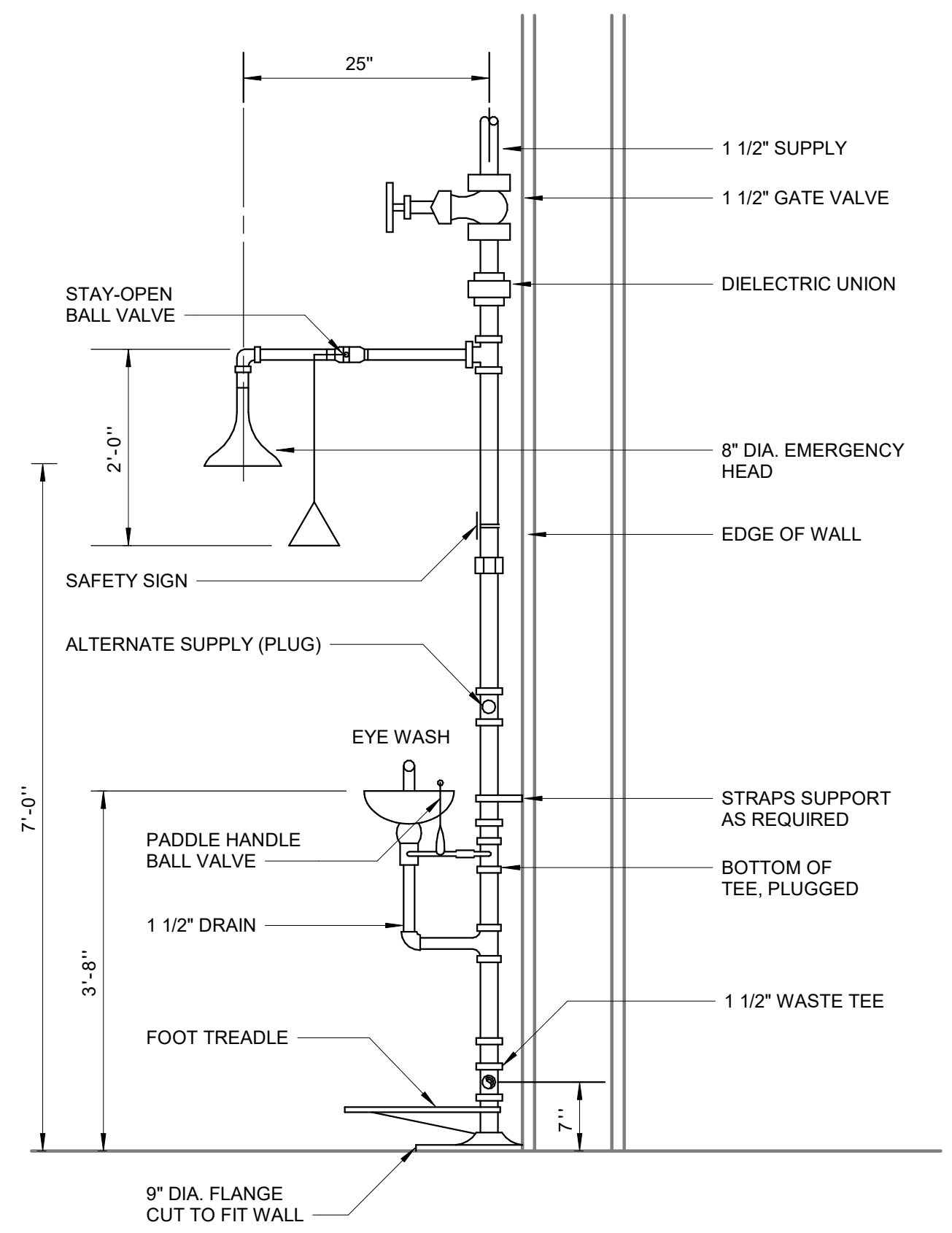


PIPE SLEEVE WALL PENETRATION
P-22-0217

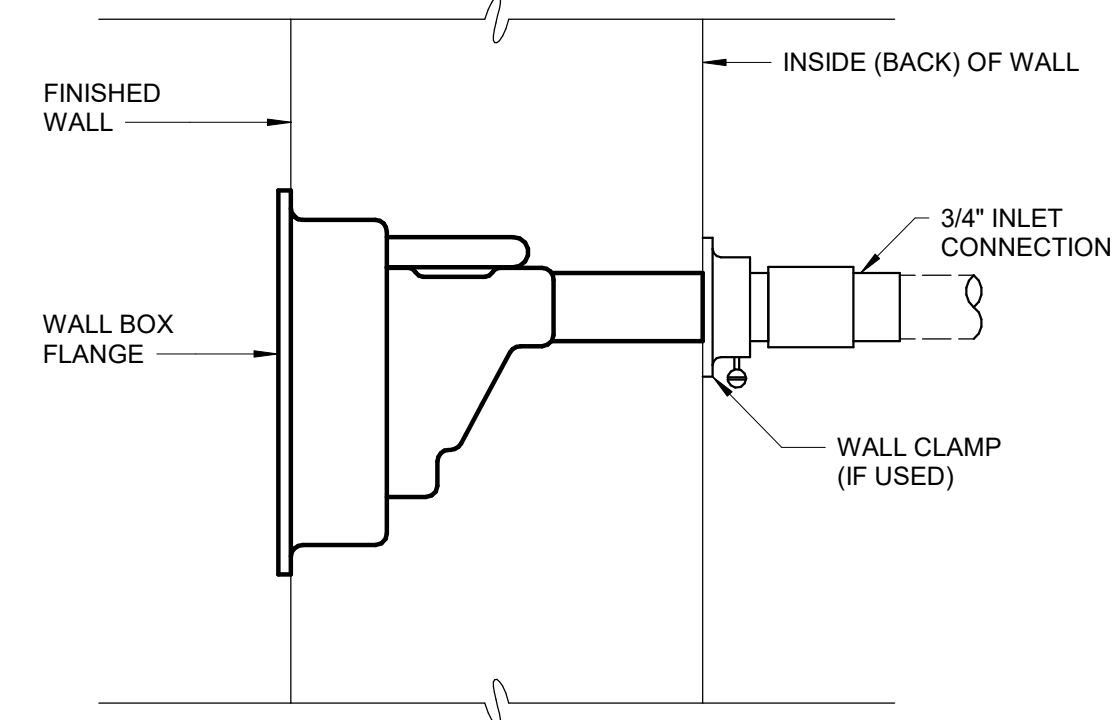


EMERGENCY SHOWER/EYEWASH
FREEZE PROOF

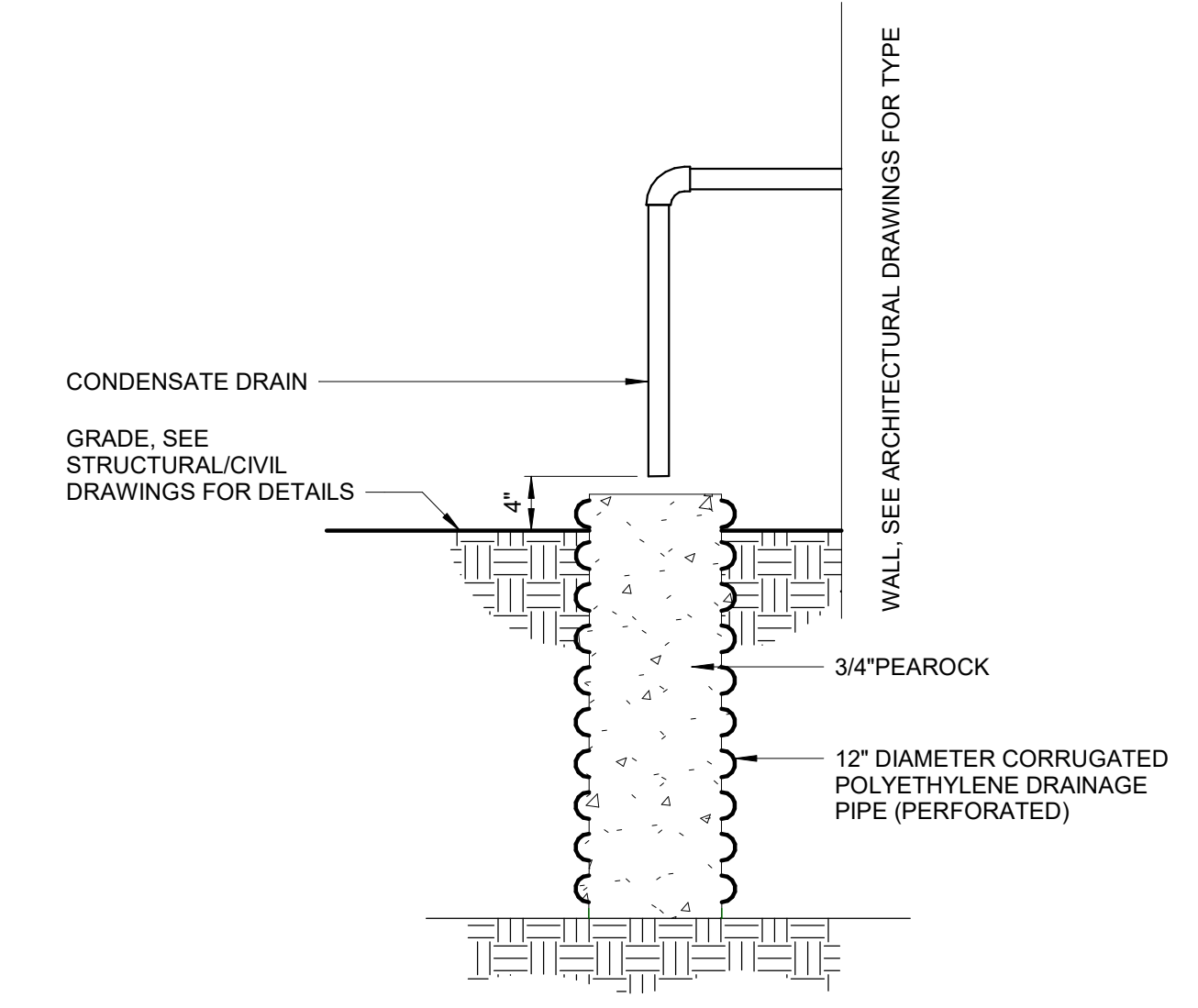
P-22-0401



EMERGENCY SHOWER/EYEWASH



FROSTPROOF HYDRANT
P-22-0302



CONDENSATE DRYWELL
P-22-0221

GMP SUBMITTAL. DO NOT USE FOR CONSTRUCTION.

Autodesk_DocSet/60711-003_Wilson_WTP_Rehab_File_Base/60711-003-3000-FB-3100-FWC-PLUM.rvt 11/19/2024 1:59:55 PM

REV	ISSUED FOR	DATE	BY

PROJECT MANAGER:	T. HUDSON
DESIGNED BY:	J. JOHNSON
DRAWN BY:	J. JOHNSON
PROJECT ENGINEER:	T. MONAHAN
IF THIS BAR DOES NOT MEASURE 1" THEN DRAWING IS NOT TO FULL SCALE	



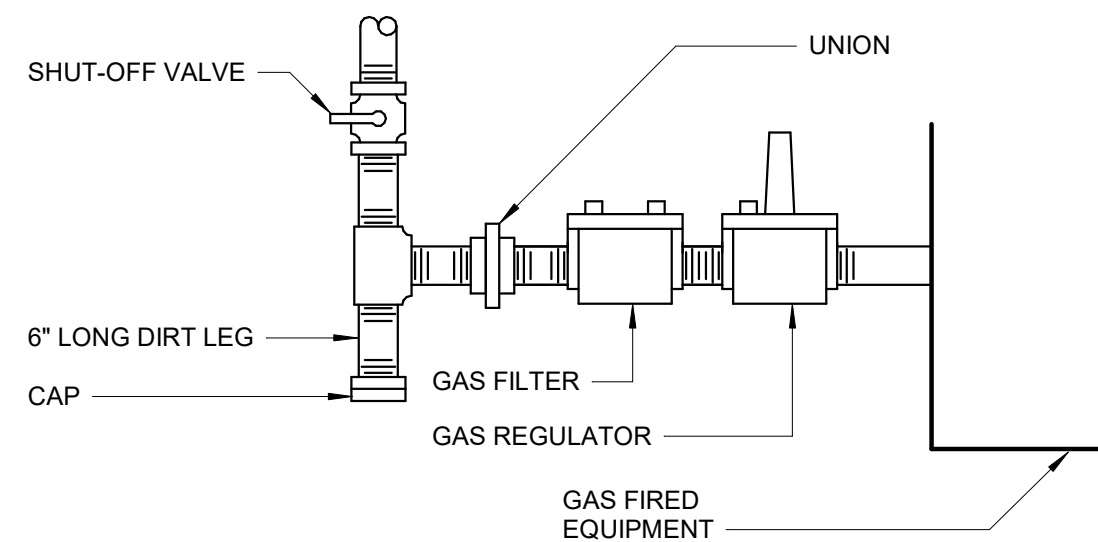
Hazen
HAZEN AND SAWYER
8150 N. CENTRAL EXPRESSWAY
TOWER II - SUITE 700
DALLAS, TEXAS 75206

CENTRAL ARKANSAS WATER
LITTLE ROCK, ARKANSAS

JACK H. WILSON WTP RENEWAL
AND RESILIENCY PROJECT

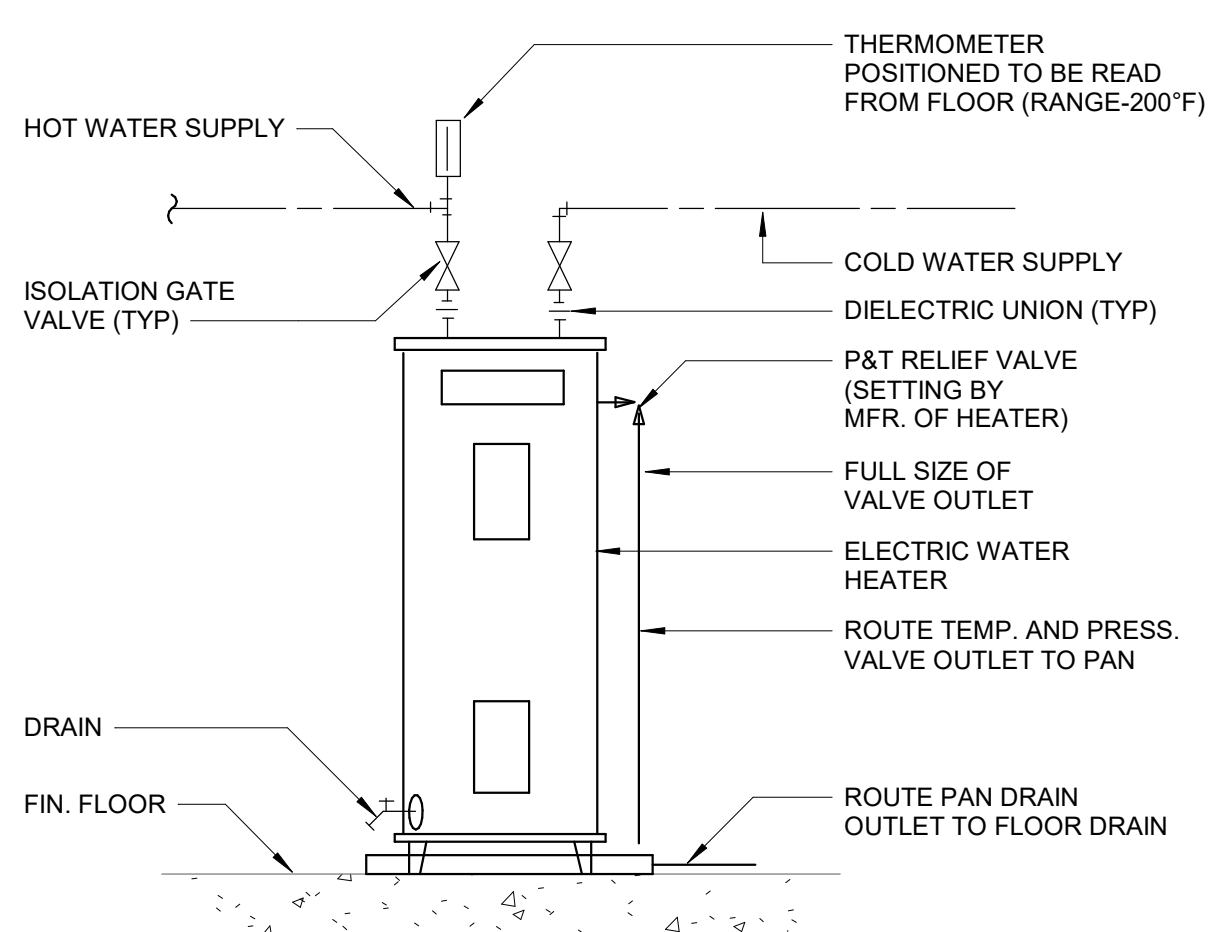
GENERAL
PLUMBING
STANDARD DETAILS SHEET 1

DATE:	NOVEMBER 2024
HAZEN NO.:	60711-003
CONTRACT NO.:	1
DRAWING NUMBER:	PD1

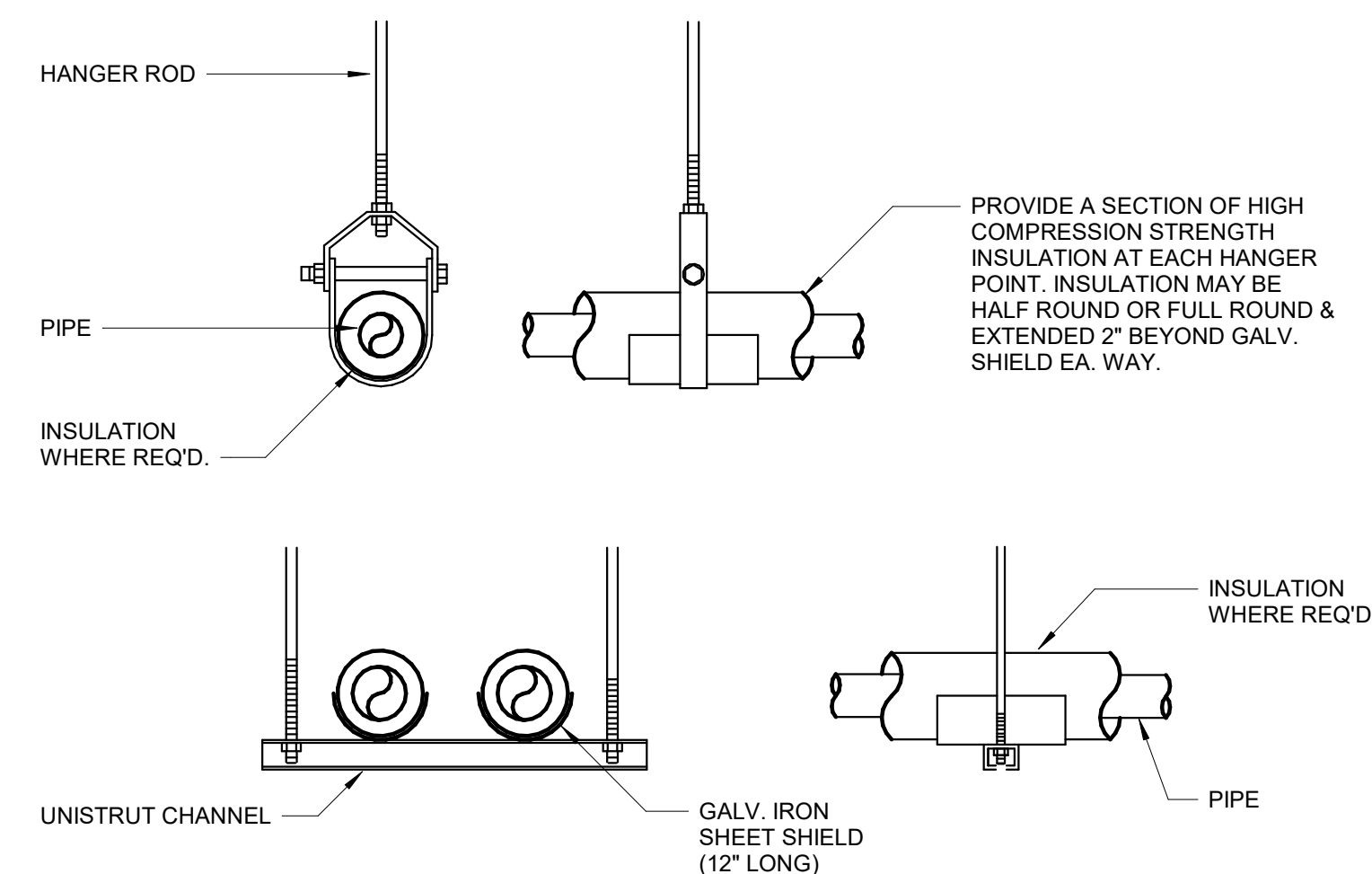


- NOTES:
1. SEE EQUIPMENT MANUFACTURER'S REQUIREMENTS FOR GAS REGULATOR PRESSURE SET POINT.
 2. REFER TO DRAWINGS FOR GAS CONNECTION SIZE FOR EACH PIECE OF EQUIPMENT.

GAS FIRED EQUIPMENT CONNECTION
P-22-0107

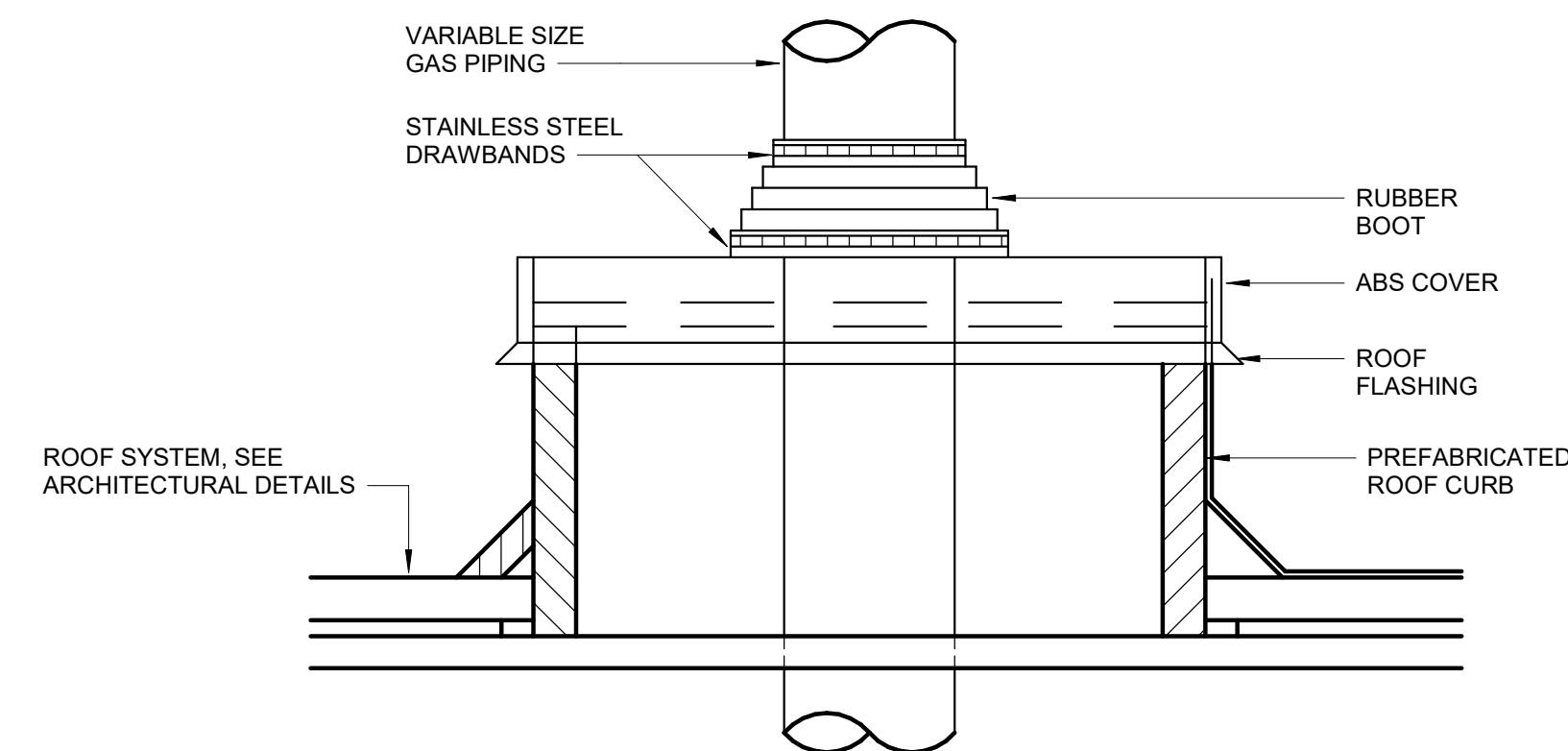


ELECTRIC WATER HEATER
P-22-0404



- NOTES
1. ATTACH SUPPORTS FOR ALL PIPING SUSPENDED FROM THE STEEL STRUCTURE TO THE TOP CORD OF JOISTS OR BEAMS.
 2. PROVIDE COPPER OR PLASTIC COATED HANGERS FOR NON-INSULATED COPPER PIPE.

PIPE HANGERS
P-22-0807



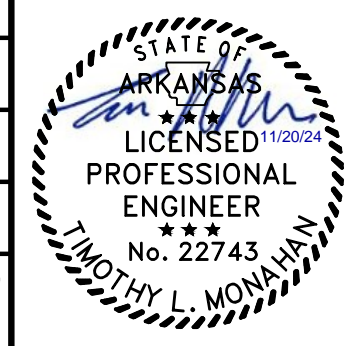
GAS LINE ROOF PENETRATION
P-22-0111

GMP SUBMITTAL. DO NOT USE FOR CONSTRUCTION.

Autodesk_Docs\60711-003_Wilson_WTP_Rehab_Filter_Base\60711-003-3000-FB-3100-FWC-PLUM.dwg 11/19/2024 1:59:55 PM

REV	ISSUED FOR	DATE	BY

PROJECT MANAGER:	T. HUDSON
DESIGNED BY:	J. JOHNSON
DRAWN BY:	J. JOHNSON
PROJECT ENGINEER:	T. MONAHAN
IF THIS BAR DOES NOT MEASURE 1" THEN DRAWING IS NOT TO FULL SCALE	0 1/2" 1"



Hazen
HAZEN AND SAWYER
8150 N. CENTRAL EXPRESSWAY
TOWER II - SUITE 700
DALLAS, TEXAS 75206

CENTRAL ARKANSAS WATER
LITTLE ROCK, ARKANSAS

JACK H. WILSON WTP RENEWAL
AND RESILIENCY PROJECT

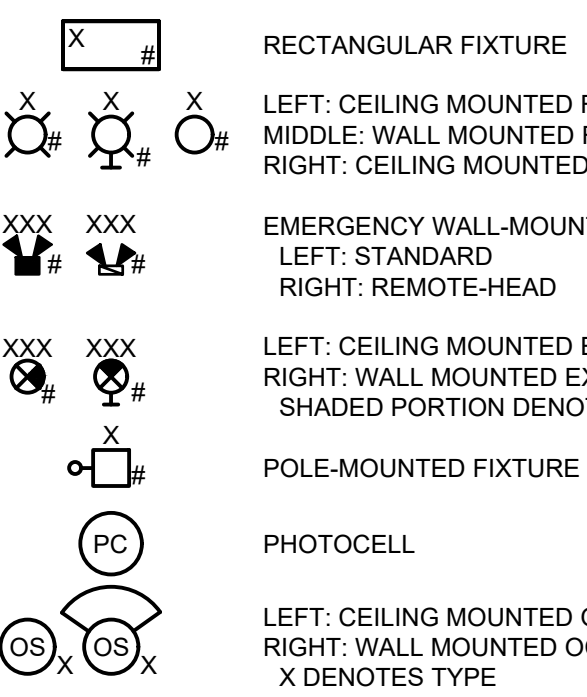
GENERAL
PLUMBING
STANDARD DETAILS SHEET 2

DATE:	NOVEMBER 2024
HAZEN NO.:	60711-003
CONTRACT NO.:	1
DRAWING NUMBER:	

PD2

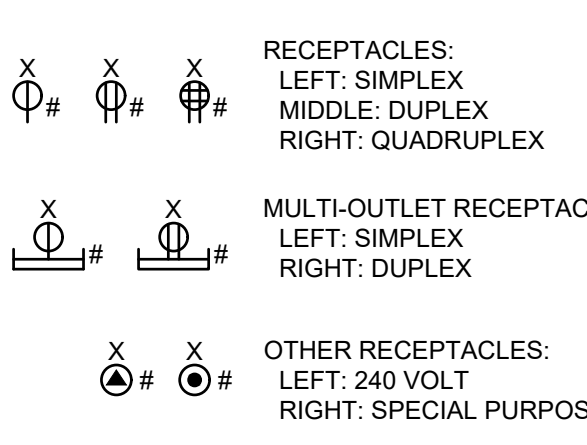
LIGHTING

X DENOTES FIXTURE TYPE (TYP.)
SEE SHEET E0002 FOR FIXTURE SCHEDULE
DENOTES CIRCUIT NUMBER (TYP.)

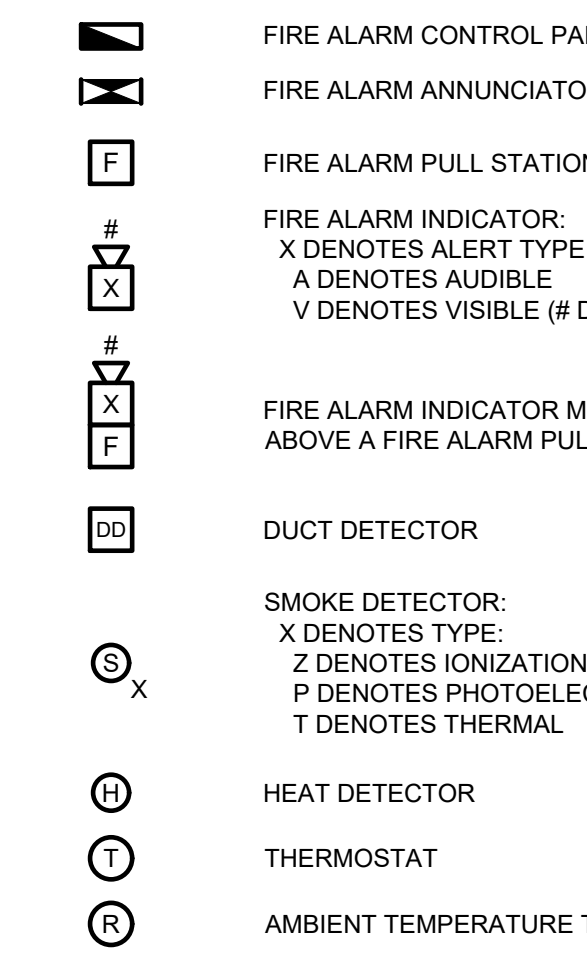


RECEPTACLES

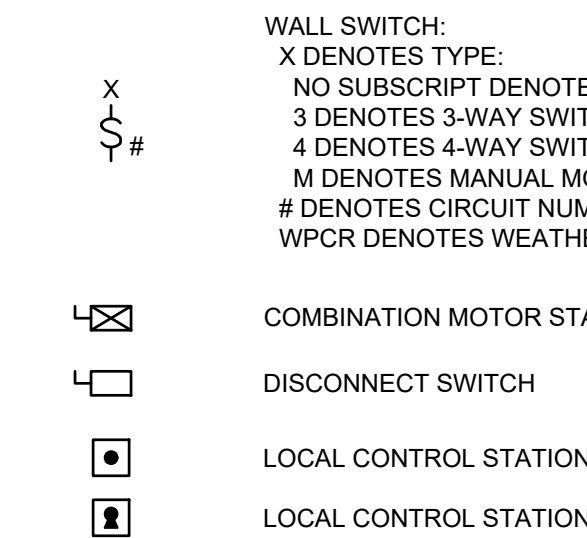
X DENOTES RECEPTACLE TYPE (TYP.)
GFCI DENOTES GROUND FAULT CIRCUIT INTERRUPT
UPS DENOTES UNINTERRUPTIBLE POWER SUPPLY
WPCR DENOTES WEATHERPROOF CORROSION RESISTANT
DENOTES CIRCUIT NUMBER (TYP.)



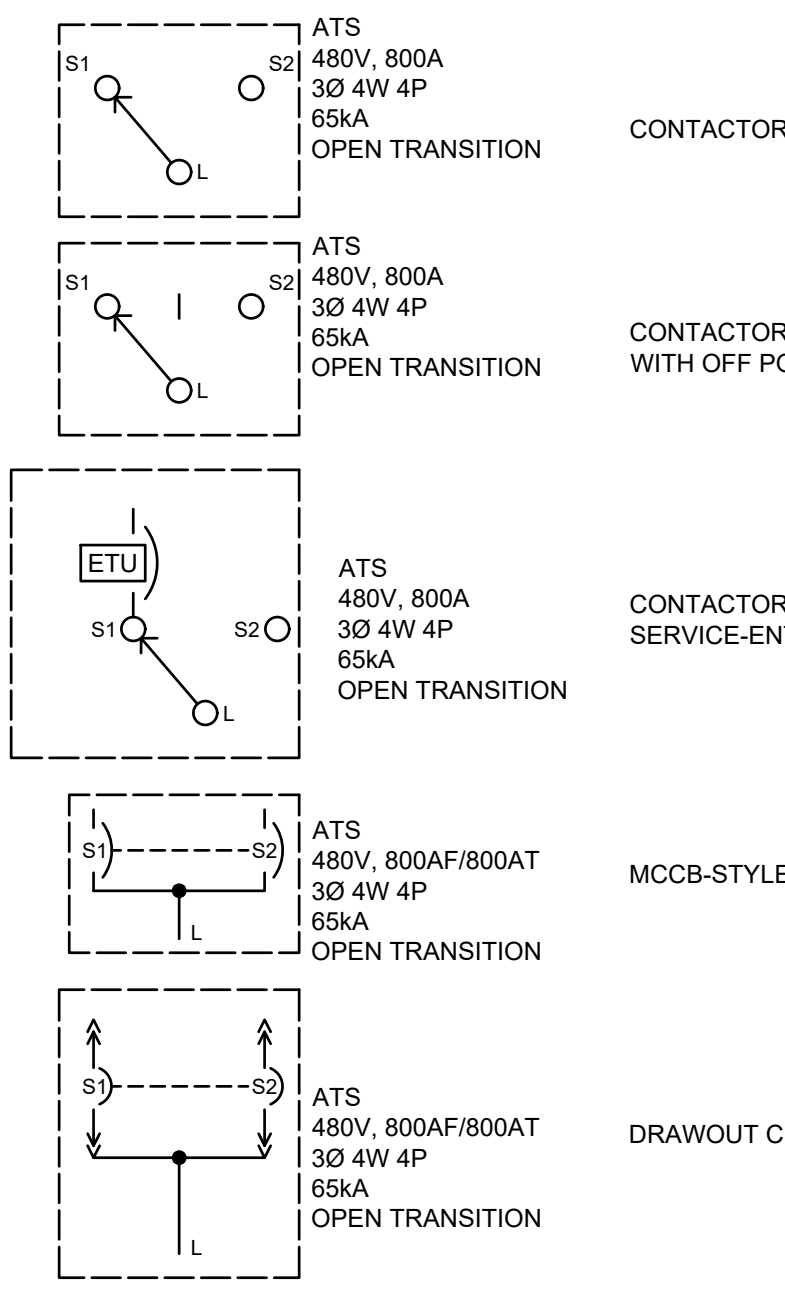
HVAC AND FIRE ALARM



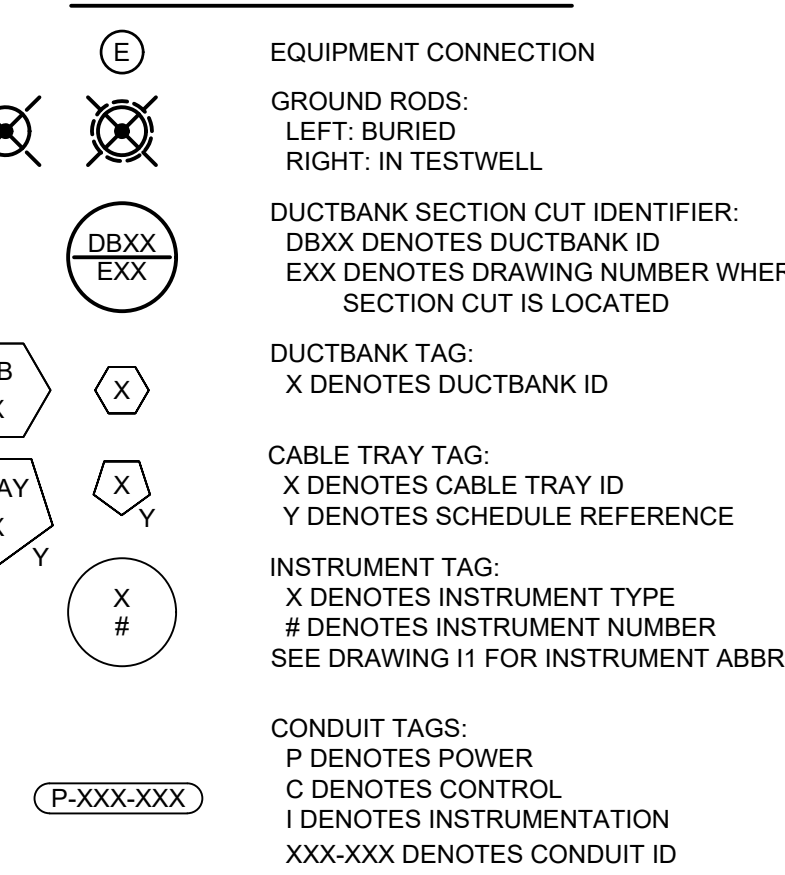
SWITCHES



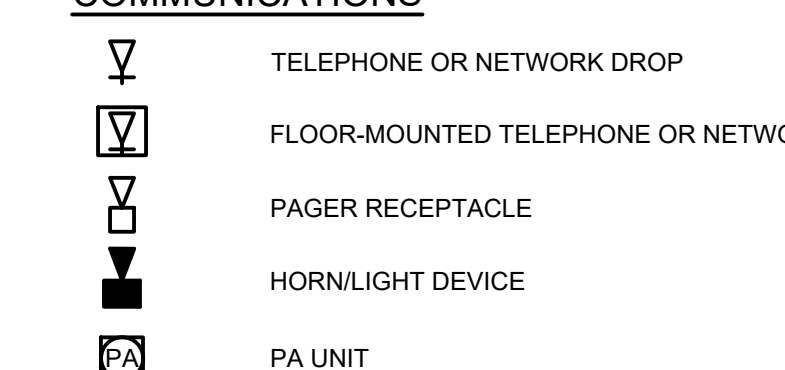
SINGLE-LINE DIAGRAMS



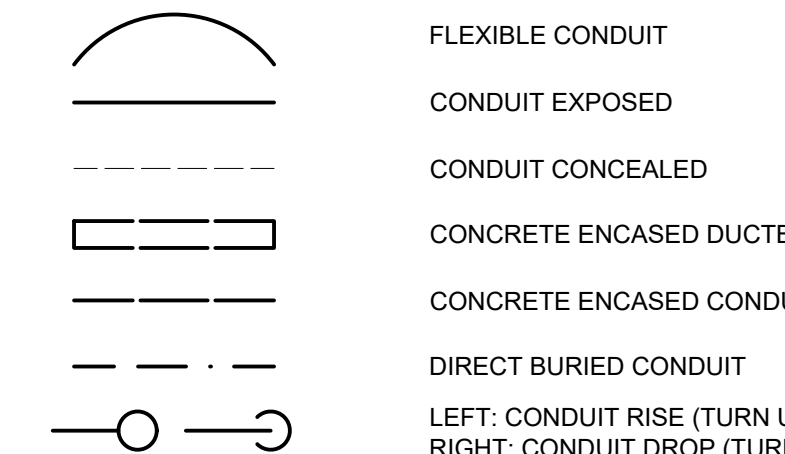
MISC PLAN VIEW SYMBOLS



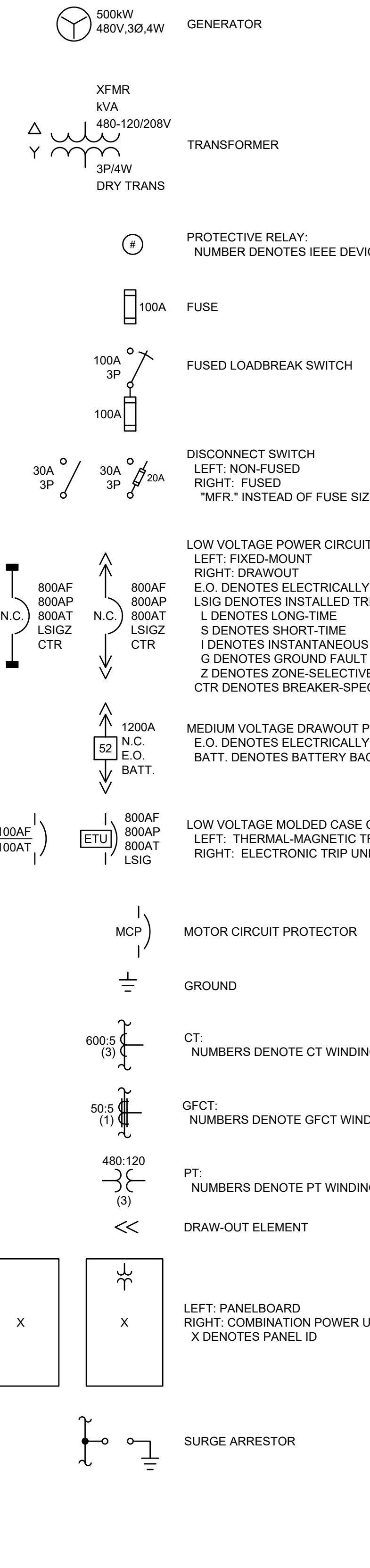
COMMUNICATIONS



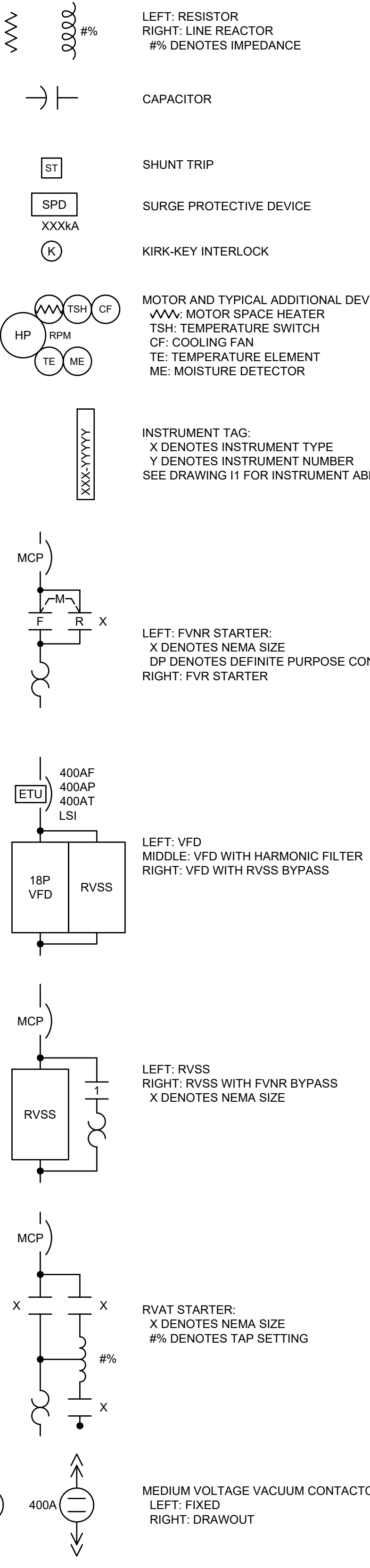
WIRING



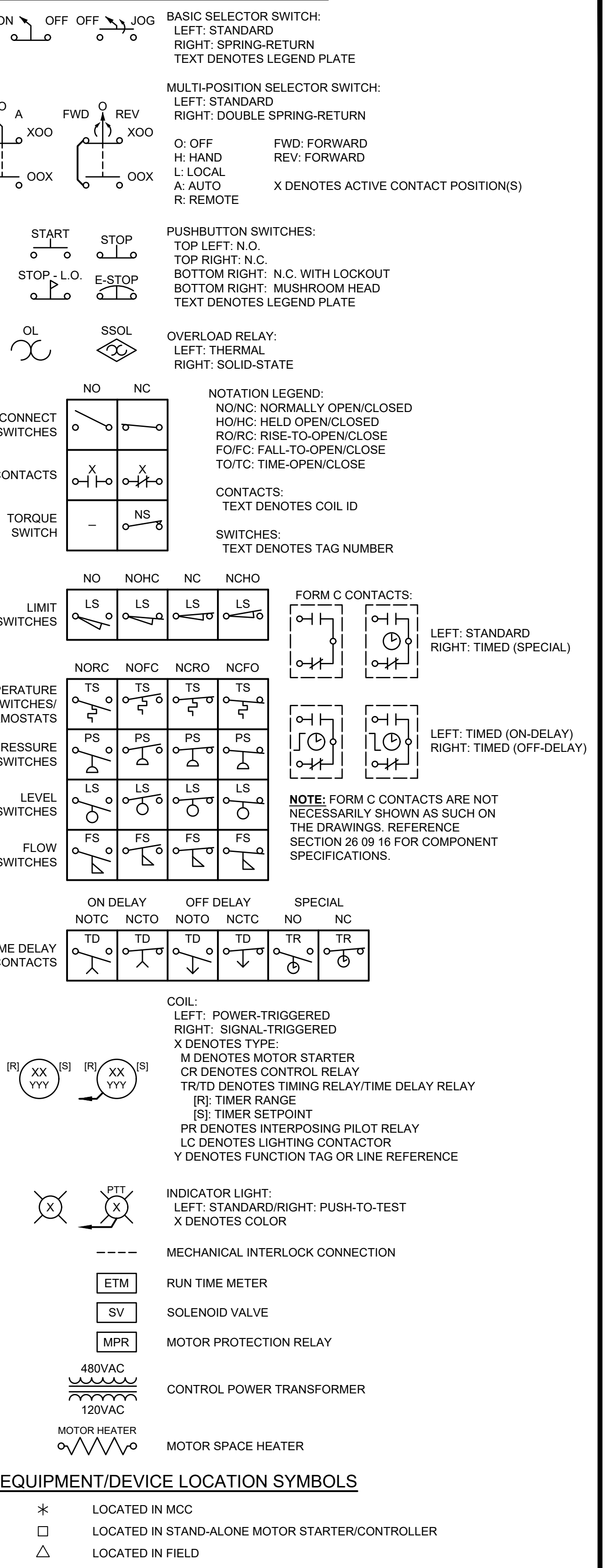
SINGLE-LINE DIAGRAMS, CONT'D.



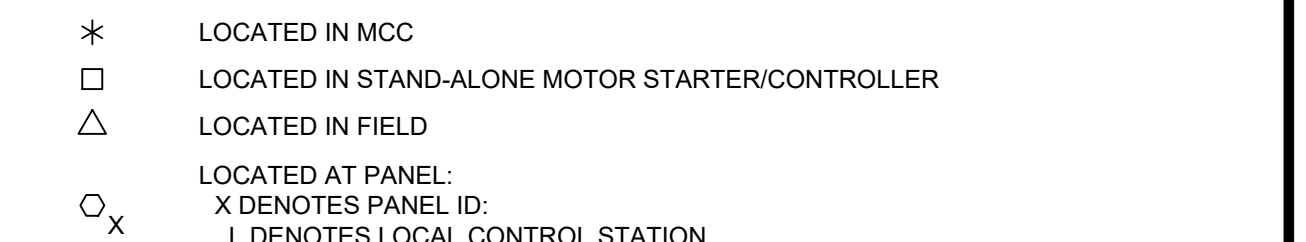
SINGLE-LINE DIAGRAMS, CONT'D.



ELEMENTARY CONTROL SCHEMATICS



EQUIPMENT/DEVICE LOCATION SYMBOLS



GMP SUBMITTAL. DO NOT USE FOR CONSTRUCTION.

FILE: C:\USERS\NINELSON\ACCD\PROJECT FILES\00_ELECTRICAL\E0001 Saved by SCHAVEZ Save date: 11/11/2024 5:13 PM
PLOT DATE: 11/19/2024 1:41 PM BY: NINELSON

Table with columns: REV, ISSUED FOR, DATE, BY

Table with columns: PROJECT MANAGER, DESIGNED BY, DRAWN BY, PROJECT ENGINEER, and a note about scale.



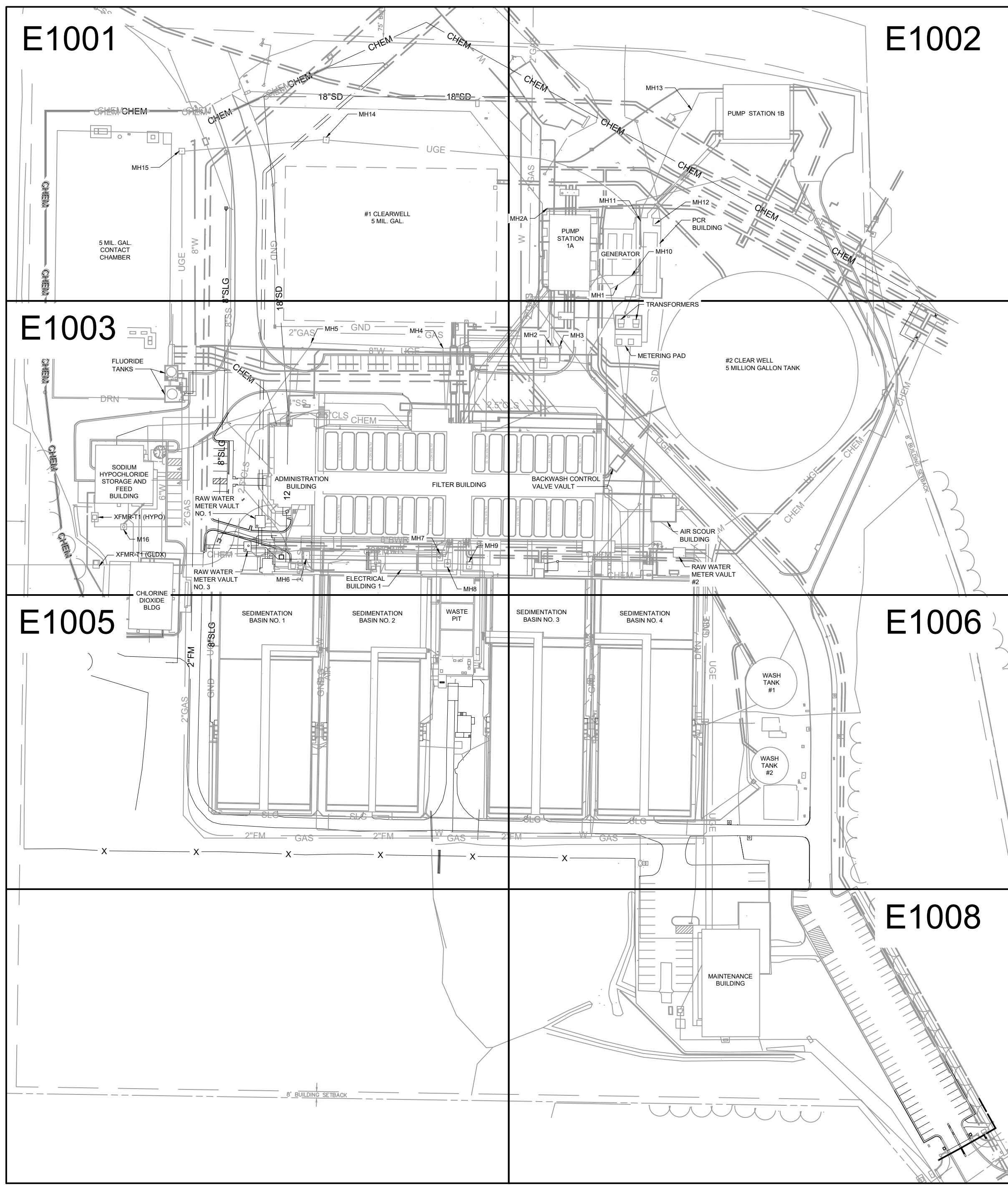
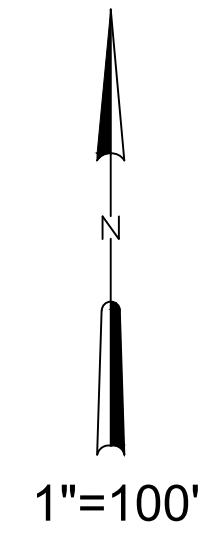
Hazen and Sawyer logo and address: 8150 N. CENTRAL EXPRESSWAY TOWER II - SUITE 700 DALLAS, TEXAS 75206

CENTRAL ARKANSAS WATER LITTLE ROCK, ARKANSAS
JACK H. WILSON WTP RENEWAL AND RESILIENCY PROJECT

ELECTRICAL LEGEND AND SYMBOLS

Table with columns: DATE, HAZEN NO., CONTRACT NO., DRAWING NUMBER

NOTES:
 1. REFERENCE RECORD DRAWINGS FOR EXISTING DUCTBANKS.



File: C:\USERS\NNIELSON\Documents\HAZEN AND SAWYER\60711-001_WILSON_WTP_REHAB_FILTER_BASINPROJECT FILES\910_ELECTRICAL\E1000_Saved by SREXHEPI Save date: 11/19/2024 2:55 PM
 PLOT DATE: 11/19/2024 1:41 PM BY: NNIELSON

GMP SUBMITTAL. DO NOT USE FOR CONSTRUCTION.

REV	ISSUED FOR	DATE	BY

PROJECT MANAGER:	T. HUDSON
DESIGNED BY:	S. REXHEPI
DRAWN BY:	S. REXHEPI
PROJECT ENGINEER:	B. BUELTEL
IF THIS BAR DOES NOT MEASURE 1" THEN DRAWING IS NOT TO FULL SCALE 	



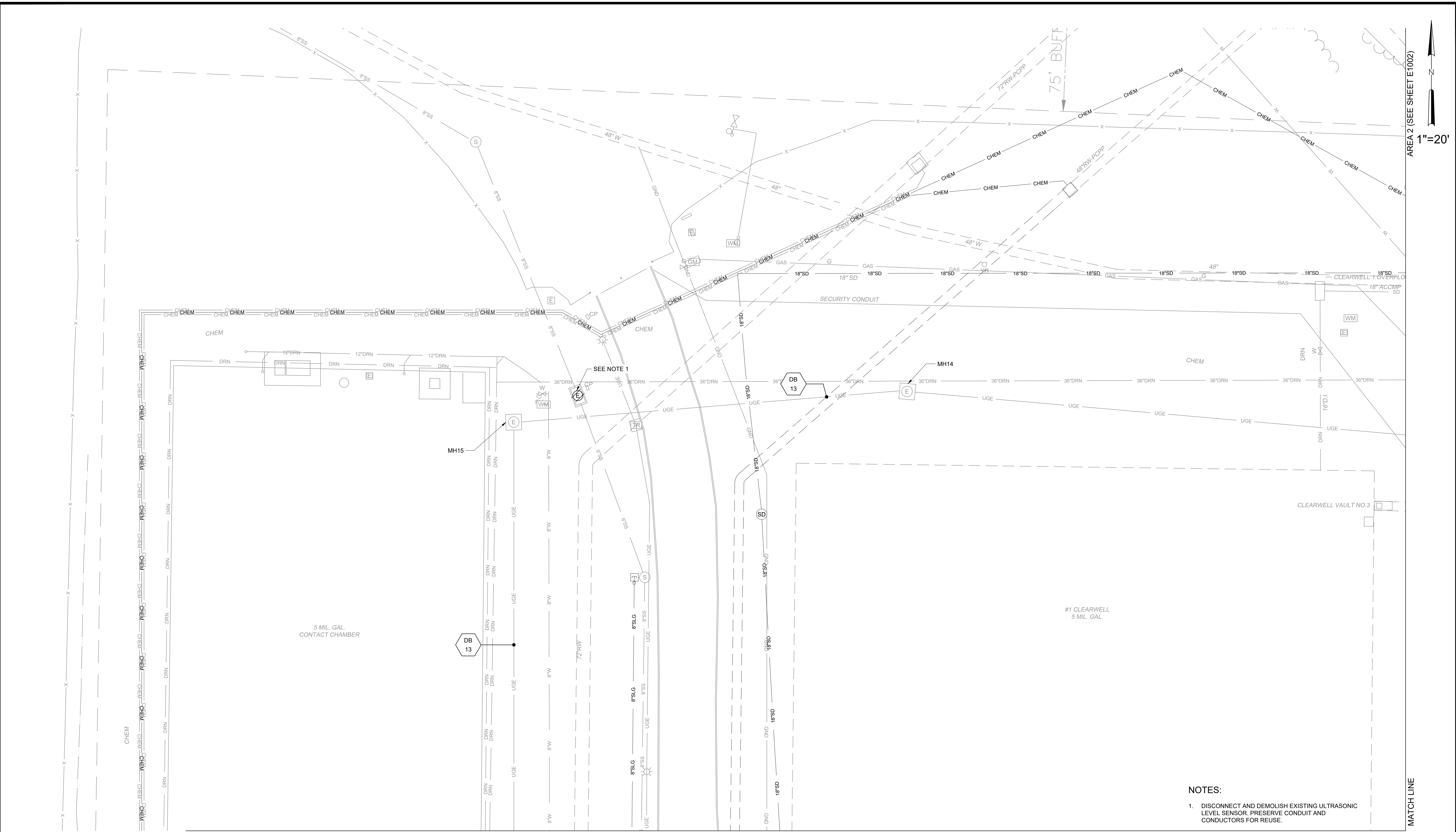
Hazen
 HAZEN AND SAWYER
 8150 N. CENTRAL EXPRESSWAY
 TOWER II - SUITE 700
 DALLAS, TEXAS 75206

CENTRAL ARKANSAS WATER
 LITTLE ROCK, ARKANSAS
 JACK H. WILSON WTP RENEWAL AND
 RESILIENCY PROJECT

ELECTRICAL
 DEMOLITION SITE PLAN

DATE:	NOVEMBER 2024
HAZEN NO.:	60711-003
CONTRACT NO.:	1
DRAWING NUMBER:	E1000

File: C:\USERS\NINELSON\ACCD\HAZEN AND SAWYER\PROJECT FILES\WTP_REHAB_FILTER_BASIN\PROJECT FILES\ELECTRICAL\E1001 Saved by NINELSON Save date: 11/22/2024 2:51 PM
 PLOT DATE: 11/19/2024 1:41 PM BY: NINELSON



AREA 2 (SEE SHEET E1002)
 1"=20'

- NOTES:
- DISCONNECT AND DEMOLISH EXISTING ULTRASONIC LEVEL SENSOR. PRESERVE CONDUIT AND CONDUCTORS FOR REUSE.

AREA 3 (SEE SHEET E1003)

GMP SUBMITTAL. DO NOT USE FOR CONSTRUCTION.

REV	ISSUED FOR	DATE	BY

PROJECT MANAGER:	T. HUDSON
DESIGNED BY:	N. NELSON
DRAWN BY:	N. NELSON
PROJECT ENGINEER:	B. BUELTEL
IF THIS BAR DOES NOT MEASURE 1" THEN DRAWING IS NOT TO FULL SCALE	



Hazen
 HAZEN AND SAWYER
 8150 N. CENTRAL EXPRESSWAY
 TOWER II - SUITE 700
 DALLAS, TEXAS 75206

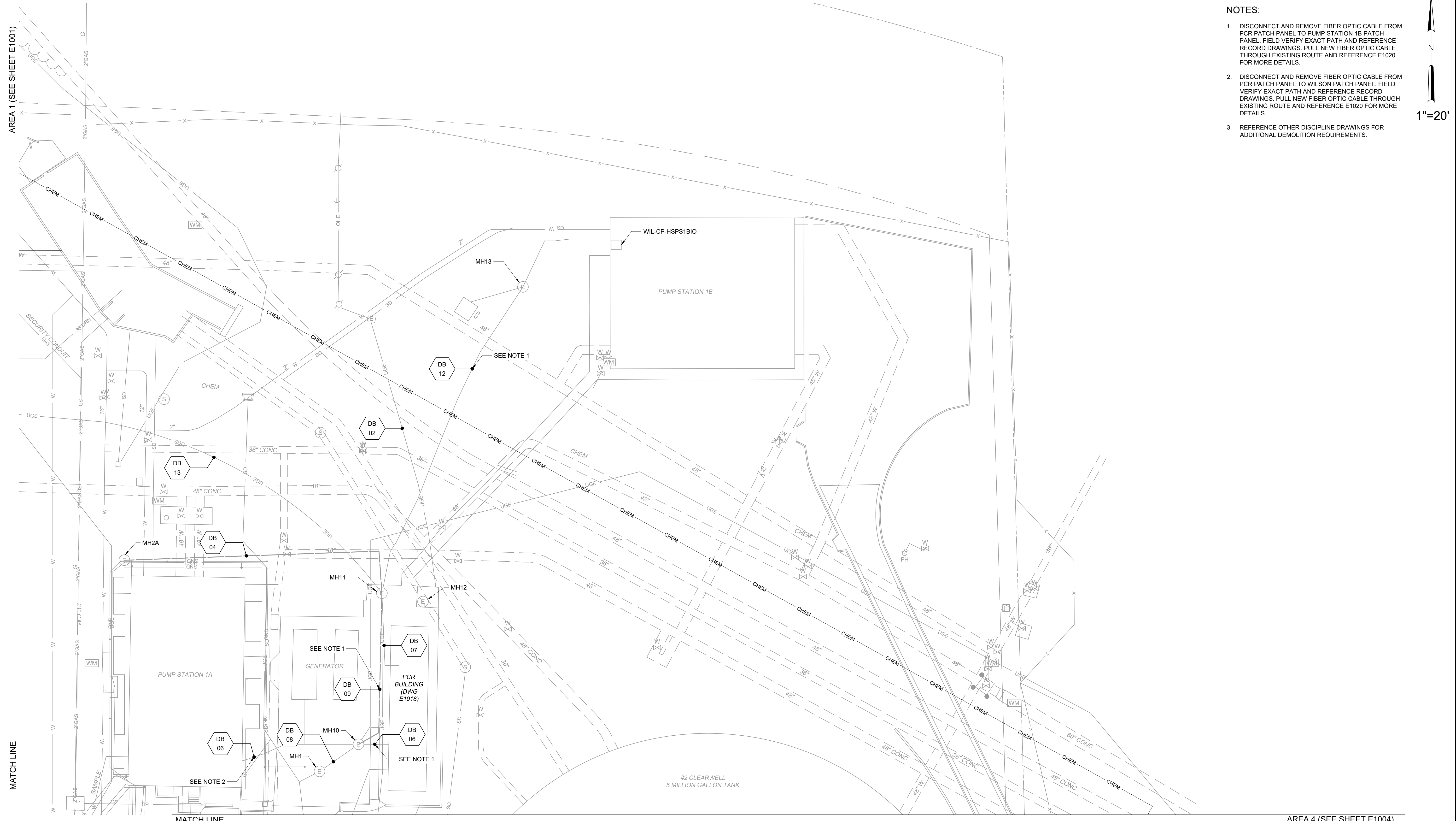
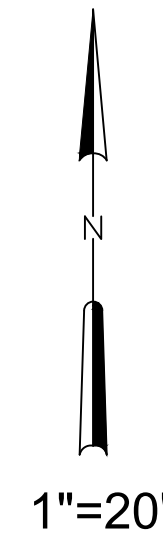
CENTRAL ARKANSAS WATER
 LITTLE ROCK, ARKANSAS
 JACK H. WILSON WTP RENEWAL AND
 RESILIENCY PROJECT

ELECTRICAL
 ENLARGED DEMO PLAN - AREA 1

DATE:	NOVEMBER 2024
HAZEN NO.:	60711-003
CONTRACT NO.:	1
DRAWING NUMBER:	E1001

NOTES:

1. DISCONNECT AND REMOVE FIBER OPTIC CABLE FROM PCR PATCH PANEL TO PUMP STATION 1B PATCH PANEL. FIELD VERIFY EXACT PATH AND REFERENCE RECORD DRAWINGS. PULL NEW FIBER OPTIC CABLE THROUGH EXISTING ROUTE AND REFERENCE E1020 FOR MORE DETAILS.
2. DISCONNECT AND REMOVE FIBER OPTIC CABLE FROM PCR PATCH PANEL TO WILSON PATCH PANEL. FIELD VERIFY EXACT PATH AND REFERENCE RECORD DRAWINGS. PULL NEW FIBER OPTIC CABLE THROUGH EXISTING ROUTE AND REFERENCE E1020 FOR MORE DETAILS.
3. REFERENCE OTHER DISCIPLINE DRAWINGS FOR ADDITIONAL DEMOLITION REQUIREMENTS.



AREA 4 (SEE SHEET E1004)
GMP SUBMITTAL. DO NOT USE FOR CONSTRUCTION.

File: C:\USERS\NINELSON\ACCD\HAZEN AND SAWYER\60711-001_WILSON_WTP_REHAB_FILTER_BASIN\PROJECT FILES\00_ELECTRICAL\E1002 Saved by SREXHEP Save date: 10/10/2024 4:32 PM
PLOT DATE: 11/19/2024 1:41 PM BY: NINELSON

REV	ISSUED FOR	DATE	BY

PROJECT MANAGER:	T. HUDSON
DESIGNED BY:	N. NELSON
DRAWN BY:	N. NELSON
PROJECT ENGINEER:	B. BUELTEL
IF THIS BAR DOES NOT MEASURE 1" THEN DRAWING IS NOT TO FULL SCALE	



Hazen
HAZEN AND SAWYER
8150 N. CENTRAL EXPRESSWAY
TOWER II - SUITE 700
DALLAS, TEXAS 75206

CENTRAL ARKANSAS WATER
LITTLE ROCK, ARKANSAS

JACK H. WILSON WTP RENEWAL AND
RESILIENCY PROJECT

ELECTRICAL
ENLARGED DEMO PLAN - AREA 2

DATE:	NOVEMBER 2024
HAZEN NO.:	60711-003
CONTRACT NO.:	1
DRAWING NUMBER:	E1002

MATCH LINE

NOTES:

- DEMOLISH TRANSFORMER PAD, AND PORTIONS OF EXISTING DUCTBANK WHERE POSSIBLE. COORDINATE WITH FIELD CONDITION. REFERENCE DRAWING E1018 FOR ADDITIONAL DETAILS.
- DISCONNECT AND REMOVE FIBER OPTIC CABLE FROM PUMP STATION 1A TO FILTER BUILDING. FIELD VERIFY EXACT PATH AND REFERENCE RECORD DRAWINGS. PULL NEW FIBER OPTIC CABLE THROUGH EXISTING ROUTE AND REFERENCE E1020 FOR MORE DETAILS.
- DISCONNECT AND REMOVE FIBER OPTIC CABLE FROM MH16 TO FIBER PATCH PANEL IN SODIUM HYPOCHLORIDE BUILDING. FIELD VERIFY EXACT PATH AND REFERENCE RECORD DRAWINGS. PULL NEW FIBER OPTIC CABLE THROUGH EXISTING ROUTE AND REFERENCE E1020 FOR MORE DETAILS.
- DISCONNECT AND REMOVE FIBER OPTIC CABLE FROM FIBER PATCH PANEL IN SODIUM HYPOCHLORIDE BUILDING TO FIBER PATCH PANEL IN CHLORINE DIOXIDE BUILDING. FIELD VERIFY EXACT PATH AND REFERENCE RECORD DRAWINGS. PULL NEW FIBER OPTIC CABLE THROUGH EXISTING ROUTE AND REFERENCE E1020 FOR MORE DETAILS.
- DISCONNECT AND REMOVE EXISTING SAMPLE PUMPS P810 AND P820. DEMOLISH EXISTING CONDUCTORS, AND PRESERVE CONDUIT FOR REUSE.
- REFERENCE OTHER DISCIPLINE DRAWINGS FOR ADDITIONAL DEMOLITION REQUIREMENTS.

5 MIL. GAL. CONTACT CHAMBER

FLUORIDE TANKS DWG E6200

SEE NOTE 3

SEE NOTE 1

MATCH LINE

MATCH LINE

AREA 5 (SEE SHEET E1005)

AREA 1

AREA 4

1"=20'

MATCH LINE

File: C:\USERS\NINELSON\ACCD\CD\HAZEN AND SAWYER\60711-001_WILSON_WTP_REHAB_FILTER_BASINPROJECT FILES\00_ELECTRICAL\E1003 Saved by NNINELSON Save date: 11/15/2024 3:52 PM
PLOT DATE: 11/19/2024 1:42 PM BY: NNINELSON

REV	ISSUED FOR	DATE	BY

PROJECT MANAGER:	T. HUDSON
DESIGNED BY:	N. NELSON
DRAWN BY:	N. NELSON
PROJECT ENGINEER:	B. BUELTEL
IF THIS BAR DOES NOT MEASURE 1" THEN DRAWING IS NOT TO FULL SCALE	0 1/2" 1"

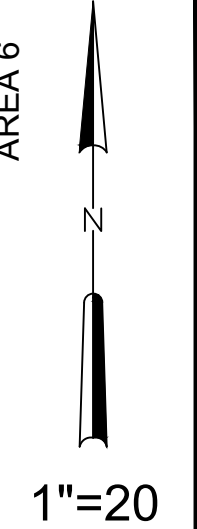


Hazen
HAZEN AND SAWYER
8150 N. CENTRAL EXPRESSWAY
TOWER II - SUITE 700
DALLAS, TEXAS 75206

CENTRAL ARKANSAS WATER
LITTLE ROCK, ARKANSAS
JACK H. WILSON WTP RENEWAL AND
RESILIENCY PROJECT

ELECTRICAL
ENLARGED DEMO PLAN - AREA 3

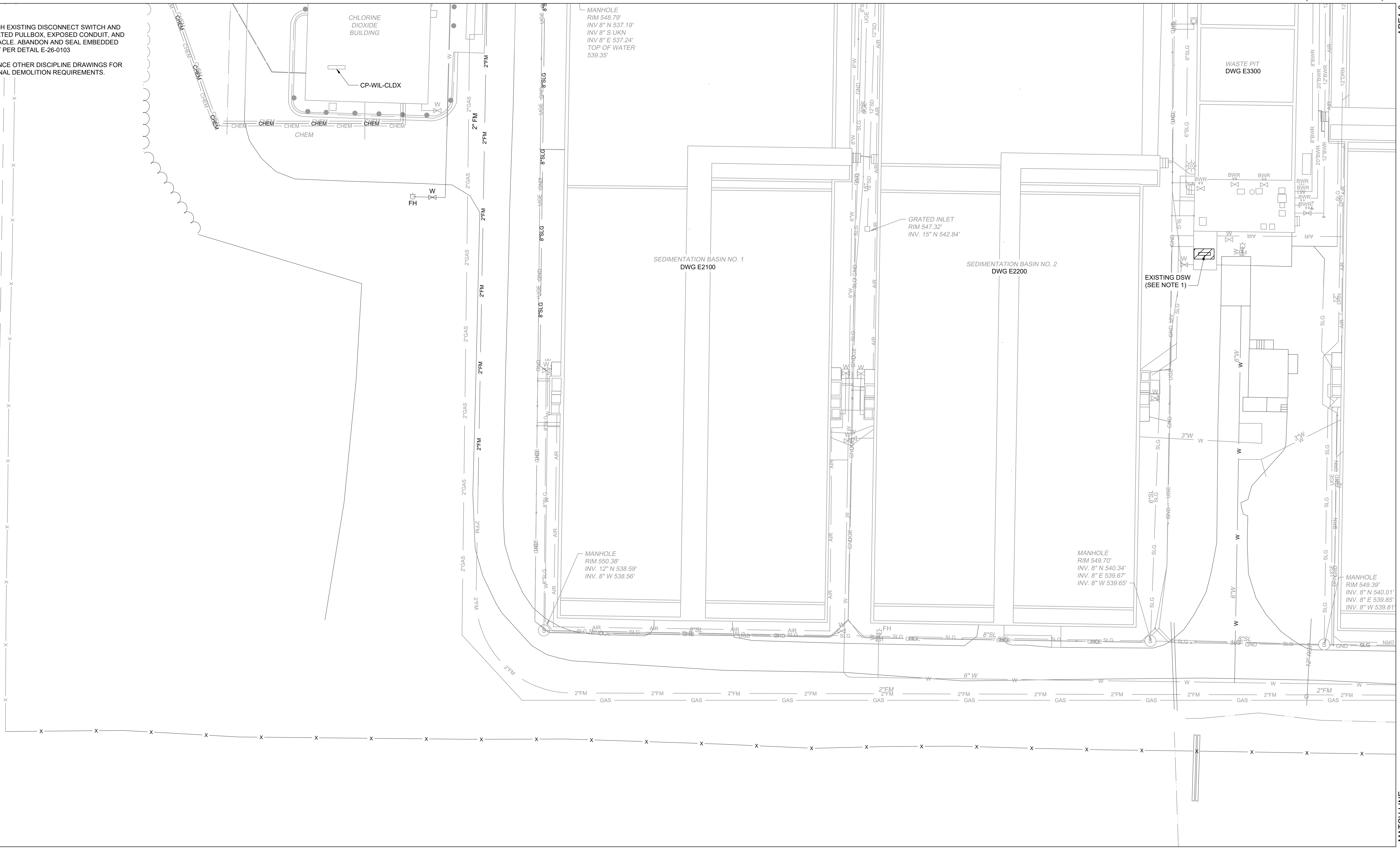
DATE:	NOVEMBER 2024
HAZEN NO.:	60711-003
CONTRACT NO.:	1
DRAWING NUMBER:	E1003



MATCH LINE

NOTES:

- DEMOLISH EXISTING DISCONNECT SWITCH AND ASSOCIATED PULLBOX, EXPOSED CONDUIT, AND RECEPTACLE. ABANDON AND SEAL EMBEDDED CONDUIT PER DETAIL E-26-0103
- REFERENCE OTHER DISCIPLINE DRAWINGS FOR ADDITIONAL DEMOLITION REQUIREMENTS.



MATCH LINE

MATCH LINE

AREA 7

GMP SUBMITTAL. DO NOT USE FOR CONSTRUCTION.

File: C:\USERS\NINELSON\ACCD\Hazen\JACK_HILSON\WTP_REHAB_FILTER_BASINPROJECT FILES\00_ELECTRICAL\1005 Saved by SREXHEP Save date: 10/10/2024 4:19 PM
PLOT DATE: 11/19/2024 1:42 PM BY: NINELSON

REV	ISSUED FOR	DATE	BY

PROJECT MANAGER:	T. HUDSON
DESIGNED BY:	N. NELSON
DRAWN BY:	N. NELSON
PROJECT ENGINEER:	B. BUELTEL
IF THIS BAR DOES NOT MEASURE 1" THEN DRAWING IS NOT TO FULL SCALE	



Hazen
HAZEN AND SAWYER
8150 N. CENTRAL EXPRESSWAY
TOWER II - SUITE 700
DALLAS, TEXAS 75206

CENTRAL ARKANSAS WATER
LITTLE ROCK, ARKANSAS

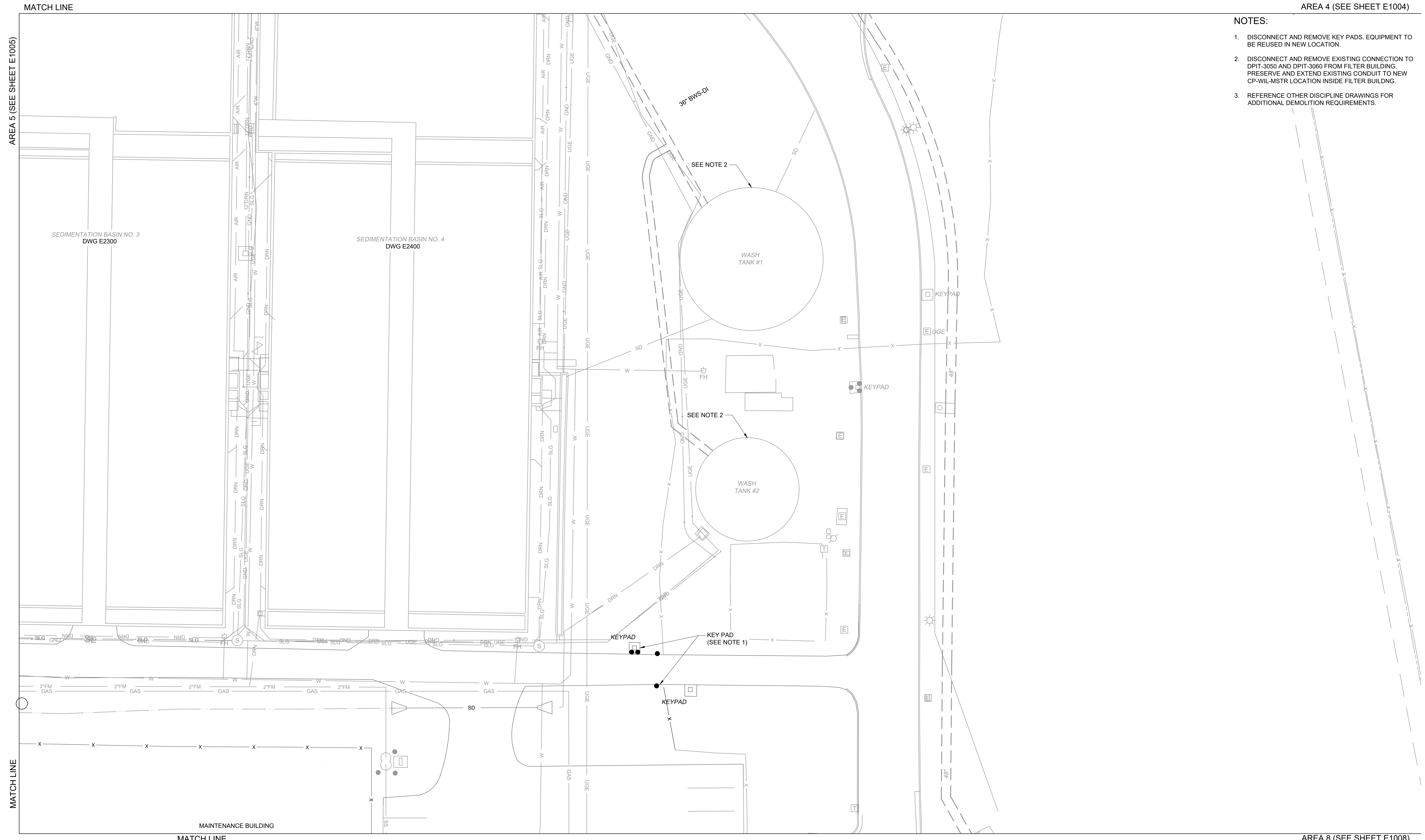
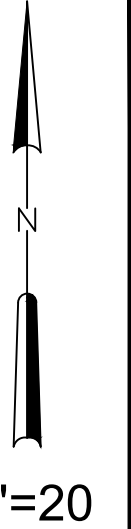
JACK H. WILSON WTP RENEWAL AND
RESILIENCY PROJECT

ELECTRICAL
ENLARGED DEMO PLAN - AREA 5

DATE:	NOVEMBER 2024
HAZEN NO.:	60711-1003
CONTRACT NO.:	1
DRAWING NUMBER:	E1005

NOTES:

1. DISCONNECT AND REMOVE KEY PADS. EQUIPMENT TO BE REUSED IN NEW LOCATION.
2. DISCONNECT AND REMOVE EXISTING CONNECTION TO DPIT-3050 AND DPIT-3060 FROM FILTER BUILDING. PRESERVE AND EXTEND EXISTING CONDUIT TO NEW CP-WIL-MSTR LOCATION INSIDE FILTER BUILDING.
3. REFERENCE OTHER DISCIPLINE DRAWINGS FOR ADDITIONAL DEMOLITION REQUIREMENTS.



GMP SUBMITTAL. DO NOT USE FOR CONSTRUCTION.

File: C:\USERS\NINELSON\ACCD\CC\HAZEN AND SAWYER\60711-001_WILSON_WTP_REHAB_FILTER_BASINPROJECT FILES\00_ELECTRICAL\E1006 Saved by SREXHEPJ Save date: 11/19/2024 2:47 PM
 PLOT DATE: 11/19/2024 1:42 PM BY: NINELSON

REV	ISSUED FOR	DATE	BY

PROJECT MANAGER:	T. HUDSON
DESIGNED BY:	N. NELSON
DRAWN BY:	N. NELSON
PROJECT ENGINEER:	B. BUELTEL
IF THIS BAR DOES NOT MEASURE 1" THEN DRAWING IS NOT TO FULL SCALE	



Hazen

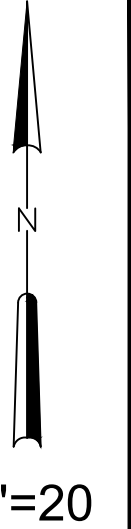
HAZEN AND SAWYER
 8150 N. CENTRAL EXPRESSWAY
 TOWER II - SUITE 700
 DALLAS, TEXAS 75206

CENTRAL ARKANSAS WATER
 LITTLE ROCK, ARKANSAS

JACK H. WILSON WTP RENEWAL AND
 RESILIENCY PROJECT

ELECTRICAL
 ENLARGED DEMO PLAN - AREA 6

DATE:	NOVEMBER 2024
HAZEN NO.:	60711-003
CONTRACT NO.:	1
DRAWING NUMBER:	E1006



NOTES:

1. DISCONNECT AND DEMOLISH GATE OPERATORS. PRESERVE CONDUCTORS FOR REUSE.
2. DISCONNECT AND DEMOLISH LIGHT POLE AND CAMERA. LIGHT POLE EQUIPMENT TO BE REUSED IN NEW GATE LOCATION.
3. DISCONNECT AND DEMOLISH ELECTRICAL EQUIPMENT AND CARD READER.
4. DISCONNECT AND DEMOLISH DUCTBANK AND CONDUITS UP TO THIS POINT. INTERCEPT AND EXTEND DUCTBANK AND CONDUITS TO NEW LOCATION. REFERENCE E1017 FOR NEW LOCATION.
5. REFERENCE OTHER DISCIPLINE DRAWINGS FOR ADDITIONAL DEMOLITION REQUIREMENTS.

MATCH LINE

AREA 7

MATCH LINE



GMP SUBMITTAL. DO NOT USE FOR CONSTRUCTION.

File: C:\USERS\NINELSON\ACCD\Hazen\PROJECT FILES\00_ELECTRICAL\E1008 Saved by SREXHEP1 Save date: 11/19/2024 3:43 PM
PLOT DATE: 11/19/2024 1:42 PM BY: NINELSON

REV	ISSUED FOR	DATE	BY

PROJECT MANAGER:	T. HUDSON
DESIGNED BY:	N. NELSON
DRAWN BY:	N. NELSON
PROJECT ENGINEER:	B. BUELTEL
IF THIS BAR DOES NOT MEASURE 1" THEN DRAWING IS NOT TO FULL SCALE	



Hazen
HAZEN AND SAWYER
8150 N. CENTRAL EXPRESSWAY
TOWER II - SUITE 700
DALLAS, TEXAS 75206

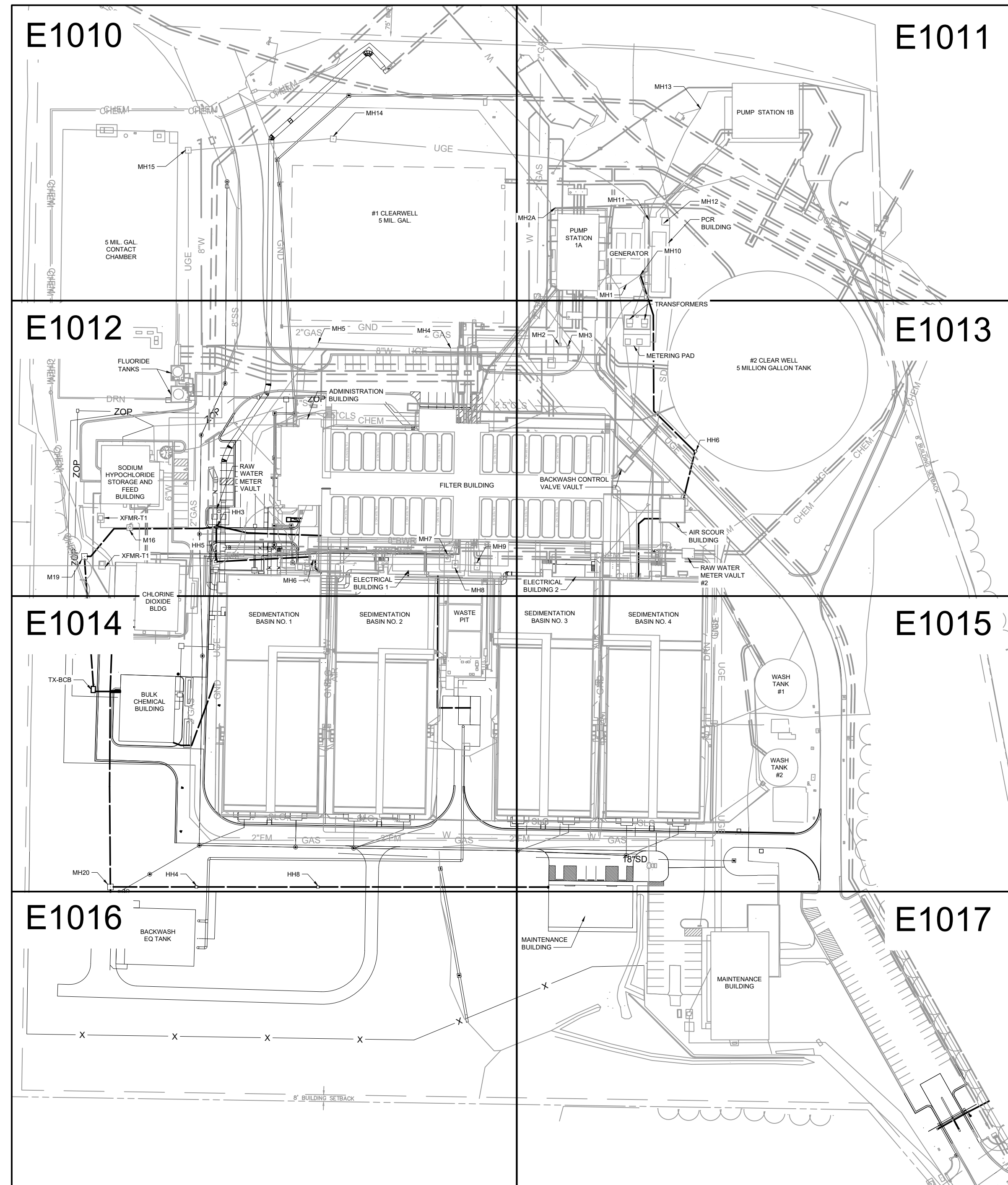
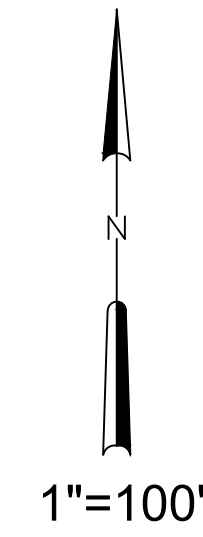
CENTRAL ARKANSAS WATER
LITTLE ROCK, ARKANSAS

JACK H. WILSON WTP RENEWAL AND
RESILIENCY PROJECT

ELECTRICAL
ENLARGED DEMO PLAN - AREA 8

DATE:	NOVEMBER 2024
HAZEN NO.:	60711-003
CONTRACT NO.:	1
DRAWING NUMBER:	E1008

NOTES:
 1. REFERENCE RECORD DRAWINGS FOR EXISTING DUCTBANKS.



File: C:\USERS\NINELSON\DRAWINGS\HAZEN AND SAWYER\60711-001_WILSON_WTP_REHAB_FILTER_BASINPROJECT FILES\00_ELECTRICAL\E1009_Saved by SREXHEPI Save date: 11/17/2024 5:22 PM
 PLOT DATE: 11/19/2024 1:42 PM BY: NINELSON

GMP SUBMITTAL. DO NOT USE FOR CONSTRUCTION.

REV	ISSUED FOR	DATE	BY

PROJECT MANAGER:	T. HUDSON
DESIGNED BY:	S. REXHEPI
DRAWN BY:	S. REXHEPI
PROJECT ENGINEER:	B. BUELTEL
IF THIS BAR DOES NOT MEASURE 1" THEN DRAWING IS NOT TO FULL SCALE	



Hazen
 HAZEN AND SAWYER
 8150 N. CENTRAL EXPRESSWAY
 TOWER II - SUITE 700
 DALLAS, TEXAS 75206

CENTRAL ARKANSAS WATER
 LITTLE ROCK, ARKANSAS

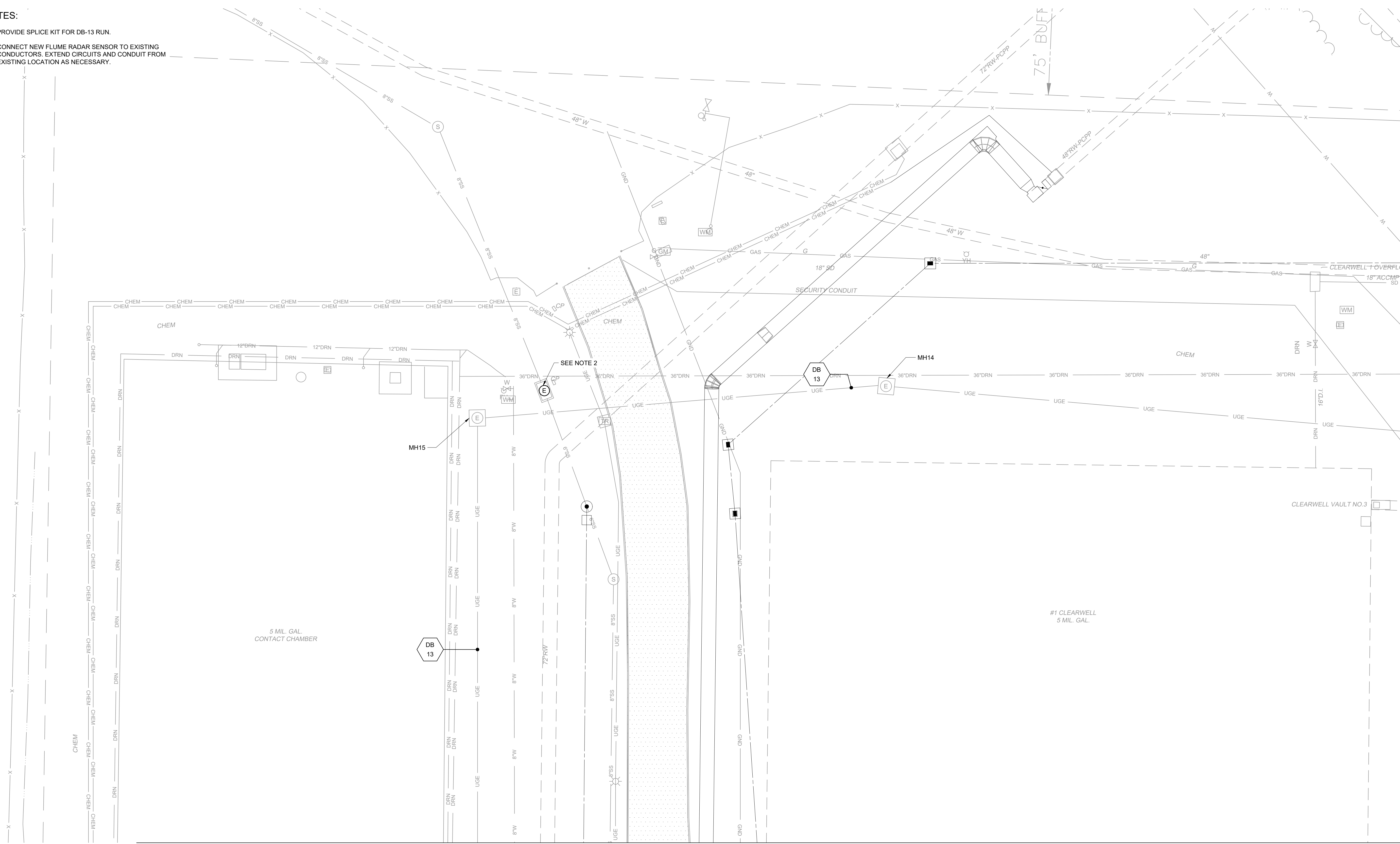
JACK H. WILSON WTP RENEWAL AND
 RESILIENCY PROJECT

ELECTRICAL
 PROPOSED SITE PLAN

DATE:	NOVEMBER 2024
HAZEN NO.:	60711-003
CONTRACT NO.:	1
DRAWING NUMBER:	E1009

- NOTES:
1. PROVIDE SPLICE KIT FOR DB-13 RUN.
 2. CONNECT NEW FLUME RADAR SENSOR TO EXISTING CONDUCTORS. EXTEND CIRCUITS AND CONDUIT FROM EXISTING LOCATION AS NECESSARY.

AREA 2 (SEE SHEET E1011)
1"=20'



MATCH LINE
#1 CLEARWELL 5 MIL. GAL.
CLEARWELL VAULT NO. 3
AREA 3 (SEE SHEET E1012)

GMP SUBMITTAL. DO NOT USE FOR CONSTRUCTION.

File: C:\USERS\NINELSON\ACCD\Hazen and Sawyer\60711-001_WILSON_WTP_REHAB_FILTER_BASINPROJECT FILES\00_ELECTRICAL\E1010 Saved by SREXHEPI Save date: 11/17/2024 9:52 PM
PLOT DATE: 11/19/2024 1:43 PM BY: NINELSON

REV	ISSUED FOR	DATE	BY

PROJECT MANAGER:	T. HUDSON
DESIGNED BY:	S. REXHEPI
DRAWN BY:	S. REXHEPI
PROJECT ENGINEER:	B. BUELTEL
IF THIS BAR DOES NOT MEASURE 1" THEN DRAWING IS NOT TO FULL SCALE	0 1/2" 1"



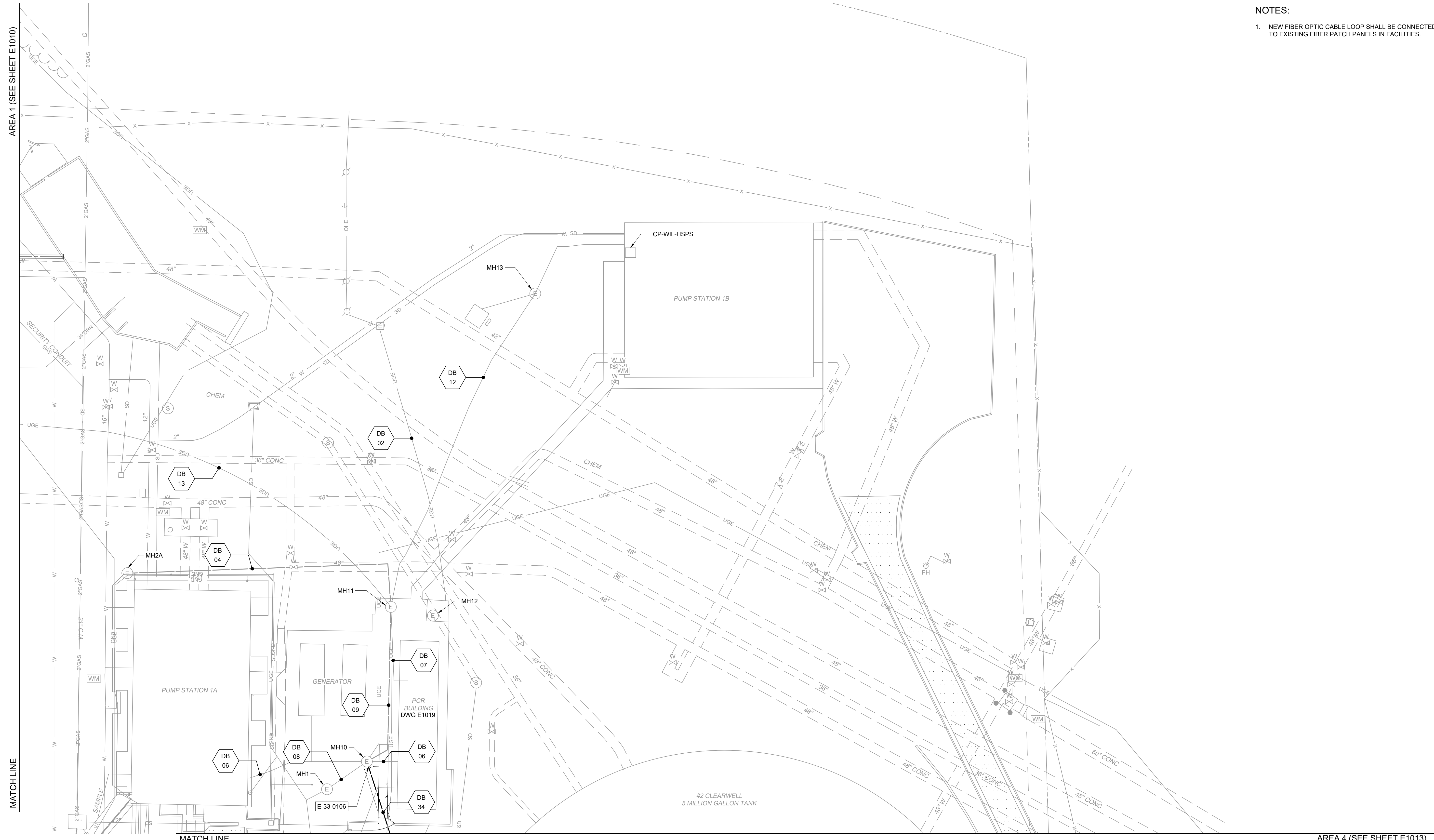
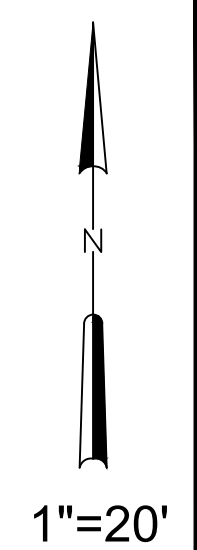
Hazen
HAZEN AND SAWYER
8150 N. CENTRAL EXPRESSWAY
TOWER II - SUITE 700
DALLAS, TEXAS 75206

CENTRAL ARKANSAS WATER
LITTLE ROCK, ARKANSAS
JACK H. WILSON WTP RENEWAL AND
RESILIENCY PROJECT

ELECTRICAL
ENLARGED PLAN - AREA 1

DATE:	NOVEMBER 2024
HAZEN NO.:	60711-003
CONTRACT NO.:	1
DRAWING NUMBER:	E1010

NOTES:
 1. NEW FIBER OPTIC CABLE LOOP SHALL BE CONNECTED TO EXISTING FIBER PATCH PANELS IN FACILITIES.



AREA 4 (SEE SHEET E1013)

GMP SUBMITTAL. DO NOT USE FOR CONSTRUCTION.

File: C:\USERS\NINNELSON\ACCD\CHAZEN AND SAWYER\60711-001_WILSON_WTP_REHAB_FILTER_BASIN\PROJECT FILES\00_ELECTRICAL\E1011 Saved by SREXHEPI Save date: 10/10/2024 4:34 PM
 PLOT DATE: 11/19/2024 1:43 PM BY: NINNELSON

REV	ISSUED FOR	DATE	BY

PROJECT MANAGER:	T. HUDSON
DESIGNED BY:	S. REXHEPI
DRAWN BY:	S. REXHEPI
PROJECT ENGINEER:	B. BUELTEL
IF THIS BAR DOES NOT MEASURE 1" THEN DRAWING IS NOT TO FULL SCALE	



Hazen
 HAZEN AND SAWYER
 8150 N. CENTRAL EXPRESSWAY
 TOWER II - SUITE 700
 DALLAS, TEXAS 75206

CENTRAL ARKANSAS WATER
 LITTLE ROCK, ARKANSAS
 JACK H. WILSON WTP RENEWAL AND
 RESILIENCY PROJECT

ELECTRICAL
 ENLARGED PLAN - AREA 2

DATE:	NOVEMBER 2024
HAZEN NO.:	60711-003
CONTRACT NO.:	1
DRAWING NUMBER:	E1011

MATCH LINE

AREA 1 (SEE SHEET E1010)

NOTES:

- USE EXISTING WALKER DUCT FROM EB1 TO EB2 CONNECTION FROM EB1 TO WALKER DUCT WILL BE THROUGH EXPOSED CONDUIT.
- STUB UP AND CONTINUE UP TO SLAB AND ROUTE THE REST OF THE EXPOSED CONDUIT THROUGH THE BUILDING ABOVE GROUND TO FPP-WIL-FB.
- INTERCEPT EXISTING DUCTBANK FROM T-1 TO ADMIN BUILDING AND EXTEND TO NEW TRANSFORMER LOCATION.
- COORDINATE DUCTBANK ELEVATION ACCORDINGLY WITH CONFLICTING PIPE.
- USE EXISTING WALKER DUCT FROM DB-37 TO EB1. ROUTE CONDUIT UP THE WALL THEN CORE DRILL INTO THE SIDE OF THE BASIN TO THE WALKER DUCT.
- ROUTE TEMPORARY CONDUIT AND WIRE TO MCC-FLOC-3 AND MCC-FLOC-4 ALONG BASIN AND WALKWAY TO ELECTRICAL BUILDING 2.
- EXTEND EXISTING CONDUIT FROM DEMOLISHED SAMPLE PUMP LOCATION TO NEW CHLORINE CONTACT SAMPLE PUMPS. SEE SHEET E8010 FOR PANEL SCHEDULE AND RISER. REFERENCE SHEET M8200 FOR CHLORINE CONTACT SAMPLE PUMP DETAILS.

SEE NOTE 7

5 MIL. GAL. CONTACT CHAMBER

CHLORINE CONTACT SAMPLE PUMPS Nos. 1 AND 2

FLUORIDE TANKS DWG E6200

SODIUM HYPOCHLORIDE STORAGE AND FEED BUILDING DWG E6000

ADMINISTRATION BUILDING DWG E8000

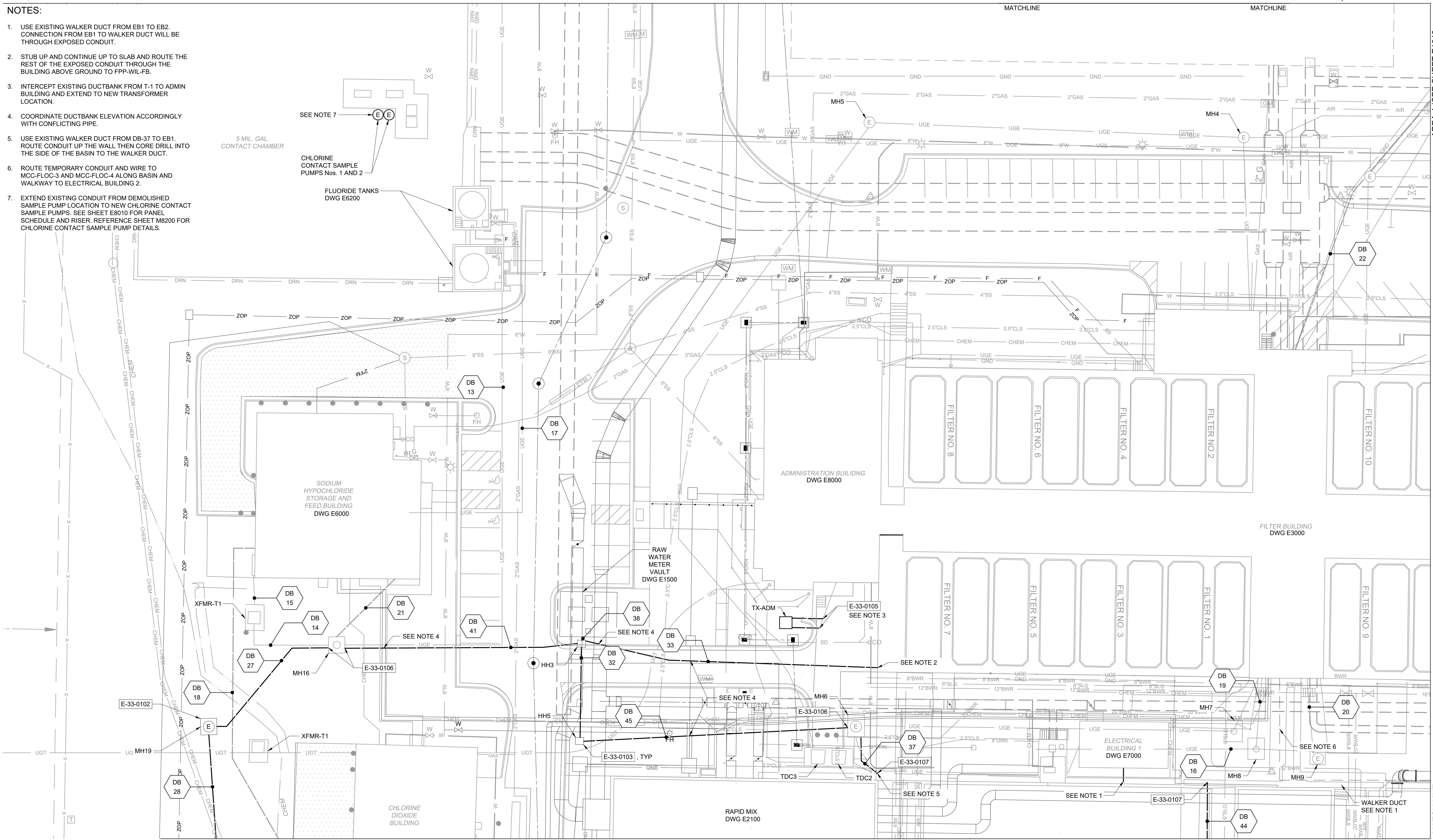
RAW WATER METER VAULT DWG E1500

FILTER BUILDING DWG E3000

ELECTRICAL BUILDING 1 DWG E7000

RAPID MIX DWG E2100

CHLORINE DIOXIDE BUILDING



1"=20'

AREA 4 (SEE SHEET E1013)

MATCH LINE

AREA 5 (SEE SHEET E1014)

GMP SUBMITTAL. DO NOT USE FOR CONSTRUCTION.

File: C:\USERS\NINNELSON\ACCD\CD\HAZEN AND SAWYER\60711-001_WILSON_WTP_REHAB_FILTER_BASIN\PROJECT FILES\900_ELECTRICAL\E1012 Saved by SREXHEPI Save date: 11/17/2024 5:06 PM PLOT DATE: 11/19/2024 1:43 PM BY: NINNELSON

REV	ISSUED FOR	DATE	BY

PROJECT MANAGER:	T. HUDSON
DESIGNED BY:	S. REXHEPI
DRAWN BY:	S. REXHEPI
PROJECT ENGINEER:	B. BUELTEL
IF THIS BAR DOES NOT MEASURE 1" THEN DRAWING IS NOT TO FULL SCALE	0 1/2" 1"



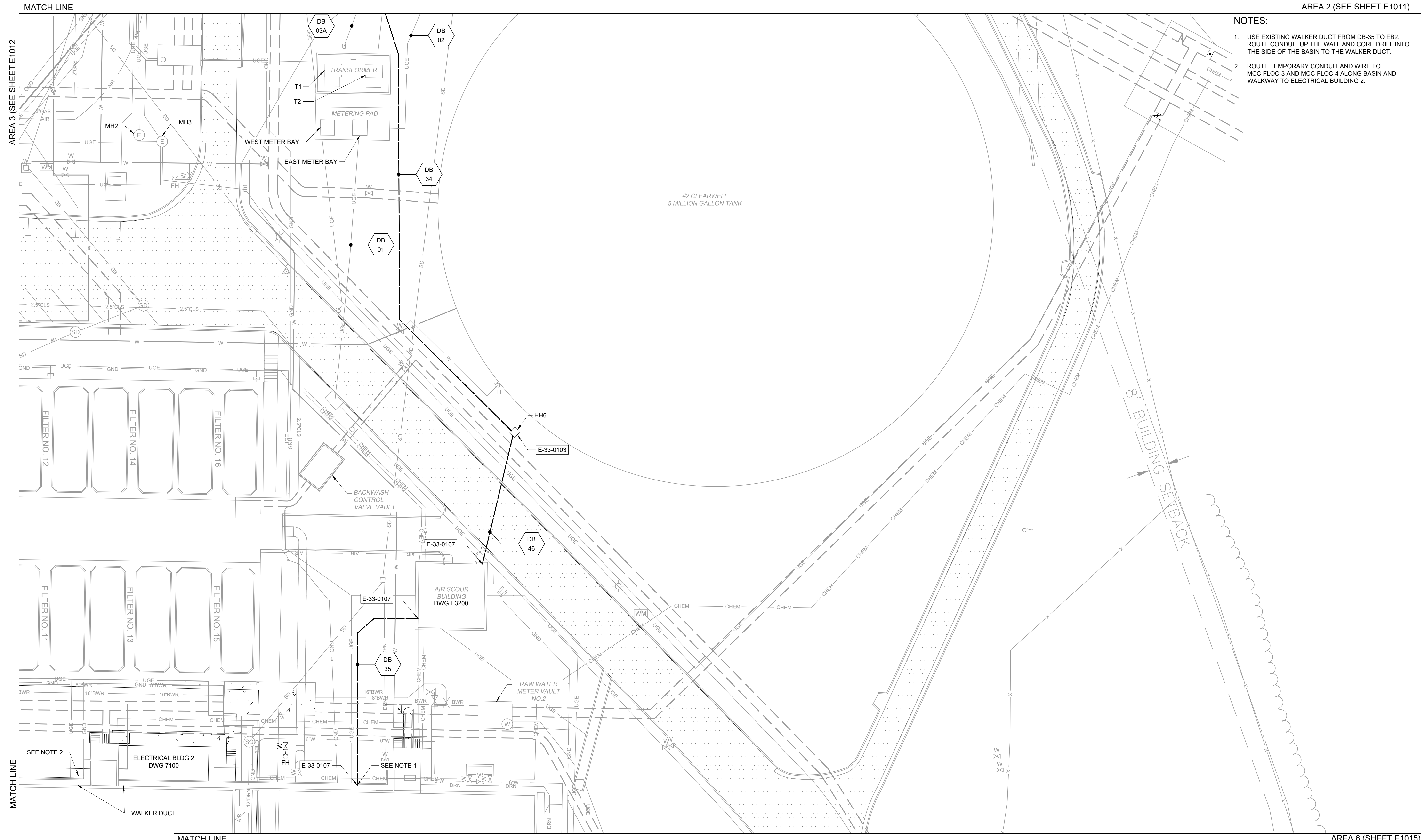
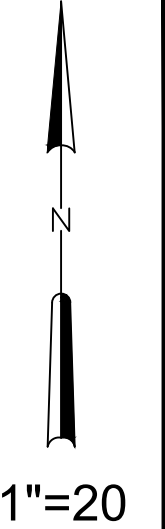
Hazen
HAZEN AND SAWYER
8150 N. CENTRAL EXPRESSWAY
TOWER II - SUITE 700
DALLAS, TEXAS 75206

CENTRAL ARKANSAS WATER
LITTLE ROCK, ARKANSAS
JACK H. WILSON WTP RENEWAL AND
RESILIENCY PROJECT

ELECTRICAL
ENLARGED PLAN - AREA 3

DATE:	NOVEMBER 2024
HAZEN NO.:	60711-003
CONTRACT NO.:	1
DRAWING NUMBER:	E1012

- NOTES:
1. USE EXISTING WALKER DUCT FROM DB-35 TO EB2. ROUTE CONDUIT UP THE WALL AND CORE DRILL INTO THE SIDE OF THE BASIN TO THE WALKER DUCT.
 2. ROUTE TEMPORARY CONDUIT AND WIRE TO MCC-FLOC-3 AND MCC-FLOC-4 ALONG BASIN AND WALKWAY TO ELECTRICAL BUILDING 2.



GMP SUBMITTAL. DO NOT USE FOR CONSTRUCTION.

File: C:\USERS\NINELSON\Documents\HAZEN AND SAWYER\60711-001_WILSON_WTP_REHAB_FILTER_BASINPROJECT FILES\00_ELECTRICAL\E1013 Saved by SREXHEPI Save date: 10/11/2024 11:29 AM
 PLOT DATE: 11/19/2024 1:44 PM BY: NINELSON

REV	ISSUED FOR	DATE	BY

PROJECT MANAGER:	T. HUDSON
DESIGNED BY:	S. REXHEPI
DRAWN BY:	S. REXHEPI
PROJECT ENGINEER:	B. BUELTEL
IF THIS BAR DOES NOT MEASURE 1" THEN DRAWING IS NOT TO FULL SCALE	



Hazen

HAZEN AND SAWYER
 8150 N. CENTRAL EXPRESSWAY
 TOWER II - SUITE 700
 DALLAS, TEXAS 75206

CENTRAL ARKANSAS WATER
 LITTLE ROCK, ARKANSAS

JACK H. WILSON WTP RENEWAL AND
 RESILIENCY PROJECT

ELECTRICAL
 ENLARGED PLAN - AREA 4

DATE:	NOVEMBER 2024
HAZEN NO.:	60711-003
CONTRACT NO.:	1
DRAWING NUMBER:	E1013

MATCH LINE

NOTES:

- 1. DUCTBANK ROUTING SHOWN IN THIS AREA IS APPROXIMATE. CONTRACTOR SHALL FIELD VERIFY PATH AND ADJUST ACCORDINGLY
- 2. TERMINATE DUCTBANK AT SLAB, WHERE VALVE WILL BE LOCATED ABOVE GROUND

AREA 3 (SEE SHEET E1012)

1"=20'

AREA 6 (SEE SHEET E1015)

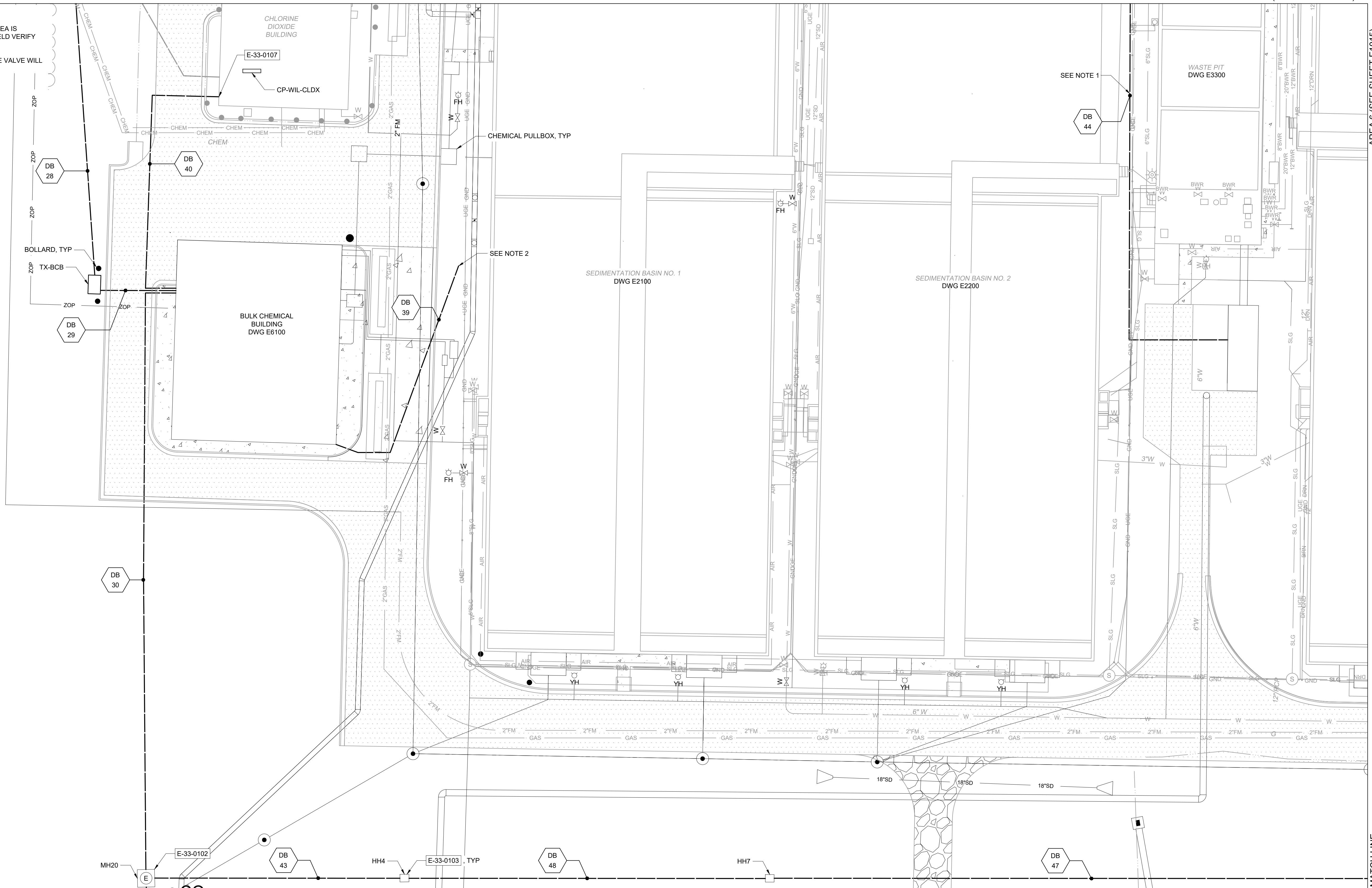
MATCH LINE

MATCH LINE

AREA 7 (SEE SHEET E1016)

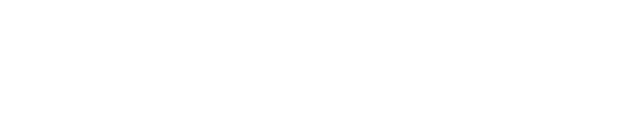
GMP SUBMITTAL. DO NOT USE FOR CONSTRUCTION.

File: C:\USERS\NINELSON\ACCD\CHAZEN AND SAWYER\60711-001_WILSON_WTP_REHAB_FILTER_BASINPROJECT FILES\00_ELECTRICAL\E1014_Saved by SREXHEPI Save date: 11/19/2024 4:04 PM
PLOT DATE: 11/19/2024 1:44 PM BY: NINELSON



REV	ISSUED FOR	DATE	BY

PROJECT MANAGER:	T. HUDSON
DESIGNED BY:	S. REXHEPI
DRAWN BY:	S. REXHEPI
PROJECT ENGINEER:	B. BUELTEL
IF THIS BAR DOES NOT MEASURE 1" THEN DRAWING IS NOT TO FULL SCALE	



Hazen
 HAZEN AND SAWYER
 8150 N. CENTRAL EXPRESSWAY
 TOWER II - SUITE 700
 DALLAS, TEXAS 75206

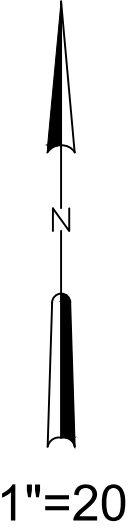
CENTRAL ARKANSAS WATER
 LITTLE ROCK, ARKANSAS
 JACK H. WILSON WTP RENEWAL AND
 RESILIENCY PROJECT

ELECTRICAL
 ENLARGED PLAN - AREA 5

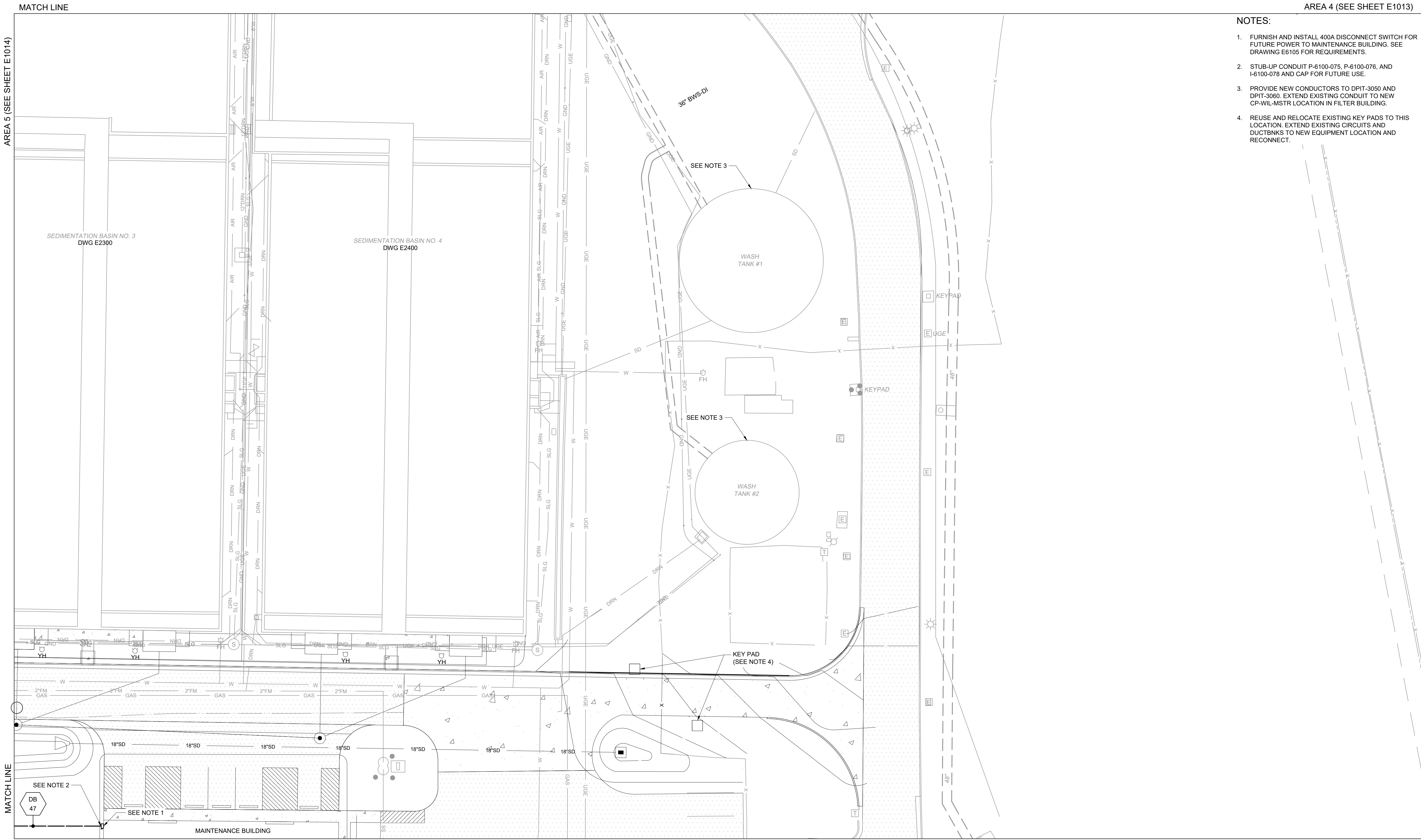
DATE:	NOVEMBER 2024
HAZEN NO.:	60711-003
CONTRACT NO.:	1
DRAWING NUMBER:	E1014

NOTES:

1. FURNISH AND INSTALL 400A DISCONNECT SWITCH FOR FUTURE POWER TO MAINTENANCE BUILDING. SEE DRAWING E6105 FOR REQUIREMENTS.
2. STUB-UP CONDUIT P-6100-075, P-6100-076, AND I-6100-078 AND CAP FOR FUTURE USE.
3. PROVIDE NEW CONDUCTORS TO DPIT-3050 AND DPIT-3060. EXTEND EXISTING CONDUIT TO NEW CP-WIL-MSTR LOCATION IN FILTER BUILDING.
4. REUSE AND RELOCATE EXISTING KEY PADS TO THIS LOCATION. EXTEND EXISTING CIRCUITS AND DUCTBNS TO NEW EQUIPMENT LOCATION AND RECONNECT.



1"=20'



GMP SUBMITTAL. DO NOT USE FOR CONSTRUCTION.

REV	ISSUED FOR	DATE	BY

PROJECT MANAGER:	T. HUDSON
DESIGNED BY:	S. REXHEPI
DRAWN BY:	S. REXHEPI
PROJECT ENGINEER:	B. BUELTEL
IF THIS BAR DOES NOT MEASURE 1" THEN DRAWING IS NOT TO FULL SCALE	



Hazen

HAZEN AND SAWYER
8150 N. CENTRAL EXPRESSWAY
TOWER II - SUITE 700
DALLAS, TEXAS 75206

**CENTRAL ARKANSAS WATER
LITTLE ROCK, ARKANSAS**

**JACK H. WILSON WTP RENEWAL AND
RESILIENCY PROJECT**

**ELECTRICAL
ENLARGED PLAN - AREA 6**

DATE:	NOVEMBER 2024
HAZEN NO.:	60711-003
CONTRACT NO.:	1
DRAWING NUMBER:	E1015

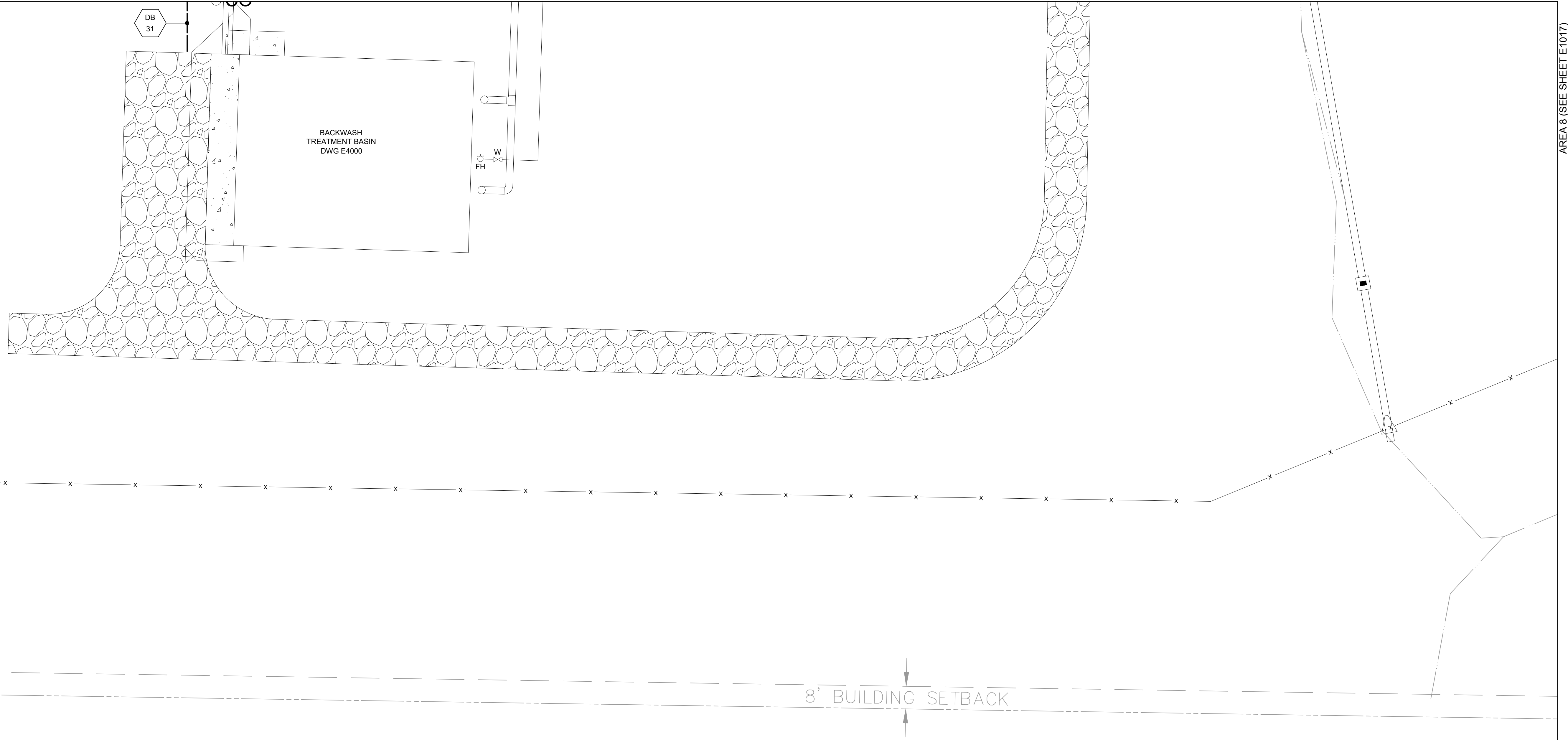
MATCH LINE

AREA 5 (SEE SHEET E1014)

AREA 8 (SEE SHEET E1017)

1"=20'

MATCH LINE



File: C:\USERS\NINELSON\ACCD\CCSHAZEN AND SAWYER\60711-001_WILSON_WTP_REHAB_FILTER_BASIN\PROJECT FILES\900_ELECTRICAL\E1016 Saved by SREXHEPI Save date: 10/10/2024 1:54 PM
PLOT DATE: 11/19/2024 1:45 PM BY: NINELSON

GMP SUBMITTAL. DO NOT USE FOR CONSTRUCTION.

REV	ISSUED FOR	DATE	BY

PROJECT MANAGER:	T. HUDSON
DESIGNED BY:	S. REXHEPI
DRAWN BY:	S. REXHEPI
PROJECT ENGINEER:	B. BUELTEL
IF THIS BAR DOES NOT MEASURE 1" THEN DRAWING IS NOT TO FULL SCALE	



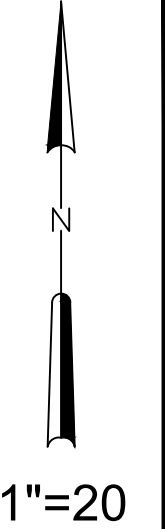
Hazen
 HAZEN AND SAWYER
 8150 N. CENTRAL EXPRESSWAY
 TOWER II - SUITE 700
 DALLAS, TEXAS 75206

CENTRAL ARKANSAS WATER
 LITTLE ROCK, ARKANSAS

JACK H. WILSON WTP RENEWAL AND
 RESILIENCY PROJECT

ELECTRICAL
 ENLARGED PLAN - AREA 7

DATE:	NOVEMBER 2024
HAZEN NO.:	60711-003
CONTRACT NO.:	1
DRAWING NUMBER:	E1016



NOTES:

1. REUSE AND RELOCATE EXISTING LIGHT POLE TO THIS LOCATION.
2. INTERCEPT EXISTING DUCTBANK AND CIRCUITS AND EXTEND TO NEW EQUIPMENT LOCATIONS AND RECONNECT. SIZE CONDUCTORS AND CONDUITS SAME AS EXISTING CIRCUITS BEING INTERCEPTED.
3. REUSE AND RELOCATE GATE OPERATORS TO THIS LOCATION. EXTEND CONDUITS FROM HANDHOLES TO GATE OPERATORS.
4. EXTEND CONDUITS FROM EXISTING CIRCUITS THROUGH HH8 TO NEW ELECTRICAL EQUIPMENT.



GMP SUBMITTAL. DO NOT USE FOR CONSTRUCTION.

File: C:\USERS\NINELSON\DRAWING\HAZEN AND SAWYER\60711-001_WILSON_WTP_REHAB_FILTER_BASIN\PROJECT FILES\900_ELECTRICAL\E1017 Saved by SREXHEPI Save date: 11/17/2024 4:01 PM
 PLOT DATE: 11/19/2024 1:45 PM BY: NINELSON

REV	ISSUED FOR	DATE	BY

PROJECT MANAGER:	T. HUDSON
DESIGNED BY:	S. REXHEPI
DRAWN BY:	S. REXHEPI
PROJECT ENGINEER:	B. BUELTEL
IF THIS BAR DOES NOT MEASURE 1" THEN DRAWING IS NOT TO FULL SCALE	



Hazen
 HAZEN AND SAWYER
 8150 N. CENTRAL EXPRESSWAY
 TOWER II - SUITE 700
 DALLAS, TEXAS 75206

CENTRAL ARKANSAS WATER
 LITTLE ROCK, ARKANSAS

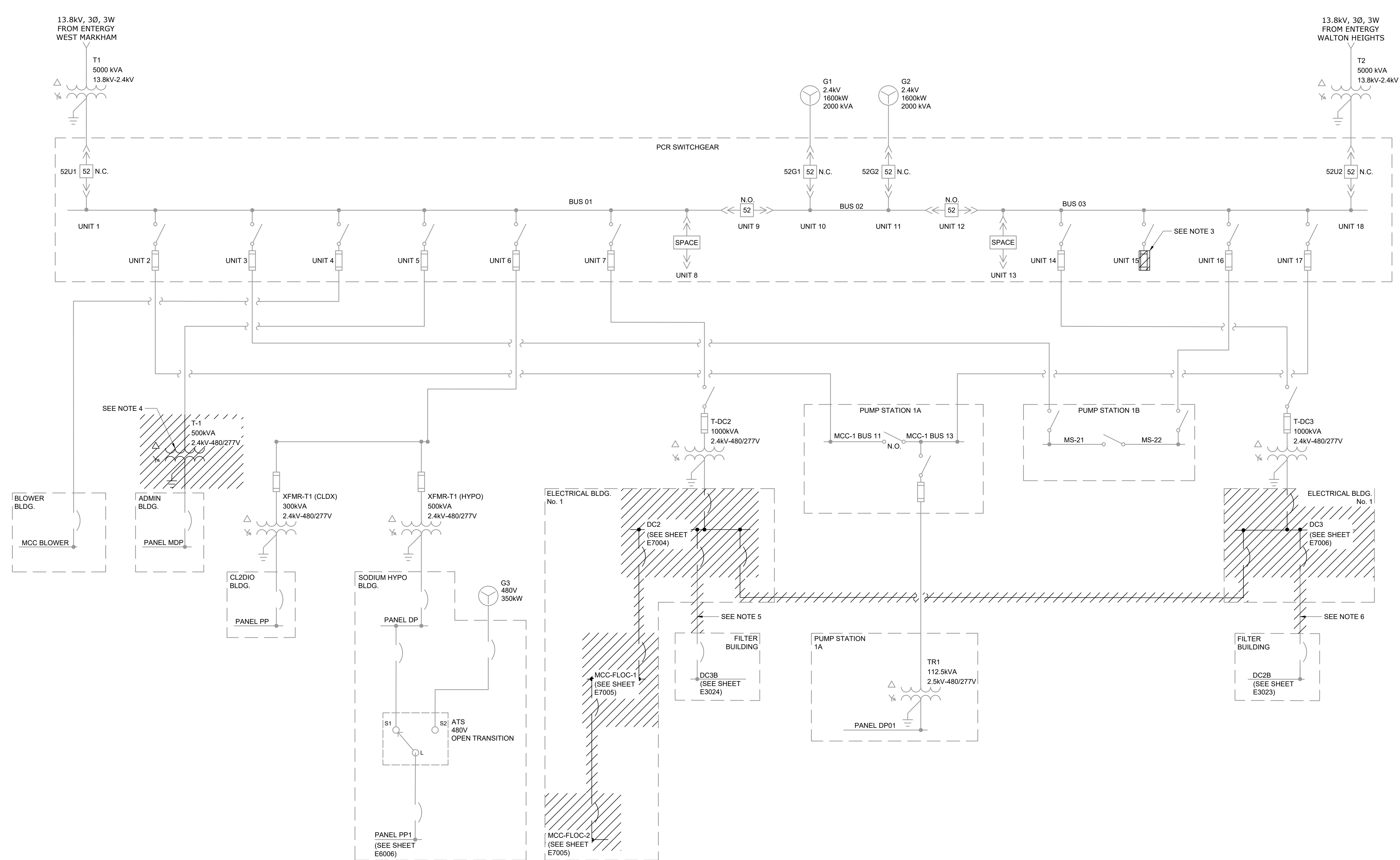
JACK H. WILSON WTP RENEWAL AND
 RESILIENCY PROJECT

ELECTRICAL
 ENLARGED PLAN - AREA 8

DATE:	NOVEMBER 2024
HAZEN NO.:	60711-003
CONTRACT NO.:	1
DRAWING NUMBER:	E1017

NOTES:

1. THE DISTRIBUTION SINGLE LINE IS A GENERALIZED DIAGRAM SHOWING ONLY THE INTERCONNECTION BETWEEN MAJOR DISTRIBUTION EQUIPMENT. SPECIFIC LOADS AND BREAKER SIZES WERE OMITTED FOR CLARITY. REFERENCE EACH RESPECTIVE SINGLE LINE FOR QUANTITIES, RATINGS, AND ADDITIONAL REQUIREMENTS.
2. INFORMATION FOR EXISTING EQUIPMENT IS TAKEN FROM AS BUILT DRAWINGS AND THE 2019 POWER SYSTEM STUDY COMPLETED BY BROWN ENGINEERS. CONTRACTOR SHALL BE RESPONSIBLE FOR VERIFYING ALL WORK ASSOCIATED WITH EXISTING EQUIPMENT.
3. REMOVE EXISTING SPARE FUSE FROM SPACE (CURRENTLY LABELED "FUTURE MAINTENANCE BUILDING").
4. DEMOLISH EXISTING TRANSFORMER T-1. REMOVE PRIMARY AND SECONDARY FEED CABLES. CONTRACTOR SHALL DETERMINE EXISTING ROUTING OF CABLE FROM PCR TO TRANSFORMER, AND KEEP NOTE TO BE REUSED FOR NEW TRANSFORMER CABLE ROUTING.
5. DEMOLISH FEED CABLES FROM DC2 TO DC3B. PRESERVE CONDUIT FOR REUSE.
6. DEMOLISH FEED CABLES FROM DC3 TO DC2B. PRESERVE CONDUIT FOR REUSE.

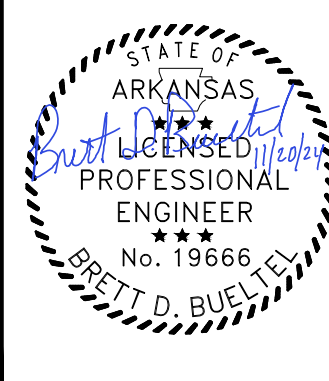


File: C:\USERS\NINELSON\ACCD\PROJECTS\HAZEN AND SAWYER\60711-001_WILSON_WTP_REHAB_FILTER_BASIN\PROJECT FILES\E018_SINGLE LINE DEMOLITION.dwg Date: 10/22/2024 1:57 PM
 PLOT DATE: 11/19/2024 1:45 PM BY: NINELSON

GMP SUBMITTAL. DO NOT USE FOR CONSTRUCTION.

REV	ISSUED FOR	DATE	BY

PROJECT MANAGER:	T. HUDSON
DESIGNED BY:	N. NELSON
DRAWN BY:	N. NELSON
PROJECT ENGINEER:	B. BUELTEL
IF THIS BAR DOES NOT MEASURE 1" THEN DRAWING IS NOT TO FULL SCALE	



Hazen
 HAZEN AND SAWYER
 8150 N. CENTRAL EXPRESSWAY
 TOWER II - SUITE 700
 DALLAS, TEXAS 75206

CENTRAL ARKANSAS WATER
 LITTLE ROCK, ARKANSAS
 JACK H. WILSON WTP RENEWAL AND
 RESILIENCY PROJECT

ELECTRICAL
 OVERALL SINGLE LINE DIGRAM DEMOLITION

DATE:	NOVEMBER 2024
HAZEN NO.:	60711-003
CONTRACT NO.:	1
DRAWING NUMBER:	E1018

DUCTBANK NUMBER	CONDUIT	SIZE	FROM	TO	NOTES		
DB-04	P-6100-001	4"	PCR SWITCHGEAR	TX-BCB	EXISTING SPARE CONDUIT		
	P-6100-002	4"	PCR SWITCHGEAR	TX-BCB	EXISTING SPARE CONDUIT, EMPTY W/ PULLSTRING		
DB-06	C-3200-006	1"	FPP-WIL-ASB	FPP-WIL-PCR	VIA HH6, MH10 (EXISTING FO CONDUIT)		
	C-3200-007	1"	FPP-WIL-PCR	FPP-WIL-PS1B	VIA MH10, MH11, MH13 (EXISTING FO CONDUIT)		
	C-3200-008	1"	FPP-WIL-PS1B	FPP-WIL-PS1A	VIA MH13, MH11, MH10 (EXISTING FO CONDUIT)		
DB-07	P-6100-001	4"	PCR SWITCHGEAR	TX-BCB	EXISTING SPARE CONDUIT		
	P-6100-002	4"	PCR SWITCHGEAR	TX-BCB	EXISTING SPARE CONDUIT, EMPTY W/ PULLSTRING		
DB-09	C-3200-007	1"	FPP-WIL-PCR	FPP-WIL-PS1B	VIA MH10, MH11, MH13 (EXISTING FO CONDUIT)		
	C-3200-008	1"	FPP-WIL-PS1B	FPP-WIL-PS1A	VIA MH13, MH11, MH10 (EXISTING SPARE CONDUIT)		
DB-12	C-3200-007	1"	FPP-WIL-PCR	FPP-WIL-PS1B	VIA MH10, MH11, MH13 (EXISTING FO CONDUIT)		
	C-3200-008	1"	FPP-WIL-PS1B	FPP-WIL-PS1A	VIA MH13, MH11, MH10 (EXISTING SPARE CONDUIT)		
DB-13	P-6100-001	4"	PCR SWITCHGEAR	TX-BCB	EXISTING SPARE CONDUIT		
	P-6100-002	4"	PCR SWITCHGEAR	TX-BCB	EXISTING SPARE CONDUIT, EMPTY W/ PULLSTRING		
DB-17	P-6000-013	2"	LP-SHCB-1	CP-SH-FILL	EXISTING SPARE CONDUIT		
	P-6000-014		LP-SHCB-1	HT-FT-1			
	P-6000-015		PP-SHCB-2	FLUORIDE WATER HEATER SYSTEM			
	P-6000-016		LP-SHCB-1	FLUORIDE EYEWASH HEAT TRACE			
	P-6000-017		LP-SHCB-1	FLUORIDE EYEWASH FLOW SWITCHES			
	P-6000-018		LP-SHCB-1	FLUORIDE HOT BOX			
DB-18	C-6000-027	1"	FPP-WIL-SHCB	FPP-WIL-CLDX	EXISTING FO CONDUIT		
DB-21	C-3000-189	1"	FPP-WIL-FB	FPP-WIL-SHB	EXISTING FO CONDUIT		
DB-22	C-3200-012	1"	FPP-WIL-PS1A	FPP-WIL-FB	EXISTING FO CONDUIT		
DB-27	P-6100-001	4"	PCR SWITCHGEAR	TX-BCB	EMPTY W/ PULLSTRING		
	P-6100-002	4"	PCR SWITCHGEAR	TX-BCB			
	P-6100-079	1"	LP-BCB	RAW WATER METER VAULT LTG.			
	P-6100-080	1"	LP-BCB	RAW WATER METER VAULT RECPT.			
	P-6100-081	1"	PP-BCB	VCP-1500			
	P-6100-082	1"	PP-BCB	VCP-1500			
	C-6100-091	1"	FPP-WIL-BCB	FPP-WIL-EB1			
	C-6100-092	1"	FPP-WIL-BCB	FPP-WIL-EB1			
	DB-28	P-6100-001	4"	PCR SWITCHGEAR		TX-BCB	EMPTY W/ PULLSTRING
	P-6100-002	4"	PCR SWITCHGEAR	TX-BCB			
P-6100-079	1"	LP-BCB	RAW WATER METER VAULT LTG.				
P-6100-080	1"	LP-BCB	RAW WATER METER VAULT RECPT.				
P-6100-081	1"	PP-BCB	VCP-1500				
P-6100-082	1"	PP-BCB	VCP-1500				
C-6100-091	1"	FPP-WIL-BCB	FPP-WIL-EB1				
C-6100-092	1"	FPP-WIL-BCB	FPP-WIL-EB1				
DB-29	P-6100-003	4"	TX-BCB	MCC-BCB	EMPTY W/ PULLSTRING		
	P-6100-004	4"	TX-BCB	MCC-BCB			
	P-6100-079	1"	LP-BCB	RAW WATER METER VAULT LTG.			
	P-6100-080	1"	LP-BCB	RAW WATER METER VAULT RECPT.			
	P-6100-081	1"	PP-BCB	VCP-1500			
	P-6100-082	1"	PP-BCB	VCP-1500			
	C-6100-091	1"	FPP-WIL-BCB	FPP-WIL-EB1			
	C-6100-092	1"	FPP-WIL-BCB	FPP-WIL-EB1			
	DB-30	P-4000-001	2"	MCC-BCB		PP-BWTT	VIA MH20
		P-6100-031	4"	MCC-BCB		MAINTENANCE BUILDING	VIA MH20, HH4, HH7
P-6100-032		4"	MCC-BCB	MAINTENANCE BUILDING	VIA MH20, HH4, HH7		
P-6100-075		4"	MCC-BCB	MAINTENANCE BUILDING	EMPTY W/ PULLSTRING		
P-6100-076		4"	MCC-BCB	MAINTENANCE BUILDING	EMPTY W/ PULLSTRING		
C-4000-001		2"	CP-WIL-BCB	CPB-BWTT-1	VIA MH20		
C-4000-002		1"	CP-WIL-BCB	CPB-BWTT-1	EMPTY W/ PULLSTRING		
C-4000-003		1"	CP-WIL-BCB	CPB-BWTT-1	EMPTY W/ PULLSTRING		
I-4000-001		1"	CP-WIL-BCB	IPB-BWTT-1	VIA MH20		
I-4000-002		1"	CP-WIL-BCB	IPB-BWTT-1	EMPTY W/ PULLSTRING		
I-6100-078		1"	MCC-BCB	MAINTENANCE BUILDING	EMPTY W/ PULLSTRING		
DB-31		P-4000-001	2"	MCC-BCB	PP-BWTT	VIA MH20	
		C-4000-001	2"	CP-WIL-BCB	CPB-BWTT-1	VIA MH20	
		C-4000-002	1"	CP-WIL-BCB	CPB-BWTT-1	EMPTY W/ PULLSTRING	
	C-4000-003	1"	CP-WIL-BCB	CPB-BWTT-1	EMPTY W/ PULLSTRING		
	I-4000-001	1"	CP-WIL-BCB	IPB-BWTT-1	VIA MH20		
	I-4000-002	1"	CP-WIL-BCB	IPB-BWTT-1	EMPTY W/ PULLSTRING		
DB-32	C-6100-091	1"	FPP-WIL-BCB	FPP-WIL-EB1	VIA MH19, MH16, HH5, MH6		
	C-6100-092	1"	FPP-WIL-BCB	FPP-WIL-EB1	EMPTY W/ PULLSTRING		

DUCTBANK NUMBER	CONDUIT	SIZE	FROM	TO	NOTES	
DB-33	C-3000-189	1"	FPP-WIL-FB	FPP-WIL-SHB	VIA HH3, MH16	
	C-3000-193	1"	FPP-WIL-FB	MH16	EMPTY W/ PULLSTRING	
	I-3000-155	1"	CP-WIL-SR	FIT-1502	VIA HH3	
DB-34	C-3200-006	1"	FPP-WIL-ASB	FPP-WIL-PCR	VIA HH6, MH10	
	C-3200-011	1"	FPP-WIL-ASB	MH6	EMPTY W/ PULLSTRING	
DB-35	C-7100-005	1"	FPP-WIL-EB2	FPP-WIL-ASB	VIA WALKER DUCT, CABLE TRAY	
	C-7100-071	1"	FPP-WIL-EB2	FPP-WIL-ASB	EMPTY W/ PULLSTRING	
DB-37	C-6100-091	1"	FPP-WIL-BCB	FPP-WIL-EB1	VIA MH19, MH16, HH5, MH6	
	C-6100-092	1"	FPP-WIL-BCB	FPP-WIL-EB1	EMPTY W/ PULLSTRING	
DB-38	P-6100-079	1"	LP-BCB	RAW WATER METER VAULT LTG.	VIA MH19, MH16, HH3	
	P-6100-080	1"	LP-BCB	RAW WATER METER VAULT RECPT.	VIA MH19, MH16, HH3	
	P-6100-081	1"	PP-BCB	VCP-1500	VIA-MH19, MH16, HH3	
	P-6100-082	1"	PP-BCB	VCP-1500	EMPTY W/ PULLSTRING	
DB-39	P-6100-077	1"	LP-BCB	FIT-4020		
	I-6100-002	1"	CP-WIL-BCB	FIT-4020		
	C-6100-001	1"	CP-WIL-BCB	VAL-4030		
	C-6100-002	1"	CP-WIL-BCB	SEDIMENTATION BASIN 1	EMPTY W/PULLSTRING	
	C-6100-003	1"	CP-WIL-BCB	SEDIMENTATION BASIN 1	EMPTY W/PULLSTRING	
DB-40	C-6000-028	1"	FPP-WIL-CLDX	FPP-WIL-BCB		
	C-6000-038	1"	FPP-WIL-CLDX	FPP-WIL-BCB	EMPTY W/PULLSTRING	
DB-41	P-6100-079	1"	LP-BCB	RAW WATER METER VAULT LTG.	VIA MH19, MH16, HH3	
	P-6100-080	1"	LP-BCB	RAW WATER METER VAULT RECPT.	VIA MH19, MH16, HH3	
	P-6100-081	1"	PP-BCB	VCP-1500	VIA-MH19, MH16, HH3	
	P-6100-082	1"	PP-BCB	VCP-1500	EMPTY W/ PULLSTRING	
	C-3000-189	1"	FPP-WIL-FB	FPP-WIL-SHB	VIA HH3, MH16	
	C-3000-193	1"	FPP-WIL-FB	MH16	EMPTY W/ PULLSTRING	
	C-6100-091	1"	FPP-WIL-BCB	FPP-WIL-EB1	VIA MH19, MH16, HH5, MH6	
	C-6100-092	1"	FPP-WIL-BCB	FPP-WIL-EB1	EMPTY W/ PULLSTRING	
	DB-43	P-6100-031	4"	MCC-BCB	MAINTENANCE BUILDING	VIA MH20, HH4, HH7
		P-6100-032	4"	MCC-BCB	MAINTENANCE BUILDING	VIA MH20, HH4, HH7
P-6100-075		4"	MCC-BCB	MAINTENANCE BUILDING	EMPTY W/ PULLSTRING	
P-6100-076		4"	MCC-BCB	MAINTENANCE BUILDING	EMPTY W/ PULLSTRING	
I-6100-078		1"	MCC-BCB	MAINTENANCE BUILDING	EMPTY W/ PULLSTRING	
DB-44		P-7000-050	3"	VFD-3301	PMP-3301	VIA WALKER DUCT
	P-7000-052	3"	VFD-3302	PMP-3302	VIA WALKER DUCT	
	P-7000-064	3"	VFD-3303	PMP-3303	VIA WALKER DUCT	
	C-7000-099	1"	PANEL LP2	HT-WP-1	VIA WALKER DUCT	
	P-7000-102	1"	PANEL LP2	HT-WP-1	EMPTY W/ PULLSTRING	
	C-7000-068	1"	MCC-EB1-1, MCC-EB1-2	CPB-SPS-1	VIA WALKER DUCT	
	C-7000-075	1"	MCC-EB1-1, MCC-EB1-2	CPB-SPS-1	EMPTY W/ PULLSTRING	
	I-7000-029	1"	CP-WIL-EB1	LIT/LE-3300	VIA WALKER DUCT	
	I-7000-030	1"	CP-WIL-EB1	LIT/LE-3400	VIA WALKER DUCT	
	DB-45	C-6100-091	1"	FPP-WIL-BCB	FPP-WIL-EB1	VIA MH19, MH16, HH5, MH6
C-6100-092		1"	FPP-WIL-BCB	FPP-WIL-EB1	EMPTY W/ PULLSTRING	
DB-46	C-3200-006	1"	FPP-WIL-ASB	FPP-WIL-PCR	VIA HH6, MH10	
	C-3200-011	1"	FPP-WIL-ASB	MH6	EMPTY W/ PULLSTRING	
DB-47	P-6100-031	4"	MCC-BCB	MAINTENANCE BUILDING		
	P-6100-032	4"	MCC-BCB	MAINTENANCE BUILDING		
	P-6100-075	4"	MCC-BCB	MAINTENANCE BUILDING	EMPTY W/ PULLSTRING	
	P-6100-076	4"	MCC-BCB	MAINTENANCE BUILDING	EMPTY W/ PULLSTRING	
	I-6100-078	1"	MCC-BCB	MAINTENANCE BUILDING	EMPTY W/ PULLSTRING	
DB-48	P-6100-031	4"	MCC-BCB	MAINTENANCE BUILDING	VIA MH20, HH4, HH7	
	P-6100-032	4"	MCC-BCB	MAINTENANCE BUILDING	VIA MH20, HH4, HH7	
	P-6100-075	4"	MCC-BCB	MAINTENANCE BUILDING	EMPTY W/ PULLSTRING	
	P-6100-076	4"	MCC-BCB	MAINTENANCE BUILDING	EMPTY W/ PULLSTRING	

File: C:\USERS\NINELSON\ACCD\CCS\HAZEN AND SAWYER\60711-001_WILSON_WTP_REHAB_FILTER_BASIN\PROJECT FILES\00_ELECTRICAL\020 Saved by SREXHEP Save date: 10/10/2024 7:59 PM
 PLOT DATE: 11/19/2024 1:45 PM BY: NINELSON

GMP SUBMITTAL. DO NOT USE FOR CONSTRUCTION.

PROJECT MANAGER:	T. HUDSON
DESIGNED BY:	N. NELSON
DRAWN BY:	N. NELSON
PROJECT ENGINEER:	B. BUELTEL
IF THIS BAR DOES NOT MEASURE 1" THEN DRAWING IS NOT TO FULL SCALE	

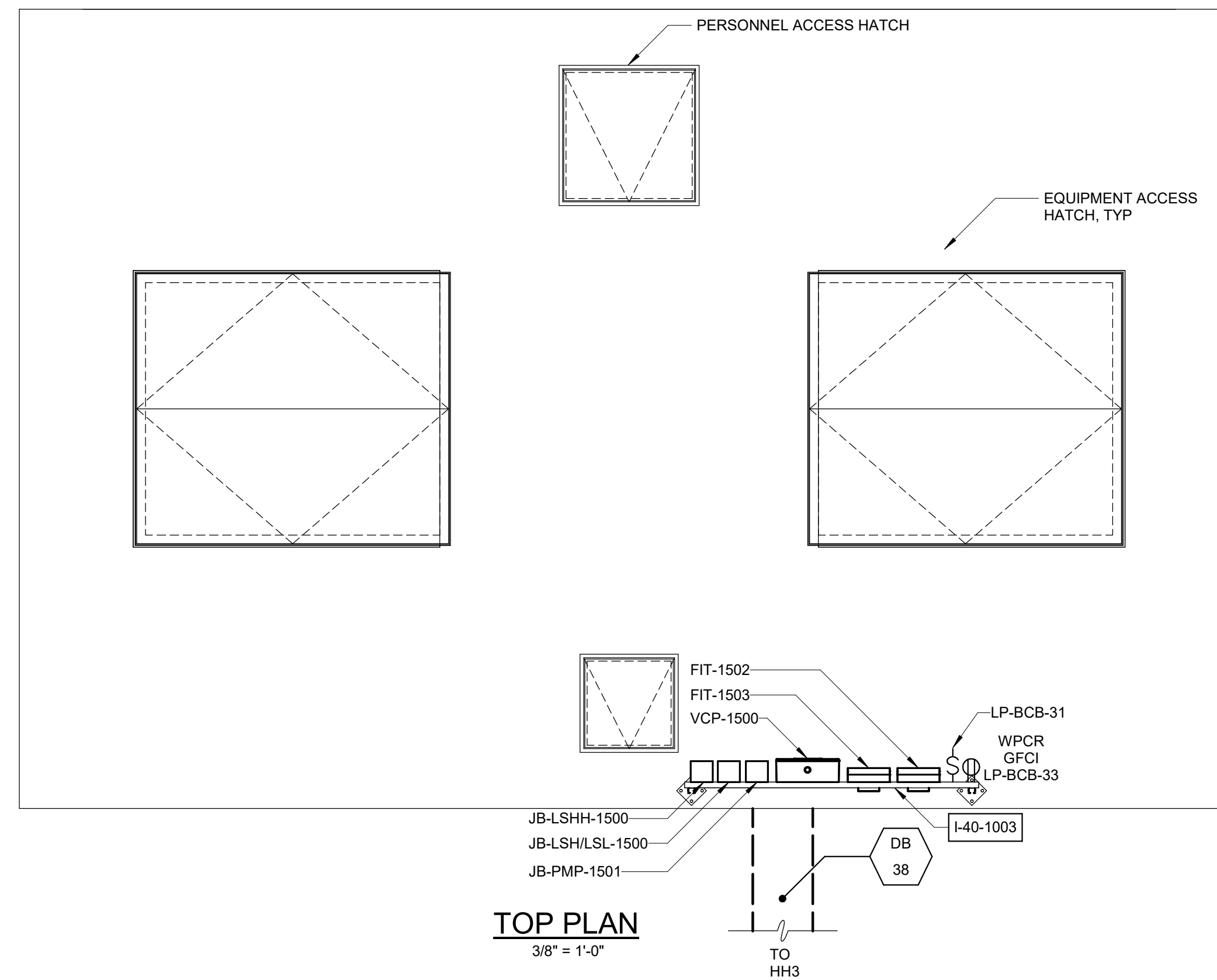
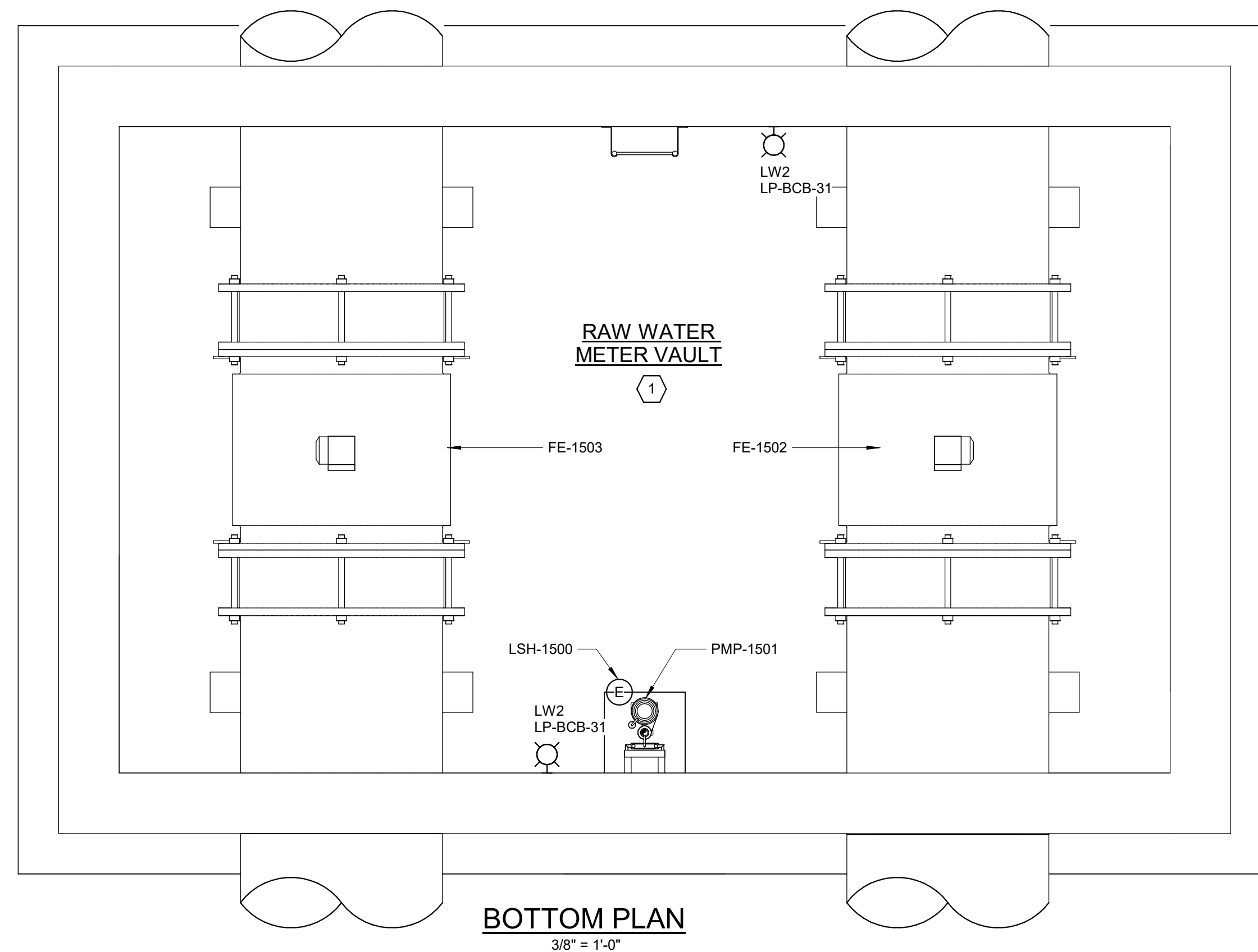


CENTRAL ARKANSAS WATER
 LITTLE ROCK, ARKANSAS

JACK H. WILSON WTP RENEWAL AND RESILIENCY PROJECT

ELECTRICAL
DUCTBANK SCHEDULES

DATE:	NOVEMBER 2024
HAZEN NO.:	60711-003
CONTRACT NO.:	1
DRAWING NUMBER:	E1020



- NOTES:**
1. ALL 'LW2' TYPE LIGHT FIXTURES SHALL BE MOUNTED 8'-6" AFF.
 2. LIGHTING CIRCUITS ARE FED FROM PANEL LP-BCB IN BULK CHEMICAL BUILDING. SEE SHEET E6106 FOR PANEL SCHEDULE.

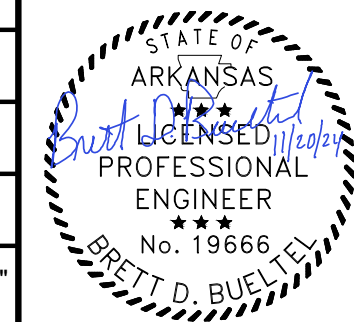
- AREA DESIGNATIONS:**
- ① INDOOR WET PROCESS AREA
 - ② INDOOR DRY PROCESS AREA
 - ③ INDOOR DRY NON-PROCESS AREA
 - ④ TYPE 1 CHEMICAL STORAGE/TRANSFER AREA
 - ⑤ TYPE 2 CHEMICAL STORAGE/TRANSFER AREA

GMP SUBMITTAL. DO NOT USE FOR CONSTRUCTION.

Autodesk_Docs\60711-001_Wilson_WTP_Rehab_File_Base\60711-003-RMM-ELEC.rvt 11/20/24 10:09:09 AM

REV	ISSUED FOR	DATE	BY

PROJECT MANAGER:	T. HUDSON
DESIGNED BY:	N. NELSON
DRAWN BY:	N. NELSON
PROJECT ENGINEER:	B. BUELTEL
IF THIS BAR DOES NOT MEASURE 1" THEN DRAWING IS NOT TO FULL SCALE	



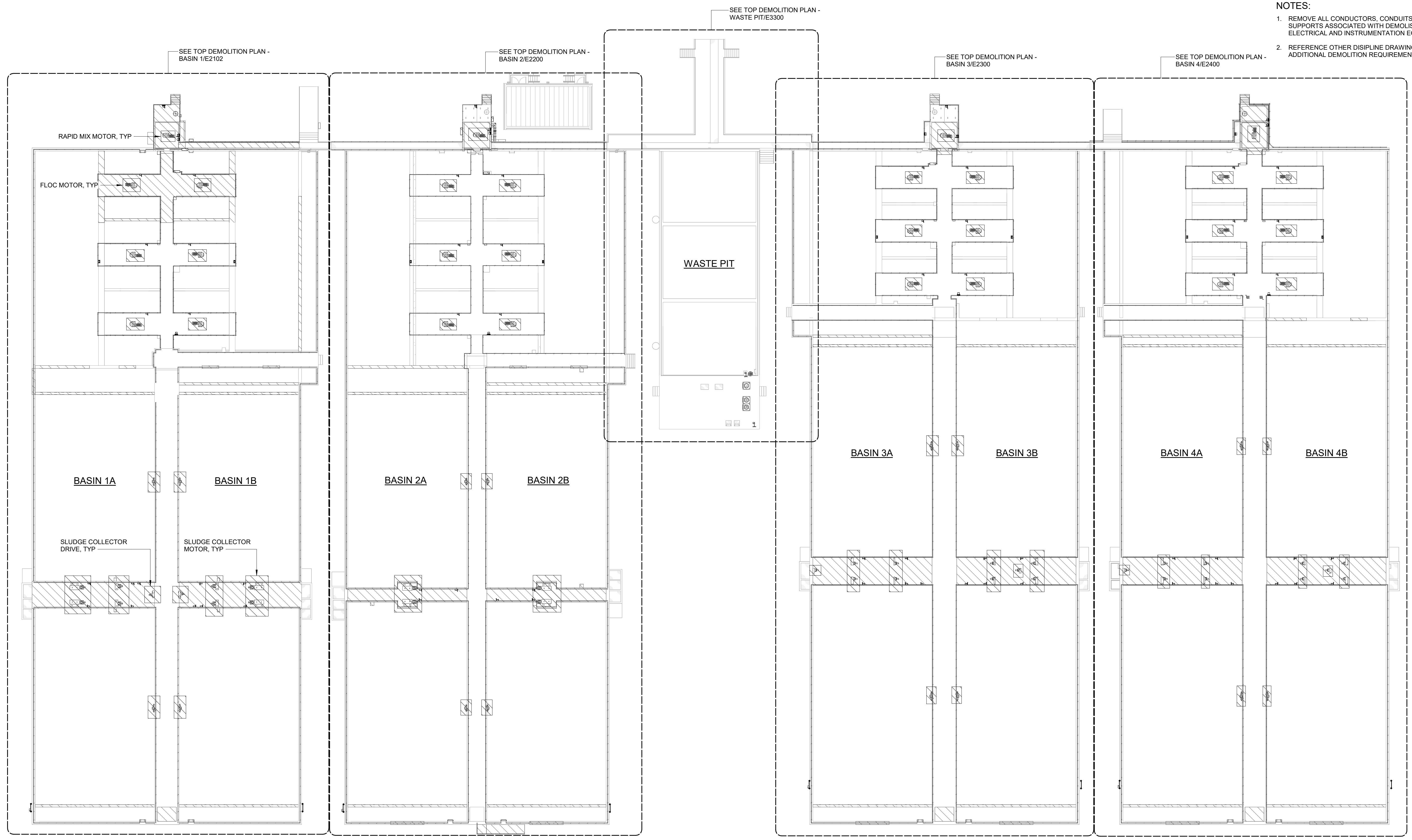
Hazen
HAZEN AND SAWYER
8150 N. CENTRAL EXPRESSWAY
TOWER II - SUITE 700
DALLAS, TEXAS 75206

CENTRAL ARKANSAS WATER
LITTLE ROCK, ARKANSAS

JACK H. WILSON WTP RENEWAL
AND RESILIENCY PROJECT

RAW WATER METER VAULT 1
ELECTRICAL
PLANS

DATE:	NOVEMBER 2024
HAZEN NO.:	60711-003
CONTRACT NO.:	1
DRAWING NUMBER:	E1500



- NOTES:**
1. REMOVE ALL CONDUCTORS, CONDUITS, AND SUPPORTS ASSOCIATED WITH DEMOLISHED ELECTRICAL AND INSTRUMENTATION EQUIPMENT.
 2. REFERENCE OTHER DISCIPLINE DRAWINGS FOR ADDITIONAL DEMOLITION REQUIREMENTS.

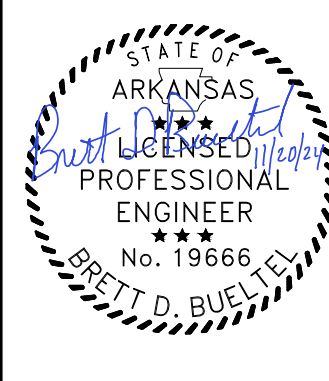
OVERALL TOP PLAN - DEMOLITION
1" = 20'-0"

GMP SUBMITTAL. DO NOT USE FOR CONSTRUCTION.

Autodesk_Docs/60711-003-Wilson_WTP_Rehab_Elec_Basins/60711-003-2000-RAPID_MIX-2100-FSB1-ELEC.rvt 11/19/2024 8:04:18 AM

REV	ISSUED FOR	DATE	BY

PROJECT MANAGER:	T. HUDSON
DESIGNED BY:	N. NELSON
DRAWN BY:	N. NELSON
PROJECT ENGINEER:	B. BUELTEL
IF THIS BAR DOES NOT MEASURE 1" THEN DRAWING IS NOT TO FULL SCALE	



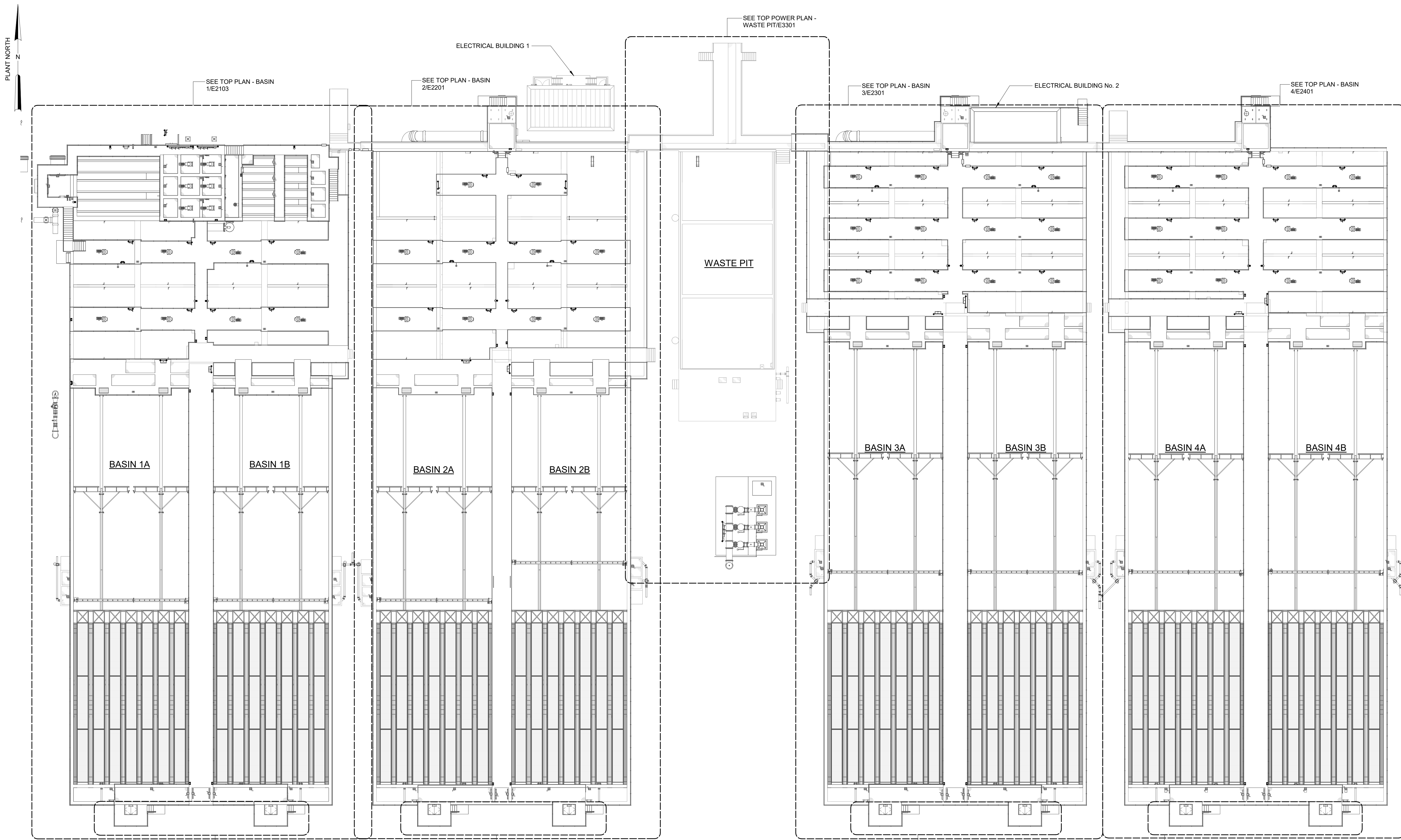
Hazen
HAZEN AND SAWYER
8150 N. CENTRAL EXPRESSWAY
TOWER II - SUITE 700
DALLAS, TEXAS 75206

CENTRAL ARKANSAS WATER
LITTLE ROCK, ARKANSAS

JACK H. WILSON WTP RENEWAL
AND RESILIENCY PROJECT

FLOCCULATION AND SEDIMENTATION BASINS
ELECTRICAL
OVERALL TOP PLAN - DEMOLITION

DATE:	NOVEMBER 2024
HAZEN NO.:	60711-003
CONTRACT NO.:	1
DRAWING NUMBER:	E2100



OVERALL TOP POWER PLAN
1" = 20'-0"

GMP SUBMITTAL. DO NOT USE FOR CONSTRUCTION.

REV	ISSUED FOR	DATE	BY

PROJECT MANAGER:	T. HUDSON
DESIGNED BY:	N. NELSON
DRAWN BY:	N. NELSON
PROJECT ENGINEER:	B. BUELTEL
IF THIS BAR DOES NOT MEASURE 1" THEN DRAWING IS NOT TO FULL SCALE	



Hazen
HAZEN AND SAWYER
8150 N. CENTRAL EXPRESSWAY
TOWER II - SUITE 700
DALLAS, TEXAS 75206

CENTRAL ARKANSAS WATER
LITTLE ROCK, ARKANSAS

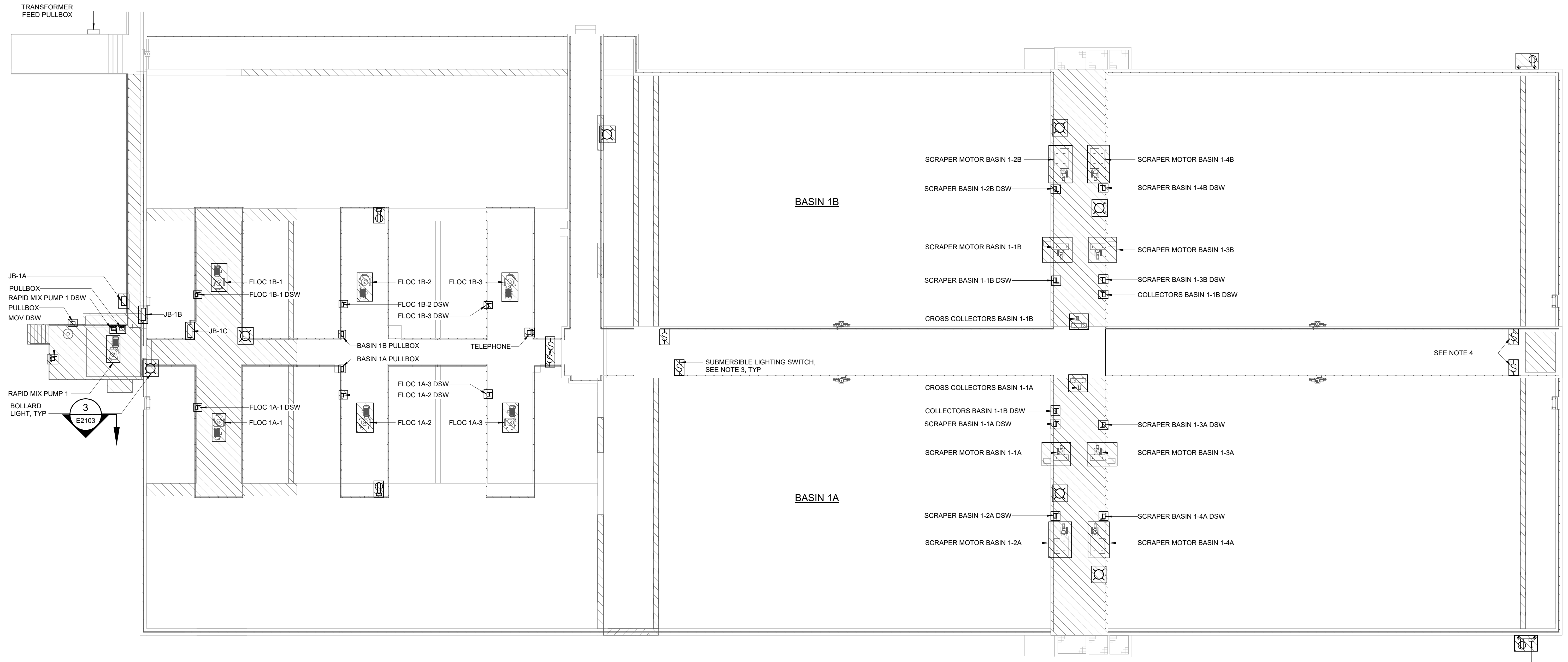
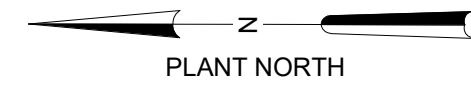
JACK H. WILSON WTP RENEWAL
AND RESILIENCY PROJECT

FLOCCULATION AND SEDIMENTATION BASINS
ELECTRICAL
OVERALL TOP POWER PLAN

DATE:	NOVEMBER 2024
HAZEN NO.:	60711-003
CONTRACT NO.:	1
DRAWING NUMBER:	E2101

Autodesk_Docs/60711-003_Wilson_WTP_Rehab_Elec_Basins/60711-003-2000-RAPID_MX-2100-FSB1-ELEC.rvt 11/20/24 8:04:21 AM

- NOTES:
1. REMOVE ALL CONDUCTORS, EXPOSED PORTIONS OF CONDUITS, AND SUPPORTS ASSOCIATED WITH DEMOLISHED ELECTRICAL AND INSTRUMENTATION EQUIPMENT.
 2. REFERENCE OTHER DISCIPLINE DRAWINGS FOR ADDITIONAL DEMOLITION REQUIREMENTS.
 3. DEMOLISH EXISTING LIGHT SWITCH MOUNTED TO HANDRAIL. REPLACE IN-KIND AND MOUNT TO NEW HANDRAIL.
 4. DEMOLISH LIGHT SWITCH AND ASSOCIATED SUBMERSIBLE LIGHT.



TOP PLAN - DEMOLITION
1" = 10'-0"

GMP SUBMITTAL. DO NOT USE FOR CONSTRUCTION.

Autodesk/Doc/60711-001_Wilson_WTP_Rehab_Elec_Basins/60711-003-2000-RAPID MIX-2100-FSB1-ELEC.rvt 11/20/24 8:04:23 AM

REV	ISSUED FOR	DATE	BY

PROJECT MANAGER:	T. HUDSON
DESIGNED BY:	N. NELSON
DRAWN BY:	N. NELSON
PROJECT ENGINEER:	B. BUELTEL
IF THIS BAR DOES NOT MEASURE 1" THEN DRAWING IS NOT TO FULL SCALE	



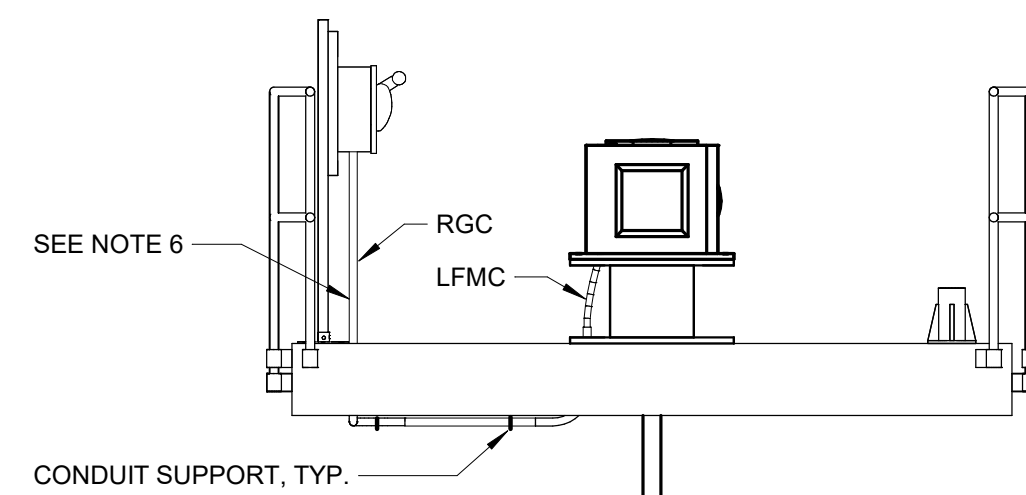
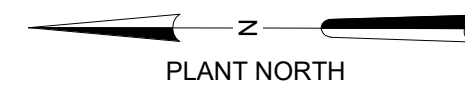
Hazen
HAZEN AND SAWYER
8150 N. CENTRAL EXPRESSWAY
TOWER II - SUITE 700
DALLAS, TEXAS 75206

CENTRAL ARKANSAS WATER
LITTLE ROCK, ARKANSAS

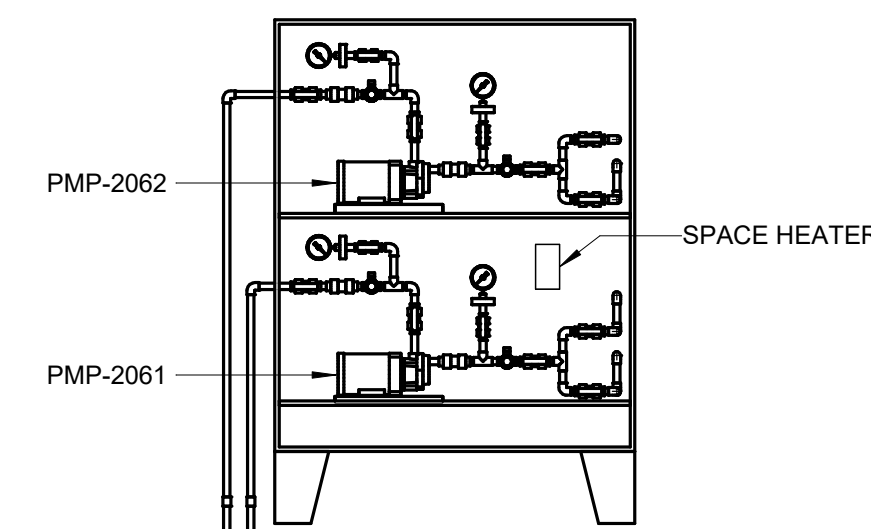
JACK H. WILSON WTP RENEWAL
AND RESILIENCY PROJECT

FLOCCULATION AND SEDIMENTATION BASIN 1
ELECTRICAL
TOP PLAN - DEMOLITION

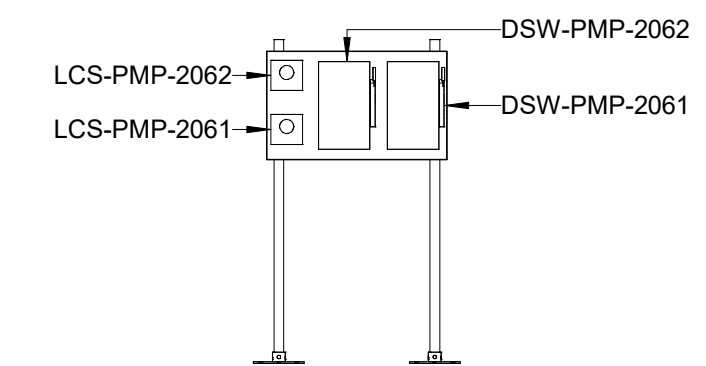
DATE:	NOVEMBER 2024
HAZEN NO.:	60711-003
CONTRACT NO.:	1
DRAWING NUMBER:	E2102



SECTION 1
3/8" = 1'-0" E2103



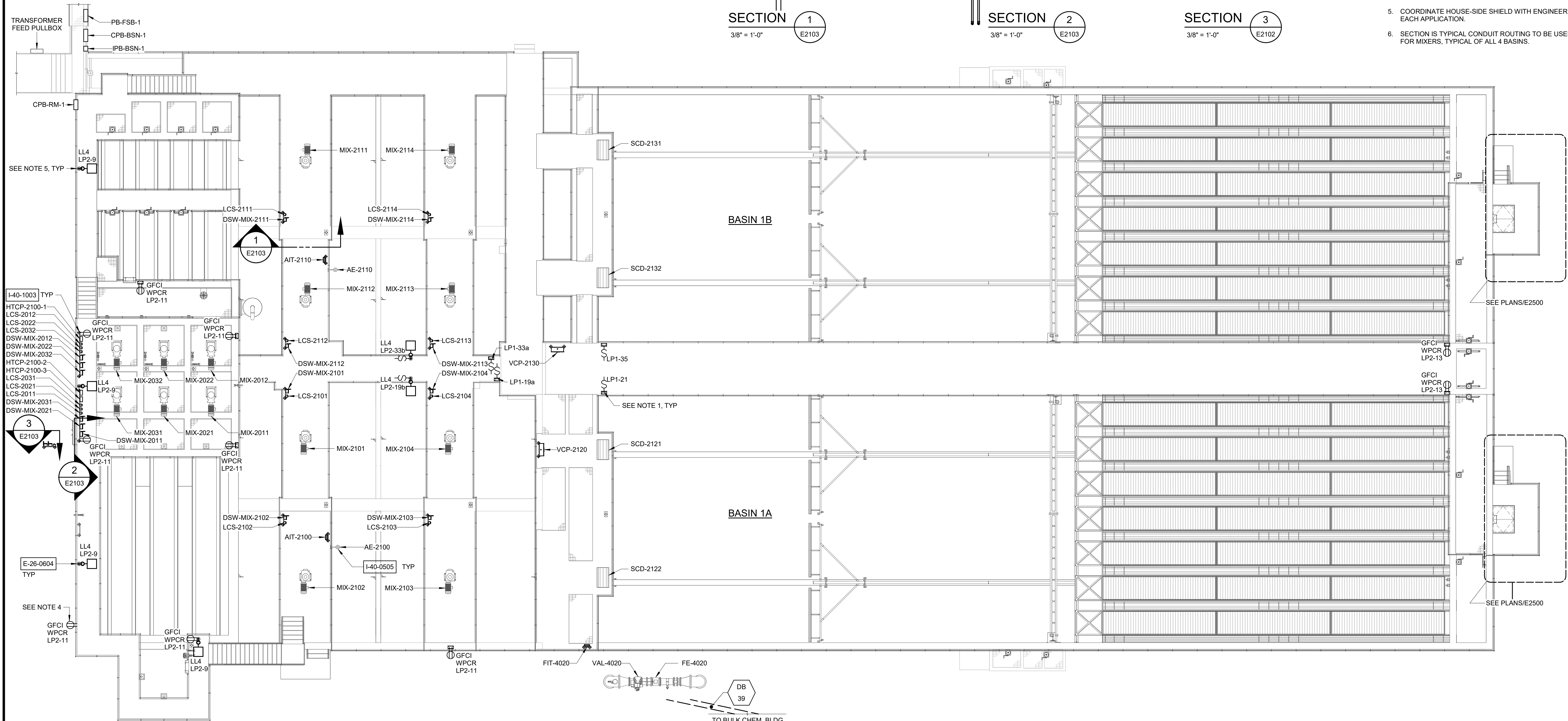
SECTION 2
3/8" = 1'-0" E2103



SECTION 3
3/8" = 1'-0" E2102

NOTES:

1. REPLACE EXISTING LIGHT SWITCH IN-KIND AND MOUNT TO NEW HANDAIL IN SAME LOCATION.
2. NEW CONDUIT SHALL BE ROUTED AS EXPOSED USING A CONDUIT RACK SYSTEM. CONDUIT AND RACK SUPPORTS SHALL NOT BE ATTACHED TO HANDRAILS. SEE DETAIL E-26-0203 FOR CONDUIT RACK DETAILS.
3. WHERE CONDUIT MUST CROSS WALKWAYS, CORE BELOW WALKWAY TO AVOID ROUTING CONDUIT OVERHEAD OR ON TOP OF THE SLAB. TYPICAL OF ALL 4 BASINS.
4. RECEPTACLE SHALL BE MOUNTED ON WALL BELOW RAPID MIX STRUCTURE WALKWAY, 3' ABOVE FINISHED GROUND.
5. COORDINATE HOUSE-SIDE SHIELD WITH ENGINEER FOR EACH APPLICATION.
6. SECTION IS TYPICAL CONDUIT ROUTING TO BE USED FOR MIXERS, TYPICAL OF ALL 4 BASINS.



TOP PLAN
1" = 10'-0"

GMP SUBMITTAL. DO NOT USE FOR CONSTRUCTION.

Autodesk_Docs/60711-001_Wilson_WTP_Renewal_Plan_Basins/60711-003-2000-RAPID_MIX-2100-FSB-1-LEC-V1 11/20/24 8:04:24 AM

PROJECT MANAGER:	T. HUDSON
DESIGNED BY:	N. NELSON
DRAWN BY:	N. NELSON
PROJECT ENGINEER:	B. BUELTEL
IF THIS BAR DOES NOT MEASURE 1" THEN DRAWING IS NOT TO FULL SCALE	0 1/2" 1"



Hazen
HAZEN AND SAWYER
8150 N. CENTRAL EXPRESSWAY
TOWER II - SUITE 700
DALLAS, TEXAS 75206

CENTRAL ARKANSAS WATER
LITTLE ROCK, ARKANSAS

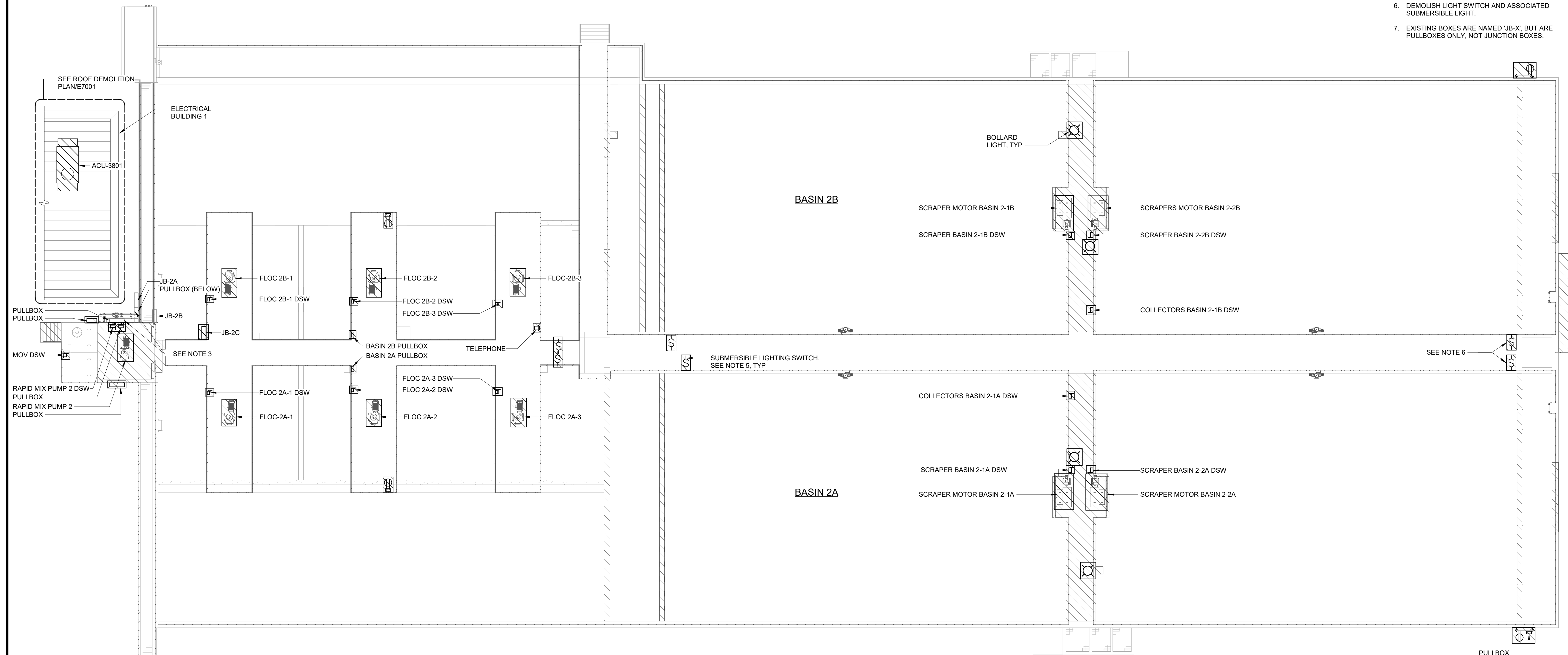
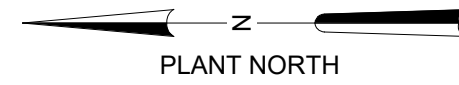
JACK H. WILSON WTP RENEWAL
AND RESILIENCY PROJECT

FLOCCULATION AND SEDIMENTATION BASIN 1
ELECTRICAL
TOP PLAN

DATE:	NOVEMBER 2024
HAZEN NO.:	60711-003
CONTRACT NO.:	1
DRAWING NUMBER:	E2103

NOTES:

1. REMOVE ALL CONDUCTORS, EXPOSED PORTIONS OF CONDUITS, AND SUPPORTS ASSOCIATED WITH DEMOLISHED ELECTRICAL AND INSTRUMENTATION EQUIPMENT.
2. REFERENCE OTHER DISCIPLINE DRAWINGS FOR ADDITIONAL DEMOLITION REQUIREMENTS.
3. REMOVE PULLBOXES AND KEEP FOR REUSE.
4. SOME EXISTING PULLBOXES ARE NOT LABELED. LABELS WILL BE ADDED FOR CLARITY. SEE SHEET E2201 FOR NEW PULLBOX LABELS.
5. DEMOLISH EXISTING LIGHT SWITCH MOUNTED TO HANDRAIL.
6. DEMOLISH LIGHT SWITCH AND ASSOCIATED SUBMERSIBLE LIGHT.
7. EXISTING BOXES ARE NAMED 'JB-X', BUT ARE PULLBOXES ONLY, NOT JUNCTION BOXES.



TOP PLAN - DEMOLITION
1" = 10'-0"

GMP SUBMITTAL. DO NOT USE FOR CONSTRUCTION.

Autodesk_Docs\60711-001_Wilson_WTP_Rehab_Filter_Basins\60711-003-2300-FS02-ELEC.rvt 11/20/24 7:40:05 AM

REV	ISSUED FOR	DATE	BY

PROJECT MANAGER:	T. HUDSON
DESIGNED BY:	N. NELSON
DRAWN BY:	N. NELSON
PROJECT ENGINEER:	B. BUELTEL
IF THIS BAR DOES NOT MEASURE 1" THEN DRAWING IS NOT TO FULL SCALE	0 1/2" 1"



Hazen
HAZEN AND SAWYER
8150 N. CENTRAL EXPRESSWAY
TOWER II - SUITE 700
DALLAS, TEXAS 75206

CENTRAL ARKANSAS WATER
LITTLE ROCK, ARKANSAS

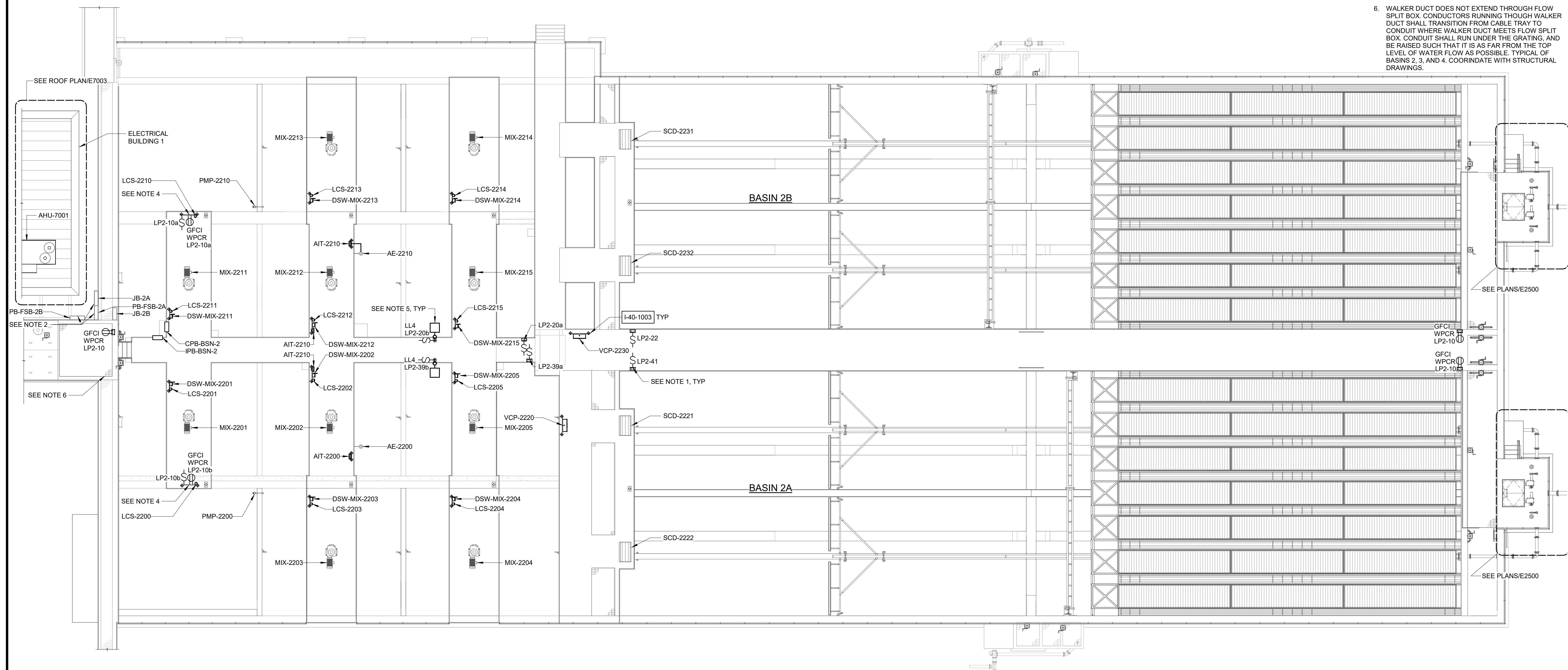
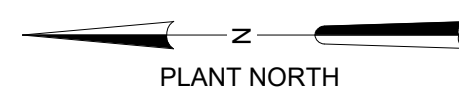
JACK H. WILSON WTP RENEWAL
AND RESILIENCY PROJECT

FLOCCULATION AND SEDIMENTAITON BASIN 2
ELECTRICAL
TOP PLAN - DEMOLITION

DATE:	NOVEMBER 2024
HAZEN NO.:	60711-003
CONTRACT NO.:	1
DRAWING NUMBER:	E2200

NOTES:

1. REPLACE EXISTING LIGHT SWITCH IN-KIND AND MOUNT TO NEW HANDAIL IN SAME LOCATION.
2. MOUNT PRESERVED PULLBOXES IN SAME LOCATION ON NEW STRUCTURE.
3. NEW CONDUIT SHALL BE ROUTED AS EXPOSED USING A CONDUIT RACK SYSTEM. CONDUIT AND RACK SUPPORTS SHALL NOT BE ATTACHED TO HANDRAILS. SEE DETAIL E-26-0203 FOR CONDUIT RACK DETAILS.
4. SWITCH SHALL CONTROL ONLY ADJACENT DEDICATED RECEPTACLE FOR SUBMERSIBLE SUMP PUMPS.
5. COORDINATE HOUSE-SIDE SHIELD WITH ENGINEER FOR EACH APPLICATION.
6. WALKER DUCT DOES NOT EXTEND THROUGH FLOW SPLIT BOX. CONDUCTORS RUNNING THROUGH WALKER DUCT SHALL TRANSITION FROM CABLE TRAY TO CONDUIT WHERE WALKER DUCT MEETS FLOW SPLIT BOX. CONDUIT SHALL RUN UNDER THE GRATING, AND BE RAISED SUCH THAT IT IS AS FAR FROM THE TOP LEVEL OF WATER FLOW AS POSSIBLE. TYPICAL OF BASINS 2, 3, AND 4. COORDINATE WITH STRUCTURAL DRAWINGS.



TOP PLAN
1" = 10'-0"

GMP SUBMITTAL. DO NOT USE FOR CONSTRUCTION.

Autodesk Docs/60711-001_Wilson_WTP_Renab_Elec_Basins/60711-003-2300-FSB2-ELEC.rvt
 11/19/2024 7:40:07 AM

REV	ISSUED FOR	DATE	BY

PROJECT MANAGER:	T. HUDSON
DESIGNED BY:	N. NELSON
DRAWN BY:	N. NELSON
PROJECT ENGINEER:	B. BUELTEL
IF THIS BAR DOES NOT MEASURE 1" THEN DRAWING IS NOT TO FULL SCALE	



Hazen

HAZEN AND SAWYER
8150 N. CENTRAL EXPRESSWAY
TOWER II - SUITE 700
DALLAS, TEXAS 75206

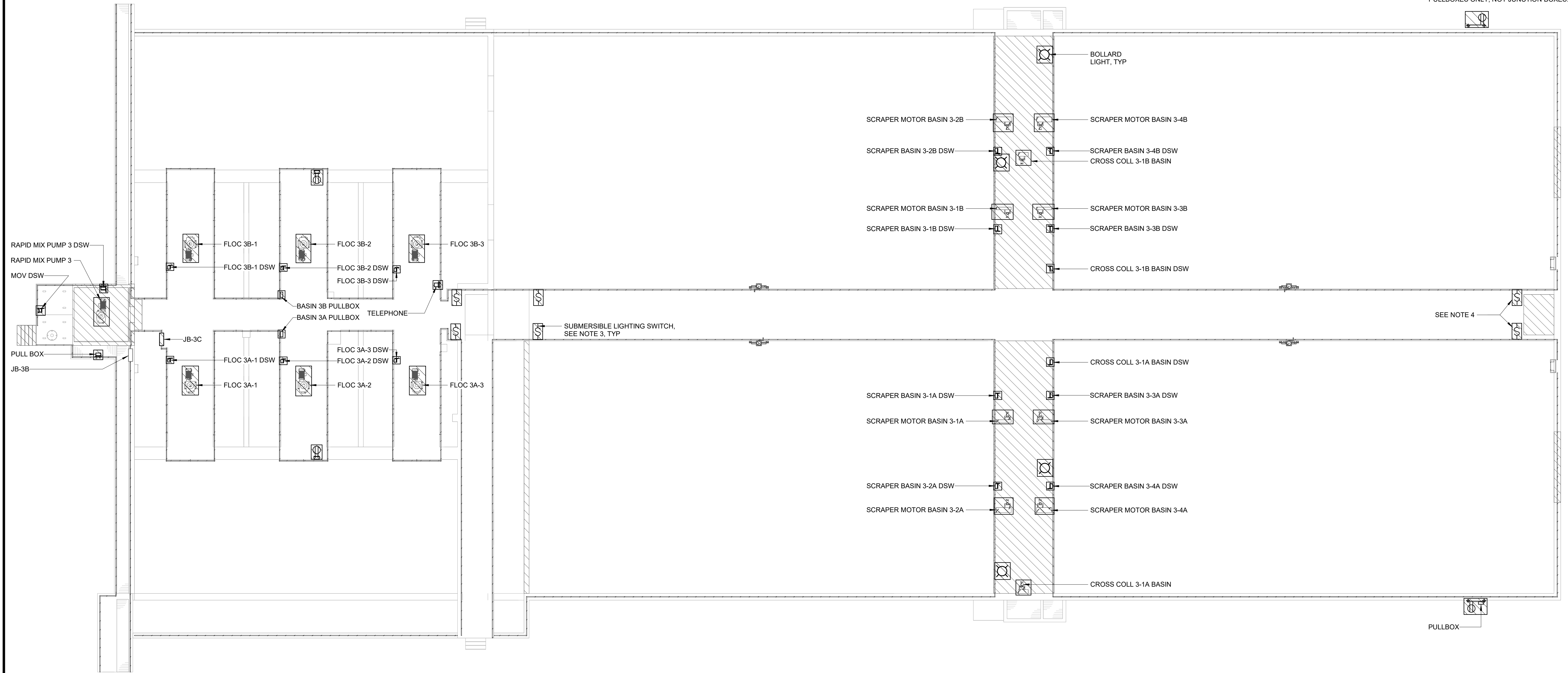
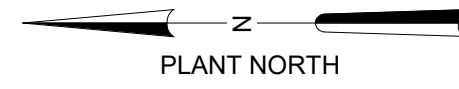
CENTRAL ARKANSAS WATER
LITTLE ROCK, ARKANSAS

JACK H. WILSON WTP RENEWAL
AND RESILIENCY PROJECT

FLOCCULATION AND SEDIMENTATION BASIN 2
ELECTRICAL
TOP PLAN

DATE:	NOVEMBER 2024
HAZEN NO.:	60711-003
CONTRACT NO.:	1
DRAWING NUMBER:	E2201

- NOTES:
1. REMOVE ALL CONDUCTORS, EXPOSED PORTIONS OF CONDUITS, AND SUPPORTS ASSOCIATED WITH DEMOLISHED ELECTRICAL AND INSTRUMENTATION EQUIPMENT.
 2. REFERENCE OTHER DISCIPLINE DRAWINGS FOR ADDITIONAL DEMOLITION REQUIREMENTS.
 3. DEMOLISH EXISTING LIGHT SWITCH MOUNTED TO HANDRAIL.
 4. DEMOLISH LIGHT SWITCH AND ASSOCIATED SUBMERSIBLE LIGHT.
 5. EXISTING BOXES ARE NAMED 'JB-X', BUT ARE PULLBOXES ONLY, NOT JUNCTION BOXES.



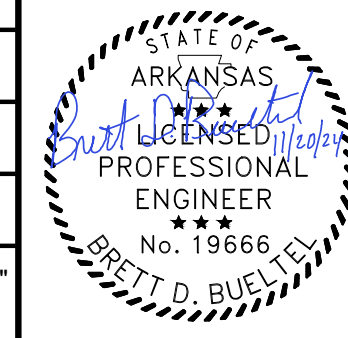
TOP PLAN - DEMOLITION
1" = 10'-0"

GMP SUBMITTAL. DO NOT USE FOR CONSTRUCTION.

Autodesk/Doc/60711-001_Wilson_WTP_Rehab_Filter_Basins/60711-003-2300-FSB3-ELEC.rvt 11/20/24 8:13:36 AM

REV	ISSUED FOR	DATE	BY

PROJECT MANAGER:	T. HUDSON
DESIGNED BY:	N. NELSON
DRAWN BY:	N. NELSON
PROJECT ENGINEER:	B. BUELTEL
IF THIS BAR DOES NOT MEASURE 1" THEN DRAWING IS NOT TO FULL SCALE	0 1/2" 1"



Hazen
HAZEN AND SAWYER
8150 N. CENTRAL EXPRESSWAY
TOWER II - SUITE 700
DALLAS, TEXAS 75206

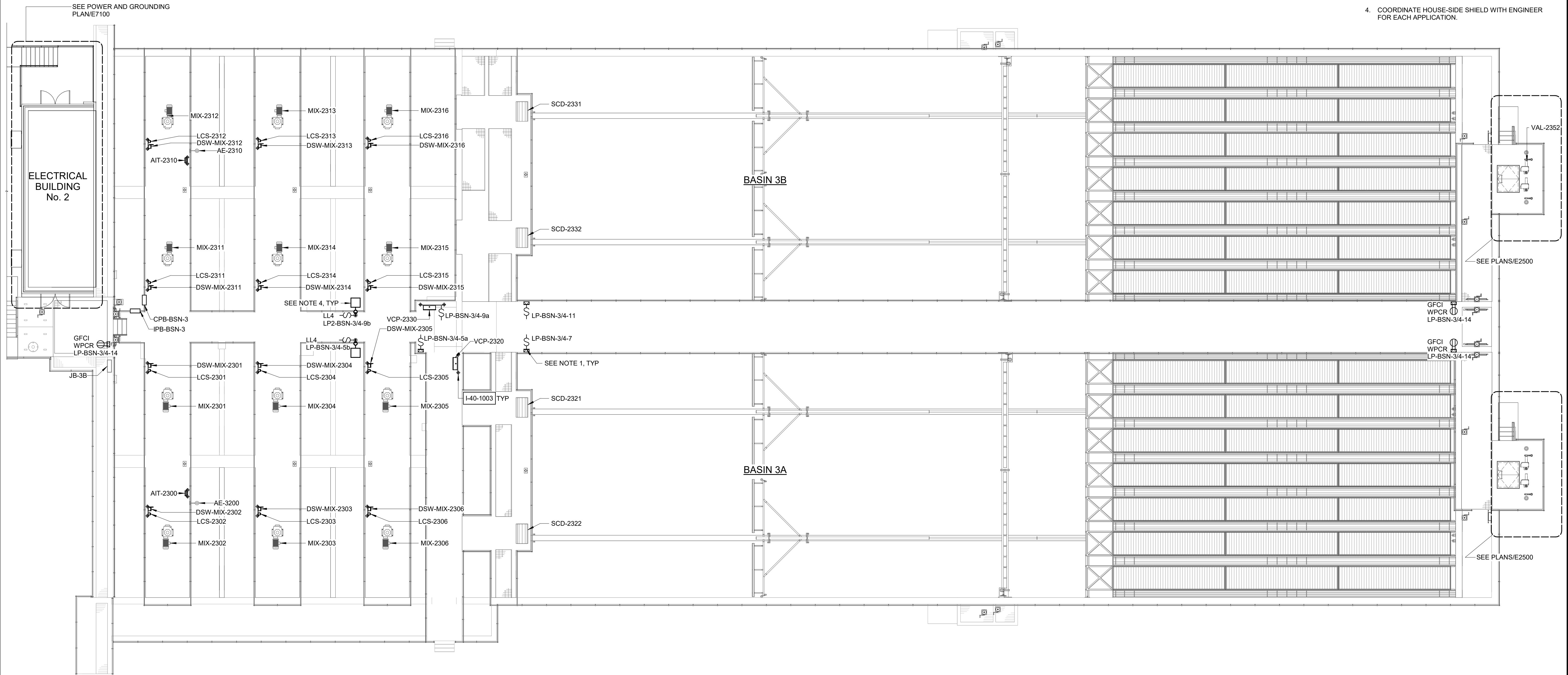
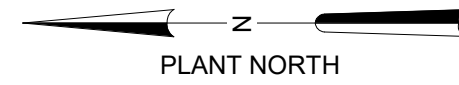
CENTRAL ARKANSAS WATER
LITTLE ROCK, ARKANSAS

JACK H. WILSON WTP RENEWAL
AND RESILIENCY PROJECT

FLOCCULATION AND SEDIMENTATION BASIN 3
ELECTRICAL
TOP PLAN - DEMOLITION

DATE:	NOVEMBER 2024
HAZEN NO.:	60711-003
CONTRACT NO.:	1
DRAWING NUMBER:	E2300

- NOTES:**
1. REPLACE EXISTING LIGHT SWITCH IN-KIND AND MOUNT TO NEW HANDAIL IN SAME LOCATION.
 2. NEW CONDUIT SHALL BE ROUTED AS EXPOSED. CONDUIT RACKS SHALL BE USED TO ELEVATE CONDUIT WHERE TRIPPING HAZARDS COULD BE PRESENT. SEE DETAIL E-26-0203 FOR CONDUIT RACK DETAILS.
 3. NEW CONDUIT SHALL BE ROUTED AS EXPOSED USING A CONDUIT RACK SYSTEM. CONDUIT AND RACK SUPPORTS SHALL NOT BE ATTACHED TO HANDRAILS. SEE DETAIL E-26-0203 FOR CONDUIT RACK DETAILS.
 4. COORDINATE HOUSE-SIDE SHIELD WITH ENGINEER FOR EACH APPLICATION.



TOP PLAN
1" = 10'-0"

GMP SUBMITTAL. DO NOT USE FOR CONSTRUCTION.

Autodesk_Docs\60711-001_Wilson_WTP_Rehab_Elec_Basins\60711-003-2300-FSB3-ELEC.rvt 11/20/2024 8:13:37 AM

REV	ISSUED FOR	DATE	BY

PROJECT MANAGER:	T. HUDSON
DESIGNED BY:	N. NELSON
DRAWN BY:	N. NELSON
PROJECT ENGINEER:	B. BUELTEL
IF THIS BAR DOES NOT MEASURE 1" THEN DRAWING IS NOT TO FULL SCALE	



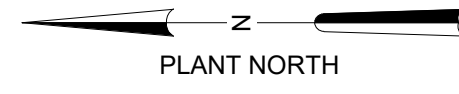
Hazen
HAZEN AND SAWYER
8150 N. CENTRAL EXPRESSWAY
TOWER II - SUITE 700
DALLAS, TEXAS 75206

CENTRAL ARKANSAS WATER
LITTLE ROCK, ARKANSAS

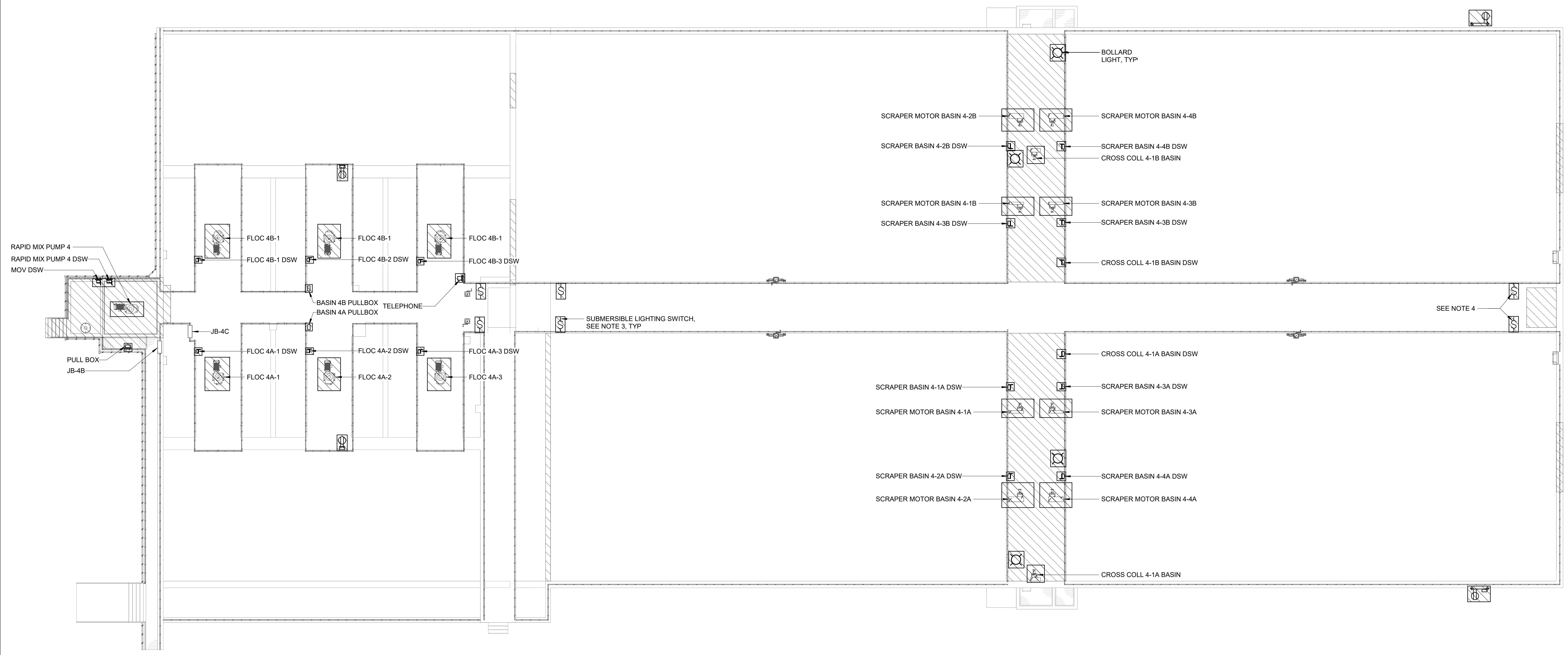
JACK H. WILSON WTP RENEWAL
AND RESILIENCY PROJECT

FLOCCULATION AND SEDIMENTATION BASIN 3
ELECTRICAL
TOP PLAN

DATE:	NOVEMBER 2024
HAZEN NO.:	60711-003
CONTRACT NO.:	1
DRAWING NUMBER:	E2301



- NOTES:**
1. REMOVE ALL CONDUCTORS, EXPOSED PORTIONS OF CONDUITS, AND SUPPORTS ASSOCIATED WITH DEMOLISHED ELECTRICAL AND INSTRUMENTATION EQUIPMENT.
 2. REFERENCE OTHER DISCIPLINE DRAWINGS FOR ADDITIONAL DEMOLITION REQUIREMENTS.
 3. DEMOLISH EXISTING LIGHT SWITCH MOUNTED TO HANDRAIL.
 4. DEMOLISH LIGHT SWITCH AND ASSOCIATED SUBMERSIBLE LIGHT.
 5. EXISTING BOXES ARE NAMED 'JB-X', BUT ARE PULLBOXES ONLY, NOT JUNCTION BOXES.



TOP PLAN - DEMOLITION
1" = 10'-0"

GMP SUBMITTAL. DO NOT USE FOR CONSTRUCTION.

Autodesk Docs/60711-001_Wilson_WTP_Rehab_Filter_Basins/60711-003-2400-FSB4-ELEC.rvt
11/20/2024 8:14:56 AM

REV	ISSUED FOR	DATE	BY

PROJECT MANAGER:	T. HUDSON
DESIGNED BY:	N. NELSON
DRAWN BY:	N. NELSON
PROJECT ENGINEER:	B. BUELTEL
IF THIS BAR DOES NOT MEASURE 1" THEN DRAWING IS NOT TO FULL SCALE	



Hazen
HAZEN AND SAWYER
8150 N. CENTRAL EXPRESSWAY
TOWER II - SUITE 700
DALLAS, TEXAS 75206

CENTRAL ARKANSAS WATER
LITTLE ROCK, ARKANSAS

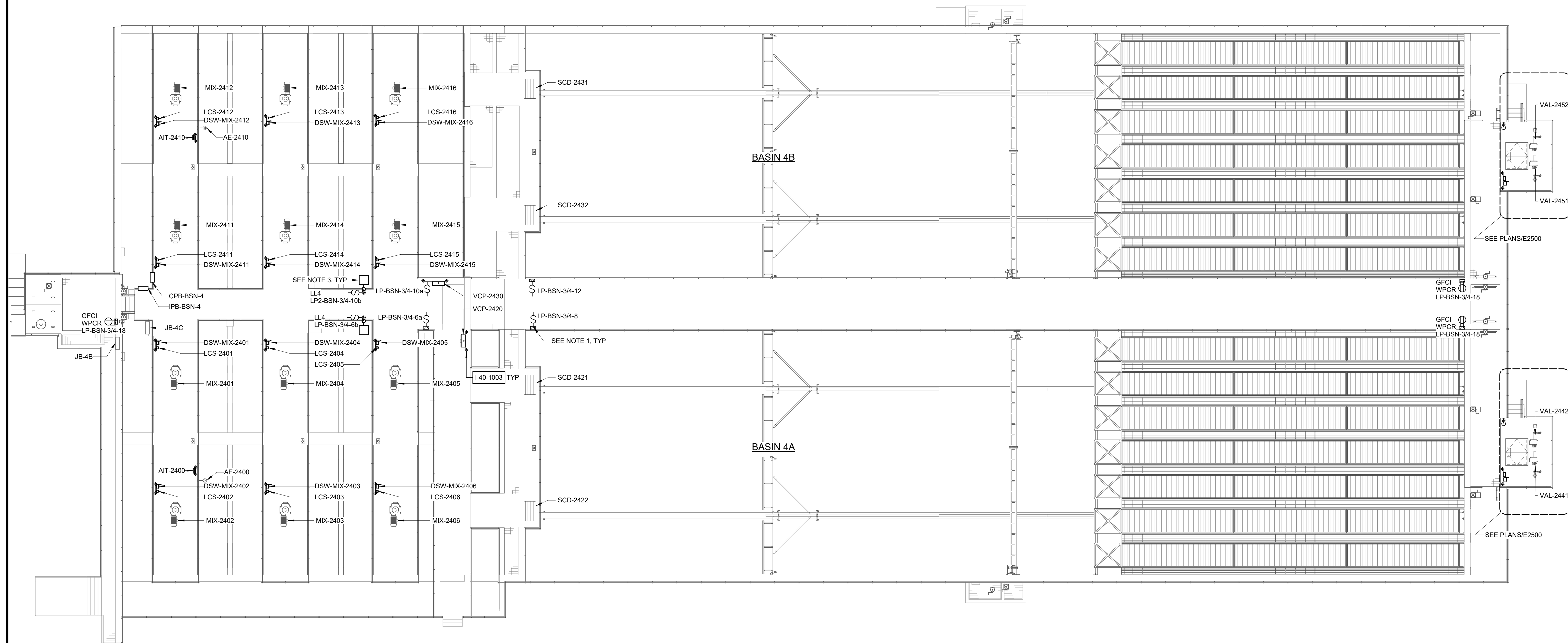
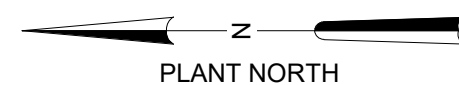
JACK H. WILSON WTP RENEWAL
AND RESILIENCY PROJECT

FLOCCULATION AND SEDIMENTATION BASIN 4
ELECTRICAL
TOP PLAN - DEMOLITION

DATE:	NOVEMBER 2024
HAZEN NO.:	60711-003
CONTRACT NO.:	1
DRAWING NUMBER:	E2400

NOTES:

1. REPLACE EXISTING LIGHT SWITCH IN-KIND AND MOUNT TO NEW HANDAIL IN SAME LOCATION.
2. NEW CONDUIT SHALL BE ROUTED AS EXPOSED USING A CONDUIT RACK SYSTEM. CONDUIT AND RACK SUPPORTS SHALL NOT BE ATTACHED TO HANDRAILS. SEE DETAIL E-26-0203 FOR CONDUIT RACK DETAILS.
3. COORDINATE HOUSE-SIDE SHIELD WITH ENGINEER FOR EACH APPLICATION.

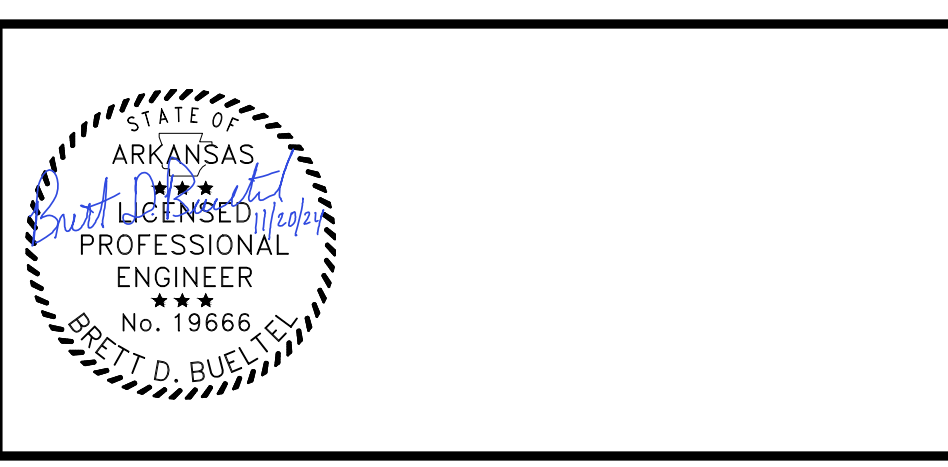


TOP PLAN
1" = 10'-0"

GMP SUBMITTAL. DO NOT USE FOR CONSTRUCTION.

Autodesk_Docs\60711_001_Wilson_WTP_Renewal_Electrical_Basins\Basin4\60711-003-2400-FSB4-ELEC.rvt 11/19/2024 8:14:57 AM

PROJECT MANAGER:	T. HUDSON
DESIGNED BY:	N. NELSON
DRAWN BY:	N. NELSON
PROJECT ENGINEER:	B. BUELTEL
IF THIS BAR DOES NOT MEASURE 1" THEN DRAWING IS NOT TO FULL SCALE	0 1/2" 1"
REV	ISSUED FOR
	DATE
	BY



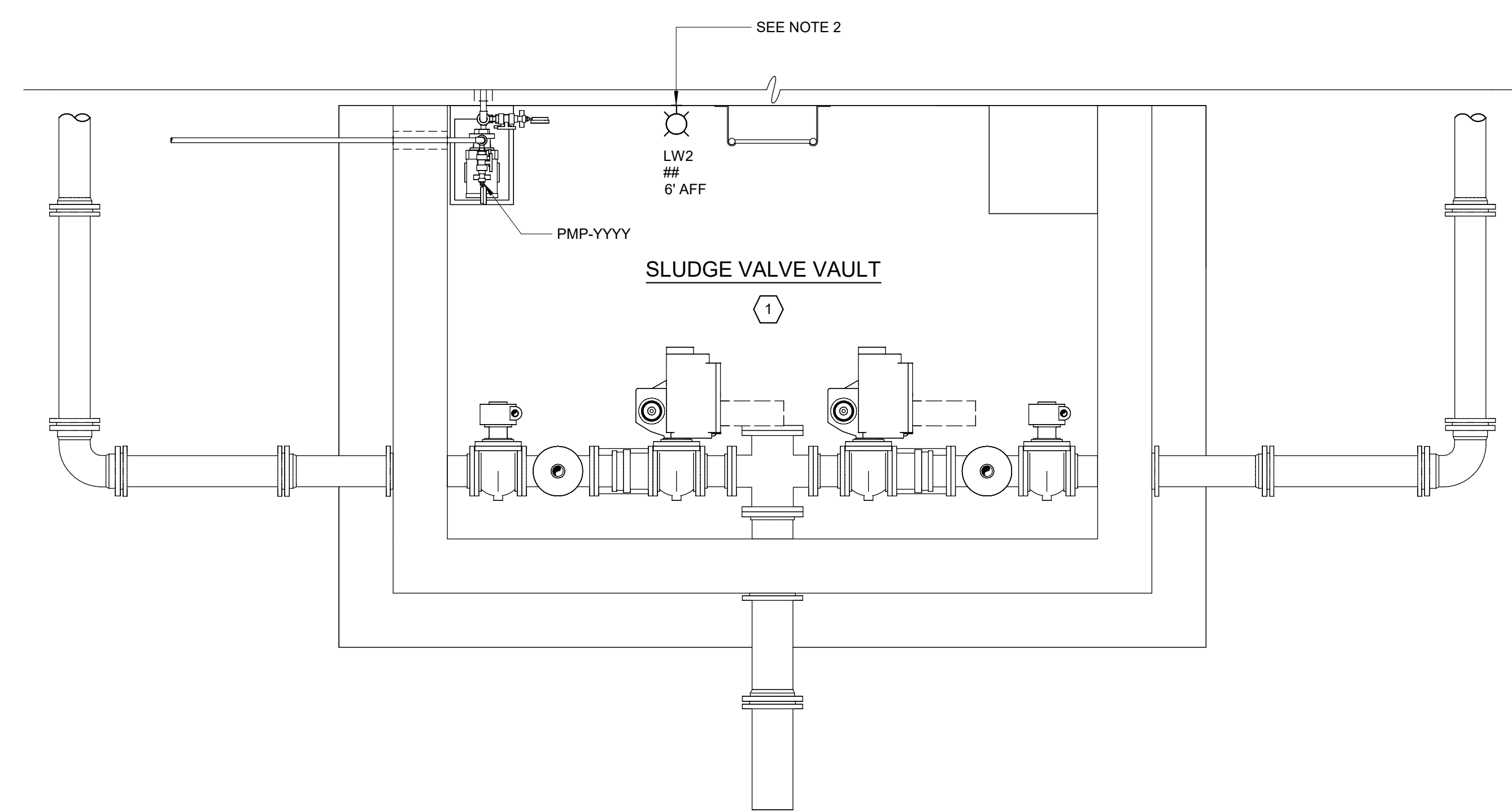
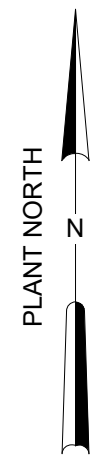
Hazen
HAZEN AND SAWYER
8150 N. CENTRAL EXPRESSWAY
TOWER II - SUITE 700
DALLAS, TEXAS 75206

CENTRAL ARKANSAS WATER
LITTLE ROCK, ARKANSAS

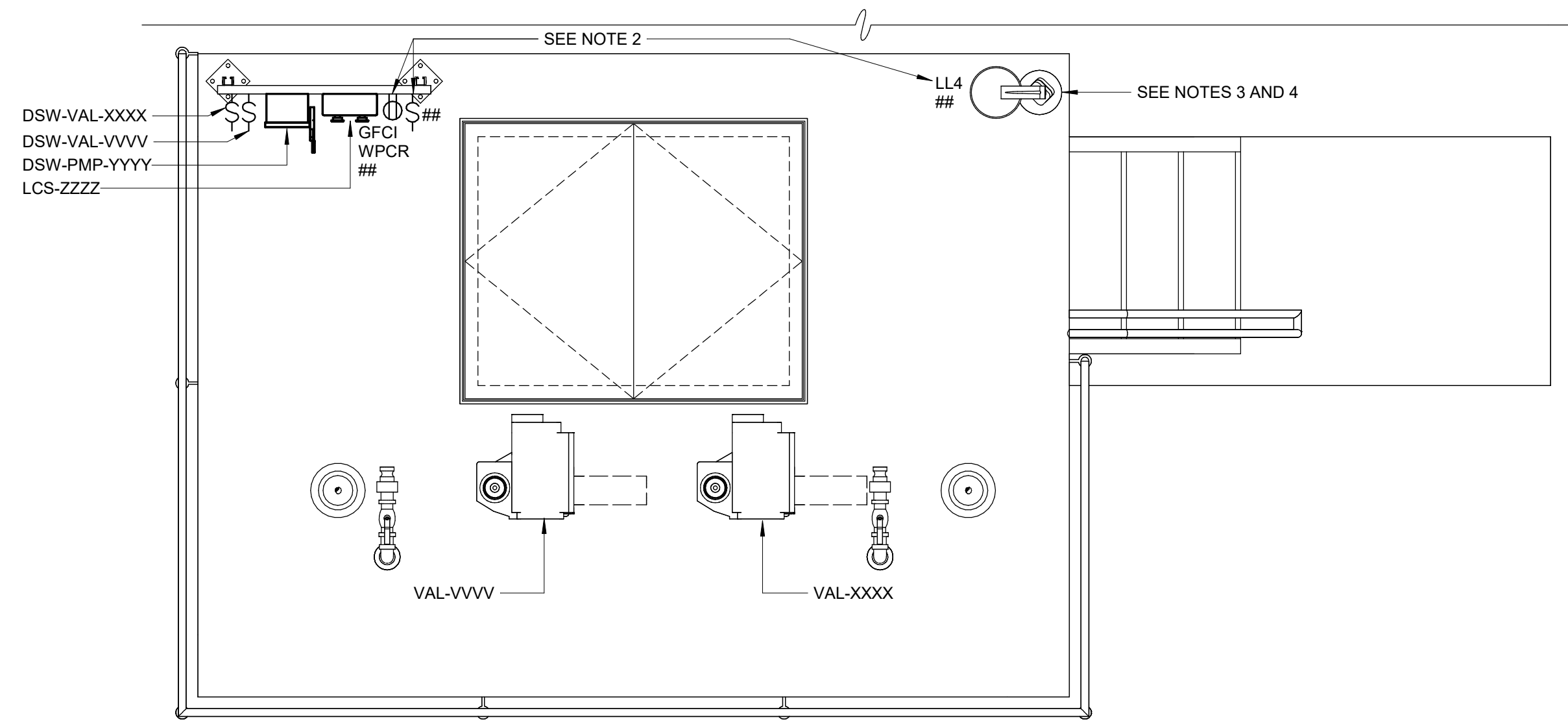
JACK H. WILSON WTP RENEWAL
AND RESILIENCY PROJECT

FLOCCULATION AND SEDIMENTATION BASIN 4
ELECTRICAL
TOP PLAN

DATE:	NOVEMBER 2024
HAZEN NO.:	60711-003
CONTRACT NO.:	1
DRAWING NUMBER:	E2401



BOTTOM PLAN
1/2" = 1'-0"



TOP PLAN
1/2" = 1'-0"

- NOTES:**
- SEE SCHEDULE BELOW FOR EQUIPMENT TAG SCHEDULE FOR ALL BASIN VALVE VAULTS. PLAN VIEWS ARE TYPICAL OF ALL BASIN VALVE VAULTS.
 - SEE SCHEDULE BELOW FOR LIGHTING AND RECEPTACLE CIRCUIT NUMBERS.
 - POLE LIGHT SHALL BE CIRCUITED AHEAD OF LIGHT SWITCH. LIGHT SWITCH TO BE USED FOR LIGHT WITHIN VALVE VAULT ONLY.
 - COORDINATE HOUSE-SIDE SHIELD WITH ENGINEER FOR EACH APPLICATION.

BASIN VALVE VAULT EQUIPMENT SCHEDULE				
VALVE VAULT No.	VAL-VVVV	VAL-XXXX	PMP-YYYY	LCS-ZZZZ
1A	VAL-2142	VAL-2141	PMP-2143	LCS-2143
1B	VAL-2152	VAL-2151	PMP-2153	LCS-2153
2A	VAL-2241	VAL-2242	PMP-2243	LCS-2243
2B	VAL-2251	VAL-2252	PMP-2253	LCS-2253
3A	VAL-2341	VAL-2342	PMP-2343	LCS-2343
3B	VAL-2351	VAL-2352	PMP-2353	LCS-2353
4A	VAL-2441	VAL-2442	PMP-2443	LCS-2443
4B	VAL-2451	VAL-2452	PMP-2453	LCS-2453

BASIN VALVE VAULT CIRCUIT SCHEDULE		
VALVE VAULT	LIGHTING CIRCUIT	RECEPTACLE CIRCUIT
1A	LP2-15	LP2-13
1B	LP2-15	LP2-13
2A	LP2-12	LP2-10
2B	LP2-12	LP2-10
3A	LP-BSN-3/4-16	LP-BSN-3/4-14
3B	LP-BSN-3/4-16	LP-BSN-3/4-14
4A	LP-BSN-3/4-20	LP-BSN-3/4-18
4B	LP-BSN-3/4-20	LP-BSN-3/4-18

- AREA DESIGNATIONS:**
- ① INDOOR WET PROCESS AREA
 - ② INDOOR DRY PROCESS AREA
 - ③ INDOOR DRY NON-PROCESS AREA

GMP SUBMITTAL. DO NOT USE FOR CONSTRUCTION.

Autodesk Docs/60711-001_Wilson_WTP_Renewal_Electrical/11/18/2024 2:24:15 AM

REV	ISSUED FOR	DATE	BY

PROJECT MANAGER:	T. HUDSON
DESIGNED BY:	N. NELSON
DRAWN BY:	N. NELSON
PROJECT ENGINEER:	B. BUELTEL
IF THIS BAR DOES NOT MEASURE 1" THEN DRAWING IS NOT TO FULL SCALE	



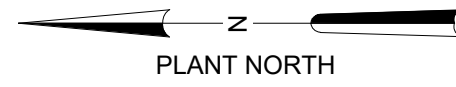
Hazen
HAZEN AND SAWYER
8150 N. CENTRAL EXPRESSWAY
TOWER II - SUITE 700
DALLAS, TEXAS 75206

CENTRAL ARKANSAS WATER
LITTLE ROCK, ARKANSAS

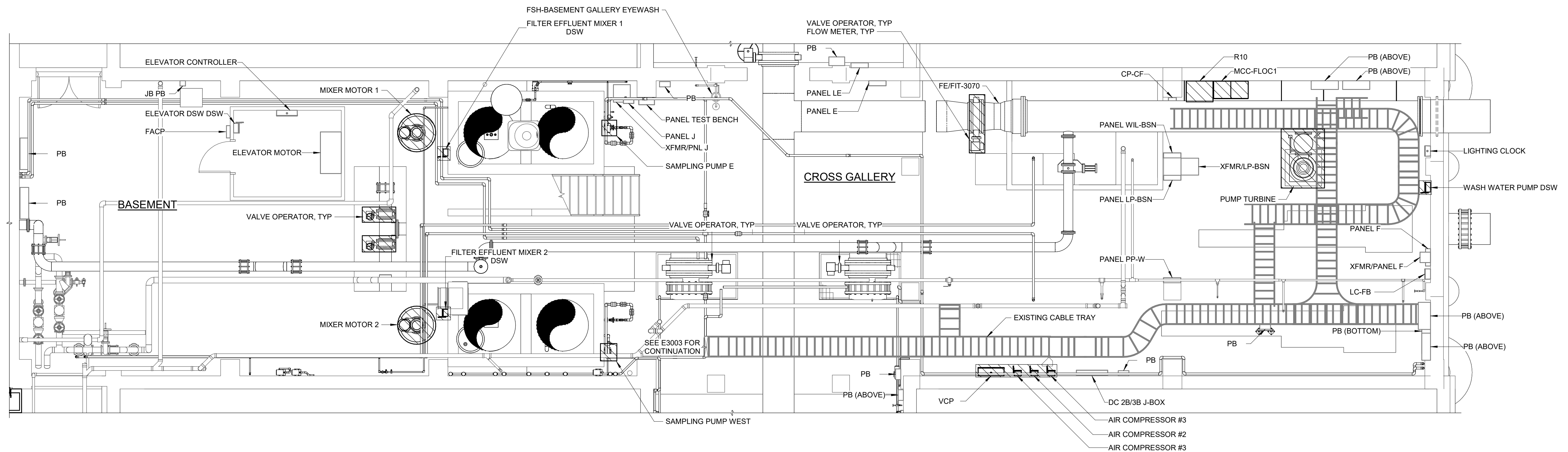
JACK H. WILSON WTP RENEWAL
AND RESILIENCY PROJECT

SLUDGE VALVE VAULTS 1 THRU 8
ELECTRICAL
PLANS

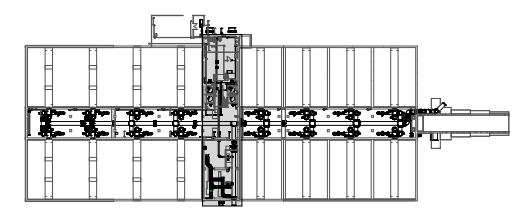
DATE:	NOVEMBER 2024
HAZEN NO.:	60711-003
CONTRACT NO.:	1
DRAWING NUMBER:	E2500



- NOTES:**
1. REMOVE CONDUCTORS, CONDUITS, AND SUPPORTS ASSOCIATED WITH DEMOLISHED ELECTRICAL AND INSTRUMENTATION EQUIPMENT.
 2. REFERENCE OTHER DISCIPLINE DRAWINGS FOR ADDITIONAL DEMOLITION REQUIREMENTS.



ENLARGED BOTTOM PLAN - CROSS GALLERY DEMOLITION - EL 529.50
 3/16" = 1'-0"



KEY PLAN

GMP SUBMITTAL. DO NOT USE FOR CONSTRUCTION.

Autodesk Docs/60711-001_Wilson_WTP_Rehab_Elec_Basement/60711-003-3000-FB3108-FWC-ELEC.rvt
 11/19/2024 12:54:39 PM

PROJECT MANAGER:	T. HUDSON		
DESIGNED BY:	S. REXHEPI		
DRAWN BY:	S. REXHEPI		
PROJECT ENGINEER:	B. BUELTEL		
IF THIS BAR DOES NOT MEASURE 1" THEN DRAWING IS NOT TO FULL SCALE			
REV	ISSUED FOR	DATE	BY



Hazen
 HAZEN AND SAWYER
 8150 N. CENTRAL EXPRESSWAY
 TOWER II - SUITE 700
 DALLAS, TEXAS 75206

CENTRAL ARKANSAS WATER
 LITTLE ROCK, ARKANSAS

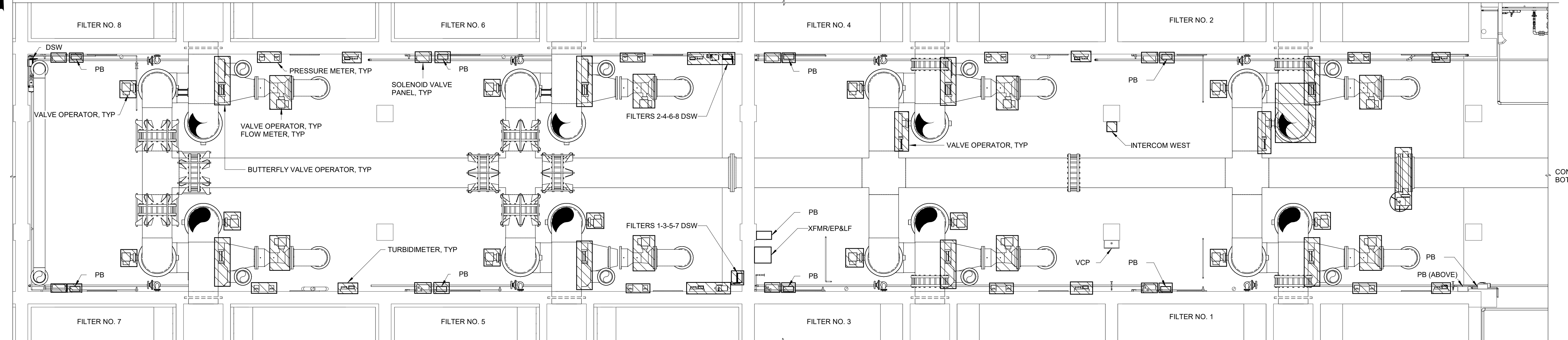
JACK H. WILSON WTP RENEWAL AND RESILIENCY PROJECT

FILTER BUILDING
ELECTRICAL
ENLARGED BOTTOM PLAN - CROSS GALLERY DEMOLITION

DATE:	NOVEMBER 2024
HAZEN NO.:	60711-003
CONTRACT NO.:	1
DRAWING NUMBER:	E3000

- NOTES:
1. REMOVE CONDUCTORS, CONDUITS, AND SUPPORTS ASSOCIATED WITH DEMOLISHED ELECTRICAL AND INSTRUMENTATION EQUIPMENT.
 2. REFERENCE OTHER DISCIPLINE DRAWINGS FOR ADDITIONAL DEMOLITION REQUIREMENTS.

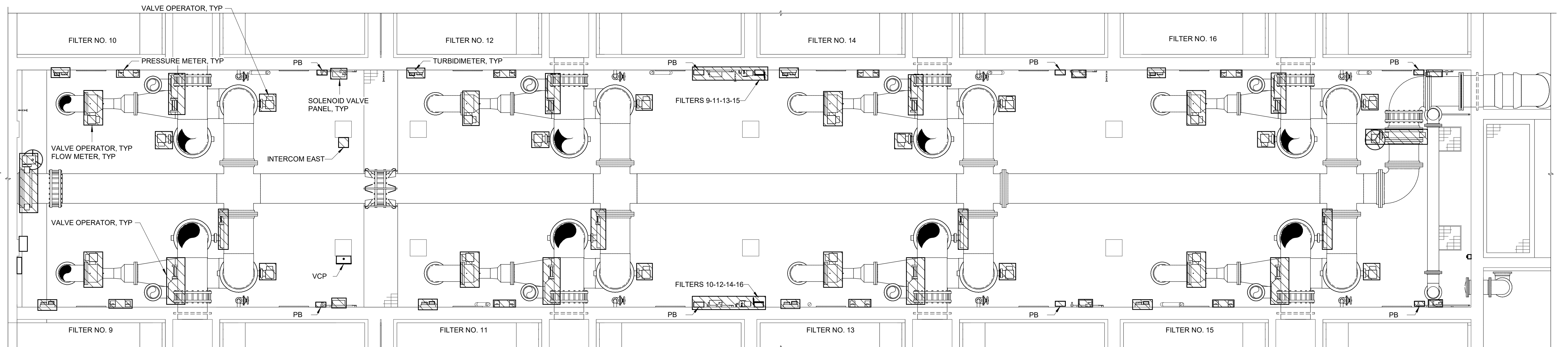
PLANT NORTH
Z



CONTINUED AT
BOTTOM LEFT

ENLARGED BOTTOM PLAN - WEST GALLERY DEMOLITION

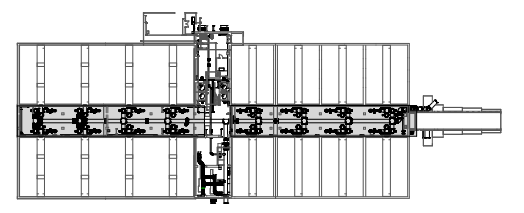
3/16" = 1'-0"



CONTINUED AT
TOP RIGHT

ENLARGED BOTTOM PLAN - EAST GALLERY DEMOLITION

3/16" = 1'-0"



KEY PLAN

GMP SUBMITTAL. DO NOT USE FOR CONSTRUCTION.

Autodesk_DocSet/60711-001_Wilson_WTP_Rehab_Filter_Build/60711-001-3000-FB3108-FWC-ELEC.rvt 11/19/2024 12:54:48 PM

REV	ISSUED FOR	DATE	BY

PROJECT MANAGER:	T. HUDSON
DESIGNED BY:	S. REXHEPI
DRAWN BY:	S. REXHEPI
PROJECT ENGINEER:	B. BUELTEL
IF THIS BAR DOES NOT MEASURE 1" THEN DRAWING IS NOT TO FULL SCALE	
0	1/2" 1"



Hazen
HAZEN AND SAWYER
8150 N. CENTRAL EXPRESSWAY
TOWER II - SUITE 700
DALLAS, TEXAS 75206

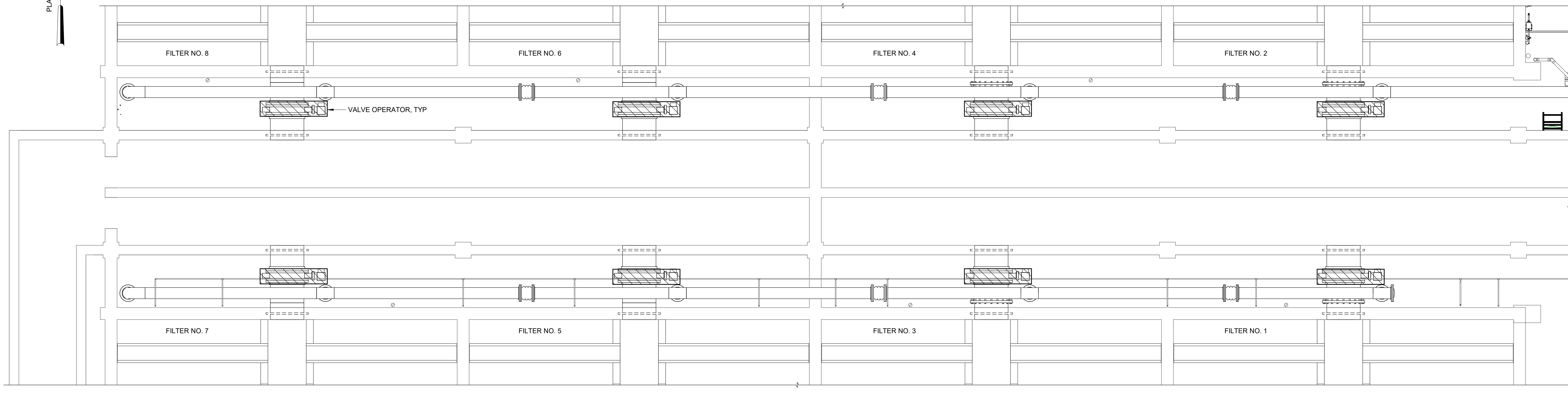
CENTRAL ARKANSAS WATER
LITTLE ROCK, ARKANSAS
JACK H. WILSON WTP RENEWAL
AND RESILIENCY PROJECT

FILTER BUILDING
ELECTRICAL
ENLARGED BOTTOM PLANS - GALLERY
DEMOLITION

DATE:	NOVEMBER 2024
HAZEN NO.:	60711-003
CONTRACT NO.:	1
DRAWING NUMBER:	E3001

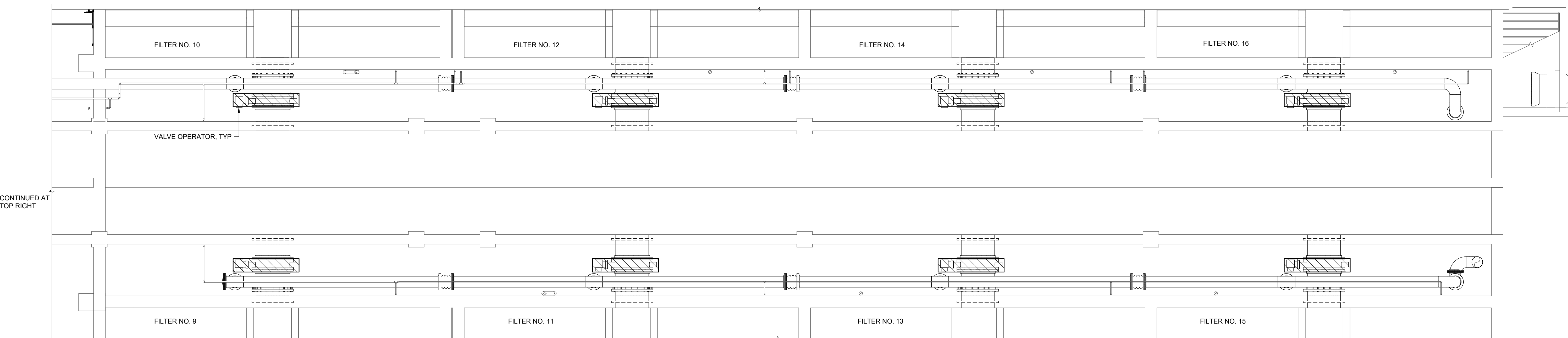
- NOTES:
1. REMOVE CONDUCTORS, CONDUITS, AND SUPPORTS ASSOCIATED WITH DEMOLISHED ELECTRICAL AND INSTRUMENTATION EQUIPMENT.
 2. REFERENCE OTHER DISCIPLINE DRAWINGS FOR ADDITIONAL DEMOLITION REQUIREMENTS.

PLANT NORTH
Z



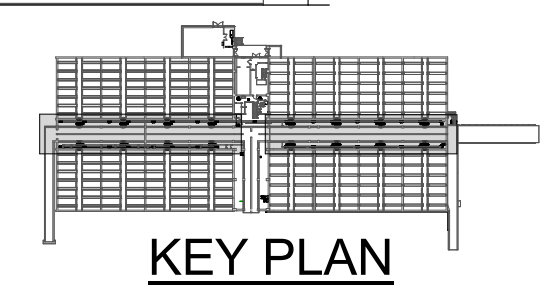
CONTINUED AT
BOTTOM LEFT

ENLARGED INTERMEDIATE PLAN - WEST GALLERY DEMOLITION
3/16" = 1'-0"



CONTINUED AT
TOP RIGHT

ENLARGED INTERMEDIATE PLAN - EAST GALLERY DEMOLITION
3/16" = 1'-0"



GMP SUBMITTAL. DO NOT USE FOR CONSTRUCTION.

Autodesk_Docs/60711-001_Wilson_WTP_Rehab_Filter_Build/60711-001-3000-FB3108-FWC-ELEC.rvt 11/19/2024 12:54:50 PM

REV	ISSUED FOR	DATE	BY

PROJECT MANAGER:	T. HUDSON
DESIGNED BY:	S. REXHEPI
DRAWN BY:	S. REXHEPI
PROJECT ENGINEER:	B. BUELTEL
IF THIS BAR DOES NOT MEASURE 1" THEN DRAWING IS NOT TO FULL SCALE	



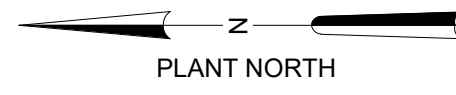
Hazen
HAZEN AND SAWYER
8150 N. CENTRAL EXPRESSWAY
TOWER II - SUITE 700
DALLAS, TEXAS 75206

CENTRAL ARKANSAS WATER
LITTLE ROCK, ARKANSAS

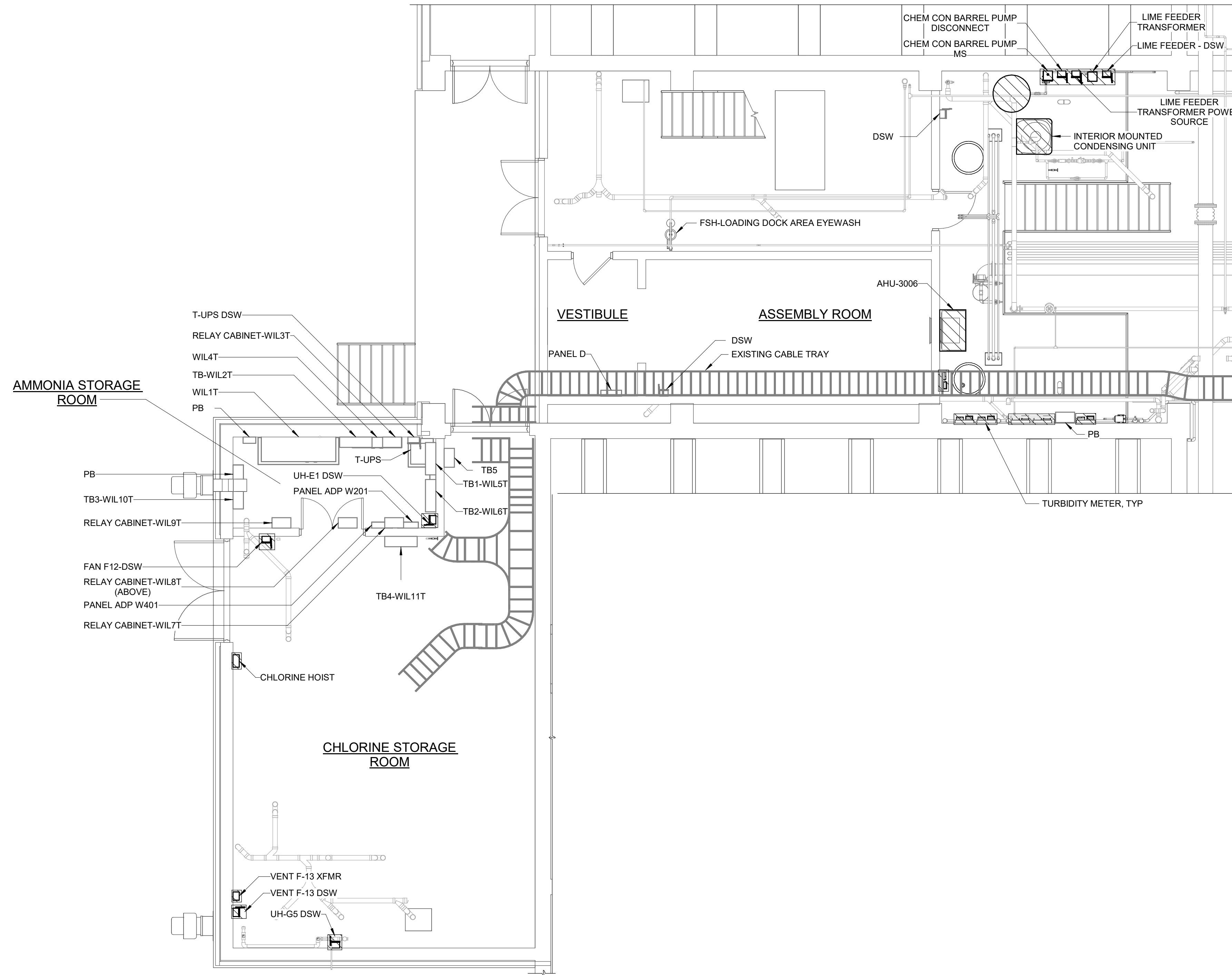
JACK H. WILSON WTP RENEWAL
AND RESILIENCY PROJECT

FILTER BUILDING
ELECTRICAL
ENLARGED INTERMEDIATE PLANS - GALLERY
DEMOLITION

DATE:	NOVEMBER 2024
HAZEN NO.:	60711-003
CONTRACT NO.:	1
DRAWING NUMBER:	E3002

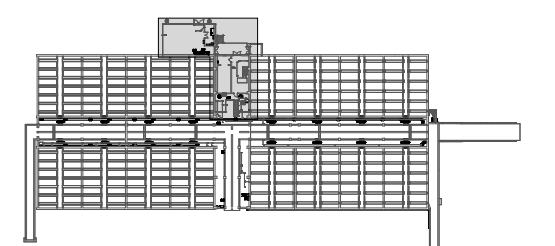


- NOTES:**
1. REMOVE CONDUCTORS, CONDUITS, AND SUPPORTS ASSOCIATED WITH DEMOLISHED ELECTRICAL AND INSTRUMENTATION EQUIPMENT.
 2. DISCONNECT AND REMOVE ALL EXISTING LIGHT FIXTURES, SWITCHES, AND RECEPTACLES WITHIN VESTIBULE AND ASSEMBLY ROOMS. REPLACE BASED ON PROPOSED LIGHTING PLANS.
 3. REFERENCE OTHER DISCIPLINE DRAWINGS FOR ADDITIONAL DEMOLITION REQUIREMENTS.



ENLARGED INTERMEDIATE PLAN - CROSS GALLERY DEMOLITION

3/16" = 1'-0"



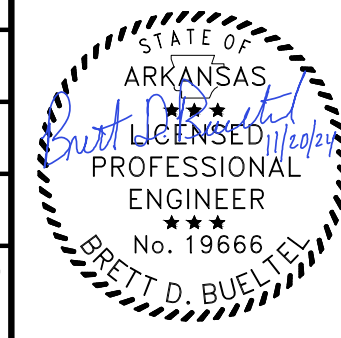
KEY PLAN

GMP SUBMITTAL. DO NOT USE FOR CONSTRUCTION.

Autodesk_Docs\60711-001_Wilson_WTP_Rehab_File_Base\60711-003-3000-FB3108-FWC-ELEC.rvt 11/19/2024 12:54:52 PM

REV	ISSUED FOR	DATE	BY

PROJECT MANAGER:	T. HUDSON
DESIGNED BY:	S. REXHEPI
DRAWN BY:	S. REXHEPI
PROJECT ENGINEER:	B. BUELTEL
IF THIS BAR DOES NOT MEASURE 1" THEN DRAWING IS NOT TO FULL SCALE	

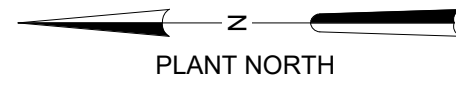


Hazen
 HAZEN AND SAWYER
 8150 N. CENTRAL EXPRESSWAY
 TOWER II - SUITE 700
 DALLAS, TEXAS 75206

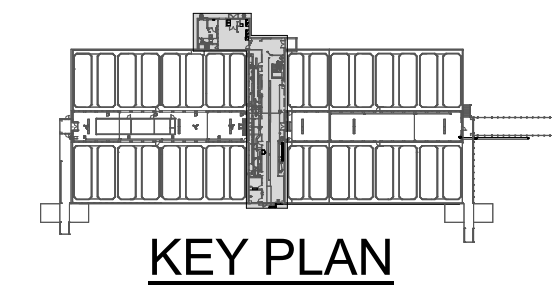
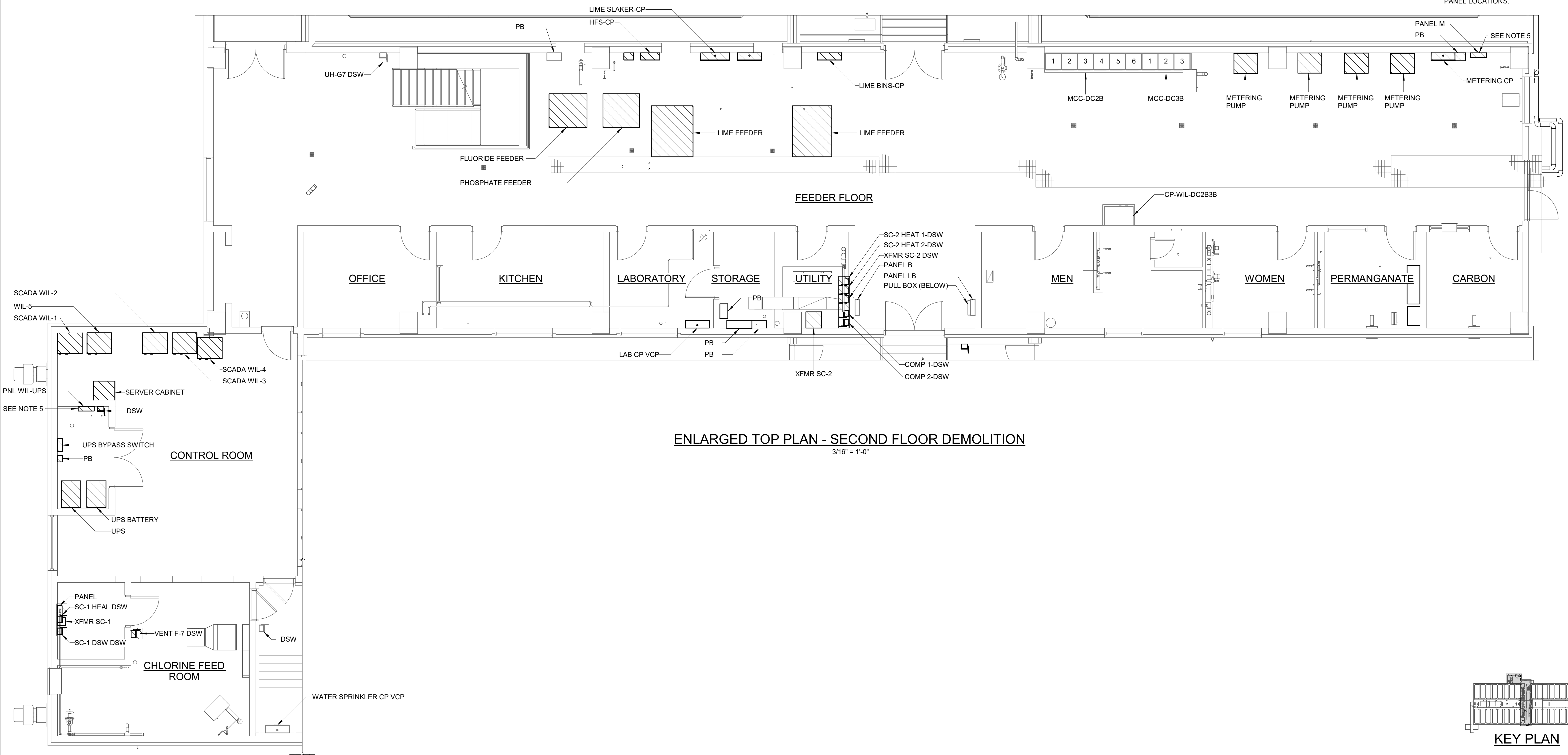
CENTRAL ARKANSAS WATER
 LITTLE ROCK, ARKANSAS
 JACK H. WILSON WTP RENEWAL
 AND RESILIENCY PROJECT

FILTER BUILDING
 ELECTRICAL
 ENLARGED INTERMEDIATE PLAN - CROSS GALLERY
 DEMOLITION

DATE:	NOVEMBER 2024
HAZEN NO.:	60711-003
CONTRACT NO.:	1
DRAWING NUMBER:	E3003



- NOTES:**
1. REMOVE CONDUCTORS, CONDUITS, AND SUPPORTS ASSOCIATED WITH DEMOLISHED ELECTRICAL AND INSTRUMENTATION EQUIPMENT.
 2. DISCONNECT AND REMOVE ALL 47 EXISTING LIGHT FIXTURES ON THIS FLOOR PLAN. REPLACE BASED ON PROPOSED LIGHTING FIXTURES.
 3. DISCONNECT AND REMOVE ALL SWITCHES AND RECEPTILES ON THIS FLOOR PLAN. REPLACE BASED ON PROPOSED LIGHTING PLAN.
 4. REFERENCE OTHER DISCIPLINE DRAWINGS FOR ADDITIONAL DEMOLITION REQUIREMENTS.
 5. DISCONNECT EXISTING LOADS AND RECONNECT TO NEW PANEL. REFERENCE PANEL SCHEDULES FOR WHICH EXISTING LOADS TO RECONNECT AND WHICH ONES TO REMOVE. INTERCEPT EXISTING CIRCUITS IN CEILING SPACE, INSTALL JBOX, AND EXTEND CIRCUITS TO NEW PANEL LOCATION. SEE SHEET E3014 FOR NEW PANEL LOCATIONS.



GMP SUBMITTAL. DO NOT USE FOR CONSTRUCTION.

Autodesk_Docs/60711-001_Wilson_WTP_Renewal_Filter_Bank/60711-003-3000-FB3108-FWC-ELEC.rvt 11/19/2024 12:54:55 PM

REV	ISSUED FOR	DATE	BY

PROJECT MANAGER:	T. HUDSON
DESIGNED BY:	S. REXHEPI
DRAWN BY:	S. REXHEPI
PROJECT ENGINEER:	B. BUELTEL
IF THIS BAR DOES NOT MEASURE 1" THEN DRAWING IS NOT TO FULL SCALE	



Hazen

HAZEN AND SAWYER
8150 N. CENTRAL EXPRESSWAY
TOWER II - SUITE 700
DALLAS, TEXAS 75206

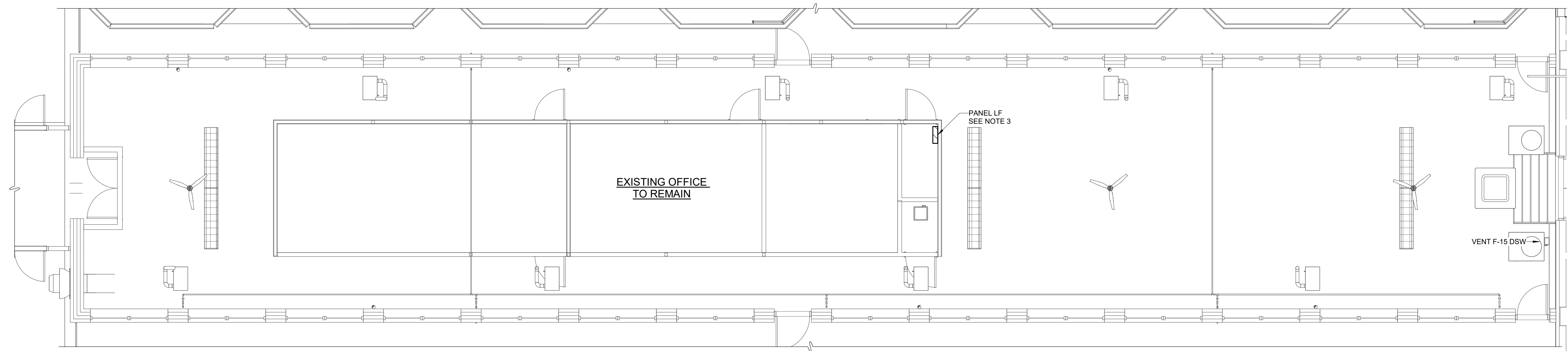
CENTRAL ARKANSAS WATER
LITTLE ROCK, ARKANSAS

JACK H. WILSON WTP RENEWAL
AND RESILIENCY PROJECT

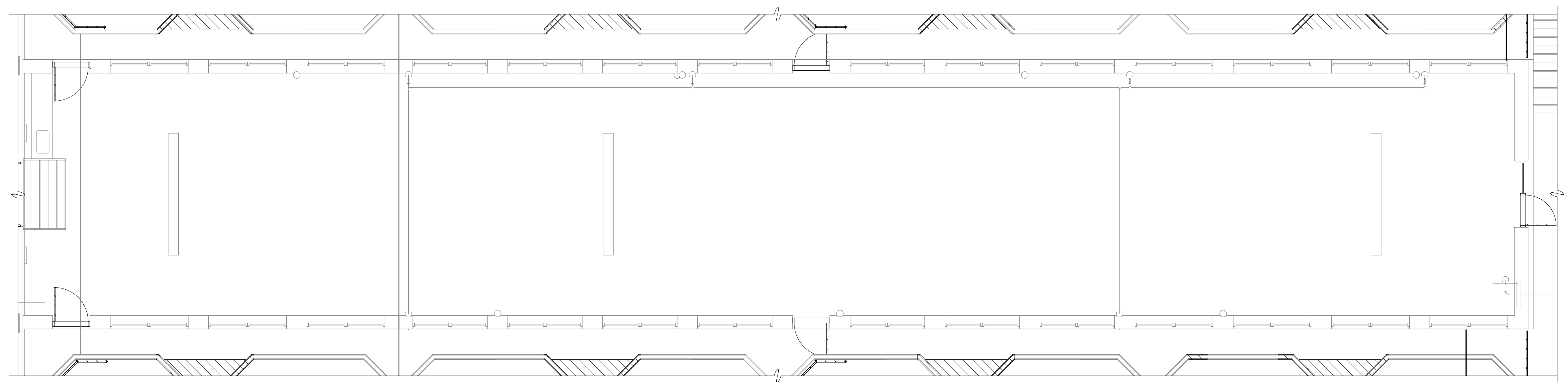
FILTER BUILDING
ELECTRICAL
ENLARGED TOP PLAN - SECOND FLOOR
DEMOLITION

DATE:	NOVEMBER 2024
HAZEN NO.:	60711-003
CONTRACT NO.:	1
DRAWING NUMBER:	E3004

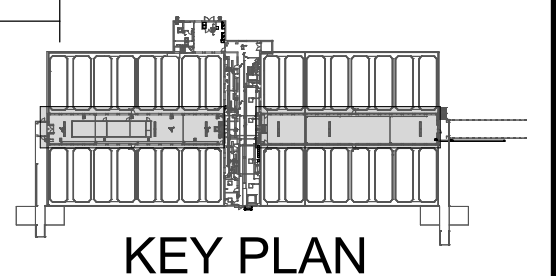
- NOTES:**
1. REMOVE CONDUCTORS, CONDUITS, AND SUPPORTS ASSOCIATED WITH DEMOLISHED ELECTRICAL AND INSTRUMENTATION EQUIPMENT.
 2. REFERENCE OTHER DISCIPLINE DRAWINGS FOR ADDITIONAL DEMOLITION REQUIREMENTS.
 3. INTERCEPT EXISTING CIRCUITS IN CEILING SPACE, INSTALL JBOX, AND EXTEND CIRCUITS TO NEW PANEL LOCATION.
 4. DISCONNECT AND REMOVE ALL EXISTING LIGHT FIXTURES AND SWITCHES ON THIS FLOOR PLAN, EXCEPT IN "EXISTING OFFICE TO REMAIN." REPLACE BASED ON PROPOSED LIGHTING PLAN.



ENLARGED TOP PLAN - SECOND FLOOR WEST DEMOLITION
3/16" = 1'-0"



ENLARGED TOP PLAN - SECOND FLOOR EAST DEMOLITION
3/16" = 1'-0"



GMP SUBMITTAL. DO NOT USE FOR CONSTRUCTION.

Autodesk_Docs\60711-001_Wilson_WTP_Rehab_Filter_Bank\60711-003-3000-FB-3108-FWC-ELEC.rvt 11/18/2024 12:54:57 PM

REV	ISSUED FOR	DATE	BY

PROJECT MANAGER:	T. HUDSON
DESIGNED BY:	S. REXHEPI
DRAWN BY:	S. REXHEPI
PROJECT ENGINEER:	B. BUELTEL
IF THIS BAR DOES NOT MEASURE 1" THEN DRAWING IS NOT TO FULL SCALE	



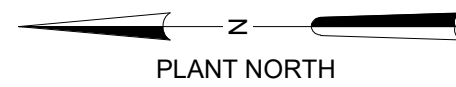
Hazen
HAZEN AND SAWYER
8150 N. CENTRAL EXPRESSWAY
TOWER II - SUITE 700
DALLAS, TEXAS 75206

CENTRAL ARKANSAS WATER
LITTLE ROCK, ARKANSAS

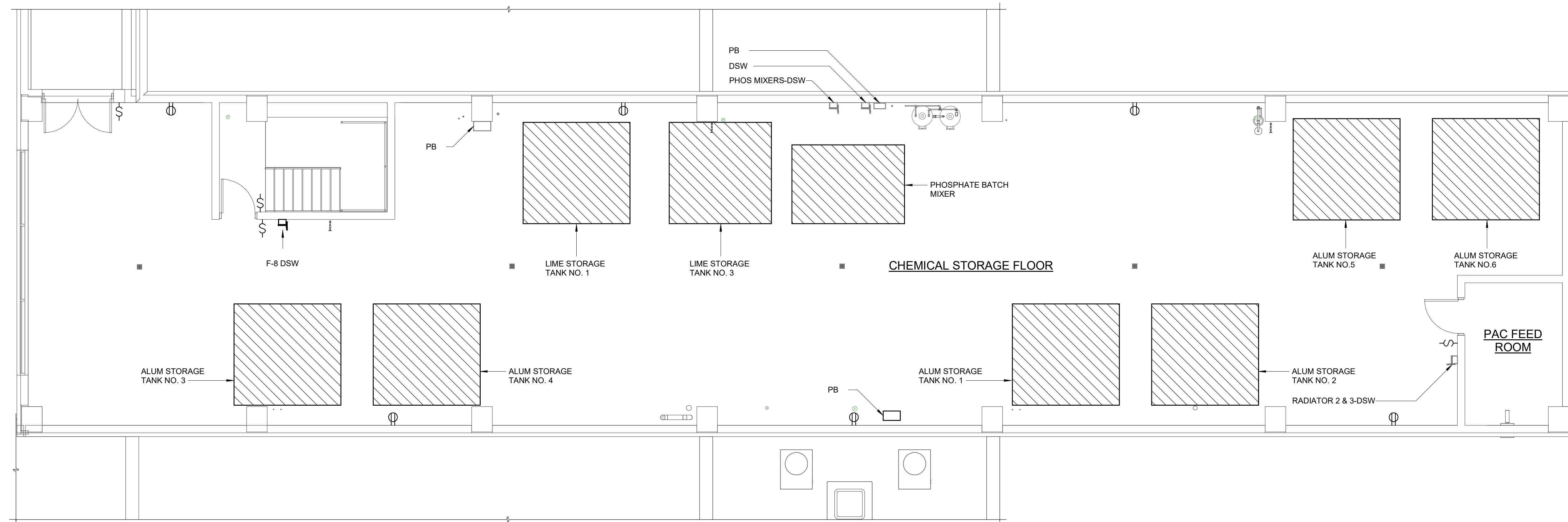
JACK H. WILSON WTP RENEWAL
AND RESILIENCY PROJECT

FILTER BUILDING
ELECTRICAL
ENLARGED TOP PLAN - SECOND FLOOR - WEST
AND EAST DEMOLITION

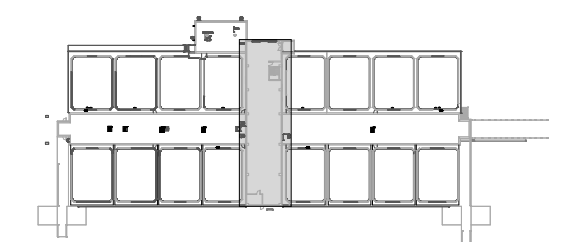
DATE:	NOVEMBER 2024
HAZEN NO.:	60711-003
CONTRACT NO.:	1
DRAWING NUMBER:	E3005



- NOTES:
1. REMOVE CONDUCTORS, CONDUITS, AND SUPPORTS ASSOCIATED WITH DEMOLISHED ELECTRICAL AND INSTRUMENTATION EQUIPMENT.
 2. REFERENCE OTHER DISCIPLINE DRAWINGS FOR ADDITIONAL DEMOLITION REQUIREMENTS.



ENLARGED TOP PLAN - THIRD FLOOR DEMOLITION
3/16" = 1'-0"



KEY PLAN

GMP SUBMITTAL. DO NOT USE FOR CONSTRUCTION.

Autodesk_DocSet/60711-003_Wilson_WTP_Rehab_Filter_Base/60711-003-3000-FB-3108-FWC-ELEC.rvt 11/19/2024 12:54:58 PM

REV	ISSUED FOR	DATE	BY

PROJECT MANAGER:	T. HUDSON
DESIGNED BY:	S. REXHEPI
DRAWN BY:	S. REXHEPI
PROJECT ENGINEER:	B. BUELTEL
IF THIS BAR DOES NOT MEASURE 1" THEN DRAWING IS NOT TO FULL SCALE	0 1/2" 1"



Hazen
HAZEN AND SAWYER
8150 N. CENTRAL EXPRESSWAY
TOWER II - SUITE 700
DALLAS, TEXAS 75206

CENTRAL ARKANSAS WATER
LITTLE ROCK, ARKANSAS

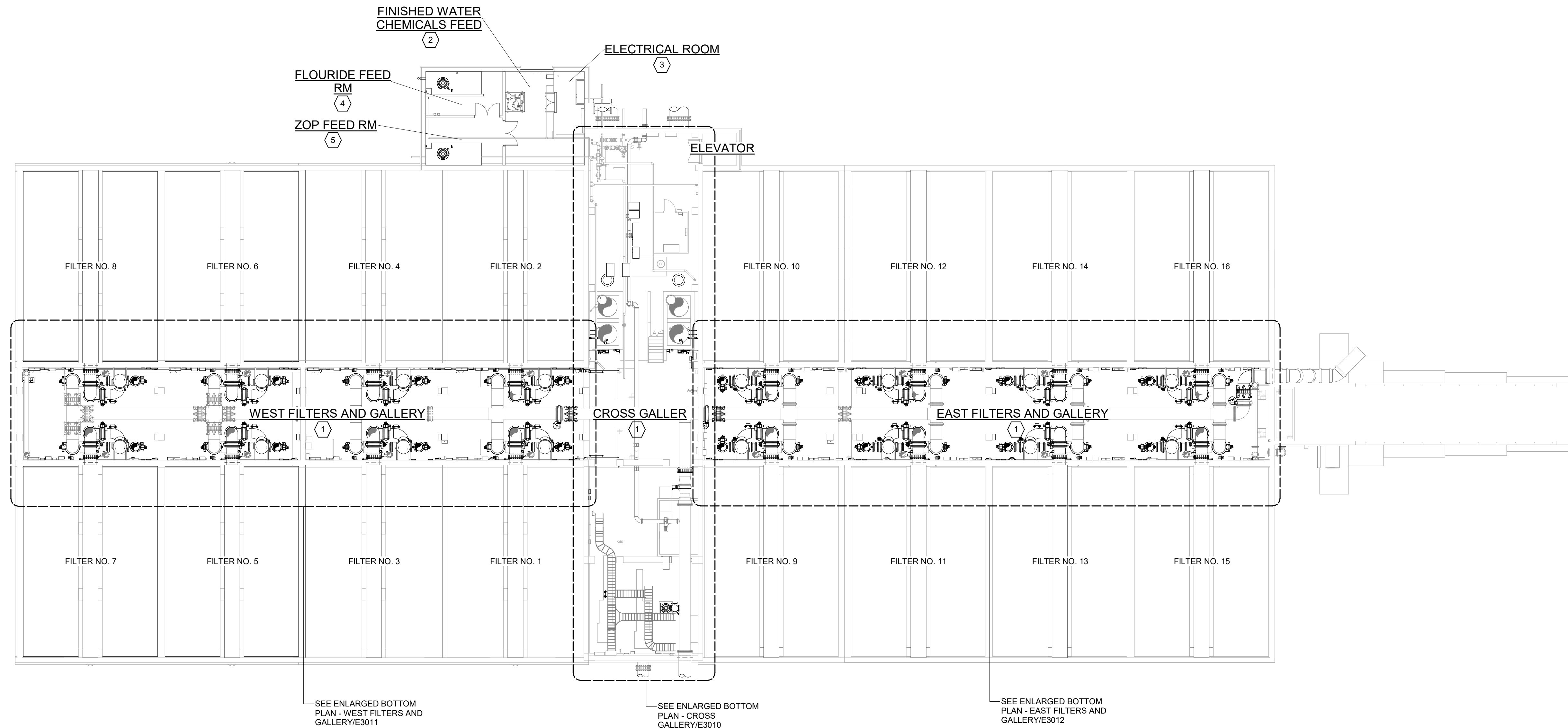
JACK H. WILSON WTP RENEWAL
AND RESILIENCY PROJECT

FILTER BUILDING
ELECTRICAL
ENLARGED TOP PLAN - THIRD FLOOR DEMOLITION

DATE:	NOVEMBER 2024
HAZEN NO.:	60711-003
CONTRACT NO.:	1
DRAWING NUMBER:	E3006



- AREA DESIGNATIONS:
- 1 INDOOR WET PROCESS AREA
 - 2 INDOOR DRY PROCESS AREA
 - 3 INDOOR DRY NON-PROCESS AREA
 - 4 TYPE 1 CHEMICAL STORAGE/TRANSFER AREA
 - 5 TYPE 2 CHEMICAL STORAGE/TRANSFER AREA



SEE ENLARGED BOTTOM PLAN - WEST FILTERS AND GALLERY/E3011

SEE ENLARGED BOTTOM PLAN - CROSS GALLERY/E3010

SEE ENLARGED BOTTOM PLAN - EAST FILTERS AND GALLERY/E3012

OVERALL BOTTOM PLAN
1/16" = 1'-0"

GMP SUBMITTAL. DO NOT USE FOR CONSTRUCTION.

Autodesk_Docs\60711-001_Wilson_WTP_Renewal_Filter_Build\60711-001-3000-FB3108-FWC-ELEC.rvt 11/19/2024 12:55:01 PM

REV	ISSUED FOR	DATE	BY

PROJECT MANAGER:	T. HUDSON
DESIGNED BY:	S. REXHEPI
DRAWN BY:	S. REXHEPI
PROJECT ENGINEER:	B. BUELTEL
IF THIS BAR DOES NOT MEASURE 1" THEN DRAWING IS NOT TO FULL SCALE	0 1/2" 1"



Hazen
HAZEN AND SAWYER
8150 N. CENTRAL EXPRESSWAY
TOWER II - SUITE 700
DALLAS, TEXAS 75206

CENTRAL ARKANSAS WATER
LITTLE ROCK, ARKANSAS

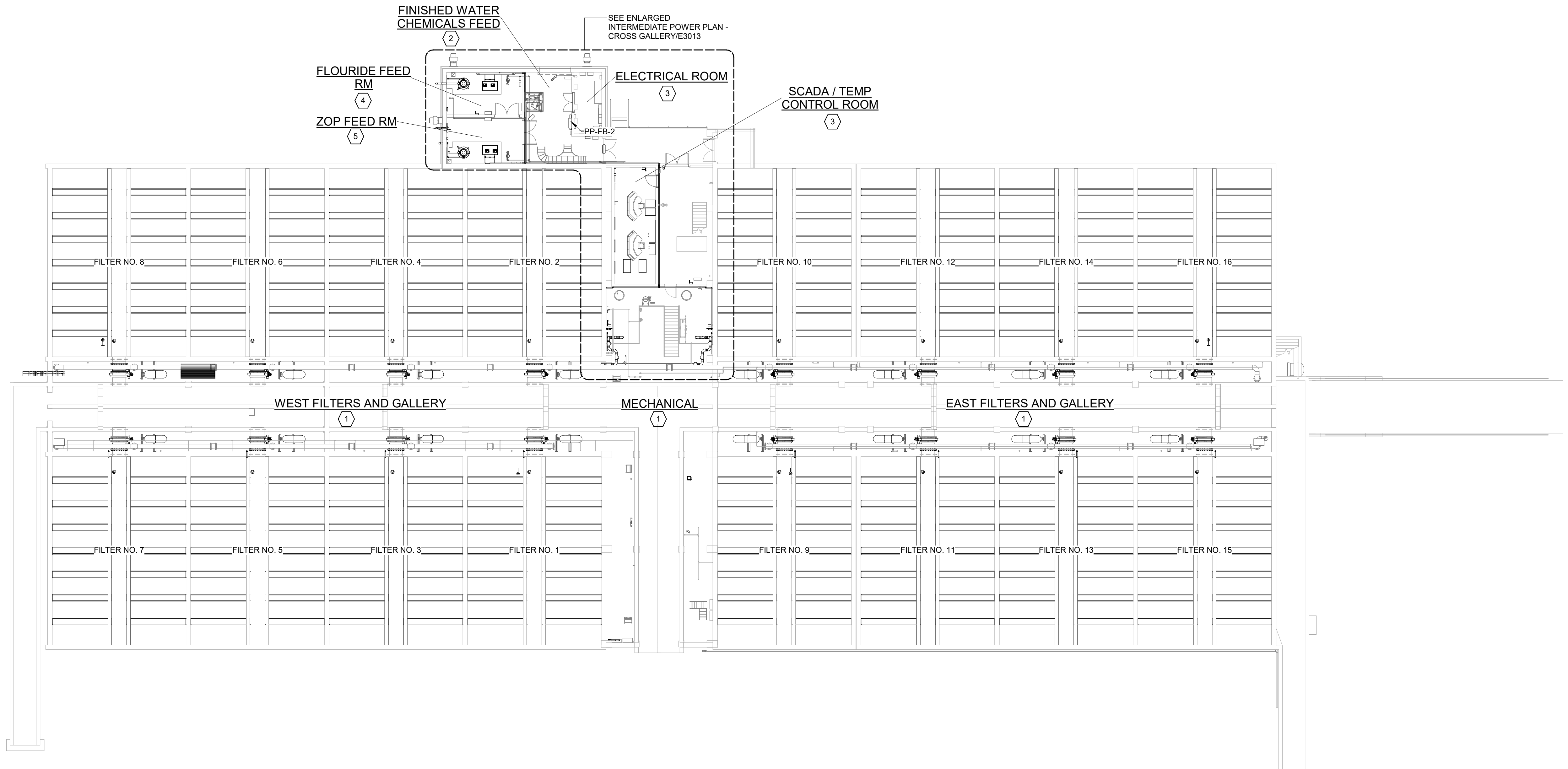
JACK H. WILSON WTP RENEWAL
AND RESILIENCY PROJECT

FILTER BUILDING
ELECTRICAL
OVERALL BOTTOM PLAN

DATE:	NOVEMBER 2024
HAZEN NO.:	60711-003
CONTRACT NO.:	1
DRAWING NUMBER:	E3007



- AREA DESIGNATIONS:
- ① INDOOR WET PROCESS AREA
 - ② INDOOR DRY PROCESS AREA
 - ③ INDOOR DRY NON-PROCESS AREA
 - ④ TYPE 1 CHEMICAL STORAGE/TRANSFER AREA
 - ⑤ TYPE 2 CHEMICAL STORAGE/TRANSFER AREA



OVERALL INTERMEDIATE PLAN
1/16" = 1'-0"

GMP SUBMITTAL. DO NOT USE FOR CONSTRUCTION.

Autodesk_Docs\60711-001_Wilson_WTP_Rehab_Filter_Build\60711-003-3000-FB3108-FWC-ELEC.rvt 11/18/2024 12:55:02 PM

PROJECT MANAGER:	T. HUDSON		
DESIGNED BY:	S. REXHEPI		
DRAWN BY:	S. REXHEPI		
PROJECT ENGINEER:	B. BUELTEL		
IF THIS BAR DOES NOT MEASURE 1" THEN DRAWING IS NOT TO FULL SCALE	0 1/2" 1"		
REV	ISSUED FOR	DATE	BY



Hazen
HAZEN AND SAWYER
8150 N. CENTRAL EXPRESSWAY
TOWER II - SUITE 700
DALLAS, TEXAS 75206

CENTRAL ARKANSAS WATER
LITTLE ROCK, ARKANSAS

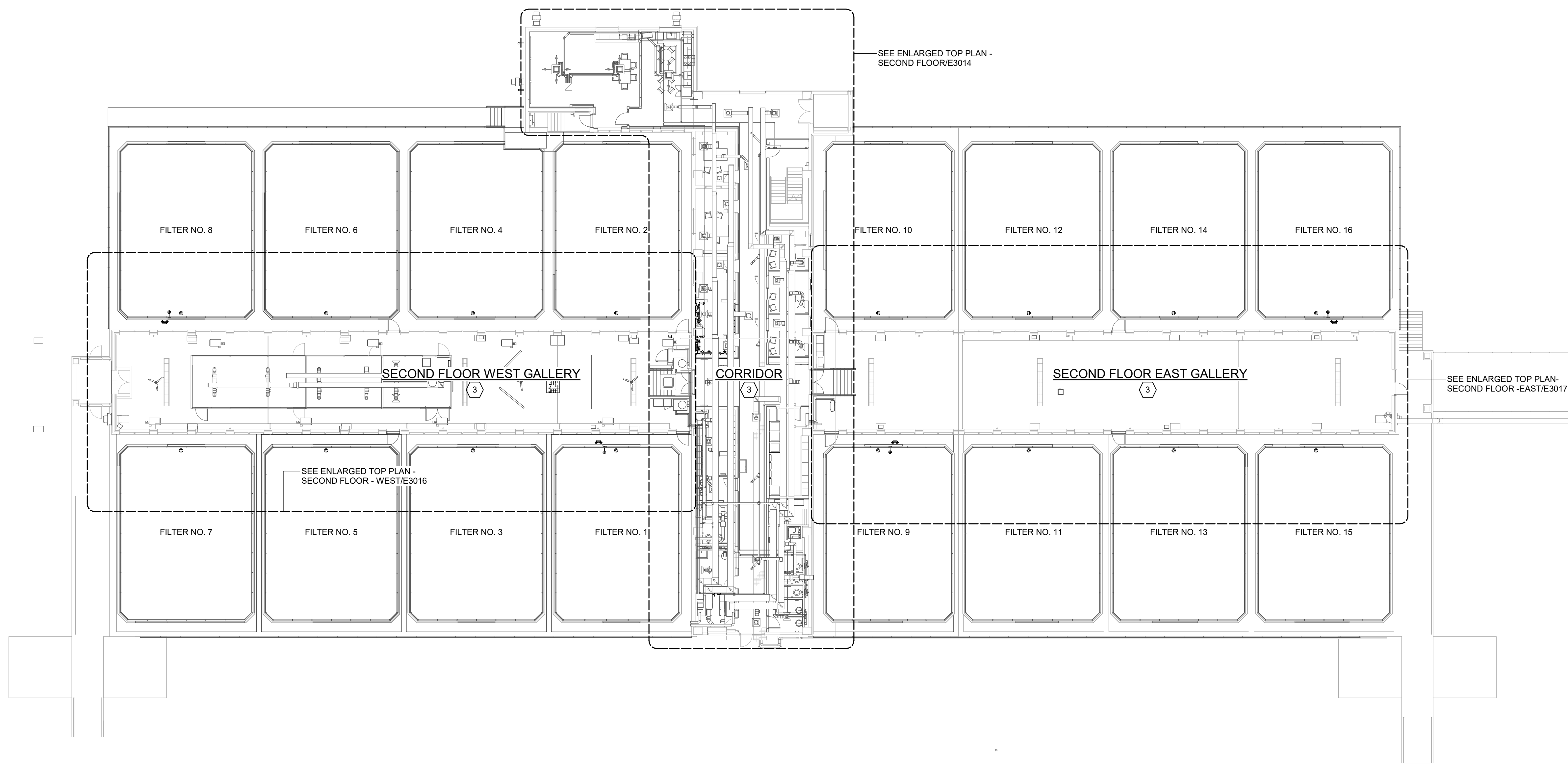
JACK H. WILSON WTP RENEWAL
AND RESILIENCY PROJECT

FILTER BUILDING
ELECTRICAL
OVERALL INTERMEDIATE PLAN

DATE:	NOVEMBER 2024
HAZEN NO.:	60711-003
CONTRACT NO.:	1
DRAWING NUMBER:	E3008



- AREA DESIGNATIONS:
- 1 INDOOR WET PROCESS AREA
 - 2 INDOOR DRY PROCESS AREA
 - 3 INDOOR DRY NON-PROCESS AREA
 - 4 TYPE 1 CHEMICAL STORAGE/TRANSFER AREA
 - 5 TYPE 2 CHEMICAL STORAGE/TRANSFER AREA



OVERALL TOP PLAN - SECOND FLOOR
1/16" = 1'-0"

GMP SUBMITTAL. DO NOT USE FOR CONSTRUCTION.

Autodesk_Docs\60711-001_Wilson_WTP_Renewal_Filter_Building\60711-003-3000-FB3108-FWC-ELEC.rvt 11/19/2024 12:55:04 PM

REV	ISSUED FOR	DATE	BY

PROJECT MANAGER:	T. HUDSON
DESIGNED BY:	S. REXHEPI
DRAWN BY:	S. REXHEPI
PROJECT ENGINEER:	B. BUELTEL
IF THIS BAR DOES NOT MEASURE 1" THEN DRAWING IS NOT TO FULL SCALE	



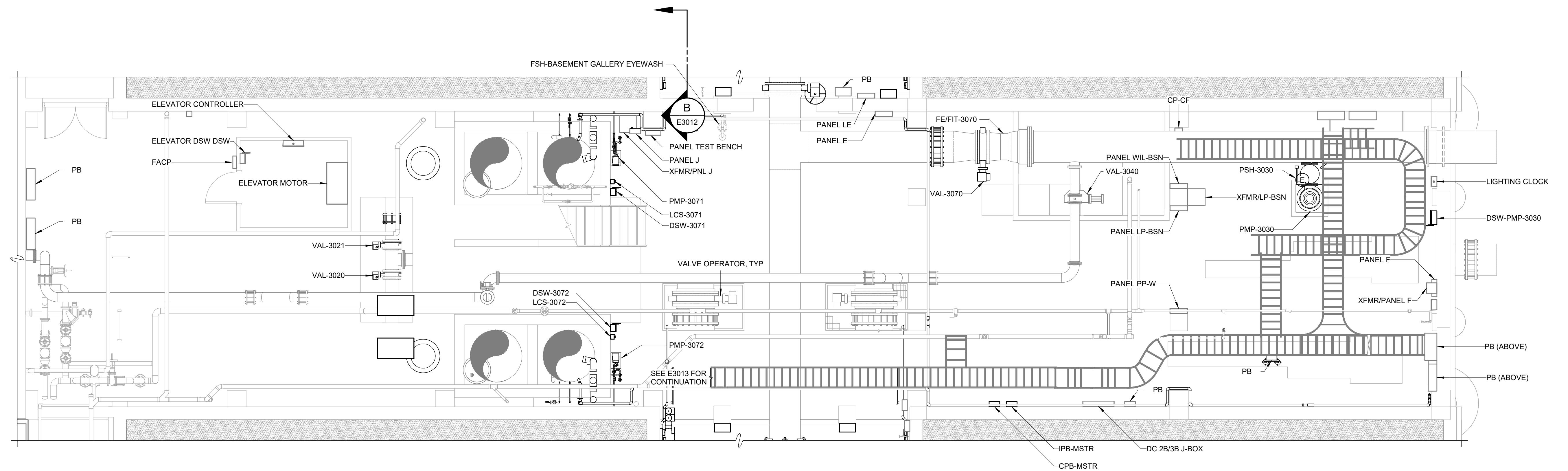
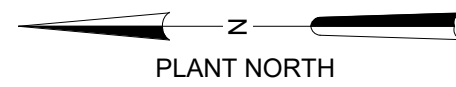
Hazen
HAZEN AND SAWYER
8150 N. CENTRAL EXPRESSWAY
TOWER II - SUITE 700
DALLAS, TEXAS 75206

CENTRAL ARKANSAS WATER
LITTLE ROCK, ARKANSAS

JACK H. WILSON WTP RENEWAL
AND RESILIENCY PROJECT

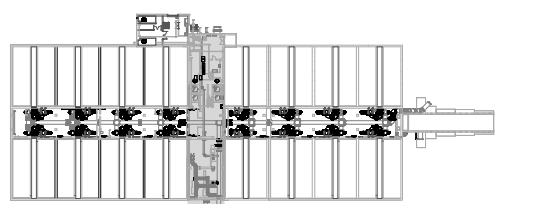
FILTER BUILDING
ELECTRICAL
OVERALL TOP PLAN - SECOND FLOOR

DATE:	NOVEMBER 2024
HAZEN NO.:	60711-003
CONTRACT NO.:	1
DRAWING NUMBER:	E3009



ENLARGED BOTTOM PLAN - CROSS GALLERY

3/16" = 1'-0"



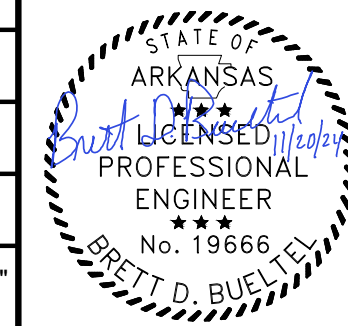
KEY PLAN

GMP SUBMITTAL. DO NOT USE FOR CONSTRUCTION.

Autodesk_Docs/60711-001_Wilson_WTP_Rehab_Elec_Basem/60711-003-3000-FB3108-FWC-ELEC.rvt 11/20/2024 12:55:08 PM

REV	ISSUED FOR	DATE	BY

PROJECT MANAGER:	T. HUDSON
DESIGNED BY:	S. REXHEPI
DRAWN BY:	S. REXHEPI
PROJECT ENGINEER:	B. BUELTEL
IF THIS BAR DOES NOT MEASURE 1" THEN DRAWING IS NOT TO FULL SCALE	



Hazen
HAZEN AND SAWYER
8150 N. CENTRAL EXPRESSWAY
TOWER II - SUITE 700
DALLAS, TEXAS 75206

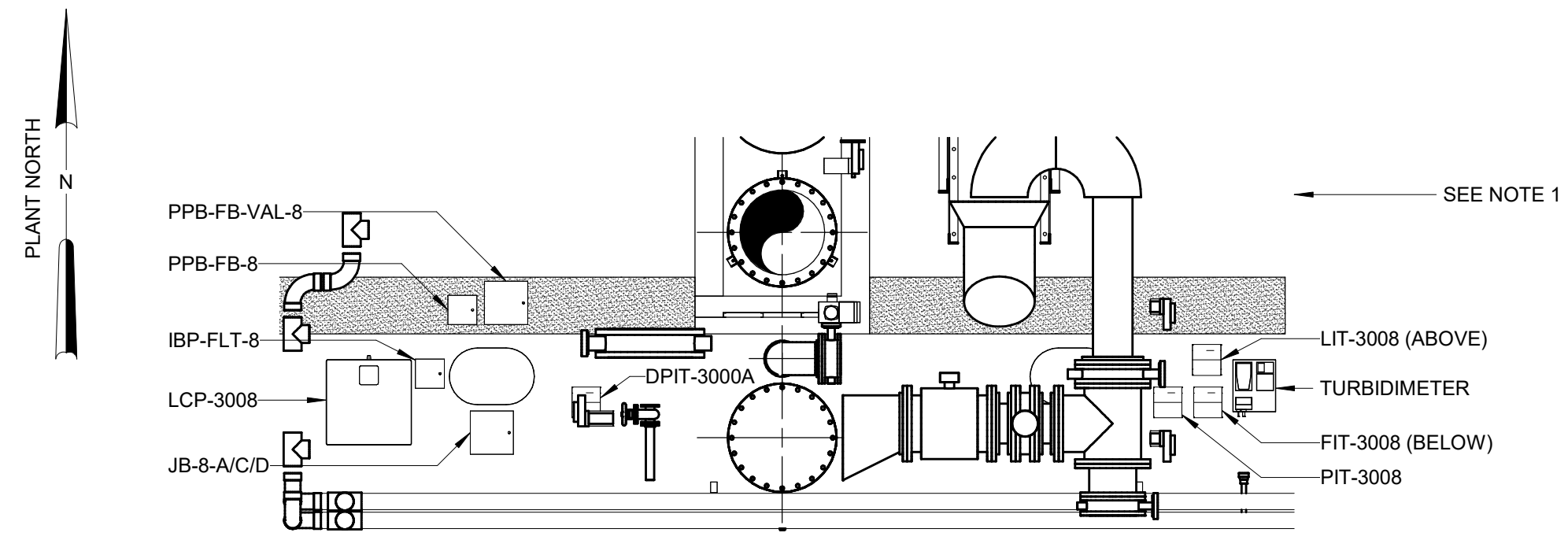
CENTRAL ARKANSAS WATER
LITTLE ROCK, ARKANSAS

JACK H. WILSON WTP RENEWAL
AND RESILIENCY PROJECT

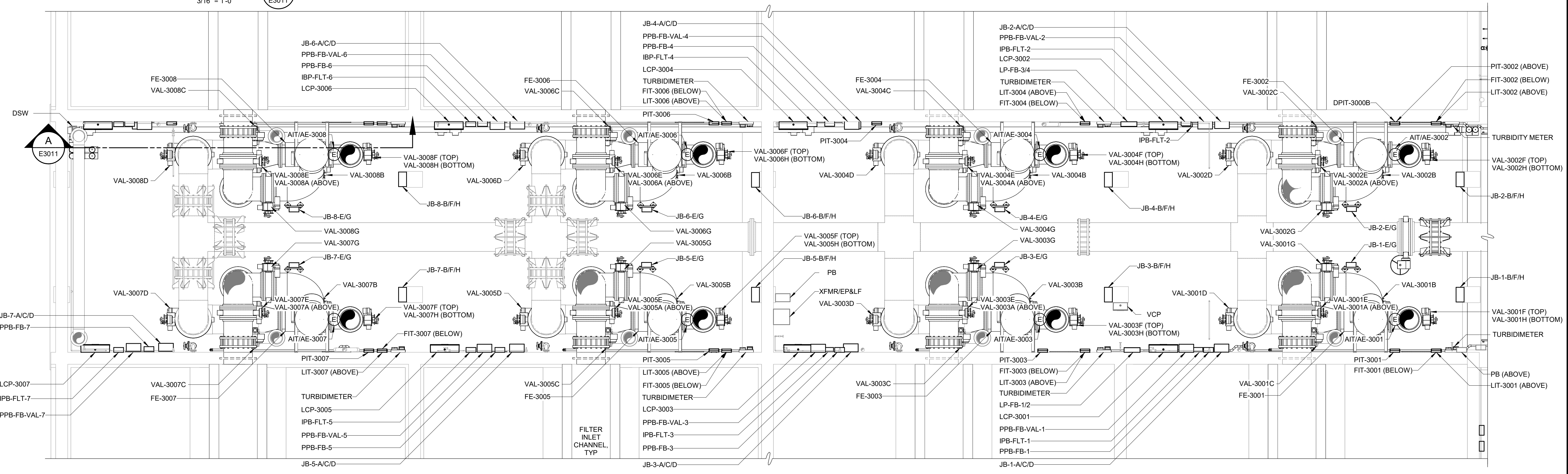
FILTER BUILDING
ELECTRICAL
ENLARGED BOTTOM PLAN - CROSS GALLERY

DATE:	NOVEMBER 2024
HAZEN NO.:	60711-003
CONTRACT NO.:	1
DRAWING NUMBER:	E3010

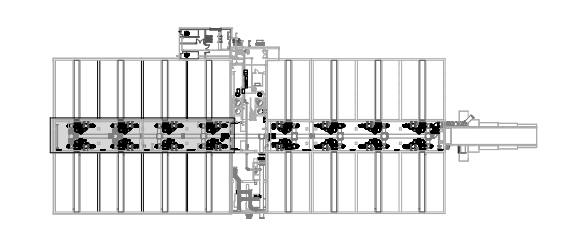
NOTES:
 1. EQUIPMENT LOCATION IS TYPICAL FOR ALL 16 FILTERS.
 REFERENCE CONTROL BLOCK DIAGRAMS FOR
 CONNECTIONS.



SECTION A
 3/16" = 1'-0"



ENLARGED BOTTOM PLAN - WEST FILTERS AND GALLERY
 3/16" = 1'-0"



KEY PLAN

GMP SUBMITTAL. DO NOT USE FOR CONSTRUCTION.

Autodesk Docs/60711-001_Wilson_WTP_Rehab_File_Base/60711-003-3000-FB3108-FWC-ELEC.rvt
 11/20/2024 12:55:52 PM

PROJECT MANAGER:	T. HUDSON
DESIGNED BY:	S. REXHEPI
DRAWN BY:	S. REXHEPI
PROJECT ENGINEER:	B. BUELTEL
IF THIS BAR DOES NOT MEASURE 1" THEN DRAWING IS NOT TO FULL SCALE	



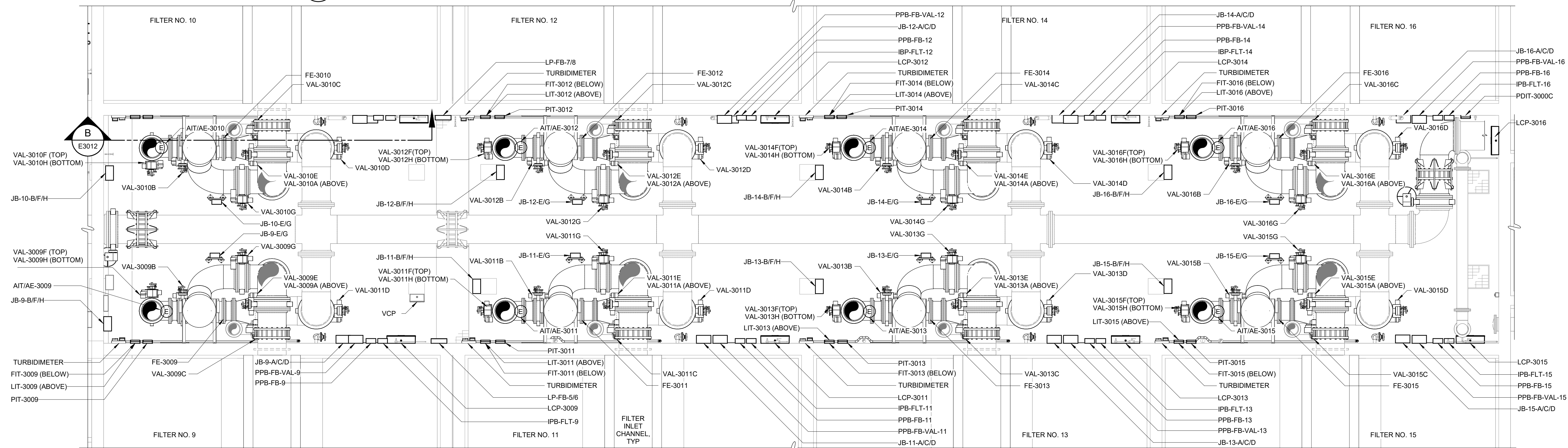
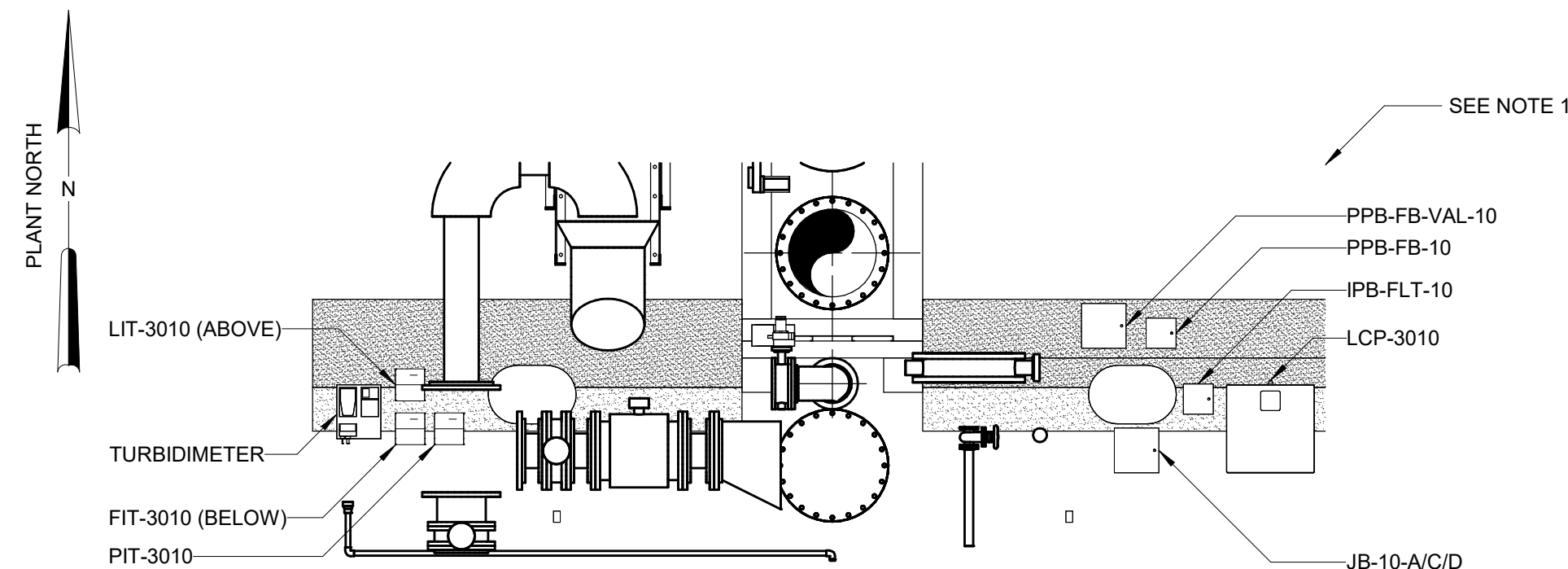
Hazen
 HAZEN AND SAWYER
 8150 N. CENTRAL EXPRESSWAY
 TOWER II - SUITE 700
 DALLAS, TEXAS 75206

CENTRAL ARKANSAS WATER
 LITTLE ROCK, ARKANSAS
 JACK H. WILSON WTP RENEWAL
 AND RESILIENCY PROJECT

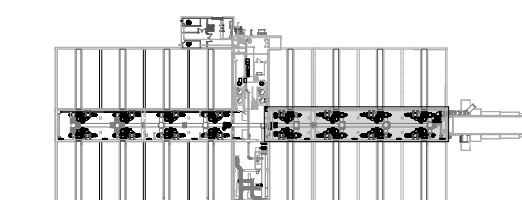
FILTER BUILDING
 ELECTRICAL
 ENLARGED BOTTOM PLAN - WEST FILTERS AND
 GALLERY

DATE:	NOVEMBER 2024
HAZEN NO.:	60711-003
CONTRACT NO.:	1
DRAWING NUMBER:	E3011

NOTES:
 1. EQUIPMENT LOCATION IS TYPICAL FOR ALL 16 FILTERS.
 REFERENCE CONTROL BLOCK DIAGRAMS FOR CONNECTIONS.



ENLARGED BOTTOM PLAN - EAST FILTERS AND GALLERY
 3/16" = 1'-0"



KEY PLAN

GMP SUBMITTAL. DO NOT USE FOR CONSTRUCTION.

Autodesk_Docs\60711-001_Wilson_WTP_Rehab_File_Base\60711-000-3000-FB310B-FWC-ELEC.rvt 11/19/2024 12:55:59 PM

PROJECT MANAGER:	T. HUDSON		
DESIGNED BY:	S. REXHEPI		
DRAWN BY:	S. REXHEPI		
PROJECT ENGINEER:	B. BUELTEL		
IF THIS BAR DOES NOT MEASURE 1" THEN DRAWING IS NOT TO FULL SCALE	0 1/2" 1"		
REV	ISSUED FOR	DATE	BY

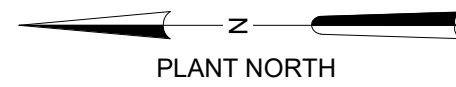


Hazen
 HAZEN AND SAWYER
 8150 N. CENTRAL EXPRESSWAY
 TOWER II - SUITE 700
 DALLAS, TEXAS 75206

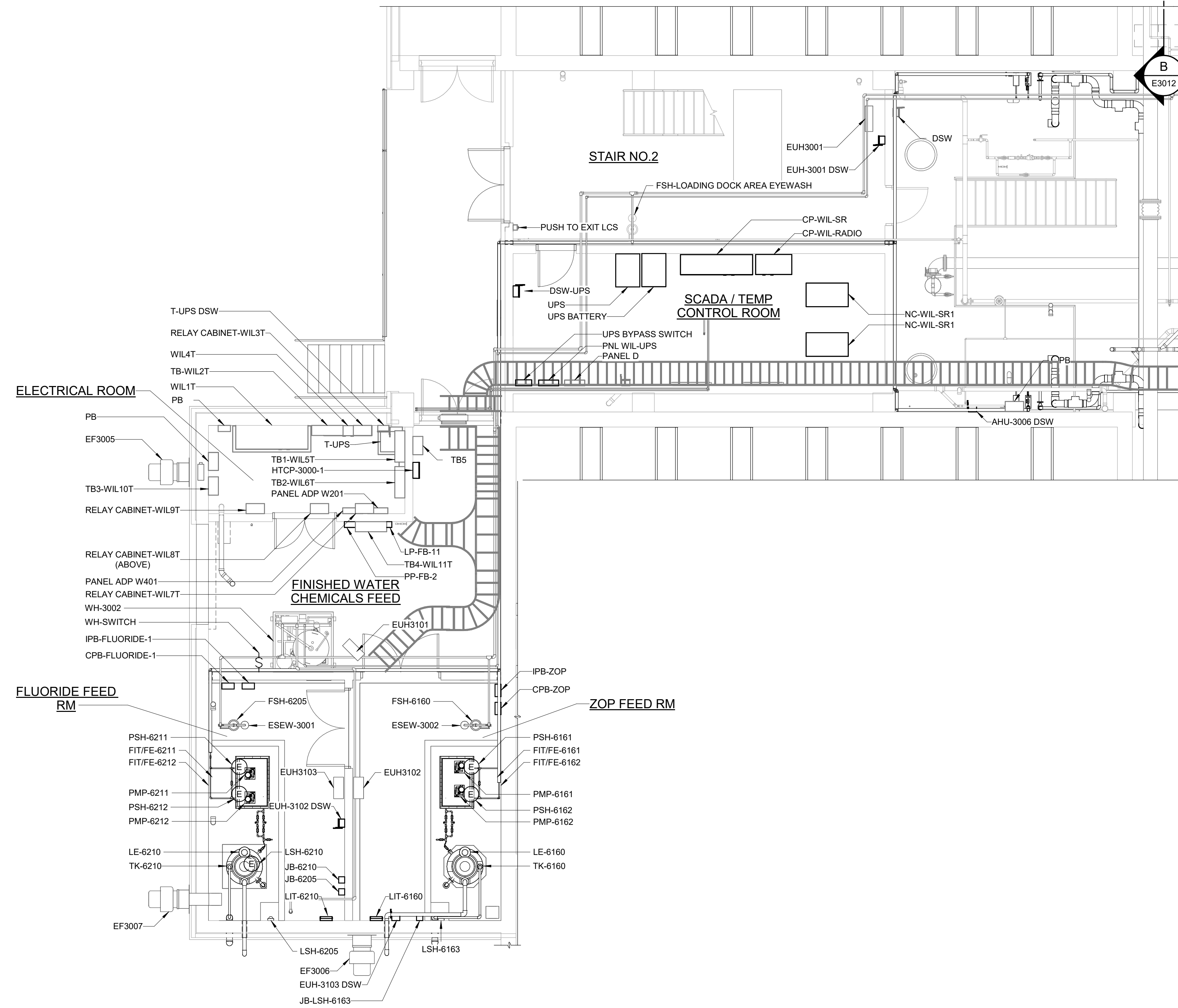
CENTRAL ARKANSAS WATER
 LITTLE ROCK, ARKANSAS
 JACK H. WILSON WTP RENEWAL
 AND RESILIENCY PROJECT

FILTER BUILDING
 ELECTRICAL
 ENLARGED BOTTOM PLAN - EAST FILTERS AND
 GALLERY

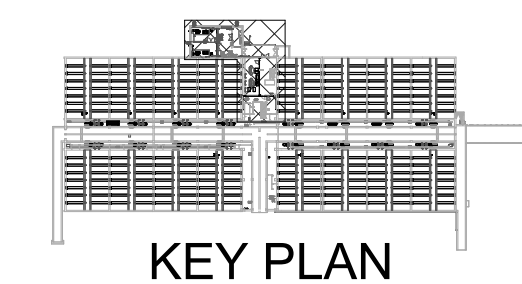
DATE:	NOVEMBER 2024
HAZEN NO.:	60711-003
CONTRACT NO.:	1
DRAWING NUMBER:	E3012



NOTES:
 1. PLAN DRAWING SHOW APPROXIMATE EQUIPMENT AND INSTRUMENTATION LOCATIONS. COORDINATE EXACT LOCATIONS WITH FIELD REQUIREMENTS AND OTHER DISCIPLINES AND APPROVED SHOP DRAWINGS.



ENLARGED INTERMEDIATE POWER PLAN - CROSS GALLERY
 3/16" = 1'-0"

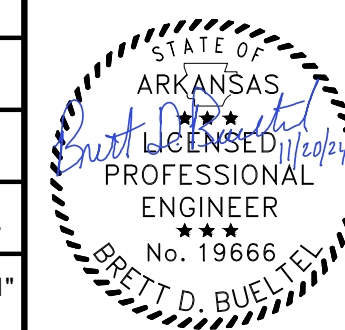


GMP SUBMITTAL. DO NOT USE FOR CONSTRUCTION.

Autodesk_Docs\60711-001_Wilson_WTP_Rehab_Filter_Base\60711-003-3000-FB3108-FWC-ELEC.rvt 11/18/2024 12:55:20 PM

REV	ISSUED FOR	DATE	BY

PROJECT MANAGER:	T. HUDSON
DESIGNED BY:	S. REXHEPI
DRAWN BY:	S. REXHEPI
PROJECT ENGINEER:	B. BUELTEL
IF THIS BAR DOES NOT MEASURE 1" THEN DRAWING IS NOT TO FULL SCALE	



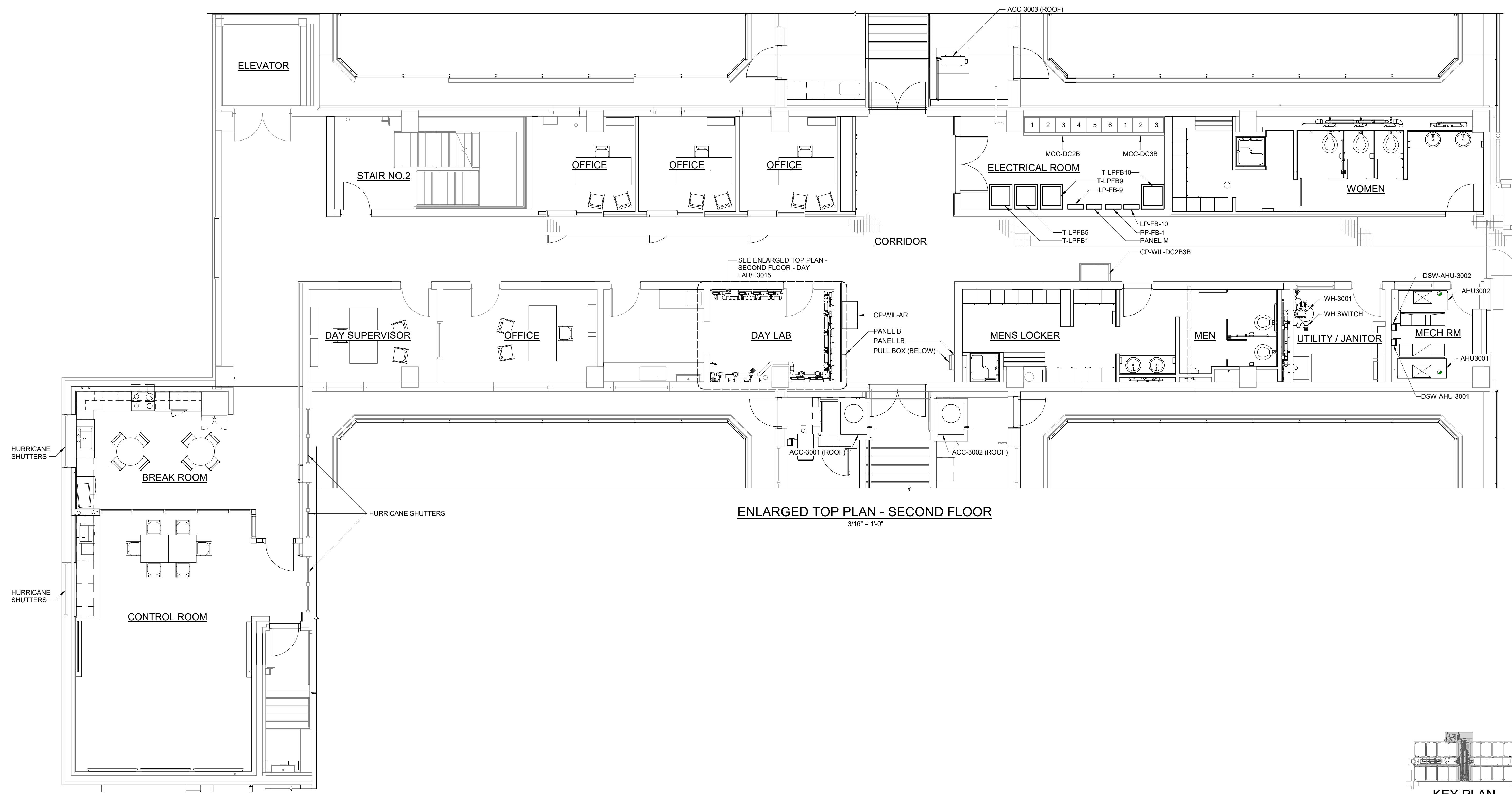
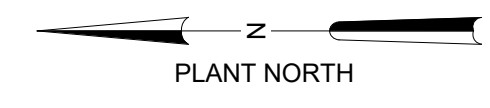
Hazen
 HAZEN AND SAWYER
 8150 N. CENTRAL EXPRESSWAY
 TOWER II - SUITE 700
 DALLAS, TEXAS 75206

CENTRAL ARKANSAS WATER
 LITTLE ROCK, ARKANSAS
 JACK H. WILSON WTP RENEWAL
 AND RESILIENCY PROJECT

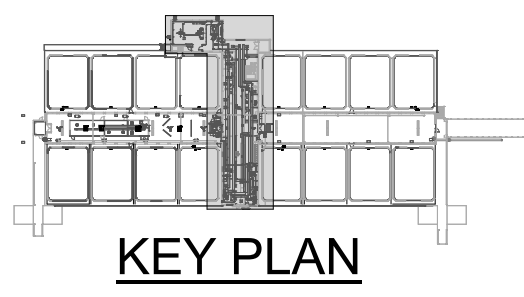
FILTER BUILDING
 ELECTRICAL
 ENLARGED INTERMEDIATE POWER PLAN - CROSS
 GALLERY

DATE:	NOVEMBER 2024
HAZEN NO.:	60711-003
CONTRACT NO.:	1
DRAWING NUMBER:	E3013

NOTES:
 1. PLAN DRAWING SHOW APPROXIMATE EQUIPMENT AND INSTRUMENTATION LOCATIONS. COORDINATE EXACT LOCATIONS WITH FIELD REQUIREMENTS AND OTHER DISCIPLINES AND APPROVED SHOP DRAWINGS.



ENLARGED TOP PLAN - SECOND FLOOR
 3/16" = 1'-0"



KEY PLAN

GMP SUBMITTAL. DO NOT USE FOR CONSTRUCTION.

Autodesk Docs/60711-001_Wilson_WTP_Rehab_Filt_Basht60711-000-3000-FB3108-FWC-ELEC.rvt
 11/19/2024 12:55:25 PM

PROJECT MANAGER:	T. HUDSON		
DESIGNED BY:	S. REXHEPI		
DRAWN BY:	S. REXHEPI		
PROJECT ENGINEER:	B. BUELTEL		
IF THIS BAR DOES NOT MEASURE 1" THEN DRAWING IS NOT TO FULL SCALE			
REV	ISSUED FOR	DATE	BY



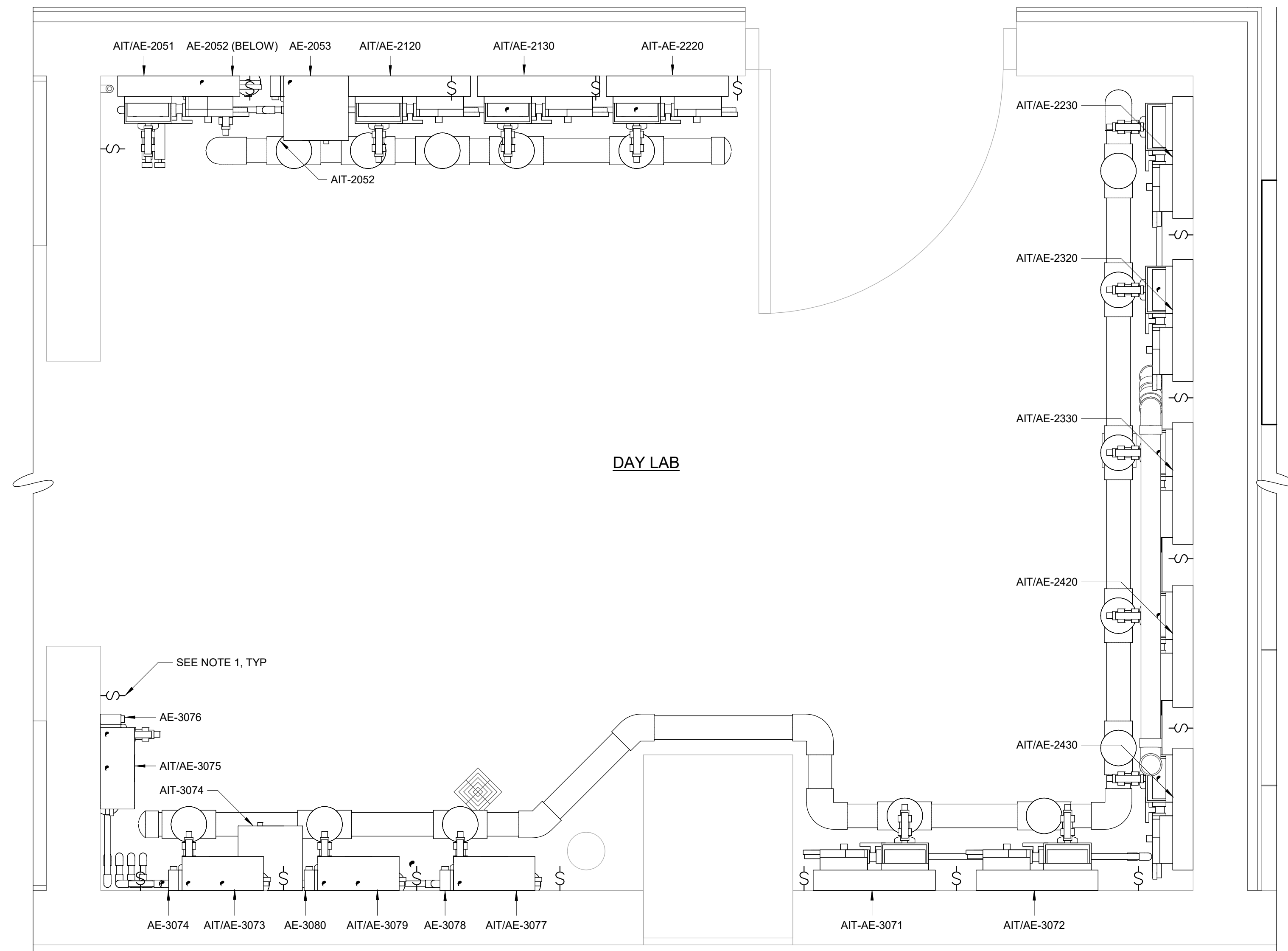
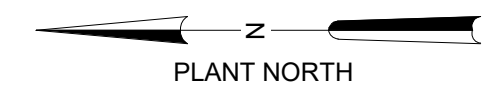
Hazen
 HAZEN AND SAWYER
 8150 N. CENTRAL EXPRESSWAY
 TOWER II - SUITE 700
 DALLAS, TEXAS 75206

CENTRAL ARKANSAS WATER
 LITTLE ROCK, ARKANSAS
 JACK H. WILSON WTP RENEWAL
 AND RESILIENCY PROJECT

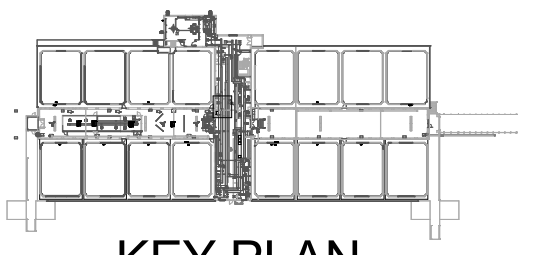
FILTER BUILDING
 ELECTRICAL
 ENLARGED TOP PLAN - SECOND FLOOR

DATE:	NOVEMBER 2024
HAZEN NO.:	60711-003
CONTRACT NO.:	1
DRAWING NUMBER:	E3014

NOTES:
 1. MOUNT NSSC SERIES MANUAL STARTING SWITCH IN LINE WITH ELECTRICAL CONDUIT.



ENLARGED TOP PLAN - SECOND FLOOR - DAY LAB
 1" = 1'-0"



KEY PLAN

GMP SUBMITTAL. DO NOT USE FOR CONSTRUCTION.

Autodesk Docs/60711-003_Wilson_WTP_Rehab_Elec_Base/60711-003-3000-FB3108-FWC-ELEC.rvt
 11/19/2024 12:55:26 PM

REV	ISSUED FOR	DATE	BY

PROJECT MANAGER:	T. HUDSON
DESIGNED BY:	S. REXHEPI
DRAWN BY:	S. REXHEPI
PROJECT ENGINEER:	B. BUELTEL
IF THIS BAR DOES NOT MEASURE 1" THEN DRAWING IS NOT TO FULL SCALE	



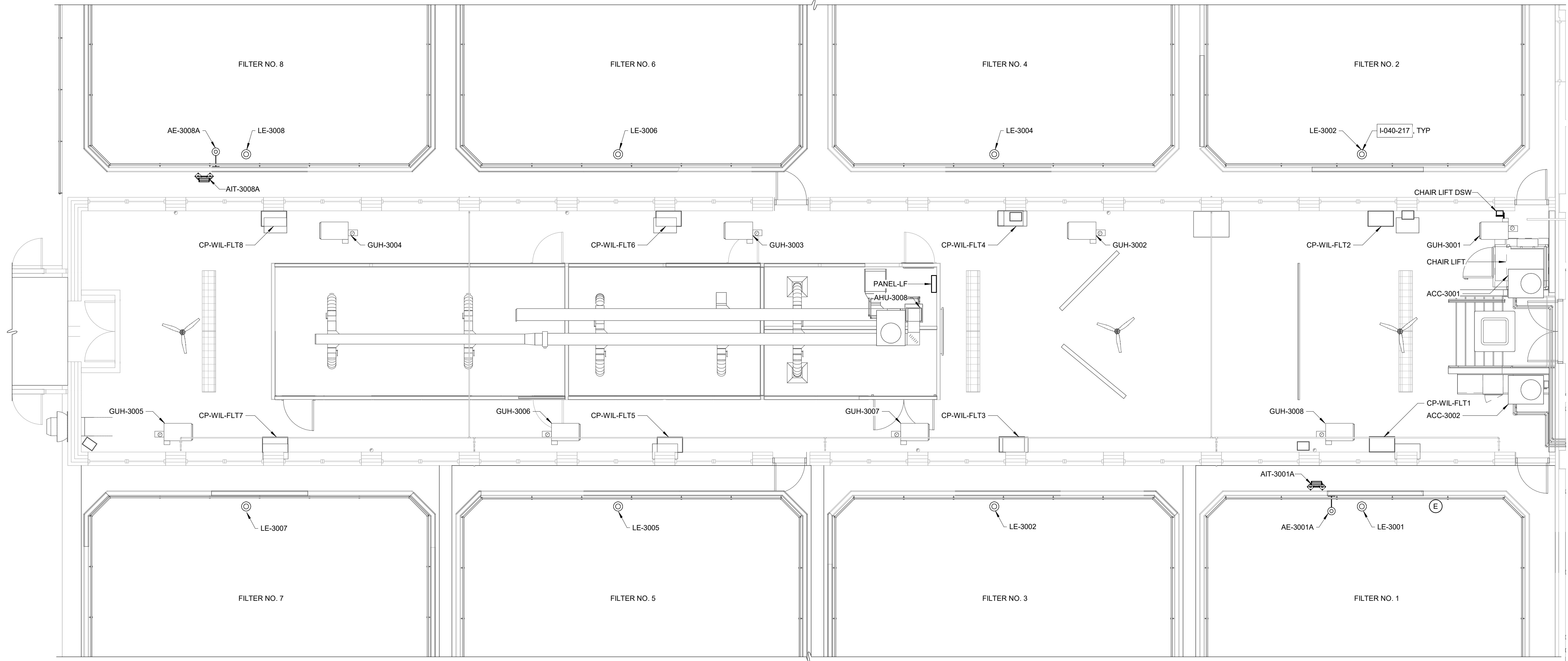
Hazen
 HAZEN AND SAWYER
 8150 N. CENTRAL EXPRESSWAY
 TOWER II - SUITE 700
 DALLAS, TEXAS 75206

CENTRAL ARKANSAS WATER
 LITTLE ROCK, ARKANSAS

JACK H. WILSON WTP RENEWAL
 AND RESILIENCY PROJECT

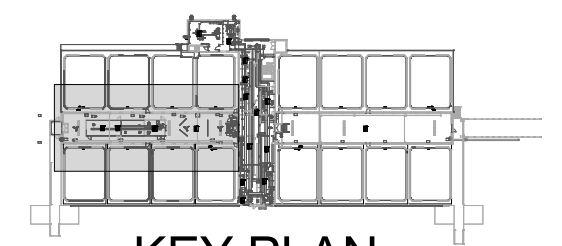
FILTER BUILDING
 ELECTRICAL
 ENLARGED TOP PLAN - SECOND FLOOR - DAY LAB

DATE:	NOVEMBER 2024
HAZEN NO.:	60711-003
CONTRACT NO.:	1
DRAWING NUMBER:	E3015



ENLARGED TOP PLAN - SECOND FLOOR WEST

3/16" = 1'-0"



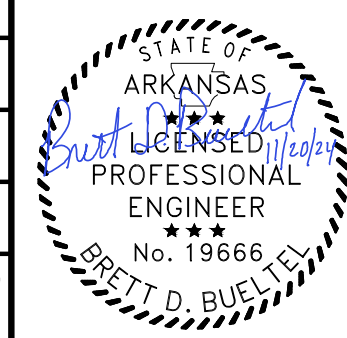
KEY PLAN

GMP SUBMITTAL. DO NOT USE FOR CONSTRUCTION.

Autodesk_Docs\60711-003_Wilson_WTP_Rehab_Filter_Build\60711-003-3000-FB-3108-FWC-ELEC.rvt 11/19/2024 12:55:29 PM

REV	ISSUED FOR	DATE	BY

PROJECT MANAGER:	T. HUDSON
DESIGNED BY:	S. REXHEPI
DRAWN BY:	S. REXHEPI
PROJECT ENGINEER:	B. BUELTEL
IF THIS BAR DOES NOT MEASURE 1" THEN DRAWING IS NOT TO FULL SCALE	



Hazen

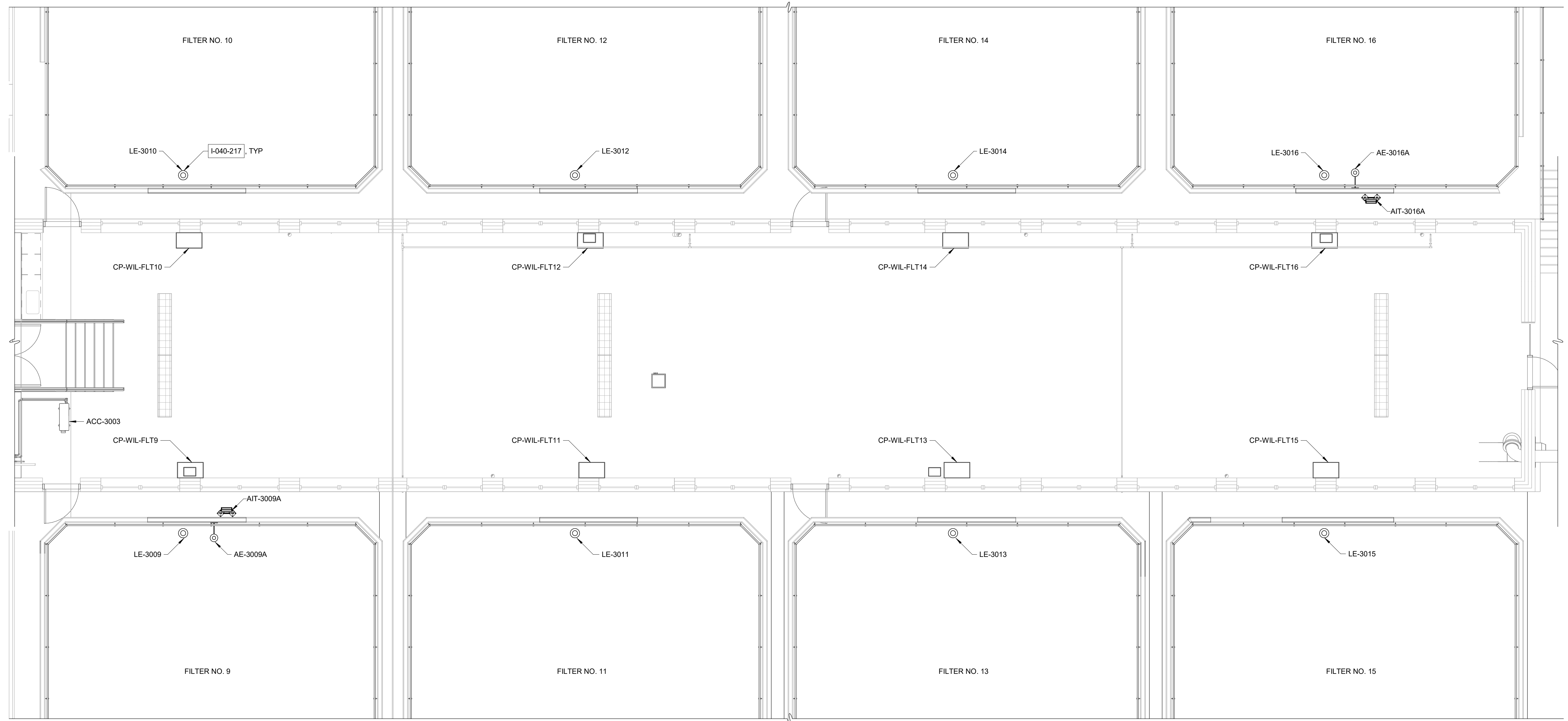
HAZEN AND SAWYER
8150 N. CENTRAL EXPRESSWAY
TOWER II - SUITE 700
DALLAS, TEXAS 75206

CENTRAL ARKANSAS WATER
LITTLE ROCK, ARKANSAS

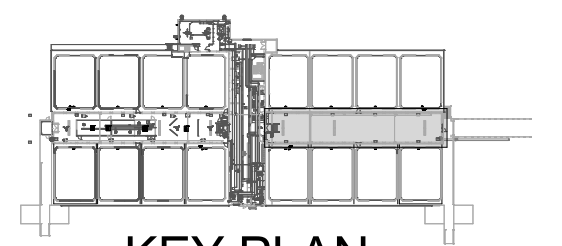
JACK H. WILSON WTP RENEWAL
AND RESILIENCY PROJECT

FILTER BUILDING
ELECTRICAL
ENLARGED TOP PLAN - SECOND FLOOR WEST

DATE:	NOVEMBER 2024
HAZEN NO.:	60711-003
CONTRACT NO.:	1
DRAWING NUMBER:	E3016



ENLARGED TOP PLAN - SECOND FLOOR EAST
3/16" = 1'-0"



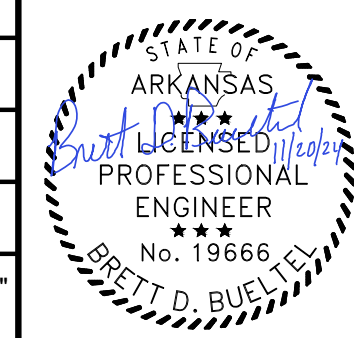
KEY PLAN

GMP SUBMITTAL. DO NOT USE FOR CONSTRUCTION.

Autodesk_Docs\60711-003_Wilson_WTP_Rehab_Filter_Build\60711-003-3000-FB3108-FWC-ELEC.rvt 11/19/2024 12:55:52 PM

REV	ISSUED FOR	DATE	BY

PROJECT MANAGER:	T. HUDSON
DESIGNED BY:	S. REXHEPI
DRAWN BY:	S. REXHEPI
PROJECT ENGINEER:	B. BUELTEL
IF THIS BAR DOES NOT MEASURE 1" THEN DRAWING IS NOT TO FULL SCALE	



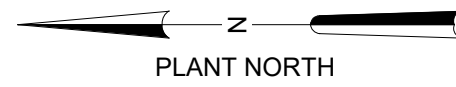
Hazen
HAZEN AND SAWYER
8150 N. CENTRAL EXPRESSWAY
TOWER II - SUITE 700
DALLAS, TEXAS 75206

CENTRAL ARKANSAS WATER
LITTLE ROCK, ARKANSAS

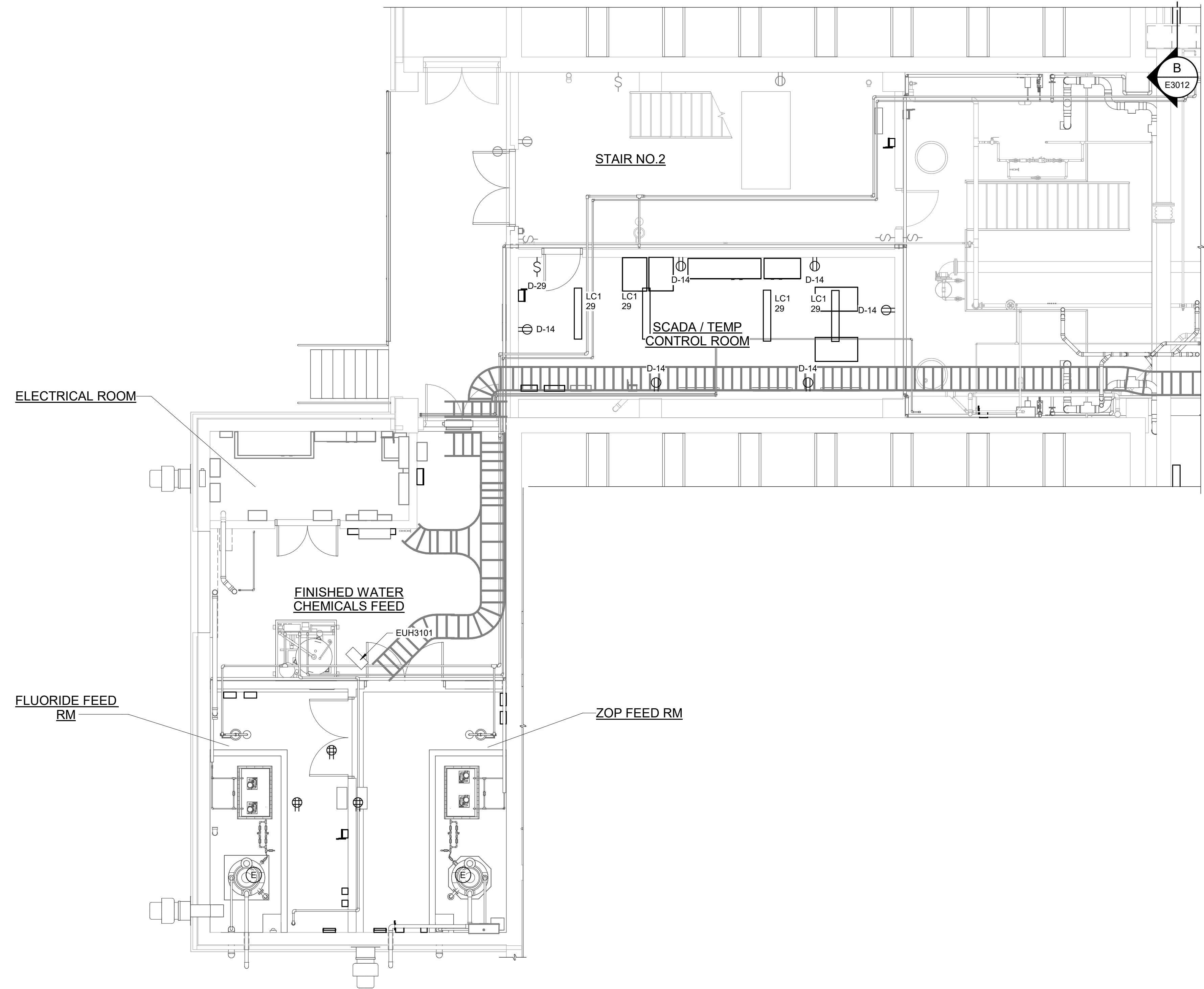
JACK H. WILSON WTP RENEWAL
AND RESILIENCY PROJECT

FILTER BUILDING
ELECTRICAL
ENLARGED TOP PLAN - SECOND FLOOR EAST

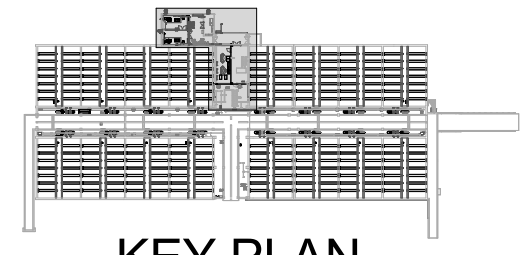
DATE:	NOVEMBER 2024
HAZEN NO.:	60711-003
CONTRACT NO.:	1
DRAWING NUMBER:	E3017



- NOTES:
- INSTALL (1)RJ45 OUTLET WITH SS FACEPLATE IN SURFACE MOUNTED BOX AT 60" AFF. PROVIDE 3/4" CONDUIT WITH (1) CAT6 CABLE FROM OUTLET TO SCADA ROOM.



ENLARGED INTERMEDIATE POWER PLAN - CROSS GALLERY Copy 1
3/16" = 1'-0"



KEY PLAN

GMP SUBMITTAL. DO NOT USE FOR CONSTRUCTION.

Autodesk_Docs\60711-003_Wilson_WTP_Rehab_File_Base\60711-003-3000-FB3108-FWC-ELEC.rvt 11/19/2024 12:55:56 PM

REV	ISSUED FOR	DATE	BY

PROJECT MANAGER:	T. HUDSON
DESIGNED BY:	S. REXHEPI
DRAWN BY:	S. REXHEPI
PROJECT ENGINEER:	B. BUELTEL
IF THIS BAR DOES NOT MEASURE 1" THEN DRAWING IS NOT TO FULL SCALE	



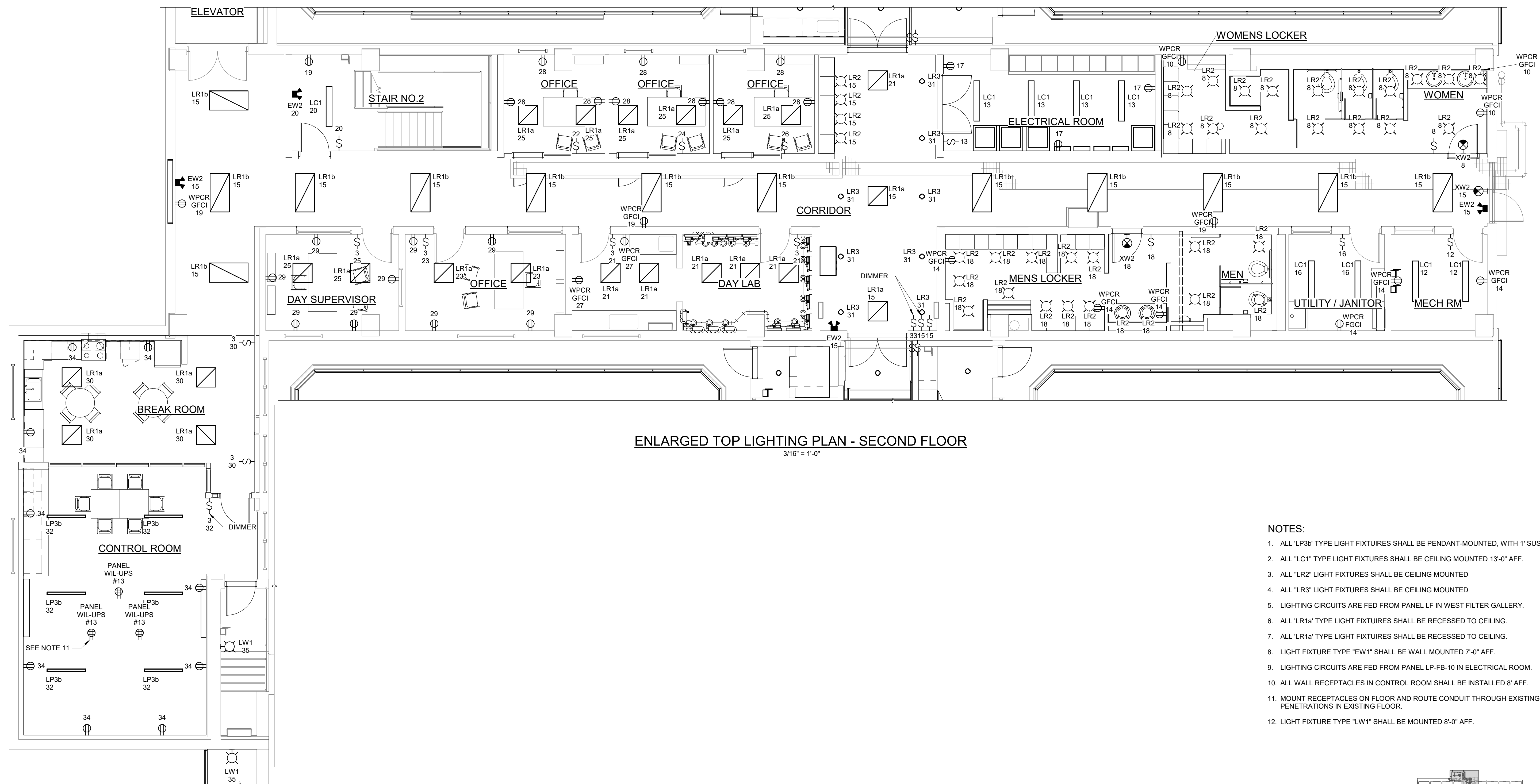
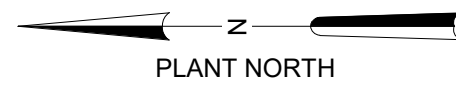
Hazen
HAZEN AND SAWYER
8150 N. CENTRAL EXPRESSWAY
TOWER II - SUITE 700
DALLAS, TEXAS 75206

CENTRAL ARKANSAS WATER
LITTLE ROCK, ARKANSAS

JACK H. WILSON WTP RENEWAL
AND RESILIENCY PROJECT

FILTER BUILDING
ELECTRICAL
ENLARGED INTERMEDIATE SYSTEM AND LIGHTING
PLAN - CROSS GALLERY

DATE:	NOVEMBER 2024
HAZEN NO.:	60711-003
CONTRACT NO.:	1
DRAWING NUMBER:	E3018

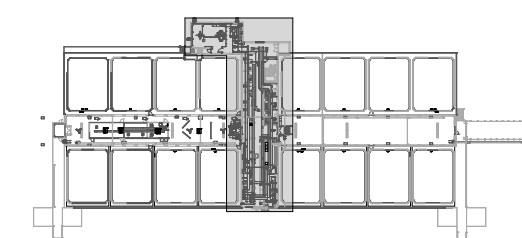


ENLARGED TOP LIGHTING PLAN - SECOND FLOOR

3/16" = 1'-0"

NOTES:

1. ALL 'LP3b' TYPE LIGHT FIXTURES SHALL BE PENDANT-MOUNTED, WITH 1' SUSPENSION.
2. ALL 'LC1' TYPE LIGHT FIXTURES SHALL BE CEILING MOUNTED 13'-0" AFF.
3. ALL 'LR2' LIGHT FIXTURES SHALL BE CEILING MOUNTED
4. ALL 'LR3' LIGHT FIXTURES SHALL BE CEILING MOUNTED
5. LIGHTING CIRCUITS ARE FED FROM PANEL LF IN WEST FILTER GALLERY.
6. ALL 'LR1a' TYPE LIGHT FIXTURES SHALL BE RECESSED TO CEILING.
7. ALL 'LR1a' TYPE LIGHT FIXTURES SHALL BE RECESSED TO CEILING.
8. LIGHT FIXTURE TYPE "EW1" SHALL BE WALL MOUNTED 7'-0" AFF.
9. LIGHTING CIRCUITS ARE FED FROM PANEL LP-FB-10 IN ELECTRICAL ROOM.
10. ALL WALL RECEPTACLES IN CONTROL ROOM SHALL BE INSTALLED 8' AFF.
11. MOUNT RECEPTACLES ON FLOOR AND ROUTE CONDUIT THROUGH EXISTING PENETRATIONS IN EXISTING FLOOR.
12. LIGHT FIXTURE TYPE "LW1" SHALL BE MOUNTED 8'-0" AFF.



KEY PLAN

GMP SUBMITTAL. DO NOT USE FOR CONSTRUCTION.

Autodesk_Docs/60711-001_Wilson_WTP_Renewal_Filter_Building/60711-000-3000-FB3108-FWC-ELEC.rvt 11/19/2024 12:55:59 PM

PROJECT MANAGER:	T. HUDSON		
DESIGNED BY:	N. NELSON		
DRAWN BY:	N. NELSON		
PROJECT ENGINEER:	B. BUELTEL		
IF THIS BAR DOES NOT MEASURE 1" THEN DRAWING IS NOT TO FULL SCALE	0 1/2" 1"		
REV	ISSUED FOR	DATE	BY



Hazen

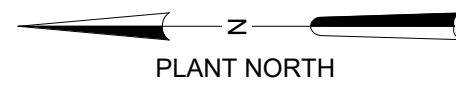
HAZEN AND SAWYER
8150 N. CENTRAL EXPRESSWAY
TOWER II - SUITE 700
DALLAS, TEXAS 75206

CENTRAL ARKANSAS WATER
LITTLE ROCK, ARKANSAS

JACK H. WILSON WTP RENEWAL
AND RESILIENCY PROJECT

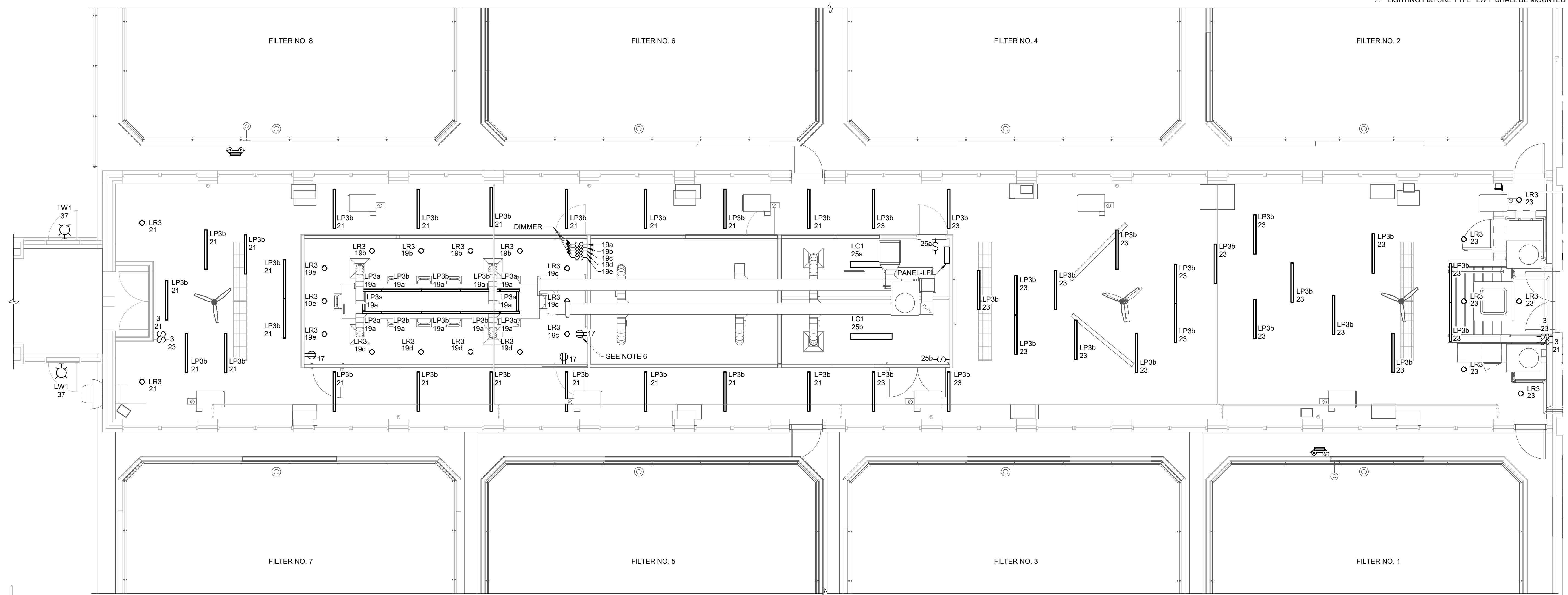
FILTER BUILDING
ELECTRICAL
ENLARGED TOP LIGHTING PLAN - SECOND FLOOR

DATE:	NOVEMBER 2024
HAZEN NO.:	60711-003
CONTRACT NO.:	1
DRAWING NUMBER:	E3019



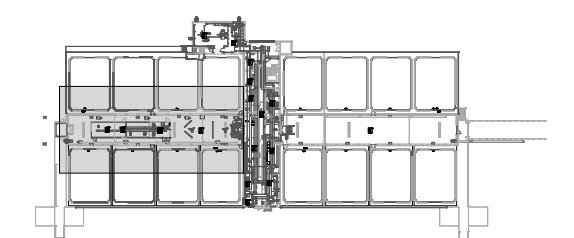
NOTES:

1. ALL 'LP3b' TYPE LIGHT FIXTURES SHALL BE PENDANT-MOUNTED, WITH 1' SUSPENSION.
2. ALL 'LP3a' TYPE LIGHT FIXTURES SHALL BE PENDANT-MOUNTED, WITH 1' SUSPENSION.
3. ALL 'LC1' TYPE LIGHT FIXTURES SHALL BE CEILING MOUNTED 11'-0" AFF.
4. ALL 'LR3' LIGHT FIXTURES SHALL BE CEILING MOUNTED.
5. LIGHTING CIRCUITS ARE FED FROM PANEL LF IN WEST FILTER GALLERY.
6. INSTALL RECEPTACLE 6' AFF.
7. LIGHTING FIXTURE TYPE 'LW1' SHALL BE MOUNTED 10'-10" AFF.



ENLARGED TOP LIGHTING PLAN - SECOND FLOOR WEST

3/16" = 1'-0"



KEY PLAN

GMP SUBMITTAL. DO NOT USE FOR CONSTRUCTION.

Autodesk_Docs\60711-001_Wilson_WTP_Rehab_File_Base\60711-003-3000-FB3108-FWC-ELEC.rvt 11/19/2024 12:55:41 PM

PROJECT MANAGER:	T. HUDSON		
DESIGNED BY:	N. NELSON		
DRAWN BY:	N. NELSON		
PROJECT ENGINEER:	B. BUELTEL		
IF THIS BAR DOES NOT MEASURE 1" THEN DRAWING IS NOT TO FULL SCALE	0 1/2" 1"		
REV	ISSUED FOR	DATE	BY



Hazen

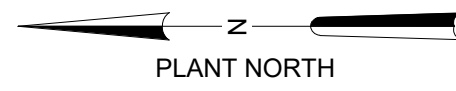
HAZEN AND SAWYER
8150 N. CENTRAL EXPRESSWAY
TOWER II - SUITE 700
DALLAS, TEXAS 75206

CENTRAL ARKANSAS WATER
LITTLE ROCK, ARKANSAS

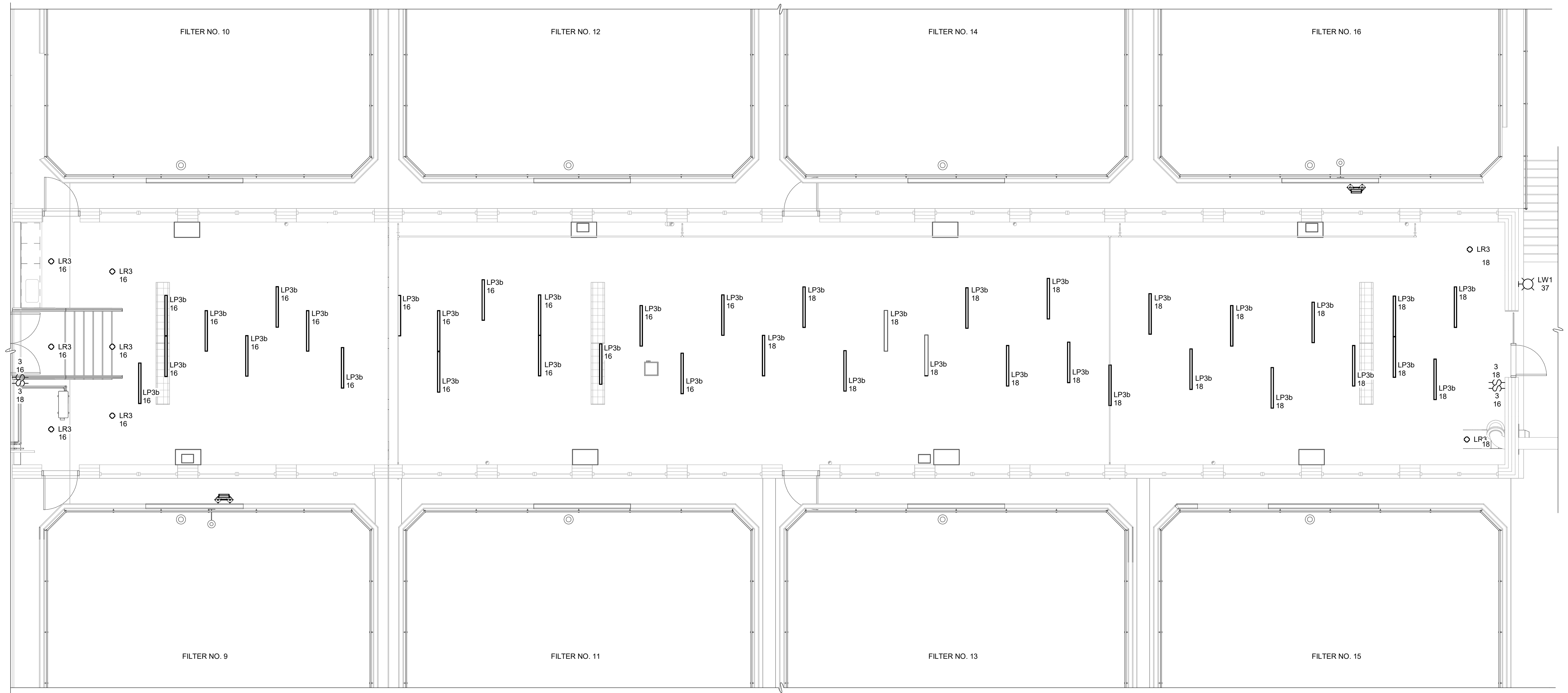
JACK H. WILSON WTP RENEWAL
AND RESILIENCY PROJECT

FILTER BUILDING
ELECTRICAL
ENLARGED TOP LIGHTING PLAN - SECOND FLOOR
WEST

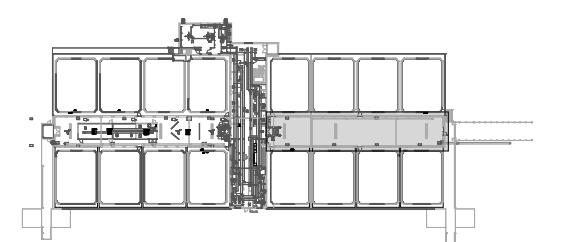
DATE:	NOVEMBER 2024
HAZEN NO.:	60711-003
CONTRACT NO.:	1
DRAWING NUMBER:	E3020



- NOTES:
1. ALL 'LP3b' TYPE LIGHT FIXTURES SHALL BE PENDANT-MOUNTED, WITH 1' SUSPENSION.
 2. LIGHTING CIRCUITS ARE FED FROM PANEL LF IN WEST FILTER GALLERY.
 3. LIGHTING FIXTURE TYPE 'LW1' SHALL BE MOUNTED 8'-0" AFF.



ENLARGED TOP LIGHTING PLAN - SECOND FLOOR EAST
3/16" = 1'-0"



KEY PLAN

GMP SUBMITTAL. DO NOT USE FOR CONSTRUCTION.

Autodesk_Docs\60711-003_Wilson_WTP_Rehab_Filter_Building\60711-003-3000-FB3108-FWC-ELEC.rvt 11/19/2024 12:55:03 PM

REV	ISSUED FOR	DATE	BY

PROJECT MANAGER:	T. HUDSON
DESIGNED BY:	N. NELSON
DRAWN BY:	N. NELSON
PROJECT ENGINEER:	B. BUELTEL
IF THIS BAR DOES NOT MEASURE 1" THEN DRAWING IS NOT TO FULL SCALE	



Hazen
HAZEN AND SAWYER
8150 N. CENTRAL EXPRESSWAY
TOWER II - SUITE 700
DALLAS, TEXAS 75206

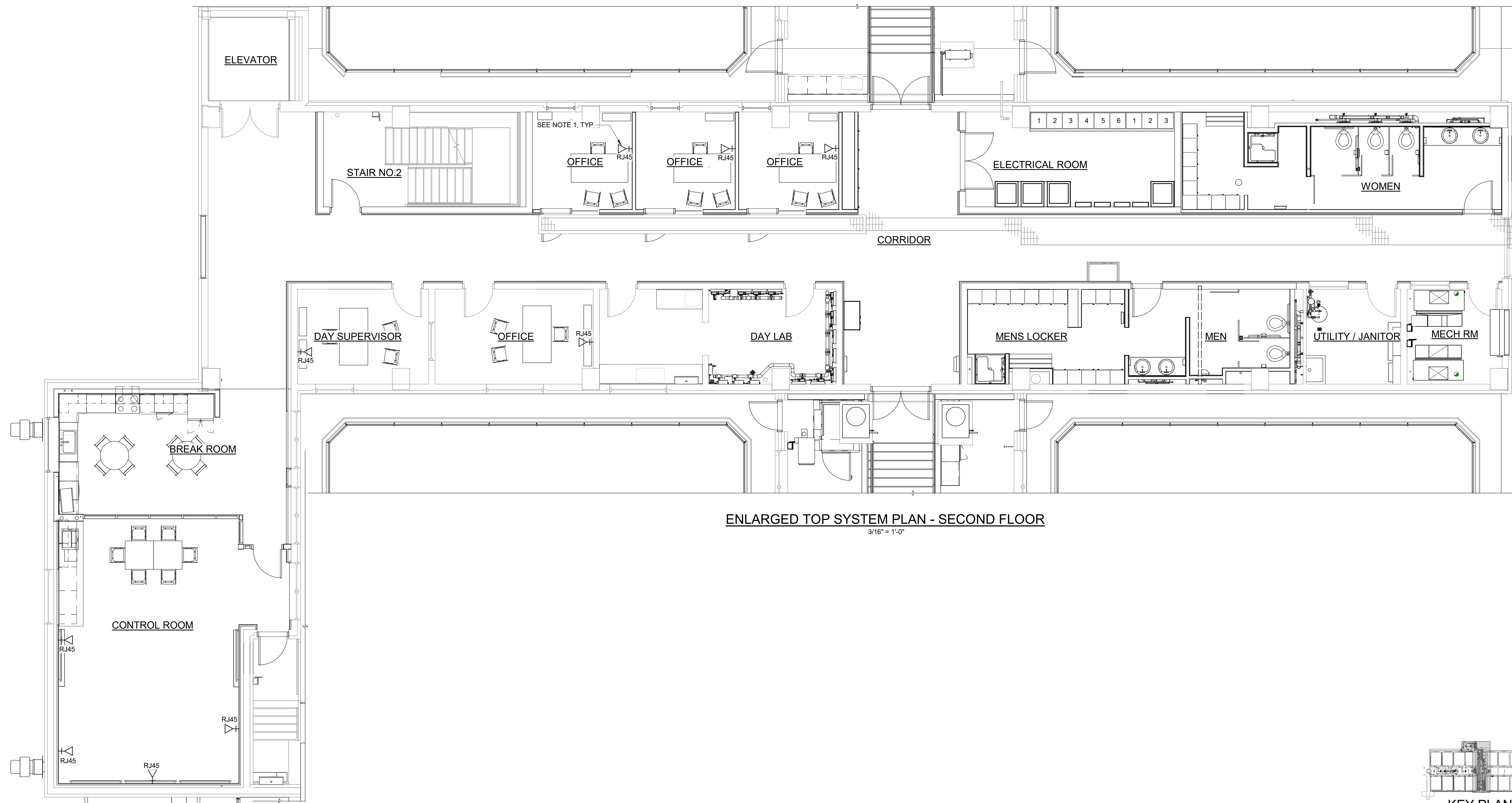
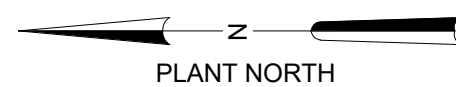
CENTRAL ARKANSAS WATER
LITTLE ROCK, ARKANSAS

JACK H. WILSON WTP RENEWAL
AND RESILIENCY PROJECT

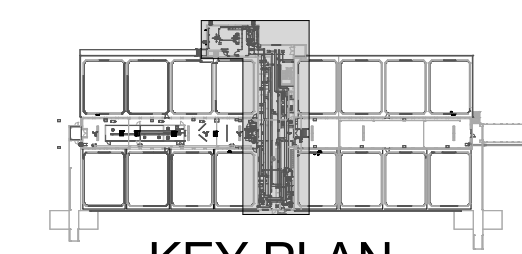
FILTER BUILDING
ELECTRICAL
ENLARGED TOP LIGHTING PLAN - SECOND FLOOR EAST

DATE:	NOVEMBER 2024
HAZEN NO.:	60711-003
CONTRACT NO.:	1
DRAWING NUMBER:	E3021

- NOTES:
- INSTALL RJ45 OUTLET WITH SS FACEPLATE IN SURFACE MOUNTED BOX AT 60" AFF. PROVIDE 3/4" CONDUIT WITH (1) CAT6 CABLE FROM OUTLET TO SCADA ROOM.



ENLARGED TOP SYSTEM PLAN - SECOND FLOOR
3/16" = 1'-0"



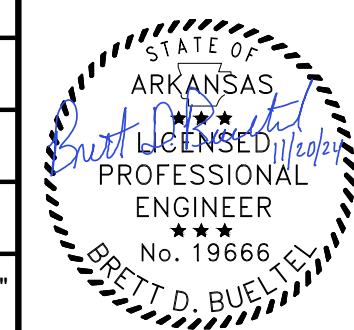
KEY PLAN

GMP SUBMITTAL. DO NOT USE FOR CONSTRUCTION.

Autodesk_Docs\60711-003-Wilson_WTP_Rehab_File_Base\60711-003-3000-FB3108-FWC-ELEC.rvt 11/19/2024 12:55:46 PM

REV	ISSUED FOR	DATE	BY

PROJECT MANAGER:	T. HUDSON
DESIGNED BY:	N. NELSON
DRAWN BY:	N. NELSON
PROJECT ENGINEER:	B. BUELTEL
IF THIS BAR DOES NOT MEASURE 1" THEN DRAWING IS NOT TO FULL SCALE	



Hazen

HAZEN AND SAWYER
8150 N. CENTRAL EXPRESSWAY
TOWER II - SUITE 700
DALLAS, TEXAS 75206

CENTRAL ARKANSAS WATER
LITTLE ROCK, ARKANSAS

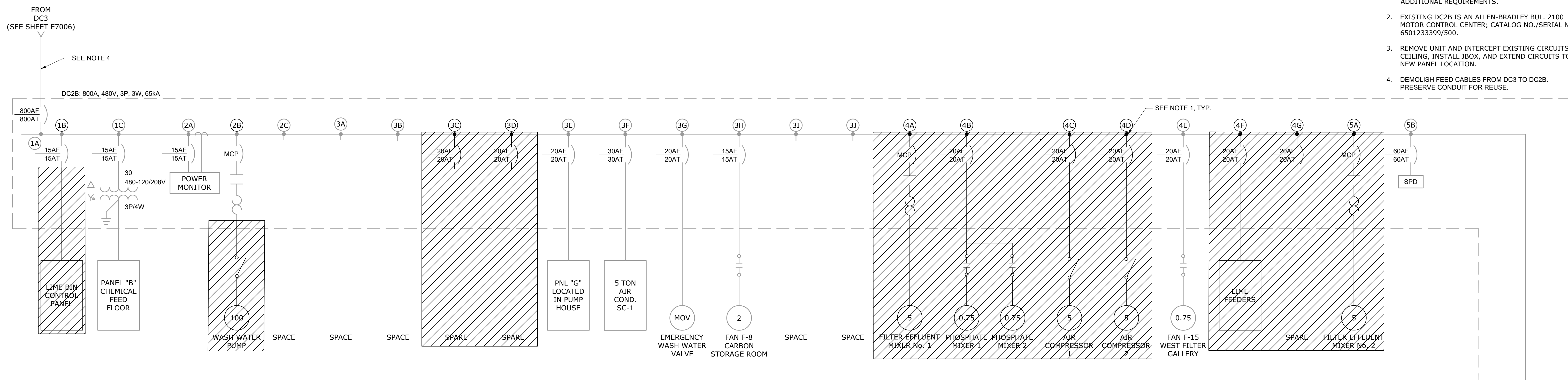
JACK H. WILSON WTP RENEWAL
AND RESILIENCY PROJECT

FILTER BUILDING
ELECTRICAL
ENLARGED TOP SYSTEM PLAN - SECOND FLOOR

DATE:	NOVEMBER 2024
HAZEN NO.:	60711-003
CONTRACT NO.:	1
DRAWING NUMBER:	E3022

NOTES:

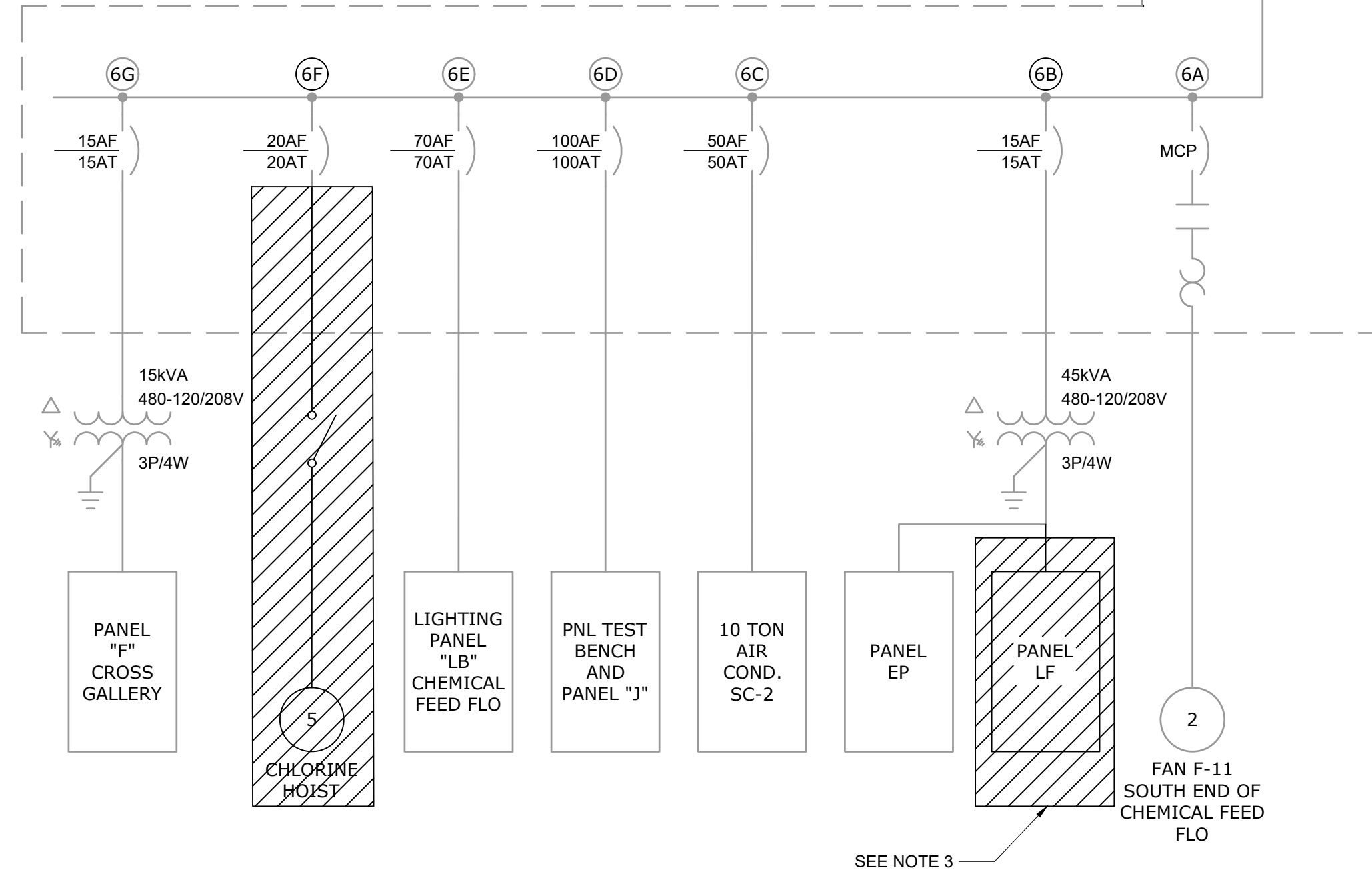
1. REMOVE UNIT AS SHOWN. SEE SHEET E3028 FOR ADDITIONAL REQUIREMENTS.
2. EXISTING DC2B IS AN ALLEN-BRADLEY BUL. 2100 MOTOR CONTROL CENTER; CATALOG NO./SERIAL NO. 6501233399/500.
3. REMOVE UNIT AND INTERCEPT EXISTING CIRCUITS IN CEILING, INSTALL JBOX, AND EXTEND CIRCUITS TO NEW PANEL LOCATION.
4. DEMOLISH FEED CABLES FROM DC3 TO DC2B. PRESERVE CONDUIT FOR REUSE.



DC2B
SINGLE-LINE DIAGRAM - DEMOLITION

SECTION 1	SECTION 2	SECTION 3	SECTION 4	SECTION 5	SECTION 6
1A	2A	3A	4A	5A	6A
1B	2B	3B	4B	5B	6B
1C	2C	3C	4C	5C	6C
		3E	4D		6D
		3F	4E		6E
		3G	4F		6F
		3H	4G		6G
		3I			6H
		3J			6I
					6J

DC2B ELEVATION - DEMOLITION
N.T.S.



SEE NOTE 3

GMP SUBMITTAL. DO NOT USE FOR CONSTRUCTION.

File: C:\USERS\NINELSON\ACCD\DC2B\HAZEN AND SAWYER\60711-001_WILSON_WTP_REHAB_FILTER_BASINPROJECT FILES\00_ELECTRICAL\E3023 Saved by NINELSON Save date: 10/22/2024 1:57 PM
PLOT DATE: 11/19/2024 1:45 PM BY: NINELSON

REV	ISSUED FOR	DATE	BY

PROJECT MANAGER:	T. HUDSON
DESIGNED BY:	S. REXHEPI
DRAWN BY:	S. REXHEPI
PROJECT ENGINEER:	B. BUELTEL
IF THIS BAR DOES NOT MEASURE 1" THEN DRAWING IS NOT TO FULL SCALE	0 1/2" 1"



Hazen
HAZEN AND SAWYER
8150 N. CENTRAL EXPRESSWAY
TOWER II - SUITE 700
DALLAS, TEXAS 75206

CENTRAL ARKANSAS WATER
LITTLE ROCK, ARKANSAS

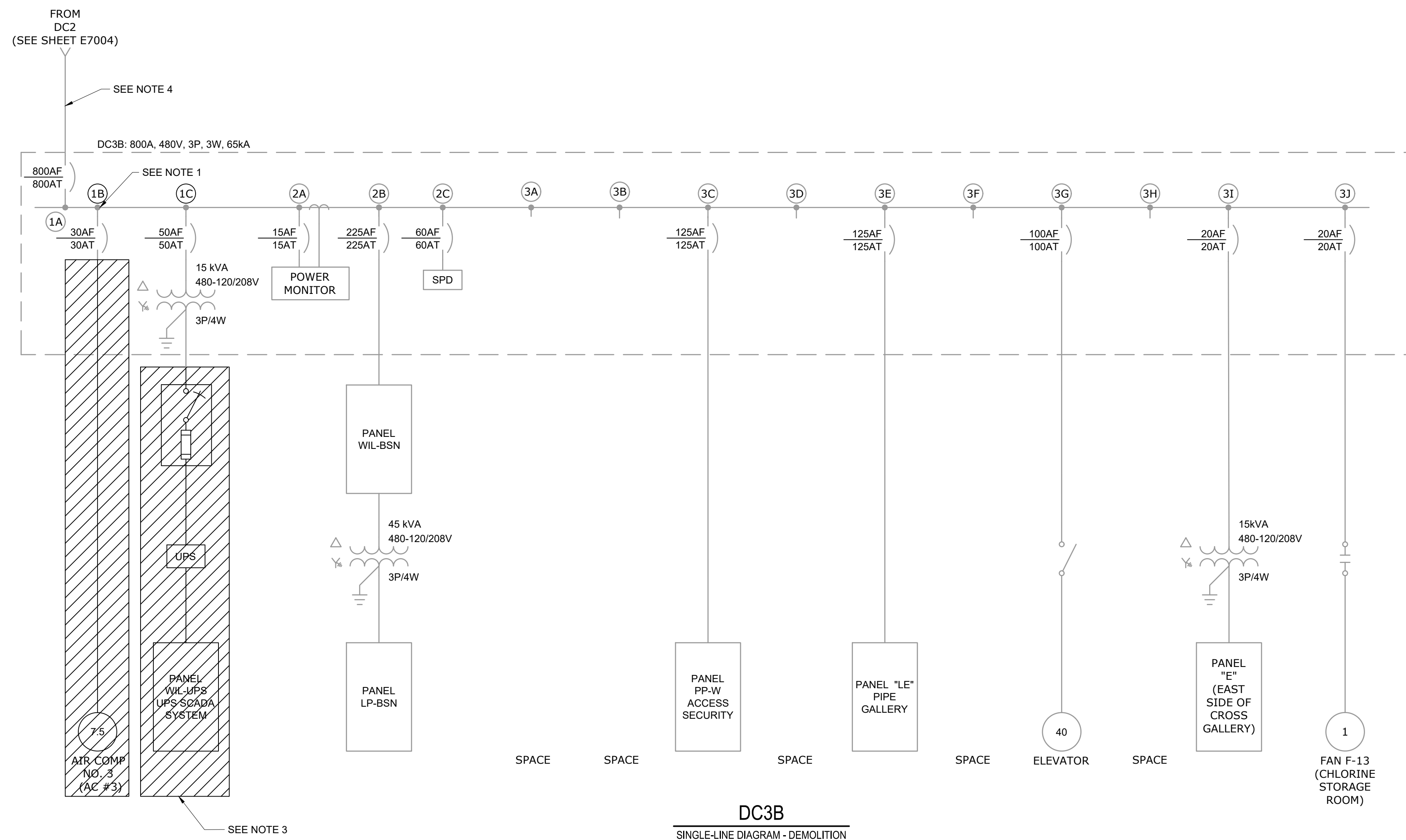
JACK H. WILSON WTP RENEWAL AND
RESILIENCY PROJECT

FILTER BUILDING
ELECTRICAL
DC2B DEMOLITION SINGLE-LINE DIAGRAM AND
ELEVATION

DATE:	NOVEMBER 2024
HAZEN NO.:	60711-003
CONTRACT NO.:	1
DRAWING NUMBER:	E3023

NOTES:

1. DISCONNECT AIR COMPRESSOR No. 3 AND DEMOLISH CONDUCTORS BACK TO DC3B. PRESERVE CONDUIT FOR FUTURE USE.
2. EXISTING DC3B IS AN ALLEN-BRADLEY BUL. 2100 MOTOR CONTROL CENTER; CATALOG NO./SERIAL NO. 650123399/600.
3. REMOVE UNIT AND INTERCEPT EXISTING CIRCUITS IN CEILING, INSTALL JBOX, AND EXTEND CIRCUITS TO NEW PANEL LOCATION.
4. DEMOLISH FEED CABLES FROM DC2 TO DC3B. PRESERVE CONDUIT FOR REUSE.



SECTION 1	SECTION 2	SECTION 3
		3A
1A	2A	3B
	2B	3C
1B		3D
	2C	3E
		3F
1C		3G
		3H
		3I
		3J

DC3B ELEVATION - DEMOLITION
N.T.S.

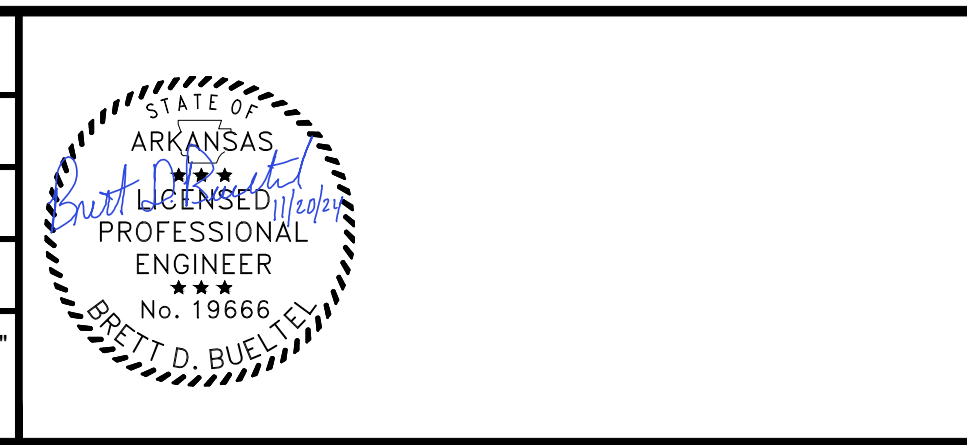
DC3B
SINGLE-LINE DIAGRAM - DEMOLITION

GMP SUBMITTAL. DO NOT USE FOR CONSTRUCTION.

File: C:\USERS\NINELSON\ACCD\DC3B\HAZEN AND SAWYER\60711-001_WILSON_WTP_REHAB_FILTER_BASIN\PROJECT FILES\00_ELECTRICAL\E3024_Saved by NINELSON.dwg Date: 10/22/2024 1:43 PM
PLOT DATE: 11/19/2024 1:45 PM BY: NINELSON

REV	ISSUED FOR	DATE	BY

PROJECT MANAGER:	T. HUDSON
DESIGNED BY:	S. REXHEPI
DRAWN BY:	S. REXHEPI
PROJECT ENGINEER:	B. BUELTEL
IF THIS BAR DOES NOT MEASURE 1" THEN DRAWING IS NOT TO FULL SCALE	
	0 1/2" 1"



Hazen
HAZEN AND SAWYER
8150 N. CENTRAL EXPRESSWAY
TOWER II - SUITE 700
DALLAS, TEXAS 75206

CENTRAL ARKANSAS WATER
LITTLE ROCK, ARKANSAS

JACK H. WILSON WTP RENEWAL AND
RESILIENCY PROJECT

FILTER BUILDING
ELECTRICAL
DC3B DEMOLITION SINGLE-LINE DIAGRAM AND
ELEVATION

DATE:	NOVEMBER 2024
HAZEN NO.:	60711-003
CONTRACT NO.:	1
DRAWING NUMBER:	E3024

NOTES:

1. LEAVE CIRCUIT BREAKER IN PLACE TO REUSE AS SPARE.
2. CONTRACTOR SHALL UPDATE EXISTING PANEL B SCHEDULE TO REFLECT CHANGES SHOWN.
3. CONTRACTOR SHALL UPDATE EXISTING PANEL LP-BSN SCHEDULE TO REFLECT CHANGES SHOWN.

208/120 VOLTS 3 PHASE, 4 WIRE				PANEL B MAIN LUG ONLY 225A 3P				TYPE: NEMA 1 MOUNT: SURFACE							
MODS	DESCRIPTION	WIRE	TRIP	POLE	CKT No.	VOLT-AMPERES			CKT No.	POLE	TRIP	WIRE	DESCRIPTION	MODS	
						A	B	C							
	CONTROL PANEL FILTER #1		20	1	1	211			2						
	CONTROL PANEL FILTER #3		20	1	3	211			4	3	30		CARBON FEEDER		
	OUTLETS/CLOCK FILTER CONSOLE ROOM		20	1	5		632		6						
	REST ROOM OUTLETS/FEEDER ROOM OUTLETS		20	1	7	842			8	1	20		FEEDER FLOOR OUTLETS F-11		
	ALUM FEEDERS #1/#2		20	1	9		1,158		10	1	20		PERMANGANATE/CARBON FEEDERS		
	SOUTH CHEMICAL STORAGE FLOOR OUTLETS		20	1	11		842		12	1	20		NORTH CHEMICAL STORAGE OUTLETS/EMERGENCY LIGHTS		
	SOUTH CONSOLE ROOM LIGHTS		20	1	13	-			14	1	20		TURBIDIMETER TRANSMITTER/PH ANALYZER		
	FILTER GALLERY SOUTH OUTLETS		20	1	15		789		16	1	20		FILTER GALLERY NORTH OUTLETS/EMERGENCY LIGHTS		
	ALUM DUST COLLECTORS		20	1	17		1,158		18	1	20		RECEPTACLE DRYLAB		
	NORTH CHEMICAL STORAGE HEATER UH-G-1		20	1	19	1,105			20	1	20		SAMPLE PUMPS		
	LIME FLUORIDE DUST COLLECTORS		20	1	21		1,158		22	1	20		LAB CLOSET, UPS POWER		
	HOT WATER CIRCULATOR		20	1	23				24	1	20		UNIT HEATERS UH-G-7/FEEDER FLOOR		
	VENT FANS F-10; 14; 18. UH-9/10		20	1	25	1,150			26	1	20		CARBON DUST COLLECTOR 2ND FLOOR		
	LIGHT UNDER STAIRS BASEMENT		20	1	27				28	1	20		CARBON DUST COLLECTOR 1ST FLOOR		
	WEST FILTERED SAMPLE PUMP		20	1	29				30	1	20		CHLORINE FLOW RECORDERS		
	STORAGE/UTILITY ROOM; LAB HEATER		20	1	31	421			32	1	20		PIPE GALLERY CEILING LIGHTS		
	PIPE GALLERY LIGHTS		20	1	33		1,011		34	1	20		CARBON STORAGE ROOM		
	PHOSPHATE SOLENOID VALVE		20	1	35		421		36	2	60		RECP FILTER GALLERY		
	UNKNOWN		20	1	37	790			38				UNKNOWN		
	UNKNOWN		20	1	39				40	1	20		UNKNOWN		
	SAMPLE PUMP		20	1	41				42	1	20		2-2H4 (P-W)-DC2B3B		
TOTAL						4,519	4,327	3,053	TOTAL			2,513	4,420	935	
PHASE TOTAL						7,032	8,747	3,988	TOTAL LOAD (VA)			19,767			
									TOTAL LOAD (A)			55			

SEE NOTE 1, TYP.

MODIFICATION (MODS) LEGEND:
 EPD - GROUND FAULT CIRCUIT INTERRUPTER (30mA)
 GFCI - GROUND FAULT CIRCUIT INTERRUPTER (5mA)
 LOD - LOCK-ON DEVICE
 LFD - LOCK-OFF DEVICE

NOTES:
 10kAIC
 *TOTAL EXISTING LOAD: 20 kVA

208/120 VOLTS 3 PHASE, 4 WIRE				PANEL LP-BSN MAIN BREAKER 225A 3P				TYPE: NEMA 1 MOUNT: SURFACE						
MODS	DESCRIPTION	WIRE	TRIP	POLE	CKT No.	VOLT-AMPERES			CKT No.	POLE	TRIP	WIRE	DESCRIPTION	MODS
						A	B	C						
	PANEL M		40	3	1				2				PANEL D	
					3				4					
					5				6					
	WEST FILTER GALLERY EXHAUST FAN		20	3	7				8	1	20		UNKNOWN	
					9				10	1	20		UNKNOWN	
					11				12	1	20		UNKNOWN	
	UNKNOWN		20	1	13	-			14	1	20		UNKNOWN	
	UNKNOWN		20	1	15				16	1	20		UNKNOWN	
	UNKNOWN		20	1	17				18	1	20		UNKNOWN	
	UNKNOWN		20	1	19	-			20	1	20		UNKNOWN	
	UNKNOWN		20	1	21				22	1	20		UNKNOWN	
	UNKNOWN		20	1	23				24	1	20		UNKNOWN	
	UNKNOWN		20	1	25	-			26	1	20		UNKNOWN	
	UNKNOWN		20	1	27				28	1	20		UNKNOWN	
	UNKNOWN		20	1	29				30	1	20		UNKNOWN	
	UNKNOWN		20	1	31	-			32	1	20		UNKNOWN	
	UNKNOWN		20	1	33				34	1	20		UNKNOWN	
	UNKNOWN		20	1	35				36	1	20		UNKNOWN	
	UNKNOWN		20	1	37	-			38	1	20		UNKNOWN	
	UNKNOWN		20	1	39				40	1	20		UNKNOWN	
	UNKNOWN		20	1	41				42	1	20		UNKNOWN	
TOTAL						0	0	0	TOTAL			0	0	0
PHASE TOTAL						0			TOTAL LOAD (VA)			0		
									TOTAL LOAD (A)			0		

MODIFICATION (MODS) LEGEND:
 EPD - GROUND FAULT CIRCUIT INTERRUPTER (30mA)
 GFCI - GROUND FAULT CIRCUIT INTERRUPTER (5mA)
 LOD - LOCK-ON DEVICE
 LFD - LOCK-OFF DEVICE

NOTES:
 10kAIC
 200A MCB

GMP SUBMITTAL. DO NOT USE FOR CONSTRUCTION.

File: C:\USERS\NINELSON\ACCD\HAZEN AND SAWYER\60711-001_WILSON_WTP_REHAB_FILTER_BASINPROJECT FILES\00_ELECTRICAL\E025 Saved by SREXHEPI Save date: 11/17/2024 4:03 PM
 PLOT DATE: 11/19/2024 1:45 PM BY: NINELSON

PROJECT MANAGER:	T. HUDSON
DESIGNED BY:	S. REXHEPI
DRAWN BY:	S. REXHEPI
PROJECT ENGINEER:	B. BUELTEL
IF THIS BAR DOES NOT MEASURE 1" THEN DRAWING IS NOT TO FULL SCALE	0 1/2" 1"



CENTRAL ARKANSAS WATER
 LITTLE ROCK, ARKANSAS

JACK H. WILSON WTP RENEWAL AND
 RESILIENCY PROJECT

FILTER BUILDING
 ELECTRICAL
 DEMOLITION PANEL SCHEDULES I

DATE:	NOVEMBER 2024
HAZEN NO.:	60711-003
CONTRACT NO.:	1
DRAWING NUMBER:	E3025

NOTES:

1. LEAVE CIRCUIT BREAKER IN PLACE TO REUSE AS SPARE.
2. CONTRACTOR SHALL UPDATE EXISTING PANEL TEST BENCH SCHEDULE TO REFLECT CHANGES SHOWN.
3. CONTRACTOR SHALL UPDATE EXISTING PANEL J SCHEDULE TO REFLECT CHANGES SHOWN.
4. CONTRACTOR SHALL UPDATE EXISTING PANEL F SCHEDULE TO REFLECT CHANGES SHOWN.

480/277 VOLTS 3 PHASE, 4 WIRE		PANEL TEST BENCH MAIN LUG ONLY 125A 3P										TYPE: NEMA 1 MOUNT: SURFACE					
MODS	DESCRIPTION	WIRE	TRIP	POLE	CKT No.	VOLT-AMPERES			VOLT-AMPERES			CKT No.	POLE	TRIP	WIRE	DESCRIPTION	MODS
						A	B	C	A	B	C						
	M-T TRANSFORMER DISCONNECT			100	3	1	-	-	-	-	-	2					
						3	-	-	-	-	-	4	3	100		SPARE	
						5	-	-	-	-	-	6					
	CHEMICAL PUMP DISCONNECT			20	3	7	-	-	-	-	-	8					
						9	-	-	-	-	-	10	3	60		TEST BENCH TRANSIENT ELIMINATOR	
						11	-	-	-	-	-	12					
TOTAL						0	0	0	0	0	0	TOTAL					
PHASE TOTAL						0	0	0	TOTAL LOAD (VA)								
						0	0	0	0								
						TOTAL LOAD (A)											
						0											

MODIFICATION (MODS) LEGEND:
 EPD - GROUND FAULT CIRCUIT INTERRUPTER (30mA)
 GFCI - GROUND FAULT CIRCUIT INTERRUPTER (5mA)
 LOD - LOCK-ON DEVICE
 LFD - LOCK-OFF DEVICE

NOTES:
 14kAIC
 *TOTAL EXISTING LOAD: 54 kVA

SEE NOTE 1

208/120 VOLTS 3 PHASE, 4 WIRE		PANEL J MAIN LUG ONLY ? 3P										TYPE: ? MOUNT: SURFACE					
MODS	DESCRIPTION	WIRE	TRIP	POLE	CKT No.	VOLT-AMPERES			VOLT-AMPERES			CKT No.	POLE	TRIP	WIRE	DESCRIPTION	MODS
						A	B	C	A	B	C						
	SURGE PROTECTOR			15	3	1	-	-	-	-	-	2	1	20		LIME FEED 2ND FEEDER	
						3	-	-	-	-	-	4	1	20		LIME FEEDER	
						5	-	-	-	-	-	6	1	20		SPARE	
						7	-	-	-	-	-	8					
	UNKNOWN			50	3	9	-	-	-	-	-	10	3	40		SPARE	
						11	-	-	-	-	-	12					
TOTAL						0	0	0	0	0	0	TOTAL					
PHASE TOTAL						0	0	0	TOTAL LOAD (VA)								
						0	0	0	0								
						TOTAL LOAD (A)											
						0											

MODIFICATION (MODS) LEGEND:
 EPD - GROUND FAULT CIRCUIT INTERRUPTER (30mA)
 GFCI - GROUND FAULT CIRCUIT INTERRUPTER (5mA)
 LOD - LOCK-ON DEVICE
 LFD - LOCK-OFF DEVICE

NOTES:
 10kAIC
 UNKNOWN AMPERAGE

SEE NOTE 1, TYP.

208/120 VOLTS 3 PHASE, 4 WIRE		PANEL F MAIN LUG ONLY ? 3P										TYPE: NAB MOUNT: SURFACE					
MODS	DESCRIPTION	WIRE	TRIP	POLE	CKT No.	VOLT-AMPERES			VOLT-AMPERES			CKT No.	POLE	TRIP	WIRE	DESCRIPTION	MODS
						A	B	C	A	B	C						
	WASTE WATER METER VAULT SUMP PUMP			20	1	1	-	-	-	-	-	2	1	20		WASTE WATER METER VAULT & TANK LIGHTS & OUTLETS	
	RAW WATER VAULT #1 SUMP PUMP			20	1	3	-	-	-	-	-	4	1	20		RAW VAULT LIGHTS & OUTLETS	
	FLASH MIXER & SETTLING BASIN LIGHTS & OUTLETS			20	1	5	-	-	-	-	-	6	1	20		RAW WATER VAULT #2 SUMP PUMP	
	RAW WATER VAULT #2 LIGHTS & OUTLETS			20	1	7	-	-	-	285	-	8	1	20		RESIDUAL CHLORINE TRANSMITTER	
	AIR DRYER			20	1	9	-	-	-	947	-	10	1	20		CROSS GALLERY OUTLETS & EMERGENCY LIGHTS	
	UNKNOWN			20	1	11	-	-	-	-	-	12	1	20		UNKNOWN	
	ASTRONOMICAL TIME CLOCK & YARD LTG CONTACTOR			20	1	13	-	-	-	-	-	14	1	20		RAW WATER RESIDUAL SAMPLE PUMP	
	SETTLED WATER RESIDUAL SAMPLE PUMP			20	1	15	-	-	-	-	-	16	1	20		DIS CTR NO 2 STRIP HEATERS	
	DIS CTR NO 2 STRIP HEATERS			20	1	17	-	-	-	-	-	18				UNKNOWN	
	CYLCE TIMER			20	1	19	-	-	-	-	-	20	2	20		UNKNOWN	
	UNKNOWN			20	1	21	-	-	-	-	-	22	1	20		UNKNOWN	
TOTAL						0	0	0	0	0	0	TOTAL					
PHASE TOTAL						285	947	0	TOTAL LOAD (VA)								
						1,232											
						TOTAL LOAD (A)											
						3											

MODIFICATION (MODS) LEGEND:
 EPD - GROUND FAULT CIRCUIT INTERRUPTER (30mA)
 GFCI - GROUND FAULT CIRCUIT INTERRUPTER (5mA)
 LOD - LOCK-ON DEVICE
 LFD - LOCK-OFF DEVICE

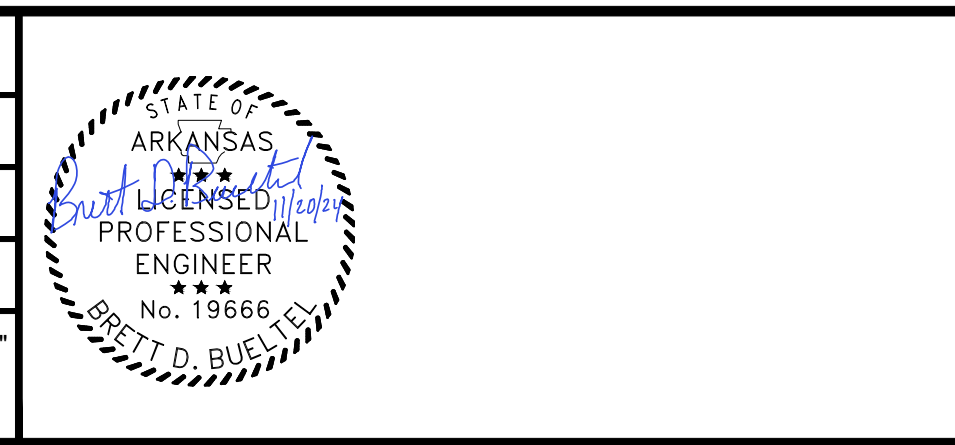
NOTES:
 10kAIC
 UNKNOWN AMPERAGE
 *TOTAL EXISTING LOAD: 10 kVA

SEE NOTE 1, TYP.

GMP SUBMITTAL. DO NOT USE FOR CONSTRUCTION.

File: C:\USERS\NINELSON\Documents\HAZEN AND SAWYER\60711-001_WILSON_WTP_REHAB_FILTER_BASINPROJECT FILES\00_ELECTRICAL\E3026 Saved by SREXHEPI Save date: 11/17/2024 4:04 PM
 PLOT DATE: 11/19/2024 1:45 PM BY: NINELSON

PROJECT MANAGER:	T. HUDSON		
DESIGNED BY:	S. REXHEPI		
DRAWN BY:	S. REXHEPI		
PROJECT ENGINEER:	B. BUELTEL		
IF THIS BAR DOES NOT MEASURE 1" THEN DRAWING IS NOT TO FULL SCALE	0 1/2" 1"		
REV	ISSUED FOR	DATE	BY



CENTRAL ARKANSAS WATER
 LITTLE ROCK, ARKANSAS

JACK H. WILSON WTP RENEWAL AND
 RESILIENCY PROJECT

HAZEN AND SAWYER
 8150 N. CENTRAL EXPRESSWAY
 TOWER II - SUITE 700
 DALLAS, TEXAS 75206

FILTER BUILDING
 ELECTRICAL
 DEMOLITION PANEL SCHEDULES II

DATE:	NOVEMBER 2024
HAZEN NO.:	60711-003
CONTRACT NO.:	1
DRAWING NUMBER:	E3026

NOTES:

1. LEAVE CIRCUIT BREAKER IN PLACE TO REUSE AS SPARE.
2. DISCONNECT AND REMOVE CIRCUIT BREAKER AND EXISTING LOAD. REPLACE WITH NEW LOADS, REFERENCE SHEET E3031.
3. CONTRACTOR SHALL UPDATE EXISTING PANEL E SCHEDULE TO REFLECT CHANGES SHOWN.

208/120 VOLTS 3 PHASE, 4 WIRE				PANEL D MAIN LUG ONLY ? 3P				TYPE: NEMA 1 MOUNT: SURFACE						
MODS	DESCRIPTION	WIRE	TRIP	POLE	CKT No.	VOLT-AMPERES			CKT No.	POLE	TRIP	WIRE	DESCRIPTION	MODS
						A	B	C						
	BREAK ROOM RECEPT. & STOVE			2	1	-	-	-	2	2	60		UNKNOWN	
	NORTH WORK BENCH RECP. & POWER			2	3	-	-	-	4	2	?		TECH SHOP & HEATER	
	VENT FAN F-12/CHLORINE ROOM			20	5	-	-	-	6	1	20		TIME CLOCK RECP.	
	BREAK ROOM RECP.			20	7	-	-	-	8	1	20		DAY LAB RECEPT.	
	CONTROL ROOM RECEPT.			20	9	-	-	-	10	1	20		TECH SHOP RECEPT.	SEE NOTE 2
	DOCK ENTRY RECEPT.			20	11	-	-	-	12	1	20		COMPUTER RECEPT.	
	PHASE 2 UPS			40	13	-	-	-	14	1	20		CHLORINE ROOM RECEPT.	
	CHLORINE LEAK DETECTOR			20	15	-	-	-	16	1	20		ELEVATOR LIGHTS	
	ELEVATOR ROOM RECEPT.			20	17	-	-	-	18	1	20		RECP. UNDER CONTR. CONSOLE	
	UNKNOWN			40	19	-	-	-	20	1	20		TECH SHOP BLOWER	
	UNKNOWN			20	21	-	-	-	22	1	20		UHGS, UHG15, UHG16 CHLORINE ROOM HEATER	SEE NOTE 1
	FLUORIDE PHOSPHATE FEED			20	23	-	-	-	24	1	20		CHLORINE FEED ROOM EQUIPMENT	
	UH6/VENT FAN F-6			20	25	-	-	-	26	3	65			
				20	27	-	-	-	28	1	20			
				20	29	-	-	-	30	1	20			
				20	31	-	-	-	32	1	20			
TOTAL						579	0	0	TOTAL					
PHASE TOTAL						1,526	0	0	TOTAL LOAD (VA)					
						1,526								
						TOTAL LOAD (A)								
						4								

MODIFICATION (MODS) LEGEND:
 EPD - GROUND FAULT CIRCUIT INTERRUPTER (30mA)
 GFCl - GROUND FAULT CIRCUIT INTERRUPTER (5mA)
 LOD - LOCK-ON DEVICE
 LFD - LOCK-OFF DEVICE

NOTES:
 10kAIC
 UNKNOWN AMPERAGE

208/120 VOLTS 3 PHASE, 4 WIRE				PANEL E MAIN BREAKER 100A 3P				TYPE: NEMA 1 MOUNT: SURFACE						
MODS	DESCRIPTION	WIRE	TRIP	POLE	CKT No.	VOLT-AMPERES			CKT No.	POLE	TRIP	WIRE	DESCRIPTION	MODS
						A	B	C						
	EAST FILTER CONTROL ROOM RECEPTACLES			20	1	663			2	1	20		EAST PIPE GALLERY RECEPTACLES	
	EAST FILTER CONTROL ROOM RECEPTACLES			30	1		663		4	1	20		EAST PIPE GALLERY RECEPTACLES	
	EAST FILTER SAMPLE PUMPS			20	1			1,468	6	1	20		EMERGENCY GENERATOR	
	SCADA DC 1			20	1				8	1	30		STORAGE BUILDING	
	POLYMER PANEL			20	1				10	1	20		F-1 EAST FILTER CONTROL ROOM EXHAUST FAN	
	EAST FILTER CONTROL ROOM UNIT HEATERS			20	1		379		12	1	20		CHARGING RECEPT/3RD FLOOR/ WATER TEMP CONTROL	
	EAST FILTER SAMPLE PUMP			20	1				14				BATTERY CHARGER	
	PHOSPHATE METER 3RD FL			20	1				16	2	40		UNKNOWN	
	FIRE ALARM			20	1				18	1	20		UNKNOWN	
					19				20	1	30		UNKNOWN	
	SURGE PROTECTOR			60	3				22	2	40		WATER HEATER	
					21				24					
					23				26					
	WATER HEATER			30	2				28	3	50		MAIN	
					25				30					
					27									
	ELEVATOR			20	1									
					29									
TOTAL						663	663	2,360	TOTAL					
PHASE TOTAL						2,889	3,648	2,518	TOTAL LOAD (VA)					
						9,055								
						TOTAL LOAD (A)								
						25								

MODIFICATION (MODS) LEGEND:
 EPD - GROUND FAULT CIRCUIT INTERRUPTER (30mA)
 GFCl - GROUND FAULT CIRCUIT INTERRUPTER (5mA)
 LOD - LOCK-ON DEVICE
 LFD - LOCK-OFF DEVICE

NOTES:
 10kAIC
 50A MCB
 *TOTAL EXISTING LOAD: 12 KVA

GMP SUBMITTAL. DO NOT USE FOR CONSTRUCTION.

File: C:\USERS\NINELSON\DC\CC\HAZEN AND SAWYER\60711-001_WILSON_WTP_REHAB_FILTER_BASINPROJECT FILES\00_ELECTRICAL\E3027 Saved by SREXHEPI Save date: 11/17/2024 3:09 PM
 PLOT DATE: 11/19/2024 1:45 PM BY: NINELSON

PROJECT MANAGER:	T. HUDSON		
DESIGNED BY:	S. REXHEPI		
DRAWN BY:	S. REXHEPI		
PROJECT ENGINEER:	B. BUELTEL		
IF THIS BAR DOES NOT MEASURE 1" THEN DRAWING IS NOT TO FULL SCALE	0 1/2" 1"		
REV	ISSUED FOR	DATE	BY



CENTRAL ARKANSAS WATER
 LITTLE ROCK, ARKANSAS

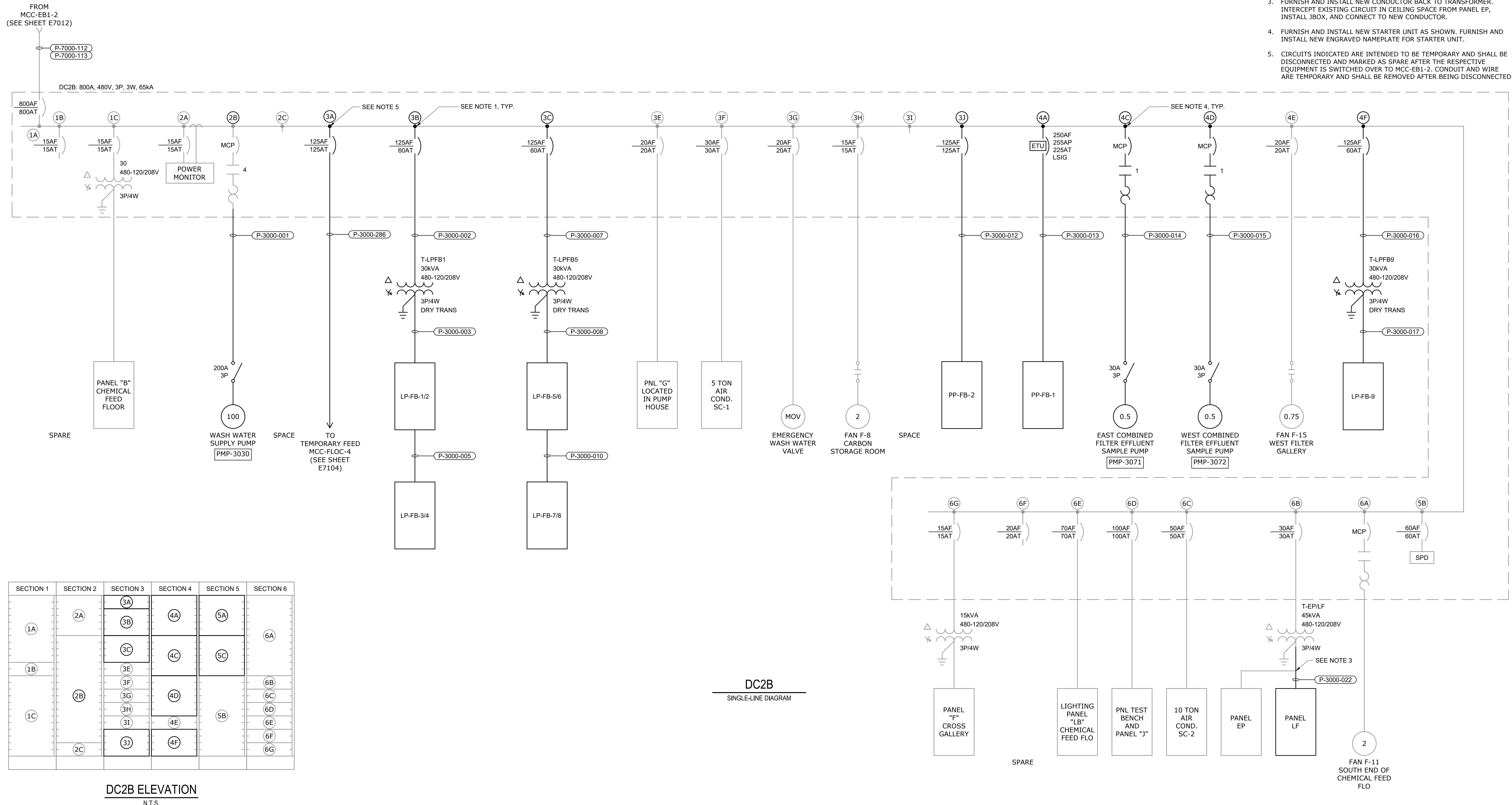
JACK H. WILSON WTP RENEWAL AND
 RESILIENCY PROJECT

FILTER BUILDING
 ELECTRICAL
 DEMOLITION PANEL SCHEDULES III

DATE:	NOVEMBER 2024
HAZEN NO.:	60711-003
CONTRACT NO.:	1
DRAWING NUMBER:	E3027

NOTES:

- FURNISH AND INSTALL NEW CIRCUIT BREAKER UNIT AS SHOWN. FURNISH AND INSTALL NEW ENGRAVED NAMEPLATE FOR BREAKER UNIT.
- EXISTING DC2B IS AN ALLEN-BRADLEY BUL. 2100 MOTOR CONTROL CENTER; CATALOG NO./SERIAL NO. 6501233399/500.
- FURNISH AND INSTALL NEW CONDUCTOR BACK TO TRANSFORMER. INTERCEPT EXISTING CIRCUIT IN CEILING SPACE FROM PANEL EP, INSTALL JBOX, AND CONNECT TO NEW CONDUCTOR.
- FURNISH AND INSTALL NEW STARTER UNIT AS SHOWN. FURNISH AND INSTALL NEW ENGRAVED NAMEPLATE FOR STARTER UNIT.
- CIRCUITS INDICATED ARE INTENDED TO BE TEMPORARY AND SHALL BE DISCONNECTED AND MARKED AS SPARE AFTER THE RESPECTIVE EQUIPMENT IS SWITCHED OVER TO MCC-EB1-2. CONDUIT AND WIRE ARE TEMPORARY AND SHALL BE REMOVED AFTER BEING DISCONNECTED.

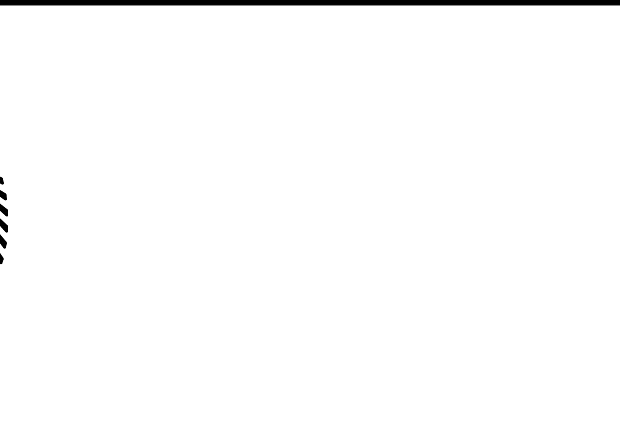


GMP SUBMITTAL. DO NOT USE FOR CONSTRUCTION.

File: C:\USERS\NINELSON\DC2B\DC2B_SINGLE-LINE DIAGRAM AND ELEVATION.dwg
 PLOT DATE: 11/19/2024 1:46 PM BY: NINELSON

REV	ISSUED FOR	DATE	BY

PROJECT MANAGER:	T. HUDSON
DESIGNED BY:	S. REXHEPI
DRAWN BY:	S. REXHEPI
PROJECT ENGINEER:	B. BUELTEL
IF THIS BAR DOES NOT MEASURE 1" THEN DRAWING IS NOT TO FULL SCALE	



Hazen
 HAZEN AND SAWYER
 8150 N. CENTRAL EXPRESSWAY
 TOWER II - SUITE 700
 DALLAS, TEXAS 75206

CENTRAL ARKANSAS WATER
 LITTLE ROCK, ARKANSAS

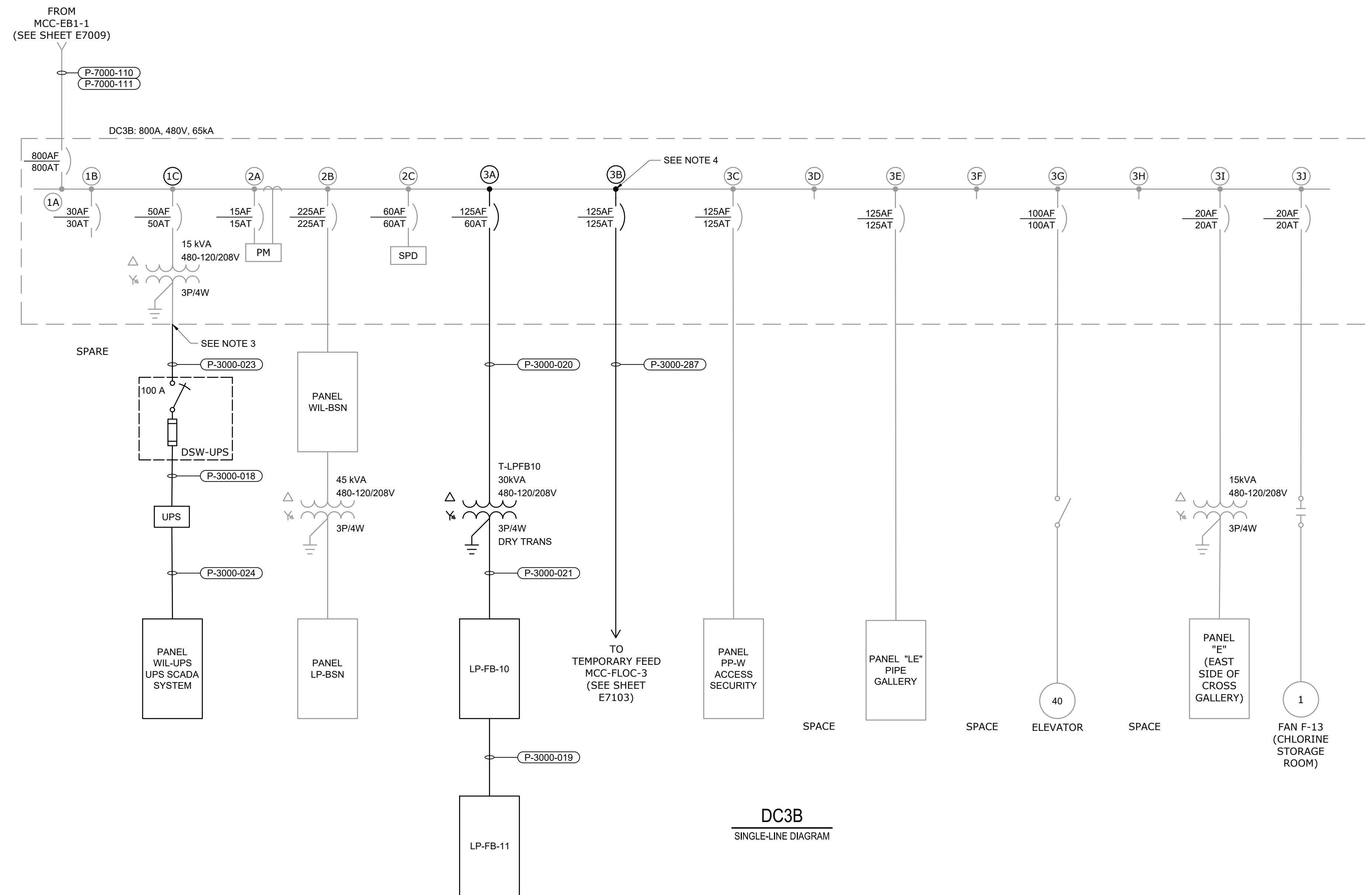
JACK H. WILSON WTP RENEWAL AND
 RESILIENCY PROJECT

DATE: NOVEMBER 2024
 HAZEN NO.: 60711-003
 CONTRACT NO.: 1
 DRAWING NUMBER: E3028

DATE: NOVEMBER 2024
 HAZEN NO.: 60711-003
 CONTRACT NO.: 1
 DRAWING NUMBER: E3028

NOTES:

1. FURNISH AND INSTALL NEW CIRCUIT BREAKER UNIT AS SHOWN. FURNISH AND INSTALL NEW ENGRAVED NAMEPLATE FOR BREAKER UNIT.
2. EXISTING DC3B IS AN ALLEN-BRADLEY BUL. 2100 MOTOR CONTROL CENTER; CATALOG NO./SERIAL NO. 6501233399/600.
3. INTERCEPT EXISTING CIRCUIT IN CEILING SPACE, INSTALL JBOX, AND EXTEND CIRCUITS TO NEW PANEL LOCATION.
4. CIRCUITS INDICATED ARE INTENDED TO BE TEMPORARY AND SHALL BE DISCONNECTED AND MARKED AS SPARE AFTER THE RESPECTIVE EQUIPMENT IS SWITCHED OVER TO MCC-EB1-2. CONDUIT AND WIRE ARE TEMPORARY AND SHALL BE REMOVED AFTER BEING DISCONNECTED.



SECTION 1	SECTION 2	SECTION 3
1A	2A	3A
		3B
1B	2B	3C
		3D
		3E
1C	2C	3F
		3G
		3H
		3I
		3J

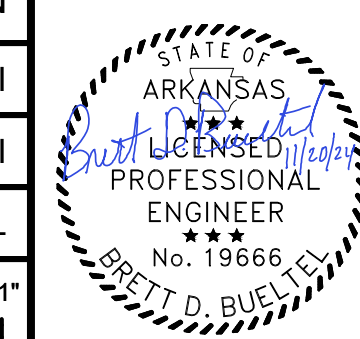
DC3B ELEVATION
N.T.S.

GMP SUBMITTAL. DO NOT USE FOR CONSTRUCTION.

File: C:\USERS\NINELSON\ACCD\DC3B\HAZEN AND SAWYER\60711-001_WILSON_WTP_REHAB_FILTER_BASINPROJECT FILES\00_ELECTRICAL\E029 Saved by SREXHEPI Save date: 11/19/2024 12:02 AM PLOT DATE: 11/19/2024 1:48 PM BY: NINELSON

REV	ISSUED FOR	DATE	BY

PROJECT MANAGER:	T. HUDSON
DESIGNED BY:	S. REXHEPI
DRAWN BY:	S. REXHEPI
PROJECT ENGINEER:	B. BUELTEL
IF THIS BAR DOES NOT MEASURE 1" THEN DRAWING IS NOT TO FULL SCALE	0 1/2" 1"



Hazen

HAZEN AND SAWYER
8150 N. CENTRAL EXPRESSWAY
TOWER II - SUITE 700
DALLAS, TEXAS 75206

CENTRAL ARKANSAS WATER
LITTLE ROCK, ARKANSAS

JACK H. WILSON WTP RENEWAL AND
RESILIENCY PROJECT

HAZEN AND SAWYER
LITTLE ROCK, ARKANSAS

FILTER BUILDING
ELECTRICAL
DC3B SINGLE-LINE DIAGRAM AND ELEVATION

DATE:	NOVEMBER 2024
HAZEN NO.:	60711-003
CONTRACT NO.:	1
DRAWING NUMBER:	E3029

NOTES:

- LIGHTING AND RECEPTACLE CIRCUITS SHALL UTILIZE 2/12, #12GND IN 3/4" CONDUIT UNLESS OTHERWISE NOTED.
- RECONNECT EXISTING LOADS TO NEW PANEL. INTERCEPT EXISTING CIRCUITS IN CEILING SPACE, INSTALL JBOX, AND EXTEND CIRCUITS TO NEW PANEL LOCATION.
- FURNISH AND INSTALL NEW 20A, 120V, SINGLE POLE CIRCUIT BREAKER TO SUPPLY NEW LOAD AS SHOWN. FURNISH AND SUPPLY LOCK-OFF DEVICES WHERE INDICATED IN PROPOSED SCHEDULE.

208/120 VOLTS 3 PHASE, 4 WIRE				PANEL M MAIN BREAKER 40A 3P				TYPE: NEMA 4X MOUNT: SURFACE								
MODS	DESCRIPTION	WIRE	TRIP	POLE	CKT No.	VOLT-AMPERES			CKT No.	POLE	TRIP	WIRE	DESCRIPTION	MODS		
						A	B	C								
LFD	UNKNOWN		20	1	1	-	-	-	2	1	20		110 VOLT RECEPT	LFD		
LFD	SPARE		20	1	3	-	-	-	4	1	20		VENT FAN LOUVER	LFD		
LFD	SPARE		20	1	5	-	-	-	6	1	20		VENT FAN LOUVER	LFD		
LFD	SPARE		20	1	7	-	-	-	8	1	20		SPARE	LFD		
LFD	SPARE		20	1	9	-	-	-	10	1	20		SPARE	LFD		
LFD	SPARE		20	1	11	-	-	-	12	1	20		SPARE	LFD		
	SPACE		20	1	13	-	-	-	14	1			SPACE	LFD		
	SPACE		20	1	15	-	-	-	16	1			SPACE	LFD		
	SPACE		20	1	17	-	-	-	18	1			SPACE	LFD		
	SPACE		20	1	19	-	-	-	20	1			SPACE	LFD		
	SPACE		20	1	21	-	-	-	22	1			SPACE	LFD		
	SPACE		20	1	23	-	-	-	24	1			SPACE	LFD		
TOTAL						0	0	0	TOTAL							
PHASE TOTAL						0	830	0	TOTAL LOAD (VA)				830			
0						830	0	TOTAL LOAD (A)				2				

MODIFICATION (MODS) LEGEND:
 EPD - GROUND FAULT CIRCUIT INTERRUPTER (30mA)
 GFCI - GROUND FAULT CIRCUIT INTERRUPTER (5mA)
 LOD - LOCK-ON DEVICE
 LFD - LOCK-OFF DEVICE

NOTES:
 10kAIC
 100kA SPD

SEE NOTE 2, TYP

208/120 VOLTS 3 PHASE, 4 WIRE				PANEL WIL-UPS MAIN BREAKER 100A 3P				TYPE: NEMA 4X MOUNT: SURFACE								
MODS	DESCRIPTION	WIRE	TRIP	POLE	CKT No.	VOLT-AMPERES			CKT No.	POLE	TRIP	WIRE	DESCRIPTION	MODS		
						A	B	C								
LFD	MAG METERS (PH)		20	1	1	-	-	-	2	1	20		FILTER #5	LFD		
LFD	WIL 2		20	1	3	-	-	-	4	1	20		SPARE	LFD		
LFD	SPARE WIL2		20	1	5	-	-	-	6	1	20		REC WIL 3	LFD		
LFD	SPARE WIL1		20	1	7	-	-	-	8	1	20		REC WIL 3	LFD		
LFD	WIL 1		20	1	9	-	-	-	10	1	20		REC WIL 3	LFD		
LFD	ADP 201 & 401 SECURITY PANELS		20	1	11	-	-	-	12	1	20		REC WIL 4	LFD		
LFD	CONTROL ROOM FLOOR RECEPTACLES	SEE NOTE 1	20	1	13	-	-	-	14	1	20		REC WIL 4	LFD		
LFD	SPARE		20	1	15	-	-	-	16	1	20		FILTER #2	LFD		
LFD	SPARE		20	1	17	-	-	-	18	1	20		FILTER #3	LFD		
LFD	SPARE		20	1	19	-	-	-	20	1	20		FILTER #4	LFD		
			20	1	21	-	-	-	22	1	20		FILTER #7	LFD		
LFD	SURGE ARRESTOR		20	1	23	-	-	-	24	1	20		FILTER #6	LFD		
LFD	FILTER #1		20	1	25	-	-	-	26	1	20		FILTER CONTROLS #5-#8	LFD		
LFD	FILTER #8		20	1	27	-	-	-	28	1	20		SERVER CABINET	LFD		
LFD	FILTER #9		20	1	29	-	-	-	30	1	20		MARSHALLING	LFD		
LFD	FILTER #12		20	1	31	-	-	-	32	1	20		BACKUP PANEL	LFD		
LFD	FILTER #11		20	1	33	-	-	-	34	1	20		HUB ROUTER	LFD		
LFD	FILTER #10		20	1	35	-	-	-	36	1	20		FILE SERVER	LFD		
LFD	FILTER #13		20	1	37	-	-	-	38	1	20		FILTER #15	LFD		
LFD	FILTER #14		20	1	39	-	-	-	40	1	20		FILTER #16	LFD		
LFD			20	1	41	-	-	-	42	1	20			LFD		
TOTAL						0	0	0	TOTAL							
PHASE TOTAL						0	0	0	TOTAL LOAD (VA)				0			
0						0	0	0	TOTAL LOAD (A)				0			

MODIFICATION (MODS) LEGEND:
 EPD - GROUND FAULT CIRCUIT INTERRUPTER (30mA)
 GFCI - GROUND FAULT CIRCUIT INTERRUPTER (5mA)
 LOD - LOCK-ON DEVICE
 LFD - LOCK-OFF DEVICE

NOTES:
 10kAIC
 100kA SPD

SEE NOTE 2, TYP

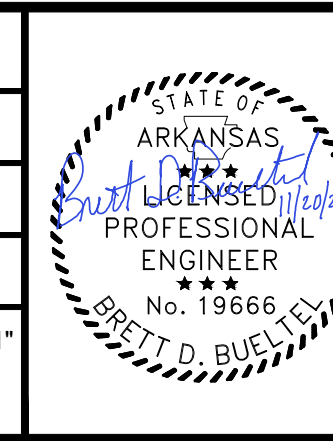
SEE NOTE 3

GMP SUBMITTAL. DO NOT USE FOR CONSTRUCTION.

File: C:\USERS\NINELSON\Documents\HAZEN AND SAWYER\60711-001_WILSON_WTP_REHAB_FILTER_BASINPROJECT FILES\00_ELECTRICAL\E3030 Saved by: SREXHEPI Save date: 11/17/2024 4:10 PM PLOT DATE: 11/19/2024 1:46 PM BY: NINELSON

REV	ISSUED FOR	DATE	BY

PROJECT MANAGER:	T. HUDSON
DESIGNED BY:	S. REXHEPI
DRAWN BY:	S. REXHEPI
PROJECT ENGINEER:	B. BUELTEL
IF THIS BAR DOES NOT MEASURE 1" THEN DRAWING IS NOT TO FULL SCALE	0 1/2" 1"



Hazen
 HAZEN AND SAWYER
 8150 N. CENTRAL EXPRESSWAY
 TOWER II - SUITE 700
 DALLAS, TEXAS 75206

CENTRAL ARKANSAS WATER
 LITTLE ROCK, ARKANSAS

JACK H. WILSON WTP RENEWAL AND
 RESILIENCY PROJECT

FILTER BUILDING
 ELECTRICAL
 PANEL SCHEDULES AND RISER DIAGRAMS I

DATE:	NOVEMBER 2024
HAZEN NO.:	60711-003
CONTRACT NO.:	1
DRAWING NUMBER:	E3030

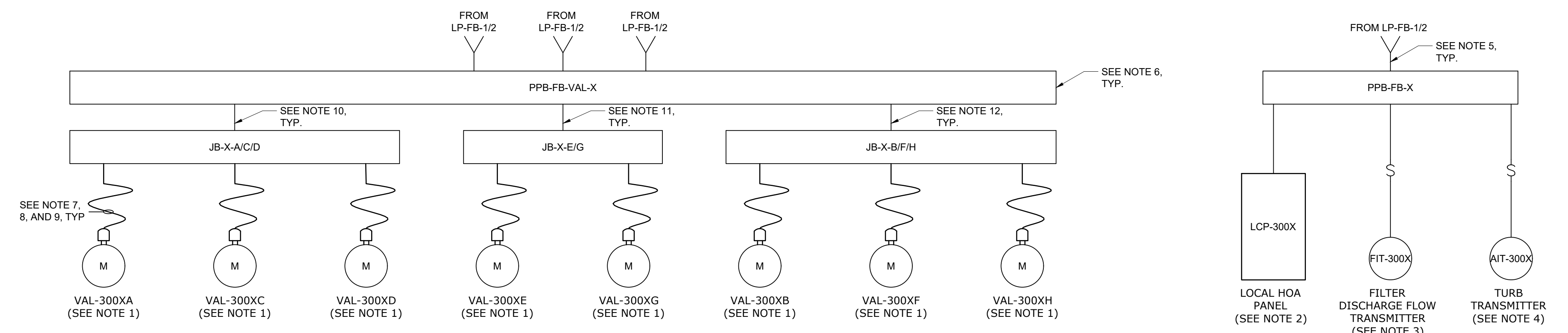
208/120 VOLTS 3 PHASE, 4 WIRE				LP-FB-1/2 MAIN BREAKER 100A 3P				TYPE: NEMA 4X MOUNT: SURFACE												
MODS	DESCRIPTION	WIRE	TRIP	POLE	CKT No.	VOLT-AMPERES			CKT No.	POLE	TRIP	WIRE	DESCRIPTION	MODS						
						A	B	C												
LFD	VAL-3001A	P-3000-030	10	1	1	60			2	1	10	P-3000-041	VAL-3003A	LFD						
LFD	VAL-3001B	P-3000-031	10	1	3		60		4	1	10	P-3000-042	VAL-3003B	LFD						
LFD	VAL-3001C	P-3000-032	10	1	5			60	6	1	10	P-3000-043	VAL-3003C	LFD						
LFD	VAL-3001D	P-3000-033	10	1	7	60			8	1	10	P-3000-044	VAL-3003D	LFD						
LFD	VAL-3001E	P-3000-034	10	1	9		60		10	1	10	P-3000-045	VAL-3003E	LFD						
LFD	VAL-3001F	P-3000-035	10	1	11			60	12	1	10	P-3000-046	VAL-3003F	LFD						
LFD	VAL-3001G	P-3000-036	10	1	13	60			14	1	10	P-3000-047	VAL-3003G	LFD						
LFD	VAL-3001H	P-3000-037	10	1	15		60		16	1	10	P-3000-048	VAL-3003H	LFD						
LFD	LCP-3001	P-3000-038	20	1	17			500	18	1	20	P-3000-049	LCP-3003	LFD						
LFD	FIT-3001	P-3000-039	20	1	19	100			20	1	20	P-3000-050	FIT-3003	LFD						
LFD	AIT-3001	P-3000-040	20	1	21		100		22	1	20	P-3000-051	AIT-3003	LFD						
LFD	VAL-3005A	P-3000-052	10	1	23			60	24	1	10	P-3000-063	VAL-3007A	LFD						
LFD	VAL-3005B	P-3000-053	10	1	25	60			26	1	10	P-3000-064	VAL-3007B	LFD						
LFD	VAL-3005C	P-3000-054	10	1	27		60		28	1	10	P-3000-065	VAL-3007C	LFD						
LFD	VAL-3005D	P-3000-055	10	1	29			60	30	1	10	P-3000-066	VAL-3007D	LFD						
LFD	VAL-3005E	P-3000-056	10	1	31	60			32	1	10	P-3000-067	VAL-3007E	LFD						
LFD	VAL-3005F	P-3000-057	10	1	33		60		34	1	10	P-3000-068	VAL-3007F	LFD						
LFD	VAL-3005G	P-3000-058	10	1	35	60		60	36	1	10	P-3000-069	VAL-3007G	LFD						
LFD	VAL-3005H	P-3000-059	10	1	37		60		38	1	10	P-3000-070	VAL-3007H	LFD						
LFD	LCP-3005	P-3000-060	20	1	39			500	40	1	20	P-3000-071	LCP-3007	LFD						
LFD	FIT-3005	P-3000-061	20	1	41	100			42	1	20	P-3000-072	FIT-3007	LFD						
LFD	AIT-3005	P-3000-062	20	1	43		100		44	1	20	P-3000-073	AIT-3007	LFD						
LFD	AIT-3001A	P-3000-270	20	1	45				46	1	20		SPARE	LFD						
LFD	SPARE		20	1	47				48	1	20		SPARE	LFD						
LFD	SPARE		20	1	49				50	1				LFD						
LFD	SPARE		20	1	51				52	1	60	P-3000-005	LP-FB-3/4	LFD						
LFD	SPARE		20	1	53				54	1				LFD						
TOTAL						560	560	1,400	TOTAL						1,680	2,460	3,100	TOTAL		
PHASE TOTAL						2,240	3,020	4,500	TOTAL LOAD (VA)						9,760					
TOTAL LOAD (A)						27														

MODIFICATION (MODS) LEGEND:
 EPD - GROUND FAULT CIRCUIT INTERRUPTER (30mA)
 GFCI - GROUND FAULT CIRCUIT INTERRUPTER (5mA)
 LOD - LOCK-ON DEVICE
 LFD - LOCK-OFF DEVICE

NOTES:
 10KAIC
 100KA SPD

- NOTES:
- RISER IS TYPICAL FOR ALL VALVES.
 - RISER IS TYPICAL FOR ALL CONTROL PANELS.
 - RISER IS TYPICAL FOR ALL FLOW TRANSMITTERS.
 - RISER IS TYPICAL FOR ALL TURBIDITY TRANSMITTERS.
 - POWER CONDUCTORS FOR EACH SET OF 3 INSTRUMENT TRANSMITTERS AT FILTER SHALL BE COMBINED INTO ONE CONDUIT FOR HOMERUN BACK TO PANEL. TYPICAL OF ALL 16 FILTERS.
 - POWER CONDUCTORS FOR EACH SET OF 8 VALVES SHALL BE COMBINED IN PULL BOX INTO 3 CONDUIT FOR HOMERUN BACK TO PANEL. TYPICAL OF ALL 16 FILTERS.
 - PROVIDE FLEXIBLE POWER PIGTAIL CORD AND PLUG AS SPECIFIED IN SECTION 26 05 19. TERMINATE CONDUCTORS IN JUNCTION BOX WITH TERMINAL STRIPS. INSTALL MINI CHANGE, A-SIZE 3 POLE, FEMALE RECEPTACLE INTO CONDUIT HUB ON MOTOR ACTUATOR FOR POWER CONNECTION.
 - PROVIDE FLEXIBLE CONTROLS PIGTAIL CORD AND PLUG AS SPECIFIED IN SECTION 26 05 19. TERMINATE CONDUCTORS IN JUNCTION BOX WITH TERMINAL STRIPS. INSTALL MINI CHANGE, C-SIZE 10 POLE, MALE RECEPTACLE INTO CONDUIT HUB ON MOTOR ACTUATOR FOR CONTROLS CONNECTION.
 - POWER AND CONTROLS WIRING SHALL TERMINATE IN SAME JUNCTION BOX. PIGTAIL CORDS FOR BOTH POWER AND CONTROLS FROM JUNCTION BOX TO ACTUATOR SHALL BE RAN IN SAME CONDUIT. SEE SHEET E3205 FOR CONTROLS CONNECTION FROM CP-WIL-BLWR TO JUNCTION BOX.
 - POWER CONDUCTORS FOR EACH SET OF 3 VALVES (VAL-300XA, C, AND D) SHALL BE COMBINED IN JUNCTION BOX FOR RUN BACK TO PULL BOX. TYPICAL OF ALL 16 FILTERS.
 - POWER CONDUCTORS FOR EACH SET OF 2 VALVES (VAL-300XE AND G) SHALL BE COMBINED IN JUNCTION BOX FOR RUN BACK TO PULL BOX. TYPICAL OF ALL 16 FILTERS.
 - POWER CONDUCTORS FOR EACH SET OF 3 VALVES (VAL-300XB, F, AND H) SHALL BE COMBINED IN JUNCTION BOX FOR RUN BACK TO PULL BOX. TYPICAL OF ALL 16 FILTERS.

FILTER BUILDING EQUIPMENT SCHEDULE										
FILTER No.	VAL-300XX	LCP-300X	FIT-300X	AIT-300X	PPB-FB-VAL-X	PPB-FB-X	JB-X-A/C/D	JB-X-E/G	JB-X-B/F/H	
FILTER 1	VAL-3001A	LCP-3001	FIT-3001	AIT-3001	PPB-FB-VAL-1	PPB-FB-1	JB-1-A/C/D	JB-1-E/G	JB-1-B/F/H	
	VAL-3001B									
	VAL-3001C									
	VAL-3001D									
	VAL-3001E									
	VAL-3001F									
	VAL-3001G									
	VAL-3001H									
FILTER 3	VAL-3003A	LCP-3003	FIT-3003	AIT-3003	PPB-FB-VAL-3	PPB-FB-3	JB-3-A/C/D	JB-3-E/G	JB-3-B/F/H	
	VAL-3003B									
	VAL-3003C									
	VAL-3003D									
	VAL-3003E									
	VAL-3003F									
	VAL-3003G									
	VAL-3003H									
FILTER 5	VAL-3005A	LCP-3005	FIT-3005	AIT-3005	PPB-FB-VAL-5	PPB-FB-5	JB-5-A/C/D	JB-5-E/G	JB-5-B/F/H	
	VAL-3005B									
	VAL-3005C									
	VAL-3005D									
	VAL-3005E									
	VAL-3005F									
	VAL-3005G									
	VAL-3005H									
FILTER 7	VAL-3007A	LCP-3007	FIT-3007	AIT-3007	PPB-FB-VAL-7	PPB-FB-7	JB-7-A/C/D	JB-7-E/G	JB-7-B/F/H	
	VAL-3007B									
	VAL-3007C									
	VAL-3007D									
	VAL-3007E									
	VAL-3007F									
	VAL-3007G									
	VAL-3007H									



GMP SUBMITTAL. DO NOT USE FOR CONSTRUCTION.

File: C:\USERS\NINNELSON\ACCDC\HASEN AND SAWYER\60711-001_WILSON_WTP_REHAB_FILTER_BUILDING_ELECTRICAL\E3032_Plot.dwg
 PLOT DATE: 11/19/2024 1:48 PM BY: NINNELSON

PROJECT MANAGER:	T. HUDSON		
DESIGNED BY:	S. REXHEPI		
DRAWN BY:	S. REXHEPI		
PROJECT ENGINEER:	B. BUELTEL		
IF THIS BAR DOES NOT MEASURE 1" THEN DRAWING IS NOT TO FULL SCALE	0 1/2" 1"		
REV	ISSUED FOR	DATE	BY



Hazen
 HAZEN AND SAWYER
 8150 N. CENTRAL EXPRESSWAY
 TOWER II - SUITE 700
 DALLAS, TEXAS 75206

CENTRAL ARKANSAS WATER
 LITTLE ROCK, ARKANSAS
 JACK H. WILSON WTP RENEWAL AND
 RESILIENCY PROJECT

FILTER BUILDING
 ELECTRICAL
 PANEL SCHEDULES AND RISER DIAGRAMS III

DATE:	NOVEMBER 2024
HAZEN NO.:	60711-003
CONTRACT NO.:	1
DRAWING NUMBER:	E3032

208/120 VOLTS 3 PHASE, 4 WIRE										LP-FB-3/4 MAIN LUGS ONLY 60A 3P				TYPE: NEMA 4X MOUNT: SURFACE			
MODS	DESCRIPTION	WIRE	TRIP	POLE	CKT No.	VOLT-AMPERES			VOLT-AMPERES	CKT No.	POLE	TRIP	WIRE	DESCRIPTION	MODS		
						A	B	C								A	B
LFD	VAL-3002A	P-3000-074	10	1	1	60			60	2	1	10	P-3000-085	VAL-3004A	LFD		
LFD	VAL-3002B	P-3000-075	10	1	3			60		4	1	10	P-3000-086	VAL-3004B	LFD		
LFD	VAL-3002C	P-3000-076	10	1	5				60	6	1	10	P-3000-087	VAL-3004C	LFD		
LFD	VAL-3002D	P-3000-077	10	1	7	60				8	1	10	P-3000-088	VAL-3004D	LFD		
LFD	VAL-3002E	P-3000-078	10	1	9			60		10	1	10	P-3000-089	VAL-3004E	LFD		
LFD	VAL-3002F	P-3000-079	10	1	11				60	12	1	10	P-3000-090	VAL-3004F	LFD		
LFD	VAL-3002G	P-3000-080	10	1	13	60				14	1	10	P-3000-091	VAL-3004G	LFD		
LFD	VAL-3002H	P-3000-081	10	1	15			60		16	1	10	P-3000-092	VAL-3004H	LFD		
LFD	LCP-3002	P-3000-082	20	1	17				500	18	1	20	P-3000-093	LCP-3004	LFD		
LFD	FIT-3002	P-3000-083	20	1	19	100				20	1	20	P-3000-094	FIT-3004	LFD		
LFD	AIT-3002	P-3000-084	20	1	21		100			22	1	20	P-3000-095	AIT-3004	LFD		
LFD	VAL-3006A	P-3000-096	10	1	1				60	2	1	10	P-3000-107	VAL-3008A	LFD		
LFD	VAL-3006B	P-3000-097	10	1	3	60				4	1	10	P-3000-108	VAL-3008B	LFD		
LFD	VAL-3006C	P-3000-098	10	1	5			60		6	1	10	P-3000-109	VAL-3008C	LFD		
LFD	VAL-3006D	P-3000-099	10	1	7				60	8	1	10	P-3000-110	VAL-3008D	LFD		
LFD	VAL-3006E	P-3000-100	10	1	9	60				10	1	10	P-3000-111	VAL-3008E	LFD		
LFD	VAL-3006F	P-3000-101	10	1	11			60		12	1	10	P-3000-112	VAL-3008F	LFD		
LFD	VAL-3006G	P-3000-102	10	1	13				60	14	1	10	P-3000-113	VAL-3008G	LFD		
LFD	VAL-3006H	P-3000-103	10	1	15	60				16	1	10	P-3000-114	VAL-3008H	LFD		
LFD	LCP-3006	P-3000-104	20	1	17				500	18	1	20	P-3000-115	LCP-3008	LFD		
LFD	FIT-3006	P-3000-105	20	1	19					20	1	20	P-3000-116	FIT-3008	LFD		
LFD	AIT-3006	P-3000-106	20	1	21	100				22	1	20	P-3000-117	AIT-3008	LFD		
LFD	AIT-3008A	P-3000-274	20	1	23		100			24	1	20		SPARE	LFD		
LFD	SPARE				25					26	1	20		SPARE	LFD		
LFD	SPARE				27					28	1	20		SPARE	LFD		
LFD	SPARE				29					30	1	20		SPARE	LFD		
LFD	SPARE				31					32	1	20		SPARE	LFD		

TOTAL	560	1,000	900	
PHASE TOTAL				
	1,120	1,900	1,800	

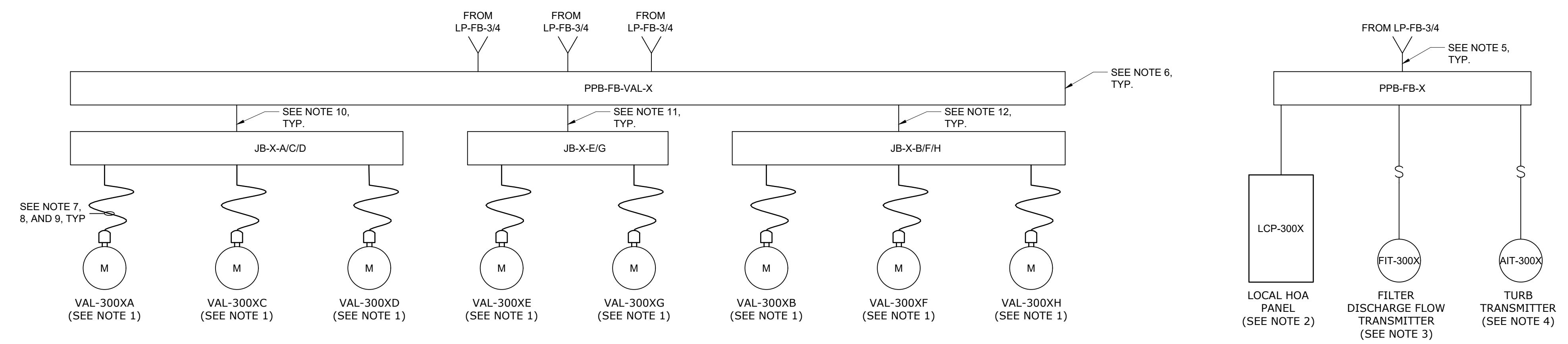
560	900	900	TOTAL
TOTAL LOAD (VA)			
4,820			
TOTAL LOAD (A)			
13			

MODIFICATION (MODS) LEGEND:
 EPD - GROUND FAULT CIRCUIT INTERRUPTER (30mA)
 GFCI - GROUND FAULT CIRCUIT INTERRUPTER (5mA)
 LOD - LOCK-ON DEVICE
 LFD - LOCK-OFF DEVICE

NOTES:
 10KAIC

- NOTES:
- RISER IS TYPICAL FOR ALL VALVES.
 - RISER IS TYPICAL FOR ALL LEVEL TRANSMITTERS.
 - RISER IS TYPICAL FOR ALL FLOW TRANSMITTERS.
 - RISER IS TYPICAL FOR ALL TURBIDITY TRANSMITTERS.
 - POWER CONDUCTORS FOR EACH SET OF 3 INSTRUMENT TRANSMITTERS AT FILTER SHALL BE COMBINED INTO ONE CONDUIT FOR HOMERUN BACK TO PANEL. TYPICAL OF ALL 16 FILTERS.
 - POWER CONDUCTORS FOR EACH SET OF 8 VALVES SHALL BE COMBINED IN PULL BOX INTO 3 CONDUIT FOR HOMERUN BACK TO PANEL. TYPICAL OF ALL 16 FILTERS.
 - PROVIDE FLEXIBLE POWER PIGTAIL CORD AND PLUG AS SPECIFIED IN SECTION 26 05 19. TERMINATE CONDUCTORS IN JUNCTION BOX WITH TERMINAL STRIPS. INSTALL MINI CHANGE, A-SIZE 3 POLE, FEMALE RECEPTACLE INTO CONDUIT HUB ON MOTOR ACTUATOR FOR POWER CONNECTION.
 - PROVIDE FLEXIBLE CONTROLS PIGTAIL CORD AND PLUG AS SPECIFIED IN SECTION 26 05 19. TERMINATE CONDUCTORS IN JUNCTION BOX WITH TERMINAL STRIPS. INSTALL MINI CHANGE, C-SIZE 10 POLE, MALE RECEPTACLE INTO CONDUIT HUB ON MOTOR ACTUATOR FOR CONTROLS CONNECTION.
 - POWER AND CONTROLS WIRING SHALL TERMINATE IN SAME JUNCTION BOX. PIGTAIL CORDS FOR BOTH POWER AND CONTROLS FROM JUNCTION BOX TO ACTUATOR SHALL BE RAN IN SAME CONDUIT. SEE SHEET E3205 FOR CONTROLS CONNECTION FROM CP-WIL-BLWR TO JUNCTION BOX.
 - POWER CONDUCTORS FOR EACH SET OF 3 VALVES (VAL-300XA, C, AND D) SHALL BE COMBINED IN JUNCTION BOX FOR RUN BACK TO PULL BOX. TYPICAL OF ALL 16 FILTERS.
 - POWER CONDUCTORS FOR EACH SET OF 2 VALVES (VAL-300XB, F, AND H) SHALL BE COMBINED IN JUNCTION BOX FOR RUN BACK TO PULL BOX. TYPICAL OF ALL 16 FILTERS.

FILTER BUILDING EQUIPMENT SCHEDULE										
FILTER No.	VAL-300XX	LCP-300X	FIT-300X	AIT-300X	PPB-FB-VAL-X	PPB-FB-X	JB-X-A/C/D	JB-X-E/G	JB-X-B/F/H	
FILTER 2	VAL-3002A	LCP-3002	FIT-3002	AIT-3002	PPB-FB-VAL-2	PPB-FB-2	JB-2-A/C/D	JB-2-E/G	JB-2-B/F/H	
	VAL-3002B									
	VAL-3002C									
	VAL-3002D									
	VAL-3002E									
	VAL-3002F									
	VAL-3002G									
	VAL-3002H									
FILTER 4	VAL-3004A	LCP-3004	FIT-3004	AIT-3004	PPB-FB-VAL-4	PPB-FB-4	JB-4-A/C/D	JB-4-E/G	JB-4-B/F/H	
	VAL-3004B									
	VAL-3004C									
	VAL-3004D									
	VAL-3004E									
	VAL-3004F									
	VAL-3004G									
	VAL-3004H									
FILTER 6	VAL-3006A	LCP-3006	FIT-3006	AIT-3006	PPB-FB-VAL-6	PPB-FB-6	JB-6-A/C/D	JB-6-E/G	JB-6-B/F/H	
	VAL-3006B									
	VAL-3006C									
	VAL-3006D									
	VAL-3006E									
	VAL-3006F									
	VAL-3006G									
	VAL-3006H									
FILTER 8	VAL-3008A	LCP-3008	FIT-3008	AIT-3008	PPB-FB-VAL-8	PPB-FB-8	JB-8-A/C/D	JB-8-E/G	JB-8-B/F/H	
	VAL-3008B									
	VAL-3008C									
	VAL-3008D									
	VAL-3008E									
	VAL-3008F									
	VAL-3008G									
	VAL-3008H									

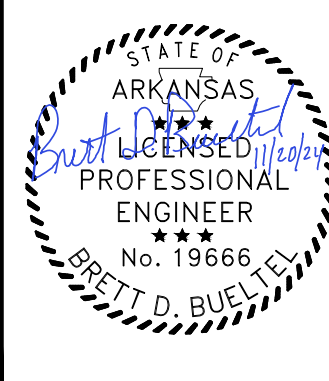


GMP SUBMITTAL. DO NOT USE FOR CONSTRUCTION.

File: C:\USERS\NINNELSON\ACCD\CCSHAZEN AND SAWYER\60711-001_WILSON_WTP_REHAB_FILTER_BASINPROJECT FILES\00_ELECTRICAL\E3033 Saved by SREXHEPI Save date: 11/19/2024 12:05 AM
 PLOT DATE: 11/19/2024 1:48 PM BY: NINNELSON

REV	ISSUED FOR	DATE	BY

PROJECT MANAGER:	T. HUDSON
DESIGNED BY:	S. REXHEPI
DRAWN BY:	S. REXHEPI
PROJECT ENGINEER:	B. BUELTEL
IF THIS BAR DOES NOT MEASURE 1" THEN DRAWING IS NOT TO FULL SCALE	
0	1/2" 1"



Hazen
 HAZEN AND SAWYER
 8150 N. CENTRAL EXPRESSWAY
 TOWER II - SUITE 700
 DALLAS, TEXAS 75206

CENTRAL ARKANSAS WATER
 LITTLE ROCK, ARKANSAS
 JACK H. WILSON WTP RENEWAL AND
 RESILIENCY PROJECT

FILTER BUILDING
 ELECTRICAL
 PANEL SCHEDULES AND RISER DIAGRAMS IV

DATE:	NOVEMBER 2024
HAZEN NO.:	60711-003
CONTRACT NO.:	1
DRAWING NUMBER:	E3033

208/120 VOLTS 3 PHASE, 4 WIRE				LP-FB-7/8 MAIN LUGS ONLY 60A 3P				TYPE: NEMA 4X MOUNT: SURFACE							
MODS	DESCRIPTION	WIRE	TRIP	POLE	CKT No.	VOLT-AMPERES			VOLT-AMPERES	CKT No.	POLE	TRIP	WIRE	DESCRIPTION	MODS
						A	B	C							
LFD	VAL-3010A	P-3000-162	10	1	1	60			60	2	1	10	P-3000-173	VAL-3012A	LFD
LFD	VAL-3010B	P-3000-163	10	1	3		60		60	4	1	10	P-3000-174	VAL-3012B	LFD
LFD	VAL-3010C	P-3000-164	10	1	5			60	60	6	1	10	P-3000-175	VAL-3012C	LFD
LFD	VAL-3010D	P-3000-165	10	1	7	60			60	8	1	10	P-3000-176	VAL-3012D	LFD
LFD	VAL-3010E	P-3000-166	10	1	9		60		60	10	1	10	P-3000-177	VAL-3012E	LFD
LFD	VAL-3010F	P-3000-167	10	1	11			60	60	12	1	10	P-3000-178	VAL-3012F	LFD
LFD	VAL-3010G	P-3000-168	10	1	13	60			60	14	1	10	P-3000-179	VAL-3012G	LFD
LFD	VAL-3010H	P-3000-169	10	1	15		60		60	16	1	10	P-3000-180	VAL-3012H	LFD
LFD	LCP-3010	P-3000-170	20	1	17			500	500	18	1	20	P-3000-181	LCP-3012	LFD
LFD	FIT-3010	P-3000-171	20	1	19	100			100	20	1	20	P-3000-182	FIT-3012	LFD
LFD	AIT-3010	P-3000-172	20	1	21		100		100	22	1	20	P-3000-183	AIT-3012	LFD
LFD	FSH-BASEMENT GALLERY EYEWASH	P-3000-240	20	1	23			100	100	24	1	20	P-3000-241	FSH-LOADING DOCK AREA EYEWASH	LFD
LFD	VAL-3014A	P-3000-184	10	1	25	60			60	26	1	10	P-3000-201	VAL-3016A	LFD
LFD	VAL-3014B	P-3000-185	10	1	27		60		60	28	1	10	P-3000-202	VAL-3016B	LFD
LFD	VAL-3014C	P-3000-186	10	1	29			60	60	30	1	10	P-3000-203	VAL-3016C	LFD
LFD	VAL-3014D	P-3000-187	10	1	31	60			60	32	1	10	P-3000-204	VAL-3016D	LFD
LFD	VAL-3014E	P-3000-188	10	1	33		60		60	34	1	10	P-3000-205	VAL-3016E	LFD
LFD	VAL-3014F	P-3000-189	10	1	35			60	60	36	1	10	P-3000-206	VAL-3016F	LFD
LFD	VAL-3014G	P-3000-190	10	1	37	60			60	38	1	10	P-3000-207	VAL-3016G	LFD
LFD	VAL-3014H	P-3000-191	10	1	39		60		60	40	1	10	P-3000-208	VAL-3016H	LFD
LFD	LCP-3014	P-3000-192	20	1	41			500	500	42	1	20	P-3000-209	LCP-3016	LFD
LFD	FIT-3014	P-3000-193	20	1	43	100			100	44	1	20	P-3000-210	FIT-3016	LFD
LFD	AIT-3014	P-3000-194	20	1	45		100		100	46	1	20	P-3000-211	AIT-3016	LFD
LFD	AIT-3016A	P-3000-294	20	1	47			100	60	48	1	20	P-3000-199	BACKWASH SUPPLY LINE - 24" MAGNETIC FLOW METER	LFD
LFD	SPARE		20	1	49	-			60	50	1	20	P-3000-200	VAL-3070	LFD
LFD	SPARE		20	1	51	-			-	52	1	20		SPARE	LFD
LFD	SPARE		20	1	53	-			-	54	1	20		SPARE	LFD
LFD	SPARE		20	1	55	-			-	56	1	20		SPARE	LFD

TOTAL	560	560	1,440
PHASE TOTAL			
	1,180	1,120	2,840

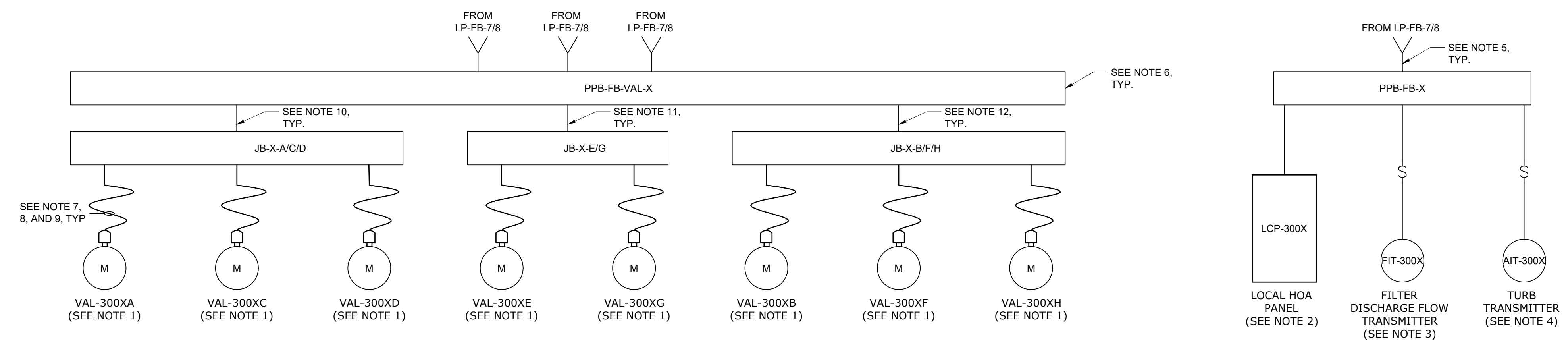
620	560	1,400	TOTAL
TOTAL LOAD (VA)			
5,140			
TOTAL LOAD (A)			
14			

MODIFICATION (MODS) LEGEND:
 EPD - GROUND FAULT CIRCUIT INTERRUPTER (30mA)
 GFCI - GROUND FAULT CIRCUIT INTERRUPTER (5mA)
 LOD - LOCK-ON DEVICE
 LFD - LOCK-OFF DEVICE

NOTES:
 10KAIC

- NOTES:
- RISER IS TYPICAL FOR ALL VALVES.
 - RISER IS TYPICAL FOR ALL LEVEL TRANSMITTERS.
 - RISER IS TYPICAL FOR ALL FLOW TRANSMITTERS.
 - RISER IS TYPICAL FOR ALL TURBIDITY TRANSMITTERS.
 - POWER CONDUCTORS FOR EACH SET OF 3 INSTRUMENT TRANSMITTERS AT FILTER SHALL BE COMBINED INTO ONE CONDUIT FOR HOMERUN BACK TO PANEL. TYPICAL OF ALL 16 FILTERS.
 - POWER CONDUCTORS FOR EACH SET OF 8 VALVES SHALL BE COMBINED IN PULL BOX INTO 3 CONDUIT FOR HOMERUN BACK TO PANEL. TYPICAL OF ALL 16 FILTERS.
 - PROVIDE FLEXIBLE POWER PIGTAIL CORD AND PLUG AS SPECIFIED IN SECTION 26 05 19. TERMINATE CONDUCTORS IN JUNCTION BOX WITH TERMINAL STRIPS. INSTALL MINI CHANGE, A-SIZE 3 POLE, FEMALE RECEPTACLE INTO CONDUIT HUB ON MOTOR ACTUATOR FOR POWER CONNECTION.
 - PROVIDE FLEXIBLE CONTROLS PIGTAIL CORD AND PLUG AS SPECIFIED IN SECTION 26 05 19. TERMINATE CONDUCTORS IN JUNCTION BOX WITH TERMINAL STRIPS. INSTALL MINI CHANGE, C-SIZE 10 POLE, MALE RECEPTACLE INTO CONDUIT HUB ON MOTOR ACTUATOR FOR CONTROLS CONNECTION.
 - POWER AND CONTROLS WIRING SHALL TERMINATE IN SAME JUNCTION BOX. PIGTAIL CORDS FOR BOTH POWER AND CONTROLS FROM JUNCTION BOX TO ACTUATOR SHALL BE RAN IN SAME CONDUIT. SEE SHEET E3205 FOR CONTROLS CONNECTION FROM CP-WL-BLWR TO JUNCTION BOX.
 - POWER CONDUCTORS FOR EACH SET OF 3 VALVES (VAL-300XA, C, AND D) SHALL BE COMBINED IN JUNCTION BOX FOR RUN BACK TO PULL BOX. TYPICAL OF ALL 16 FILTERS.
 - POWER CONDUCTORS FOR EACH SET OF 2 VALVES (VAL-300XE AND G) SHALL BE COMBINED IN JUNCTION BOX FOR RUN BACK TO PULL BOX. TYPICAL OF ALL 16 FILTERS.
 - POWER CONDUCTORS FOR EACH SET OF 3 VALVES (VAL-300XB, F, AND H) SHALL BE COMBINED IN JUNCTION BOX FOR RUN BACK TO PULL BOX. TYPICAL OF ALL 16 FILTERS.

FILTER BUILDING EQUIPMENT SCHEDULE									
FILTER No.	VAL-300XX	LCP-300X	FIT-300X	AIT-300X	PPB-FB-VAL-X	PPB-FB-X	JB-X-A/C/D	JB-X-E/G	JB-X-B/F/H
FILTER 9	VAL-3009A	LCP-3009	FIT-3009	AIT-3009	PPB-FB-VAL-9	PPB-FB-9	JB-9-A/C/D	JB-9-E/G	JB-9-B/F/H
	VAL-3009B								
	VAL-3009C								
	VAL-3009D								
	VAL-3009E								
	VAL-3009F								
	VAL-3009G								
	VAL-3009H								
FILTER 11	VAL-3011A	LCP-3011	FIT-3011	AIT-3011	PPB-FB-VAL-11	PPB-FB-11	JB-11-A/C/D	JB-11-E/G	JB-11-B/F/H
	VAL-3011B								
	VAL-3011C								
	VAL-3011D								
	VAL-3011E								
	VAL-3011F								
	VAL-3011G								
	VAL-3011H								
FILTER 13	VAL-3013A	LCP-3013	FIT-3013	AIT-3013	PPB-FB-VAL-13	PPB-FB-13	JB-13-A/C/D	JB-13-E/G	JB-13-B/F/H
	VAL-3013B								
	VAL-3013C								
	VAL-3013D								
	VAL-3013E								
	VAL-3013F								
	VAL-3013G								
	VAL-3013H								
FILTER 15	VAL-3015A	LCP-3015	FIT-3015	AIT-3015	PPB-FB-VAL-15	PPB-FB-15	JB-15-A/C/D	JB-15-E/G	JB-15-B/F/H
	VAL-3015B								
	VAL-3015C								
	VAL-3015D								
	VAL-3015E								
	VAL-3015F								
	VAL-3015G								
	VAL-3015H								



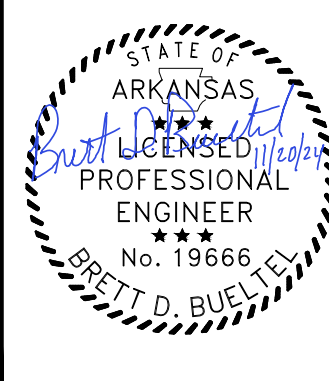
File: C:\USERS\NINNELSON\ACCD\Hazen and Sawyer\60711-001_WILSON_WTP_REHAB_FILTER_BASINPROJECT FILES\00_ELECTRICAL\E3035 Saved by SREXHEPI Save date: 11/18/2024 12:06 AM
 PLOT DATE: 11/19/2024 1:48 PM BY: NINNELSON

REV	ISSUED FOR	DATE	BY

PROJECT MANAGER:	T. HUDSON
DESIGNED BY:	S. REXHEPI
DRAWN BY:	S. REXHEPI
PROJECT ENGINEER:	B. BUELTEL

IF THIS BAR DOES NOT MEASURE 1" THEN DRAWING IS NOT TO FULL SCALE

0 1/2" 1"



Hazen

HAZEN AND SAWYER
 8150 N. CENTRAL EXPRESSWAY
 TOWER II - SUITE 700
 DALLAS, TEXAS 75206

CENTRAL ARKANSAS WATER
 LITTLE ROCK, ARKANSAS

JACK H. WILSON WTP RENEWAL AND
 RESILIENCY PROJECT

FILTER BUILDING
 ELECTRICAL
 PANEL SCHEDULES AND RISER DIAGRAMS VI

GMP SUBMITTAL. DO NOT USE FOR CONSTRUCTION.

DATE:	NOVEMBER 2024
HAZEN NO.:	60711-003
CONTRACT NO.:	1
DRAWING NUMBER:	E3035

NOTES:

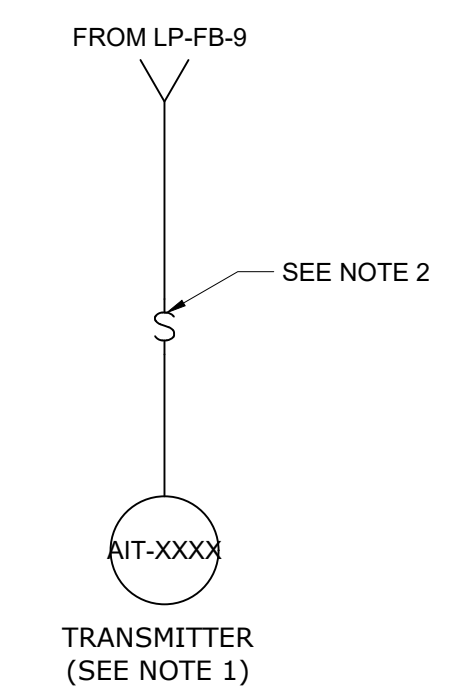
1. RISER IS TYPICAL FOR ALL TRANSMITTERS.
2. NSSC SERIES MANUAL MOTORS STARTING SWITCH WITHOUT OVERLOAD PROTECTION.

208/120 VOLTS 3 PHASE, 4 WIRE			LP-FB-9 MAIN BREAKER 100A 3P			TYPE: NEMA 4X MOUNT: SURFACE								
MODS	DESCRIPTION	WIRE	TRIP	POLE	CKT No.	VOLT-AMPERES			CKT No.	POLE	TRIP	WIRE	DESCRIPTION	MODS
						A	B	C						
LFD	AIT-2051	P-3000-212	20	1	1	100			2	1	20	P-3000-233	AIT-3071	LFD
LFD	AIT-2052	P-3000-213	20	1	3		100		4	1	20	P-3000-234	AIT-3072	LFD
LFD	AIT-2120	P-3000-214	20	1	5			100	6	1	20	P-3000-235	AIT-3073	LFD
LFD	AIT-2130	P-3000-215	20	1	7	100			8	1	20	P-3000-236	AIT-3074	LFD
LFD	AIT-2220	P-3000-216	20	1	9		100		10	1	20	P-3000-237	AIT-3075	LFD
LFD	AIT-2230	P-3000-217	20	1	11			100	12	1	20	P-3000-238	AIT-3077	LFD
LFD	AIT-2320	P-3000-218	20	1	13	100			14	1	20	P-3000-239	AIT-3079	LFD
LFD	AIT-2330	P-3000-219	20	1	15		100		16	1	20	P-3000-242	RCP-3001	LFD
LFD	AIT-2420	P-3000-220	20	1	17			100	18	1	20	P-3000-243	RCP-3002	LFD
LFD	AIT-2430	P-3000-221	20	1	19	100			20					LFD
LFD	EUH-3002	P-3000-222	20	1	21		1,500		22	2	20	P-3000-244	ACC-3003	LFD
LFD	EUH-3003	P-3000-223	20	1	23			1,500	24	2	20	P-3000-279	ACC-3004	LFD
LFD	GUH-3001	P-3000-224	20	1	25				26					LFD
LFD	GUH-3002	P-3000-225	20	1	27				28	2	20	P-3000-245	ACC-3005	LFD
LFD	EF-3001	P-3000-226	20	1	29			500	30					LFD
LFD	EF-3002	P-3000-227	20	1	31	500			32					LFD
LFD	EF-3004	P-3000-264	20	1	33		700		34	2	20	P-3000-280	ACC-3006	LFD
LFD	HURRICANE SHUTTERS BREAK RM AND CONTROL RM	P-3000-029	20	1	35			5,000	36	2	20	P-3000-281	ACC-3007	LFD
LFD	SPARE		20	1	37	-			38					LFD
LFD	SPARE		20	1	39	-			40	1	20		SPARE	LFD
LFD	SPARE		20	1	41	-			42	1	20		SPARE	LFD

TOTAL	900	2,500	7,300	6,400	5,530	5,230	TOTAL
PHASE TOTAL			TOTAL LOAD (VA)				
7,300	8,030	12,530	27,860				
			TOTAL LOAD (A)				
			77				

MODIFICATION (MODS) LEGEND:
 EPD - GROUND FAULT CIRCUIT INTERRUPTER (30mA)
 GFCI - GROUND FAULT CIRCUIT INTERRUPTER (5mA)
 LOD - LOCK-ON DEVICE
 LFD - LOCK-OFF DEVICE

NOTES:
 10kAIC
 100kA SPD

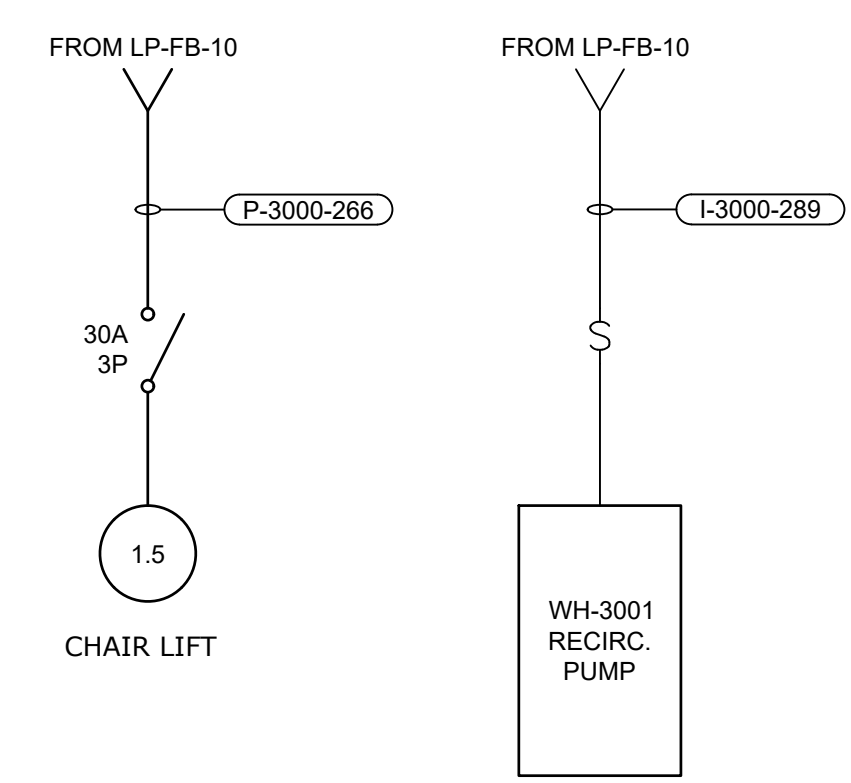


208/120 VOLTS 3 PHASE, 4 WIRE			LP-FB-10 MAIN BREAKER 150A 3P			TYPE: NEMA 4X MOUNT: SURFACE								
MODS	DESCRIPTION	WIRE	TRIP	POLE	CKT No.	VOLT-AMPERES			CKT No.	POLE	TRIP	WIRE	DESCRIPTION	MODS
						A	B	C						
LFD	AHU-3003	P-3000-246	20	2	1	100			2	2	20	P-3000-247	AHU-3004	LFD
LFD	AHU-3005	P-3000-248	20	2	5			100	4					LFD
LFD	AHU-3006	P-3000-263	20	2	7	100			6	1	20	P-3000-266	CHAIR LIFT	LFD
LFD	ELECTRICAL ROOM LIGHTING	SEE NOTE 1	20	1	9				8	1	20	SEE NOTE 1	WOMENS LOCKER LIGHTING	LFD
LFD	CORRIDOR LIGHTING	SEE NOTE 1	20	1	11				10	1	20	SEE NOTE 1	WOMENS LOCKER RECEPT.	LFD
LFD	ELECTRICAL ROOM RECEPT	SEE NOTE 1	20	1	13	190			12	1	20	SEE NOTE 1	MECH RM LIGHTING	LFD
LFD	CORRIDOR AND STAIR RECEPT	SEE NOTE 1	20	1	15		990		14	1	20	SEE NOTE 1	MECH RM, UTILITY/JANITOR, AND MENS LOCKER RECEPT.	LFD
LFD	DAY LAB LIGHTING	SEE NOTE 1	20	1	17				16	1	20	SEE NOTE 1	UTILITY/JANITOR LIGHTING	LFD
LFD	OFFICE 4 LIGHTING	SEE NOTE 1	20	1	19			540	18	1	20	SEE NOTE 1	MENS LOCKER LIGHTING	LFD
LFD	DAY SUPERVISOR LIGHTING	SEE NOTE 1	20	1	21				20	1	20	SEE NOTE 1	STAIR LIGHTING	LFD
LFD	DAY LAB RECEPT	SEE NOTE 1	20	1	23				22	1	20	SEE NOTE 1	OFFICE 1 LIGHTING	LFD
LFD	OFFICE 4 AND DAY SUPERVISOR RECEPT.	SEE NOTE 1	20	1	25	80			24	1	20	SEE NOTE 1	OFFICE 2 LIGHTING	LFD
LFD	CORRIDOR CAN LIGHTS	SEE NOTE 1	20	1	27		360		26	1	20	SEE NOTE 1	OFFICE 3 LIGHTING	LFD
LFD	WH-3001 RECIR. PUMP	P-3000-289	20	1	29			1,620	28	1	20	SEE NOTE 1	OFFICE 1, 2, AND 3 RECEPT.	LFD
LFD	CONTROL ROOM OUTSIDE LIGHT	SEE NOTE 1	20	1	31	60			30	1	20	SEE NOTE 1	BREAK ROOM LIGHTING	LFD
LFD	SPARE		20	1	33		500		32	1	20	SEE NOTE 1	CONTROL ROOM LIGHTING	LFD
LFD	SPARE		20	1	35			150	34	1	20	SEE NOTE 1	CONTROL ROOM AND BREAK ROOM RECEPT.	LFD
LFD	SPARE		20	1	37	-			36	1	20		SPARE	LFD
LFD	SPARE		20	1	39	-			38					LFD
LFD	SPARE		20	1	41	-			40	3	60	P-3000-19	LP-FB-11	LFD

TOTAL	1,250	2,210	2,590	3,620	5,810	5,250	TOTAL
PHASE TOTAL			TOTAL LOAD (VA)				
4,870	8,020	7,840	20,730				
			TOTAL LOAD (A)				
			58				

MODIFICATION (MODS) LEGEND:
 EPD - GROUND FAULT CIRCUIT INTERRUPTER (30mA)
 GFCI - GROUND FAULT CIRCUIT INTERRUPTER (5mA)
 LOD - LOCK-ON DEVICE
 LFD - LOCK-OFF DEVICE

NOTES:
 10kAIC
 100kA SPD



File: C:\USERS\NINNELSON\ACCD\CCDC\HAZEN AND SAWYER\60711-001_WILSON_WTP_REHAB_FILTER_BASINPROJECT FILES\00_ELECTRICAL\E0306 Saved by: SREXHEPI Save date: 11/17/2024 11:32 PM
 PLOT DATE: 11/19/2024 1:46 PM BY: NINNELSON

GMP SUBMITTAL. DO NOT USE FOR CONSTRUCTION.

PROJECT MANAGER:	T. HUDSON
DESIGNED BY:	S. REXHEPI
DRAWN BY:	S. REXHEPI
PROJECT ENGINEER:	B. BUELTEL
IF THIS BAR DOES NOT MEASURE 1" THEN DRAWING IS NOT TO FULL SCALE	0 1/2" 1"



Hazen
 HAZEN AND SAWYER
 8150 N. CENTRAL EXPRESSWAY
 TOWER II - SUITE 700
 DALLAS, TEXAS 75206

CENTRAL ARKANSAS WATER
 LITTLE ROCK, ARKANSAS

JACK H. WILSON WTP RENEWAL AND
 RESILIENCY PROJECT

HAZEN NO.: 60711-003

CONTRACT NO.: 1

DRAWING NUMBER: E3036

DATE: NOVEMBER 2024

HAZEN NO.: 60711-003

CONTRACT NO.: 1

DRAWING NUMBER: E3036

DATE:	NOVEMBER 2024
HAZEN NO.:	60711-003
CONTRACT NO.:	1
DRAWING NUMBER:	E3036

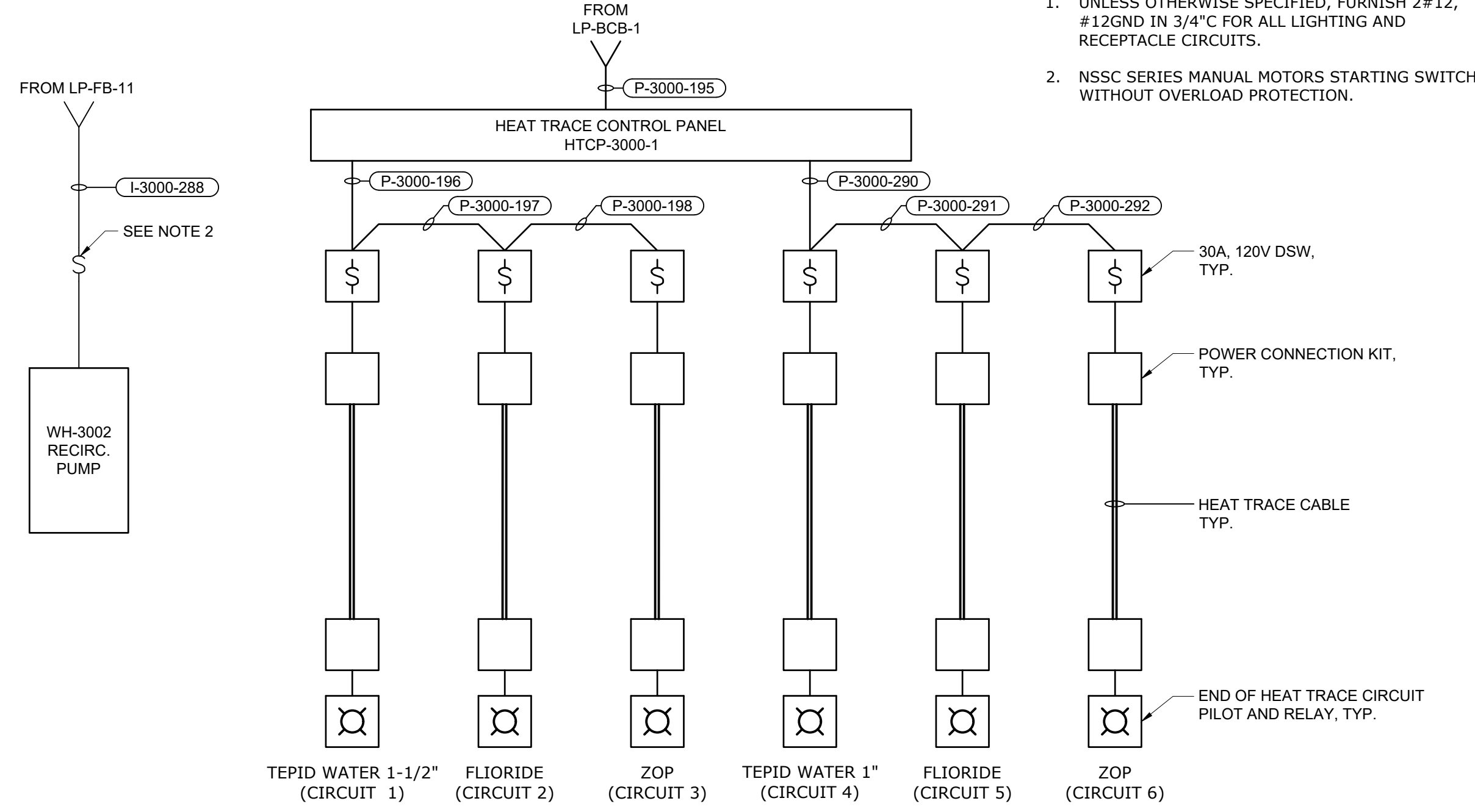
208/120 VOLTS 3 PHASE, 4 WIRE				LP-FB-11 MAIN LUGS ONLY 100A 3P				TYPE: NEMA 4X MOUNT: SURFACE						
MODS	DESCRIPTION	WIRE	TRIP	POLE	CKT No.	VOLT-AMPERES			CKT No.	POLE	TRIP	WIRE	DESCRIPTION	MODS
						A	B	C						
LFD	FSH-6205	P-3000-267	20	1	1	60			2	1	20	P-3000-273	LIT-6210	LFD
LFD	FSH-6160	P-3000-268	20	1	3	60			4	1	20			LFD
LFD	LIT-6160	P-3000-269	20	1	5				6	1	20	P-3000-275	FIT/FE-6211	LFD
LFD			20	1	7				8	1	20	P-3000-276	FIT/FE-6212	LFD
LFD	FIT/FE-6161	P-3000-271	20	1	9	100			10	1	20	P-3000-249	PMP-6161	LFD
LFD	FIT/FE-6162	P-3000-272	20	1	11		100		12	1	20	P-3000-250	PMP-6162	LFD
LFD	PMP-6211	P-3000-251	20	1	13	250			14					LFD
LFD	PMP-6212	P-3000-252	20	1	15		250		16	2	20	P-3000-231	AHU-3007	LFD
LFD	EF-3005	P-3000-265	20	1	17			500	18	1	20	P-3000-229	EF-3006	LFD
LFD	EF-3007	P-3000-230	20	1	19	700			20	1	20	P-3000-288	WH-3002 RECIR. PUMP	LFD
EPD	HTCP-3000-1	P-3000-195	20	1	21		1,000		22	1	20	P-3000-028	FINISHED WATER CHEMICAL FEED OH DOOR	LFD
LFD	SPARE		20	1	23				24	1	20		SPARE	LFD
LFD	SPARE		20	1	25				26	1	20		SPARE	LFD
LFD	SPARE		20	1	27				28	1	20		SPARE	LFD
LFD	SPARE		20	1	29				30	1	20		SPARE	LFD
LFD	SPARE		20	1	31				32	1	20		SPARE	LFD
	SPACE			1	33				34	1			SPACE	
	SPACE			1	35				36	1			SPACE	
	SPACE			1	37				38	1			SPACE	
	SPACE			1	39				40	1			SPACE	
	SPACE			1	41				42	1			SPACE	

TOTAL	1,010	1,410	700
PHASE TOTAL			
	1,810	1,760	1,750

800	350	1,050	TOTAL
TOTAL LOAD (VA)			
5,320			
TOTAL LOAD (A)			
15			

MODIFICATION (MODS) LEGEND:
 EPD - GROUND FAULT CIRCUIT INTERRUPTER (30mA)
 GFCl - GROUND FAULT CIRCUIT INTERRUPTER (5mA)
 LOD - LOCK-ON DEVICE
 LFD - LOCK-OFF DEVICE

NOTES:
 10kAIC
 100kA SPD



- NOTES:
- UNLESS OTHERWISE SPECIFIED, FURNISH 2#12, #12GND IN 3/4" C FOR ALL LIGHTING AND RECEPTACLE CIRCUITS.
 - NSSC SERIES MANUAL MOTORS STARTING SWITCH WITHOUT OVERLOAD PROTECTION.

480 VOLTS 3 PHASE, 3 WIRE				PP-FB-2 MAIN BREAKER 125A 3P				TYPE: NEMA 4X MOUNT: SURFACE						
MODS	DESCRIPTION	WIRE	TRIP	POLE	CKT No.	VOLT-AMPERES			CKT No.	POLE	TRIP	WIRE	DESCRIPTION	MODS
						A	B	C						
LFD	WH-3002	P-3000-253	20	3	1	3,400			2				EUH-3001	LFD
					3	3,400			4	3	20	P-3000-254		
					5			3,400	6					
LFD	EUH-3101	P-3000-255	20	3	7	2,500			8				EUH-3102	LFD
					9		2,500		10	3	20	P-3000-256		
					11			2,500	12					
LFD	EUH-3103	P-3000-257	20	3	13	1,000			14				SPARE	LFD
					15		1,000		16	3	20			
					17			1,000	18					
LFD	SPARE		20	3	19				20				SPARE	LFD
					21				22	3	20			
					23				24					
LFD	SPARE		20	3	25				26				SPARE	LFD
					27				28	3	20			
					29				30					
LFD	SPARE		20	3	31				32				SPARE	LFD
					33				34	3	20			
					35				36					
					37				38					
	SPACE			3	39				40	3			SPACE	
					41				42					

TOTAL	6,900	6,900	6,900
PHASE TOTAL			
	9,570	9,570	9,570

2,670	2,670	2,670	TOTAL
TOTAL LOAD (VA)			
28,710			
TOTAL LOAD (A)			
35			

MODIFICATION (MODS) LEGEND:
 EPD - GROUND FAULT CIRCUIT INTERRUPTER (30mA)
 GFCl - GROUND FAULT CIRCUIT INTERRUPTER (5mA)
 LOD - LOCK-ON DEVICE
 LFD - LOCK-OFF DEVICE
 ETU - ELECTRONIC TRIP UNIT

NOTES:
 42kAIC
 100kA SPD

480 VOLTS 3 PHASE, 3 WIRE				PP-FB-1 MAIN BREAKER 225A 3P ETU				TYPE: NEMA 4X MOUNT: SURFACE						
MODS	DESCRIPTION	WIRE	TRIP	POLE	CKT No.	VOLT-AMPERES			CKT No.	POLE	TRIP	WIRE	DESCRIPTION	MODS
						A	B	C						
LFD	WH-3001	P-3000-258	20	3	1	3,500			2				ACC-3001	LFD
					3		2,000		4	3	20	P-3000-259		
					5			2,000	6					
LFD	ACC-3002	P-3000-260	20	3	7	3,500			8				AHU-3001	LFD
					9		3,500		10	3	20	P-3000-261		
					11			3,500	12					
LFD	AHU-3002	P-3000-262	20	3	13	3,300			14				EF-3003	LFD
					15		3,300		16	3	20	P-3000-228		
					17			3,300	18					
LFD	SPARE		20	3	19				20				SPARE	LFD
					21				22	3	20	P-3000-232	AHU-3008	LFD
					23				24					
LFD	SPARE		20	3	25				26				SPARE	LFD
					27				28	3	20			
					29				30					
LFD	SPARE			3	31				32				SPARE	LFD
					33				34	3	20			
					35				36					
					37				38					
	SPACE			3	39				40				SPACE	
					41				42					

TOTAL	8,800	8,800	8,800
PHASE TOTAL			
	18,050	18,050	18,050

9,250	9,250	9,250	TOTAL
TOTAL LOAD (VA)			
54,150			
TOTAL LOAD (A)			
65			

MODIFICATION (MODS) LEGEND:
 EPD - GROUND FAULT CIRCUIT INTERRUPTER (30mA)
 GFCl - GROUND FAULT CIRCUIT INTERRUPTER (5mA)
 LOD - LOCK-ON DEVICE
 LFD - LOCK-OFF DEVICE
 ETU - ELECTRONIC TRIP UNIT

NOTES:
 42kAIC
 100kA SPD

GMP SUBMITTAL. DO NOT USE FOR CONSTRUCTION.

File: C:\USERS\NINELSON\ACCD\CCSHAZEN AND SAWYER\60711-001_WILSON_WTP_REHAB_FILTER_BASINPROJECT FILES\00_ELECTRICAL\E037 Saved by: SREXHEPI Save date: 11/17/2024 8:18 PM
 PLOT DATE: 11/19/2024 1:48 PM BY: NINELSON

PROJECT MANAGER:	T. HUDSON
DESIGNED BY:	S. REXHEPI
DRAWN BY:	S. REXHEPI
PROJECT ENGINEER:	B. BUELTEL
IF THIS BAR DOES NOT MEASURE 1" THEN DRAWING IS NOT TO FULL SCALE	0 1/2" 1"



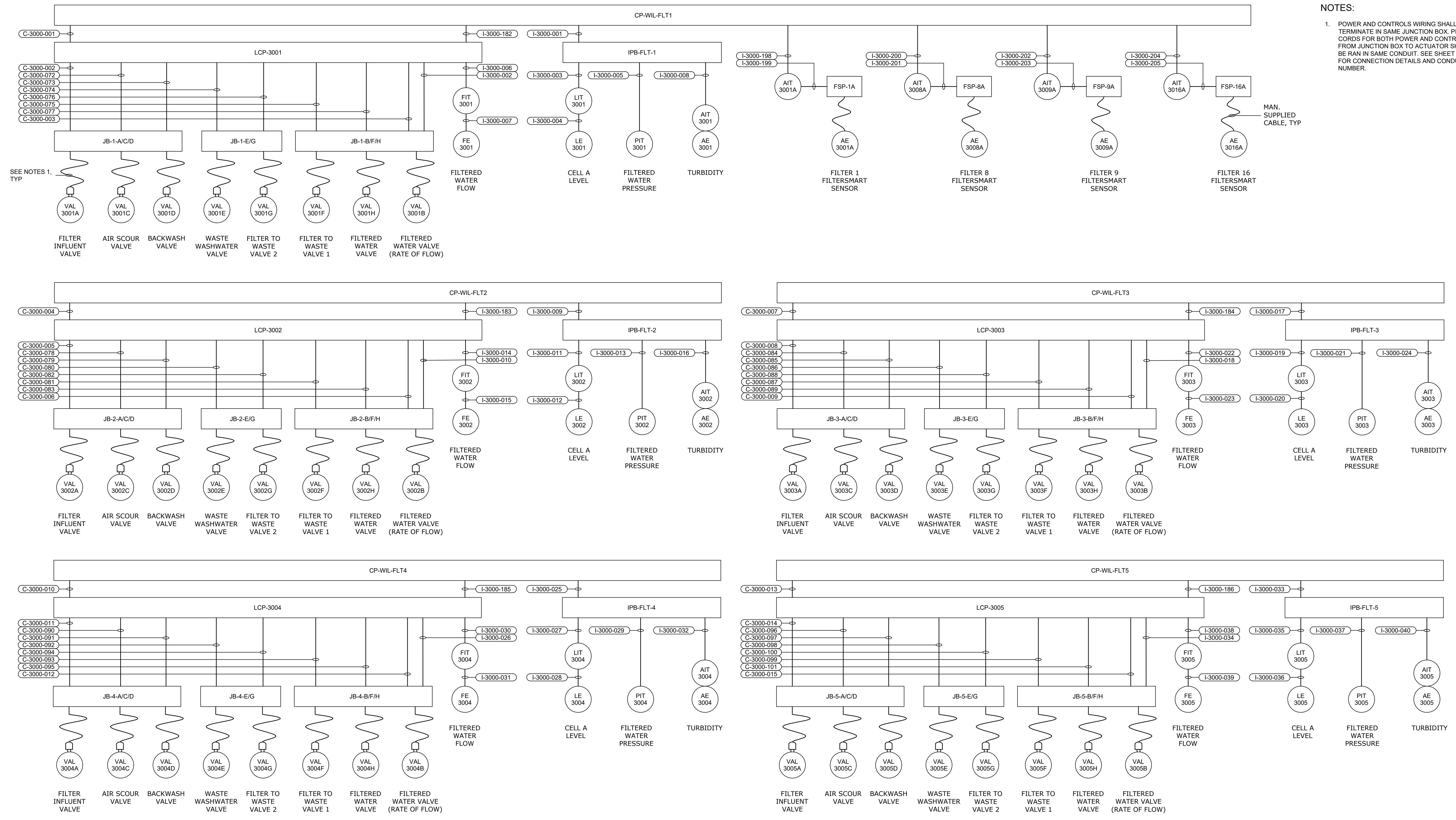
CENTRAL ARKANSAS WATER
 LITTLE ROCK, ARKANSAS

JACK H. WILSON WTP RENEWAL AND
 RESILIENCY PROJECT

FILTER BUILDING
 ELECTRICAL
 PANEL SCHEDULES AND RISER DIAGRAMS VIII

DATE:	NOVEMBER 2024
HAZEN NO.:	60711-003
CONTRACT NO.:	1
DRAWING NUMBER:	E3037

NOTES:
 1. POWER AND CONTROLS WIRING SHALL TERMINATE IN SAME JUNCTION BOX. PIGTAIL CORDS FOR BOTH POWER AND CONTROLS FROM JUNCTION BOX TO ACTUATOR SHALL BE RAN IN SAME CONDUIT. SEE SHEET E3203 FOR CONNECTION DETAILS AND CONDUIT NUMBER.



GMP SUBMITTAL. DO NOT USE FOR CONSTRUCTION.

CP-WIL-FLT#
CONTROL BLOCK DIAGRAM

REV	ISSUED FOR	DATE	BY

PROJECT MANAGER:	T. HUDSON
DESIGNED BY:	S. REXHEPI
DRAWN BY:	S. REXHEPI
PROJECT ENGINEER:	B. BUELTEL
IF THIS BAR DOES NOT MEASURE 1" THEN DRAWING IS NOT TO FULL SCALE	
0 1/2" 1"	



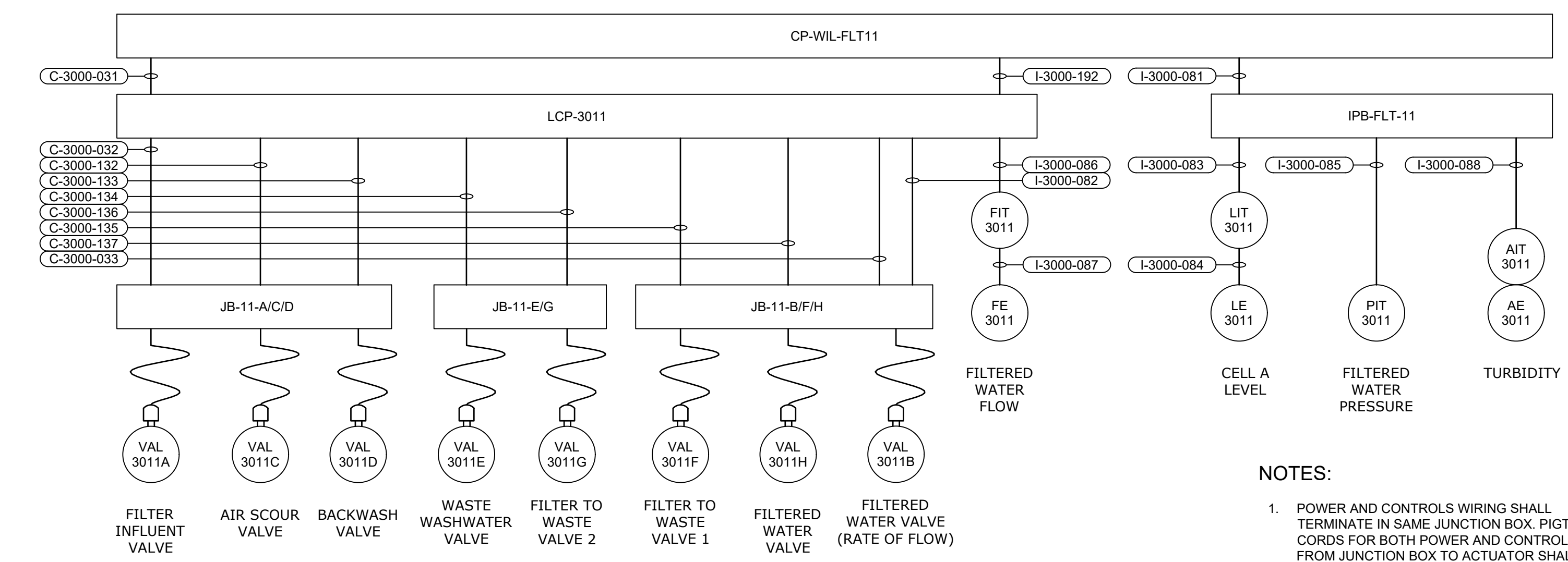
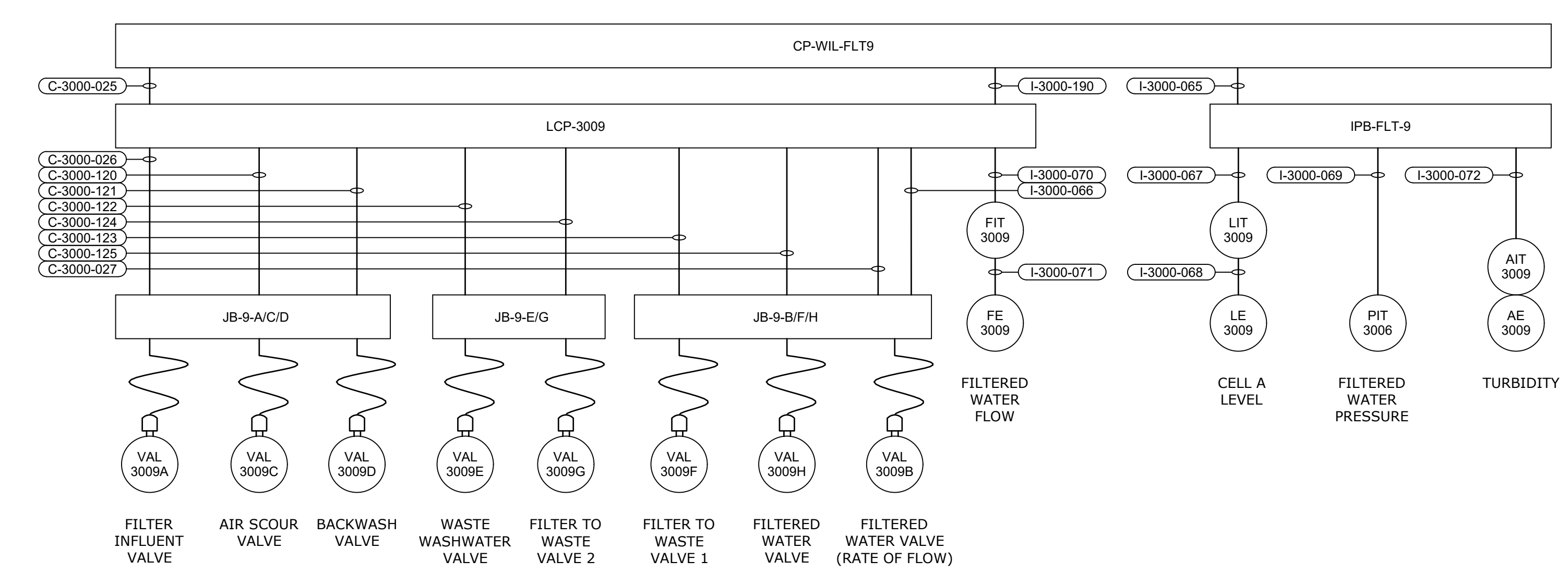
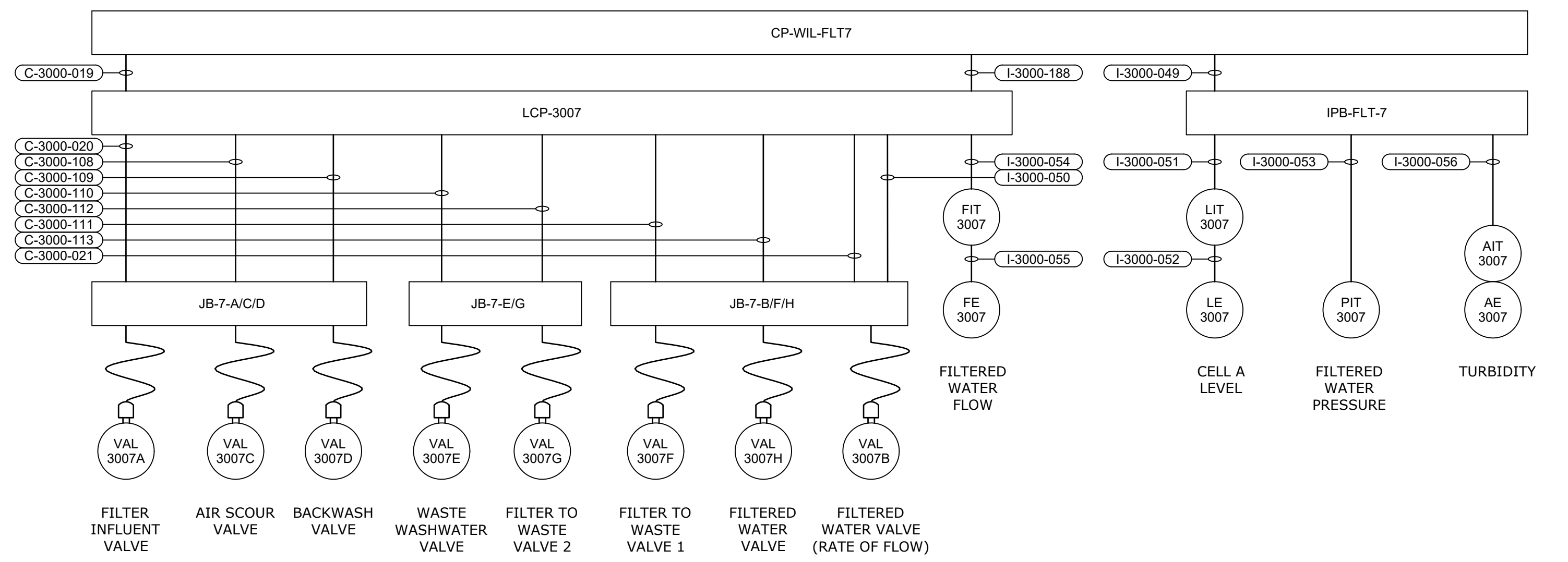
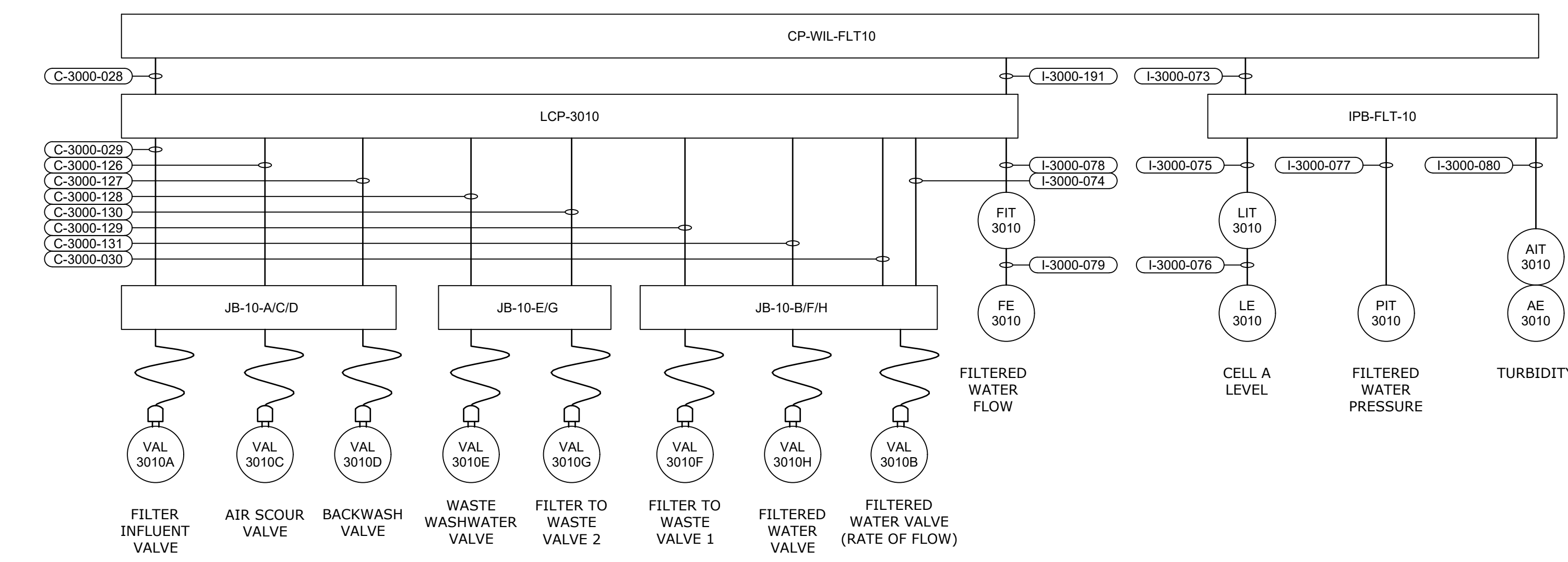
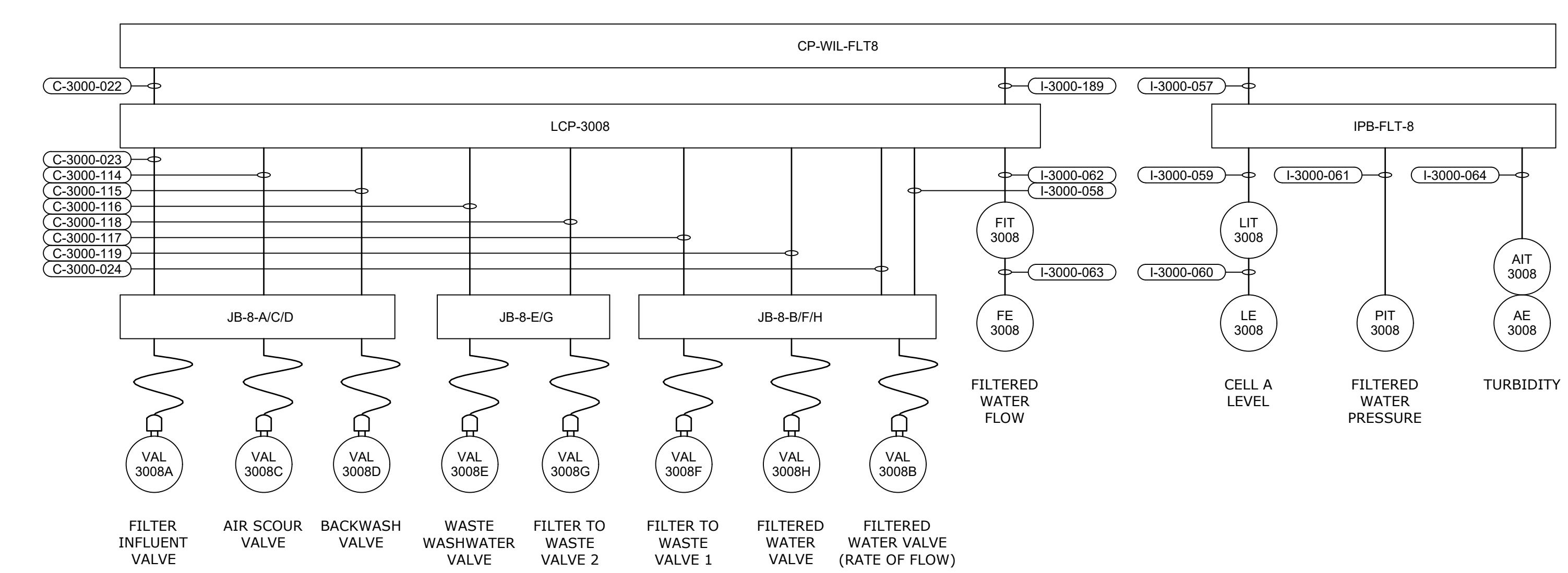
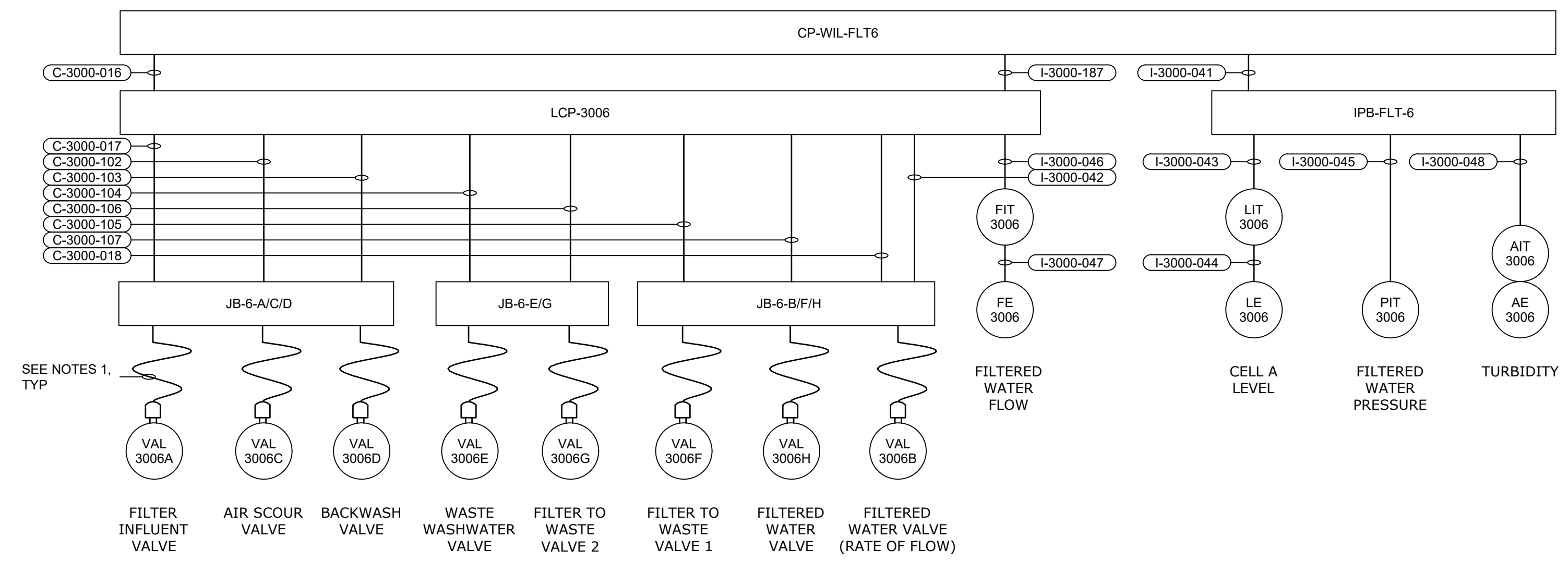
Hazen
 HAZEN AND SAWYER
 8150 N. CENTRAL EXPRESSWAY
 TOWER II - SUITE 700
 DALLAS, TEXAS 75206

CENTRAL ARKANSAS WATER
 LITTLE ROCK, ARKANSAS
 JACK H. WILSON WTP RENEWAL AND
 RESILIENCY PROJECT

FILTER BUILDING
 ELECTRICAL
 CONTROL BLOCK DIAGRAM I

DATE:	NOVEMBER 2024
HAZEN NO.:	60711-003
CONTRACT NO.:	1
DRAWING NUMBER:	E3038

File: C:\USERS\NINELSON\ACCD\CC\SHAZEN AND SAWYER\60711-001_WILSON WTP_REHAB_FILTER_BASIN\PROJECT FILES\900_ELECTRICAL\E3038 Saved by SREXHEPI Save date: 11/17/2024 7:59 PM
 PLOT DATE: 11/19/2024 1:46 PM BY: NINELSON



NOTES:
 1. POWER AND CONTROLS WIRING SHALL TERMINATE IN SAME JUNCTION BOX. PIGTAIL CORDS FOR BOTH POWER AND CONTROLS FROM JUNCTION BOX TO ACTUATOR SHALL BE RAN IN SAME CONDUIT. SEE SHEET E3203 FOR CONNECTION DETAILS AND CONDUIT NUMBER.

CP-WIL-FLT#
 CONTROL BLOCK DIAGRAM

GMP SUBMITTAL. DO NOT USE FOR CONSTRUCTION.

File: C:\USERS\NINELSON\ACCD\SHAZEN AND SAWYER\60711-001_WILSON_WTP_REHAB_FILTER_BASINPROJECT FILES\00_ELECTRICAL\E3033 Saved by SREXHEPI Save date: 11/17/2024 8:09 PM
 PLOT DATE: 11/19/2024 1:48 PM BY: NINELSON

REV	ISSUED FOR	DATE	BY

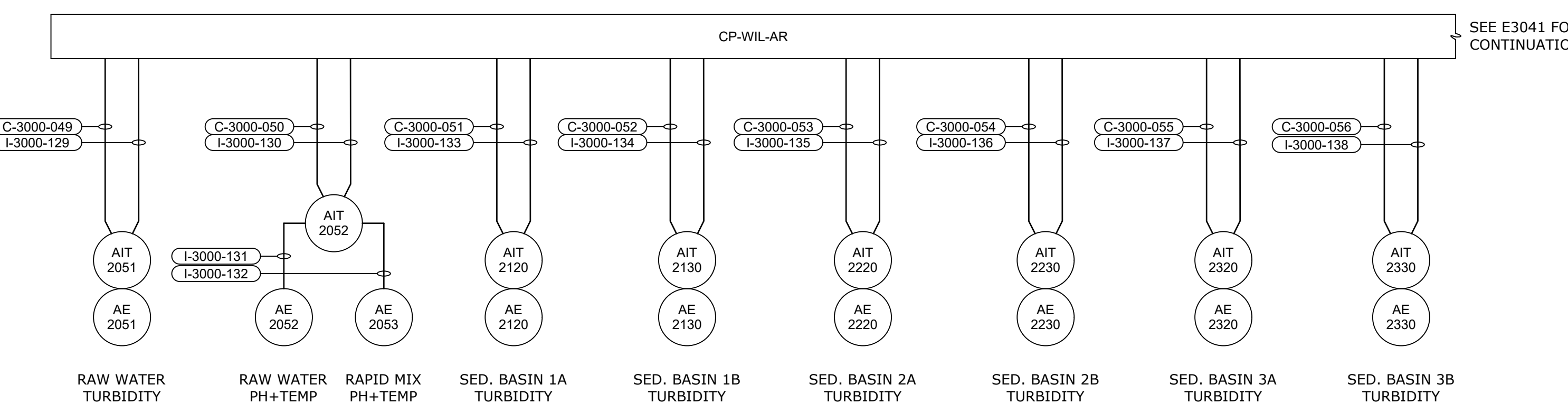
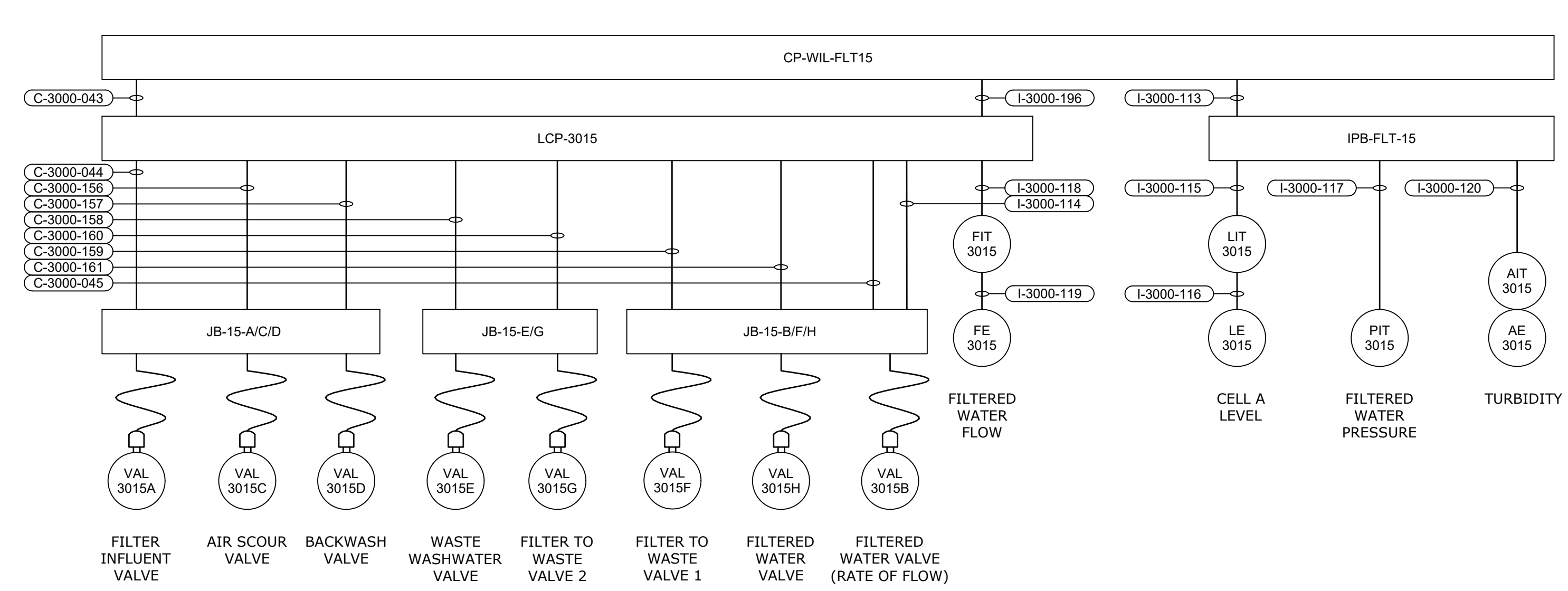
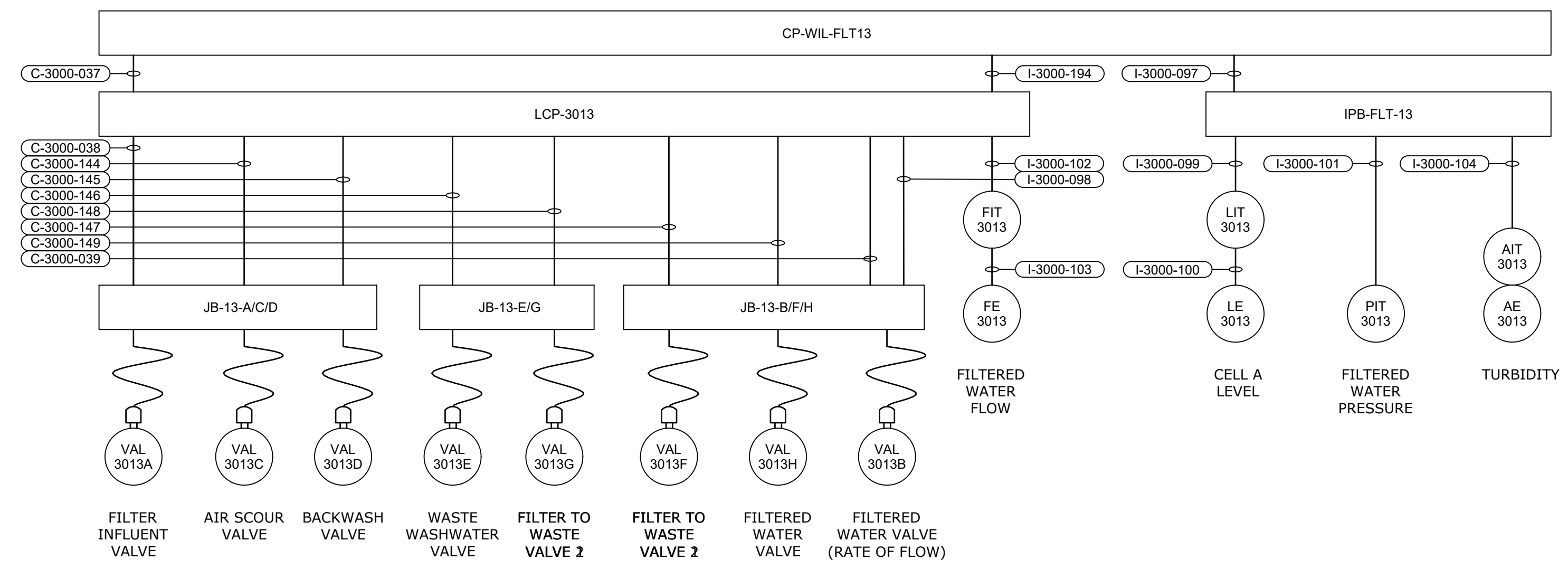
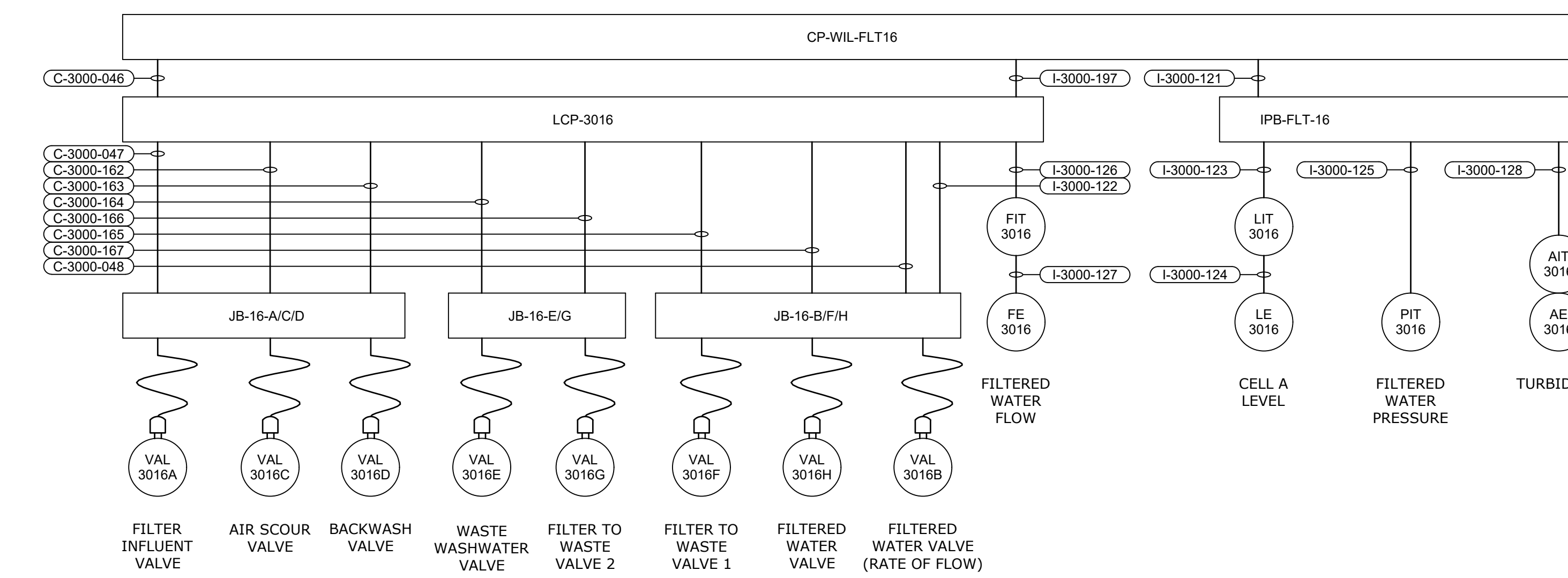
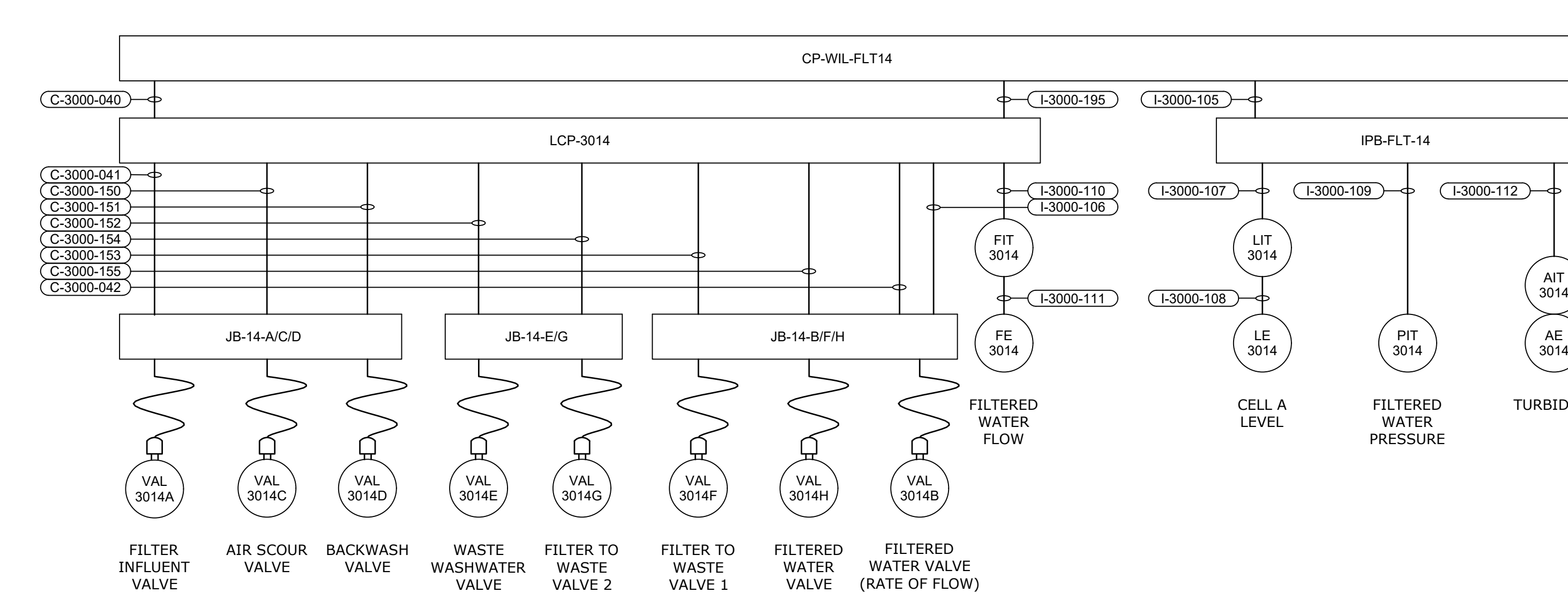
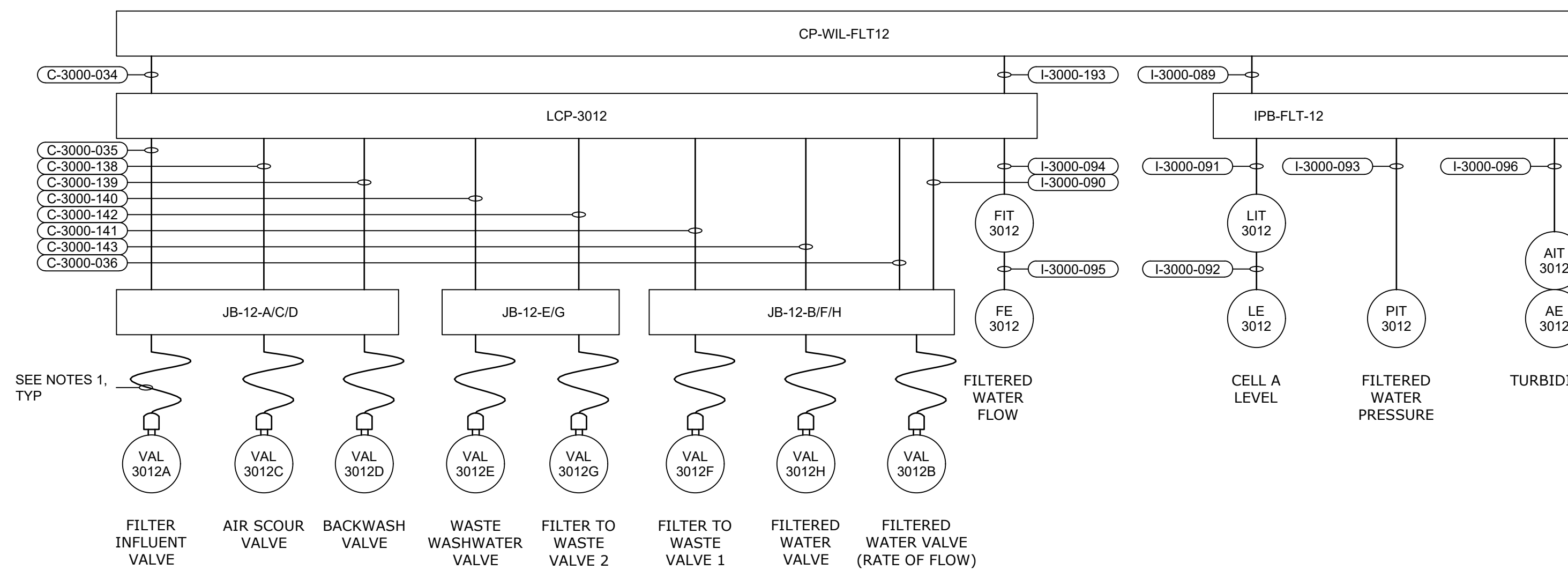
PROJECT MANAGER:	T. HUDSON
DESIGNED BY:	S. REXHEPI
DRAWN BY:	S. REXHEPI
PROJECT ENGINEER:	B. BUELTEL
IF THIS BAR DOES NOT MEASURE 1" THEN DRAWING IS NOT TO FULL SCALE	



CENTRAL ARKANSAS WATER
 LITTLE ROCK, ARKANSAS
 JACK H. WILSON WTP RENEWAL AND RESILIENCY PROJECT

FILTER BUILDING
 ELECTRICAL
 CONTROL BLOCK DIAGRAM II

DATE:	NOVEMBER 2024
HAZEN NO.:	60711-003
CONTRACT NO.:	1
DRAWING NUMBER:	E3039



SEE NOTES 1, TYP

SEE E3041 FOR CONTINUATION

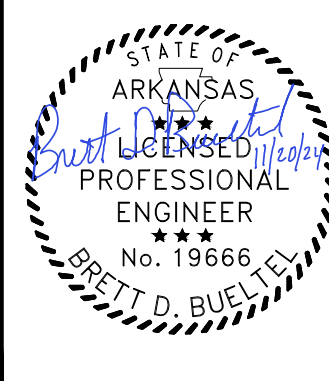
- NOTES:**
- POWER AND CONTROLS WIRING SHALL TERMINATE IN SAME JUNCTION BOX. PIGTAIL CORDS FOR BOTH POWER AND CONTROLS FROM JUNCTION BOX TO ACTUATOR SHALL BE RAN IN SAME CONDUIT. SEE SHEET E3203 FOR CONNECTION DETAILS AND CONDUIT NUMBER.

GMP SUBMITTAL. DO NOT USE FOR CONSTRUCTION.

File: C:\USERS\NINELSON\ACCD\SHAZEN AND SAWYER\60711-001_WILSON_WTP_REHAB_FILTER_BASINPROJECT FILES\00_ELECTRICAL\E3040.dwg Saved by: SREXHEPI Save date: 11/17/2024 8:12 PM PLOT DATE: 11/19/2024 1:48 PM BY: NINELSON

REV	ISSUED FOR	DATE	BY

PROJECT MANAGER:	T. HUDSON
DESIGNED BY:	S. REXHEPI
DRAWN BY:	S. REXHEPI
PROJECT ENGINEER:	B. BUELTEL
IF THIS BAR DOES NOT MEASURE 1" THEN DRAWING IS NOT TO FULL SCALE	



Hazen
HAZEN AND SAWYER
8150 N. CENTRAL EXPRESSWAY
TOWER II - SUITE 700
DALLAS, TEXAS 75206

CENTRAL ARKANSAS WATER
LITTLE ROCK, ARKANSAS

JACK H. WILSON WTP RENEWAL AND
RESILIENCY PROJECT

FILTER BUILDING
ELECTRICAL
CONTROL BLOCK DIAGRAM III

DATE:	NOVEMBER 2024
HAZEN NO.:	60711-003
CONTRACT NO.:	1
DRAWING NUMBER:	E3040

File: C:\USERS\NINNELSON\ACCDC\SHAZEN AND SAWYER\60711-001_WILSON_WTP_REHAB_FILTER_BASINPROJECT FILES\00_ELECTRICAL\E3043 Saved by SREXHEPI 11/17/2024 11:35 PM
 PLOT DATE: 11/19/2024 1:47 PM BY: NINNELSON

CONDUIT NO.	SIZE	FROM	TO	CONDUCTORS	REMARKS
P-3000-001	1-1/2"	DC2B	WASH WATER SUPPLY PUMP [PMP-3030]	3#2/0, #4GND	VIA DSW
P-3000-002	1"	DC2B	T-LPFB1	3#4, #8GND	
P-3000-003	1-1/2"	T-LPFB1	LP-FB-1/2	4#1, #8GND	
P-3000-004	3/4"	PANEL LF	GUH-3001	2#12, #12GND	
P-3000-005	1-1/2"	LP-FB-1/2	LP-FB-3/4	4#4, #8GND	
P-3000-006	3/4"	PANEL LF	GUH-3002	2#12, #12GND	
P-3000-007	1"	DC2B	T-LPFB5	3#4, #8GND	
P-3000-008	1-1/2"	T-LPFB5	LP-FB-5/6	4#1, #8GND	
P-3000-009	3/4"	PANEL LF	GUH-3003	2#12, #12GND	
P-3000-010	1-1/2"	LP-FB-5/6	LP-FB-7/8	4#4, #8GND	
P-3000-011	3/4"	PANEL LF	GUH-3004	2#12, #12GND	
P-3000-012	1-1/2"	DC2B	PP-FB-2	3#1, #8GND	
P-3000-013	2"	DC2B	PP-FB-1	3#4/0, #4GND	
P-3000-014	3/4"	DC2B	PMP-3071	3#12, #12GND	VIA DSW
P-3000-015	3/4"	DC2B	PMP-3072	3#12, #12GND	VIA DSW
P-3000-016	1"	DC2B	T-LPFB9	3#4, #8GND	
P-3000-017	1-1/2"	T-LPFB9	LP-FB-9	4#1, #8GND	
P-3000-018	1-1/2"	DSW-UPS	UPS	4#1, #8GND	
P-3000-019	1-1/2"	LP-FB-10	LP-FB-11	4#1, #8GND	
P-3000-020	1"	DC3B	T-LPFB10	3#4, #8GND	
P-3000-021	1-1/2"	T-LPFB10	LP-FB-10	4#1/0, #8GND	
P-3000-022	1-1/2"	T-EP/LF	PANEL LF	4#1/0, #6GND	
P-3000-023	1-1/2"	DC3B	DSW-UPS	4#1, #8GND	
P-3000-024	1-1/2"	UPS	PANEL WIL UPS	4#1, #8GND	
P-3000-025	3/4"	PANEL LF	GUH-3005	2#12, #12GND	
P-3000-026	3/4"	PANEL LF	GUH-3006	2#12, #12GND	
P-3000-027	3/4"	PANEL LF	GUH-3007	2#12, #12GND	
P-3000-028	3/4"	LP-FB-11	FINISHED WATER CHEMICAL FEED OH DOOR	2#12, #12GND	
P-3000-029	3/4"	LP-FB-9	HURRICANE SHUTTERS BREAK RM AND CONTROL RM	2#12, #12GND	
P-3000-030	3/4"	LP-FB-1/2	VAL-3001A	2#12, #12GND	
P-3000-031	3/4"	LP-FB-1/2	VAL-3001B	2#12, #12GND	
P-3000-032	3/4"	LP-FB-1/2	VAL-3001C	2#12, #12GND	
P-3000-033	3/4"	LP-FB-1/2	VAL-3001D	2#12, #12GND	
P-3000-034	3/4"	LP-FB-1/2	VAL-3001E	2#12, #12GND	
P-3000-035	3/4"	LP-FB-1/2	VAL-3001F	2#12, #12GND	
P-3000-036	3/4"	LP-FB-1/2	VAL-3001G	2#12, #12GND	
P-3000-037	3/4"	LP-FB-1/2	VAL-3001H	2#12, #12GND	
P-3000-038	3/4"	LP-FB-1/2	LCP-3001	2#12, #12GND	
P-3000-039	3/4"	LP-FB-1/2	FIT-3001	2#12, #12GND	
P-3000-040	3/4"	LP-FB-1/2	AIT-3001	2#12, #12GND	
P-3000-041	3/4"	LP-FB-1/2	VAL-3003A	2#12, #12GND	
P-3000-042	3/4"	LP-FB-1/2	VAL-3003B	2#12, #12GND	
P-3000-043	3/4"	LP-FB-1/2	VAL-3003C	2#12, #12GND	
P-3000-044	3/4"	LP-FB-1/2	VAL-3003D	2#12, #12GND	
P-3000-045	3/4"	LP-FB-1/2	VAL-3003E	2#12, #12GND	
P-3000-046	3/4"	LP-FB-1/2	VAL-3003F	2#12, #12GND	
P-3000-047	3/4"	LP-FB-1/2	VAL-3003G	2#12, #12GND	
P-3000-048	3/4"	LP-FB-1/2	VAL-3003H	2#12, #12GND	
P-3000-049	3/4"	LP-FB-1/2	LCP-3003	2#12, #12GND	
P-3000-050	3/4"	LP-FB-1/2	FIT-3003	2#12, #12GND	
P-3000-051	3/4"	LP-FB-1/2	AIT-3003	2#12, #12GND	
P-3000-052	3/4"	LP-FB-1/2	VAL-3005A	2#12, #12GND	
P-3000-053	3/4"	LP-FB-1/2	VAL-3005B	2#12, #12GND	
P-3000-054	3/4"	LP-FB-1/2	VAL-3005C	2#12, #12GND	
P-3000-055	3/4"	LP-FB-1/2	VAL-3005D	2#12, #12GND	
P-3000-056	3/4"	LP-FB-1/2	VAL-3005E	2#12, #12GND	
P-3000-057	3/4"	LP-FB-1/2	VAL-3005F	2#12, #12GND	
P-3000-058	3/4"	LP-FB-1/2	VAL-3005G	2#12, #12GND	
P-3000-059	3/4"	LP-FB-1/2	VAL-3005H	2#12, #12GND	
P-3000-060	3/4"	LP-FB-1/2	LCP-3005	2#12, #12GND	
P-3000-061	3/4"	LP-FB-1/2	FIT-3005	2#12, #12GND	
P-3000-062	3/4"	LP-FB-1/2	AIT-3005	2#12, #12GND	
P-3000-063	3/4"	LP-FB-1/2	VAL-3007A	2#12, #12GND	
P-3000-064	3/4"	LP-FB-1/2	VAL-3007B	2#12, #12GND	
P-3000-065	3/4"	LP-FB-1/2	VAL-3007C	2#12, #12GND	
P-3000-066	3/4"	LP-FB-1/2	VAL-3007D	2#12, #12GND	
P-3000-067	3/4"	LP-FB-1/2	VAL-3007E	2#12, #12GND	
P-3000-068	3/4"	LP-FB-1/2	VAL-3007F	2#12, #12GND	
P-3000-069	3/4"	LP-FB-1/2	VAL-3007G	2#12, #12GND	
P-3000-070	3/4"	LP-FB-1/2	VAL-3007H	2#12, #12GND	
P-3000-071	3/4"	LP-FB-1/2	LCP-3007	2#12, #12GND	
P-3000-072	3/4"	LP-FB-1/2	FIT-3007	2#12, #12GND	
P-3000-073	3/4"	LP-FB-1/2	AIT-3007	2#12, #12GND	
P-3000-074	3/4"	LP-FB-3/4	VAL-3002A	2#12, #12GND	
P-3000-075	3/4"	LP-FB-3/4	VAL-3002B	2#12, #12GND	
P-3000-076	3/4"	LP-FB-3/4	VAL-3002C	2#12, #12GND	
P-3000-077	3/4"	LP-FB-3/4	VAL-3002D	2#12, #12GND	
P-3000-078	3/4"	LP-FB-3/4	VAL-3002E	2#12, #12GND	
P-3000-079	3/4"	LP-FB-3/4	VAL-3002F	2#12, #12GND	
P-3000-080	3/4"	LP-FB-3/4	VAL-3002G	2#12, #12GND	
P-3000-081	3/4"	LP-FB-3/4	VAL-3002H	2#12, #12GND	
P-3000-082	3/4"	LP-FB-3/4	LCP-3002	2#12, #12GND	
P-3000-083	3/4"	LP-FB-3/4	FIT-3002	2#12, #12GND	
P-3000-084	3/4"	LP-FB-3/4	AIT-3002	2#12, #12GND	
P-3000-085	3/4"	LP-FB-3/4	VAL-3004A	2#12, #12GND	
P-3000-086	3/4"	LP-FB-3/4	VAL-3004B	2#12, #12GND	

CONDUIT NO.	SIZE	FROM	TO	CONDUCTORS	REMARKS
P-3000-087	3/4"	LP-FB-3/4	VAL-3004C	2#12, #12GND	
P-3000-088	3/4"	LP-FB-3/4	VAL-3004D	2#12, #12GND	
P-3000-089	3/4"	LP-FB-3/4	VAL-3004E	2#12, #12GND	
P-3000-090	3/4"	LP-FB-3/4	VAL-3004F	2#12, #12GND	
P-3000-091	3/4"	LP-FB-3/4	VAL-3004G	2#12, #12GND	
P-3000-092	3/4"	LP-FB-3/4	VAL-3004H	2#12, #12GND	
P-3000-093	3/4"	LP-FB-3/4	LCP-3004	2#12, #12GND	
P-3000-094	3/4"	LP-FB-3/4	FIT-3004	2#12, #12GND	
P-3000-095	3/4"	LP-FB-3/4	AIT-3004	2#12, #12GND	
P-3000-096	3/4"	LP-FB-3/4	VAL-3006A	2#12, #12GND	
P-3000-097	3/4"	LP-FB-3/4	VAL-3006B	2#12, #12GND	
P-3000-098	3/4"	LP-FB-3/4	VAL-3006C	2#12, #12GND	
P-3000-099	3/4"	LP-FB-3/4	VAL-3006D	2#12, #12GND	
P-3000-100	3/4"	LP-FB-3/4	VAL-3006E	2#12, #12GND	
P-3000-101	3/4"	LP-FB-3/4	VAL-3006F	2#12, #12GND	
P-3000-102	3/4"	LP-FB-3/4	VAL-3006G	2#12, #12GND	
P-3000-103	3/4"	LP-FB-3/4	VAL-3006H	2#12, #12GND	
P-3000-104	3/4"	LP-FB-3/4	LCP-3006	2#12, #12GND	
P-3000-105	3/4"	LP-FB-3/4	FIT-3006	2#12, #12GND	
P-3000-106	3/4"	LP-FB-3/4	AIT-3006	2#12, #12GND	
P-3000-107	3/4"	LP-FB-3/4	VAL-3008A	2#12, #12GND	
P-3000-108	3/4"	LP-FB-3/4	VAL-3008B	2#12, #12GND	
P-3000-109	3/4"	LP-FB-3/4	VAL-3008C	2#12, #12GND	
P-3000-110	3/4"	LP-FB-3/4	VAL-3008D	2#12, #12GND	
P-3000-111	3/4"	LP-FB-3/4	VAL-3008E	2#12, #12GND	
P-3000-112	3/4"	LP-FB-3/4	VAL-3008F	2#12, #12GND	
P-3000-113	3/4"	LP-FB-3/4	VAL-3008G	2#12, #12GND	
P-3000-114	3/4"	LP-FB-3/4	VAL-3008H	2#12, #12GND	
P-3000-115	3/4"	LP-FB-3/4	LCP-3008	2#12, #12GND	
P-3000-116	3/4"	LP-FB-3/4	FIT-3008	2#12, #12GND	
P-3000-117	3/4"	LP-FB-3/4	AIT-3008	2#12, #12GND	
P-3000-118	3/4"	LP-FB-5/6	VAL-3009A	2#12, #12GND	
P-3000-119	3/4"	LP-FB-5/6	VAL-3009B	2#12, #12GND	
P-3000-120	3/4"	LP-FB-5/6	VAL-3009C	2#12, #12GND	
P-3000-121	3/4"	LP-FB-5/6	VAL-3009D	2#12, #12GND	
P-3000-122	3/4"	LP-FB-5/6	VAL-3009E	2#12, #12GND	
P-3000-123	3/4"	LP-FB-5/6	VAL-3009F	2#12, #12GND	
P-3000-124	3/4"	LP-FB-5/6	VAL-3009G	2#12, #12GND	
P-3000-125	3/4"	LP-FB-5/6	VAL-3009H	2#12, #12GND	
P-3000-126	3/4"	LP-FB-5/6	LCP-3009	2#12, #12GND	
P-3000-127	3/4"	LP-FB-5/6	FIT-3009	2#12, #12GND	
P-3000-128	3/4"	LP-FB-5/6	AIT-3009	2#12, #12GND	
P-3000-129	3/4"	LP-FB-5/6	VAL-3011A	2#12, #12GND	
P-3000-130	3/4"	LP-FB-5/6	VAL-3011B	2#12, #12GND	
P-3000-131	3/4"	LP-FB-5/6	VAL-3011C	2#12, #12GND	
P-3000-132	3/4"	LP-FB-5/6	VAL-3011D	2#12, #12GND	
P-3000-133	3/4"	LP-FB-5/6	VAL-3011E	2#12, #12GND	
P-3000-134	3/4"	LP-FB-5/6	VAL-3011F	2#12, #12GND	
P-3000-135	3/4"	LP-FB-5/6	VAL-3011G	2#12, #12GND	
P-3000-136	3/4"	LP-FB-5/6	VAL-3011H	2#12, #12GND	
P-3000-137	3/4"	LP-FB-5/6	LCP-3011	2#12, #12GND	
P-3000-138	3/4"	LP-FB-5/6	FIT-3011	2#12, #12GND	
P-3000-139	3/4"	LP-FB-5/6	AIT-3011	2#12, #12GND	
P-3000-140	3/4"	LP-FB-5/6	VAL-3013A	2#12, #12GND	
P-3000-141	3/4"	LP-FB-5/6	VAL-3013B	2#12, #12GND	
P-3000-142	3/4"	LP-FB-5/6	VAL-3013C	2#12, #12GND	
P-3000-143	3/4"	LP-FB-5/6	VAL-3013D	2#12, #12GND	
P-3000-144	3/4"	LP-FB-5/6	VAL-3013E	2#12, #12GND	
P-3000-145	3/4"	LP-FB-5/6	VAL-3013F	2#12, #12GND	
P-3000-146	3/4"	LP-FB-5/6	VAL-3013G	2#12, #12GND	
P-3000-147	3/4"	LP-FB-5/6	VAL-3013H	2#12, #12GND	
P-3000-148	3/4"	LP-FB-5/6	LCP-3013	2#12, #12GND	
P-3000-149	3/4"	LP-FB-5/6	FIT-3013	2#12, #12GND	
P-3000-150	3/4"	LP-FB-5/6	AIT-3013	2#12, #12GND	
P-3000-151	3/4"	LP-FB-5/6	VAL-3015A	2#12, #12GND	
P-3000-152	3/4"	LP-FB-5/6	VAL-3015B	2#12, #12GND	
P-3000-153	3/4"	LP-FB-5/6	VAL-3015C	2#12, #12GND	
P-3000-154	3/4"	LP-FB-5/6	VAL-3015D	2#12, #12GND	
P-3000-155	3/4"	LP-FB-5/6	VAL-3015E	2#12, #12GND	
P-3000-156	3/4"	LP-FB-5/6	VAL-3015F	2#12, #12GND	

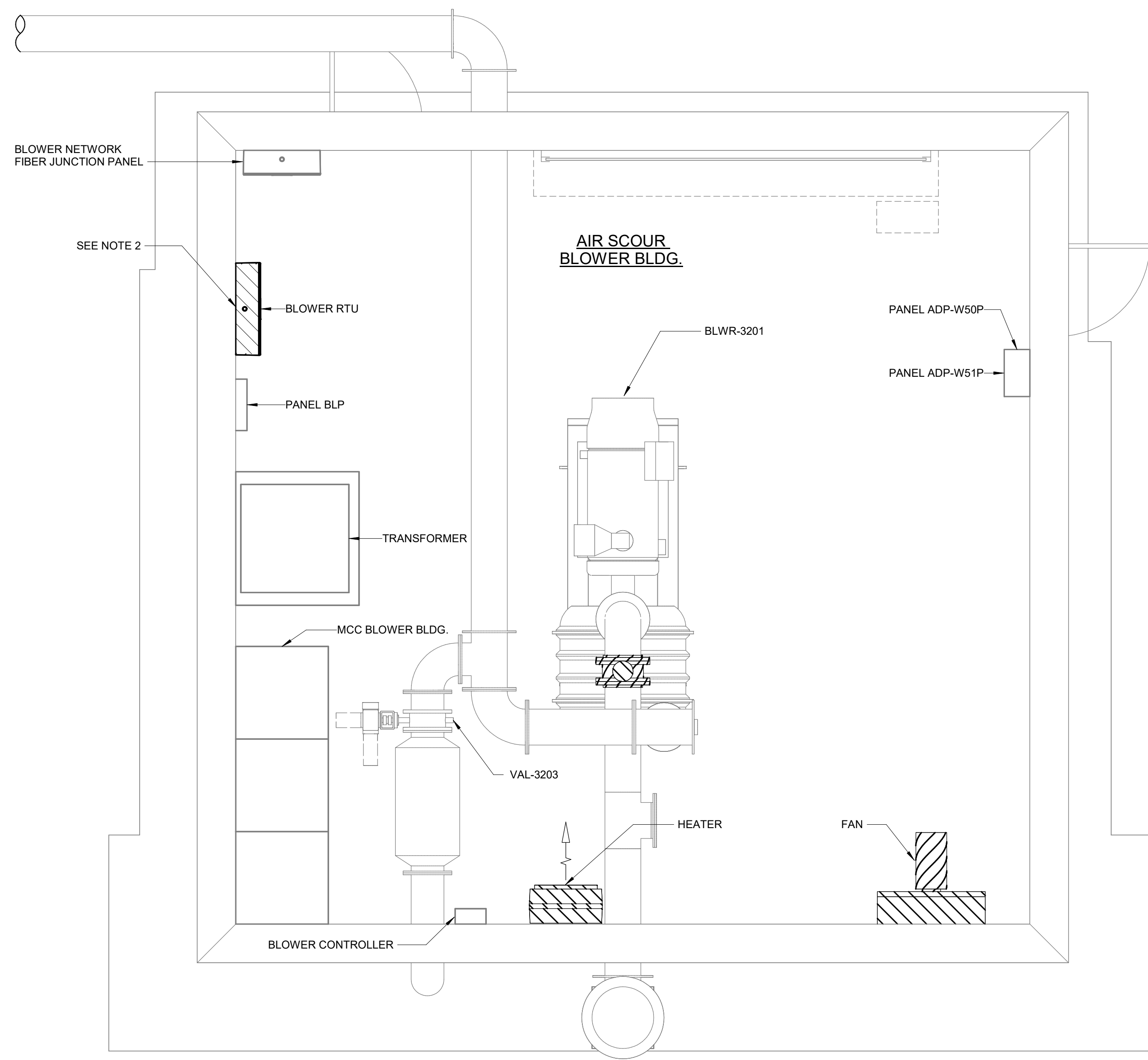
CONDUIT NO.	SIZE	FROM	TO	CONDUCTORS	REMARKS
C-3000-173	1"	CP-WIL-SR	CPB-ZOP	32#14, #14GND	
C-3000-174	3/4"	CPB-ZOP	PMP-6161	10#14, #14GND	
C-3000-175	3/4"	CPB-ZOP	PSH-6161	4#14, #14GND	
C-3000-176	3/4"	CPB-ZOP	PMP-6162	10#14, #14GND	
C-3000-177	3/4"	CPB-ZOP	PSH-6162	4#14, #14GND	
C-3000-178	3/4"	CPB-ZOP	FSH-6160	4#14, #14GND	
C-3000-179	3/4"	CP-WIL-SR	JB-LSH-6163	4#14, #14GND	
C-3000-180	3/4"	CP-WIL-SR	JB-LSH-6205	4#14, #14GND	
C-3000-181	1"	CP-WIL-SR	CPB-FLUORIDE-1	32#14, #14GND	
C-3000-182	3/4"	CPB-FLUORIDE-1	PMP-6211	10#14, #14GND	
C-3000-183	3/4"	CPB-FLUORIDE-1	PSH-6211	4#14, #14GND	
C-3000-184	3/4"	CPB-FLUORIDE-1	PMP-6212	10#14, #14GND	
C-3000-185	3/4"	CPB-FLUORIDE-1	PSH-6212	4#14, #14GND	
C-3000-186	3/4"	CPB-FLUORIDE-1	FSH-6205	4#14, #14GND	
C-3000-187	3/4"				
C-3000-188	3/4"				
C-3000-189	1"	FPP-WIL-FB	FPP-WIL-SHB	FO CABLE	VIA HH3, MH16
C-3000-190	1"	CP-WIL-SR	VCP-1500	8#14, #14GND	
C-3000-191	3/4"	VCP-1500	JB-LSH/LSL-1500	4#14, #14GND	
C-3000-192	3/4"	VCP-1500	JB-PMP-1501	4#14, #14GND	
C-3000-193	1"	FPP-WIL-FB	MH16	EMPTY W/ PULLSTRING	
C-3000-194	3/4"	VCP-1500	JB-LSHH-1500	4#14, #14GND	
C-3000-195	3/4"	CP-WIL-SR	DC2B	6#14, #14GND	
C-3000-196	3/4"	DC2B	LCS-3071	4#14, #14GND	
C-3000-197	3/4"	DC2B	LCS-3072	4#14, #14GND	
C-3000-198	-	-	-	NOT USED	
C-3000-199	-	-	-	NOT USED	
C-3000-200	-	-	-	NOT USED	
C-3000-201	-	-	-	NOT USED	
C-3000-202	-	-	-	NOT USED	
C-3000-203	-	-	-	NOT USED	
C-3000-204	-	-	-	NOT USED	
C-3000-205	-	-	-	NOT USED	

CONDUIT NO.	SIZE	FROM	TO	CONDUCTORS	REMARKS
I-3000-055	3/4"	FIT-3007	FE-3007	MAN. SUPPLIED CABLE	
I-3000-056	3/4"	IPB-FLT-7	AIT/AE-3007	2/C#16TSH, #14GND	
I-3000-057	1-1/4"	CP-WIL-FLT8	IPB-FLT-8	3(2/C#16TSH, #14GND)	
I-3000-058	1"	LCP-3008	JB-8-B/F/H	2(2/C#16TSH, #14GND)	
I-3000-059	3/4"	IPB-FLT-8	LIT-3008	2/C#16TSH, #14GND	
I-3000-060	3/4"	LIT-3008	LE-3008	MAN. SUPPLIED CABLE	
I-3000-061	3/4"	IPB-FLT-8	PIT-3008	2/C#16TSH, #14GND	
I-3000-062	3/4"	LCP-3008	FIT-3008	2/C#16TSH, #14GND	
I-3000-063	3/4"	FIT-3008	FE-3008	MAN. SUPPLIED CABLE	
I-3000-064	3/4"	IPB-FLT-8	AIT/AE-3008	2/C#16TSH, #14GND	
I-3000-065	1-1/4"	CP-WIL-FLT9	IPB-FLT-9	3(2/C#16TSH, #14GND)	
I-3000-066	1"	LCP-3009	JB-9-B/F/H	2(2/C#16TSH, #14GND)	
I-3000-067	3/4"	IPB-FLT-9	LIT-3009	2/C#16TSH, #14GND	
I-3000-068	3/4"	LIT-3009	LE-3009	MAN. SUPPLIED CABLE	
I-3000-069	3/4"	IPB-FLT-9	PIT-3009	2/C#16TSH, #14GND	
I-3000-070	3/4"	LCP-3009	FIT-3009	2/C#16TSH, #14GND	
I-3000-071	3/4"	FIT-3009	FE-3009	MAN. SUPPLIED CABLE	
I-3000-072	3/4"	IPB-FLT-9	AIT/AE-3009	2/C#16TSH, #14GND	
I-3000-073	1-1/4"	CP-WIL-FLT10	IPB-FLT-10	3(2/C#16TSH, #14GND)	
I-3000-074	1"	LCP-3010	JB-10-B/F/H	2(2/C#16TSH, #14GND)	
I-3000-075	3/4"	IPB-FLT-10	LIT-3010	2/C#16TSH, #14GND	
I-3000-076	3/4"	LIT-3010	LE-3010	MAN. SUPPLIED CABLE	
I-3000-077	3/4"	IPB-FLT-10	PIT-3010	2/C#16TSH, #14GND	
I-3000-078	3/4"	LCP-3010	FIT-3010	2/C#16TSH, #14GND	
I-3000-079	3/4"	FIT-3010	FE-3010	MAN. SUPPLIED CABLE	
I-3000-080	3/4"	IPB-FLT-10	AIT/AE-3010	2/C#16TSH, #14GND	
I-3000-081	1-1/4"	CP-WIL-FLT11	IPB-FLT-11	3(2/C#16TSH, #14GND)	
I-3000-082	1"	LCP-3011	JB-11-B/F/H	2(2/C#16TSH, #14GND)	
I-3000-083	3/4"	IPB-FLT-11	LIT-3011	2/C#16TSH, #14GND	
I-3000-084	3/4"	LIT-3011	LE-3011	MAN. SUPPLIED CABLE	
I-3000-085	3/4"	IPB-FLT-11	PIT-3011	2/C#16TSH, #14GND	
I-3000-086	3/4"	LCP-3011	FIT-3011	2/C#16TSH, #14GND	
I-3000-087	3/4"	FIT-3011	FE-3011	MAN. SUPPLIED CABLE	
I-3000-088	3/4"	IPB-FLT-11	AIT/AE-3011	2/C#16TSH, #14GND	
I-3000-089	1-1/4"	CP-WIL-FLT12	IPB-FLT-12	3(2/C#16TSH, #14GND)	
I-3000-090	1"	LCP-3012	JB-12-B/F/H	2(2/C#16TSH, #14GND)	
I-3000-091	3/4"	IPB-FLT-12	LIT-3012	2/C#16TSH, #14GND	
I-3000-092	3/4"	LIT-3012	LE-3012	MAN. SUPPLIED CABLE	
I-3000-093	3/4"	IPB-FLT-12	PIT-3012	2/C#16TSH, #14GND	
I-3000-094	3/4"	LCP-3012	FIT-3012	2/C#16TSH, #14GND	
I-3000-095	3/4"	FIT-3012	FE-3012	MAN. SUPPLIED CABLE	
I-3000-096	3/4"	IPB-FLT-12	AIT/AE-3012	2/C#16TSH, #14GND	
I-3000-097	1-1/4"	CP-WIL-FLT13	IPB-FLT-13	3(2/C#16TSH, #14GND)	
I-3000-098	1"	LCP-3013	JB-13-B/F/H	2(2/C#16TSH, #14GND)	
I-3000-099	3/4"	IPB-FLT-13	LIT-3013	2/C#16TSH, #14GND	
I-3000-100	3/4"	LIT-3013	LE-3013	MAN. SUPPLIED CABLE	
I-3000-101	3/4"	IPB-FLT-13	PIT-3013	2/C#16TSH, #14GND	
I-3000-102	3/4"	LCP-3013	FIT-3013	2/C#16TSH, #14GND	
I-3000-103	3/4"	FIT-3013	FE-3013	MAN. SUPPLIED CABLE	
I-3000-104	3/4"	IPB-FLT-13	AIT/AE-3013	2/C#16TSH, #14GND	
I-3000-105	1-1/4"	CP-WIL-FLT14	IPB-FLT-14	3(2/C#16TSH, #14GND)	
I-3000-106	1"	LCP-3014	JB-14-B/F/H	2(2/C#16TSH, #14GND)	
I-3000-107	3/4"	IPB-FLT-14	LIT-3014	2/C#16TSH, #14GND	
I-3000-108	3/4"	LIT-3014	LE-3014	MAN. SUPPLIED CABLE	
I-3000-109	3/4"	IPB-FLT-14	PIT-3014	2/C#16TSH, #14GND	
I-3000-110	3/4"	LCP-3014	FIT-3014	2/C#16TSH, #14GND	
I-3000-111	3/4"	FIT-3014	FE-3014	MAN. SUPPLIED CABLE	
I-3000-112	3/4"	IPB-FLT-14	AIT/AE-3014	2/C#16TSH, #14GND	
I-3000-113	1-1/4"	CP-WIL-FLT15	IPB-FLT-15	3(2/C#16TSH, #14GND)	
I-3000-114	1"	LCP-3015	JB-15-B/F/H	2(2/C#16TSH, #14GND)	
I-3000-115	3/4"	IPB-FLT-15	LIT-3015	2/C#16TSH, #14GND	
I-3000-116	3/4"	LIT-3015	LE-3015	MAN. SUPPLIED CABLE	
I-3000-117	3/4"	IPB-FLT-15	PIT-3015	2/C#16TSH, #14GND	
I-3000-118	3/4"	LCP-3015	FIT-3015	2/C#16TSH, #14GND	
I-3000-119	3/4"	FIT-3015	FE-3015	MAN. SUPPLIED CABLE	
I-3000-120	3/4"	IPB-FLT-15	AIT/AE-3015	2/C#16TSH, #14GND	
I-3000-121	1-1/4"	CP-WIL-FLT16	IPB-FLT-16	3(2/C#16TSH, #14GND)	
I-3000-122	1"	LCP-3016	JB-16-B/F/H	2(2/C#16TSH, #14GND)	
I-3000-123	3/4"	IPB-FLT-16	LIT-3016	2/C#16TSH, #14GND	
I-3000-124	3/4"	LIT-3016	LE-3016	MAN. SUPPLIED CABLE	
I-3000-125	3/4"	IPB-FLT-16	PIT-3016	2/C#16TSH, #14GND	
I-3000-126	3/4"	LCP-3016	FIT-3016	2/C#16TSH, #14GND	
I-3000-127	3/4"	FIT-3016	FE-3016	MAN. SUPPLIED CABLE	
I-3000-128	3/4"	IPB-FLT-16	AIT/AE-3016	2/C#16TSH, #14GND	
I-3000-129	3/4"	CP-WIL-AR	AIT/AE-2051	2/C#16TSH, #14GND	
I-3000-130	1-1/2"	CP-WIL-AR	AIT-2052	5(2/C#16TSH), #14GND	
I-3000-131	3/4"	AIT-2052	AE-2052	MAN. SUPPLIED CABLE	
I-3000-132	3/4"	AIT-2052	AE-2053	MAN. SUPPLIED CABLE	
I-3000-133	3/4"	CP-WIL-AR	AIT/AE-2120	2/C#16TSH, #14GND	
I-3000-134	3/4"	CP-WIL-AR	AIT/AE-2130	2/C#16TSH, #14GND	
I-3000-135	3/4"	CP-WIL-AR	AIT/AE-2220	2/C#16TSH, #14GND	
I-3000-136	3/4"	CP-WIL-AR	AIT/AE-2230	2/C#16TSH, #14GND	
I-3000-137	3/4"	CP-WIL-AR	AIT/AE-2320	2/C#16TSH, #14GND	
I-3000-138	3/4"	CP-WIL-AR	AIT/AE-2330	2/C#16TSH, #14GND	
I-3000-139	3/4"	CP-WIL-AR	AIT/AE-2420	2/C#16TSH, #14GND	
I-3000-140	3/4"	CP-WIL-AR	AIT/AE-2430	2/C#16TSH, #14GND	
I-3000-141	3/4"	CP-WIL-AR	AIT/AE-3071	2/C#16TSH, #14GND	
I-3000-142	3/4"	CP-WIL-AR	AIT/AE-3072	2/C#16TSH, #14GND	
I-3000-143	3/4"	CP-WIL-AR	AIT/AE-3073	2/C#16TSH, #14GND	

CONDUIT NO.	SIZE	FROM	TO	CONDUCTORS	REMARKS
I-3000-001	1-1/4"	CP-WIL-FLT1	IPB-FLT-1	3(2/C#16TSH, #14GND)	
I-3000-002	1"	LCP-3001	JB-1-B/F/H	2(2/C#16TSH, #14GND)	
I-3000-003	3/4"	IPB-FLT-1	LIT-3001	2/C#16TSH, #14GND	
I-3000-004	3/4"	LIT-3001	LE-3001	MAN. SUPPLIED CABLE	
I-3000-005	3/4"	IPB-FLT-1	PIT-3001	2/C#16TSH, #14GND	
I-3000-006	3/4"	LCP-3001	FIT-3001	2/C#16TSH, #14GND	
I-3000-007	3/4"	FIT-3001	FE-3001	MAN. SUPPLIED CABLE	
I-3000-008	3/4"	IPB-FLT-1	AIT/AE-3001	2/C#16TSH, #14GND	
I-3000-009	1-1/4"	CP-WIL-FLT2	IPB-FLT-2	3(2/C#16TSH, #14GND)	
I-3000-010	1"	LCP-3002	JB-2-B/F/H	2(2/C#16TSH, #14GND)	
I-3000-011	3/4"	IPB-FLT-2	LIT-3002	2/C#16TSH, #14GND	
I-3000-012	3/4"	LIT-3002	LE-3002	MAN. SUPPLIED CABLE	
I-3000-013	3/4"	IPB-FLT-2	PIT-3002	2/C#16TSH, #14GND	
I-3000-014	3/4"	LCP-3002	FIT-3002	2/C#16TSH, #14GND	
I-3000-015	3/4"	FIT-3002	FE-3002	MAN. SUPPLIED CABLE	
I-3000-016	3/4"	IPB-FLT-2	AIT/AE-3002	2/C#16TSH, #14GND	
I-3000-017	1-1/4"	CP-WIL-FLT3	IPB-FLT-3	3(2/C#16TSH, #14GND)	
I-3000-018	1"	LCP-3003	JB-3-B/F/H	2(2/C#16TSH, #14GND)	
I-3000-019	3/4"	IPB-FLT-3	LIT-3003	2/C#16TSH, #14GND	
I-3000-020	3/4"	LIT-3003	LE-3003	MAN. SUPPLIED CABLE	
I-3000-021	3/4"	IPB-FLT-3	PIT-3003	2/C#16TSH, #14GND	
I-3000-022	3/4"	LCP-3003	FIT-3003	2/C#16TSH, #14GND	
I-3000-023	3/4"	FIT-3003	FE-3003	MAN. SUPPLIED CABLE	
I-3000-024	3/4"	IPB-FLT-3	AIT/AE-3003	2/C#16TSH, #14GND	
I-3000-025	1-1/4"	CP-WIL-FLT4	IPB-FLT-4	3(2/C#16TSH, #14GND)	
I-3000-026	1"	LCP-3004	JB-4-B/F/H	2(2/C#16TSH, #14GND)	
I-3000-027	3/4"	IPB-FLT-4	LIT-3004	2/C#16TSH, #14GND	
I-3000-028	3/4"	LIT-3004	LE-3004	MAN. SUPPLIED CABLE	
I-3000-029	3/4"	IPB-FLT-4	PIT-3004	2/C#16TSH, #14GND	
I-3000-030	3/4"	LCP-3004	FIT-3004	2/C#16TSH, #14GND	
I-3000-031	3/4"	FIT-3004	FE-3004	MAN. SUPPLIED CABLE	
I-3000-032	3/4"	IPB-FLT-4	AIT/AE-3004	2/C#16TSH, #14GND	
I-3000-033	1-1/4"	CP-WIL-FLT5	IPB-FLT-5	3(2/C#16TSH, #14GND)	
I-3000-034	1"	LCP-3005	JB-5-B/F/H	2(2/C#16TSH, #14GND)	
I-3000-035	3/4"	IPB-FLT-5	LIT-3005	2/C#16TSH, #14GND	
I-3000-036	3/4"	LIT-3005	LE-3005	MAN. SUPPLIED CABLE	
I-3000-037	3/4"	IPB-FLT-5	PIT-3005	2/C#16TSH, #14GND	
I-3000-038	3/4"	LCP-3005	FIT-3005	2/C#16TSH, #14GND	
I-3000-039	3/4"	FIT-3005	FE-3005	MAN. SUPPLIED CABLE	
I-3000-040	3/4"	IPB-FLT-5	AIT/AE-3005	2/C#16TSH, #14GND	
I-3000-041	1-1/4"	CP-WIL-FLT6	IPB-FLT-6	3(2/C#16TSH, #14GND)	
I-3000-042	1"	LCP-3006	JB-6-B/F/H	2(2/C#16TSH, #14GND)	
I-3000-043	3/4"	IPB-FLT-6	LIT-3006	2/C#16TSH, #14GND	
I-3000-044	3/4"	LIT-3006	LE-3006	MAN. SUPPLIED CABLE	
I-3000-045	3/4"	IPB-FLT-6	PIT-3006	2/C#16TSH, #14GND	
I-3000-046	3/4"	LCP-3006	FIT-3006	2/C#16TSH, #14GND	
I-3000-047	3/4"	FIT-3006	FE-3006	MAN. SUPPLIED CABLE	
I-3000-048	3/4"	IPB-FLT-6	AIT/AE-3006	2/C#16TSH, #14GND	
I-3000-049	1-1/4"	CP-WIL-FLT7	IPB-FLT-7	3(2/C#16TSH, #14GND)	
I-3000-050	1"	LCP-3007	JB-7-B/F/H	2(2/C#16TSH, #14GND)	
I-3000-051	3/4"	IPB-FLT-7	LIT-3007	2/C#16TSH, #14GND	
I-3000-052	3/4"	LIT-3007	LE-3007	MAN. SUPPLIED CABLE	
I-3000-053	3/4"	IPB-FLT-7	PIT-3007	2/C#16TSH, #14GND	
I-3000-054	3/4"	LCP-3007	FIT-3007	2/C#16TSH	



- NOTES:**
1. REFERENCE OTHER DISCIPLINE DRAWINGS FOR ADDITIONAL DEMOLITION REQUIREMENTS.
 2. DISCONNECT AND REMOVE BLOWER RTU INSIDE EXISTING PULLBOX. PULLBOX TO BE DEMOLISHED AND REPLACED IN-KIND. PRESERVE CONNECTED WIRE.



DEMOLITION PLAN
3/8" = 1'-0"

GMP SUBMITTAL. DO NOT USE FOR CONSTRUCTION.

Autodesk Docs/60711-001_Wilson_WTP_Rehab_Filter_Basins/60711-003-3300-ASBB-ELEC.rvt
 11/19/2024 12:29:56 AM

REV	ISSUED FOR	DATE	BY

PROJECT MANAGER:	T. HUDSON
DESIGNED BY:	N. NELSON
DRAWN BY:	N. NELSON
PROJECT ENGINEER:	B. BUELTEL
IF THIS BAR DOES NOT MEASURE 1" THEN DRAWING IS NOT TO FULL SCALE	



Hazen

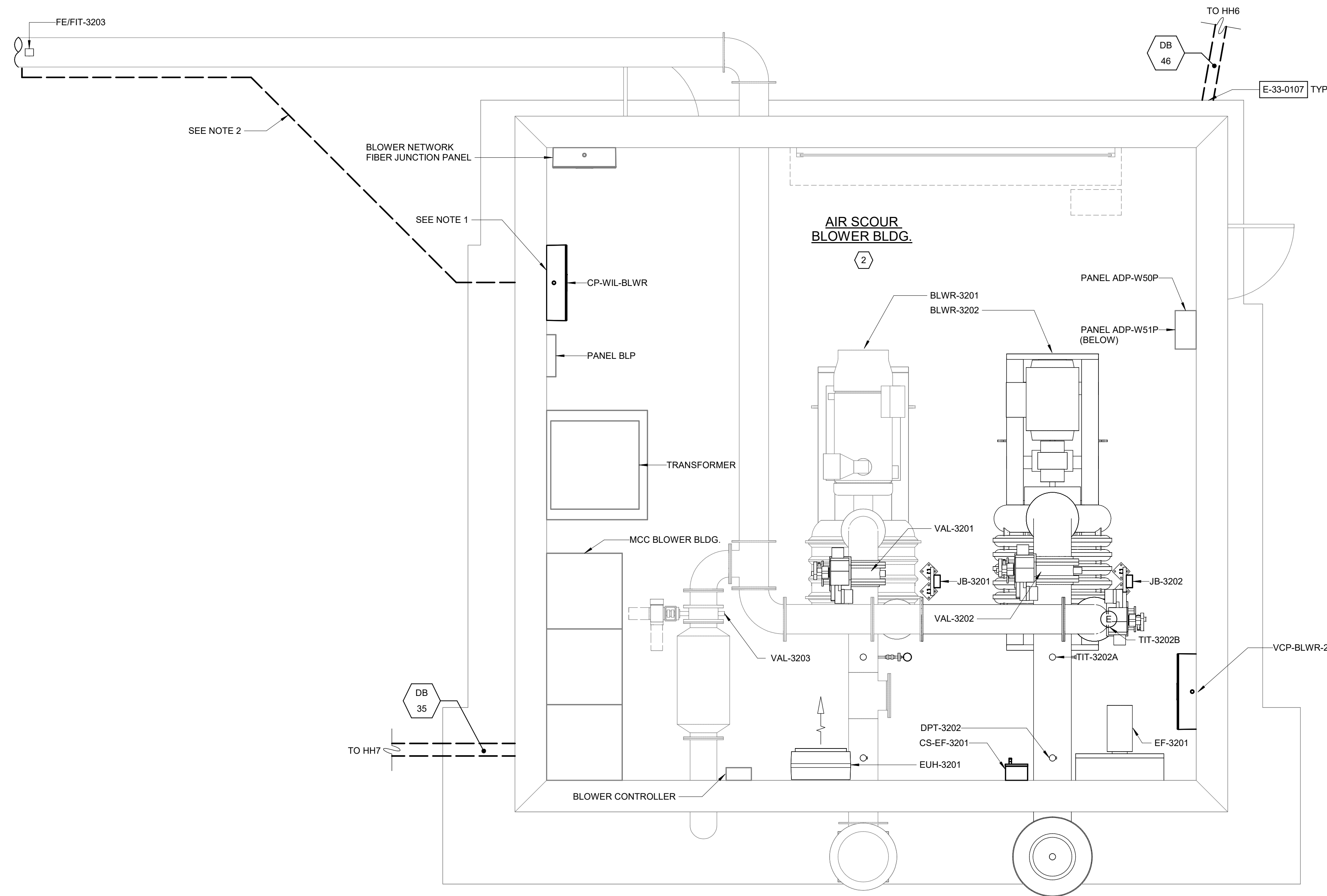
HAZEN AND SAWYER
 8150 N. CENTRAL EXPRESSWAY
 TOWER II - SUITE 700
 DALLAS, TEXAS 75206

CENTRAL ARKANSAS WATER
 LITTLE ROCK, ARKANSAS

JACK H. WILSON WTP RENEWAL
 AND RESILIENCY PROJECT

AIR SCOUR BLOWER BUILDING
 ELECTRICAL
 DEMOLITION PLAN

DATE:	NOVEMBER 2024
HAZEN NO.:	60711-003
CONTRACT NO.:	1
DRAWING NUMBER:	E3200



POWER PLAN
3/8" = 1'-0"

NOTES:

1. REPLACE PULL BOX IN-KIND AND LOCATE NEW CP-WIL-BLWR INSIDE OF NEW BOX. RECONNECT CP-WIL-BLWR TO EXISTING BLOWER RTU CIRCUIT USING EXISTING BLOWER RTU WIRE.
2. CONDUIT TO FLOW METER SHALL BE ROUTED DIRECT BURIED FROM THE BUILDING, OVER TO THE PIPE SUPPORT LEG NEAREST TO THE FLOW METER. CONDUIT SHALL THEN BE ROUTED UP THE SUPPORT LEG AND THEN OVER TO THE METER. APPROXIMATE CONDUIT ROUTE FROM BUILDING IS SHOWN. COORINATE WITH FIELD REQUIREMENTS.
3. PROPOSED BLOWER IMPROVEMENTS SHALL BE DEPENDENT ON SELECTED FILTER UNDERDRAIN MANUFACTURER. BLOWER IMPROVEMENTS FOR PLASTIC DUAL-LATERAL UNDERDRAINS ARE SHOWN ON SHEETS M3201 AND M3202. BLOWER IMPROVEMENTS FOR FOLDED SST PLATE UNDERDRAINS IN ADDITION TO THOSE SHOWN ON SHEETS M3201 AND M3202 ARE AS FOLLOWS:

- EXISTING BLOWER TO BE REPLACED, SEE SPECIFICATION 43 11 18 FOR DETAILS.

- REPLACEMENT TO EXISTING BLOWER SHALL INCLUDE: BLOWER MOTOR STARTER LOCATED IN SAME MCC LOCATION AS EXISTING STARTER, MOTOR ACTUATED INLET THROTTLING VALVE, AND BLOWER CONTROL PANEL.

- SEE MECHANICAL AND INSTRUMENTATION DRAWINGS FOR ADDITIONAL IMPROVEMENTS.

AREA DESIGNATIONS:

- ① INDOOR WET PROCESS AREA
- ② INDOOR DRY PROCESS AREA
- ③ INDOOR DRY NON-PROCESS AREA

GMP SUBMITTAL. DO NOT USE FOR CONSTRUCTION.

Autodesk Docs/60711-001_Wilson_WTP_Rehab_Elec_Basem60711-003-3300-ASBB-ELEC.rvt 11/20/24 2:29:56 AM

PROJECT MANAGER:	T. HUDSON
DESIGNED BY:	N. NELSON
DRAWN BY:	N. NELSON
PROJECT ENGINEER:	B. BUELTEL
IF THIS BAR DOES NOT MEASURE 1" THEN DRAWING IS NOT TO FULL SCALE	0 1/2" 1"
REV	ISSUED FOR
	DATE
	BY



Hazen
HAZEN AND SAWYER
8150 N. CENTRAL EXPRESSWAY
TOWER II - SUITE 700
DALLAS, TEXAS 75206

CENTRAL ARKANSAS WATER
LITTLE ROCK, ARKANSAS

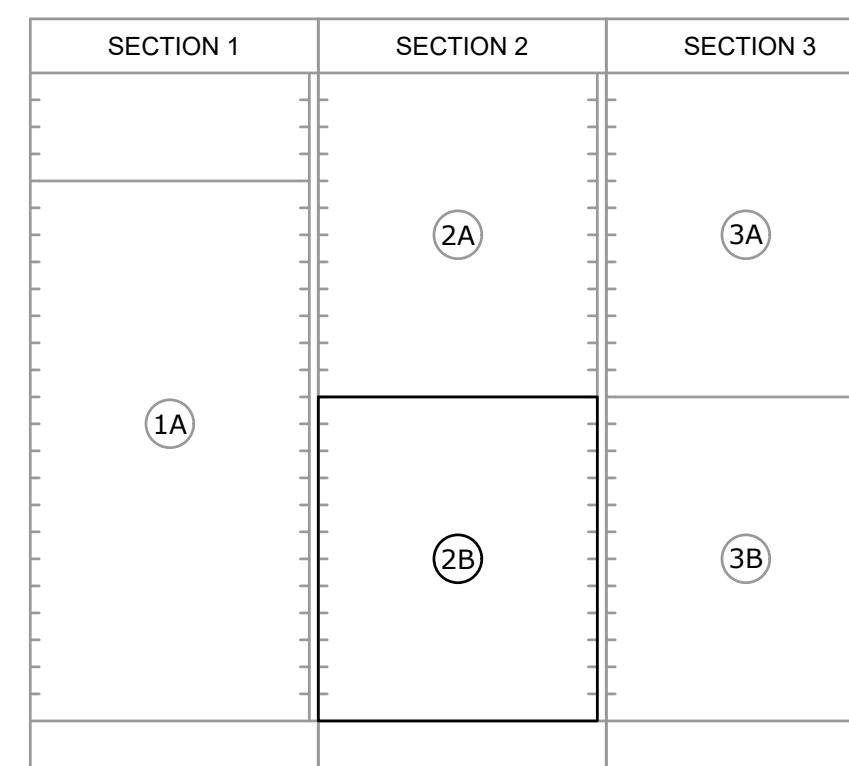
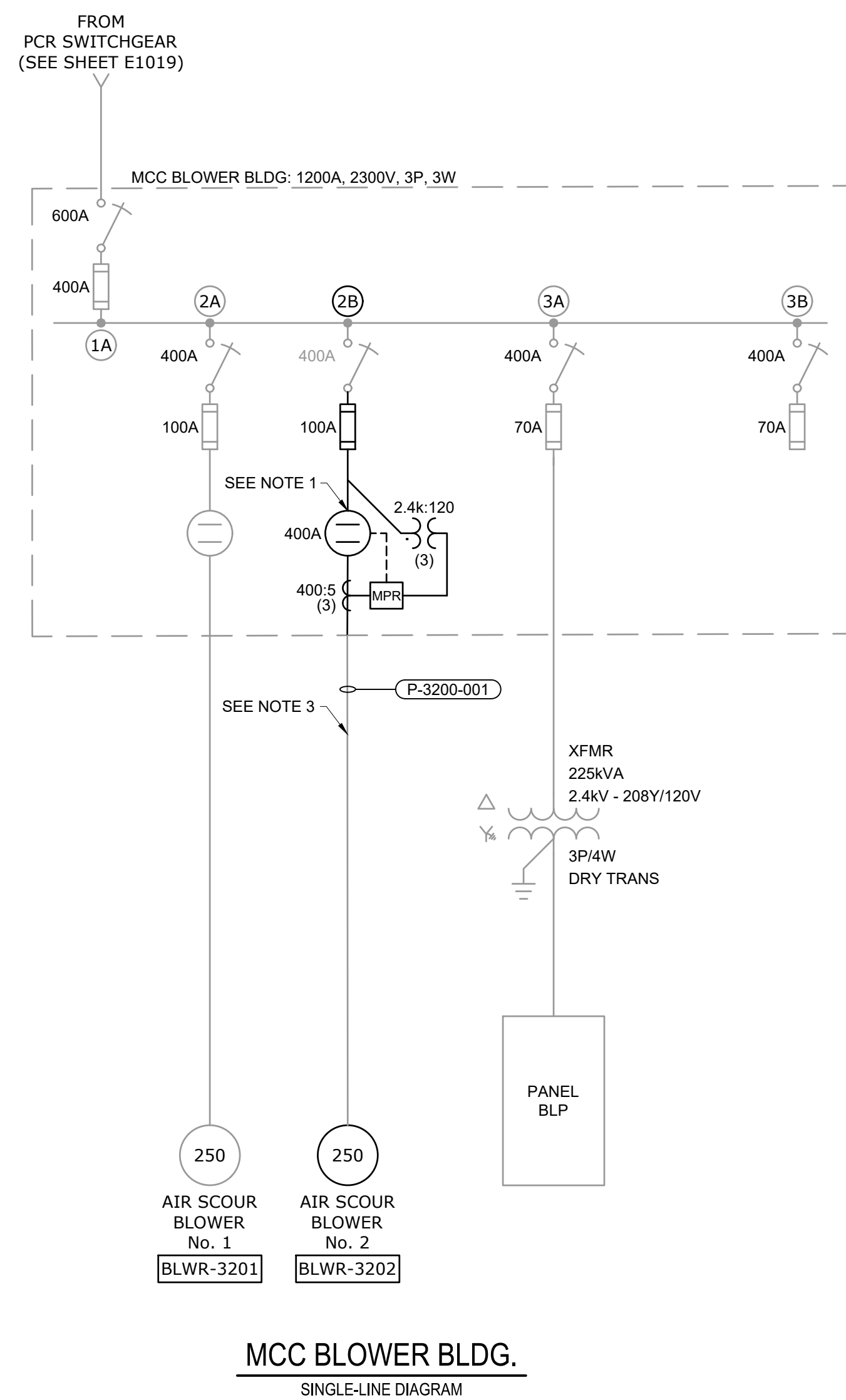
JACK H. WILSON WTP RENEWAL
AND RESILIENCY PROJECT

AIR SCOUR BLOWER BUILDING
ELECTRICAL
POWER PLAN

DATE:	NOVEMBER 2024
HAZEN NO.:	60711-003
CONTRACT NO.:	1
DRAWING NUMBER:	E3201

NOTES:

1. FURNISH AND INSTALL FULL VOLTAGE NON-REVERSING MOTOR CONTROLLER IN EXISTING SPACE AS SHOWN. MOTOR CONTROLLER SHALL INCLUDE, AT A MINIMUM, A THREE-POLE VACUUM CONTACTOR WITH MECHANICAL INTERLOCK, MOTOR PROTECTION RELAY, CONTROL POWER TRANSFORMER, POTENTIAL TRANSFORMER, CURRENT LIMITING POWER FUSES, CURRENT TRANSFORMERS, AND ALL ANCILLARY COMPONENTS REQUIRED FOR SATISFACTORY OPERATION. MOTOR PROTECTION RELAY SHALL BE A GE MULTILIN 869 OR SEL EQUIVALENT.
2. EXISTING MCC BLOWER BLDG. IS A GE LIMITAMP CONTROL CENTER; MODEL IC1074B200C, CAT. 0676X0689V01A01.
3. USE EXISTING 2" SPARE FROM MCC BLOWER TO NEW BLOWER LOCATION. EXISTING CONDUIT HAS BEEN NUMBERED FOR CLARITY.



MCC BLOWER BLDG. ELEVATION
N.T.S.

File: C:\USERS\NINELSON\DRAWING\HAZEN AND SAWYER\PROJECT FILES\900_ELECTRICAL\E3202 Saved by SCHAVEZ Save date: 11/14/2024 12:28 PM
PLOT DATE: 11/19/2024 1:47 PM BY: NINELSON

GMP SUBMITTAL. DO NOT USE FOR CONSTRUCTION.

PROJECT MANAGER:	T. HUDSON
DESIGNED BY:	N. NELSON
DRAWN BY:	N. NELSON
PROJECT ENGINEER:	B. BUELTEL
IF THIS BAR DOES NOT MEASURE 1" THEN DRAWING IS NOT TO FULL SCALE	0 1/2" 1"
REV	ISSUED FOR DATE BY



Hazen
HAZEN AND SAWYER
8150 N. CENTRAL EXPRESSWAY
TOWER II - SUITE 700
DALLAS, TEXAS 75206

CENTRAL ARKANSAS WATER
LITTLE ROCK, ARKANSAS
JACK H. WILSON WTP RENEWAL AND
RESILIENCY PROJECT

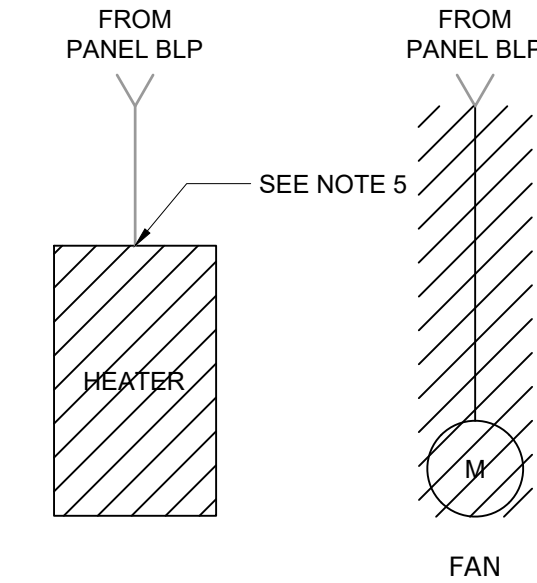
AIR SCOUR BLOWER BUILDING
ELECTRICAL
MCC AIR BLOWER BLDG. SINGLE-LINE DIAGRAM
AND ELEVATION

DATE:	NOVEMBER 2024
HAZEN NO.:	60711-003
CONTRACT NO.:	1
DRAWING NUMBER:	E3202

208/120 VOLTS 3 PHASE, 4 WIRE				PANEL BLP MAIN BREAKER 600A 3P				TYPE: NEMA 1 MOUNT: SURFACE						
MODS	DESCRIPTION	WIRE	TRIP	POLE	CKT No.	VOLT-AMPERES			CKT No.	POLE	TRIP	WIRE	DESCRIPTION	MODS
						A	B	C						
	HEATER		50	3	1	-	-	-	2	1	20		ADP-W301	
	FAN		20	3	3	-	-	-	4	1	20		LIGHTS	
					5	-	-	-	6	1	20		RECEPTACLES	
					7	-	-	-	8	1	20		BLOWER PANEL	
	PRZ HEATER & RECEPT		20	1	13	-	-	-	10	1	20		UNKNOWN	
	UNKNOWN		20	1	15	-	-	-	12	1	20		UNKNOWN	
	UNKNOWN		20	1	17	-	-	-	14	1	20		AIR/WIL BLOWER CONTR. PNL	
	BACKWASH CONTROL PANEL		20	1	19	-	-	-	16	1	20		UNKNOWN	
					21	-	-	-	18	1	20		UNKNOWN	
	CLAY VALVE		20	3	23	-	-	-	20	1	20		UNKNOWN	
					25	-	-	-	22	1	20		UNKNOWN	
					27	-	-	-	24	1	20		UNKNOWN	
	UNKNOWN		60	3	29	-	-	-	26				UNKNOWN	
					31	-	-	-	28	3	60		UNKNOWN	
					33	-	-	-	30				SPACE	
	SPACE				35	-	-	-	32	1			SPACE	
	SPACE				37	-	-	-	34	1			SPACE	
	SPACE				39	-	-	-	36	1			SPACE	
	SPACE				41	-	-	-	38	1			SPACE	
					43	-	-	-	40	1			SPACE	
					45	-	-	-	42	1			SPACE	
TOTAL						0	0	0	TOTAL					
PHASE TOTAL						0	0	0	TOTAL LOAD (VA)					
						0	0	0	TOTAL LOAD (A)					
						0	0	0						

MODIFICATION (MODS) LEGEND:
 EPD - GROUND FAULT CIRCUIT INTERRUPTER (30mA)
 GFCI - GROUND FAULT CIRCUIT INTERRUPTER (5mA)
 LOD - LOCK-ON DEVICE
 LFD - LOCK-OFF DEVICE

NOTES:
65KAIC

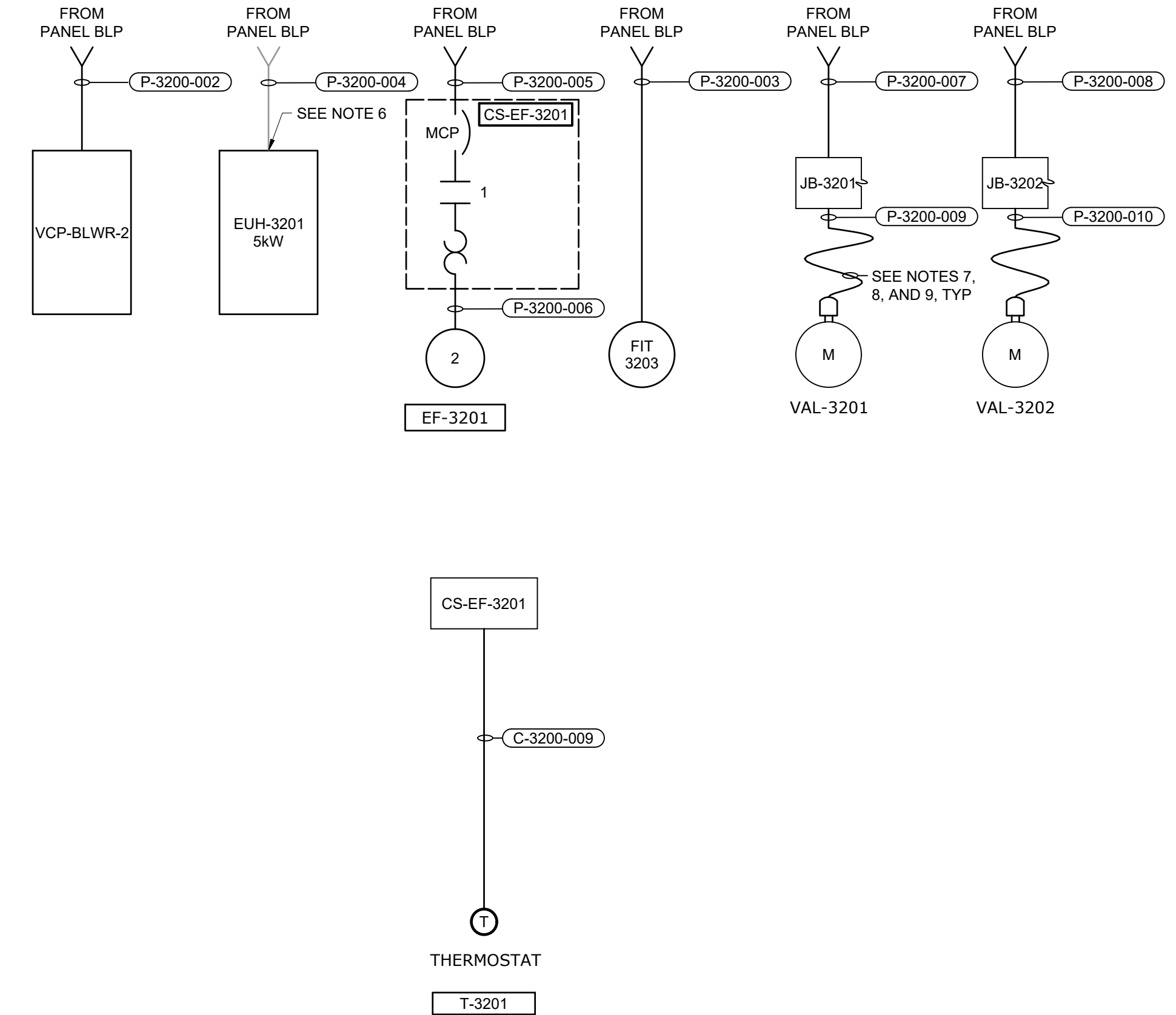


- NOTES:
- EXISTING PANEL BLP IS A GE A SERIES PANELBOARD; CAT. AQF3426JBX.
 - DISCONNECT AND DEMOLISH EXISTING BREAKERS. FURNISH AND INSTALL NEW BREAKERS BASED ON PROPOSED PANEL SCHEDULE ON THIS SHEET.
 - FURNISH AND INSTALL NEW CIRCUIT BREAKER IN EXISTING SPACE.
 - CONTRACTOR SHALL UPDATE EXISTING PANEL BLP SCHEDULE TO REFLECT CHANGES SHOWN.
 - DISCONNECT AND REMOVE CONDUCTORS. PRESERVE CONDUIT FOR REUSE.
 - REUSE CONDUIT FOR EQUIPMENT TO BE REPLACED IN-KIND. EXISTING CONDUIT HAS BEEN NUMBERED FOR CLARITY.
 - PROVIDE FLEXIBLE POWER PIGTAIL CORD AND PLUG AS SPECIFIED IN SECTION 26 05 19. TERMINATE CONDUCTORS IN JUNCTION BOX WITH TERMINAL STRIPS. INSTALL MINI CHANGE, A-SIZE 3 POLE, FEMALE RECEPTACLE INTO CONDUIT HUB ON MOTOR ACTUATOR FOR POWER CONNECTION.
 - PROVIDE FLEXIBLE CONTROLS PIGTAIL CORD AND PLUG AS SPECIFIED IN SECTION 26 05 19. TERMINATE CONDUCTORS IN JUNCTION BOX WITH TERMINAL STRIPS. INSTALL MINI CHANGE, C-SIZE 10 POLE, MALE RECEPTACLE INTO CONDUIT HUB ON MOTOR ACTUATOR FOR CONTROLS CONNECTION.
 - POWER AND CONTROLS WIRING SHALL TERMINATE IN SAME JUNCTION BOX. PIGTAIL CORDS FOR BOTH POWER AND CONTROLS FROM JUNCTION BOX TO ACTUATOR SHALL BE RAN IN SAME CONDUIT. SEE SHEET E3205 FOR CONTROLS CONNECTION FROM CP-WIL-BLWR TO JUNCTION BOX.

208/120 VOLTS 3 PHASE, 4 WIRE				PANEL BLP MAIN BREAKER 600A 3P				TYPE: NEMA 1 MOUNT: SURFACE						
MODS	DESCRIPTION	WIRE	TRIP	POLE	CKT No.	VOLT-AMPERES			CKT No.	POLE	TRIP	WIRE	DESCRIPTION	MODS
						A	B	C						
	EUH-3201	P-3200-004	20	3	1	-	-	-	2	1	20		ADP-W301	
	EF-3201	P-3200-005	20	3	3	-	-	-	4	1	20		LIGHTS	
					5	-	-	-	6	1	20		RECEPTACLES	
					7	-	-	-	8	1	20		BLOWER PANEL	
	PRZ HEATER & RECEPT		20	1	13	-	-	-	10	1	20		UNKNOWN	
	UNKNOWN		20	1	15	-	-	-	12	1	20		UNKNOWN	
	UNKNOWN		20	1	17	-	-	-	14	1	20		AIR/WIL BLOWER CONTR. PNL	
	BACKWASH CONTROL PANEL		20	1	19	-	-	-	16	1	20		UNKNOWN	
					21	-	-	-	18	1	20		UNKNOWN	
	CLAY VALVE		20	3	23	-	-	-	20	1	20		UNKNOWN	
					25	-	-	-	22	1	20		UNKNOWN	
					27	-	-	-	24	1	20		UNKNOWN	
	UNKNOWN		60	3	29	-	-	-	26				UNKNOWN	
					31	-	-	-	28	3	60		UNKNOWN	
					33	-	-	-	30				SPACE	
	FIT-3203	P-3200-003	20	1	33	-	-	-	32	1	20	P-3200-002	VCP-BLWR-2	
	VAL-3201	P-3200-007	10	1	35	-	-	-	34	1			SPACE	
	VAL-3202	P-3200-008	10	1	37	250	-	-	36	1			SPACE	
	SPACE				39	-	-	-	38	1			SPACE	
	SPACE				41	-	-	-	40	1			SPACE	
					43	-	-	-	42	1			SPACE	
TOTAL						250	100	250	TOTAL					
PHASE TOTAL						350	100	250	TOTAL LOAD (VA)					
						100	0	0	TOTAL LOAD (A)					
						2	0	0						

MODIFICATION (MODS) LEGEND:
 EPD - GROUND FAULT CIRCUIT INTERRUPTER (30mA)
 GFCI - GROUND FAULT CIRCUIT INTERRUPTER (5mA)
 LOD - LOCK-ON DEVICE
 LFD - LOCK-OFF DEVICE

NOTES:
65KAIC



AIR SCOUR BLOWER BUILDING
CONTROL BLOCK DIAGRAM

GMP SUBMITTAL. DO NOT USE FOR CONSTRUCTION.

File: C:\USERS\NINELSON\Documents\HAZEN AND SAWYER\60711-001_WILSON_WTP_REHAB_FILTER_BASINPROJECT FILES\00_ELECTRICAL\E3203 Saved by SCHAVEZ Save date: 11/18/2024 1:02 AM
 PLOT DATE: 11/19/2024 1:47 PM BY: NINELSON

PROJECT MANAGER:	T. HUDSON
DESIGNED BY:	N. NELSON
DRAWN BY:	N. NELSON
PROJECT ENGINEER:	B. BUELTEL
IF THIS BAR DOES NOT MEASURE 1" THEN DRAWING IS NOT TO FULL SCALE	0 1/2" 1"



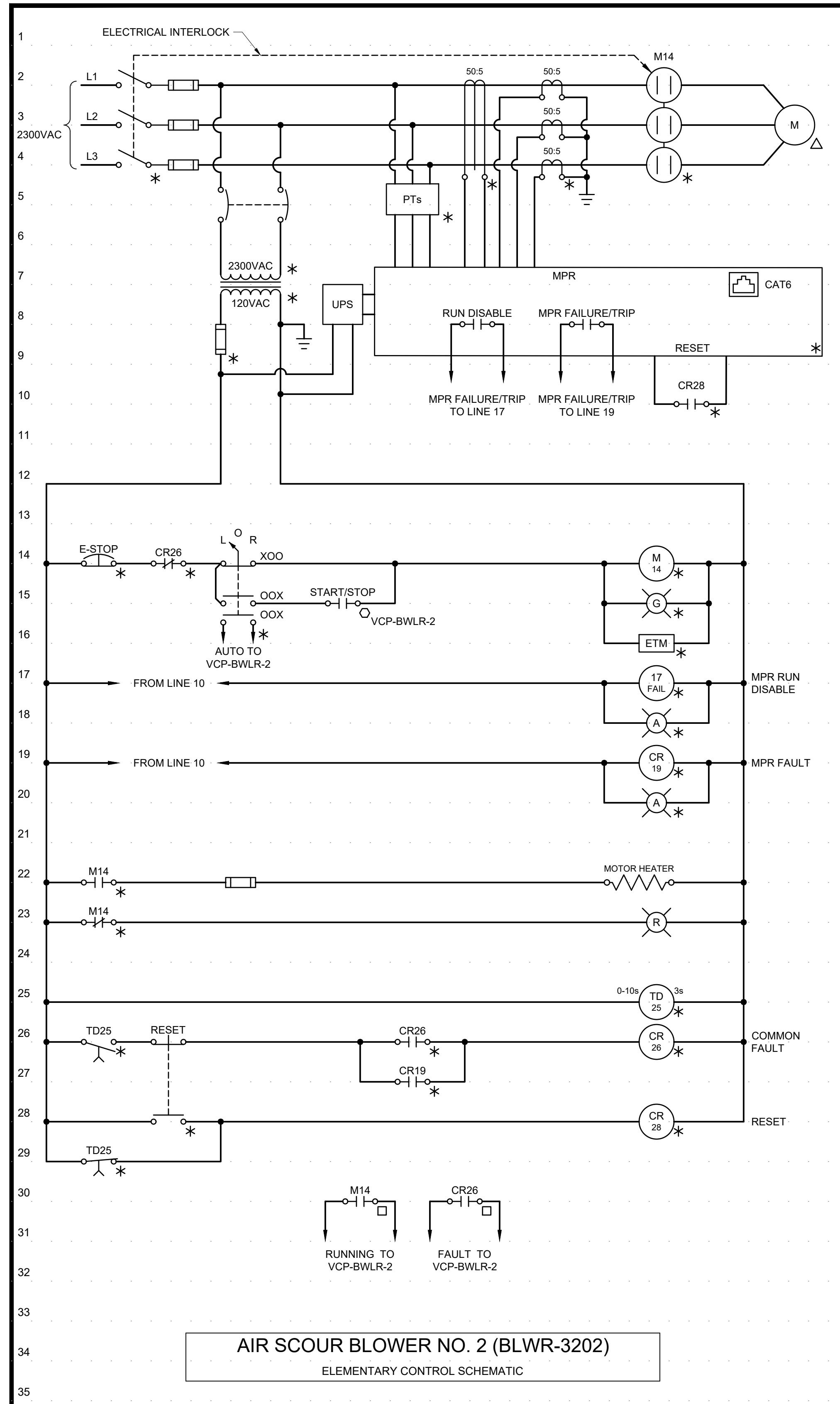
Hazen
 HAZEN AND SAWYER
 8150 N. CENTRAL EXPRESSWAY
 TOWER II - SUITE 700
 DALLAS, TEXAS 75206

CENTRAL ARKANSAS WATER
 LITTLE ROCK, ARKANSAS
 JACK H. WILSON WTP RENEWAL AND
 RESILIENCY PROJECT

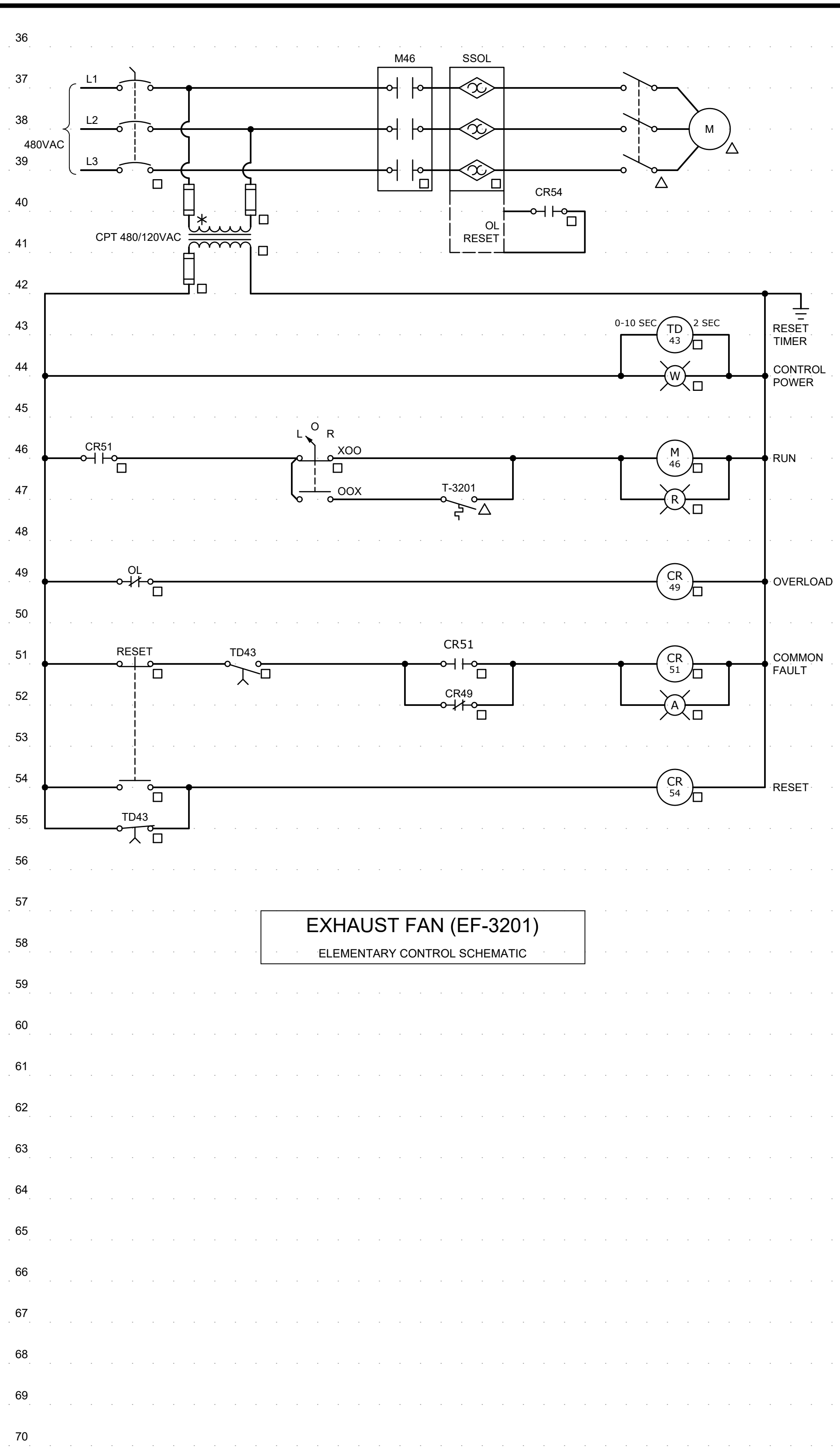
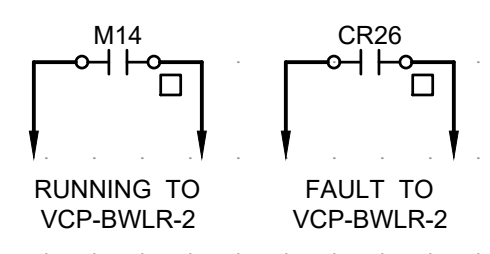
AIR SCOUR BLOWER BUILDING
 ELECTRICAL
 PANEL SCHEDULE RISER DIAGRAM AND
 CONTROL BLOCK DIAGRAM

DATE:	NOVEMBER 2024
HAZEN NO.:	60711-003
CONTRACT NO.:	1
DRAWING NUMBER:	E3203

File: C:\USERS\NINELSON\ACC\PROJECTS\HAZEN AND SAWYER\60711-001_WILSON_WTP_REHAB_FILTER_BASIN\PROJECT FILES\900_ELECTRICAL\E3204 Saved by SCHAVEZ Save date: 11/18/2024 1:03 AM
 PLOT DATE: 11/19/2024 1:47 PM BY: NINELSON



AIR SCOUR BLOWER NO. 2 (BLWR-3202)
 ELEMENTARY CONTROL SCHEMATIC



EXHAUST FAN (EF-3201)
 ELEMENTARY CONTROL SCHEMATIC

- NOTES:**
1. THE BLOWER MANUFACTURER SHALL PROVIDE RECOMMENDED PROTECTION SETTINGS AND SET-POINTS TO BE PROGRAMMED BY THE MOTOR STARTER FACTORY REPRESENTATIVE. AT A MINIMUM, THE FOLLOWING PROTECTION AND CONTROL FUNCTIONS SHALL BE PROVIDED:
 - A. MOTOR RUNNING TIME OVERCURRENT: DEVICE 49/51
 - B. ZERO-SEQUENCE GROUND FAULT: DEVICE 50G/51G
 - C. ADJUSTABLE INSTANTANEOUS OVERCURRENT: DEVICE 50
 - D. UNDERLOAD TRIP WITH START AND RUN TIME DELAYS: DEVICE 37
 - E. CURRENT UNBALANCE: DEVICE 46
 - F. INCOMPLETE SEQUENCE DELAY: DEVICE 48
 - G. LIMITATION ON NUMBER OF STARTS PER TIME-PERIOD: DEVICE 66
 - H. JAM TRIP WITH START AND RUN TIME DELAYS

GMP SUBMITTAL. DO NOT USE FOR CONSTRUCTION.

PROJECT MANAGER:	T. HUDSON
DESIGNED BY:	S. CHAVEZ
DRAWN BY:	S. CHAVEZ
PROJECT ENGINEER:	B. BUELTEL
IF THIS BAR DOES NOT MEASURE 1" THEN DRAWING IS NOT TO FULL SCALE	0 1/2" 1"



Hazen

HAZEN AND SAWYER
 8150 N. CENTRAL EXPRESSWAY
 TOWER II - SUITE 700
 DALLAS, TEXAS 75206

CENTRAL ARKANSAS WATER
 LITTLE ROCK, ARKANSAS

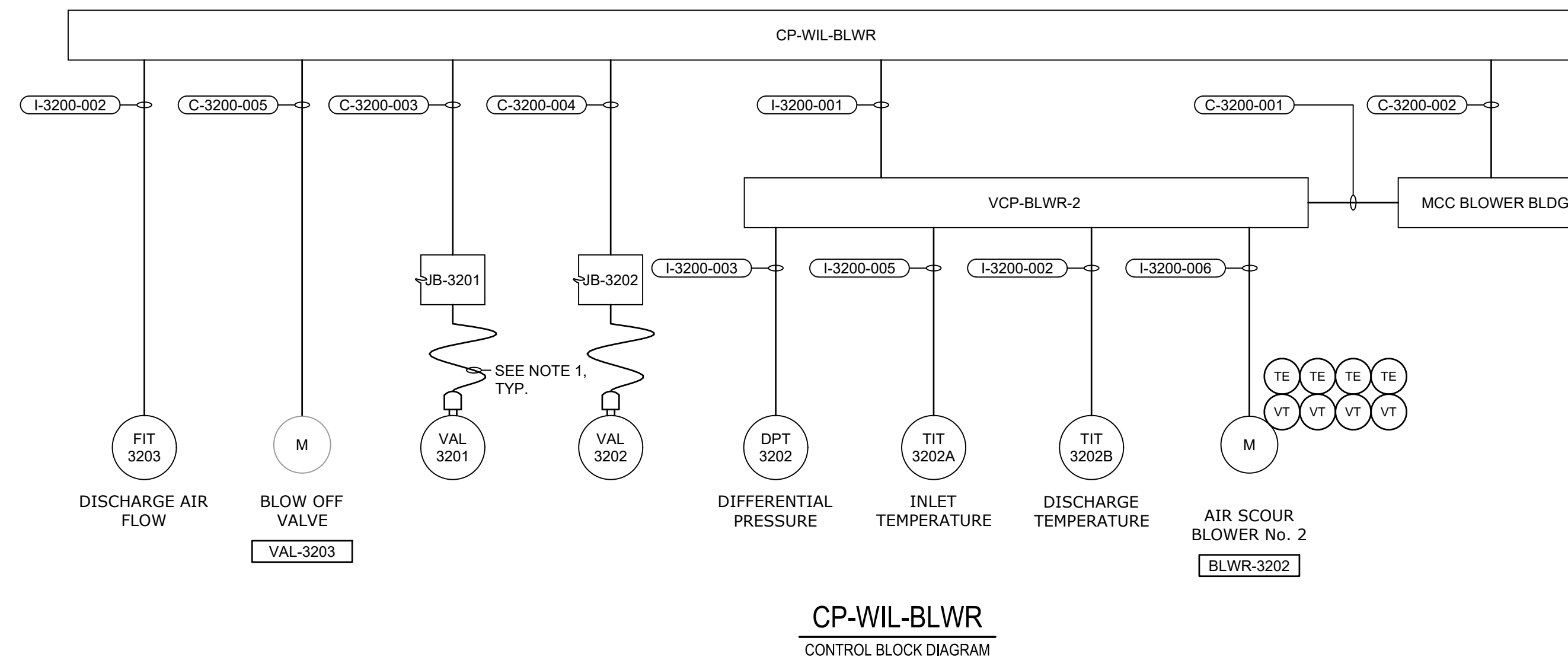
 JACK H. WILSON WTP RENEWAL AND
 RESILIENCY PROJECT

AIR SCOUR BLOWER BUILDING
 ELECTRICAL
 ELEMENTARY CONTROL SCHEMATICS

DATE:	NOVEMBER 2024
HAZEN NO.:	60711-003
CONTRACT NO.:	1
DRAWING NUMBER:	E3204

NOTES:

- POWER AND CONTROLS WIRING SHALL TERMINATE IN SAME JUNCTION BOX. PIGTAIL CORDS FOR BOTH POWER AND CONTROLS FROM JUNCTION BOX TO ACTUATOR SHALL BE RAN IN SAME CONDUIT. SEE SHEET E3203 FOR CONNECTION DETAILS AND CONDUIT NUMBER.



CONDUIT NO.	SIZE	FROM	TO	CONDUCTORS	REMARKS
P-3200-001	2"	MCC BLOWER BUILDING	BLWR-3202	3#4, #6GND	5KV RATED CABLE, EXISTING SPARE
P-3200-002	3/4"	PANEL-BLP	VCP-BLWR-2	2#12, #12GND	
P-3200-003	3/4"	PANEL-BLP	FIT-3203	2#12, #12GND	
P-3200-004	3/4"	PANEL-BLP	EUH-3201	3#12, #12GND	USE EXISTING CONDUIT TO HEATER
P-3200-005	3/4"	PANEL-BLP	CS-EF-3201	3#12, #12GND	
P-3200-006	3/4"	CS-EF-3201	EF-3201	3#12, #12GND	
P-3200-007	3/4"	PANEL-BLP	JB-3201	2#12, #12GND	
P-3200-008	3/4"	PANEL-BLP	JB-3202	2#12, #12GND	
P-3200-009	1-1/2"	JB-3201	VAL-3201	(2) PIGTAIL CORDSET	POWER AND CONTROLS
P-3200-010	1-1/2"	JB-3202	VAL-3202	(2) PIGTAIL CORDSET	POWER AND CONTROLS

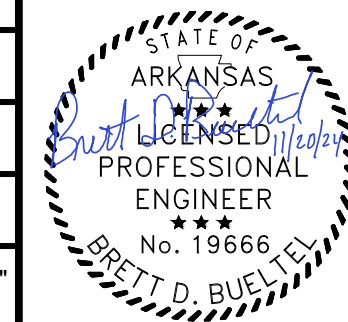
CONDUIT NO.	SIZE	FROM	TO	CONDUCTORS	REMARKS
C-3200-001	3/4"	VCP-BLWR-2	MCC BLOWER BLDG	12#14, #14 GND	
C-3200-002	3/4"	CP-WIL-BLWR	MCC BLOWER BLDG	16#14, #14 GND	
C-3200-003	3/4"	CP-WIL-BLWR	JB-3201	16#14, #14 GND	
C-3200-004	3/4"	CP-WIL-BLWR	JB-3202	16#14, #14 GND	
C-3200-005	3/4"	CP-WIL-BLWR	VAL-3203	6#14, #14 GND	
C-3200-006	1"	FPP-WIL-ASB	FPP-WIL-PCR	FO CABLE	VIA HH6, MH10
C-3200-007	1"	FPP-WIL-PCR	FPP-WIL-PS1B	FO CABLE	VIA MH10, MH11, MH13
C-3200-008	1"	FPP-WIL-PS1B	FPP-WIL-PS1A	FO CABLE	VIA MH13, MH11, MH10, PS1A
C-3200-009	3/4"	CS-EF-3201	T-3201	4#14, #14 GND	
C-3200-010	-	-	-	NOT USED	
C-3200-011	1"	FPP-WIL-ASB	MH6	EMPTY W/ PULLSTRING	
C-3200-012	1"	FPP-WIL-PS1A	FPP-WIL-FB	FO CABLE	

CONDUIT NO.	SIZE	FROM	TO	CONDUCTORS	REMARKS
I-3200-001	3/4"	CP-WIL-BLWR	VCP-BLWR-2	CAT-6 CABLE	
I-3200-002	3/4"	CP-WIL-BLWR	FIT-3203	2/C#16TSH, #14GND	
I-3200-003	3/4"	VCP-BLWR-2	DPT-3202	2/C#16TSH, #14GND	
I-3200-004	3/4"	VCP-BLWR-2	TIT-3202A	2/C#16TSH, #14GND	
I-3200-005	3/4"	VCP-BLWR-2	TIT-3202B	2/C#16TSH, #14GND	
I-3200-006	2"	VCP-BLWR-2	BLWR-3202	8(2/C#16TSH), #14GND	TE-3202A/B/C/D, VE-3202A/B/C/D

GMP SUBMITTAL. DO NOT USE FOR CONSTRUCTION.

File: C:\USERS\NINELSON\ACCD\CHAZEN AND SAWYER\60711-001_WILSON_WTP_REHAB_FILTER_BASINPROJECT FILES\00_ELECTRICAL\E3205 Saved by SCHAVEZ Save date: 11/18/2024 12:40 PM PLOT DATE: 11/19/2024 1:47 PM BY: NINELSON

PROJECT MANAGER:	T. HUDSON
DESIGNED BY:	S. CHAVEZ
DRAWN BY:	S. CHAVEZ
PROJECT ENGINEER:	B. BUELTEL
IF THIS BAR DOES NOT MEASURE 1" THEN DRAWING IS NOT TO FULL SCALE	0 1/2" 1"
REV	ISSUED FOR
	DATE
	BY

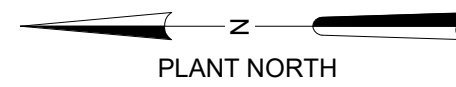


Hazen
HAZEN AND SAWYER
8150 N. CENTRAL EXPRESSWAY
TOWER II - SUITE 700
DALLAS, TEXAS 75206

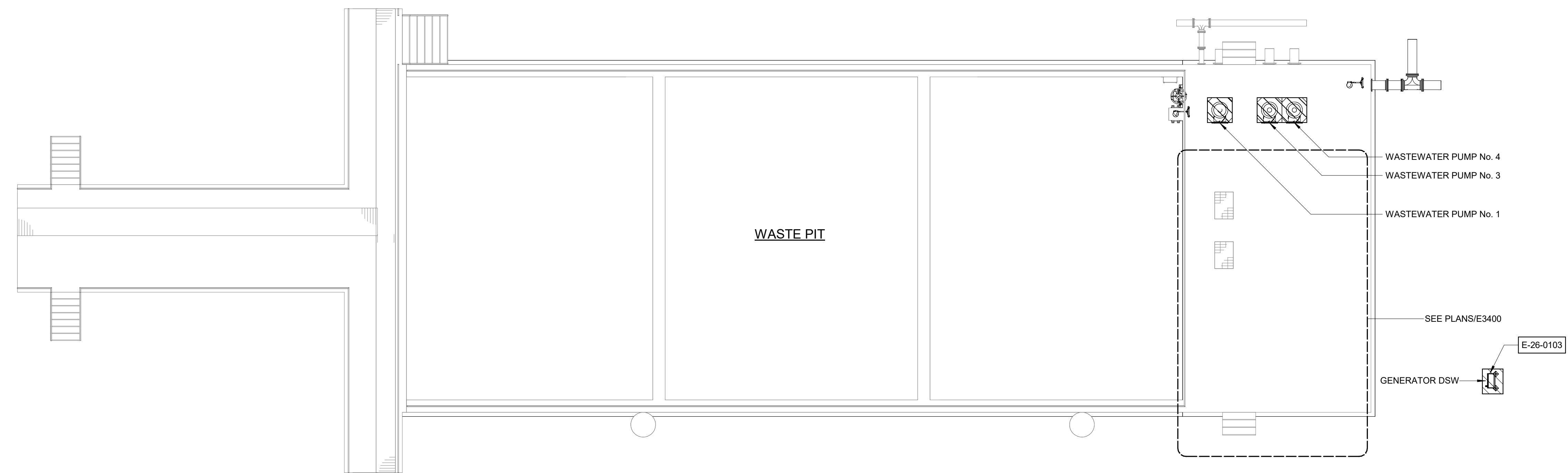
CENTRAL ARKANSAS WATER
LITTLE ROCK, ARKANSAS
JACK H. WILSON WTP RENEWAL AND
RESILIENCY PROJECT

AIR SCOUR BLOWER BUILDING
ELECTRICAL
CONDUIT AND WIRE SCHEDULE

DATE:	NOVEMBER 2024
HAZEN NO.:	60711-003
CONTRACT NO.:	1
DRAWING NUMBER:	E3205



- NOTES:**
1. REMOVE CONDUCTORS, CONDUITS, AND SUPPORTS ASSOCIATED WITH DEMOLISHED ELECTRICAL AND INSTRUMENTATION EQUIPMENT.
 2. REFERENCE OTHER DISCIPLINE DRAWINGS FOR ADDITIONAL DEMOLITION REQUIREMENTS.



TOP DEMO PLAN - WASTE PIT
1/8" = 1'-0"

GMP SUBMITTAL. DO NOT USE FOR CONSTRUCTION.

Autodesk DocuSign/60711-001_Wilson_WTP_Rehab_File_Base/60711-000-3300-WPPS-ELEC.rvt
11/19/2024 8:46:45 AM

REV	ISSUED FOR	DATE	BY

PROJECT MANAGER:	T. HUDSON
DESIGNED BY:	N. NELSON
DRAWN BY:	N. NELSON
PROJECT ENGINEER:	B. BUELTEL
IF THIS BAR DOES NOT MEASURE 1" THEN DRAWING IS NOT TO FULL SCALE	



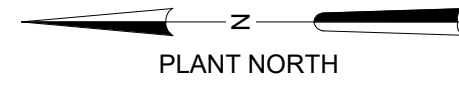
Hazen
HAZEN AND SAWYER
8150 N. CENTRAL EXPRESSWAY
TOWER II - SUITE 700
DALLAS, TEXAS 75206

CENTRAL ARKANSAS WATER
LITTLE ROCK, ARKANSAS

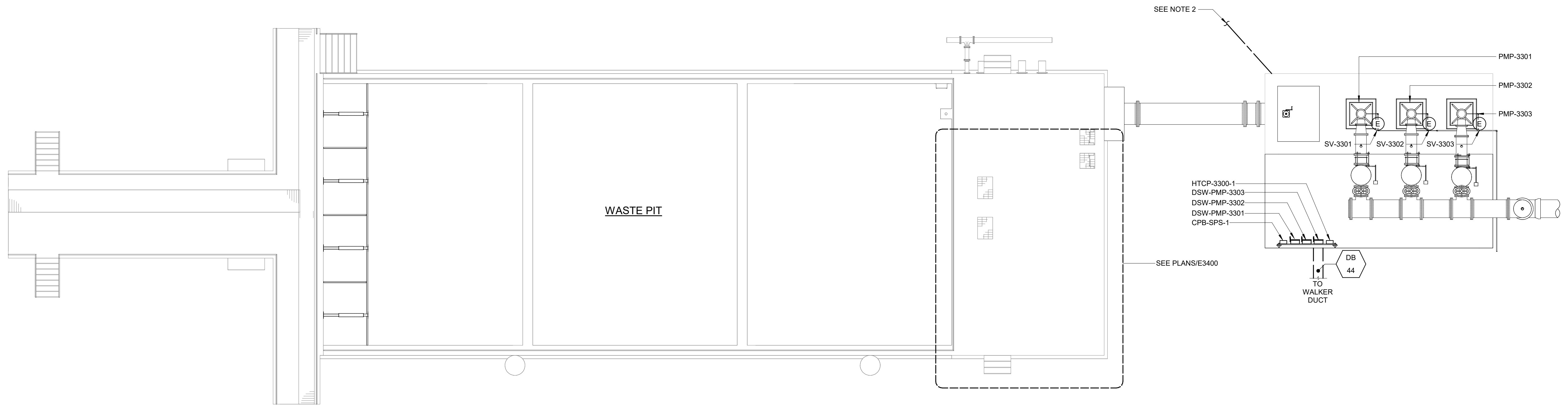
JACK H. WILSON WTP RENEWAL
AND RESILIENCY PROJECT

WASTE PIT
ELECTRICAL
TOP DEMOLITION PLAN - WASTE PIT

DATE:	NOVEMBER 2024
HAZEN NO.:	60711-003
CONTRACT NO.:	1
DRAWING NUMBER:	E3300



- NOTES:**
1. REUSE EXISTING DUCTBANKS AND CONDUIT FROM EXISTING ELECTRICAL BUILDING TO WASTE PIT FOR CONDUCTOR ROUTING TO NEW WASTE PIT PUMPS.
 2. EVALUATE EXISTING CONDITIONS OF GROUND GRID AROUND WASTE PIT. EXTEND EXISTING GROUND RING AROUND NEWLY CONSTRUCTED PORTION OF WASTE PIT.



TOP POWER PLAN -WASTE PIT
1/8" = 1'-0"

GMP SUBMITTAL. DO NOT USE FOR CONSTRUCTION.

Autodesk_Docs/60711-001_Wilson_WTP_Rehab_File_Base/60711-003-3300-WPSP-ELEC.rvt 11/18/2024 8:48:45 AM

REV	ISSUED FOR	DATE	BY

PROJECT MANAGER:	T. HUDSON
DESIGNED BY:	N. NELSON
DRAWN BY:	N. NELSON
PROJECT ENGINEER:	B. BUELTEL
IF THIS BAR DOES NOT MEASURE 1" THEN DRAWING IS NOT TO FULL SCALE	



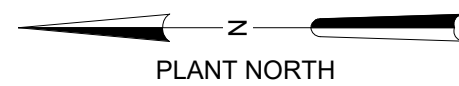
Hazen
HAZEN AND SAWYER
8150 N. CENTRAL EXPRESSWAY
TOWER II - SUITE 700
DALLAS, TEXAS 75206

CENTRAL ARKANSAS WATER
LITTLE ROCK, ARKANSAS

JACK H. WILSON WTP RENEWAL
AND RESILIENCY PROJECT

**WASTE PIT
ELECTRICAL
TOP POWER PLAN - WASTE PIT**

DATE:	NOVEMBER 2024
HAZEN NO.:	60711-003
CONTRACT NO.:	1
DRAWING NUMBER:	E3301

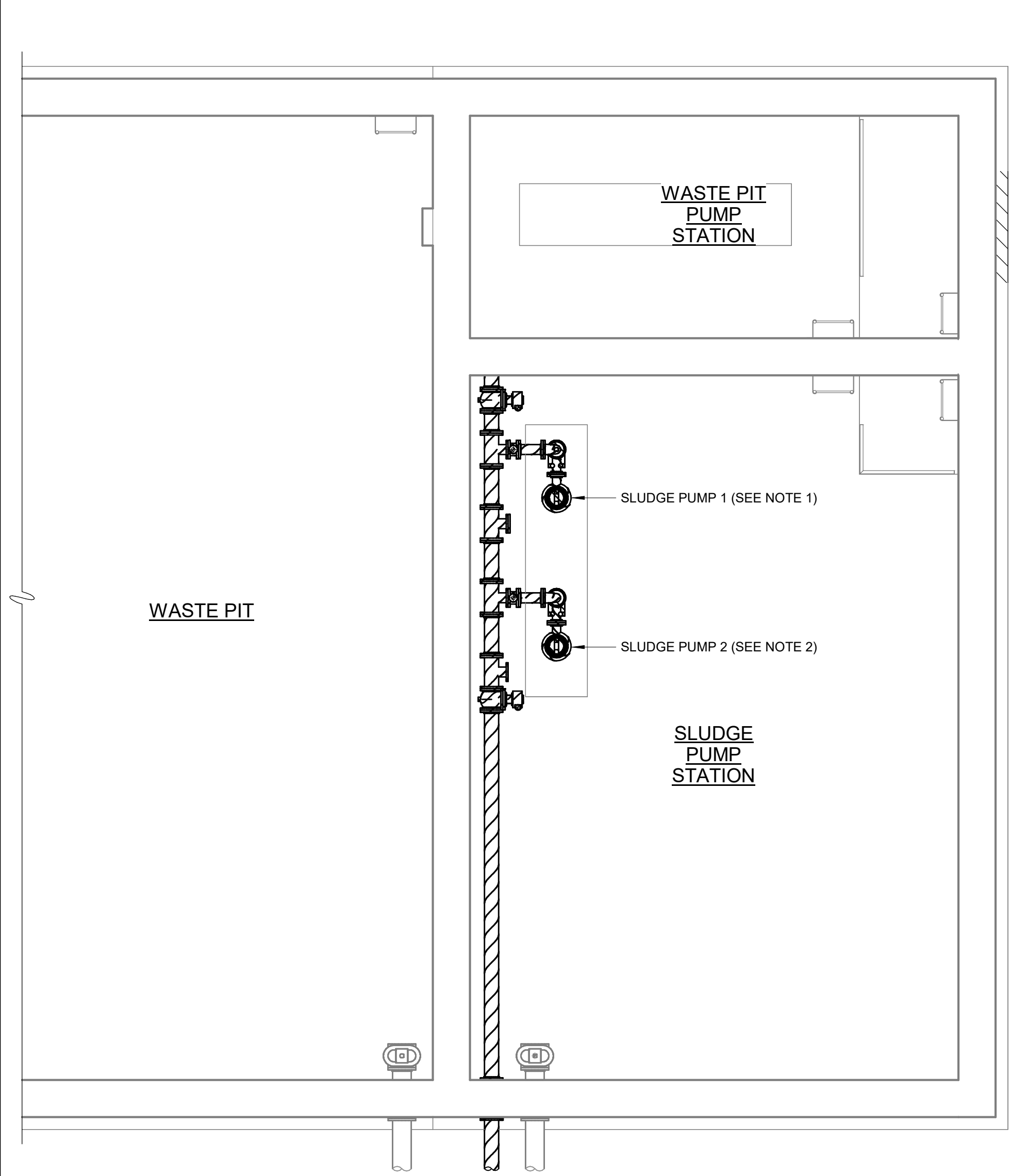


NOTES:

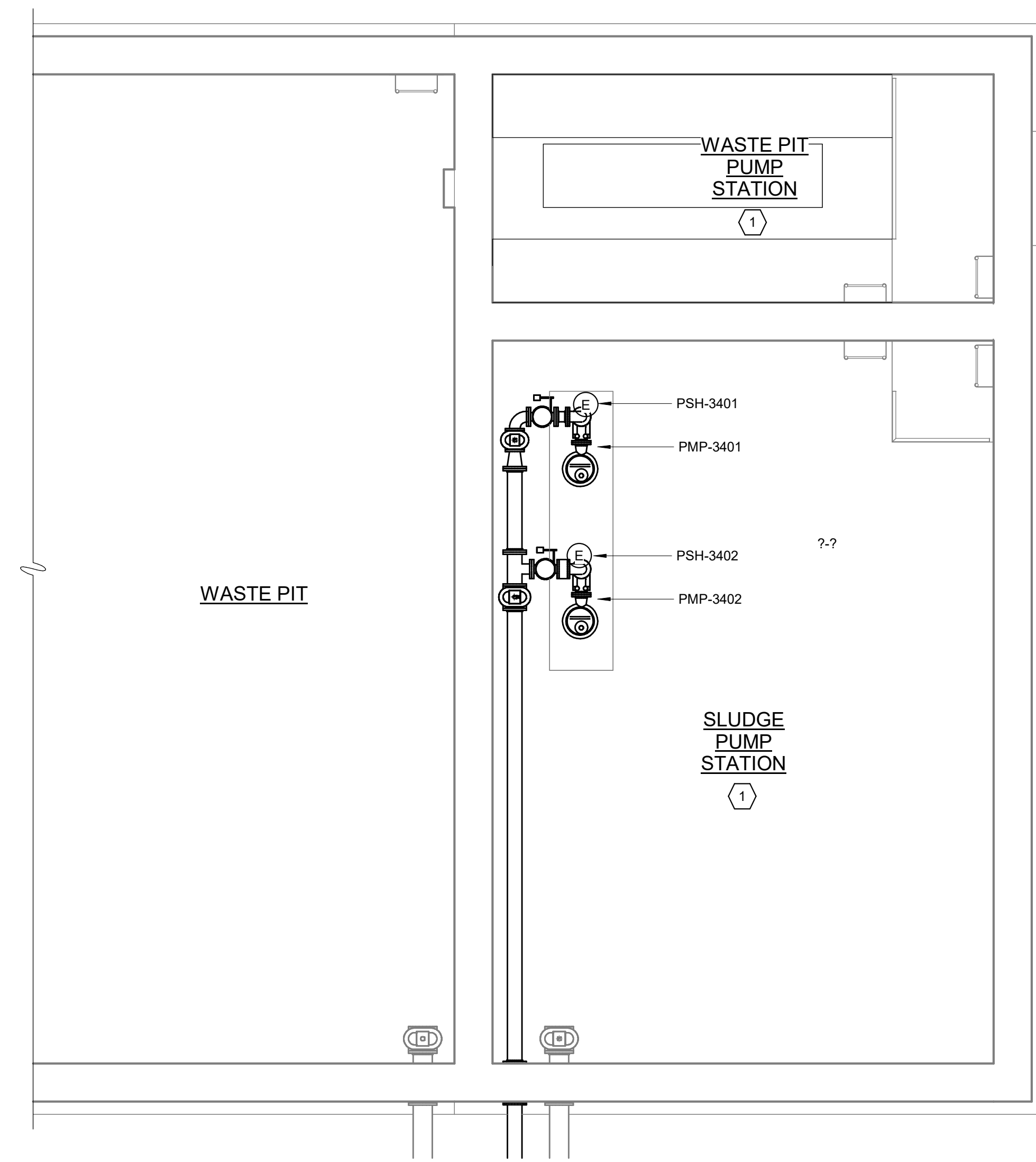
1. SLUDGE PUMP 1 IS TO BE REPLACED IN KIND. EXISTING CONDUIT AND WIRE SHALL BE REUSED TO NEW PUMP. DISCONNECT WIRE FROM PUMP AND DC2, AND RECONNECT TO NEW PUMP AND MCC-EB1-1.
2. SLUDGE PUMP 2 IS TO BE REPLACED IN KIND. EXISTING CONDUIT AND WIRE SHALL BE REUSED TO NEW PUMP. DISCONNECT WIRE FROM PUMP AND DC2, AND RECONNECT TO NEW PUMP AND MCC-EB1-2.

LEGEND:

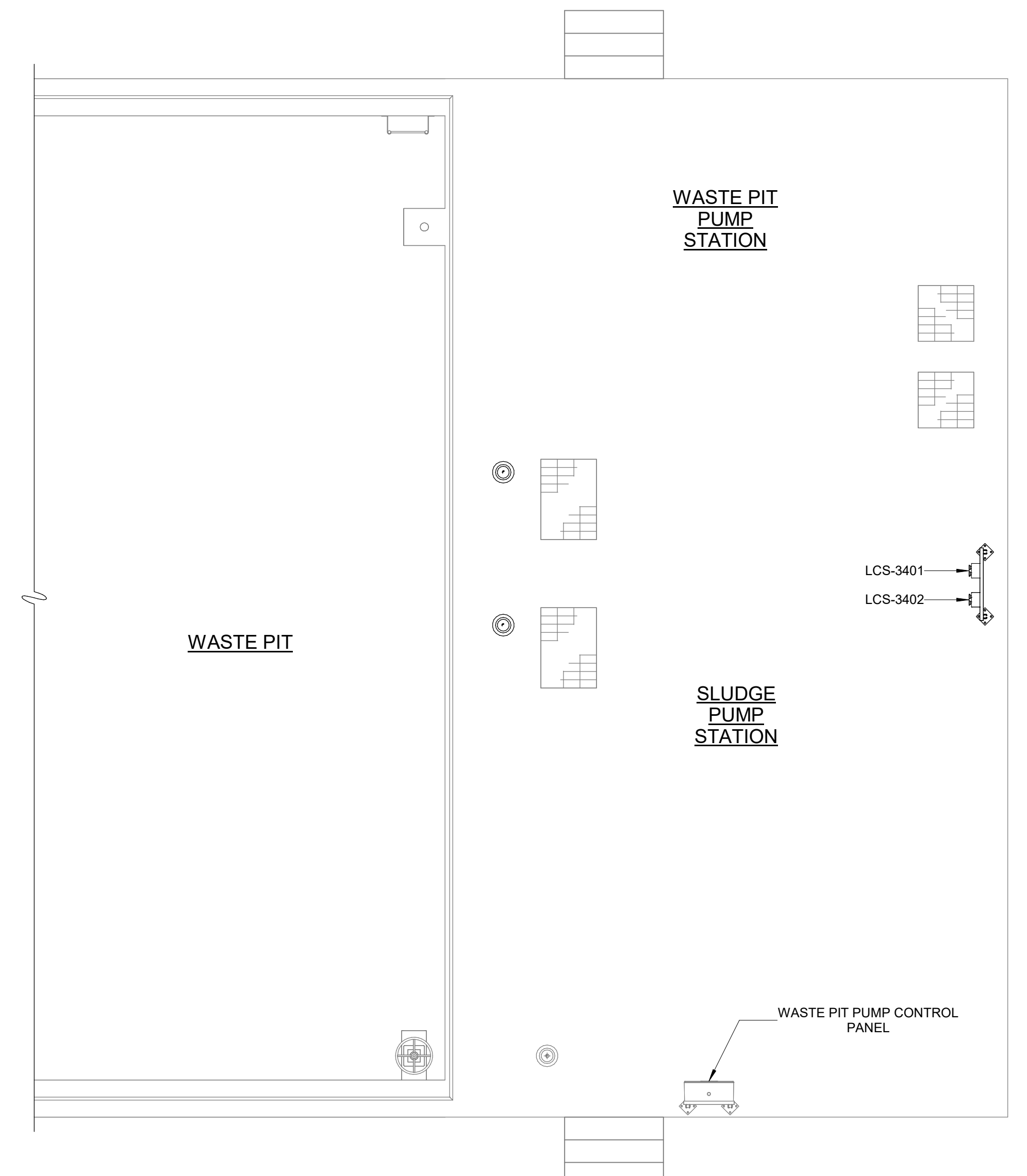
- ① INDOOR WET PROCESS AREA
- ② INDOOR DRY PROCESS AREA
- ③ INDOOR DRY NON-PROCESS AREA



BOTTOM PLAN - DEMOLITION
1/4" = 1'-0"



BOTTOM PLAN - PROPOSED
1/4" = 1'-0"



TOP PLAN - PROPOSED
1/4" = 1'-0"

GMP SUBMITTAL. DO NOT USE FOR CONSTRUCTION.

Autodesk Docs/60711-001_Wilson_WTP_Rehab_Elec_Basem/60711-003-3400-SPS-ELEC.rvt 11/20/2024 8:57:44 AM

REV	ISSUED FOR	DATE	BY

PROJECT MANAGER:	T. HUDSON
DESIGNED BY:	N. NELSON
DRAWN BY:	N. NELSON
PROJECT ENGINEER:	B. BUELTEL
IF THIS BAR DOES NOT MEASURE 1" THEN DRAWING IS NOT TO FULL SCALE	



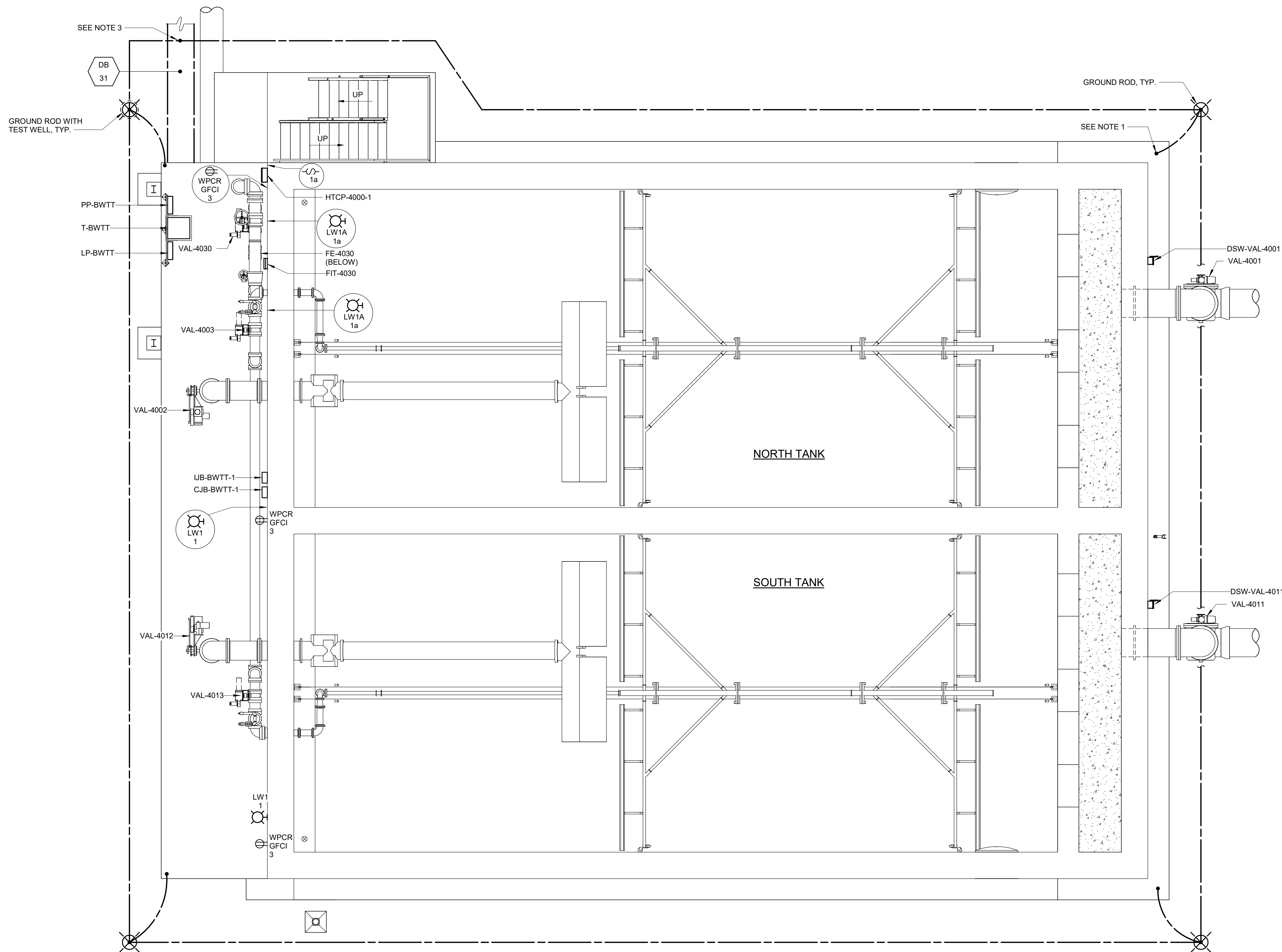
Hazen
HAZEN AND SAWYER
8150 N. CENTRAL EXPRESSWAY
TOWER II - SUITE 700
DALLAS, TEXAS 75206

CENTRAL ARKANSAS WATER
LITTLE ROCK, ARKANSAS

JACK H. WILSON WTP RENEWAL
AND RESILIENCY PROJECT

SLUDGE PUMP STATION
ELECTRICAL
PLANS

DATE:	NOVEMBER 2024
HAZEN NO.:	60711-003
CONTRACT NO.:	1
DRAWING NUMBER:	E3400



- NOTES:**
- REFER TO N.E.C. ARTICLE 250.52(A)(3) FOR BONDING OF GROUND RING TO STRUCTURAL FOUNDATION REBAR.
 - GROUND RING CONDUCTOR SHALL BE #4/0 BARE COPPER WIRE 30" MINIMUM BELOW FINISHED GRADE. ALL GROUND CONDUCTORS TO EQUIPMENT OR STRUCTURAL STEEL SHALL BE BARE COPPER WIRE.
 - EACH DUCT BANK GROUND CONDUCTOR CROSSING THE GROUND RING SHALL BE EXOTHERMICALLY WELDED TO THE GROUND RING CONDUCTOR.
 - FURNISH AND INSTALL 1" CONDUITS THROUGH CONCRETE PAD FOR LIGHTNING PROTECTION DOWN CONDUCTORS TO GROUND RING. ALL DOWN CONDUCTORS SHALL BE ROUTED DOWN INSIDE OF BUILDING.
 - COORDINATE GROUND SYSTEM INSTALLATION WITH INSTALLATION OF THE LIGHTNING PROTECTION SYSTEM.
 - ALL 'LW1' LIGHT FIXTURE SHALL BE WALL MOUNTED 10' AFF.
 - ALL 'LW1A' LIGHT FIXTURE SHALL BE WALL MOUNTED 10' AFF.

BOTTOM PLAN
3/16" = 1'-0"

GMP SUBMITTAL. DO NOT USE FOR CONSTRUCTION.

Autodesk_Docs\60711-001_Wilson_WTP_Renewal_Electrical\Bldg\60711-001-4000-BWTT-ELECT.rvt 11/20/2024 8:41:15 AM

REV	ISSUED FOR	DATE	BY

PROJECT MANAGER:	T. HUDSON
DESIGNED BY:	S. CHAVEZ
DRAWN BY:	S. CHAVEZ
PROJECT ENGINEER:	B. BUELTEL
IF THIS BAR DOES NOT MEASURE 1" THEN DRAWING IS NOT TO FULL SCALE	



Hazen
HAZEN AND SAWYER
8150 N. CENTRAL EXPRESSWAY
TOWER II - SUITE 700
DALLAS, TEXAS 75206

CENTRAL ARKANSAS WATER
LITTLE ROCK, ARKANSAS

JACK H. WILSON WTP RENEWAL
AND RESILIENCY PROJECT

BACKWASH TREATMENT TANK
ELECTRICAL
BOTTOM PLAN

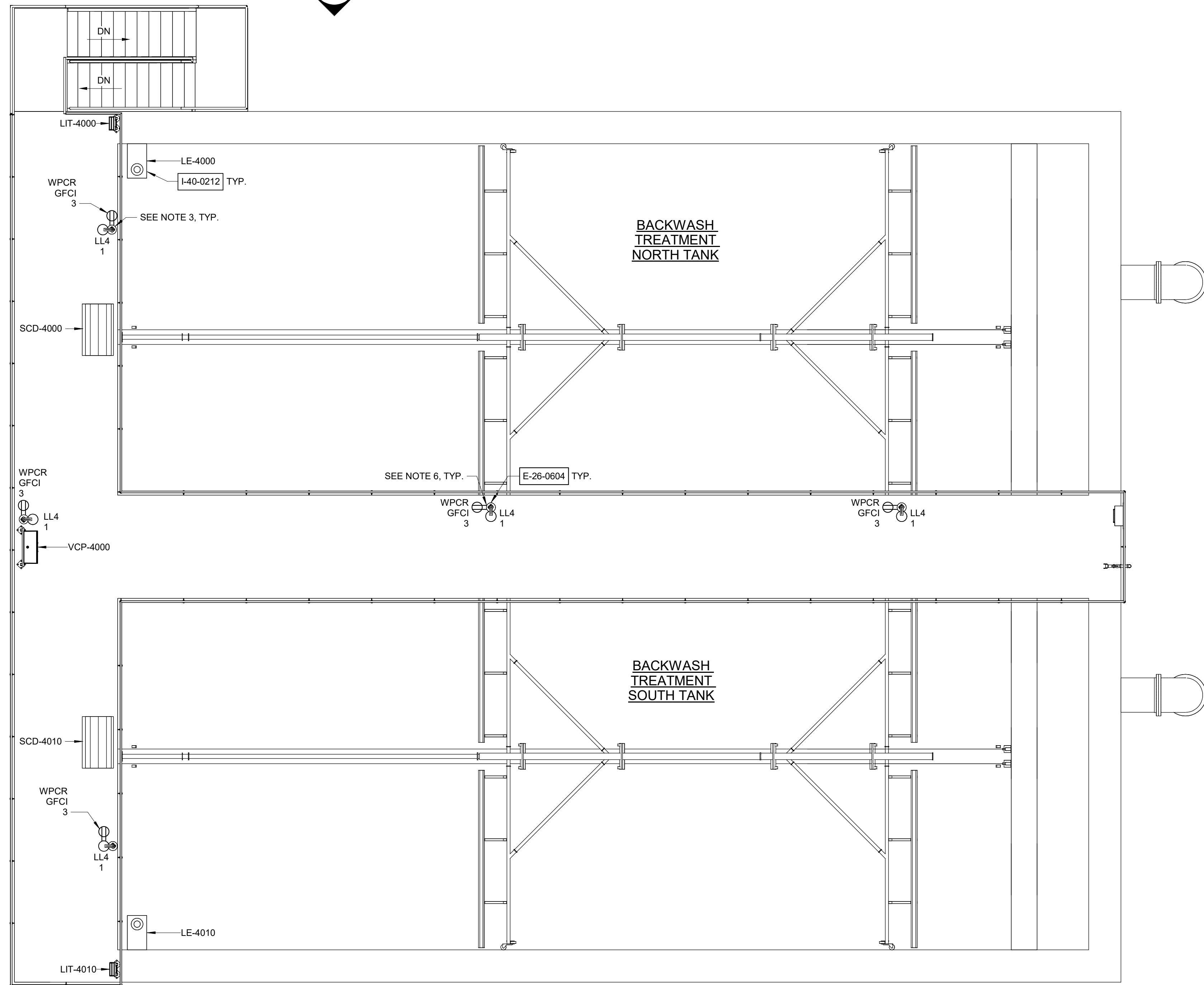
E4000

DATE:	NOVEMBER 2024
HAZEN NO.:	60711-003
CONTRACT NO.:	1
DRAWING NUMBER:	E4000



A
E4001

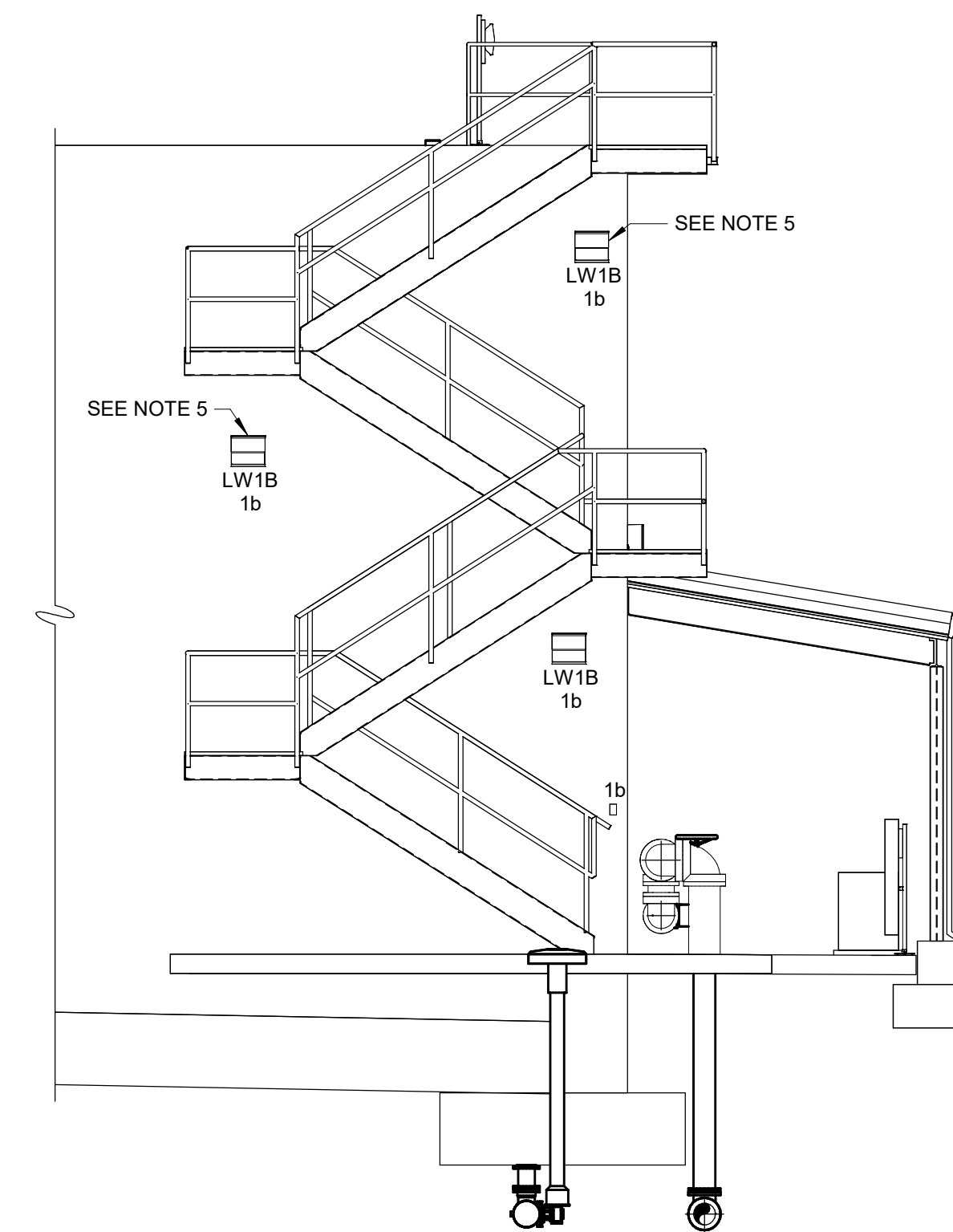
A
E4001



TOP PLAN
3/16" = 1'-0"

NOTES:

1. PLAN DRAWINGS INDICATE APPROXIMATE EQUIPMENT LOCATIONS. COORDINATE EXACT LOCATION WITH FIELD REQUIREMENTS AND OTHER DISCIPLINES.
2. ALL 'LL4' LIGHT FIXTURES SHALL BE POLE MOUNTED. POLE SHALL BE TYPE A.
3. COORDINATE HOUSE-SIDE SHIELD WITH ENGINEER FOR EACH APPLICATION.
4. UNLESS NOTED OTHERWISE, ALL 'LW1B' LIGHT FIXTURES SHALL BE WALL MOUNTED 10' AFF.
5. FIXTURE SHALL BE WALL MOUNTED 8' ABOVE PLATFORM.
6. RECEPTACLE SHALL BE MOUNTED ONTO POLE, 1' 8" AFF.



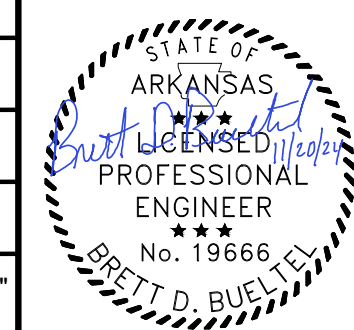
SECTION A
3/16" = 1'-0"

GMP SUBMITTAL. DO NOT USE FOR CONSTRUCTION.

Autodesk DocSet/60711-001_Wilson_WTP_Renewal_Elec_Basem/60711-001-4000-BNWT-ELEC-R1
11/20/2024 8:41:15 AM

REV	ISSUED FOR	DATE	BY

PROJECT MANAGER:	T. HUDSON
DESIGNED BY:	S. CHAVEZ
DRAWN BY:	S. CHAVEZ
PROJECT ENGINEER:	B. BUELTEL
IF THIS BAR DOES NOT MEASURE 1" THEN DRAWING IS NOT TO FULL SCALE	0 1/2" 1"



Hazen
HAZEN AND SAWYER
8150 N. CENTRAL EXPRESSWAY
TOWER II - SUITE 700
DALLAS, TEXAS 75206

CENTRAL ARKANSAS WATER
LITTLE ROCK, ARKANSAS

JACK H. WILSON WTP RENEWAL
AND RESILIENCY PROJECT

BACKWASH TREATMENT TANK
ELECTRICAL
TOP PLAN

DATE:	NOVEMBER 2024
HAZEN NO.:	60711-003
CONTRACT NO.:	1
DRAWING NUMBER:	E4001

480 VOLTS 3 PHASE, 3 WIRE				PP-BWTT MAIN BREAKER W/ETU (LSIG) 225AF/225AP/150AT, 3P										TYPE: NEMA 4X MOUNT: SURFACE			
MODS	DESCRIPTION	WIRE	TRIP	POLE	CKT No.	VOLT-AMPERES			VOLT-AMPERES			CKT No.	POLE	TRIP	WIRE	DESCRIPTION	MODS
						A	B	C	A	B	C						
LFD	VCP-4000	P-4000-004	20	3	1	2,500					2	3	20	-	SPARE	LFD	
LFD	SPARE	-	20	3	3		2,500				4	3	20	-	SPARE	LFD	
LFD	SPARE	-	20	3	5			2,500			6	3	20	-	SPARE	LFD	
LFD	SPARE	-	20	3	7						8	3	20	-	SPARE	LFD	
LFD	SPARE	-	20	3	9						10	3	20	-	SPARE	LFD	
LFD	SPARE	-	20	3	11						12	3	20	-	SPARE	LFD	
LFD	SPARE	-	20	3	13						14	3	15	-	SPARE	LFD	
LFD	SPARE	-	20	3	15						16	3	15	-	SPARE	LFD	
LFD	SPARE	-	20	3	17						18	3	15	-	SPARE	LFD	
-	SPACE	-	-	3	19						20	3	-	-	SPACE	-	
-	SPACE	-	-	3	21						22	3	-	-	SPACE	-	
-	SPACE	-	-	3	23						24	3	-	-	SPACE	-	
-	SPACE	-	-	3	25						26	3	-	-	SPACE	-	
-	SPACE	-	-	3	27						28	3	-	-	SPACE	-	
-	SPACE	-	-	3	29						30	3	-	-	SPACE	-	
-	SPACE	-	-	3	31						32	3	-	-	SPACE	-	
-	SPACE	-	-	3	33						34	3	-	-	SPACE	-	
-	SPACE	-	-	3	35						36	3	-	-	SPACE	-	
-	SPACE	-	-	3	37					7,300	38	3	-	-	SPACE	-	
-	SPACE	-	-	3	39						40	3	50	P-4000-002	T-BWTT	LFD	
-	SPACE	-	-	3	41						42	3	50	P-4000-002	T-BWTT	LFD	
TOTAL						2,500	2,500	2,500			7,300	2,100	1,700	TOTAL			
PHASE TOTAL						9,800	4,600	4,200	TOTAL LOAD (VA)			18,600					
TOTAL LOAD (A)									22								

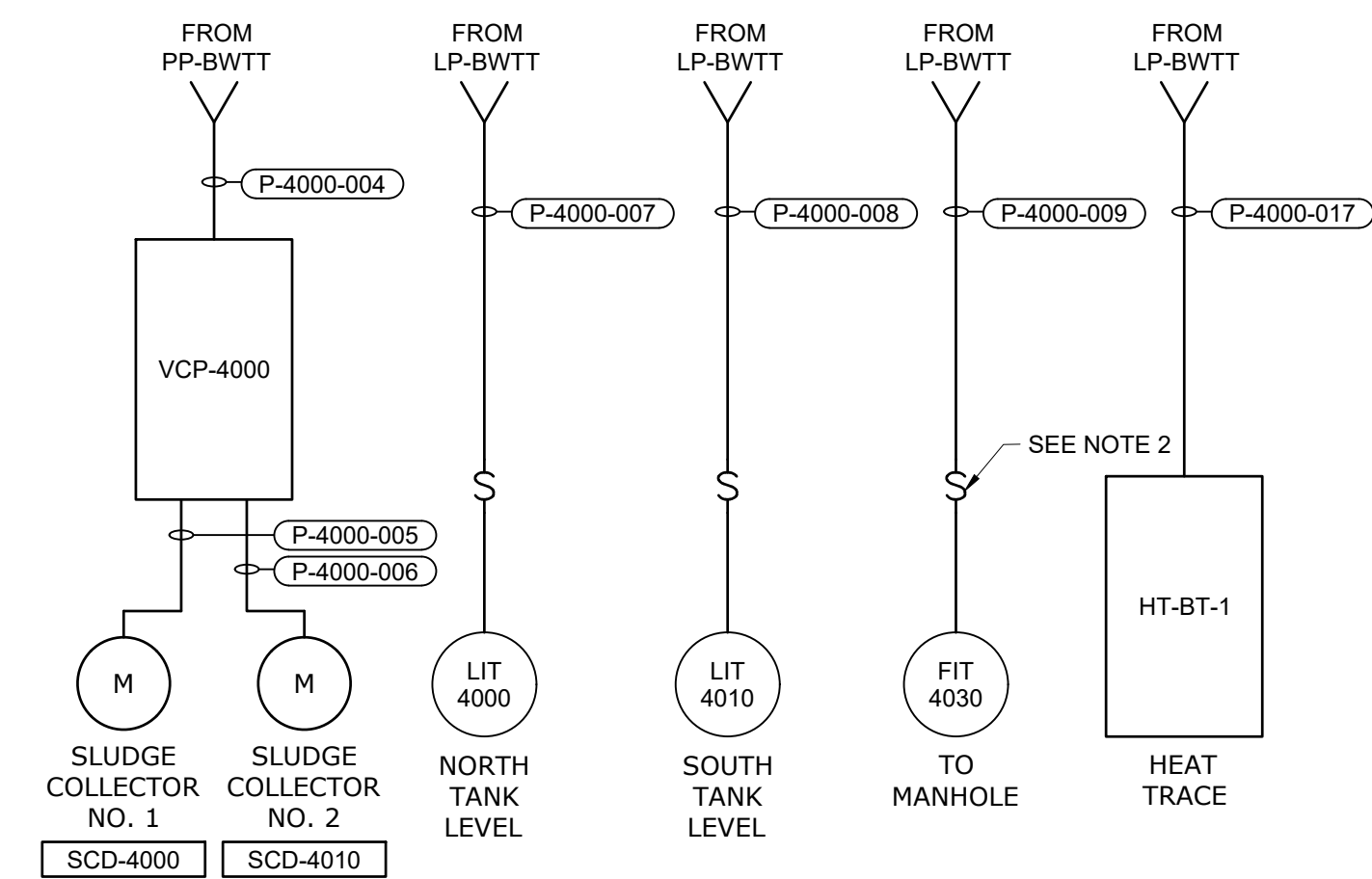
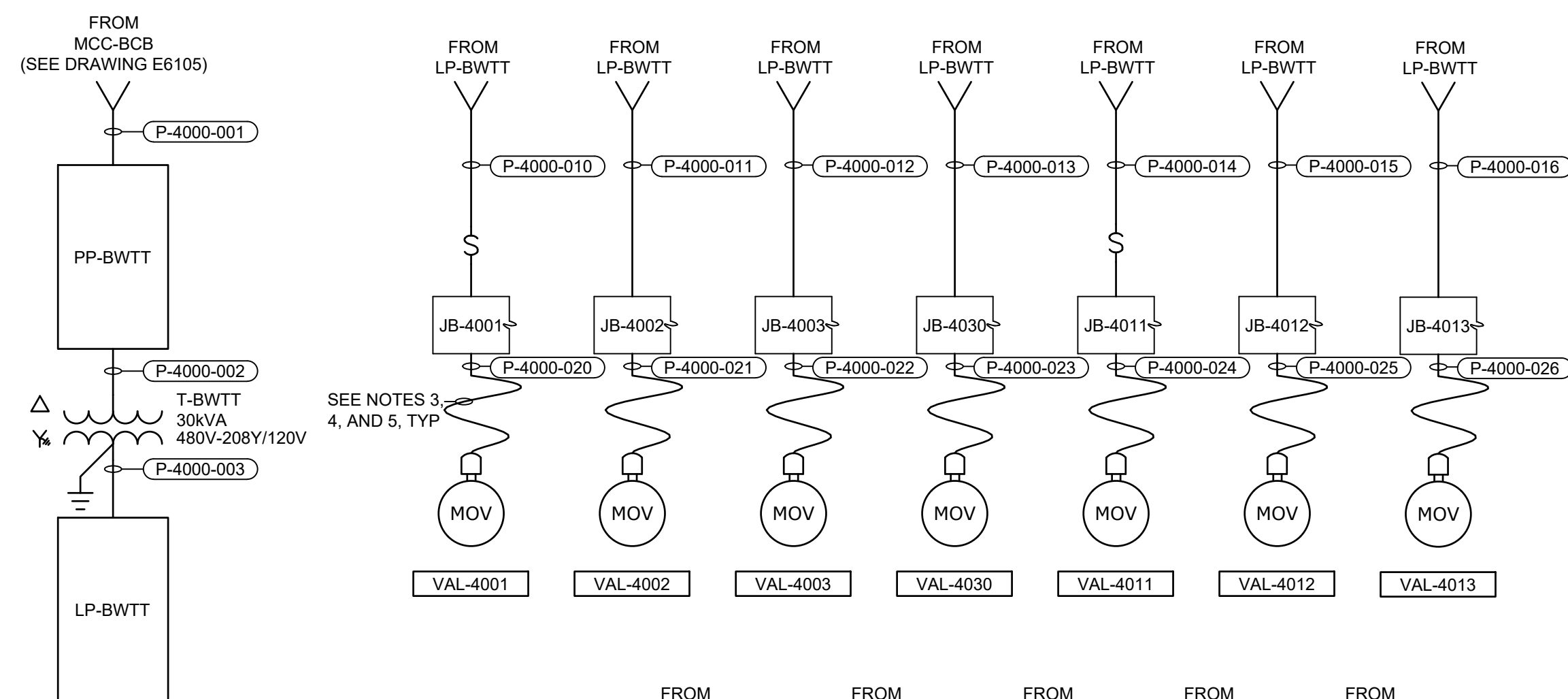
MODIFICATION (MODS) LEGEND:
 EPD - GROUND FAULT CIRCUIT INTERRUPTER (30mA)
 GFCI - GROUND FAULT CIRCUIT INTERRUPTER (5mA)
 LOD - LOCK-ON DEVICE
 LFD - LOCK-OFF DEVICE
 ETU - ELECTRONIC TRIP UNIT

NOTES:
 22kAIC
 100kA SPD

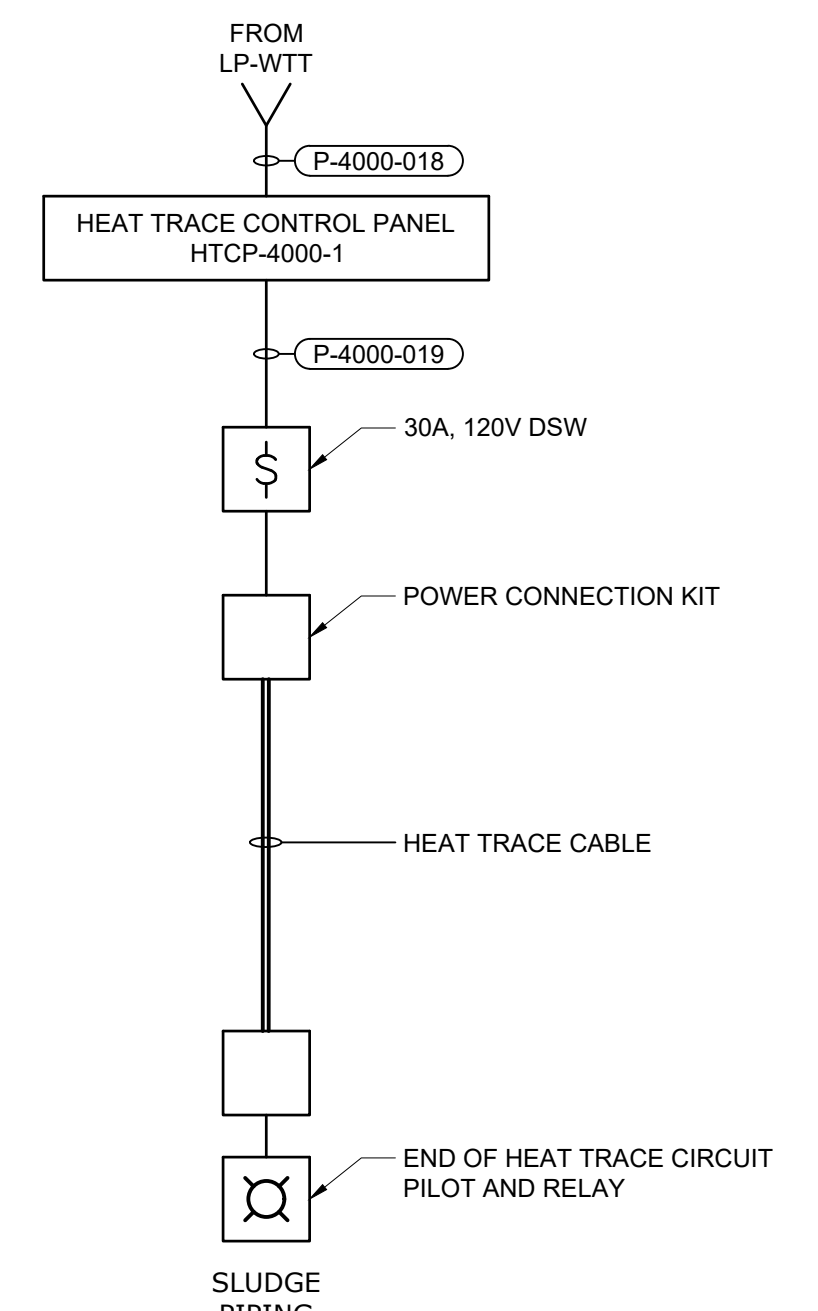
208/120 VOLTS 3 PHASE, 4 WIRE				LP-BWTT MAIN BREAKER 100A 3P										TYPE: NEMA 4X MOUNT: SURFACE			
MODS	DESCRIPTION	WIRE	TRIP	POLE	CKT No.	VOLT-AMPERES			VOLT-AMPERES			CKT No.	POLE	TRIP	WIRE	DESCRIPTION	MODS
						A	B	C	A	B	C						
LFD	BACK WASH TREATMNT TANK LTG	SEE NOTE 1	20	1	1	600					2	1	20	P-4000-007	LIT-4000	LFD	
LFD	BACK WASH TREATMNT TANK RECP	SEE NOTE 1	20	1	3		900				4	1	20	P-4000-008	LIT-4010	LFD	
LFD	VAL-4001	P-4000-010	10	1	5			500			6	1	10	P-4000-014	VAL-4011	LFD	
LFD	VAL-4002	P-4000-011	10	1	7	500					8	1	10	P-4000-015	VAL-4012	LFD	
LFD	VAL-4003	P-4000-012	10	1	9		500				10	1	10	P-4000-016	VAL-4013	LFD	
LFD	FIT-4030	P-4000-009	20	1	11				200			12	1	10	P-4000-013	VAL-4030	LFD
LFD	HT-RM-1	P-4000-017	20	1	13	500				5,000		14	1	30	P-4000-018	HTCP-4000-1	EPD
LFD	SPARE	-	20	1	15						16	1	15	-	SPARE	LFD	
LFD	SPARE	-	15	1	17						18	1	15	-	SPARE	LFD	
LFD	SPARE	-	15	1	19						20	1	-	-	SPACE	LFD	
-	SPACE	-	-	1	21						22	1	-	-	SPACE	LFD	
-	SPACE	-	-	1	23						24	1	-	-	SPACE	LFD	
-	SPACE	-	-	1	25						26	1	-	-	SPACE	LFD	
-	SPACE	-	-	1	27						28	1	-	-	SPACE	LFD	
-	SPACE	-	-	1	29						30	1	-	-	SPACE	LFD	
-	SPACE	-	-	1	31						32	1	-	-	SPACE	LFD	
-	SPACE	-	-	1	33						34	1	-	-	SPACE	LFD	
-	SPACE	-	-	1	35						36	1	-	-	SPACE	LFD	
-	SPACE	-	-	1	37						38	1	-	-	SPACE	LFD	
-	SPACE	-	-	1	39						40	1	-	-	SPACE	LFD	
-	SPACE	-	-	1	41						42	1	-	-	SPACE	LFD	
TOTAL						1,600	1,400	700			5,700	700	1,000	TOTAL			
PHASE TOTAL						7,300	2,100	1,700	TOTAL LOAD (VA)			11,100					
TOTAL LOAD (A)									31								

MODIFICATION (MODS) LEGEND:
 EPD - GROUND FAULT CIRCUIT INTERRUPTER (30mA)
 GFCI - GROUND FAULT CIRCUIT INTERRUPTER (5mA)
 LOD - LOCK-ON DEVICE
 LFD - LOCK-OFF DEVICE

NOTES:
 10kAIC
 100kA SPD



- NOTES:
- UNLESS SPECIFIED OTHERWISE, ALL LIGHTING AND RECEPTACLE CIRCUITS SHALL BE #12, #12GND IN 3/4" CONDUIT.
 - NSSC SERIES MANUAL MOTOR STARTING SWITCH WITHOUT OVERLOAD PROTECTION.
 - PROVIDE FLEXIBLE POWER PIGTAIL CORD AND PLUG AS SPECIFIED IN SECTION 26 05 19. TERMINATE CONDUCTORS IN JUNCTION BOX WITH TERMINAL STRIPS. INSTALL MINI CHANGE, A-SIZE 3 POLE, FEMALE RECEPTACLE INTO CONDUIT HUB ON MOTOR ACTUATOR FOR POWER CONNECTION.
 - PROVIDE FLEXIBLE CONTROLS PIGTAIL CORD AND PLUG AS SPECIFIED IN SECTION 26 05 19. TERMINATE CONDUCTORS IN JUNCTION BOX WITH TERMINAL STRIPS. INSTALL MINI CHANGE, C-SIZE 10 POLE, MALE RECEPTACLE INTO CONDUIT HUB ON MOTOR ACTUATOR FOR CONTROLS CONNECTION.
 - POWER AND CONTROLS WIRING SHALL TERMINATE IN SAME JUNCTION BOX. PIGTAIL CORDS FOR BOTH POWER AND CONTROLS FROM JUNCTION BOX TO ACTUATOR SHALL BE RAN IN SAME CONDUIT. SEE SHEET E4003 FOR CONTROLS CONNECTION FROM CPB-BWTT-1 TO JUNCTION BOX.

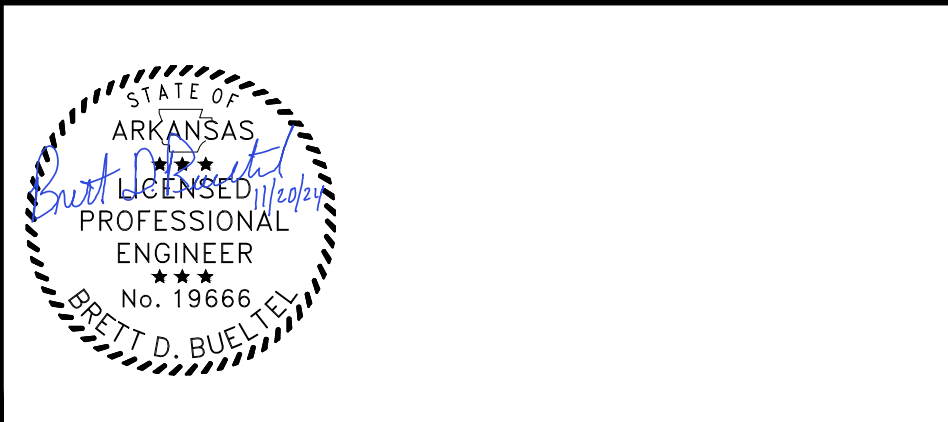


BACKWASH TREATMENT TANKS
 RISER DIAGRAMS

File: C:\USERS\NINELSON\Documents\HAZEN AND SAWYER\60711-001_WILSON_WTP_REHAB_FILTER_BASINPROJECT FILES\00_ELECTRICAL\E4002 Saved by NINELSON Save date: 11/15/2024 1:41 PM
 PLOT DATE: 11/19/2024 1:47 PM BY: NINELSON

GMP SUBMITTAL. DO NOT USE FOR CONSTRUCTION.

PROJECT MANAGER:	T. HUDSON		
DESIGNED BY:	S. CHAVEZ		
DRAWN BY:	S. CHAVEZ		
PROJECT ENGINEER:	B. BUELTEL		
IF THIS BAR DOES NOT MEASURE 1" THEN DRAWING IS NOT TO FULL SCALE	0 1/2" 1"		
REV	ISSUED FOR	DATE	BY

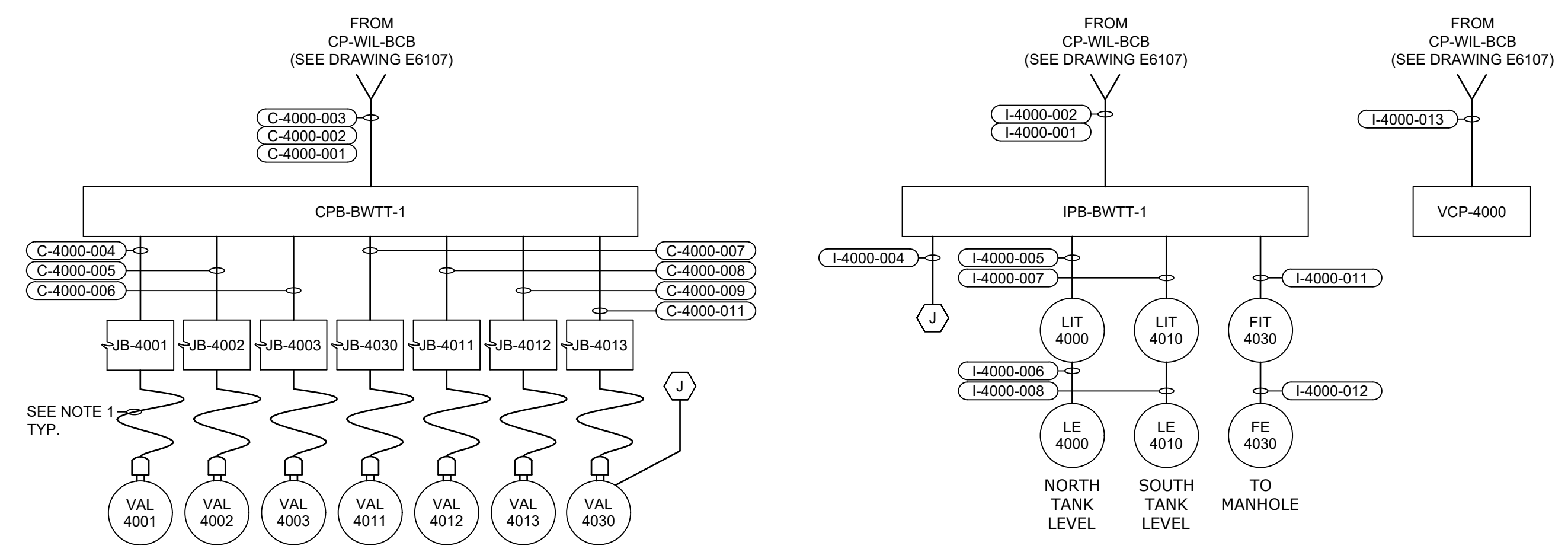


CENTRAL ARKANSAS WATER
 LITTLE ROCK, ARKANSAS
 JACK H. WILSON WTP RENEWAL AND RESILIENCY PROJECT

BACKWASH TREATMENT TANK
 ELECTRICAL
 PANEL SCHEDULES AND RISER DIAGRAM

DATE:	NOVEMBER 2024
HAZEN NO.:	60711-003
CONTRACT NO.:	1
DRAWING NUMBER:	E4002

NOTES:
 1. POWER AND CONTROLS WIRING SHALL TERMINATE IN SAME JUNCTION BOX. PIGTAIL CORDS FOR BOTH POWER AND CONTROLS FROM JUNCTION BOX TO ACTUATOR SHALL BE RAN IN SAME CONDUIT. SEE SHEET E4002 FOR CONNECTION DETAILS AND CONDUIT NUMBER.



BACKWASH TREATMENT TANKS
 CONTROL BLOCK DIAGRAMS

CONDUIT NO.	SIZE	FROM	TO	CONDUCTORS	REMARKS
P-4000-001	2"	MCC-BCB	PP-BWTT	3#4/0, #8GND	
P-4000-002	1"	PP-BWTT	T-BWTT	3#4, #8GND	
P-4000-003	1-1/2"	T-BWTT	LP-BWTT	4#2, #8GND	
P-4000-004	1"	PP-BWTT	VCP-4000	3#10, #12GND	
P-4000-005	3/4"	VCP-4000	SCD-4000	MAN. SUPPLIED CABLE	
P-4000-006	3/4"	VCP-4000	SCD-4010	MAN. SUPPLIED CABLE	
P-4000-007	3/4"	LP-BWTT	LIT-4000	2#12, #12GND	VIA DSW
P-4000-008	3/4"	LP-BWTT	LIT-4010	2#12, #12GND	VIA DSW
P-4000-009	3/4"	LP-BWTT	FIT-4030	2#12, #12GND	VIA DSW
P-4000-010	3/4"	LP-BWTT	JB-4001	2#12, #12GND	
P-4000-011	3/4"	LP-BWTT	JB-4002	2#12, #12GND	
P-4000-012	3/4"	LP-BWTT	JB-4003	2#12, #12GND	
P-4000-013	3/4"	LP-BWTT	JB-4030	2#12, #12GND	
P-4000-014	3/4"	LP-BWTT	JB-4011	2#12, #12GND	
P-4000-015	3/4"	LP-BWTT	JB-4012	2#12, #12GND	
P-4000-016	3/4"	LP-BWTT	JB-4013	2#12, #12GND	
P-4000-017	3/4"	LP-BWTT	HT-RM-1	2#12, #12GND	
P-4000-018	1"	LP-BWTT	HTCP-4000-1	2#10, #10GND	
P-4000-019	1"	HTCP-4000-1	SLUDGE PIPING - CIRCUIT 1	2#10, #10GND	
P-4000-020	1-1/2"	JB-4001	VAL-4001	(2) PIGTAIL CORDSET	POWER AND CONTROLS
P-4000-021	1-1/2"	JB-4002	VAL-4002	(2) PIGTAIL CORDSET	POWER AND CONTROLS
P-4000-022	1-1/2"	JB-4003	VAL-4003	(2) PIGTAIL CORDSET	POWER AND CONTROLS
P-4000-023	1-1/2"	JB-4030	VAL-4030	(2) PIGTAIL CORDSET	POWER AND CONTROLS
P-4000-024	1-1/2"	JB-4011	VAL-4011	(2) PIGTAIL CORDSET	POWER AND CONTROLS
P-4000-025	1-1/2"	JB-4012	VAL-4012	(2) PIGTAIL CORDSET	POWER AND CONTROLS
P-4000-026	1-1/2"	JB-4013	VAL-4013	(2) PIGTAIL CORDSET	POWER AND CONTROLS

CONDUIT NO.	SIZE	FROM	TO	CONDUCTORS	REMARKS
C-4000-001	2"	CP-WIL-BCB	CPB-BWTT-1	96#14, #14GND	
C-4000-002	1"	CP-WIL-BCB	CPB-BWTT-1	EMPTY W/ PULLSTRING	
C-4000-003	1"	CP-WIL-BCB	CPB-BWTT-1	EMPTY W/ PULLSTRING	
C-4000-004	3/4"	CPB-BWTT-1	VAL-4001	12#14, #14GND	
C-4000-005	3/4"	CPB-BWTT-1	VAL-4002	12#14, #14GND	
C-4000-006	3/4"	CPB-BWTT-1	VAL-4003	12#14, #14GND	
C-4000-007	3/4"	CPB-BWTT-1	VAL-4011	12#14, #14GND	
C-4000-008	3/4"	CPB-BWTT-1	VAL-4012	12#14, #14GND	
C-4000-009	3/4"	CPB-BWTT-1	VAL-4013	12#14, #14GND	
C-4000-010	3/4"	CPB-BWTT-1	HT-RM-1	4#14, #14GND	
C-4000-011	3/4"	CPB-BWTT-1	VAL-4030	10#14, #14GND	
C-4000-012	-	-	-	NOT USED	
C-4000-013	-	-	-	NOT USED	

CONDUIT NO.	SIZE	FROM	TO	CONDUCTORS	REMARKS
I-4000-001	1"	CP-WIL-BCB	IPB-BWTT-1	2(2/C#16TSH), #14GND	
I-4000-002	1"	CP-WIL-BCB	IPB-BWTT-1	EMPTY W/ PULLSTRING	
I-4000-003	-	-	-	NOT USED	
I-4000-004	3/4"	IPB-BWTT-1	VAL-4030	2(2/C#16TSH), #14GND	
I-4000-005	3/4"	IPB-BWTT-1	LIT-4000	(2/C#16TSH), #14GND	
I-4000-006	3/4"	LIT-4000	LE-4000	MAN. SUPPLIED CABLE	
I-4000-007	3/4"	IPB-BWTT-1	LIT-4010	(2/C#16TSH), #14GND	
I-4000-008	3/4"	LIT-4010	LE-4010	MAN. SUPPLIED CABLE	
I-4000-009	-	-	-	NOT USED	
I-4000-010	-	-	-	NOT USED	
I-4000-011	3/4"	IPB-BWTT-1	FIT-4030	(2/C#16TSH), #14GND	
I-4000-012	3/4"	FIT-4030	FE-4030	MAN. SUPPLIED CABLE	
I-4000-013	1"	CP-WIL-BCB	VCP-4000	CAT6 CABLE, #14 GND	
I-4000-014	-	-	-	NOT USED	
I-4000-015	-	-	-	NOT USED	

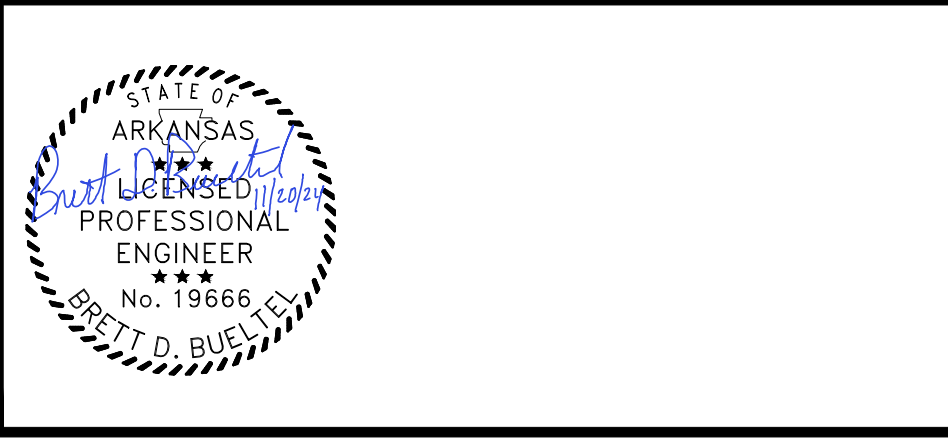
File: C:\USERS\NINELSON\Documents\HAZEN AND SAWYER\60711-001_WILSON_WTP_REHAB_FILTER_BASINPROJECT FILES\00_ELECTRICAL\E4003 Saved by SCHAVEZ Save date: 11/18/2024 12:40 PM
 PLOT DATE: 11/19/2024 1:47 PM BY: NINELSON

GMP SUBMITTAL. DO NOT USE FOR CONSTRUCTION.

REV	ISSUED FOR	DATE	BY

PROJECT MANAGER:	T. HUDSON
DESIGNED BY:	N. NELSON
DRAWN BY:	N. NELSON
PROJECT ENGINEER:	B. BUELTEL

IF THIS BAR DOES NOT MEASURE 1" THEN DRAWING IS NOT TO FULL SCALE



CENTRAL ARKANSAS WATER
 LITTLE ROCK, ARKANSAS

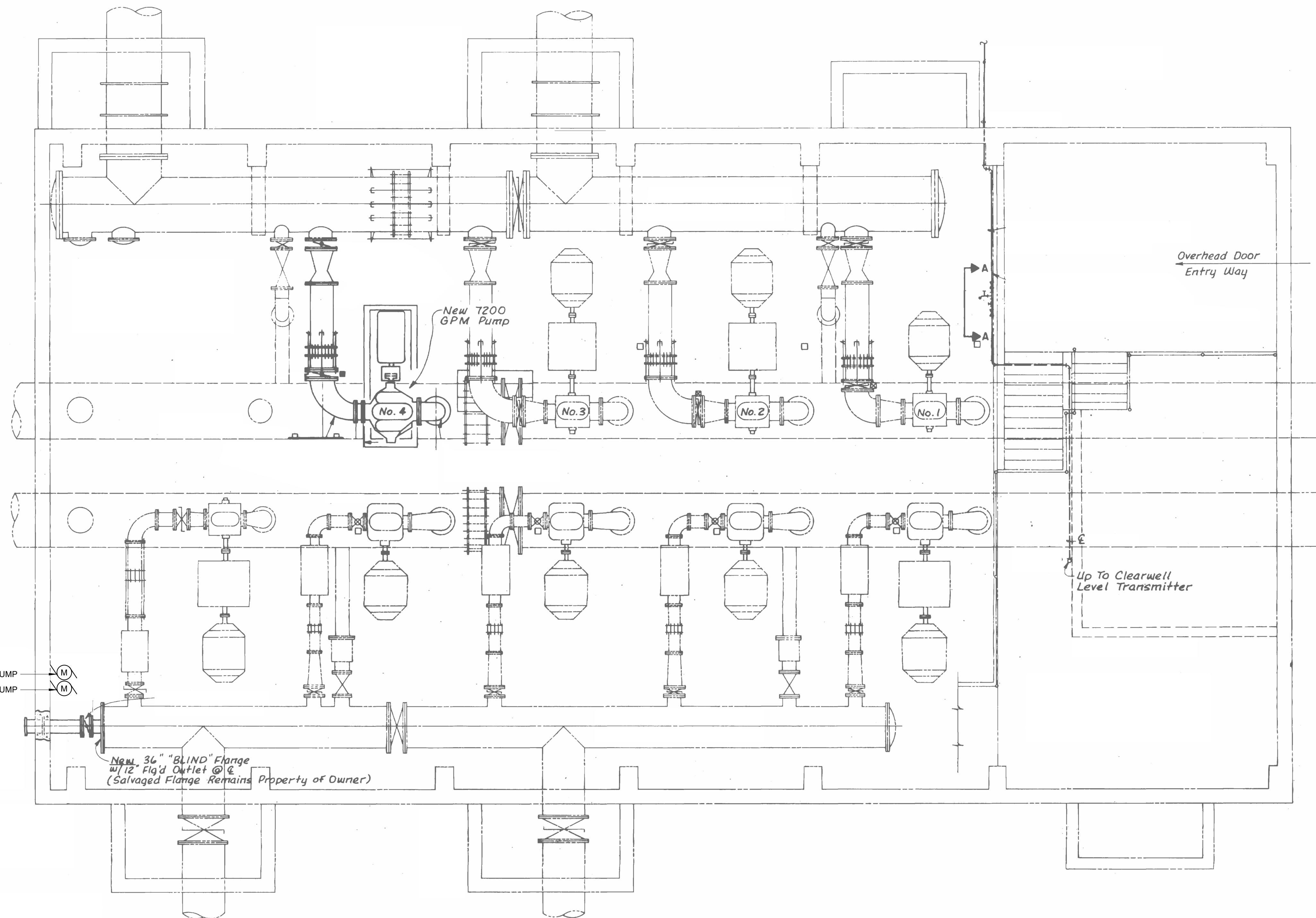
JACK H. WILSON WTP RENEWAL AND
 RESILIENCY PROJECT

BACKWASH TREATMENT TANK
 ELECTRICAL
 CONTROL BLOCK DIAGRAMS AND CONDUIT AND
 WIRE SCHEDULES

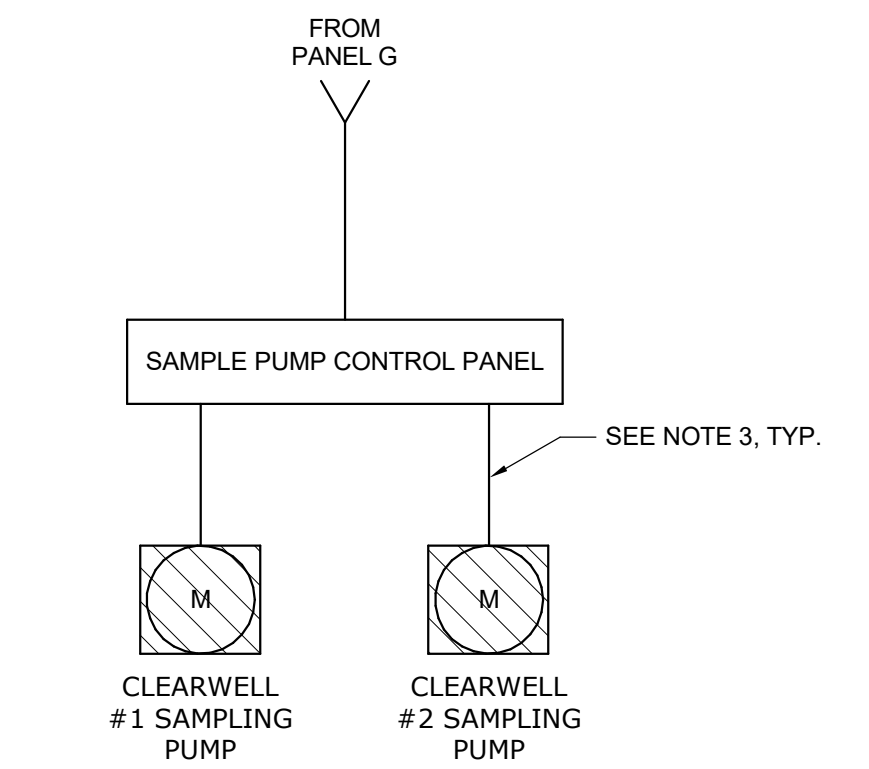
DATE:	NOVEMBER 2024
HAZEN NO.:	60711-003
CONTRACT NO.:	1
DRAWING NUMBER:	E4003

NOTES:

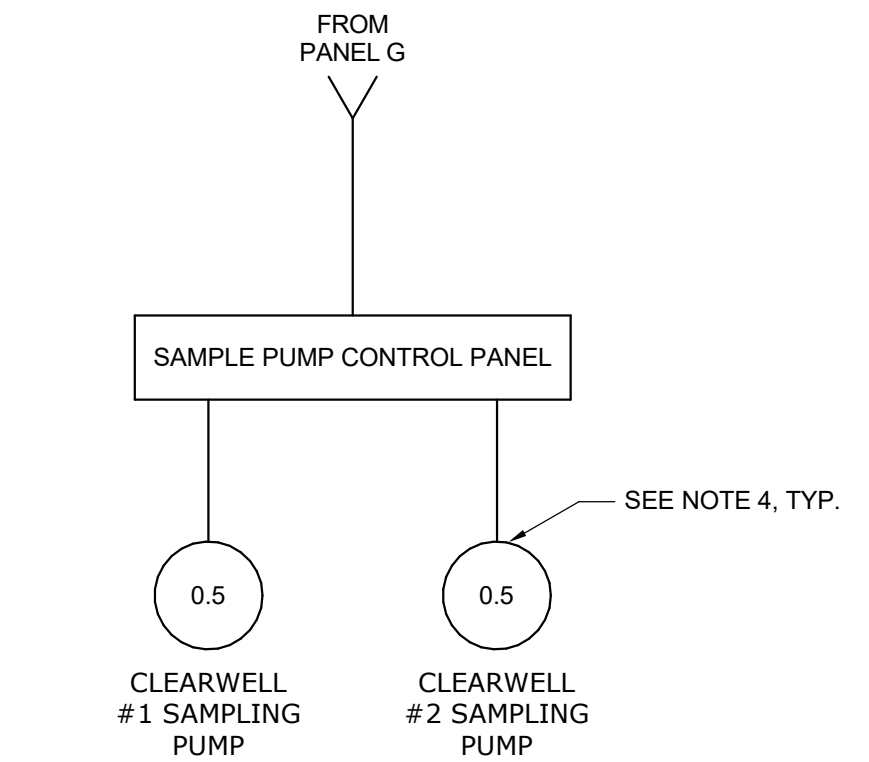
1. RECORD DRAWING IS NOT TO SCALE AND IS FOR PUMP LOCATION REFERENCE ONLY. CONTRACTOR TO FIELD VERIFY EXISTING CONDITIONS. MOST NOTES HAVE BEEN REMOVED FOR PLAN CLARITY. ANY EXISTING NOTES ARE NOT APPLICABLE TO CURRENT PROJECT. DRAWING WAS PULLED FROM SHEET M-25 OF THE 1985 RECORD DRAWINGS OF THE "EXPANSION OF PLEASANT VALLEY WATER TREATMENT PLANT" SET, PREPARED BY CRIST ENGINEERS, INC.
2. CLEARWELL PUMPS ARE LOCATED WITHIN PUMP STATION 1A.
3. DISCONNECT PUMP AND PRESERVE CONDUCTORS AND CONDUIT FOR REUSE.
4. PUMP IS TO BE REPLACED IN-KIND. RECONNECT PUMP USING EXISTING CONDUCTORS AND CONDUIT.



SAMPLE PUMP PLAN
N.T.S.



SAMPLE PUMP DEMOLITION
RISER DIAGRAM



SAMPLE PUMP
RISER DIAGRAM

CLEARWELL #2 SAMPLE PUMP
CLEARWELL #1 SAMPLE PUMP

New 36" BLIND Flange w/ 12" Flg'd Outlet @ 6"
(Salvaged Flange Remains Property of Owner)

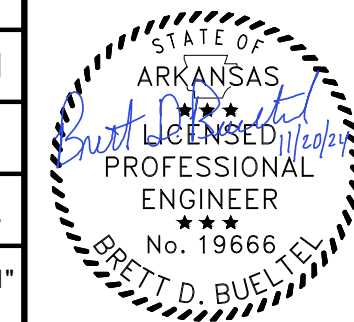
Up To Clearwell Level Transmitter

Overhead Door Entry Way

Autodesk DocuSign/60711-001_Wilson_WTP_Rehab_Elec_Basch/60711-003-5000-CHELEC.rvt 11/20/2024 8:48:57 AM

REV	ISSUED FOR	DATE	BY

PROJECT MANAGER:	T. HUDSON
DESIGNED BY:	N. NELSON
DRAWN BY:	N. NELSON
PROJECT ENGINEER:	B. BUELTEL
IF THIS BAR DOES NOT MEASURE 1" THEN DRAWING IS NOT TO FULL SCALE	0 1/2" 1"



Hazen
HAZEN AND SAWYER
8150 N. CENTRAL EXPRESSWAY
TOWER II - SUITE 700
DALLAS, TEXAS 75206

CENTRAL ARKANSAS WATER
LITTLE ROCK, ARKANSAS

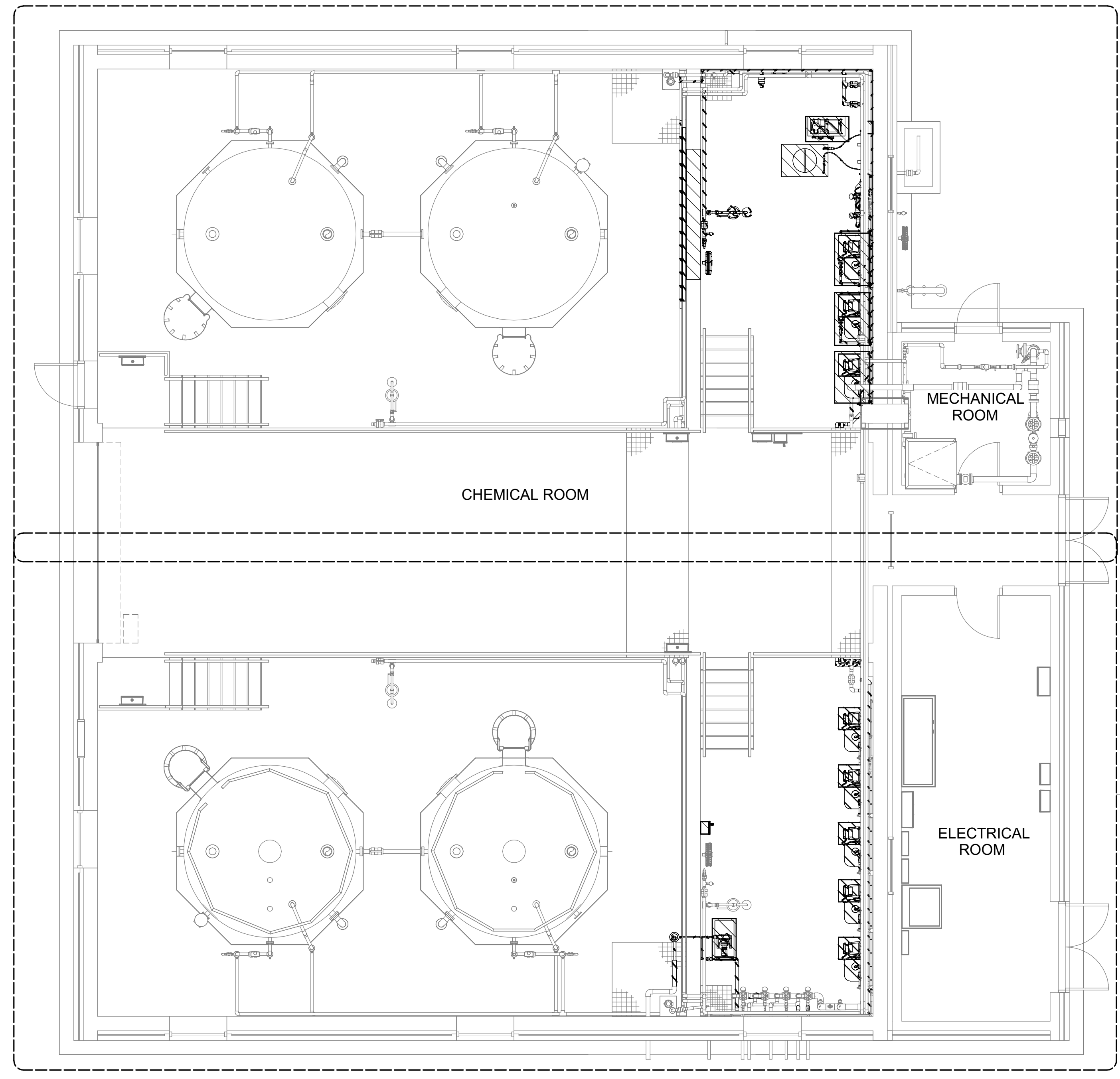
JACK H. WILSON WTP RENEWAL
AND RESILIENCY PROJECT

CLEARWELL
ELECTRICAL
SAMPLE PUMP PLAN AND RISER DIAGRAMS

GMP SUBMITTAL. DO NOT USE FOR CONSTRUCTION.

DATE:	NOVEMBER 2024
HAZEN NO.:	60711-003
CONTRACT NO.:	1
DRAWING NUMBER:	E5000

NOTES:
 1. DEMO PLAN DRAWINGS SHOW APPROXIMATE EQUIPMENT AND INSTRUMENTATION LOCATIONS.



SEE ENLARGED CONTAINMENT AREA NORTH - DEMOLITION/E6001

SEE ENLARGED CONTAINMENT AREA SOUTH - DEMOLITION/E6002

OVERALL PLAN - DEMOLITION
 3/16" = 1'-0"

GMP SUBMITTAL. DO NOT USE FOR CONSTRUCTION.

Autodesk_Docs\60711-001_Wilson_WTP_Rehab_File_Base\60711-003-600-SHCB-ELEC.rvt
 11/19/2024 10:12:57 AM

REV	ISSUED FOR	DATE	BY

PROJECT MANAGER:	T. HUDSON
DESIGNED BY:	S. CHAVEZ
DRAWN BY:	S. CHAVEZ
PROJECT ENGINEER:	B. BUELTEL
IF THIS BAR DOES NOT MEASURE 1" THEN DRAWING IS NOT TO FULL SCALE	



Hazen
 HAZEN AND SAWYER
 8150 N. CENTRAL EXPRESSWAY
 TOWER II - SUITE 700
 DALLAS, TEXAS 75206

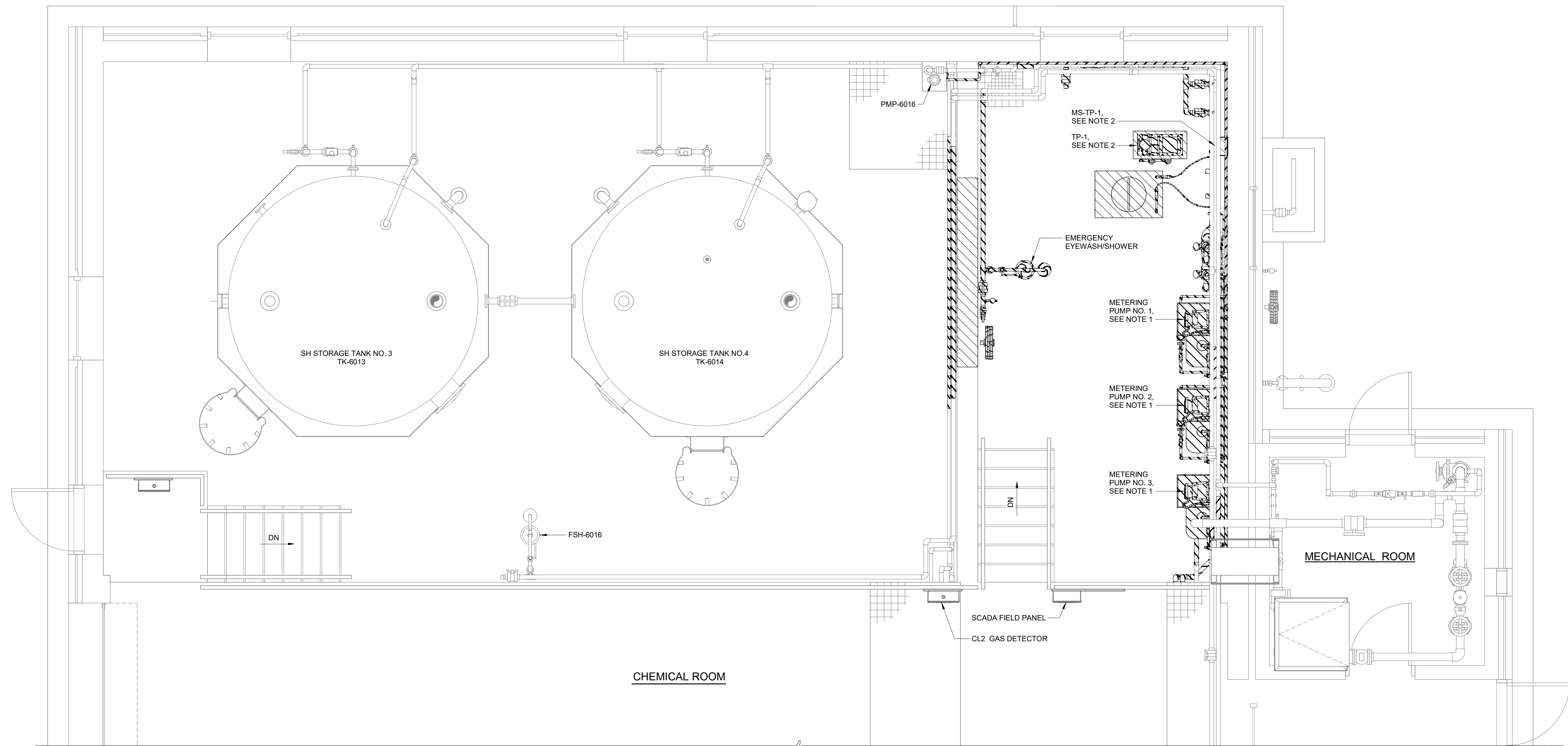
CENTRAL ARKANSAS WATER
 LITTLE ROCK, ARKANSAS
 JACK H. WILSON WTP RENEWAL
 AND RESILIENCY PROJECT

SODIUM HYPOCHLORITE CHEMICAL BUILDING
 ELECTRICAL
 OVERALL PLAN - DEMOLITION

DATE:	NOVEMBER 2024
HAZEN NO.:	60711-003
CONTRACT NO.:	1
DRAWING NUMBER:	E6000



- NOTES:**
1. DISCONNECT AND REMOVE EXISTING METERING PUMPS NO. 1, NO. 2, AND NO. 3 AS SHOWN. DISCONNECT AND REMOVE DISCONNECT SWITCHES, WIRES AND EXPOSED POWER AND CONTROL CONDUITS, INCLUDING FITTINGS, COUPLINGS, SUPPORTING DEVICES, BETWEEN THE EXISTING METERING PUMPS AND SOURCE.
 2. DISCONNECT AND REMOVE EXISTING TRANSFER PUMP NO. 1 AS SHOWN. DISCONNECT AND REMOVE MOTOR, STARTER, WIRES AND EXPOSED POWER AND CONTROL CONDUITS, INCLUDING FITTINGS, COUPLINGS, SUPPORTING DEVICES, BETWEEN THE EXISTING TRANSFER PUMP NO. 1 AND SOURCE.
 3. REFERENCE OTHER DISCIPLINE DRAWINGS FOR ADDITIONAL DEMOLITION REQUIREMENTS.



ENLARGED CONTAINMENT AREA NORTH - DEMOLITION
3/8" = 1'-0"

GMP SUBMITTAL. DO NOT USE FOR CONSTRUCTION.

Autodesk_Docs\60711-001_Wilson_WTP_Rehab_Files_Base\60711-003-6000-SHCB-ELEC.rvt 11/19/2024 10:12:58 AM

REV	ISSUED FOR	DATE	BY

PROJECT MANAGER:	T. HUDSON
DESIGNED BY:	S. CHAVEZ
DRAWN BY:	S. CHAVEZ
PROJECT ENGINEER:	B. BUELTEL
IF THIS BAR DOES NOT MEASURE 1" THEN DRAWING IS NOT TO FULL SCALE	0 1/2" 1"



Hazen
HAZEN AND SAWYER
8150 N. CENTRAL EXPRESSWAY
TOWER II - SUITE 700
DALLAS, TEXAS 75206

CENTRAL ARKANSAS WATER
LITTLE ROCK, ARKANSAS

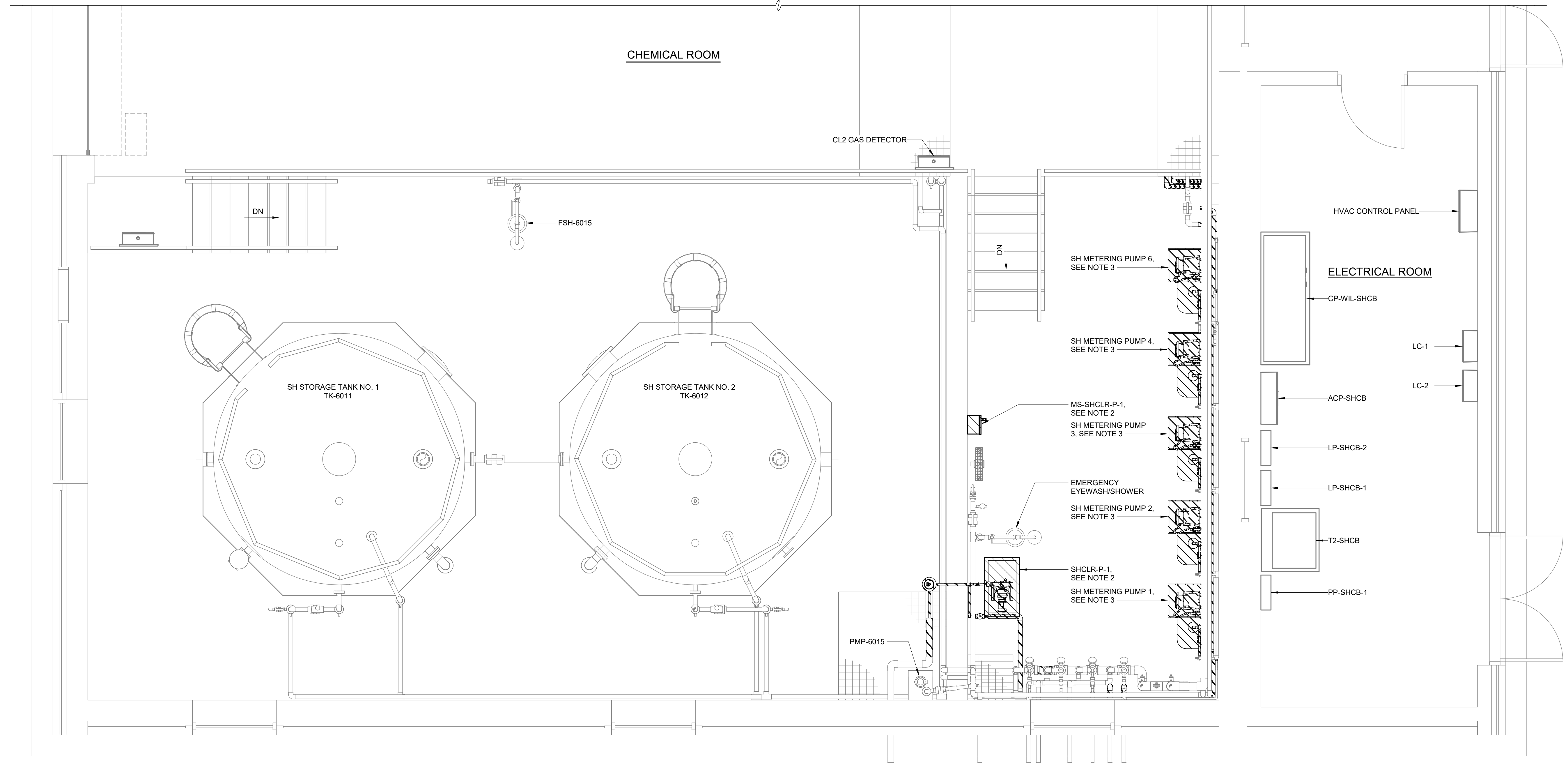
JACK H. WILSON WTP RENEWAL
AND RESILIENCY PROJECT

SODIUM HYPOCHLORITE CHEMICAL BUILDING
ELECTRICAL
ENLARGED CONTAINMENT AREA NORTH -
DEMOLITION

DATE:	NOVEMBER 2024
HAZEN NO.:	60711-003
CONTRACT NO.:	1
DRAWING NUMBER:	E6001



- NOTES:**
- DEMOLITION PLAN DRAWINGS INDICATE APPROXIMATE EQUIPMENT LOCATIONS. COORDINATE EXACT LOCATION WITH FIELD REQUIREMENTS AND OTHER DISCIPLINES.
 - DISCONNECT AND RELOCATE EXISTING TRANSFER PUMP SHCLR-P-1 AS SHOWN. DISCONNECT AND RELOCATE MOTOR STARTER. REFERENCE DRAWING E6004 FOR TRANSFER PUMP NEW LOCATION. TRANSFER PUMP NEW TAG NUMBER IS PMP-6017.
 - DISCONNECT AND REMOVE EXISTING SH METERING PUMPS AS SHOWN. CONDUIT AND WIRE TO REMAIN AND REUSE FOR NEW SH METERING PUMP.
 - REFERENCE OTHER DISCIPLINE DRAWINGS FOR ADDITIONAL DEMILITION REQUIREMENTS.



ENLARGED CONTAINMENT AREA SOUTH - DEMOLITION

3/8" = 1'-0"

GMP SUBMITTAL. DO NOT USE FOR CONSTRUCTION.

Autodesk_Docs/60711-001_Wilson_WTP_Rehab_Files_Base/60711-001-600-SHCB-ELEC-14
11/19/2024 10:13:01 AM

REV	ISSUED FOR	DATE	BY

PROJECT MANAGER:	T. HUDSON
DESIGNED BY:	S. CHAVEZ
DRAWN BY:	S. CHAVEZ
PROJECT ENGINEER:	B. BUELTEL
IF THIS BAR DOES NOT MEASURE 1" THEN DRAWING IS NOT TO FULL SCALE	



Hazen
HAZEN AND SAWYER
8150 N. CENTRAL EXPRESSWAY
TOWER II - SUITE 700
DALLAS, TEXAS 75206

CENTRAL ARKANSAS WATER
LITTLE ROCK, ARKANSAS

JACK H. WILSON WTP RENEWAL
AND RESILIENCY PROJECT

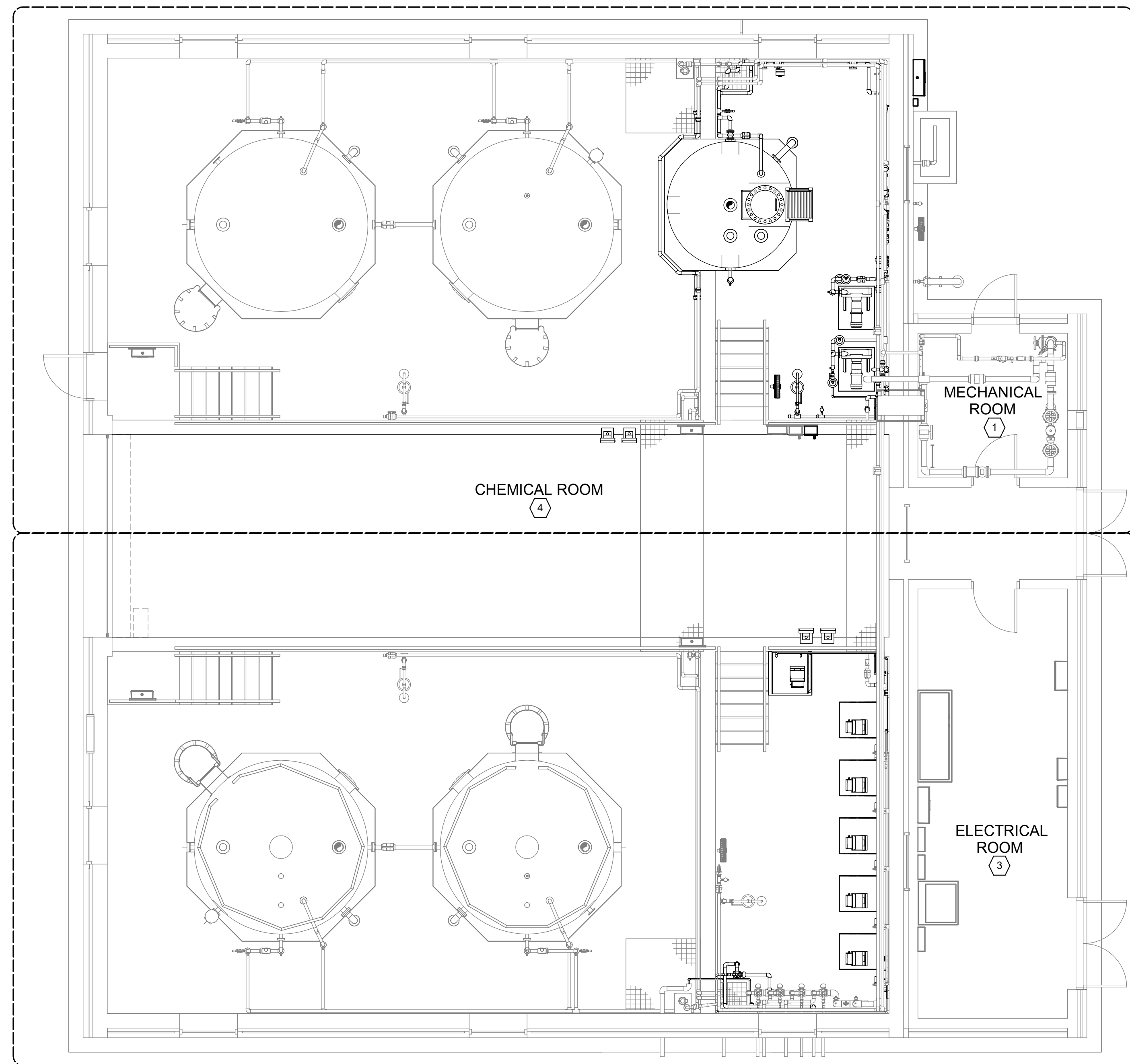
SODIUM HYPOCHLORITE CHEMICAL BUILDING
ELECTRICAL
ENLARGED CONTAINMENT AREA SOUTH-
DEMOLITION

DATE:	NOVEMBER 2024
HAZEN NO.:	60711-003
CONTRACT NO.:	1
DRAWING NUMBER:	E6002



NOTES:
 1. PLAN DRAWINGS SHOW APPROXIMATE EQUIPMENT AND INSTRUMENTATION LOCATIONS. COORDINATE EXACT LOCATIONS WITH FIELD REQUIREMENTS AND OTHER DISCIPLINES AND APPROVED SHOP DRAWINGS.

- AREA DESIGNATIONS:**
- ① INDOOR WET PROCESS AREA
 - ② INDOOR DRY PROCESS AREA
 - ③ INDOOR DRY NON-PROCESS AREA
 - ④ TYPE 1 CHEMICAL STORAGE/TRANSFER AREA
 - ⑤ TYPE 2 CHEMICAL STORAGE/TRANSFER AREA



SEE ENLARGED CONTAINMENT AREA NORTH - POWER PLAN/E6004

SEE ENLARGED CONTAINMENT AREA SOUTH - POWER PLAN/E6005

OVERALL PLAN - POWER PLAN
 3/16" = 1'-0"

GMP SUBMITTAL. DO NOT USE FOR CONSTRUCTION.

Autodesk_Docs\60711-001_Wilson_WTP_Rehab_Filter_Base\60711-003-600-SHCB-ELEC.rvt
 11/19/2024 10:13:03 AM

PROJECT MANAGER:	T. HUDSON		
DESIGNED BY:	S. CHAVEZ		
DRAWN BY:	S. CHAVEZ		
PROJECT ENGINEER:	B. BUELTEL		
IF THIS BAR DOES NOT MEASURE 1" THEN DRAWING IS NOT TO FULL SCALE			
REV	ISSUED FOR	DATE	BY



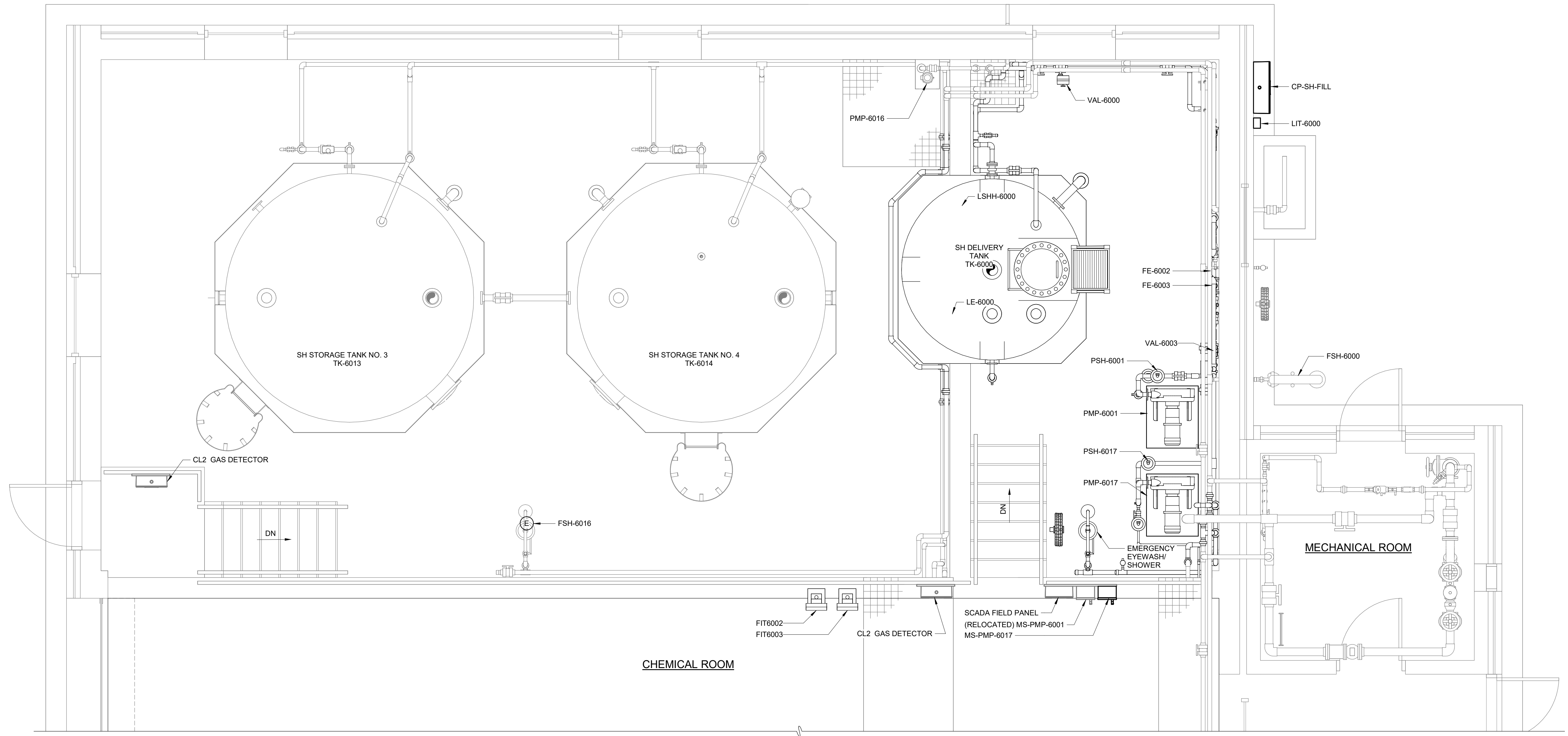
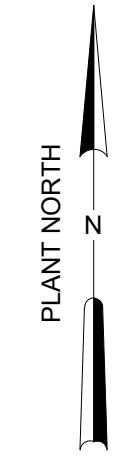
Hazen
 HAZEN AND SAWYER
 8150 N. CENTRAL EXPRESSWAY
 TOWER II - SUITE 700
 DALLAS, TEXAS 75206

CENTRAL ARKANSAS WATER
 LITTLE ROCK, ARKANSAS
 JACK H. WILSON WTP RENEWAL
 AND RESILIENCY PROJECT

SODIUM HYPOCHLORITE CHEMICAL BUILDING
 ELECTRICAL
 OVERALL PLAN - POWER PLAN

DATE:	NOVEMBER 2024
HAZEN NO.:	60711-003
CONTRACT NO.:	1
DRAWING NUMBER:	E6003

NOTES:
 1. PLAN DRAWINGS SHOW APPROXIMATE EQUIPMENT AND INSTRUMENTATION LOCATIONS. COORDINATE EXACT LOCATIONS WITH FIELD REQUIREMENTS AND OTHER DISCIPLINES AND APPROVED SHOP DRAWINGS.



ENLARGED CONTAINMENT AREA PLAN NORTH - POWER PLAN
 3/8" = 1'-0"

GMP SUBMITTAL. DO NOT USE FOR CONSTRUCTION.

Autodesk Docs/60711-001_Wilson_WTP_Rehab_File_Base/60711-001-600-SHCB-ELEC-1
 11/20/2024 10:13:04 AM

REV	ISSUED FOR	DATE	BY

PROJECT MANAGER:	T. HUDSON
DESIGNED BY:	S. CHAVEZ
DRAWN BY:	S. CHAVEZ
PROJECT ENGINEER:	B. BUELTEL
IF THIS BAR DOES NOT MEASURE 1" THEN DRAWING IS NOT TO FULL SCALE	



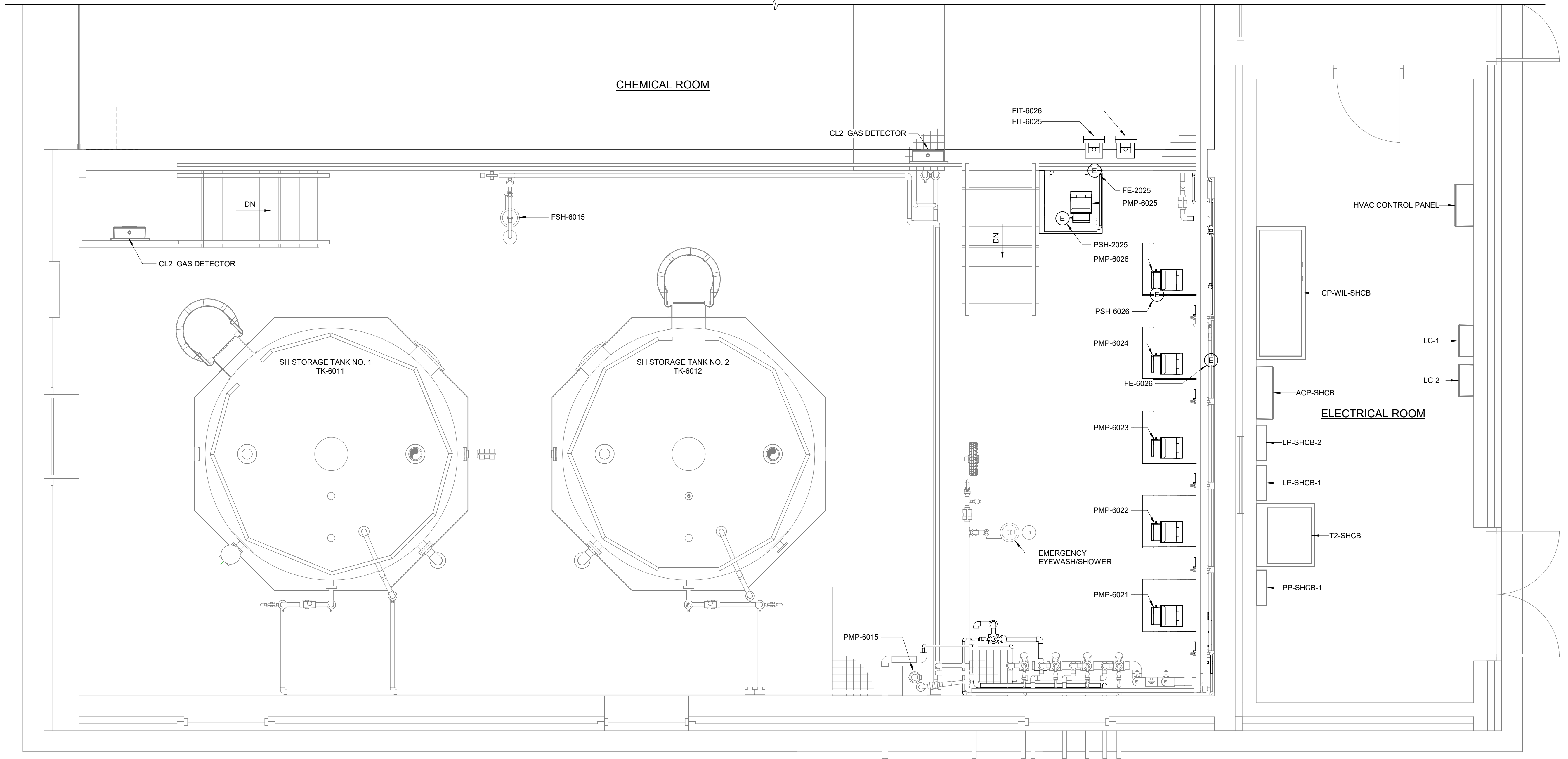
Hazen
 HAZEN AND SAWYER
 8150 N. CENTRAL EXPRESSWAY
 TOWER II - SUITE 700
 DALLAS, TEXAS 75206

CENTRAL ARKANSAS WATER
 LITTLE ROCK, ARKANSAS
 JACK H. WILSON WTP RENEWAL
 AND RESILIENCY PROJECT

SODIUM HYPOCHLORITE CHEMICAL BUILDING
 ELECTRICAL
 ENLARGED CONTAINMENT AREA NORTH- POWER
 PLAN

DATE:	NOVEMBER 2024
HAZEN NO.:	60711-003
CONTRACT NO.:	1
DRAWING NUMBER:	E6004

NOTES:
 1. PLAN DRAWINGS SHOW APPROXIMATE EQUIPMENT AND INSTRUMENTATION LOCATIONS. COORDINATE EXACT LOCATIONS WITH FIELD REQUIREMENTS AND OTHER DISCIPLINES AND APPROVED SHOP DRAWINGS.



ENLARGED CONTAINMENT AREA PLAN SOUTH - POWER PLAN

3/8" = 1'-0"

GMP SUBMITTAL. DO NOT USE FOR CONSTRUCTION.

Autodesk Docs/60711-001_Wilson_WTP_Rehab_Fit_Basch/60711-001-600-SHCB-ELEC-1
 11/19/2024 10:13:04 AM

REV	ISSUED FOR	DATE	BY

PROJECT MANAGER:	T. HUDSON
DESIGNED BY:	S. CHAVEZ
DRAWN BY:	S. CHAVEZ
PROJECT ENGINEER:	B. BUELTEL
IF THIS BAR DOES NOT MEASURE 1" THEN DRAWING IS NOT TO FULL SCALE	



Hazen
 HAZEN AND SAWYER
 8150 N. CENTRAL EXPRESSWAY
 TOWER II - SUITE 700
 DALLAS, TEXAS 75206

CENTRAL ARKANSAS WATER
 LITTLE ROCK, ARKANSAS
 JACK H. WILSON WTP RENEWAL
 AND RESILIENCY PROJECT

SODIUM HYPOCHLORITE CHEMICAL BUILDING
 ELECTRICAL
 ENLARGED CONTAINMENT AREA SOUTH - POWER
 PLAN

DATE:	NOVEMBER 2024
HAZEN NO.:	60711-003
CONTRACT NO.:	1
DRAWING NUMBER:	E6005

NOTES:

- TRANSFER PUMP SCHLR-P-1 IS TO BE RELOCATED WITHIN THE SODIUM HYPOCHLORITE BUILDING. SEE SHEET E6002 FOR NEW TRANSFER PUMP LOCATION.
- REFERENCE DRAWINGS E6004 AND E6007 FOR NEW TRANSFER PUMP TAG NUMBER.
- REFERENCE DRAWING E6001 FOR EQUIPMENT DEMOLITION DETAIL. CIRCUIT BREAKERS SHALL REMAIN AND BE RELABELED AS SPARE.
- DISCONNECT AND REMOVE CONDUIT AND WIRE BETWEEN SHCLR-P-1 AND MOTOR STARTER MS-SHCLR-P-1 DISCONNECT AND REMOVE CONDUIT AND WIRE BETWEEN MOTOR STARTER AND POWER PANEL PP-SHCB-1.

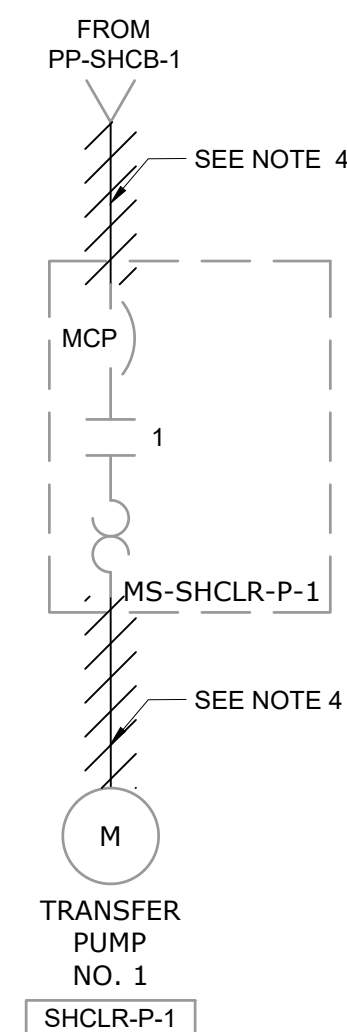
480/277 VOLTS 3 PHASE, 4 WIRE				PP-SHCB-1 MAIN LUGS ONLY 400A 3P				TYPE: NEMA 1 MOUNT: SURFACE									
MODS	DESCRIPTION	WIRE	TRIP	POLE	CKT No.	VOLT-AMPERES			VOLT-AMPERES			CKT No.	POLE	TRIP	WIRE	DESCRIPTION	MODS
						A	B	C	A	B	C						
SPACE					1	-	-	-	13,333			2				PANEL "LP1" AND "LP2"	
					3				13,333			4	3	70			
					5					13,333		6					
					7	14,400			3,033			8					
MAU-2			70	3	9		14,400		3,033			10	3	20		AHU-2	
					11			14,400		3,033		12					
					13	330			333			14					
SUMP PUMP 1			20	3	15		330		333			16	3	20		SUMP PUMP 2	
					17			330		333		18					
					19	1,390			166			20					
UH-2			20	3	21		1,390		166			22	3	20		EF-6 AND EF-8	
					23			1,390		166		24					
					25	83			1,330			26					
EF-7			20	3	27		83		1,330			28	3	20		TRANSFER PUMP MS-SHCLR-P-1	
					29			83		1,330		30					
					31	83			667			32				TRANSFER PUMP TP-1	
					33		83		667			34	3	20			
					35		83		667			36					
LIGHTS-INTERIOR			30	3	37	2,250			250			38	3	20		FLOURIDE SUMP PUMP	
LIGHTS-INTERIOR			30	3	39		2,250		250			40					
LIGHTS-INTERIOR			30	3	41		2,250		250			42					

TOTAL	18,536	18,536	18,533
PHASE TOTAL			
	37,648	37,648	37,645

19,112	19,112	19,112	TOTAL
TOTAL LOAD (VA)			
			112,941
TOTAL LOAD (A)			
			136

MODIFICATION (MODS) LEGEND:
 EPD - GROUND FAULT CIRCUIT INTERRUPTER (30mA)
 GFCT - GROUND FAULT CIRCUIT INTERRUPTER (5mA)
 LOD - LOCK-ON DEVICE
 LFD - LOCK-OFF DEVICE

NOTES:



SEE NOTE 1 AND 2

SEE NOTE 3

SEE NOTE 3

208/120 VOLTS 3 PHASE, 4 WIRE				LP-SHCB-1 MAIN BREAKER 150A 3P				TYPE: NEMA 1 MOUNT: SURFACE									
MODS	DESCRIPTION	WIRE	TRIP	POLE	CKT No.	VOLT-AMPERES			VOLT-AMPERES			CKT No.	POLE	TRIP	WIRE	DESCRIPTION	MODS
						A	B	C	A	B	C						
SPARE			50	2	1	-	-	-	1,440			2	1	20		RECEPTACLES-MECH. ROOM	
					3					900		4	1	20		RECEPTACLES-ELECT. ROOM	
					5						0	6	1	20		RECEPTACLES-CHEM. AREA	
					7	250						8	1	20		RECEPTACLES-CHEM. AREA	
					9		250			530		10	1	20		RECEPTACLES-CHEM. AREA	
					11			250			1,000	12	1	20		RECEPTACLES-CHEM. AREA	
					13	250						14	1	20		EF-10	
					15		250			500		16	1	20		ACCESS CONTROL PANEL	
					17			250			250	18	1	20		FIT-600	
					19	250		250				20	1	20		FIT-601	
					21		250			250		22	1	20		FIT-602	
					23			250			250	24	1	20		FIT-603	
					25	640					250	26	1	20		FIT-605 WEST MTR	
					27		260			250		28	1	20		FIT-604 EAST MTR	
					29			250				30	1	20		SPARE	
					31	2,700						32	1	20		SPARE	
					33							34	1	20		ADVENT	
					35							36	1	20		SCADA	
					37	100						38	1	20		SPARE	
					39		100					40		40		SPARE	
					41							42	1	40		SPARE	

TOTAL	4,190	1,110	850
PHASE TOTAL			
	6,630	3,540	2,350

2,440	2,430	1,500	TOTAL
TOTAL LOAD (VA)			
			12,520
TOTAL LOAD (A)			
			35

MODIFICATION (MODS) LEGEND:
 EPD - GROUND FAULT CIRCUIT INTERRUPTER (30mA)
 GFCT - GROUND FAULT CIRCUIT INTERRUPTER (5mA)
 LOD - LOCK-ON DEVICE
 LFD - LOCK-OFF DEVICE

NOTES:

File: C:\USERS\NINELSON\Documents\HAZEN AND SAWYER\60711-001_WILSON_WTP_REHAB_FILTER_BASINPROJECT FILES\00_ELECTRICAL\E6006 Saved by NINELSON Save date: 11/15/2024 12:59 PM
 PLOT DATE: 11/19/2024 1:47 PM BY: NINELSON

SEE NOTE 3

GMP SUBMITTAL. DO NOT USE FOR CONSTRUCTION.

PROJECT MANAGER:	T. HUDSON
DESIGNED BY:	S. CHAVEZ
DRAWN BY:	N. NELSON
PROJECT ENGINEER:	B. BUELTEL
IF THIS BAR DOES NOT MEASURE 1" THEN DRAWING IS NOT TO FULL SCALE	0 1/2" 1"
REV	ISSUED FOR
	DATE
	BY



CENTRAL ARKANSAS WATER
 LITTLE ROCK, ARKANSAS
 JACK H. WILSON WTP RENEWAL AND
 RESILIENCY PROJECT

SODIUM HYPOCHLORITE CHEMICAL BUILDING
 ELECTRICAL
 DEMOLITION PANEL SCHEDULES

DATE:	NOVEMBER 2024
HAZEN NO.:	60711-003
CONTRACT NO.:	1
DRAWING NUMBER:	E6006

NOTES:

1. CIRCUIT BREAKER IS TO REMIAN AND RELABELLED AS SPARE.

208/120 VOLTS 3 PHASE, 4 WIRE				LP-SHCB-2 MAIN BREAKER 150A 3P				TYPE: NEMA 1 MOUNT: SURFACE						
MODS	DESCRIPTION	WIRE	TRIP	POLE	CKT No.	VOLT-AMPERES			CKT No.	POLE	TRIP	WIRE	DESCRIPTION	MODS
						A	B	C						
	SPACE			1	1	-			2	1	20		RECEPTACLE-ELECT. ROOM	
	SPACE			1	3	-			4	1	20		RECEPTACLE-ELECT. ROOM	
	SPACE			1	5	-			6	1	20		SCADA FIELD PANEL	
	GEN BAT. CHARGER		20	1	7	300			8	1	20		SHC FILL STATION	
	GEN BLOCK HEATER		20	3	9		1,700		10	1	20		LIT-SPARE	
		11					12	1	20	HFS EYE WASH HEAT TRACE				
		13			1,700		14	1	20	SPARE				
	SPARE		20	1	15	-			16	1	20		HEAT TRACE FILL STATION	
	ALGAE CONTROL 1		20	1	17				18	1	20		UNKNOWN (SPARE?)	
	ALGAE CONTROL 2		20	1	19	20			20	1	20		TANK VALVE 1	
	ALGAE CONTROL 3		20	1	21		20		22	1	20		TANK VALVE 2	
	ALGAE CONTROL 4		20	1	23				24	1	20		TANK VALVE 3	
	OVERHEAD DOOR		30	1	25	1,000			26	1	20		TANK VALVE 4	
	SPARE		20	1	27	-			28	2	30		LIGHTS-EXTERIOR (LC-1)	
	SPARE		20	1	29			30						
	HFS TANK RECEPTACLE		20	1	31	180			32	1			SPACE	
	HFS TANK RECEPTACLE CONTROLS		20	1	33		200		34	1			SPACE	
	SPARE		20	1	35				36	1			SPACE	
	SPARE		20	1	37	-			38	1			SPACE	
	SPARE		20	1	39	-			40	1			SPACE	
	UNKNOWN (SPARE?)		20	1	41	-			42	1			SPACE	

TOTAL	3,200	1,920	1,740
PHASE TOTAL			
	4,100	2,670	2,690

900	750	950	TOTAL
TOTAL LOAD (VA)			
9,460			
TOTAL LOAD (A)			
26			

MODIFICATION (MODS) LEGEND:
 EPD - GROUND FAULT CIRCUIT INTERRUPTER (30mA)
 GFCI - GROUND FAULT CIRCUIT INTERRUPTER (5mA)
 LOD - LOCK-ON DEVICE
 LFD - LOCK-OFF DEVICE

NOTES:

SEE NOTE 1

GMP SUBMITTAL. DO NOT USE FOR CONSTRUCTION.

File: C:\USERS\NINELSON\Documents\HAZEN AND SAWYER\60711-001_WILSON_WTP_REHAB_FILTER_BASINPROJECT FILES\900_ELECTRICAL\E6007 Saved by NINELSON Save date: 10/10/2024 3:04 PM
 PLOT DATE: 11/19/2024 1:48 PM BY: NINELSON

PROJECT MANAGER:	T. HUDSON
DESIGNED BY:	S. CHAVEZ
DRAWN BY:	S. CHAVEZ
PROJECT ENGINEER:	B. BUELTEL
IF THIS BAR DOES NOT MEASURE 1" THEN DRAWING IS NOT TO FULL SCALE	0 1/2" 1"



Hazen
 HAZEN AND SAWYER
 8150 N. CENTRAL EXPRESSWAY
 TOWER II - SUITE 700
 DALLAS, TEXAS 75206

CENTRAL ARKANSAS WATER
 LITTLE ROCK, ARKANSAS

JACK H. WILSON WTP RENEWAL AND
 RESILIENCY PROJECT

SODIUM HYPOCHLORITE CHEMICAL BUILDING
 ELECTRICAL
 DEMOLITION PANEL SCHEDULES

DATE:	NOVEMBER 2024
HAZEN NO.:	60711-003
CONTRACT NO.:	1
DRAWING NUMBER:	E6007

NOTES:

- NSSC SERIES MANUAL MOTOR STARTING SWITCH WITHOUT OVERLOAD PROTECTION.
- UTILIZE SPARE BREAKERS TO POWER NEW VAL-6000, VAL-6003, FIT-6002, FIT-6003, LIT-6000, CP-SH-FILL, PMP-6025, FIT-6025, FIT-6026 AS SHOWN.
- CONTRACTOR SHALL UPDATE EXISTING PANEL LP-SHCB-1 SCHEDULE TO REFLECT CHANGES SHOWN.
- CONTRACTOR SHALL UPDATE EXISTING PANEL PP-SHCB-1 SCHEDULE TO REFLECT CHANGES SHOWN.
- ROUTE THROUGH EXISTING 2" SPARE CONDUIT IN DB-17 TO FLUORIDE TANKS. SEE SHEET E6009 FOR ADDITIONAL LOADS FROM LP-SHCB-2 TO BE RUN IN THE SAME CONDUIT.
- EXISTING PANEL LP-SHCB-1 IS A SQUARE D MODEL NF, CAT. No. 12281008340040001.
- EXISTING PANEL PP-SHCB-1 IS A SQUARE D MODEL NF, CAT. No. 12272371320030001
- PROVIDE FLEXIBLE POWER PIGTAIL CORD AND PLUG AS SPECIFIED IN SECTION 26 05 19. TERMINATE CONDUCTORS IN JUNCTION BOX WITH TERMINAL STRIPS. INSTALL MINI CHANGE, A-SIZE 3 POLE, FEMALE RECEPTACLE INTO CONDUIT HUB ON MOTOR ACTUATOR FOR POWER CONNECTION.
- PROVIDE FLEXIBLE CONTROLS PIGTAIL CORD AND PLUG AS SPECIFIED IN SECTION 26 05 19. TERMINATE CONDUCTORS IN JUNCTION BOX WITH TERMINAL STRIPS. INSTALL MINI CHANGE, C-SIZE 10 POLE, MALE RECEPTACLE INTO CONDUIT HUB ON MOTOR ACTUATOR FOR CONTROLS CONNECTION.
- POWER AND CONTROLS WIRING SHALL TERMINATE IN SAME JUNCTION BOX. PIGTAIL CORDS FOR BOTH POWER AND CONTROLS FROM JUNCTION BOX TO ACTUATOR SHALL BE RAN IN SAME CONDUIT. SEE SHEET E6010 FOR CONTROLS CONNECTION FROM CP-WIL-SHCB TO JUNCTION BOX.

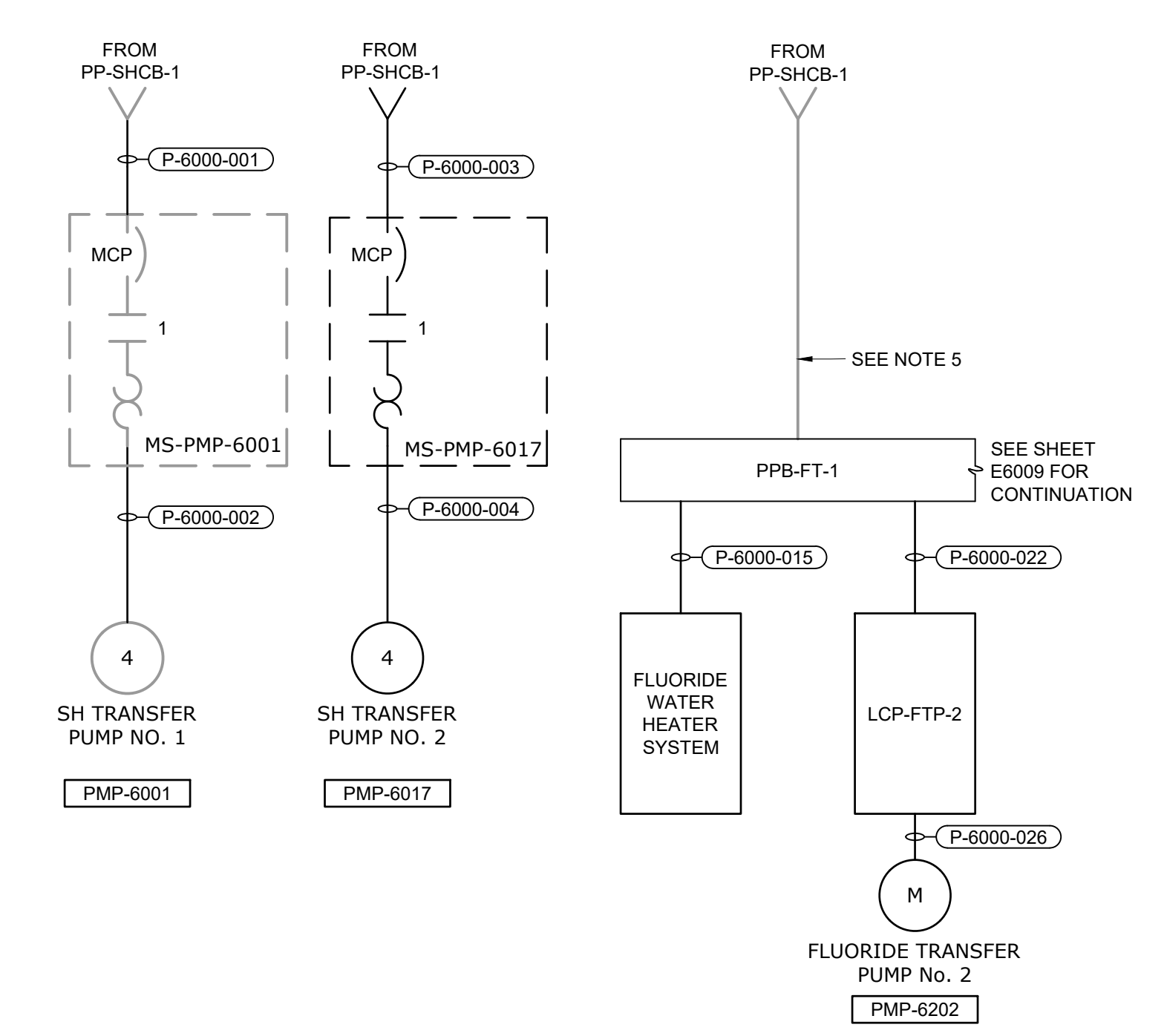
480/277 VOLTS 3 PHASE, 4 WIRE				PP-SHCB-1 MAIN LUGS ONLY 400A 3P				TYPE: NEMA 1 MOUNT: SURFACE						
MODS	DESCRIPTION	WIRE	TRIP	POLE	CKT No.	VOLT-AMPERES			CKT No.	POLE	TRIP	WIRE	DESCRIPTION	MODS
						A	B	C						
LFD	FLUORIDE WATER HEATER SYSTEM	P-6000-015	25	3	1	4,500			2				PANEL "LP1" AND "LP2"	
					3		4,500		4	3	70			
					5		4,500		6					
					7	14,400			8					
MAU-2			70	3	9		14,400		10	3	20		AHU-2	
					11		14,400		12					
					13	330			14					
SUMP PUMP 1			20	3	15		330		16	3	20		SUMP PUMP 2	
					17		330		18					
					19	1,390			20					
UH-2			20	3	21		1,390		22	3	20		EF-6 AND EF-8	
					23		1,390		24					
					25	83			26	3	20	P-6000-001	SH TRANSFER PUMP PMP-6001	LFD
EF-7			20	3	27		83		28					
					29		83		30					
					31	83			32					
EF-9			20	3	33		83		34	3	20	P-6000-003	SH TRANSFER PUMP PMP-6017	LFD
					35		83		36					
LIGHTS-INTERIOR			30	3	37	2,250			38					
LIGHTS-INTERIOR			30	3	39		2,250		40	3	20	P-6000-022	LCP-FTP-2	LFD
LIGHTS-INTERIOR			30	3	41		2,250		42					

TOTAL	23,036	23,036	23,033
PHASE TOTAL			
	42,561	42,561	42,558

TOTAL	19,525	19,525	19,525	TOTAL
TOTAL LOAD (VA)				
	127,680			
TOTAL LOAD (A)				
	154			

MODIFICATION (MODS) LEGEND:
 EPD - GROUND FAULT CIRCUIT INTERRUPTER (30mA)
 GFCI - GROUND FAULT CIRCUIT INTERRUPTER (5mA)
 LOD - LOCK-ON DEVICE
 LFD - LOCK-OFF DEVICE

NOTES:



PP-SHCB-1
RISER DIAGRAM

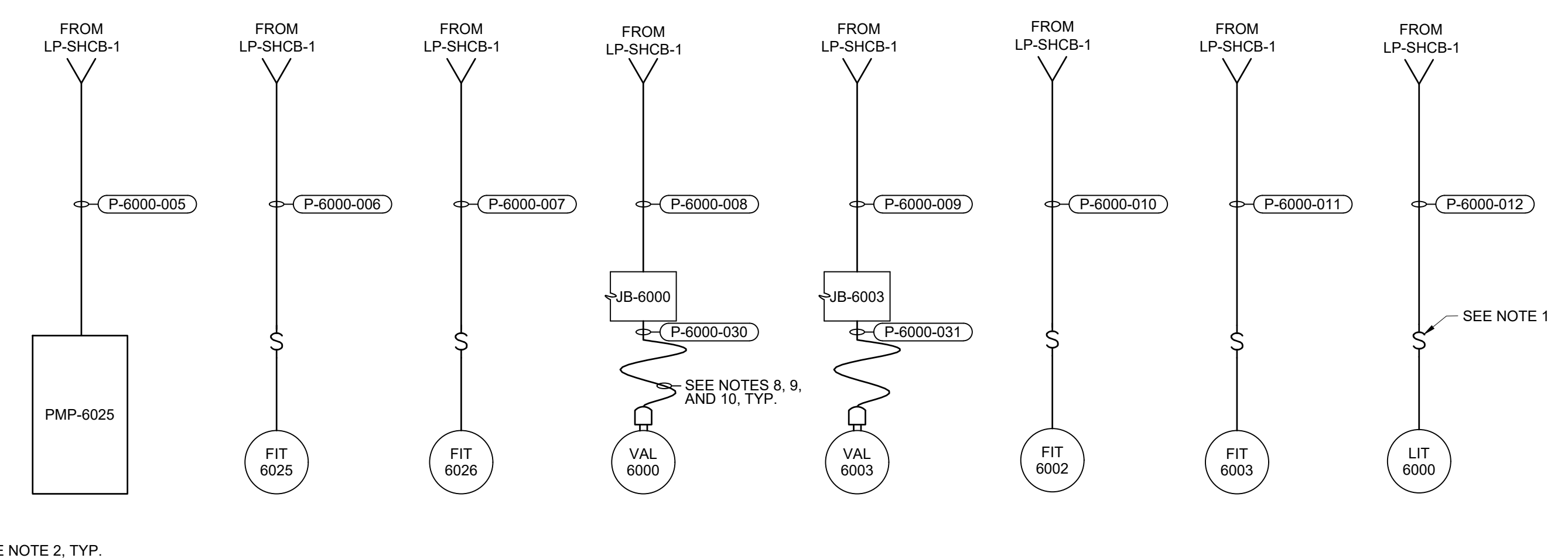
208/120 VOLTS 3 PHASE, 4 WIRE				LP-SHCB-1 MAIN BREAKER 150A 3P				TYPE: NEMA 1 MOUNT: SURFACE						
MODS	DESCRIPTION	WIRE	TRIP	POLE	CKT No.	VOLT-AMPERES			CKT No.	POLE	TRIP	WIRE	DESCRIPTION	MODS
						A	B	C						
	SPARE		50	2	1	-			2	1	20		RECEPTACLES-MECH. ROOM	
					3				4	1	20		RECEPTACLES-ELECT. ROOM	
LFD	VAL-6000	P-6000-008	10	1	5				6	1	20		RECEPTACLES-CHEM. AREA	
LFD	METERING PUMP PMP-6021	-	20	1	7	250			8	1	20		RECEPTACLES-CHEM. AREA	
LFD	METERING PUMP PMP-6023	-	20	1	9		250		10	1	20		RECEPTACLES-CHEM. AREA	
LFD	METERING PUMP PMP-6026	-	20	1	11			1,000	12	1	20		RECEPTACLES-CHEM. AREA	
LFD	METERING PUMP PMP-6022	-	20	1	13	250			14	1	20		EF-10	
LFD	METERING PUMP PMP-6024	-	20	1	15		250		16	1	20		ACCESS CONTROL PANEL	
LFD	VAL-6003	P-6000-009	10	1	17			250	18	1	20		FIT-600	
LFD	FIT-6002	P-6000-010	20	1	19	200			20	1	20		FIT-601	
LFD	FIT-6003	P-6000-011	20	1	21		200		22	1	20		FIT-602	
	HVAC CONTROL PANEL		30	1	23			250	24	1	20		FIT-603	
	LIGHTS-MECHANICAL ROOM		30	1	25	640			26	1	20		FIT-605 WEST MTR	
	LIGHTS-ELECTRICAL ROOM		20	1	27		260		28	1	20		FIT-604 EAST MTR	
	FIT-606		20	1	29			200	30	1	20	P-6000-005	METERING PUMP PMP-6025	LFD
LFD	LIT-6000	P-6000-012	20	1	33		200		32	1	20	P-6000-006	FIT-6025	LFD
LFD	CP-SH-FILL	P-6000-013	20	1	35				34	1	20		ADVENT	
	CL2 GAS DETECTOR		20	1	37	100			36	1	20	P-6000-007	FIT-6026	LFD
	CP-CL2		20	1	39		100		40	2	20		SPARE	
	FIRE ALARM CONTROL PANEL		20	1	41				42	2	20			

TOTAL	4,140	1,260	2,100
PHASE TOTAL			
	6,980	3,690	3,800

TOTAL	2,840	2,430	1,700	TOTAL
TOTAL LOAD (VA)				
	14,470			
TOTAL LOAD (A)				
	40			

MODIFICATION (MODS) LEGEND:
 EPD - GROUND FAULT CIRCUIT INTERRUPTER (30mA)
 GFCI - GROUND FAULT CIRCUIT INTERRUPTER (5mA)
 LOD - LOCK-ON DEVICE
 LFD - LOCK-OFF DEVICE

NOTES:



LP-SHCB-1
RISER DIAGRAM

GMP SUBMITTAL. DO NOT USE FOR CONSTRUCTION.

File: C:\USERS\NINELSON\Documents\HAZEN AND SAWYER\60711-001_WILSON_WTP_REHAB_FILTER_BASINPROJECT FILES\00_ELECTRICAL\E6008 Saved by NINELSON Save date: 11/15/2024 1:41 PM PLOT DATE: 11/19/2024 1:48 PM BY: NINELSON

PROJECT MANAGER:	T. HUDSON
DESIGNED BY:	S. CHAVEZ
DRAWN BY:	S. CHAVEZ
PROJECT ENGINEER:	B. BUELTEL
IF THIS BAR DOES NOT MEASURE 1" THEN DRAWING IS NOT TO FULL SCALE	0 1/2" 1"



Hazen
 HAZEN AND SAWYER
 8150 N. CENTRAL EXPRESSWAY
 TOWER II - SUITE 700
 DALLAS, TEXAS 75206

CENTRAL ARKANSAS WATER
 LITTLE ROCK, ARKANSAS
 JACK H. WILSON WTP RENEWAL AND
 RESILIENCY PROJECT

SODIUM HYPOCHLORITE CHEMICAL BUILDING
 ELECTRICAL
 PANEL SCHEDULES

DATE:	NOVEMBER 2024
HAZEN NO.:	60711-003
CONTRACT NO.:	1
DRAWING NUMBER:	E6008

NOTES:

- CONTRACTOR SHALL UPDATE EXISTING PANEL LP-SHCB-2 SCHEDULE TO REFLECT CHANGES SHOWN.
- ROUTE THROUGH EXISTING 2" SPARE CONDUIT IN DB-17 TO FLUORIDE TANKS. SEE SHEET E6008 FOR ADDITIONAL LOADS FROM LP-SHCB-2 TO BE RUN IN THE SAME CONDUIT.
- EXISTING PANEL LP-SHCB-2 IS A SQUARE D MODEL PANEL, CAT. No. 1228100840050001.

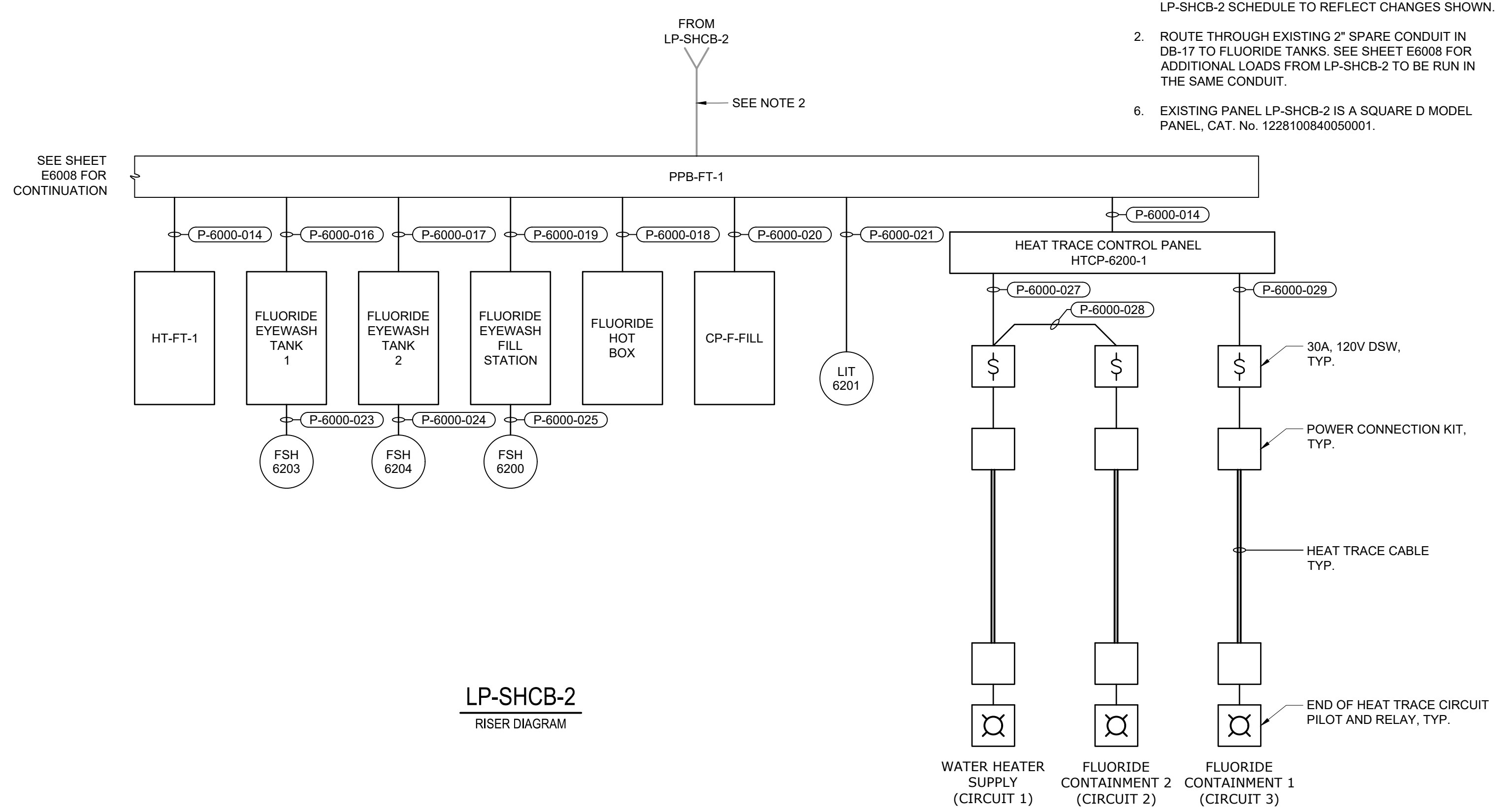
208/120 VOLTS 3 PHASE, 4 WIRE				LP-SHCB-2 MAIN BREAKER 150A 3P				TYPE: NEMA 1 MOUNT: SURFACE							
MODS	DESCRIPTION	WIRE	TRIP	POLE	CKT No.	VOLT-AMPERES			VOLT-AMPERES	CKT No.	POLE	TRIP	WIRE	DESCRIPTION	MODS
						A	B	C							
LFD	FLUORIDE EYEWASH TANK 1	P-6000-016	20	1	1	1,000			200	2	1	20		RECEPTACLE-ELECT. ROOM	
LFD	FLUORIDE EYEWASH TANK 2	P-6000-017	20	1	3				200	4	1	20		RECEPTACLE-ELECT. ROOM	
LFD	FLUORIDE EYEWASH FILL STATION	P-6000-019	20	1	5				200	6	1	20		SCADA FIELD PANEL	
	GEN BAT. CHARGER		20	1	7	300			200	8	1	20		SHC FILL STATION	
	GEN BLOCK HEATER		20	3	9		1,700		-	10	1	20		LIT-SPARE	
					11				-	12	1	20		SPARE	
					13	1,700			-	14	1	20		SPARE	
	SPARE		20	1	15				-	16	1	20		HEAT TRACE FILL STATION	
	ALGAE CONTROL 1		20	1	17				-	18	1	20		UNKNOWN (SPARE?)	
	ALGAE CONTROL 2		20	1	19	20			250	20	1	20		TANK VALVE 1	
	ALGAE CONTROL 3		20	1	21		20		250	22	1	20		TANK VALVE 2	
	ALGAE CONTROL 4		20	1	23				250	24	1	20		TANK VALVE 3	
	OVERHEAD DOOR		30	1	25	1,000			250	26	1	20		TANK VALVE 4	
	FLUORIDE HOT BOX	P-6000-018	20	1	27		200		-	28				LIGHTS-EXTERIOR (LC-1)	
	CP-F-FILL	P-6000-020	20	1	29				-	30	2	30			
	HFS TANK RECEPTACLE		20	1	31	180			-	32	1			SPACE	
	HFS TANK RECEPTACLE CONTROLS		20	1	33		200		-	34	1			SPACE	
	LIT-6201	P-6000-021	20	1	35				-	36	1			SPACE	
	HTCP-6200-1	P-6000-014	30	1	37	3,000			-	38	1			SPACE	
	SPARE		20	1	39				-	40	1			SPACE	
	UNKNOWN (SPARE?)		20	1	41				-	42	1			SPACE	

TOTAL	7,200	3,120	3,940
PHASE TOTAL			
	8,100	3,870	4,890

900	750	950	TOTAL
TOTAL LOAD (VA)			
16,860			
TOTAL LOAD (A)			
47			

MODIFICATION (MODS) LEGEND:
 EPD - GROUND FAULT CIRCUIT INTERRUPTER (30mA)
 GFCI - GROUND FAULT CIRCUIT INTERRUPTER (5mA)
 LOD - LOCK-ON DEVICE
 LFD - LOCK-OFF DEVICE

NOTES:



LP-SHCB-2
RISER DIAGRAM

GMP SUBMITTAL. DO NOT USE FOR CONSTRUCTION.

File: C:\USERS\NINELSON\ACCD\CHAZEN AND SAWYER\PROJECT FILES\W00_ELECTRICAL\E6009 Saved by SCHAVEZ Save date: 11/13/2024 5:34 PM PLOT DATE: 11/19/2024 1:48 PM BY: NINELSON

PROJECT MANAGER:	T. HUDSON
DESIGNED BY:	S. CHAVEZ
DRAWN BY:	S. CHAVEZ
PROJECT ENGINEER:	B. BUELTEL
IF THIS BAR DOES NOT MEASURE 1" THEN DRAWING IS NOT TO FULL SCALE	0 1/2" 1"



Hazen
 HAZEN AND SAWYER
 8150 N. CENTRAL EXPRESSWAY
 TOWER II - SUITE 700
 DALLAS, TEXAS 75206

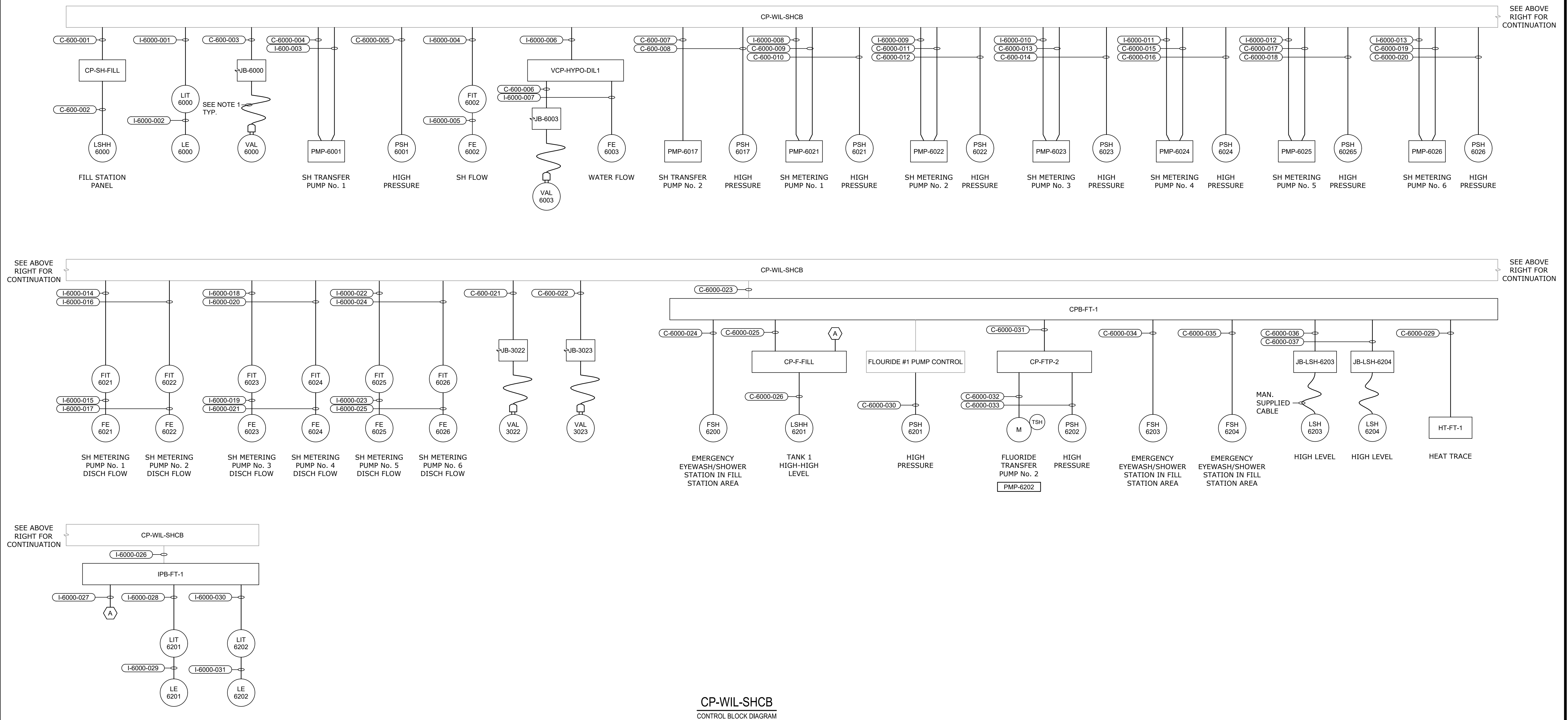
CENTRAL ARKANSAS WATER
 LITTLE ROCK, ARKANSAS
 JACK H. WILSON WTP RENEWAL AND
 RESILIENCY PROJECT

SODIUM HYPOCHLORITE CHEMICAL BUILDING
 ELECTRICAL
 PANEL SCHEDULES

DATE:	NOVEMBER 2024
HAZEN NO.:	60711-003
CONTRACT NO.:	1
DRAWING NUMBER:	E6009

NOTES:

- POWER AND CONTROLS WIRING SHALL TERMINATE IN SAME JUNCTION BOX. PIGTAIL CORDS FOR BOTH POWER AND CONTROLS FROM JUNCTION BOX TO ACTUATOR SHALL BE RAN IN SAME CONDUIT. SEE SHEET E6008 FOR CONNECTION DETAILS AND CONDUIT NUMBER.



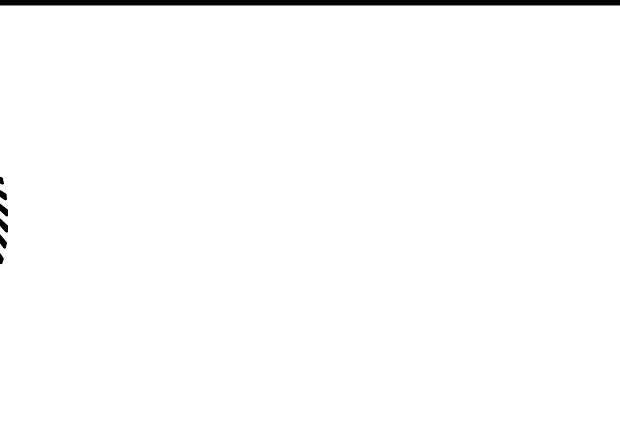
CP-WIL-SHCB
CONTROL BLOCK DIAGRAM

GMP SUBMITTAL. DO NOT USE FOR CONSTRUCTION.

File: C:\USERS\NINELSON\ACCD\SSHAZEN AND SAWYER\60711-001_WILSON_WTP_REHAB_FILTER_BASINPROJECT FILES\900_ELECTRICAL\E6010 Saved by NINELSON Save date: 11/15/2024 1:23 PM
PLOT DATE: 11/19/2024 1:48 PM BY: NINELSON

REV	ISSUED FOR	DATE	BY

PROJECT MANAGER:	T. HUDSON
DESIGNED BY:	S. CHAVEZ
DRAWN BY:	S. CHAVEZ
PROJECT ENGINEER:	B. BUELTEL
IF THIS BAR DOES NOT MEASURE 1" THEN DRAWING IS NOT TO FULL SCALE	



Hazen
HAZEN AND SAWYER
8150 N. CENTRAL EXPRESSWAY
TOWER II - SUITE 700
DALLAS, TEXAS 75206

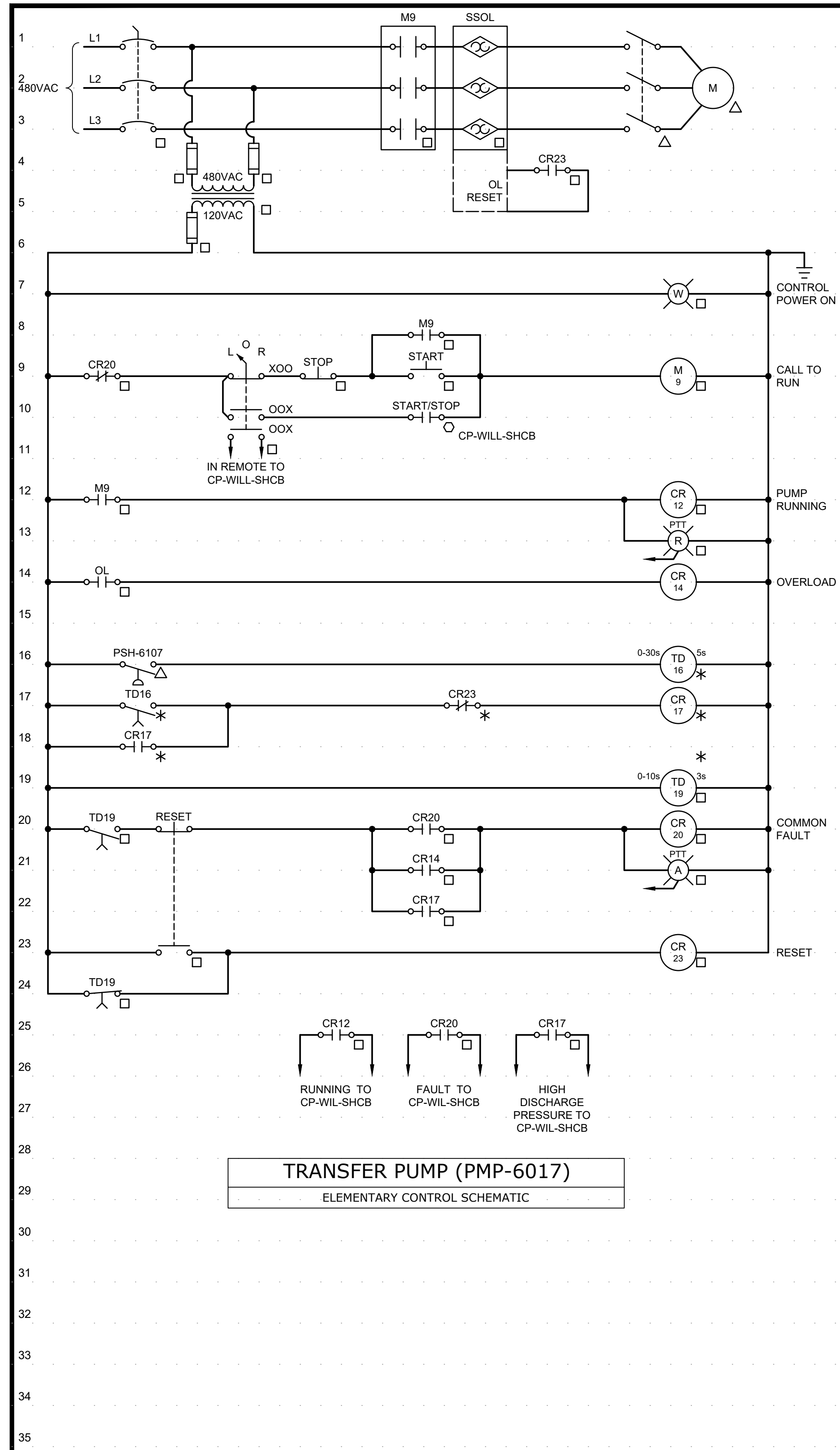
CENTRAL ARKANSAS WATER
LITTLE ROCK, ARKANSAS

JACK H. WILSON WTP RENEWAL AND
RESILIENCY PROJECT

SODIUM HYPOCHLORITE CHEMICAL BUILDING
ELECTRICAL
CONTROL BLOCK DIAGRAM

DATE:	NOVEMBER 2024
HAZEN NO.:	60711-003
CONTRACT NO.:	1
DRAWING NUMBER:	E6010

File: C:\USERS\NINNELSON\Documents\HAZEN AND SAWYER\60711-001_WILSON_WTP_REHAB_FILTER_BASINPROJECT FILES\900_ELECTRICAL\E6011 Saved by SCHAVEZ Save date: 11/14/2024 4:11 PM
PLOT DATE: 11/19/2024 1:48 PM BY: NINNELSON



TRANSFER PUMP (PMP-6017)
ELEMENTARY CONTROL SCHEMATIC

36
37
38
39
40
41
42
43
44
45
46
47
48
49
50
51
52
53
54
55
56
57
58
59
60
61
62
63
64
65
66
67
68
69
70

71
72
73
74
75
76
77
78
79
80
81
82
83
84
85
86
87
88
89
90
91
92
93
94
95
96
97
98
99
100
101
102
103
104
105

GMP SUBMITTAL. DO NOT USE FOR CONSTRUCTION.

REV	ISSUED FOR	DATE	BY

PROJECT MANAGER:	T. HUDSON
DESIGNED BY:	S. CHAVEZ
DRAWN BY:	S. CHAVEZ
PROJECT ENGINEER:	B. BUELTEL
IF THIS BAR DOES NOT MEASURE 1" THEN DRAWING IS NOT TO FULL SCALE	0 1/2" 1"



CENTRAL ARKANSAS WATER
LITTLE ROCK, ARKANSAS

JACK H. WILSON WTP RENEWAL AND RESILIENCY PROJECT

SODIUM HYPOCHLORITE CHEMICAL BUILDING
ELECTRICAL
ELEMENTARY CONTROL SCHEMATICS

DATE:	NOVEMBER 2024
HAZEN NO.:	60711-003
CONTRACT NO.:	1
DRAWING NUMBER:	E6011

CONDUIT NO.	SIZE	FROM	TO	CONDUCTORS	REMARKS
P-6000-001	3/4"	PP-SHCB-1	MS-PMP-6001	3#12, #12GND	
P-6000-002	3/4"	MS-PMP-6001	PMP-6001	3#12, #12GND	
P-6000-003	3/4"	PP-SHCB-1	MS-PMP-6017	3#12, #12GND	
P-6000-004	3/4"	MS-PMP-6017	PMP-6017	3#12, #12GND	
P-6000-005	3/4"	LP-SHCB-1	PMP-6025	2#12, #12GND	
P-6000-006	3/4"	LP-SHCB-1	FIT-6025	2#12, #12GND	VIA DSW
P-6000-007	3/4"	LP-SHCB-1	FIT-6026	2#12, #12GND	VIA DSW
P-6000-008	3/4"	LP-SHCB-1	JB-6000	2#12, #12GND	VIA DSW
P-6000-009	3/4"	LP-SHCB-1	JB-6003	2#12, #12GND	VIA DSW
P-6000-010	3/4"	LP-SHCB-1	FIT-6002	2#12, #12GND	VIA DSW
P-6000-011	3/4"	LP-SHCB-1	FIT-6003	2#12, #12GND	VIA DSW
P-6000-012	3/4"	LP-SHCB-1	LIT-6000	2#12, #12GND	VIA DSW
P-6000-013	1"	LP-SHCB-1	CP-SH-FILL	2#12, #12GND	
P-6000-014	1"	LP-SHCB-2	HTCP-6200-1	2#10, #10GND	VIA EXISTING SPARE 2" TO FLUORIDE
P-6000-015	1"	PP-SHCB-1	FLUORIDE WATER HEATER SYSTEM	2#12, #12GND	VIA EXISTING SPARE 2" TO FLUORIDE
P-6000-016	1"	LP-SHCB-2	FLUORIDE EYEWASH TANK 1	3#12, #12GND	VIA EXISTING SPARE 2" TO FLUORIDE
P-6000-017	1"	LP-SHCB-2	FLUORIDE EYEWASH TANK 2	2#12, #12GND	VIA EXISTING SPARE 2" TO FLUORIDE
P-6000-018	1"	LP-SHCB-2	FLUORIDE HOT BOX	2#12, #12GND	VIA EXISTING SPARE 2" TO FLUORIDE
P-6000-019	3/4"	LP-SHCB-2	FLUORIDE EYEWASH FILL STATION	2#12, #12GND	VIA EXISTING SPARE 2" TO FLUORIDE
P-6000-020	3/4"	LP-SHCB-2	CP-F-FILL	2#12, #12GND	VIA EXISTING SPARE 2" TO FLUORIDE
P-6000-021	3/4"	LP-SHCB-2	LIT-6201	2#12, #12GND	VIA EXISTING SPARE 2" TO FLUORIDE
P-6000-022	3/4"	PP-SHCB-1	LCP-FTP-2	3#12, #12GND	VIA EXISTING SPARE 2" TO FLUORIDE
P-6000-023	3/4"	FLUORIDE EYEWASH TANK 1	FSH-6003	2#12, #12GND	
P-6000-024	3/4"	FLUORIDE EYEWASH TANK 2	FSH-6004	2#12, #12GND	
P-6000-025	3/4"	FLUORIDE EYEWASH FILL STATION	FSH-6000	2#12, #12GND	
P-6000-026	1"	LCP-FTP-2	PMP-6202	3#12, #12GND	
P-6000-027	3/4"	HTCP-6200-1	WATER HEATER SUPPLY - CIRCUIT 1	2#10, #10GND	
P-6000-028	3/4"	WATER HEATER SUPPLY - CIRCUIT 1	FLUORIDE CONT. 2 - CIRCUIT 2	2#10, #10GND	
P-6000-029	3/4"	HTCP-6200-1	FLUORIDE CONT. 1 - CIRCUIT 3	2#10, #10GND	
P-6000-030	1-1/2"	JB-6000	VAL-6000	(2) PIGTAIL CORDSET	POWER AND CONTROLS
P-6000-031	1-1/2"	JB-6003	VAL-6003	(2) PIGTAIL CORDSET	POWER AND CONTROLS

CONDUIT NO.	SIZE	FROM	TO	CONDUCTORS	REMARKS
I-6000-001	3/4"	CP-WIL-SHCB	LIT-6000	(2/C#16TSH), #14GN	
I-6000-002	3/4"	LIT-6000	LE-6000	MAN. SUPPLIED CABLE	
I-6000-003	1"	CP-WIL-SHCB	PMP-6001	3(2/C#16TSH), #14GN	
I-6000-004	3/4"	CP-WIL-SHCB	FIT-6002	(2/C#16TSH), #14GN	
I-6000-005	3/4"	FIT-6002	FE-6002	MAN. SUPPLIED CABLE	
I-6000-006	1"	CP-WIL-SHCB	VCP-HYPO-DIL1	3(2/C#16TSH), #14GN	
I-6000-007	3/4"	VCP-HYPO-DIL1	FE-6003	MAN. SUPPLIED CABLE	
I-6000-008	1"	CP-WIL-SHCB	PMP-6021	2(2/C#16TSH), #14GN	
I-6000-009	1"	CP-WIL-SHCB	PMP-6022	2(2/C#16TSH), #14GN	
I-6000-010	1"	CP-WIL-SHCB	PMP-6023	2(2/C#16TSH), #14GN	
I-6000-011	1"	CP-WIL-SHCB	PMP-6024	2(2/C#16TSH), #14GN	
I-6000-012	1"	CP-WIL-SHCB	PMP-6025	2(2/C#16TSH), #14GN	
I-6000-013	1"	CP-WIL-SHCB	PMP-6026	2(2/C#16TSH), #14GN	
I-6000-014	3/4"	CP-WIL-SHCB	FIT-6021	(2/C#16TSH), #14GN	
I-6000-015	3/4"	FIT-6021	FE-6021	MAN. SUPPLIED CABLE	
I-6000-016	3/4"	CP-WIL-SHCB	FIT-6022	(2/C#16TSH), #14GN	
I-6000-017	3/4"	FIT-6022	FE-6022	MAN. SUPPLIED CABLE	
I-6000-018	3/4"	CP-WIL-SHCB	FIT-6023	(2/C#16TSH), #14GN	
I-6000-019	3/4"	FIT-6023	FE-6023	MAN. SUPPLIED CABLE	
I-6000-020	3/4"	CP-WIL-SHCB	FIT-6024	(2/C#16TSH), #14GN	
I-6000-021	3/4"	FIT-6024	FE-6024	MAN. SUPPLIED CABLE	
I-6000-022	3/4"	CP-WIL-SHCB	FIT-6025	(2/C#16TSH), #14GN	
I-6000-023	3/4"	FIT-6025	FE-6025	MAN. SUPPLIED CABLE	
I-6000-024	3/4"	CP-WIL-SHCB	FIT-6026	(2/C#16TSH), #14GN	
I-6000-025	3/4"	FIT-6026	FE-6026	MAN. SUPPLIED CABLE	
I-6000-026	1-1/2"	CP-WIL-SHCB	IPB-FT-1	4(2/C#16TSH), #14GN	VIA EXISTING 2" TO FLUORIDE
I-6000-027	1"	IPB-FT-1	CP-F-FILL	2(2/C#16TSH), #14GN	
I-6000-028	3/4"	IPB-FT-1	LIT-6201	(2/C#16TSH), #14GN	
I-6000-029	3/4"	LIT-6201	LE-6201	MAN. SUPPLIED CABLE	
I-6000-030	3/4"	IPB-FT-1	LIT-6202	(2/C#16TSH), #14GN	EXISTING CONDUIT
I-6000-031	3/4"	LIT-6202	LE-6202	MAN. SUPPLIED CABLE	
I-6000-032	-	-	-	NOT USED	
I-6000-033	-	-	-	NOT USED	

CONDUIT NO.	SIZE	FROM	TO	CONDUCTORS	REMARKS
C-6000-001	3/4"	CP-WIL-SHCB	CP-SH-FILL	4#14, #14GND	
C-6000-002	3/4"	CP-SH-FILL	LSHH-6000	4#14, #14GND	
C-6000-003	3/4"	CP-WIL-SHCB	VAL-6000	14#14, #14GND	
C-6000-004	3/4"	CP-WIL-SHCB	PMP-6001	10#14, #14GND	
C-6000-005	3/4"	CP-WIL-SHCB	PSH-6001	4#14, #14GND	
C-6000-006	3/4"	VCP-HYPO-DIL1	VAL-6003	6#14, #14GND	
C-6000-007	3/4"	CP-WIL-SHCB	PMP-6017	10#14, #14GND	
C-6000-008	3/4"	CP-WIL-SHCB	PSH-6017	4#14, #14GND	
C-6000-009	3/4"	CP-WIL-SHCB	PMP-6021	10#14, #14GND	
C-6000-010	3/4"	CP-WIL-SHCB	PSH-6021	4#14, #14GND	
C-6000-011	3/4"	CP-WIL-SHCB	PMP-6022	10#14, #14GND	
C-6000-012	3/4"	CP-WIL-SHCB	PSH-6022	4#14, #14GND	
C-6000-013	3/4"	CP-WIL-SHCB	PMP-6023	10#14, #14GND	
C-6000-014	3/4"	CP-WIL-SHCB	PSH-6023	4#14, #14GND	
C-6000-015	3/4"	CP-WIL-SHCB	PMP-6024	10#14, #14GND	
C-6000-016	3/4"	CP-WIL-SHCB	PSH-6024	4#14, #14GND	
C-6000-017	3/4"	CP-WIL-SHCB	PMP-6025	10#14, #14GND	
C-6000-018	3/4"	CP-WIL-SHCB	PSH-6025	4#14, #14GND	
C-6000-019	3/4"	CP-WIL-SHCB	PMP-6026	10#14, #14GND	
C-6000-020	3/4"	CP-WIL-SHCB	PSH-6026	4#14, #14GND	
C-6000-021	3/4"	CP-WIL-SHCB	VAL-3022	14#14, #14GND	
C-6000-022	3/4"	CP-WIL-SHCB	VAL-3023	14#14, #14GND	
C-6000-023	3/4"	CP-WIL-SHCB	CPB-FT-1	44#14, #14GND	VIA EXISTING 2" TO FLUORIDE
C-6000-024	3/4"	CPB-FT-1	FSH-6200	4#14, #14GND	
C-6000-025	3/4"	CPB-FT-1	CP-F-FILL	6#14, #14GND	
C-6000-026	3/4"	CP-F-FILL	LSHH-6201	4#14, #14GND	
C-6000-027	1"	FPP-WIL-SHCB	FPP-WIL-CLDX	FO CABLE	
C-6000-028	1"	FPP-WIL-CLDX	FPP-WIL-BCB	FO CABLE	
C-6000-029	3/4"	CPB-FT-1	HT-FT-1	4#14, #14GND	
C-6000-030	3/4"	FLOURIDE #1 PUMP CONTROL	PSH-6201	4#14, #14GND	
C-6000-031	3/4"	CPB-FT-1	LCP-FTP-2	14#14, #14GND	
C-6000-032	3/4"	CP-FTP-2	PMP-6202	4#14, #14GND	
C-6000-033	3/4"	CP-FTP-2	PSH-6202	4#14, #14GND	
C-6000-034	3/4"	CPB-FT-1	FSH-6203	4#14, #14GND	
C-6000-035	3/4"	CPB-FT-1	FSH-6204	4#14, #14GND	
C-6000-036	3/4"	CPB-FT-1	JB-LSH-6203	4#14, #14GND	
C-6000-037	3/4"	CPB-FT-1	JB-LSH-6204	4#14, #14GND	
C-6000-038	1"	FPP-WIL-CLDX	FPP-WIL-BCB	EMPTY W/PULLSTRING	
C-6000-039	-	-	-	NOT USED	

GMP SUBMITTAL. DO NOT USE FOR CONSTRUCTION.

REV	ISSUED FOR	DATE	BY

PROJECT MANAGER:	T. HUDSON
DESIGNED BY:	S. CHAVEZ
DRAWN BY:	S. CHAVEZ
PROJECT ENGINEER:	B. BUELTEL
IF THIS BAR DOES NOT MEASURE 1" THEN DRAWING IS NOT TO FULL SCALE	0 1/2" 1"



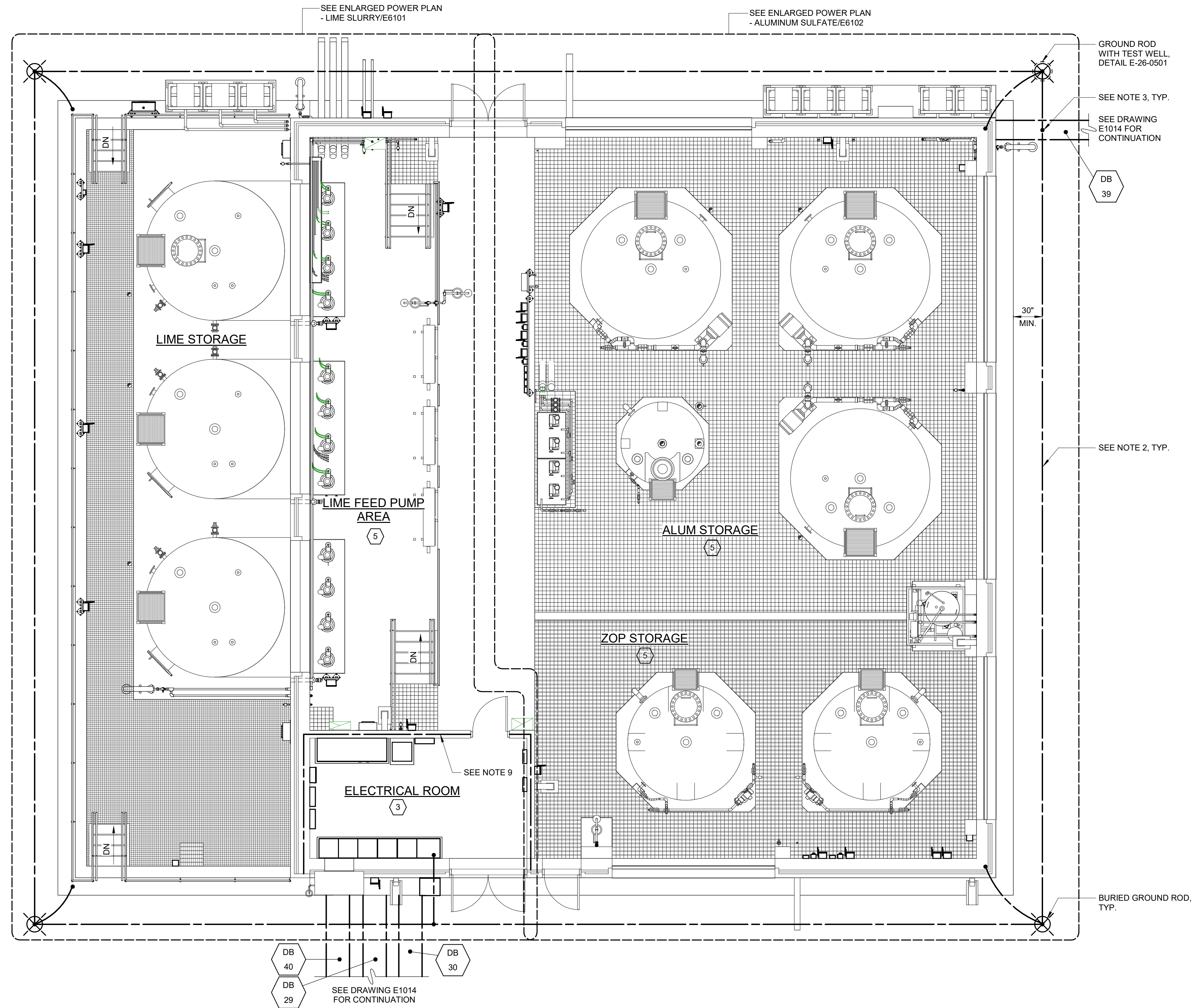
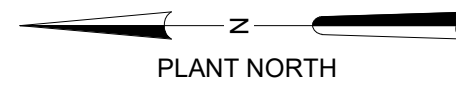
CENTRAL ARKANSAS WATER
LITTLE ROCK, ARKANSAS

JACK H. WILSON WTP RENEWAL AND
RESILIENCY PROJECT

SODIUM HYPOCHLORITE CHEMICAL BUILDING
ELECTRICAL
CONDUIT AND WIRE SCHEDULE

DATE:	NOVEMBER 2024
HAZEN NO.:	60711-003
CONTRACT NO.:	1
DRAWING NUMBER:	E6012

File: C:\USERS\NANNELSON\Documents\HAZEN AND SAWYER\60711-003_WILSON_WTP_REHAB_FILTER_BASIN\PROJECT FILES\00_ELECTRICAL\E6012 Saved by NANNELSON Save date: 11/15/2024 1:41 PM
PLOT DATE: 11/18/2024 1:48 PM BY: NANNELSON



- NOTES:**
- REFER TO N.E.C. ARTICLE 250.52(A)(3) FOR BONDING OF GROUND RING TO STRUCTURAL FOUNDATION REBAR.
 - GROUND RING CONDUCTOR SHALL BE #4/0 BARE COPPER WIRE 30" MINIMUM BELOW FINISHED GRADE. ALL GROUND CONDUCTORS TO EQUIPMENT OR STRUCTURAL STEEL SHALL BE BARE COPPER WIRE.
 - EACH DUCT BANK GROUND CONDUCTOR CROSSING THE GROUND RING SHALL BE EXOTHERMICALLY WELDED TO THE GROUND RING CONDUCTOR.
 - ALL TRANSFORMERS, MOTOR CONTROL CENTERS, SWITCHBOARDS, SWITCHGEAR, AND PANELBOARDS SHALL BE BONDED TO THE GROUND RING CONDUCTOR.
 - FURNISH AND INSTALL LIGHTNING PROTECTION SYSTEM FOR THIS FACILITY PER SPECIFICATION 26 41 00.
 - FURNISH AND INSTALL 1" CONDUITS THROUGH CONCRETE PAD FOR LIGHTNING PROTECTION DOWN CONDUCTORS TO GROUND RING. ALL DOWN CONDUCTORS SHALL BE ROUTED DOWN INSIDE OF BUILDING.
 - COORDINATE GROUND SYSTEM INSTALLATION WITH INSTALLATION OF THE LIGHTNING PROTECTION SYSTEM.
 - THE ENTIRETY OF THE INSIDE OF THE BULK CHEMICAL BUILDING (EXCEPT FOR THE ELECTRICAL ROOM) SHALL BE PROVIDED WITH A FIRE ALARM SYSTEM. THE FIRE ALARM SYSTEM SHALL BE DESIGNED AND INSTALLED TO MEET THE PERFORMANCE REQUIREMENTS OF SPECIFICATION SECTION 18 46 20.
 - DESIGNATED WALLS SHALL HAVE 1 HOUR FIRE RATED WALLS AND CAP.

- AREA DESIGNATION:**
- 1 INDOOR WET PROCESS AREA
 - 2 INDOOR DRY PROCESS AREA
 - 3 INDOOR DRY NON-PROCESS AREA
 - 4 TYPE 1 CHEMICAL STORAGE/TRANSFER AREA
 - 5 TYPE 2 CHEMICAL STORAGE/TRANSFER AREA

OVERALL GROUNDING PLAN
3/16" = 1'-0"

GMP SUBMITTAL. DO NOT USE FOR CONSTRUCTION.

Autodesk_Docs\60711-001_Wilson_WTP_Rehab_File_Base\60711-003-6100-BCB-ELEC.rvt 11/19/2024 10:18:16 AM

PROJECT MANAGER:	T. HUDSON		
DESIGNED BY:	S. CHAVEZ		
DRAWN BY:	S. CHAVEZ		
PROJECT ENGINEER:	B. BUELTEL		
IF THIS BAR DOES NOT MEASURE 1" THEN DRAWING IS NOT TO FULL SCALE	0 1/2" 1"		
REV	ISSUED FOR	DATE	BY



Hazen
HAZEN AND SAWYER
8150 N. CENTRAL EXPRESSWAY
TOWER II - SUITE 700
DALLAS, TEXAS 75206

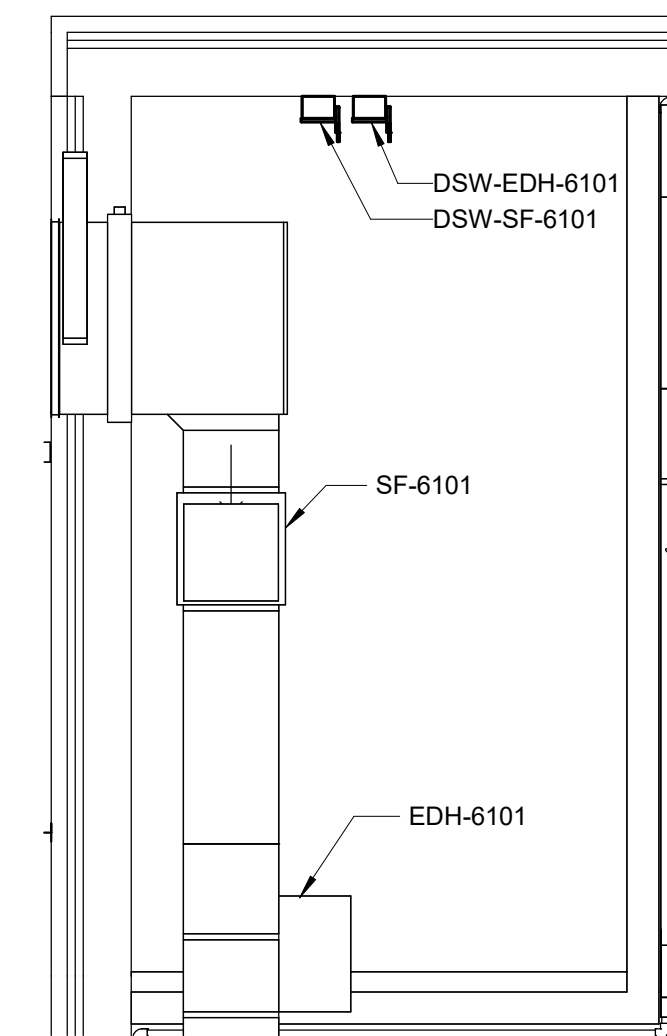
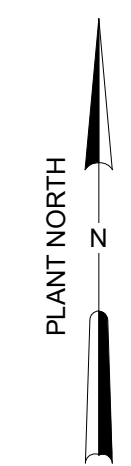
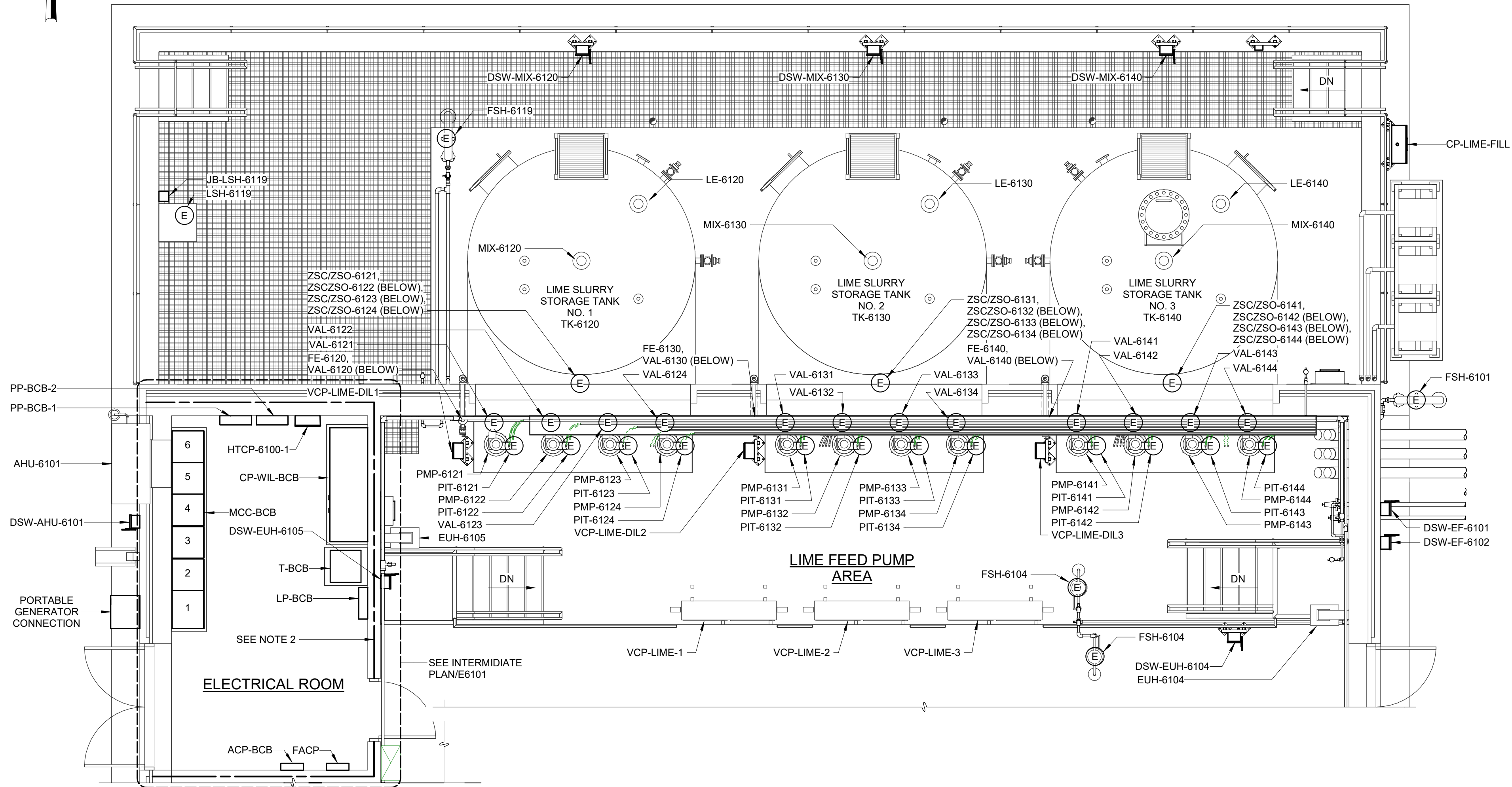
CENTRAL ARKANSAS WATER
LITTLE ROCK, ARKANSAS

JACK H. WILSON WTP RENEWAL
AND RESILIENCY PROJECT

BULK CHEMICAL BUILDING
ELECTRICAL
OVERALL GROUNDING PLAN

DATE:	NOVEMBER 2024
HAZEN NO.:	60711-003
CONTRACT NO.:	1
DRAWING NUMBER:	E6100

- NOTES:
1. PLAN DRAWINGS INDICATE APPROXIMATE EQUIPMENT LOCATIONS. COORDINATE EXACT LOCATION WITH FIELD REQUIREMENTS AND OTHER DISCIPLINES.
 2. DESIGNATED WALLS SHALL HAVE 1 HOUR FIRE RATED WALLS AND CAP.



INTERMEDIATE PLAN
1/4" = 1'-0"

ENLARGED POWER PLAN - LIME SLURRY
1/4" = 1'-0"

GMP SUBMITTAL. DO NOT USE FOR CONSTRUCTION.

Autodesk/Doc/60711-001_Wilson_WTP_Renewal_Elec_Basemap/60711-001-6100-BCB-ELEC.rvt 11/19/2024 10:18:17 AM

REV	ISSUED FOR	DATE	BY

PROJECT MANAGER:	T. HUDSON
DESIGNED BY:	S. CHAVEZ
DRAWN BY:	S. CHAVEZ
PROJECT ENGINEER:	B. BUELTEL
IF THIS BAR DOES NOT MEASURE 1" THEN DRAWING IS NOT TO FULL SCALE	0 1/2" 1"



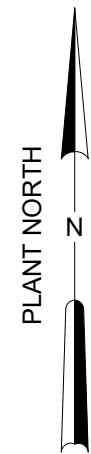
Hazen
HAZEN AND SAWYER
8150 N. CENTRAL EXPRESSWAY
TOWER II - SUITE 700
DALLAS, TEXAS 75206

CENTRAL ARKANSAS WATER
LITTLE ROCK, ARKANSAS

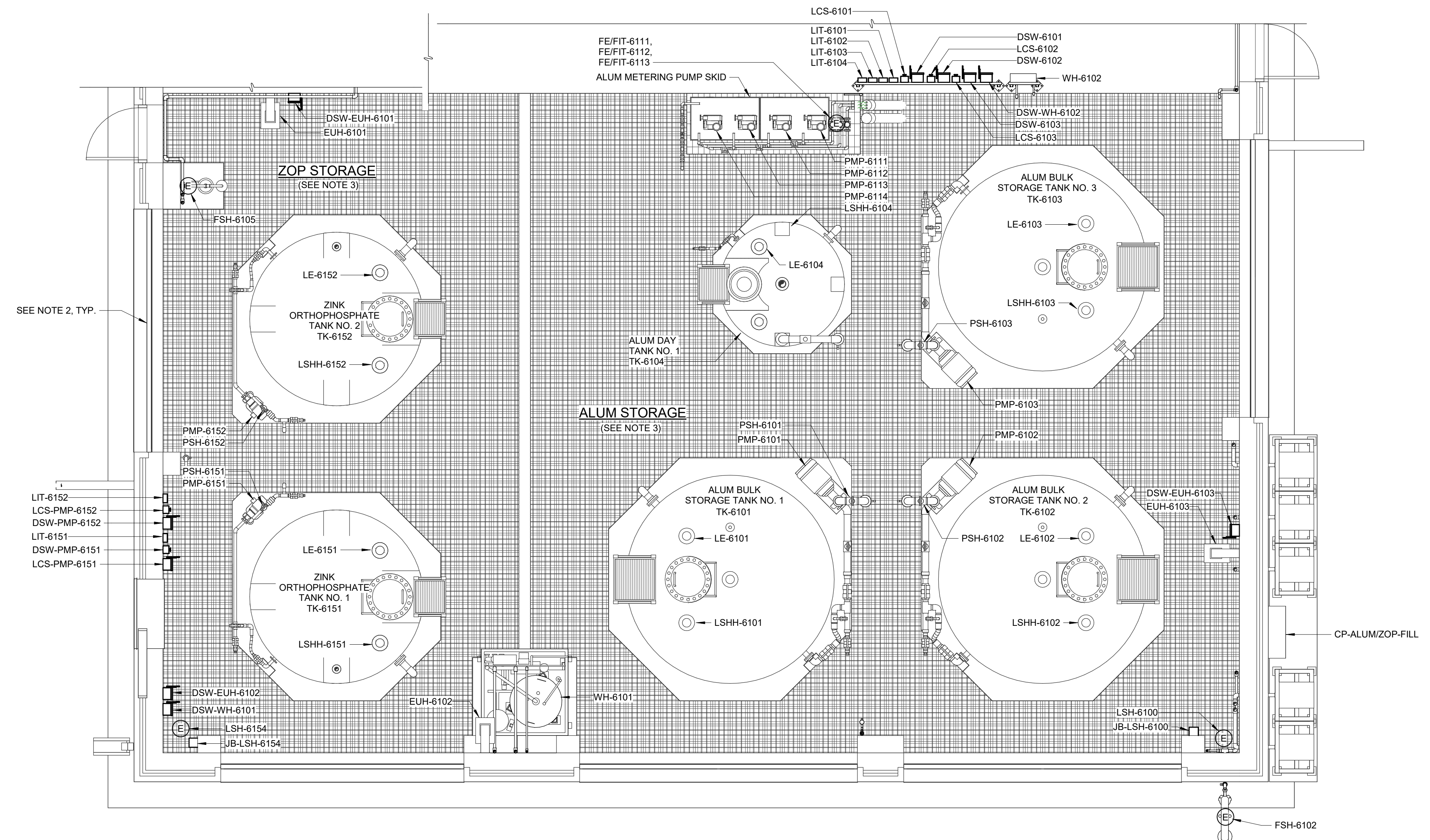
JACK H. WILSON WTP RENEWAL
AND RESILIENCY PROJECT

BULK CHEMICAL BUILDING
ELECTRICAL
ENLARGED POWER PLAN - LIME SLURRY

DATE:	NOVEMBER 2024
HAZEN NO.:	60711-003
CONTRACT NO.:	1
DRAWING NUMBER:	E6101



- NOTES:**
1. PLAN DRAWINGS INDICATE APPROXIMATE EQUIPMENT LOCATIONS. COORDINATE EXACT LOCATION WITH FIELD REQUIREMENTS AND OTHER DISCIPLINES.
 2. SEE ARCH DRAWINGS FOR LOCATION, EXTENTS, AND DIMENSIONS OF EACH REMOVABLE TRANSLUCENT WALL ASSEMBLY. NO ELECTRICAL EQUIPMENT, DEVICES, OR CONDUIT SHALL BE ROUTED ON OR ACROSS THESE WALL ASSEMBLIES.
 3. ALL CONDUITS IN THE ALUM STORAGE AREA AND ZOP STORAGE AREA SHALL BE ROUTE EXPOSE UNDER THE FRP GRATING AND ALONG SUPPORTS. ALL CONDUITS SHALL BE ROUTED ABOVE MAXIMUM LIQUID LEVEL.



ENLARGED PLAN - ALUMINUM SULFATE
1/4" = 1'-0"

GMP SUBMITTAL. DO NOT USE FOR CONSTRUCTION.

Autodesk_Docs\60711-001_Wilson_WTP_Rehab_Elec_Basch\60711-003-6103-BCB-ELEC.rvt 11/20/2024 10:18:59 AM

REV	ISSUED FOR	DATE	BY

PROJECT MANAGER:	T. HUDSON
DESIGNED BY:	S. CHAVEZ
DRAWN BY:	S. CHAVEZ
PROJECT ENGINEER:	B. BUELTEL
IF THIS BAR DOES NOT MEASURE 1" THEN DRAWING IS NOT TO FULL SCALE	0 1/2" 1"



Hazen
HAZEN AND SAWYER
8150 N. CENTRAL EXPRESSWAY
TOWER II - SUITE 700
DALLAS, TEXAS 75206

CENTRAL ARKANSAS WATER
LITTLE ROCK, ARKANSAS

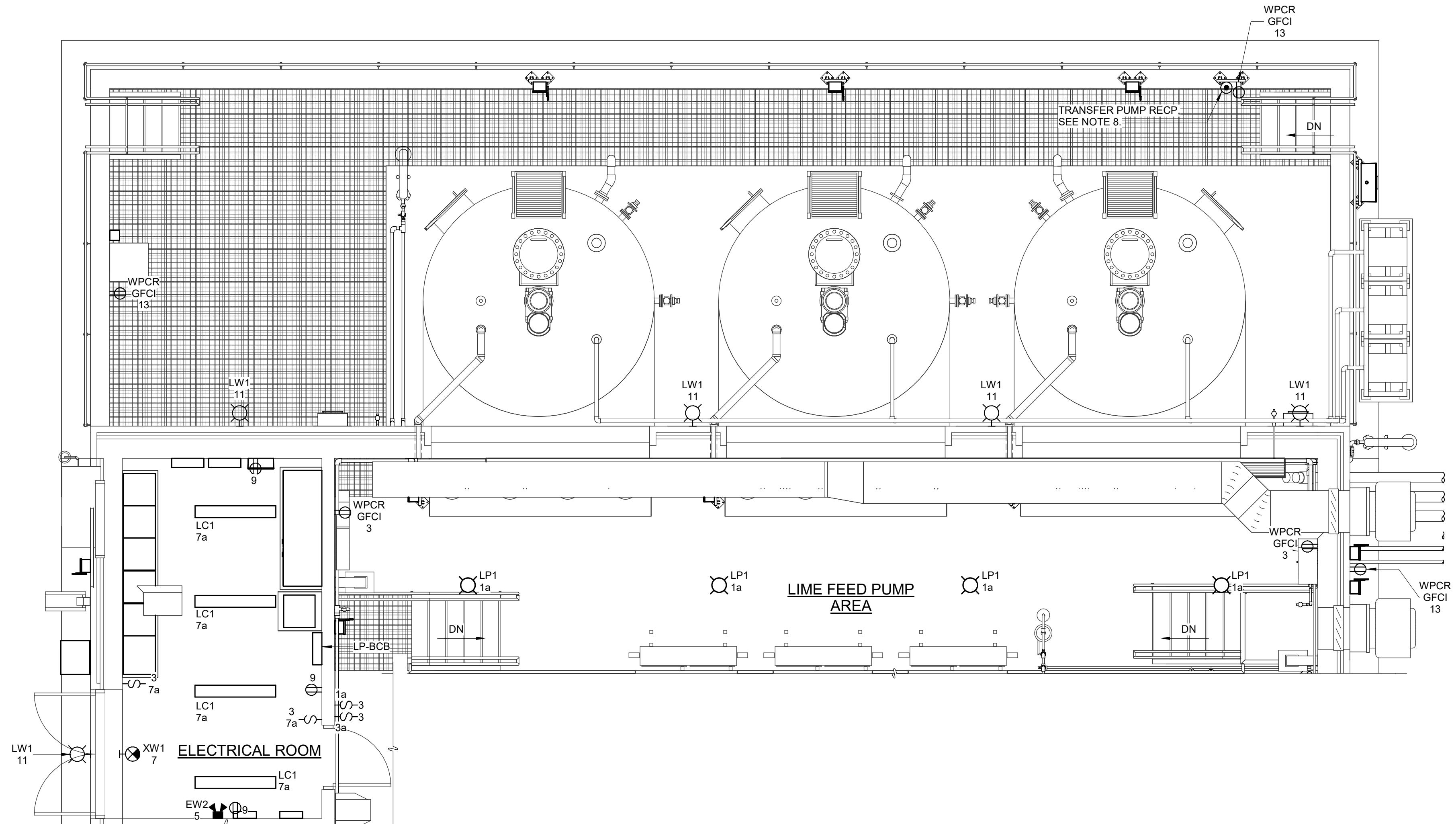
JACK H. WILSON WTP RENEWAL
AND RESILIENCY PROJECT

BULK CHEMICAL BUILDING
ELECTRICAL
ENLARGED POWER PLAN - ALUMINUM SULFATE

DATE:	NOVEMBER 2024
HAZEN NO.:	60711-003
CONTRACT NO.:	1
DRAWING NUMBER:	E6102



- NOTES:**
- LIGHTING PLAN DRAWINGS INDICATE APPROXIMATE EQUIPMENT LOCATIONS. COORDINATE EXACT LOCATION WITH FIELD REQUIREMENTS AND OTHER DISCIPLINES.
 - FIXTURE TYPE 'XW1' SHALL BE MOUNTED 1'-0" ABOVE RESPECTIVE DOOR FRAME.
 - FIXTURE TYPE 'XW2' SHALL BE MOUNTED 1'-0" ABOVE RESPECTIVE DOOR FRAME.
 - WHERE MOUNTED ABOVE A DOOR, FIXTURE TYPE 'LW1' SHALL BE MOUNTED 1'-0" ABOVE RESPECTIVE DOOR FRAME. ALL OTHER INSTANCES SHALL BE MOUNTED 10'-0" AFG.
 - ALL 'EW1' TYPE LIGHT FIXTURES SHALL BE MOUNTED 7' AFF.
 - ALL 'EW2' TYPE LIGHT FIXTURES SHALL BE MOUNTED 7' AFF.
 - ALL 'LP1' TYPE LIGHT FIXTURES SHALL BE PENDANT MOUNTED MOUNTED 27' AFF.
 - 30 AMP, 480V RATING, 3 POLE, 3 WIRE, NEMA 4X ENCLOSURE RECEPTACLE WITH ON OFF SWITCH, AND OVERLOAD PROTECTION. HUBBELL HBL430MIF7W OR EQUAL. MOUNTED AT TOP OF CONTAINMENT WALL PER DETAIL E-26-0402.
 - ALL 'LC1' TYPE LIGHT FIXTURES SHALL BE CEILING MOUNTED.



ENLARGED LIGHTING PLAN - LIME SLURRY
1/4" = 1'-0"

GMP SUBMITTAL. DO NOT USE FOR CONSTRUCTION.

Autodesk Docs/60711-001_Wilson_WTP_Renab_Flt_Basf/60711-003-6103-BCB-ELEC.rvt 11/19/2024 10:18:20 AM

REV	ISSUED FOR	DATE	BY

PROJECT MANAGER:	T. HUDSON
DESIGNED BY:	S. CHAVEZ
DRAWN BY:	S. CHAVEZ
PROJECT ENGINEER:	B. BUELTEL
IF THIS BAR DOES NOT MEASURE 1" THEN DRAWING IS NOT TO FULL SCALE	



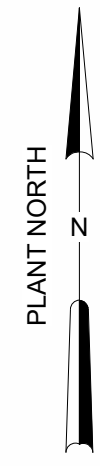
Hazen
HAZEN AND SAWYER
8150 N. CENTRAL EXPRESSWAY
TOWER II - SUITE 700
DALLAS, TEXAS 75206

CENTRAL ARKANSAS WATER
LITTLE ROCK, ARKANSAS

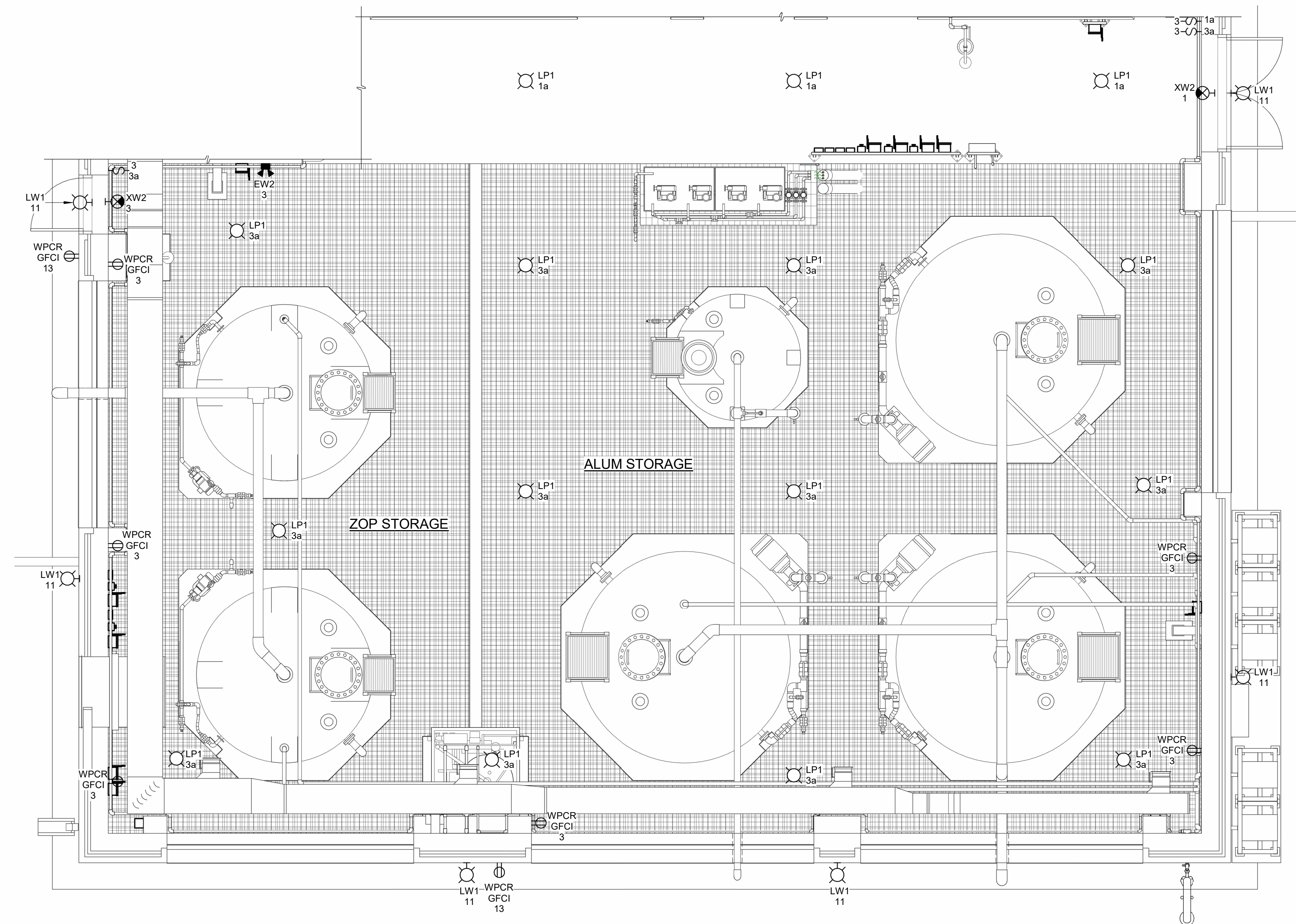
JACK H. WILSON WTP RENEWAL
AND RESILIENCY PROJECT

BULK CHEMICAL BUILDING
ELECTRICAL
ENLARGED LIGHTING PLAN - LIME SLURRY

DATE:	NOVEMBER 2024
HAZEN NO.:	60711-003
CONTRACT NO.:	1
DRAWING NUMBER:	E6103



- NOTES:**
1. LIGHTING PLAN DRAWINGS INDICATE APPROXIMATE EQUIPMENT LOCATIONS. COORDINATE EXACT LOCATION WITH FIELD REQUIREMENTS AND OTHER DISCIPLINES.
 2. FIXTURE TYPE 'XW1' SHALL BE MOUNTED 1'-0" ABOVE RESPECTIVE DOOR FRAME.
 3. FIXTURE TYPE 'XW2' SHALL BE MOUNTED 1'-0" ABOVE RESPECTIVE DOOR FRAME.
 4. ALL 'LW1' TYPE LIGHT FIXTURES SHALL BE MOUNTED 11' AFF.
 5. ALL 'EW1' TYPE LIGHT FIXTURES SHALL BE MOUNTED 7' AFF.
 6. ALL 'EW2' TYPE LIGHT FIXTURES SHALL BE MOUNTED 7' AFF.
 7. ALL 'LP1' TYPE LIGHT FIXTURES SHALL BE PENDANT MOUNTED MOUNTED 27' AFF.



ENLARGED LIGHTING PLAN - ALUMINUM SULFATE
1/4" = 1'-0"

GMP SUBMITTAL. DO NOT USE FOR CONSTRUCTION.

Autodesk_Docs\60711-001_Wilson_WTP_Rehab_Fltm_Base\60711-003-6103-BCB-ELEC.rvt 11/19/2024 10:18:39 AM

PROJECT MANAGER:	T. HUDSON
DESIGNED BY:	S. CHAVEZ
DRAWN BY:	S. CHAVEZ
PROJECT ENGINEER:	B. BUELTEL
IF THIS BAR DOES NOT MEASURE 1" THEN DRAWING IS NOT TO FULL SCALE	0 1/2" 1"
REV	ISSUED FOR
	DATE
	BY



Hazen
HAZEN AND SAWYER
8150 N. CENTRAL EXPRESSWAY
TOWER II - SUITE 700
DALLAS, TEXAS 75206

CENTRAL ARKANSAS WATER
LITTLE ROCK, ARKANSAS

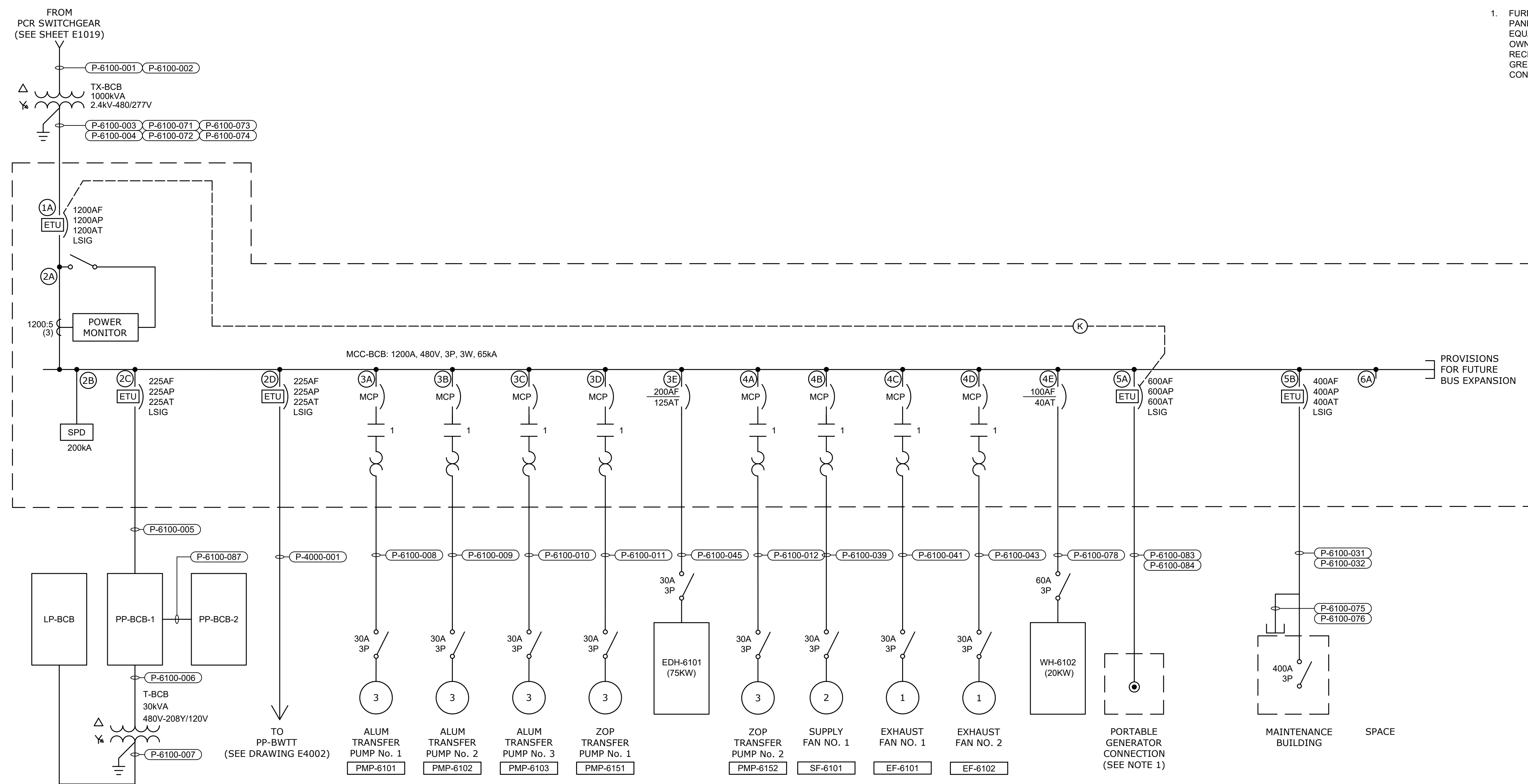
JACK H. WILSON WTP RENEWAL
AND RESILIENCY PROJECT

BULK CHEMICAL BUILDING
ELECTRICAL
ENLARGED LIGHTING PLAN - ALUMINUM SULFATE

DATE:	NOVEMBER 2024
HAZEN NO.:	60711-003
CONTRACT NO.:	1
DRAWING NUMBER:	E6104

NOTES:

- FURNISH AND INSTALL POSI-MAX POWER DISTRIBUTION PANEL, CATALOG NUMBER PM1C0600N3RSS, OR APPROVED EQUAL. PROVIDE CAM LOCK RECEPTACLES COMPATIBLE WITH OWNER'S PORTABLE GENERATOR SET CABLES. RECEPTACLES SHALL BE YELLOW - ORANGE - BROWN - GRAY - GREEN IN COLOR TO MATCH OWNER'S EXISTING GENERATOR CONNECTION COLOR CONVENTION.



MCC-BCB
SINGLE-LINE DIAGRAM

SECTION 1	SECTION 2	SECTION 3	SECTION 4	SECTION 5	SECTION 6
	2A	3A	4A	5A	
	2B	3B	4B		6A
1A	2C	3C	4C	5B	
	2D	3D	4D		
		3E	4E		

MCC-BCB ELEVATION
N.T.S.

GMP SUBMITTAL. DO NOT USE FOR CONSTRUCTION.

File: C:\USERS\NINELSON\ACCC\Hazen\WTP_REHAB_FILTER_BASIN\PROJECT FILES\900_ELECTRICAL\E6105 Saved by NINELSON Save date: 11/18/2024 9:22 AM
PLOT DATE: 11/19/2024 1:48 PM BY: NINELSON

REV	ISSUED FOR	DATE	BY

PROJECT MANAGER:	T. HUDSON
DESIGNED BY:	S. CHAVEZ
DRAWN BY:	S. CHAVEZ
PROJECT ENGINEER:	B. BUELTEL
IF THIS BAR DOES NOT MEASURE 1" THEN DRAWING IS NOT TO FULL SCALE	
0 1/2" 1"	



Hazen
HAZEN AND SAWYER
8150 N. CENTRAL EXPRESSWAY
TOWER II - SUITE 700
DALLAS, TEXAS 75206

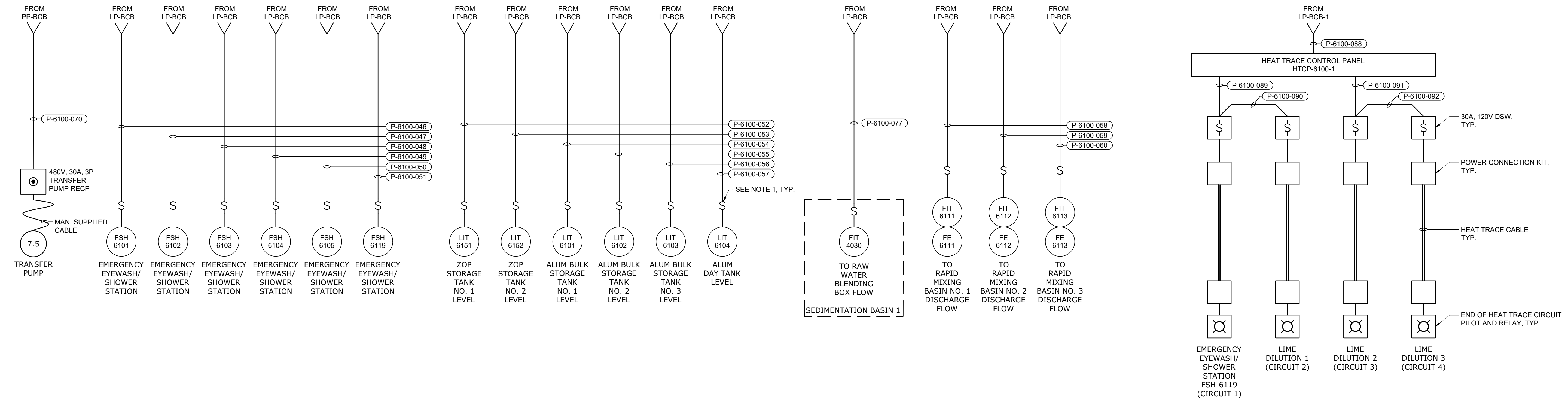
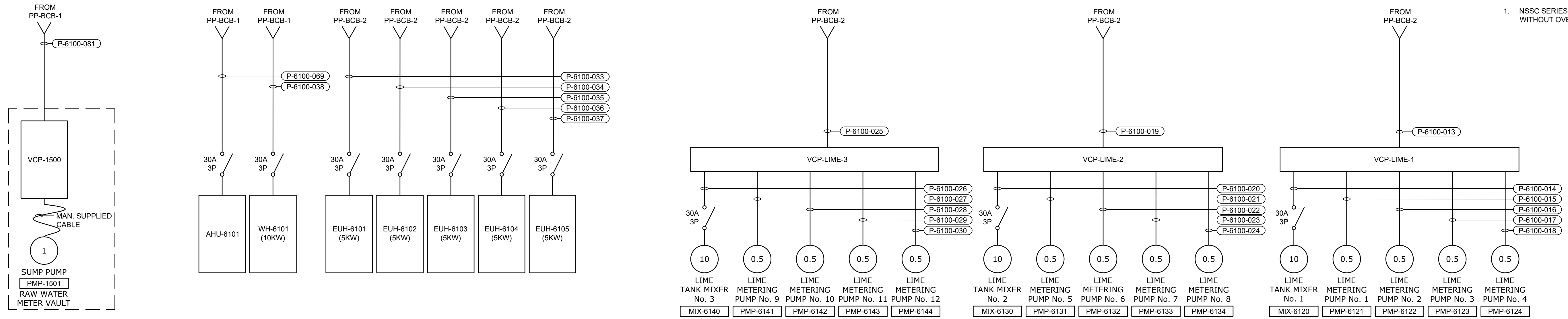
CENTRAL ARKANSAS WATER
LITTLE ROCK, ARKANSAS

JACK H. WILSON WTP RENEWAL AND
RESILIENCY PROJECT

BULK CHEMICAL BUILDING
ELECTRICAL
MCC-BCB SINGLE-LINE DIAGRAM AND
ELEVATION

DATE:	NOVEMBER 2024
HAZEN NO.:	60711-003
CONTRACT NO.:	1
DRAWING NUMBER:	E6105

NOTES:
1. NSSC SERIES MANUAL MOTOR STARTING SWITCH WITHOUT OVERLOAD PROTECTION.



BULK CHEMICAL BUILDING
RISER DIAGRAMS

GMP SUBMITTAL. DO NOT USE FOR CONSTRUCTION.

File: C:\USERS\NINELSON\ACCD\Hazen\WTP_REHAB_FILTER_BASINPROJECT\FILES\900_ELECTRICAL\ER107 Saved by SCHAVEZ Save date: 11/14/2024 4:11 PM
PLOT DATE: 11/19/2024 1:48 PM BY: NINELSON

REV	ISSUED FOR	DATE	BY

PROJECT MANAGER:	T. HUDSON
DESIGNED BY:	N. NELSON
DRAWN BY:	N. NELSON
PROJECT ENGINEER:	B. BUELTEL
IF THIS BAR DOES NOT MEASURE 1" THEN DRAWING IS NOT TO FULL SCALE	

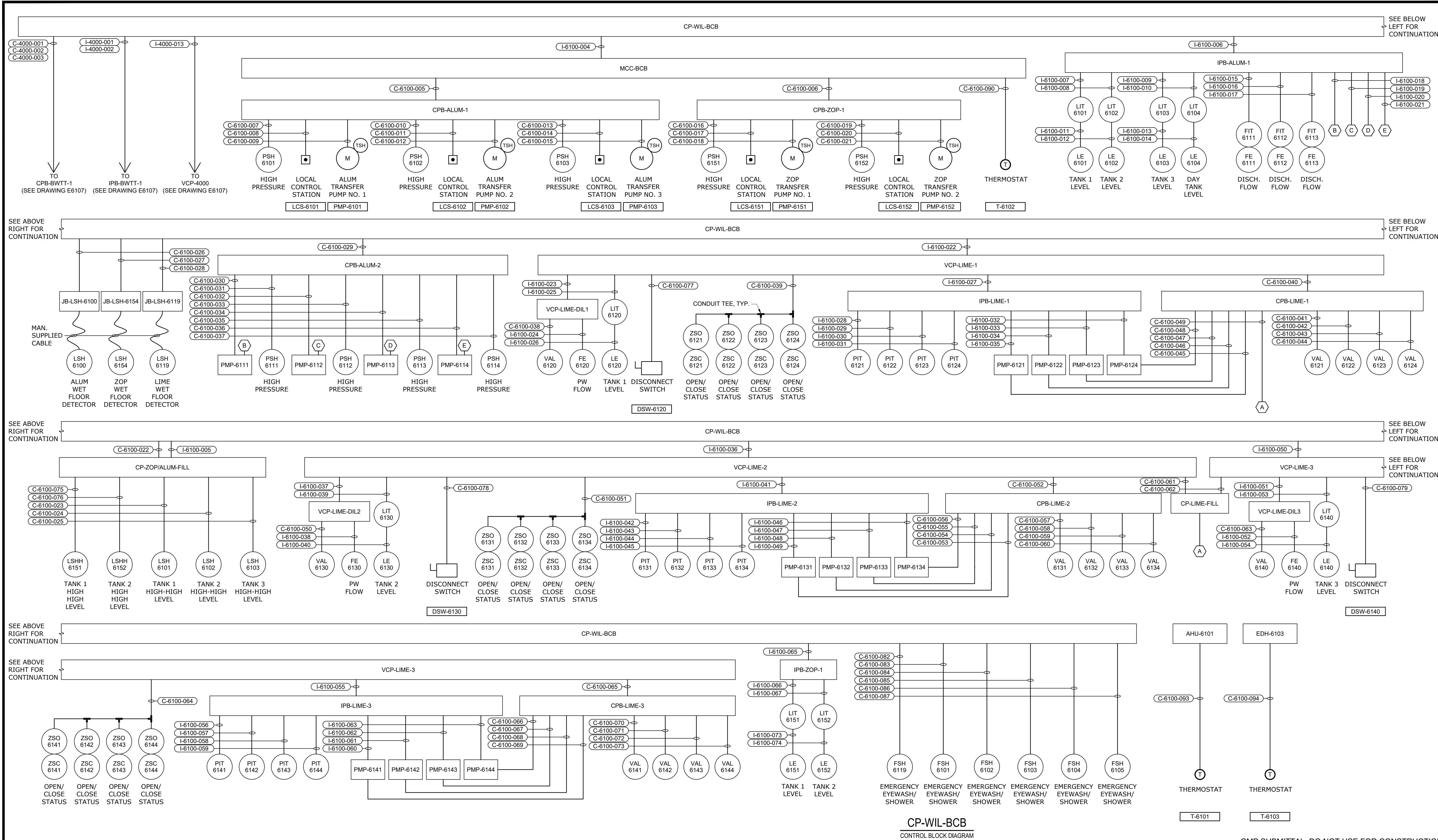


CENTRAL ARKANSAS WATER
LITTLE ROCK, ARKANSAS

JACK H. WILSON WTP RENEWAL AND
RESILIENCY PROJECT

BULK CHEMICAL BUILDING
ELECTRICAL
RISER DIAGRAMS

DATE:	NOVEMBER 2024
HAZEN NO.:	60711-003
CONTRACT NO.:	1
DRAWING NUMBER:	E6107



CP-WIL-BCB
CONTROL BLOCK DIAGRAM

GMP SUBMITTAL. DO NOT USE FOR CONSTRUCTION.

File: C:\USERS\NELSON\ACCD\SHAZEN AND SAWYER\60711-01_WILSON_WTP_REHAB_FILTER_BASINPROJECT FILES\00_ELECTRICAL\E6108 Saved by SCHAVEZ Save date: 11/14/2024 4:11 PM
 PLOT DATE: 11/19/2024 1:48 PM BY: NINELSON

REV	ISSUED FOR	DATE	BY

PROJECT MANAGER:	T. HUDSON
DESIGNED BY:	N. NELSON
DRAWN BY:	N. NELSON
PROJECT ENGINEER:	B. BUELTEL
IF THIS BAR DOES NOT MEASURE 1" THEN DRAWING IS NOT TO FULL SCALE	



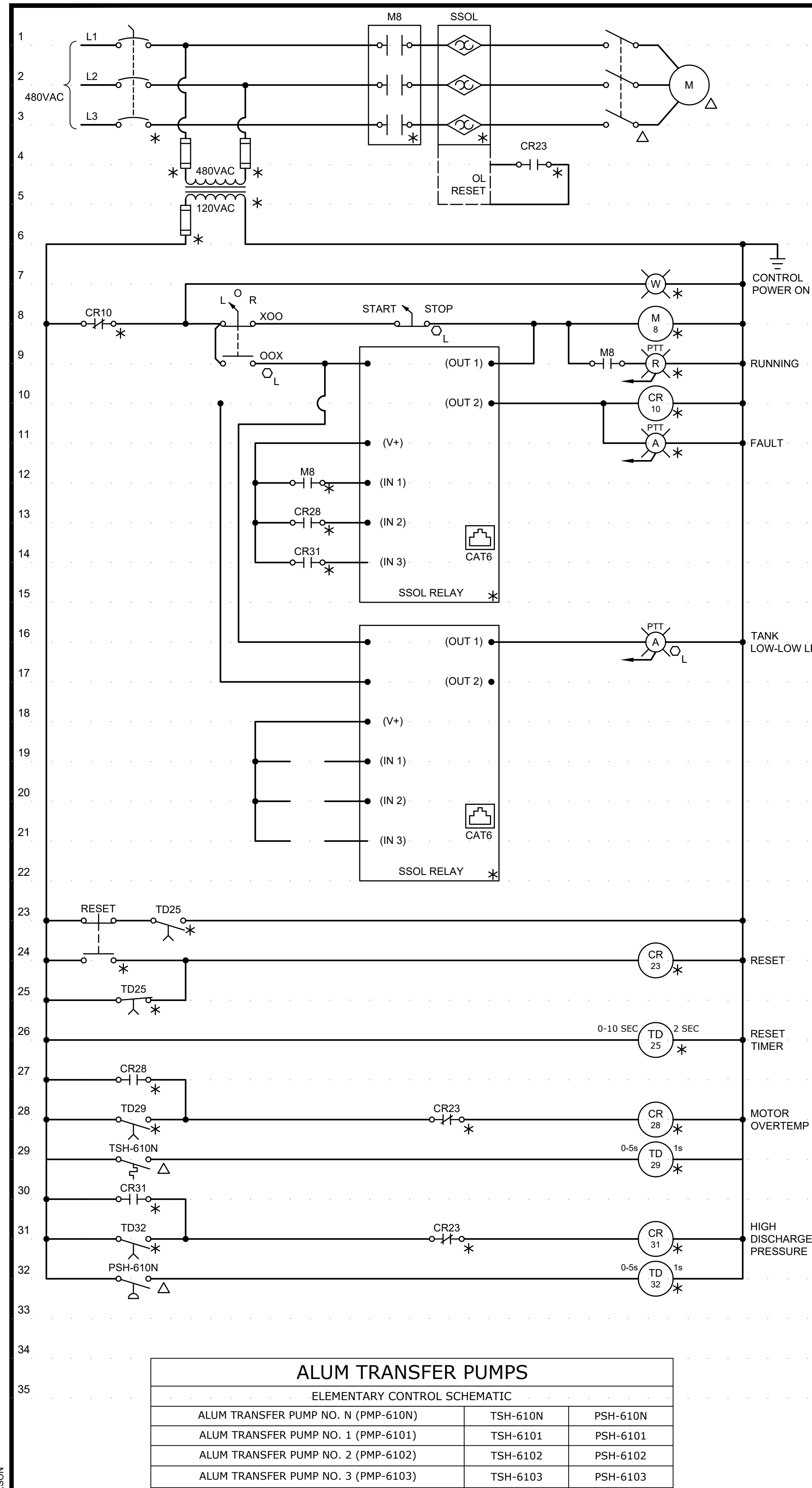
Hazen
 HAZEN AND SAWYER
 8150 N. CENTRAL EXPRESSWAY
 TOWER II - SUITE 700
 DALLAS, TEXAS 75206

CENTRAL ARKANSAS WATER
 LITTLE ROCK, ARKANSAS
 JACK H. WILSON WTP RENEWAL AND
 RESILIENCY PROJECT

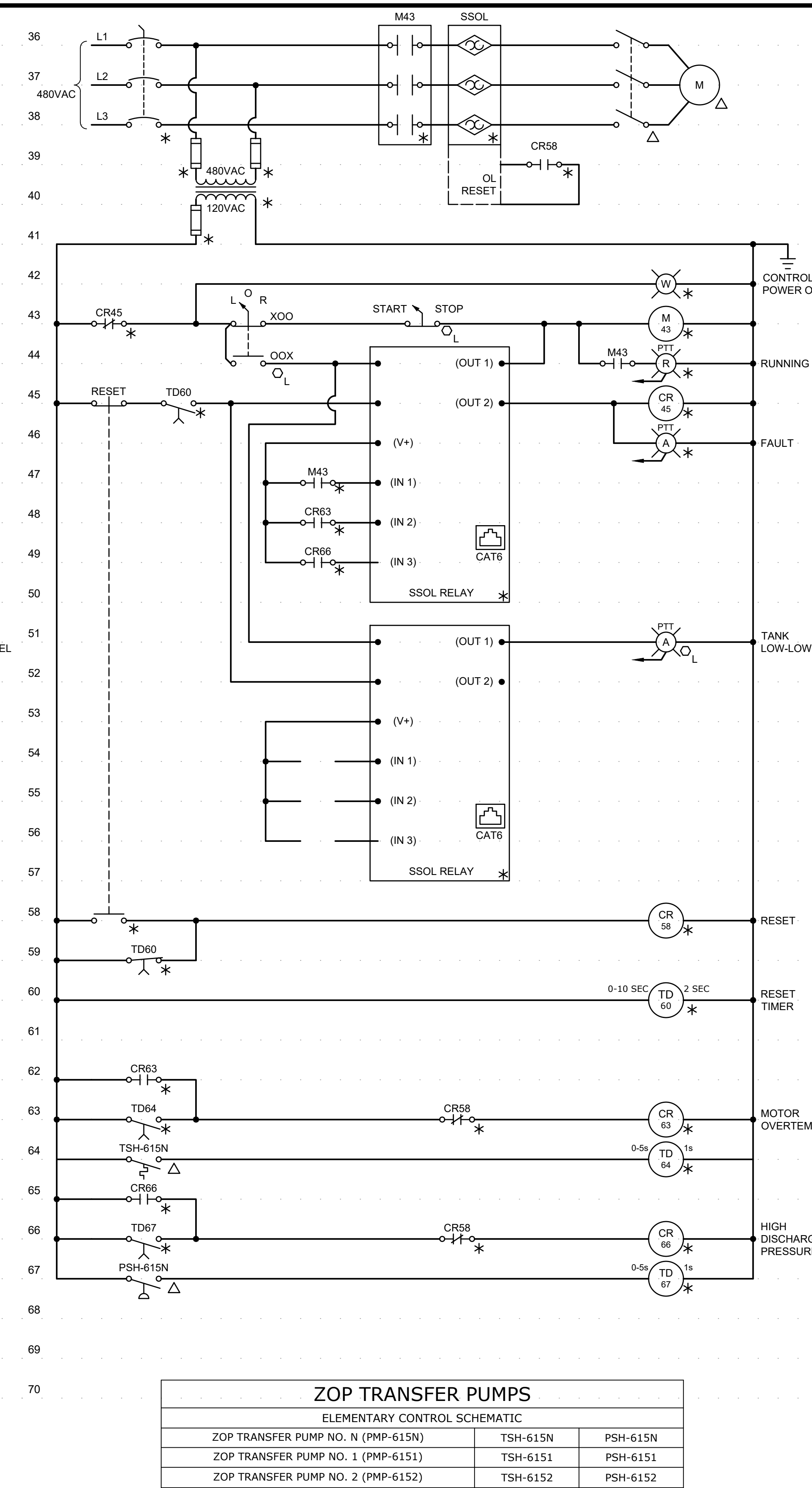
BULK CHEMICAL BUILDING
 ELECTRICAL
 CONTROL BLOCK DIAGRAM

DATE:	NOVEMBER 2024
HAZEN NO.:	60711-003
CONTRACT NO.:	1
DRAWING NUMBER:	E6108

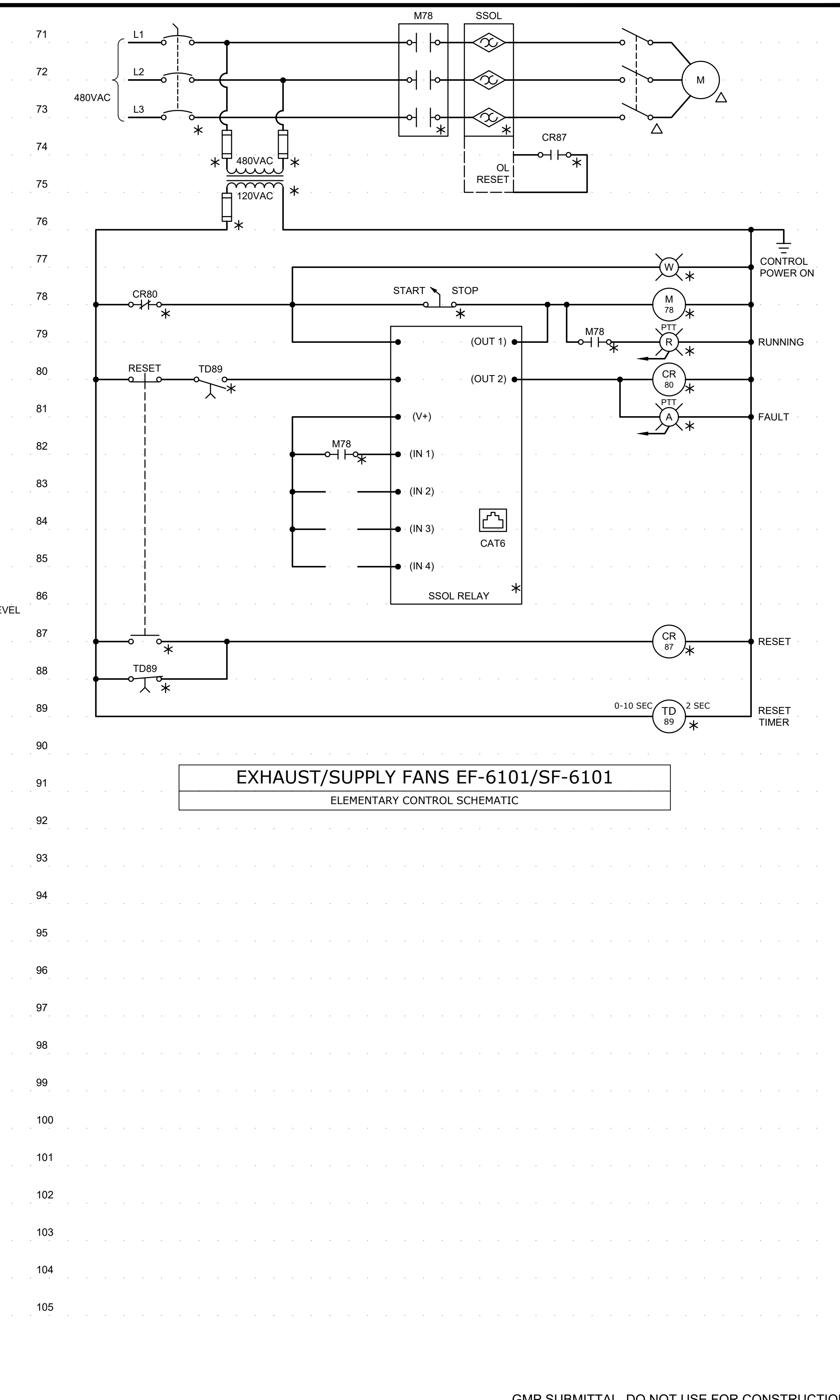
File: C:\USERS\NINELSON\ACCD\CHAZEN AND SAWYER\60711-001_WILSON_WTP_REHAB_FILTER_BASIN\PROJECT FILES\900_ELECTRICAL\ER09 Saved by SCHAVEZ Save date: 11/14/2024 4:11 PM
 PLOT DATE: 11/19/2024 1:49 PM BY: NINELSON



ALUM TRANSFER PUMPS		
ELEMENTARY CONTROL SCHEMATIC		
ALUM TRANSFER PUMP NO. N (PMP-610N)	TSH-610N	PSH-610N
ALUM TRANSFER PUMP NO. 1 (PMP-6101)	TSH-6101	PSH-6101
ALUM TRANSFER PUMP NO. 2 (PMP-6102)	TSH-6102	PSH-6102
ALUM TRANSFER PUMP NO. 3 (PMP-6103)	TSH-6103	PSH-6103



ZOP TRANSFER PUMPS		
ELEMENTARY CONTROL SCHEMATIC		
ZOP TRANSFER PUMP NO. N (PMP-615N)	TSH-615N	PSH-615N
ZOP TRANSFER PUMP NO. 1 (PMP-6151)	TSH-6151	PSH-6151
ZOP TRANSFER PUMP NO. 2 (PMP-6152)	TSH-6152	PSH-6152



EXHAUST/SUPPLY FANS EF-6101/SF-6101
ELEMENTARY CONTROL SCHEMATIC

GMP SUBMITTAL. DO NOT USE FOR CONSTRUCTION.

REV	ISSUED FOR	DATE	BY

PROJECT MANAGER:	T. HUDSON
DESIGNED BY:	S. CHAVEZ
DRAWN BY:	S. CHAVEZ
PROJECT ENGINEER:	B. BUELTEL
IF THIS BAR DOES NOT MEASURE 1" THEN DRAWING IS NOT TO FULL SCALE	
0	1/2" 1"



Hazen
HAZEN AND SAWYER
8150 N. CENTRAL EXPRESSWAY
TOWER II - SUITE 700
DALLAS, TEXAS 75206

CENTRAL ARKANSAS WATER
LITTLE ROCK, ARKANSAS
JACK H. WILSON WTP RENEWAL AND
RESILIENCY PROJECT

BULK CHEMICAL BUILDING
ELECTRICAL
ELEMENTARY CONTROL SCHEMATICS I

DATE:	NOVEMBER 2024
HAZEN NO.:	60711-003
CONTRACT NO.:	1
DRAWING NUMBER:	E6109

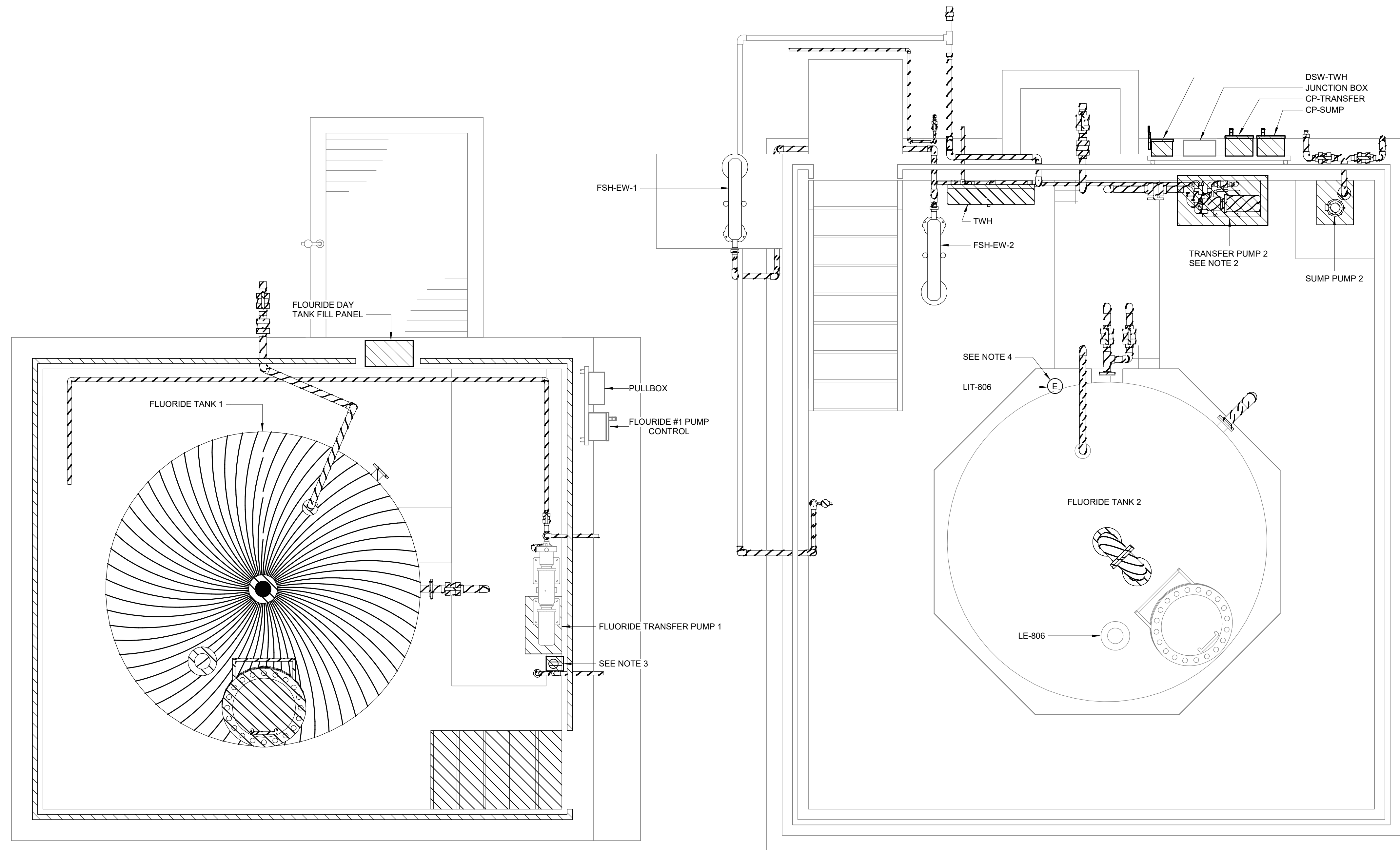
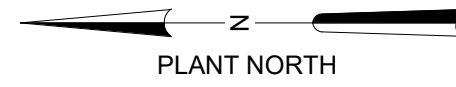
File: C:\USERS\NINELSON\ACCDC\SHAZEN AND SAWYER\60711-001_WILSON_WTP_REHAB_FILTER_BASINPROJECT FILES\00_ELECTRICAL\E111 Saved by SCHAVEZ Save date: 11/18/2024 12:38 PM
PLOT DATE: 11/19/2024 1:49 PM BY: NINELSON

CONDUIT NO.	SIZE	FROM	TO	CONDUCTORS	REMARKS
P-6100-001	4"	PCR SWITCHGEAR	TX-BCB	3#350Kcmil, #4GND	5KV RATED CABLE
P-6100-002	4"	PCR SWITCHGEAR	TX-BCB	EMPTY W/ PULLSTRING	SPARE
P-6100-003	4"	TX-BCB	MCC-BCB	3#350Kcmil, #4/0GND	
P-6100-004	4"	TX-BCB	MCC-BCB	3#350Kcmil, #4/0GND	
P-6100-005	2"	MCC-BCB	PP-BCB	3#4/0, #4GND	
P-6100-006	1"	PP-BCB	T-BCB	3#4, #8GND	
P-6100-007	1-1/2"	T-BCB	LP-BCB	4#1, #6GND	
P-6100-008	3/4"	MCC-BCB	PMP-6101	3#12, #12GND	VIA DS
P-6100-009	3/4"	MCC-BCB	PMP-6102	3#12, #12GND	VIA DS
P-6100-010	3/4"	MCC-BCB	PMP-6103	3#12, #12GND	VIA DS
P-6100-011	3/4"	MCC-BCB	PMP-6151	3#12, #12GND	VIA DS
P-6100-012	3/4"	MCC-BCB	PMP-6152	3#12, #12GND	VIA DS
P-6100-013	1"	PP-BCB-2	VCP-LIME-1	3#4, #8GND	
P-6100-014	3/4"	VCP-LIME-1	MIX-6120	MFR. SUPPLIED CABLE	VIA DS
P-6100-015	3/4"	VCP-LIME-1	MFP-6121	MFR. SUPPLIED CABLE	
P-6100-016	3/4"	VCP-LIME-1	MFP-6122	MFR. SUPPLIED CABLE	
P-6100-017	3/4"	VCP-LIME-1	MFP-6123	MFR. SUPPLIED CABLE	
P-6100-018	3/4"	VCP-LIME-1	MFP-6124	MFR. SUPPLIED CABLE	
P-6100-019	1"	PP-BCB-2	VCP-LIME-2	3#4, #8GND	
P-6100-020	3/4"	VCP-LIME-2	MIX-6130	MFR. SUPPLIED CABLE	VIA DS
P-6100-021	3/4"	VCP-LIME-2	PMP-6131	MFR. SUPPLIED CABLE	
P-6100-022	3/4"	VCP-LIME-2	PMP-6132	MFR. SUPPLIED CABLE	
P-6100-023	3/4"	VCP-LIME-2	PMP-6133	MFR. SUPPLIED CABLE	
P-6100-024	3/4"	VCP-LIME-2	PMP-6134	MFR. SUPPLIED CABLE	
P-6100-025	1"	PP-BCB-2	VCP-LIME-3	3#4, #8GND	
P-6100-026	3/4"	VCP-LIME-3	MIX-6140	MFR. SUPPLIED CABLE	VIA DS
P-6100-027	3/4"	VCP-LIME-3	MFP-6141	MFR. SUPPLIED CABLE	
P-6100-028	3/4"	VCP-LIME-3	MFP-6142	MFR. SUPPLIED CABLE	
P-6100-029	3/4"	VCP-LIME-3	MFP-6143	MFR. SUPPLIED CABLE	
P-6100-030	3/4"	VCP-LIME-3	MFP-6144	MFR. SUPPLIED CABLE	
P-6100-031	4"	MCC-BCB	MAINTENANCE BUILDING	3#350Kcmil, #4/0GND	
P-6100-032	4"	MCC-BCB	MAINTENANCE BUILDING	3#350Kcmil, #4/0GND	
P-6100-033	3/4"	PP-BCB-1	EUH-6101	3#12, #12GND	VIA DS
P-6100-034	3/4"	PP-BCB-1	EUH-6102	3#12, #12GND	VIA DS
P-6100-035	3/4"	PP-BCB-1	EUH-6103	3#12, #12GND	VIA DS
P-6100-036	3/4"	PP-BCB-1	EUH-6104	3#12, #12GND	VIA DS
P-6100-037	3/4"	PP-BCB-1	EUH-6105	3#12, #12GND	VIA DS
P-6100-038	3/4"	PP-BCB-1	WH-6101	3#12, #12GND	VIA DS
P-6100-039	3/4"	MCC-BCB	SF-6101	3#12, #12GND	VIA DS
P-6100-040	3/4"	PP-BCB-1	PMP-6111	3#12, #12GND	
P-6100-041	3/4"	MCC-BCB	EF-6101	3#12, #12GND	VIA DS
P-6100-042	3/4"	PP-BCB-1	PMP-6112	3#12, #12GND	
P-6100-043	3/4"	MCC-BCB	EF-6102	3#12, #12GND	VIA DS
P-6100-044	3/4"	PP-BCB-1	PMP-6113	3#12, #12GND	
P-6100-045	1"	MCC-BCB	EDH-6101	3#1/0, #6GND	VIA DS
P-6100-046	3/4"	LP-BCB	FSH-6101	2#12, #12GND	VIA DS
P-6100-047	3/4"	LP-BCB	FSH-6102	2#12, #12GND	VIA DS
P-6100-048	3/4"	LP-BCB	FSH-6103	2#12, #12GND	VIA DS
P-6100-049	3/4"	LP-BCB	FSH-6104	2#12, #12GND	VIA DS
P-6100-050	3/4"	LP-BCB	FSH-6105	2#12, #12GND	VIA DS
P-6100-051	3/4"	LP-BCB	FSH-6119	2#12, #12GND	VIA DS
P-6100-052	3/4"	LP-BCB	LIT-6151	2#12, #12GND	VIA DS
P-6100-053	3/4"	LP-BCB	LIT-5152	2#12, #12GND	VIA DS
P-6100-054	3/4"	LP-BCB	LIT-6101	2#12, #12GND	VIA DS
P-6100-055	3/4"	LP-BCB	LIT-6102	2#12, #12GND	VIA DS
P-6100-056	3/4"	LP-BCB	LIT-6103	2#12, #12GND	VIA DS
P-6100-057	3/4"	LP-BCB	LIT-6104	2#12, #12GND	VIA DS
P-6100-058	3/4"	LP-BCB	FIT/FE-6111	2#12, #12GND	VIA DS
P-6100-059	3/4"	LP-BCB	FIT/FE-6112	2#12, #12GND	VIA DS
P-6100-060	3/4"	LP-BCB	FIT/FE-6113	2#12, #12GND	VIA DS
P-6100-061	3/4"	LP-BCB	VCP-LIME-DIL1	2#12, #12GND	
P-6100-062	3/4"	LP-BCB	VCP-LIME-DIL2	2#12, #12GND	
P-6100-063	3/4"	LP-BCB	VCP-LIME-DIL3	2#12, #12GND	
P-6100-064	3/4"	LP-BCB	CP-LIME-FILL	2#12, #12GND	
P-6100-065	3/4"	LP-BCB	CP-ALUM/ZOP-FILL	2#12, #12GND	
P-6100-066	1"	LP-BCB	VAL-4020	2#12, #12GND	
P-6100-067	3/4"	LP-BCB	RCP-6100	2#12, #12GND	VIA DS
P-6100-068	3/4"	PP-BCB-1	PMP-6114	3#12, #12GND	
P-6100-069	1"	PP-BCB-1	AHU-6101	3#12, #12GND	VIA DS
P-6100-070	3/4"	PP-BCB	TRANSFER PUMP RECEPTACLE	3#12, #12GND	
P-6100-071	4"	TX-BCB	MCC-BCB	3#350Kcmil, #4GND	
P-6100-072	4"	TX-BCB	MCC-BCB	3#350Kcmil, #4GND	
P-6100-073	4"	TX-BCB	MCC-BCB	EMPTY W/ PULLSTRING	SPARE
P-6100-074	4"	TX-BCB	MCC-BCB	EMPTY W/ PULLSTRING	SPARE
P-6100-075	4"	MCC-BCB	MAINTENANCE BUILDING	EMPTY W/ PULLSTRING	SPARE
P-6100-076	4"	MCC-BCB	MAINTENANCE BUILDING	EMPTY W/ PULLSTRING	SPARE
P-6100-077	1"	LP-BCB	FIT-4020	2#12, #12GND	
P-6100-078	1"	MCC-BCB	WH-6102	3#10, #12GND	VIA DS
P-6100-079	1"	LP-BCB	RAW WATER METER VAULT LTG.	2#10, #12GND	
P-6100-080	1"	LP-BCB	RAW WATER METER VAULT RECPT.	2#10, #12GND	
P-6100-081	1"	PP-BCB-1	VCP-1500	3#12, #12GND	
P-6100-082	1"	PP-BCB-1	VCP-1500	EMPTY W/ PULLSTRING	SPARE
P-6100-083	4"	MCC-BCB	PORTABLE GENERATOR CONNECTION	3#250Kcmil, #2GND	
P-6100-084	4"	MCC-BCB	PORTABLE GENERATOR CONNECTION	3#250Kcmil, #2GND	
P-6100-085	1"	LP-BCB	FIT-1502	2#12, #12GND	
P-6100-086	1"	LP-BCB	FIT-1503	2#12, #12GND	
P-6100-087	2"	PP-BCB-2	PP-BCB-2	3#1/0, #6GND	
P-6100-088	1"	LP-BCB	HTCP-6100-1	2#10, #10GND	
P-6100-089	3/4"	HTCP-6100-1	FSH-6119 CIRCUIT 1	2#12, #12GND	
P-6100-090	3/4"	FSH-6119 CIRCUIT 1	LIME DILUTION NO. 1 CIRCUIT 2	2#10, #10GND	

CONDUIT NO.	SIZE	FROM	TO	CONDUCTORS	REMARKS
P-6100-091	3/4"	HTCP-6100-1	LIME DILUTION NO. 2 CIRCUIT 3	2#10, #10GND	
P-6100-092	3/4"	LIME DILUTION NO. 2 CIRCUIT 3	LIME DILUTION NO. 3 CIRCUIT 4	2#10, #10GND	
P-6100-093	-	-	-	NOT USED	
P-6100-094	-	-	-	NOT USED	
CONDUIT NO.	SIZE	FROM	TO	CONDUCTORS	REMARKS
C-6100-001	1"	CP-WIL-BCB	VAL-4020	10#14, #14GND	
C-6100-002	1"	CP-WIL-BCB	SEDIMENTATION BASIN 1	EMPTY W/PULLSTRING	
C-6100-003	1"	CP-WIL-BCB	SEDIMENTATION BASIN 1	EMPTY W/PULLSTRING	
C-6100-004	1"	CP-WIL-BCB	SEDIMENTATION BASIN 1	EMPTY W/PULLSTRING	
C-6100-005	1-1/2"	MCC-BCB	CPB-ALUM-1	48#14, #14GND	
C-6100-006	1"	MCC-BCB	CPB-ZOP-1	32#14, #14GND	
C-6100-007	3/4"	CPB-ALUM-1	PSH--6101	2#14, #14GND	
C-6100-008	3/4"	CPB-ALUM-1	LCS-6101	12#14, #14GND	
C-6100-009	3/4"	CPB-ALUM-1	PMP-6101	4#14, #14GND	
C-6100-010	3/4"	CPB-ALUM-1	PSH--6102	2#14, #14GND	
C-6100-011	3/4"	CPB-ALUM-1	LCS-6102	12#14, #14GND	
C-6100-012	3/4"	CPB-ALUM-1	PMP-6102	4#14, #14GND	
C-6100-013	3/4"	CPB-ALUM-1	PSH-6103	2#14, #14GND	
C-6100-014	3/4"	CPB-ALUM-1	LCS-6103	12#14, #14GND	
C-6100-015	3/4"	CPB-ALUM-1	PMP-6103	4#14, #14GND	
C-6100-016	3/4"	CPB-ZOP-1	PSH-6151	2#14, #14GND	
C-6100-017	3/4"	CPB-ZOP-1	LCS-6151	12#14, #14GND	
C-6100-018	3/4"	CPB-ZOP-1	PMP-6151	4#14, #14GND	
C-6100-019	3/4"	CPB-ZOP-1	PSH-6152	2#14, #14GND	
C-6100-020	3/4"	CPB-ZOP-1	LCS-6152	12#14, #14GND	
C-6100-021	3/4"	CPB-ZOP-1	PMP-6152	4#14, #14GND	
C-6100-022	3/4"	CP-WIL-BCB	CP-ZOP/ALUM-FILL	16#14, #14GND	
C-6100-023	3/4"	CP-ZOP/ALUM-FILL	LSH-6101	MAN. SUPPLIED CABLE	
C-6100-024	3/4"	CP-ZOP/ALUM-FILL	LSH-6102	MAN. SUPPLIED CABLE	
C-6100-025	3/4"	CP-ZOP/ALUM-FILL	LSH-6103	MAN. SUPPLIED CABLE	
C-6100-026	3/4"	CP-WIL-BCB	JB-LSH-6100	2#14, #14GND	
C-6100-027	3/4"	CP-WIL-BCB	JB-LSH-6154	2#14, #14GND	
C-6100-028	3/4"	CP-WIL-BCB	JB-LSH-6119	2#14, #14GND	
C-6100-029	1-1/2"	CP-WILL-BCB	CPB-ALUM-2	48#14, #14GND	
C-6100-030	3/4"	CPB-ALUM-2	PMP-6111	10#14, #14GND	10#14, #14GND
C-6100-031	3/4"	CPB-ALUM-2	PSH-6111	2#14, #14GND	
C-6100-032	3/4"	CPB-ALUM-2	PMP-6112	10#14, #14GND	
C-6100-033	3/4"	CPB-ALUM-2	PSH-6112	2#14, #14GND	
C-6100-034	3/4"	CPB-ALUM-2	PMP-6113	10#14, #14GND	
C-6100-035	3/4"	CPB-ALUM-2	PSH-6113	2#14, #14GND	
C-6100-036	3/4"	CPB-ALUM-2	PMP-6114	10#14, #14GND	
C-6100-037	3/4"	CPB-ALUM-2	PSH-6114	2#14, #14GND	
C-6100-038	3/4"	VCP-LIME-DIL1	VAL-6120	MAN. SUPPLIED CABLE	
C-6100-039	3/4"	VCP-LIME-1	ZSO/ZSC-6121, ZSO/ZSC-6122, ZSO/ZSC-6123, ZSO/ZSC-6124	MAN. SUPPLIED CABLE	
C-6100-040	2"	VCP-LIME-1	CPB-LIME-1	MAN. SUPPLIED CABLE	
C-6100-041	3/4"	CPB-LIME-1	VAL-6121	MAN. SUPPLIED CABLE	
C-6100-042	3/4"	CPB-LIME-1	VAL-6122	MAN. SUPPLIED CABLE	
C-6100-043	3/4"	CPB-LIME-1	VAL-6123	MAN. SUPPLIED CABLE	
C-6100-044	3/4"	CPB-LIME-1	VAL-6124	MAN. SUPPLIED CABLE	
C-6100-045	3/4"	CPB-LIME-1	PMP-6121	MAN. SUPPLIED CABLE	
C-6100-046	3/4"	CPB-LIME-1	PMP-6122	MAN. SUPPLIED CABLE	
C-6100-047	3/4"	CPB-LIME-1	PMP-6123	MAN. SUPPLIED CABLE	
C-6100-048	3/4"	CPB-LIME-1	PMP-6124	MAN. SUPPLIED CABLE	
C-6100-049	3/4"	CPB-LIME-1	CP-LIME-FILL	4#14, #14GND	
C-6100-050	3/4"	VCP-LIME-DIL2	VAL-6130	MAN. SUPPLIED CABLE	
C-6100-051	3/4"	VCP-LIME-2	ZSO/ZSC-6131, ZSO/ZSC-6132, ZSO/ZSC-6133, ZSO/ZSC-6134	MAN. SUPPLIED CABLE	
C-6100-052	2"	VCP-LIME-2	CPB-LIME-2	MAN. SUPPLIED CABLE	
C-6100-053	3/4"	CPB-LIME-2	PMP-6131	MAN. SUPPLIED CABLE	
C-6100-054	3/4"	CPB-LIME-2	PMP-6132	MAN. SUPPLIED CABLE	
C-6100-055	3/4"	CPB-LIME-2	PMP-6133	MAN. SUPPLIED CABLE	
C-6100-056	3/4"	CPB-LIME-2	PMP-6134	MAN. SUPPLIED CABLE	
C-6100-057	3/4"	CPB-LIME-2	VAL-6131	MAN. SUPPLIED CABLE	
C-6100-058	3/4"	CPB-LIME-2	VAL-6132	MAN. SUPPLIED CABLE	
C-6100-059	3/4"	CPB-LIME-2	VAL-6133	MAN. SUPPLIED CABLE	
C-6100-060	3/4"	CPB-LIME-2	VAL-6134	MAN. SUPPLIED CABLE	
C-6100-061	3/4"	VCP-LIME-2	CP-LIME-FILL	4#14, #14GND	
C-6100-062	3/4"	VCP-LIME-2	CP-LIME-FILL	4#14, #14GND	
C-6100-063	3/4"	VCP-LIME-DIL3	VAL-6140	MAN. SUPPLIED CABLE	
C-6100-064	3/4"	VCP-LIME-3	ZSO/ZSC-6141, ZSO/ZSC-6142, ZSO/ZSC-6143, ZSO/ZSC-6144	MAN. SUPPLIED CABLE	
C-6100-065	2"	VCP-LIME-3	CPB-LIME-3	MAN. SUPPLIED CABLE	
C-6100-066	3/4"	CPB-LIME-3	PMP-6141	MAN. SUPPLIED CABLE	
C-6100-067	3/4"	CPB-LIME-3	PMP-6142	MAN. SUPPLIED CABLE	
C-6100-068	3/4"	CPB-LIME-3	PMP-6143	MAN. SUPPLIED CABLE	
C-6100-069	3/4"	CPB-LIME-3	PMP-6144	MAN. SUPPLIED CABLE	
C-6100-070	3/4"	CPB-LIME-3	VAL-6141	MAN. SUPPLIED CABLE	
C-6100-071	3/4"	CPB-LIME-3	VAL-6142	MAN. SUPPLIED CABLE	
C-6100-072	3/4"	CPB-LIME-3	VAL-6143	MAN. SUPPLIED CABLE	
C-6100-073	3/4"	CPB-LIME-3	VAL-6144	MAN. SUPPLIED CABLE	
C-6100-074	-	-	-	NOT USED	
C-6100-075	3/4"	CP-ZOP/ALUM-FILL	LSHH-6151	MAN. SUPPLIED CABLE	
C-6100-076	3/4"	CP-ZOP/ALUM-FILL	LSHH-6152	MAN. SUPPLIED CABLE	
C-6100-077	3/4"	VCP-LIME-1	MIX-6120	MFR. SUPPLIED CABLE	
C-6100-078	3/4"	VCP-LIME-2	MIX-6130	MFR. SUPPLIED CABLE	
C-6100-079	3/4"	VCP-LIME-3	MIX-6140	MFR. SUPPLIED CABLE	
C-6100-080	3/4"	ACP-BCB	WEST ELECTRICAL ROOM DOOR	EMPTY W/PULLSTRING	
C-6100-081	3/4"	ACP-BCB	EAST EXTERIOR DOOR	EMPTY W/PULLSTRING	

GMP SUBMITTAL. DO NOT USE FOR CONSTRUCTION.

PROJECT MANAGER:	T. HUDSON
DESIGNED BY:	S. CHAVEZ
DRAWN BY:	S. CHAVEZ
PROJECT ENGINEER:	B. BUELTEL
IF THIS BAR DOES NOT MEASURE 1" THEN DRAWING IS NOT TO FULL SCALE	0 1/2" 1"



- NOTES:**
1. DEMO PLAN DRAWINGS SHOW APPROXIMATE EQUIPMENT AND INSTRUMENTATION LOCATIONS.
 2. DISCONNECT AND REMOVE EXISTING TRANSFER PUMP 2 AND CP-TRANSFER AS SHOWN.
 3. DEMOLISH EXISTING FLUORIDE TRANSFER PUMP 1 RECEPTACLE AND FURNISH AND INSTALL (2) NEW RECEPTACLES AS SHOWN ON E6201. EXISTING RECEPTACLE CIRCUIT SHALL BE USED TO WIRE NEW RECEPTACLES. DEMOLISH CONDUIT BACK SO THAT IT IS NO LONGER WITHIN THE CONTAINMENT AREA. EXTEND REMAINING CONDUIT AND FEED WIRES TO NEW RECEPTACLE LOCATIONS.
 4. DISCONNECT AND REMOVE EXISTING LIT-806 AND LE-806. PRESERVE CONDUIT FOR REUSE. DEMOLISH CONDUCTORS BETWEEN LIT-806 AND LE-806 AND PRESERVE CONDUCTORS FROM LIT-806 BACK TO POWER AND PLC FOR RECONNECTION TO NEW TRANSMITTER.
 5. REFERENCE OTHER DISCIPLINE DRAWINGS FOR ADDITIONAL DEMOLITION REQUIREMENTS.

DEMOLITION PLAN

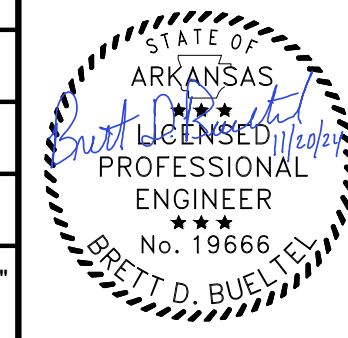
1/2" = 1'-0"

GMP SUBMITTAL. DO NOT USE FOR CONSTRUCTION.

Autodesk_Docs/60711-001_Wilson_WTP_Rehab_Filter_Basins/60711-003-6300-FT-ELEC.rvt 11/19/2024 10:38:52 AM

REV	ISSUED FOR	DATE	BY

PROJECT MANAGER:	T. HUDSON
DESIGNED BY:	N. NELSON
DRAWN BY:	N. NELSON
PROJECT ENGINEER:	B. BUELTEL
IF THIS BAR DOES NOT MEASURE 1" THEN DRAWING IS NOT TO FULL SCALE	0 1/2" 1"



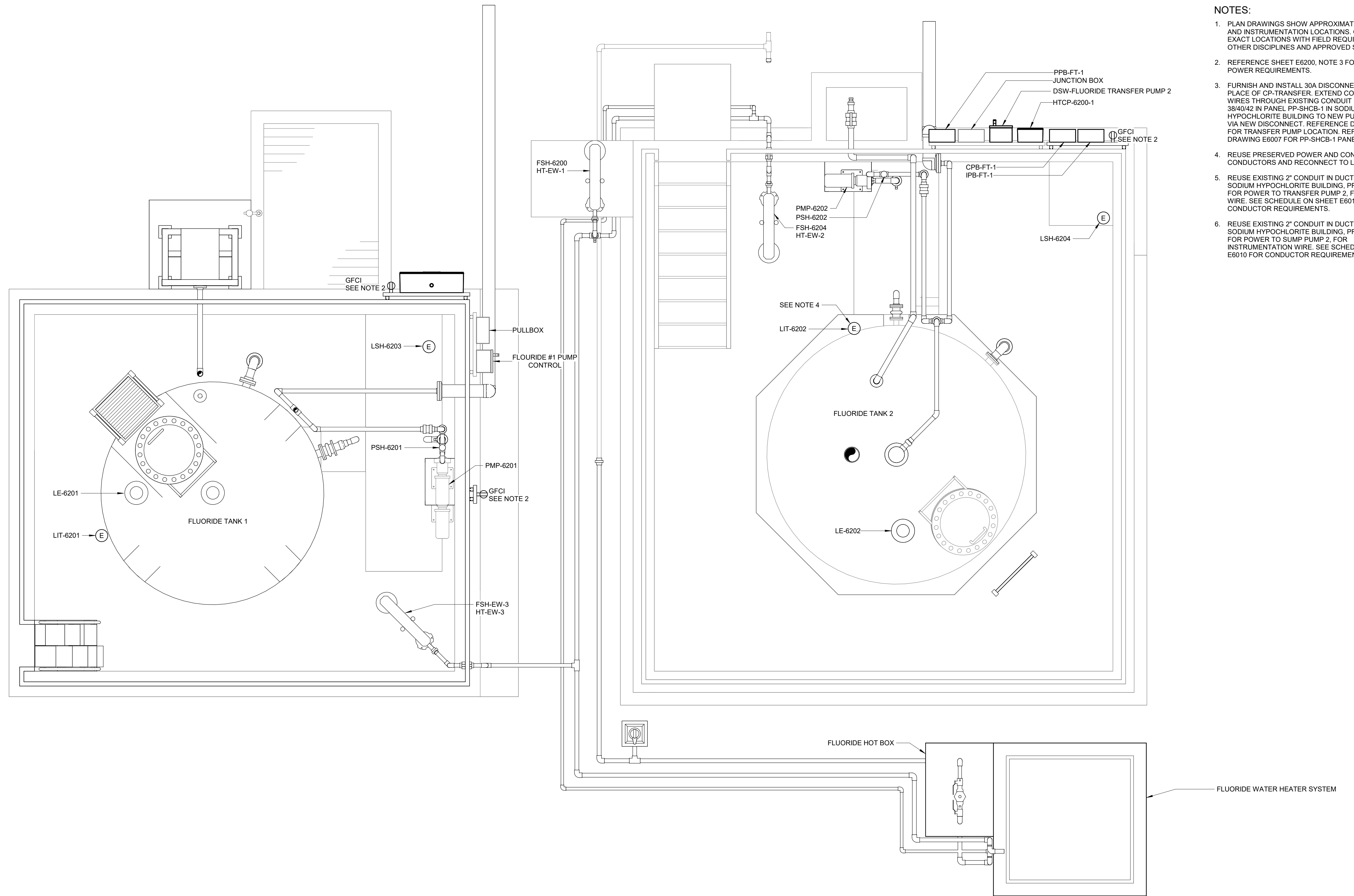
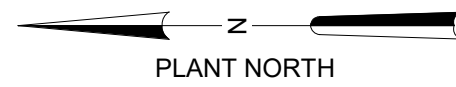
Hazen
HAZEN AND SAWYER
8150 N. CENTRAL EXPRESSWAY
TOWER II - SUITE 700
DALLAS, TEXAS 75206

CENTRAL ARKANSAS WATER
LITTLE ROCK, ARKANSAS

JACK H. WILSON WTP RENEWAL
AND RESILIENCY PROJECT

FLUORIDE CONTAINMENT
ELECTRICAL
DEMOLITION PLAN

DATE:	NOVEMBER 2024
HAZEN NO.:	60711-003
CONTRACT NO.:	1
DRAWING NUMBER:	E6200



- NOTES:**
1. PLAN DRAWINGS SHOW APPROXIMATE EQUIPMENT AND INSTRUMENTATION LOCATIONS. COORDINATE EXACT LOCATIONS WITH FIELD REQUIREMENTS AND OTHER DISCIPLINES AND APPROVED SHOP DRAWINGS.
 2. REFERENCE SHEET E6200, NOTE 3 FOR RECEPTACLE POWER REQUIREMENTS.
 3. FURNISH AND INSTALL 30A DISCONNECT SWITCH IN PLACE OF CP-TRANSFER. EXTEND CONDUIT AND FEED WIRES THROUGH EXISTING CONDUIT FROM CIRCUITS 38/40/42 IN PANEL PP-SHCB-1 IN SODIUM HYPOCHLORITE BUILDING TO NEW PUMP LOCATION VIA NEW DISCONNECT. REFERENCE DRAWING E6201 FOR TRANSFER PUMP LOCATION. REFERENCE DRAWING E6007 FOR PP-SHCB-1 PANEL SCHEDULE.
 4. REUSE PRESERVED POWER AND CONTROL CONDUCTORS AND RECONNECT TO LIT-6202.
 5. REUSE EXISTING 2" CONDUIT IN DUCTBANK BACK TO SODIUM HYPOCHLORITE BUILDING, PREVIOUSLY USED FOR POWER TO TRANSFER PUMP 2. FOR CONTROL WIRE. SEE SCHEDULE ON SHEET E6010 FOR CONDUCTOR REQUIREMENTS.
 6. REUSE EXISTING 2" CONDUIT IN DUCTBANK BACK TO SODIUM HYPOCHLORITE BUILDING, PREVIOUSLY USED FOR POWER TO SUMP PUMP 2. FOR INSTRUMENTATION WIRE. SEE SCHEDULE ON SHEET E6010 FOR CONDUCTOR REQUIREMENTS.

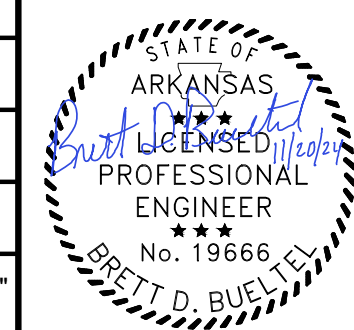
POWER PLAN
1/2" = 1'-0"

GMP SUBMITTAL. DO NOT USE FOR CONSTRUCTION.

Autodesk_Docs/69711-001_Wilson_WTP_Rehab_Elec_Basins/69711-003-6200-FT-ELEC.rvt 11/19/2024 10:38:52 AM

REV	ISSUED FOR	DATE	BY

PROJECT MANAGER:	T. HUDSON
DESIGNED BY:	N. NELSON
DRAWN BY:	N. NELSON
PROJECT ENGINEER:	B. BUELTEL
IF THIS BAR DOES NOT MEASURE 1" THEN DRAWING IS NOT TO FULL SCALE	0 1/2" 1"



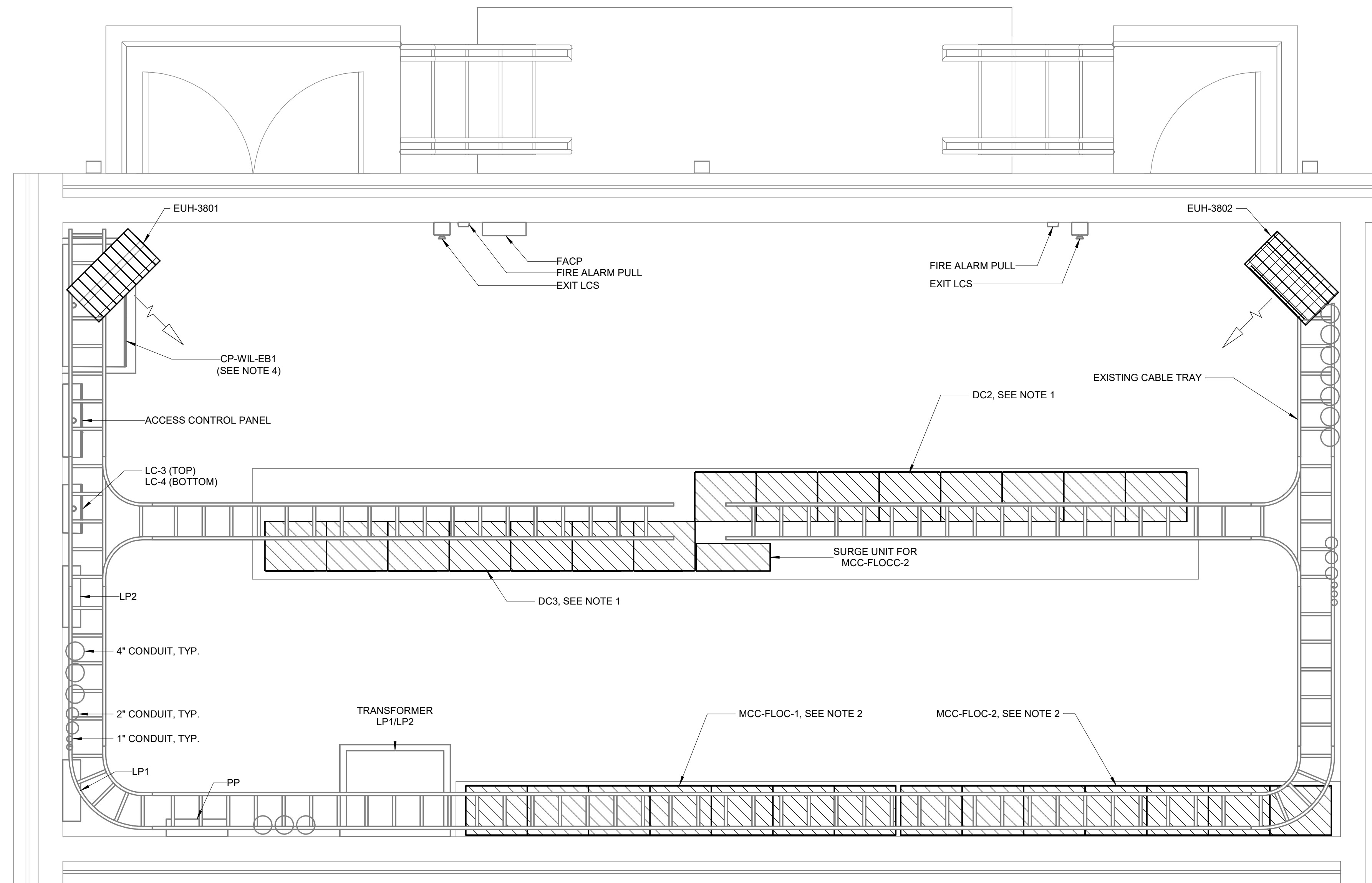
Hazen
HAZEN AND SAWYER
8150 N. CENTRAL EXPRESSWAY
TOWER II - SUITE 700
DALLAS, TEXAS 75206

CENTRAL ARKANSAS WATER
LITTLE ROCK, ARKANSAS

JACK H. WILSON WTP RENEWAL
AND RESILIENCY PROJECT

FLUORIDE CONTAINMENT
ELECTRICAL
POWER PLAN

DATE:	NOVEMBER 2024
HAZEN NO.:	60711-003
CONTRACT NO.:	1
DRAWING NUMBER:	E6201



NOTES:

1. REMOVE ALL CONDUCTORS, EXPOSED PORTIONS OF CONDUITS, AND SUPPORTS ASSOCIATED WITH DEMOLISHED ELECTRICAL EQUIPMENT.
2. DISCONNECT AND REMOVE ALL ELECTRICAL ASSOCIATED WITH THE MCC UNITS DC2 AND DC3, INCLUDING DISCONNECT SWITCHES, CONTROL PANELS, AND ANCILLARY DEVICES. SEE SHEETS E7004 AND E7006 FOR CONDUCTOR AND CONDUIT DEMOLITION REQUIREMENTS.
3. DISCONNECT AND REMOVE ALL ELECTRICAL ASSOCIATED WITH THE EXISTING MCC UNITS MCC-FLOC-1 AND MCC-FLOC-2, INCLUDING DISCONNECT SWITCHES, CONTROL PANELS, AND ANCILLARY DEVICES. ALL CONDUCTORS SHALL BE DISCONNECTED AND REMOVED BACK TO SOURCE.
4. REMOVE EXISTING PLC PANEL NAMEPLATE. SEE SHEET E7002 FOR NEW NAMEPLATE REQUIREMENTS.
5. REFERENCE OTHER DISCIPLINE DRAWINGS FOR ADDITIONAL DEMOLITION REQUIREMENTS.

DEMOLITION PLAN

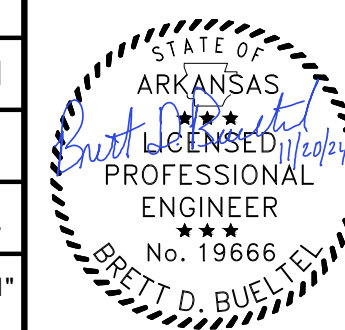
1/2" = 1'-0"

GMP SUBMITTAL. DO NOT USE FOR CONSTRUCTION.

Autodesk_Docs/60711-001_Wilson_WTP_Rehab_Filter_Basins/60711-000-7000-EB1-ELEC.rvt 11/18/2024 10:27:52 AM

REV	ISSUED FOR	DATE	BY

PROJECT MANAGER:	T. HUDSON
DESIGNED BY:	N. NELSON
DRAWN BY:	N. NELSON
PROJECT ENGINEER:	B. BUELTEL
IF THIS BAR DOES NOT MEASURE 1" THEN DRAWING IS NOT TO FULL SCALE	



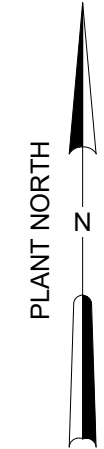
Hazen
HAZEN AND SAWYER
8150 N. CENTRAL EXPRESSWAY
TOWER II - SUITE 700
DALLAS, TEXAS 75206

CENTRAL ARKANSAS WATER
LITTLE ROCK, ARKANSAS

JACK H. WILSON WTP RENEWAL
AND RESILIENCY PROJECT

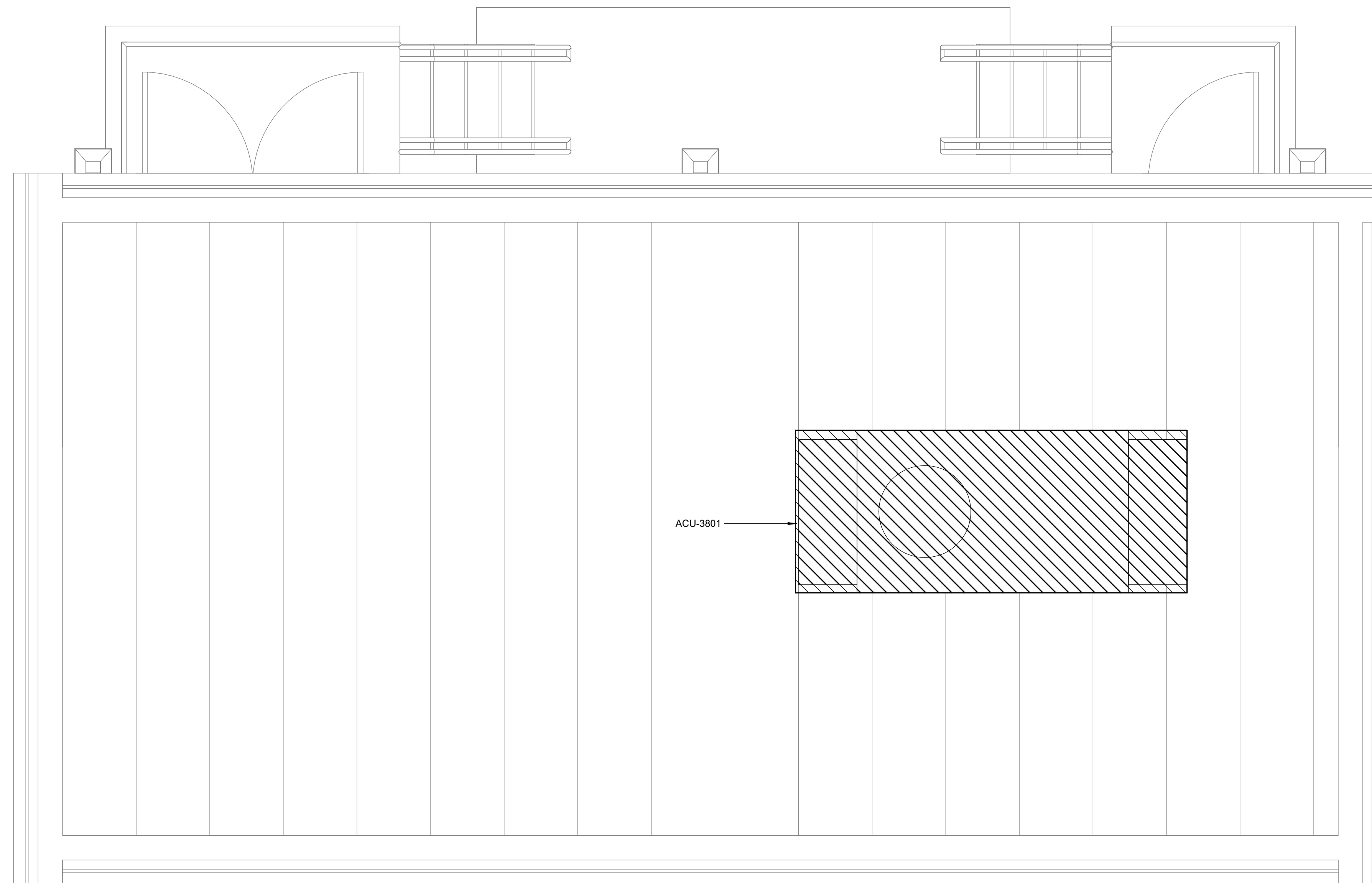
ELECTRICAL BUILDING No. 1
ELECTRICAL
DEMOLITION PLAN

DATE:	NOVEMBER 2024
HAZEN NO.:	60711-003
CONTRACT NO.:	1
DRAWING NUMBER:	E7000



NOTES:

1. REMOVE ALL CONDUCTORS, EXPOSED PORTIONS OF CONDUITS, AND SUPPORTS ASSOCIATED WITH DEMOLISHED ELECTRICAL EQUIPMENT.
2. REFERENCE OTHER DISCIPLINE DRAWINGS FOR ADDITIONAL DEMOLITION REQUIREMENTS.



ROOF DEMOLITION PLAN

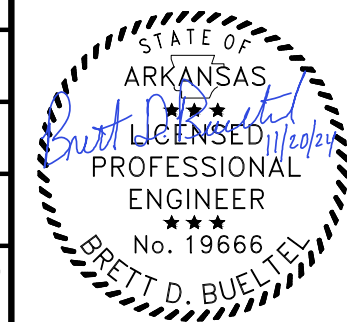
1/2" = 1'-0"

GMP SUBMITTAL. DO NOT USE FOR CONSTRUCTION.

Autodesk_Docs\60711-001_Wilson_WTP_Rehab_Filter_Basins\60711-000-7000-EBI-ELEC.rvt 11/19/2024 10:27:52 AM

REV	ISSUED FOR	DATE	BY

PROJECT MANAGER:	T. HUDSON
DESIGNED BY:	N. NELSON
DRAWN BY:	N. NELSON
PROJECT ENGINEER:	B. BUELTEL
IF THIS BAR DOES NOT MEASURE 1" THEN DRAWING IS NOT TO FULL SCALE	



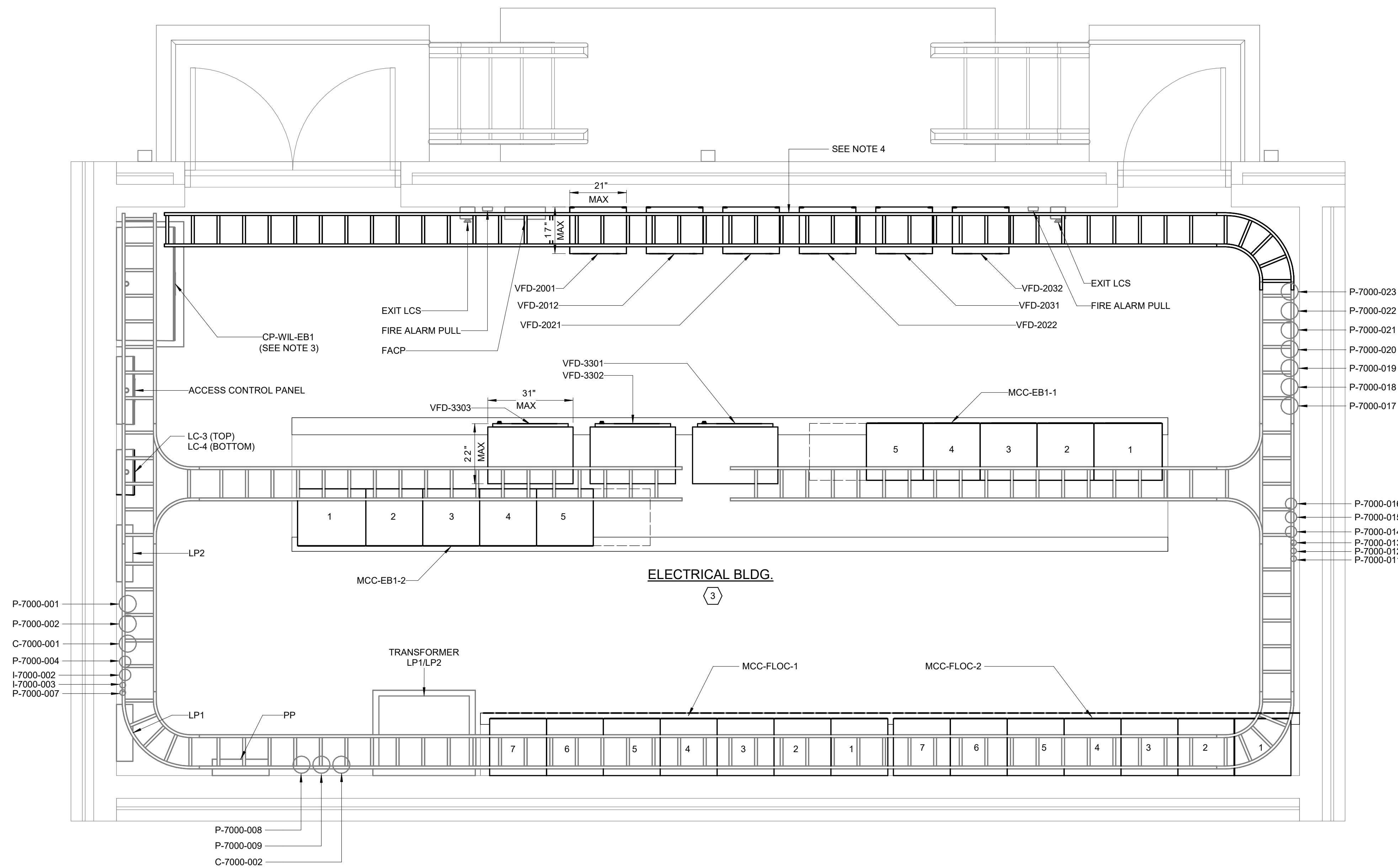
Hazen
 HAZEN AND SAWYER
 8150 N. CENTRAL EXPRESSWAY
 TOWER II - SUITE 700
 DALLAS, TEXAS 75206

CENTRAL ARKANSAS WATER
 LITTLE ROCK, ARKANSAS

JACK H. WILSON WTP RENEWAL
 AND RESILIENCY PROJECT

ELECTRICAL BUILDING No. 1
 ELECTRICAL
 ROOF DEMOLITION PLAN

DATE:	NOVEMBER 2024
HAZEN NO.:	60711-003
CONTRACT NO.:	1
DRAWING NUMBER:	E7001



POWER PLAN
1/2" = 1'-0"

- NOTES:**
- EXISTING WALKER DUCT UNDER BASIN WALKWAYS ARE TO BE USED TO RUN NEW CONDUIT AND CONDUCTORS FROM THE ELECTRICAL BUILDING 1 TO ELECTRICAL BUILDING 2. EXISTING WALKER DUCT CONDITIONS SHALL BE FIELD VERIFIED, WITH ANY DISCREPANCIES SUBMITTED TO THE ENGINEER, PRIOR TO ROUTING. ANY DISCREPANCIES BETWEEN FIELD CONDITIONS AND PROVIDED AS-BUILT DOCUMENTS SHALL BE DOCUMENTED BY THE CONTRACTOR. REFERENCE SHEETS E1012 AND E1013 FOR LOCATIONS ON SITE PLAN.
 - EXISTING CONDUIT EXITING BUILDING WERE NOT PREVIOUSLY NUMBERED. NEW NUMBERS HAVE BEEN GIVEN TO EXISTING CONDUIT FOR IDENTIFICATION. SEE TABLE BELOW FOR INFORMATION REGARDING EXISTING CONDUIT.
 - FURNISH AND INSTALL NEW ENGRAVED NAMEPLATE FOR PLC PANEL.
 - EXTEND TOP AND BOTTOM CABLE TRAYS AS SHOWN. NEW CABLE TRAY SHALL BE OF SAME TYPE AND MOUNTED AT SAME HEIGHT AS EXISTING TRAYS.

- AREA DESIGNATIONS:**
- ① INDOOR WET PROCESS AREA
 - ② INDOOR DRY PROCESS AREA
 - ③ INDOOR DRY NON-PROCESS AREA

EXISTING CONDUIT SCHEDULE		
NUMBER	SIZE	TO LOCATION
P-7000-001	4"	PB-FSB-2B
P-7000-002	4"	PB-FSB-2B
P-7000-004	2"	PB-FSB-2B
P-7000-007	1"	PB-FSB-2B
P-7000-008	4"	JB-2A
P-7000-009	4"	JB-2A
P-7000-011	1"	MH8
P-7000-012	1"	MH8
P-7000-013	1"	MH8
P-7000-014	2"	MH8
P-7000-015	2"	MH8
P-7000-016	2"	MH8
P-7000-017	4"	MH8
P-7000-018	4"	MH8
P-7000-019	4"	MH8
P-7000-020	4"	MH8
P-7000-021	4"	MH8
P-7000-022	4"	MH8
P-7000-023	4"	MH8
P-7000-001	4"	PB-FSB-2B
P-7000-014	4"	JB-2A
C-7000-002	4"	JB-2A
I-7000-002	2"	PB-FSB-2B
I-7000-003	1"	PB-FSB-2B

GMP SUBMITTAL. DO NOT USE FOR CONSTRUCTION.

Autodesk_Docs\60711-001_Wilson_WTP_Renewal_Plan_Basins\60711-000-7000-EB1-ELEC.rvt 11/19/2024 10:27:52 AM

PROJECT MANAGER:	T. HUDSON		
DESIGNED BY:	N. NELSON		
DRAWN BY:	N. NELSON		
PROJECT ENGINEER:	B. BUELTEL		
IF THIS BAR DOES NOT MEASURE 1" THEN DRAWING IS NOT TO FULL SCALE	0 1/2" 1"		
REV	ISSUED FOR	DATE	BY



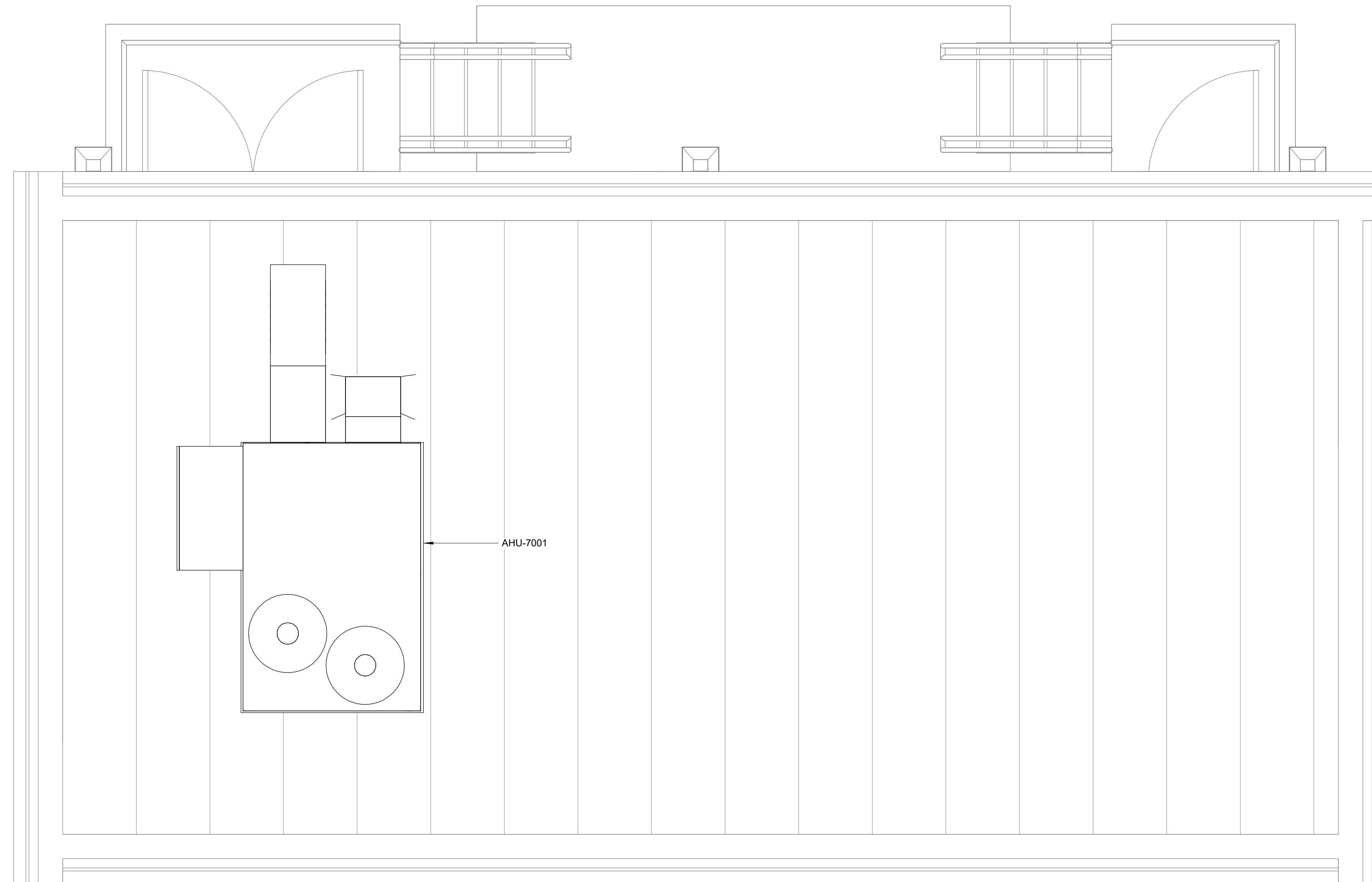
Hazen
HAZEN AND SAWYER
8150 N. CENTRAL EXPRESSWAY
TOWER II - SUITE 700
DALLAS, TEXAS 75206

CENTRAL ARKANSAS WATER
LITTLE ROCK, ARKANSAS

JACK H. WILSON WTP RENEWAL
AND RESILIENCY PROJECT

ELECTRICAL BUILDING No. 1
ELECTRICAL
POWER PLAN

DATE:	NOVEMBER 2024
HAZEN NO.:	60711-003
CONTRACT NO.:	1
DRAWING NUMBER:	E7002



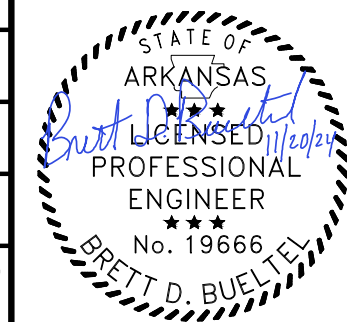
ROOF PLAN
1/2" = 1'-0"

GMP SUBMITTAL. DO NOT USE FOR CONSTRUCTION.

Autodesk_DocSet/60711-001_Wilson_WTP_Rehab_Filter_Base/60711-000-7000-EBI-ELEC.rvt
11/19/2024 10:27:53 AM

REV	ISSUED FOR	DATE	BY

PROJECT MANAGER:	T. HUDSON
DESIGNED BY:	N. NELSON
DRAWN BY:	N. NELSON
PROJECT ENGINEER:	B. BUELTEL
IF THIS BAR DOES NOT MEASURE 1" THEN DRAWING IS NOT TO FULL SCALE	



Hazen
HAZEN AND SAWYER
8150 N. CENTRAL EXPRESSWAY
TOWER II - SUITE 700
DALLAS, TEXAS 75206

CENTRAL ARKANSAS WATER
LITTLE ROCK, ARKANSAS

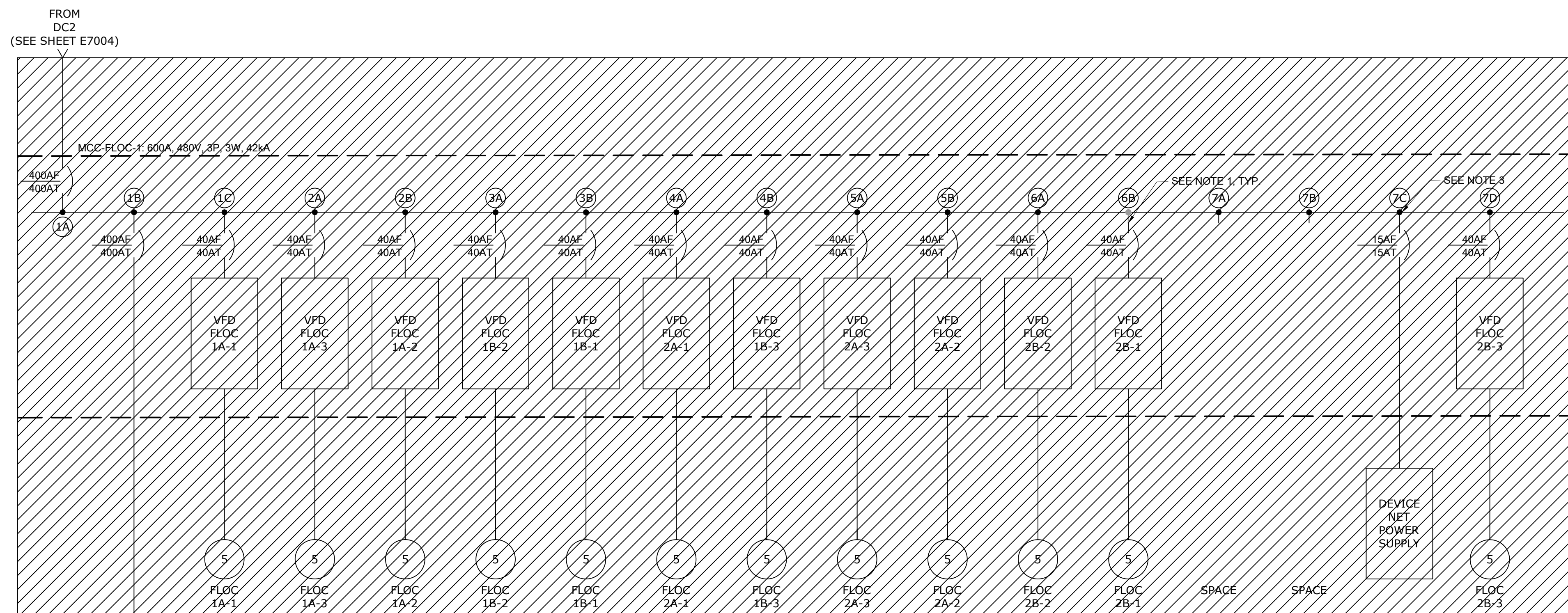
JACK H. WILSON WTP RENEWAL
AND RESILIENCY PROJECT

ELECTRICAL BUILDING No. 1
ELECTRICAL
ROOF PLAN

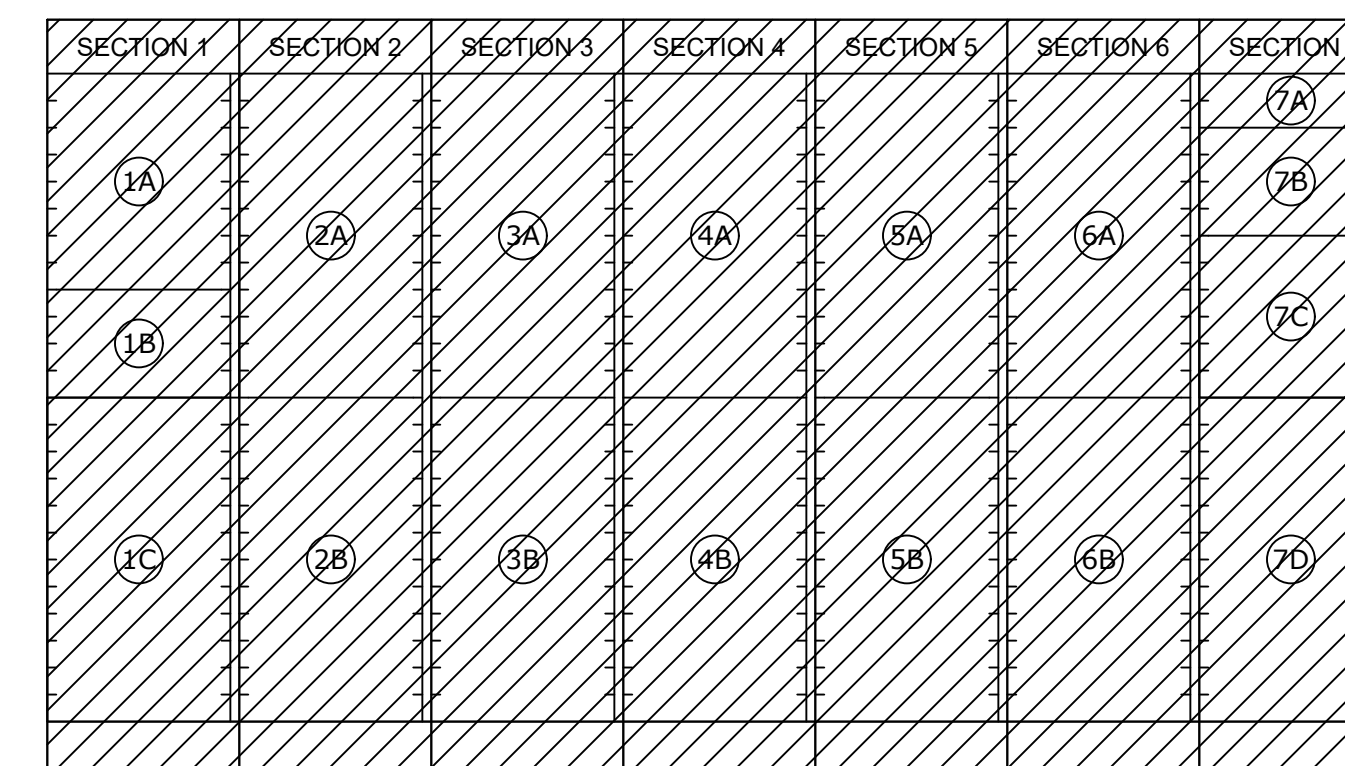
DATE:	NOVEMBER 2024
HAZEN NO.:	60711-003
CONTRACT NO.:	1
DRAWING NUMBER:	E7003

NOTES:

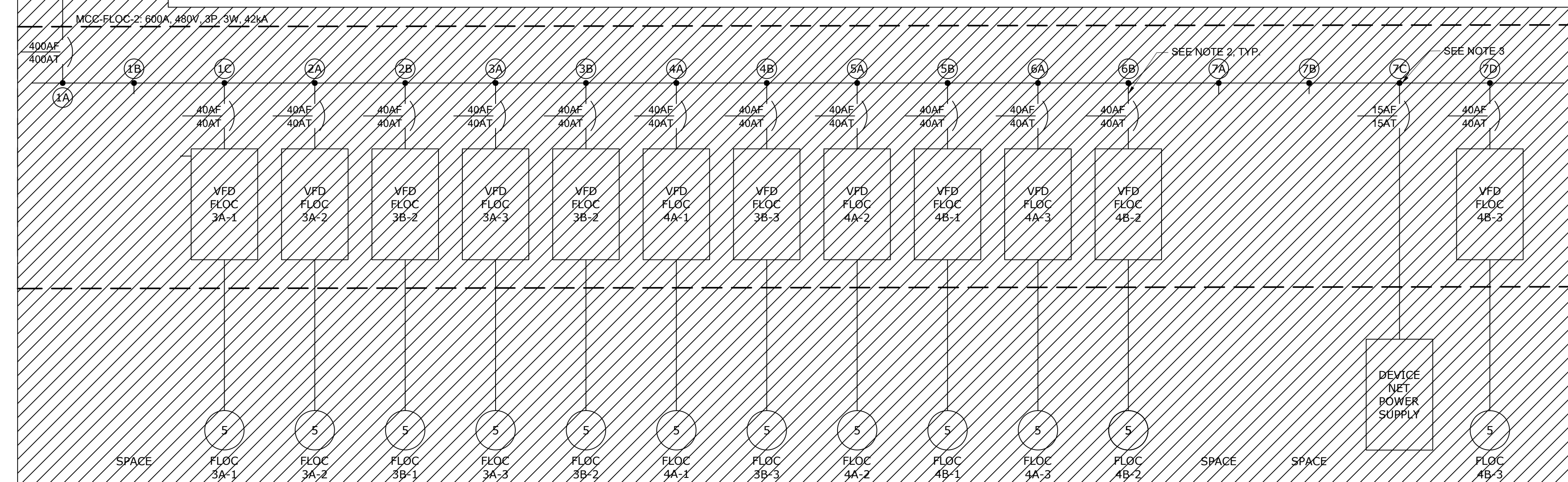
- DISCONNECT AND DEMOLISH EXISTING MOTOR CONTROL CENTERS, INCLUDING ALL ANCILLARY DEVICES. DEMOLISH EQUIPMENT AS DEPICTED IN SINGLE LINE DIAGRAM.



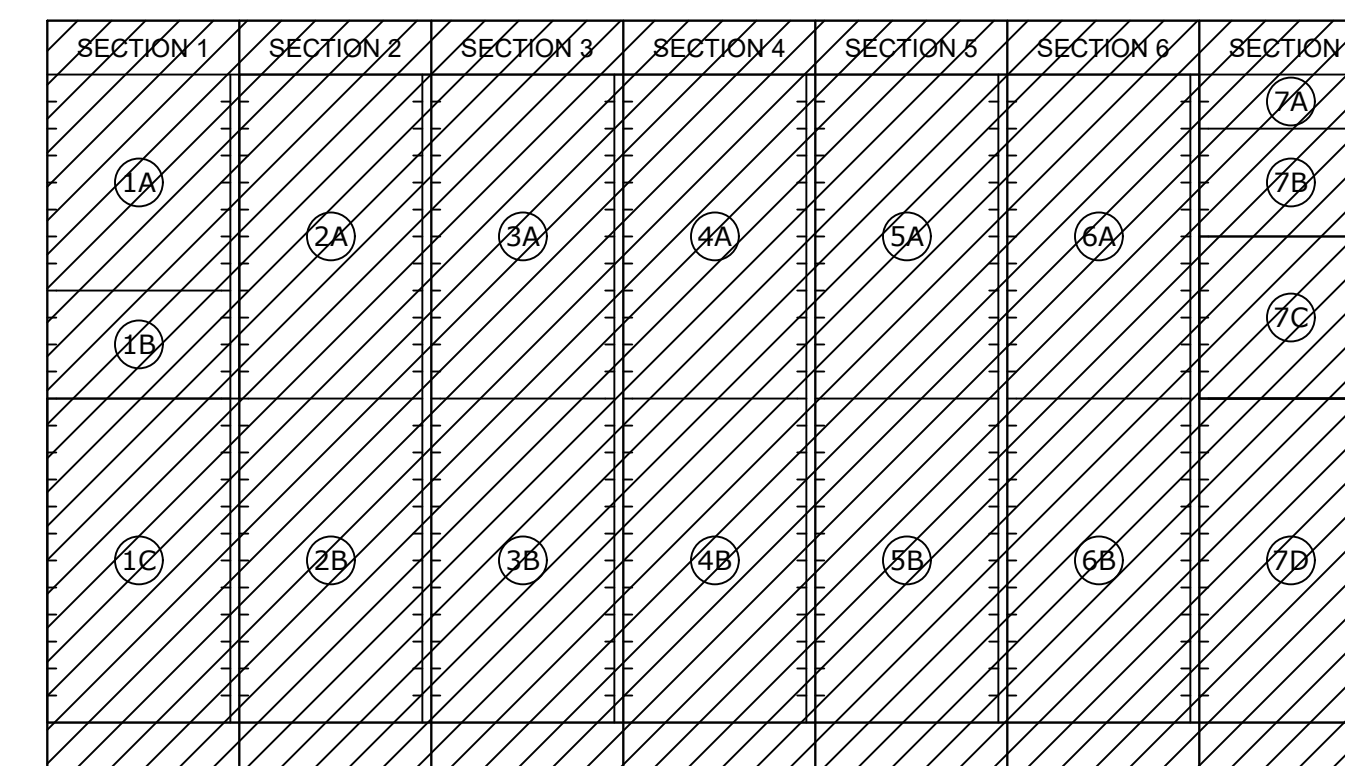
MCC-FLOC-1
SINGLE-LINE DIAGRAM - DEMOLITION



MCC-FLOC-1 ELEVATION - DEMOLITION
N.T.S.



MCC-FLOC-2
SINGLE-LINE DIAGRAM - DEMOLITION



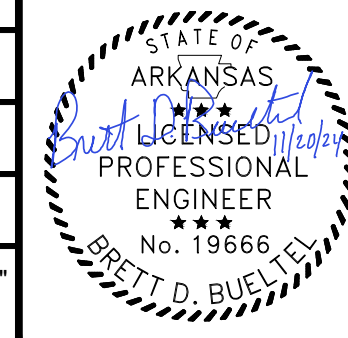
MCC-FLOC-2 ELEVATION - DEMOLITION
N.T.S.

GMP SUBMITTAL. DO NOT USE FOR CONSTRUCTION.

File: C:\USERS\NINELSON\Documents\HAZEN AND SAWYER\60711-001_WILSON_WTP_REHAB_FILTER_BASINPROJECT FILES\00_ELECTRICAL\E7005 Saved by NINELSON Save date: 10/02/2024 1:44 PM
PLOT DATE: 11/19/2024 1:49 PM BY: NINELSON

REV	ISSUED FOR	DATE	BY

PROJECT MANAGER:	T. HUDSON
DESIGNED BY:	N. NELSON
DRAWN BY:	N. NELSON
PROJECT ENGINEER:	B. BUELTEL
IF THIS BAR DOES NOT MEASURE 1" THEN DRAWING IS NOT TO FULL SCALE	



CENTRAL ARKANSAS WATER
LITTLE ROCK, ARKANSAS

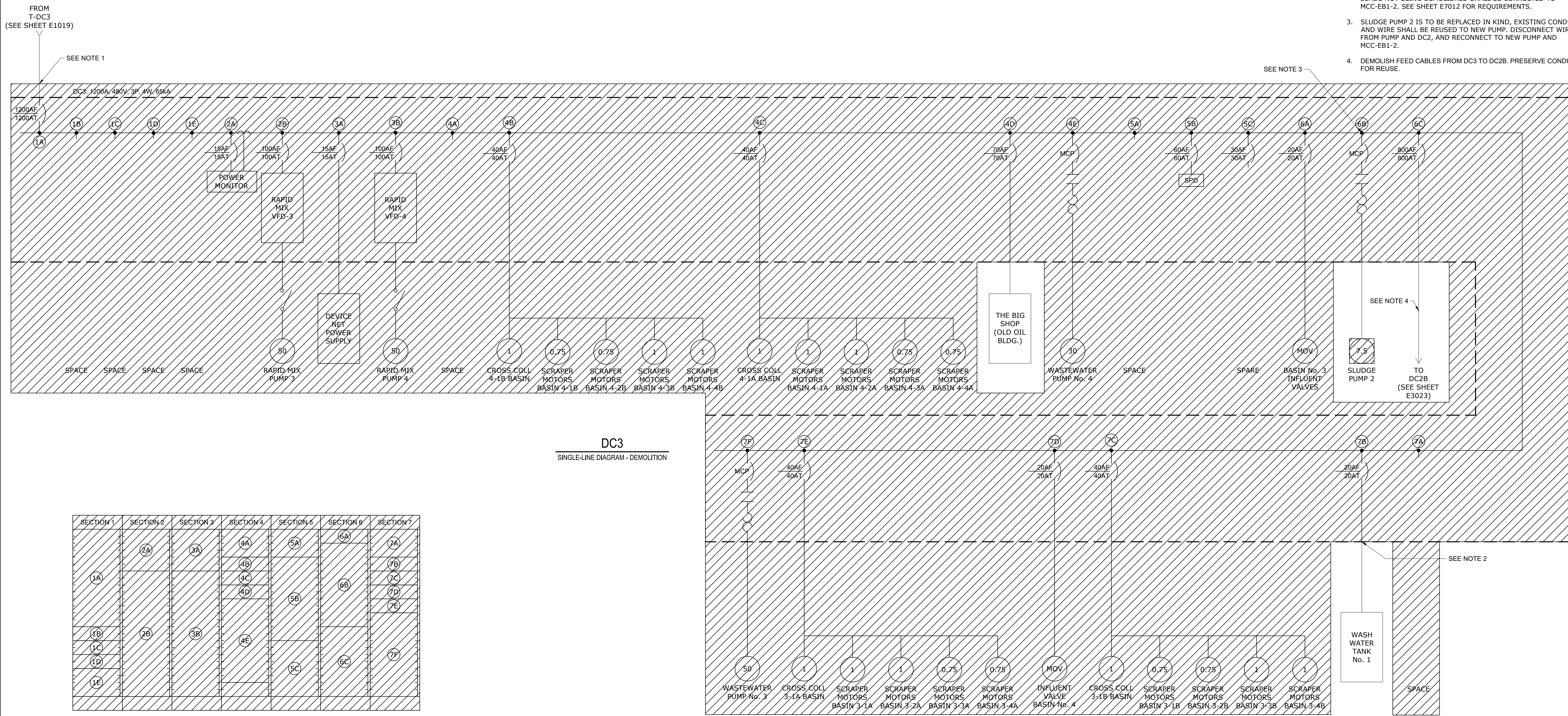
JACK H. WILSON WTP RENEWAL AND
RESILIENCY PROJECT

ELECTRICAL BUILDING NO. 1
ELECTRICAL
MCC-FLOC-1 & MCC-FLOC-2 SINGLE-LINE
DIAGRAM AND ELEVATION DEMO

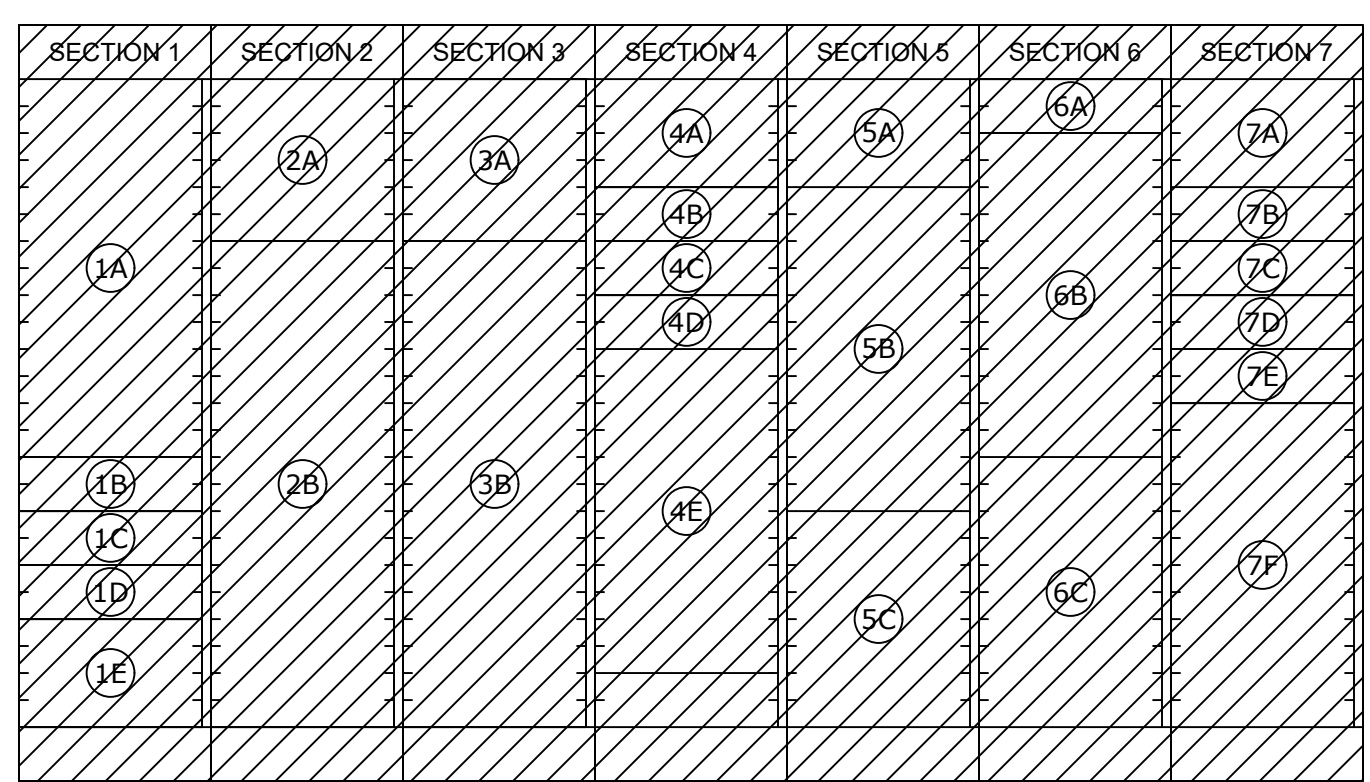
DATE:	NOVEMBER 2024
HAZEN NO.:	60711-003
CONTRACT NO.:	1
DRAWING NUMBER:	E7005

NOTES:

1. DISCONNECT AND DEMOLISH SUPPLY CONDUCTORS. EXISTING STUB-UPS SHALL BE USED FOR NEW MOTOR CONTROL CENTER STUB-UPS. SEE SHEET E7012 FOR PROPOSED REQUIREMENTS
2. DISCONNECT CONDUCTORS AND PROTECT FOR REUSE. EXISTING LOADS NOT BEING DEMOLISHED SHALL BE CONNECTED TO MCC-EB1-2. SEE SHEET E7012 FOR REQUIREMENTS.
3. SLUDGE PUMP 2 IS TO BE REPLACED IN KIND, EXISTING CONDUIT AND WIRE SHALL BE REUSED TO NEW PUMP. DISCONNECT WIRE FROM PUMP AND DC2, AND RECONNECT TO NEW PUMP AND MCC-EB1-2.
4. DEMOLISH FEED CABLES FROM DC3 TO DC2B. PRESERVE CONDUIT FOR REUSE.



DC3
SINGLE-LINE DIAGRAM - DEMOLITION



DC3 ELEVATION - DEMOLITION
N.T.S.

GMP SUBMITTAL. DO NOT USE FOR CONSTRUCTION.

File: C:\USERS\NINELSON\Documents\HAZEN AND SAWYER\60711-001_WILSON_WTP_REHAB_FILTER_BASINPROJECT FILES\00_ELECTRICAL\E7006 Saved by NNINELSON Save date: 11/14/2024 4:30 PM
 PLOT DATE: 11/19/2024 1:49 PM BY: NNINELSON

REV	ISSUED FOR	DATE	BY

PROJECT MANAGER:	T. HUDSON
DESIGNED BY:	N. NELSON
DRAWN BY:	N. NELSON
PROJECT ENGINEER:	B. BUELTEL
IF THIS BAR DOES NOT MEASURE 1" THEN DRAWING IS NOT TO FULL SCALE	



Hazen
HAZEN AND SAWYER
8150 N. CENTRAL EXPRESSWAY
TOWER II - SUITE 700
DALLAS, TEXAS 75206

CENTRAL ARKANSAS WATER
LITTLE ROCK, ARKANSAS

JACK H. WILSON WTP RENEWAL AND
RESILIENCY PROJECT

ELECTRICAL BUILDING NO. 1
ELECTRICAL
DC3 SINGLE-LINE DIAGRAM AND ELEVATION
DEMOLITION

DATE:	NOVEMBER 2024
HAZEN NO.:	60711-003
CONTRACT NO.:	1
DRAWING NUMBER:	E7006

NOTES:

- DISCONNECT LOADS FROM EXISTING PANEL. FEED EXISTING LOADS FROM PANEL PP-BSN-3/4 IN NEW ELECTRICAL BUILDING. SEE SHEET E7105 FOR PP-BSN-3/4 PANEL SCHEDULE. RELABEL EXISTING BREAKERS AS SPARES IN SAME CIRCUIT.
- RELABEL EXISTING BREAKERS AS SPARES IN SAME CIRCUIT.
- CIRCUIT NAME TO BE UPDATED TO "CP-WIL-EB1" ON NEW PANEL SCHEDULE.
- CONTRACTOR SHALL UPDATE EXISTING PANEL LP1 SCHEDULE TO REFLECT CHANGES SHOWN.

480/277 VOLTS 3 PHASE, 4 WIRE				PANEL PP MAIN BREAKER 225A 3P				TYPE: NEMA 1 MOUNT: SURFACE							
MODS	DESCRIPTION	WIRE	TRIP	POLE	CKT No.	VOLT-AMPERES			CKT No.	POLE	TRIP	WIRE	DESCRIPTION	MODS	
						A	B	C							
	SURGE PROTECTIVE DEVICE		60	3	1	0			2	1	20		AREA LIGHTING 1		
					3		0		4	1	20		AREA LIGHTING 2		
					5			0	6	1	20		AREA LIGHTING 3		
					7	1,330			8	1	20		AREA LIGHTING 4		
	EUH-3801		20	3	9		1,330		10	1	20		BOLLARD BASIN 1		
					11			1,330	12	1	20		BOLLARD BASIN 2		
					13	1,330			14	1	20		BOLLARD BASIN 3		
	EUH-3802		20	3	15		1,330		16	1	20		BOLLARD BASIN 4		
					17			1,330	18						
					19	6,900			20	3	30		UNKNOWN		
					21		6,900		22						
					23			6,900	24	1			SPACE		
					25	25,000			26	1			SPACE		
	XFMR-LP1/LP2 75 kva		125	3	27		25,000		28	1			SPACE		
					29			25,000	30	1			SPACE		
	SPACE				31	-			32	1			SPACE		
	SPACE				33	-			34	1			SPACE		
	SPACE				35	-			36	1			SPACE		
	SPACE				37	-			38	1			SPACE		
	SPACE				39	-			40	1			SPACE		
	SPACE				41	-			42	1			SPACE		
TOTAL						34,560	34,560	34,560	5,900	4,600	3,500	TOTAL			
PHASE TOTAL						40,460	39,160	38,060	TOTAL LOAD (VA)			117,680			
TOTAL									TOTAL LOAD (A)			142			

MODIFICATION (MODS) LEGEND:
 EPD - GROUND FAULT CIRCUIT INTERRUPTER (30mA)
 GFCI - GROUND FAULT CIRCUIT INTERRUPTER (5mA)
 LOD - LOCK-ON DEVICE
 LFD - LOCK-OFF DEVICE

NOTES:
22KAIC

SEE NOTE 1, TYP.

208/120 VOLTS 3 PHASE, 4 WIRE				PANEL LP1 MAIN BREAKER 125A 3P				TYPE: NEMA 1 MOUNT: SURFACE							
MODS	DESCRIPTION	WIRE	TRIP	POLE	CKT No.	VOLT-AMPERES			CKT No.	POLE	TRIP	WIRE	DESCRIPTION	MODS	
						A	B	C							
	SURGE PROTECTIVE DEVICE		60	3	1	0			2	1	20		RAPID MIX HTR 1		
					3			0	4	1	20		RAPID MIX HTR 2		
					5			0	6	1	20		RAPID MIX HTR 3		
					7	1,024			8	1	20		RAPID MIX HTR 4		
	INTERIOR LIGHTS		20	1	9		250		10	1	20		LC-3		
	EXTERIOR LIGHTS		20	1	11			250	12	1	20		LC-4		
	EXTERIOR LIGHTS		20	1	13	200			14	1	20		UNKNOWN		
	ACCESS CONTROL PANEL		20	1	15		200		16	1	20		UNKNOWN		
	FIRE ALARM CONTROL PANEL		20	1	17			720	18	1	20		SUB LIGHTING 2-A3		
	RECEPTACLES		20	1	19	1,000			20	1	20		SUB LIGHTING 2-B1		
	SUB LIGHTING 1-A1		20	1	21		1,000		22	1	20		SUB LIGHTING 2-B2		
	SUB LIGHTING 1-A2		20	1	23			1,000	24	1	20		SUB LIGHTING 2-B3		
	SUB LIGHTING 1-A3		20	1	25	500		1,000	26	1	20		BASIN 2 RECEPT		
	BASIN 1 RECEPT		20	1	27		500		28	1	20		BASIN 2 SLIDE GATE		
	BASIN 1 SLIDE GATE		20	1	29			1,176	30	1	20		SUMP PUMP 2A		
	SUMP PUMP 1A		20	1	31	1,176		1,176	32	1	20		SUMP PUMP 2B		
	SUMP PUMP 1B		20	1	33		1,000		34	1	20		SD-3801, SD-3802		
	SUB LIGHTING 1-B1		20	1	35			1,000	36	1	20		SCADA CP-WIL-DC23		
	SUB LIGHTING 1-B2		20	1	37	1,000			38	1			SPACE		
	SUB LIGHTING 1-B3		20	1	39		1,000		40	1			SPACE		
	SUB LIGHTING 2-A1		20	1	41			1,000	42	1			SPACE		
	SUB LIGHTING 2-A2		20	1	41			1,000							
TOTAL						4,900	3,950	5,146	5,676	3,200	4,876	TOTAL			
PHASE TOTAL						10,576	7,150	10,022	TOTAL LOAD (VA)			27,748			
TOTAL									TOTAL LOAD (A)			77			

MODIFICATION (MODS) LEGEND:
 EPD - GROUND FAULT CIRCUIT INTERRUPTER (30mA)
 GFCI - GROUND FAULT CIRCUIT INTERRUPTER (5mA)
 LOD - LOCK-ON DEVICE
 LFD - LOCK-OFF DEVICE

NOTES:
22KAIC

SEE NOTE 2, TYP.

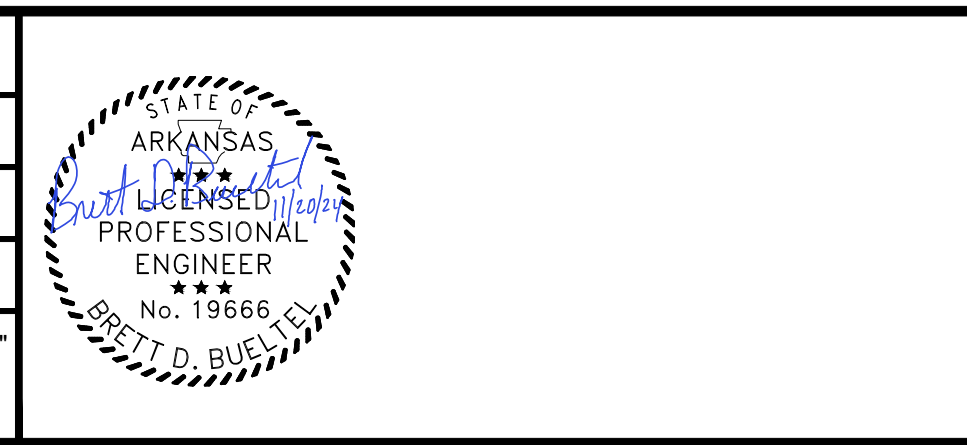
SEE NOTE 3

GMP SUBMITTAL. DO NOT USE FOR CONSTRUCTION.

File: C:\USERS\NINELSON\ACCD\Hazen\WTP_FILTER_BASINPROJECT FILES\00_ELECTRICAL\E7007 Saved by NINELSON Save date: 10/09/2024 1:46 PM

REV	ISSUED FOR	DATE	BY

PROJECT MANAGER:	T. HUDSON
DESIGNED BY:	N. NELSON
DRAWN BY:	N. NELSON
PROJECT ENGINEER:	B. BUELTEL
IF THIS BAR DOES NOT MEASURE 1" THEN DRAWING IS NOT TO FULL SCALE	0 1/2" 1"



CENTRAL ARKANSAS WATER
LITTLE ROCK, ARKANSAS

JACK H. WILSON WTP RENEWAL AND
RESILIENCY PROJECT

ELECTRICAL BUILDING NO. 1
ELECTRICAL
DEMOLITION PANEL SCHEDULES

DATE:	NOVEMBER 2024
HAZEN NO.:	60711-003
CONTRACT NO.:	1
DRAWING NUMBER:	E7007

NOTES:

- DISCONNECT LOAD FROM EXISTING PANEL. FEED EXISTING LOADS FROM PANEL LP-BSN-3/4 IN NEW ELECTRICAL BUILDING. SEE SHEET E7105 FOR LP-BSN-3/4 PANEL SCHEDULE. EXISTING CIRCUIT BREAKERS TO BE RELABELED AS SPARES AND FOR NEW LOADS. SEE SHEET E7013 FOR REQUIREMENTS.

208/120 VOLTS 3 PHASE, 4 WIRE				PANEL LP2 MAIN BREAKER 125A 3P				TYPE: NEMA 1 MOUNT: SURFACE							
MODS	DESCRIPTION	WIRE	TRIP	POLE	CKT No.	VOLT-AMPERES			CKT No.	POLE	TRIP	WIRE	DESCRIPTION	MODS	
						A	B	C							
	SURGE PROTECTIVE DEVICE		60	3	1	0	0	0	2	1	20		SUB LIGHTING 4-A1	SEE NOTE 1	
					3				4	1	20		SUB LIGHTING 4-A2		
					5				6	1	20		SUB LIGHTING 4-A3		
SEE NOTE 1	SUB LIGHTING 3-A1		20	1	7	1,000			8	1	20		SUB LIGHTING 4-B1		
	SUB LIGHTING 3-A2		20	1	9		1,000		10	1	20		SUB LIGHTING 4-B2		
	SUB LIGHTING 3-A3		20	1	11			1,000	12	1	20		SUB LIGHTING 4-B3		
	SUB LIGHTING 3-B1		20	1	13	1,000			14	1	20		BASIN 4 RECEPT.		
	SUB LIGHTING 3-B2		20	1	15		1,000		16	1	20		BASIN 4 SLIDE GATE		
	SUB LIGHTING 3-B3		20	1	17			1,000	18	1	20		SUMP PUMP 4A		
	BASIN 3 RECEPT.		20	1	19	500			20	1	20		SUMP PUMP 4B		
	BASIN 3 SLIDE GATE		20	1	21		500		22	1	20		BASIN 2 BALLARDS		
	SUMP PUMP 3A		20	1	23			1,180	24	1	20		BASIN 3 BALLARDS	SEE NOTE 1	
	SUMP PUMP 3B		20	1	25	1,180			26	1			SPACE		
	HT-3501		20	1	27		960		28	1			SPACE		
	HT-3502		20	1	29			960	30	1			SPACE		
	HT-3503		20	1	31	960			32	1			SPACE		
	HT-3504		20	1	33		960		34	1			SPACE		
	SPACE			1	35				36	1			SPACE		
	SPACE			1	37				38	1			SPACE		
	SPACE			1	39				40	1			SPACE		
	SPACE			1	41				42	1			SPACE		
TOTAL						4,640	4,420	4,140	3,680	2,500	3,180	TOTAL			
PHASE TOTAL						8,320	6,920	7,320	TOTAL LOAD (VA)			22,560			
TOTAL LOAD (A)									TOTAL LOAD (A)			63			

MODIFICATION (MODS) LEGEND:
 EPD - GROUND FAULT CIRCUIT INTERRUPTER (30mA)
 GFCl - GROUND FAULT CIRCUIT INTERRUPTER (5mA)
 LOD - LOCK-ON DEVICE
 LFD - LOCK-OFF DEVICE

NOTES:
22KAIC

File: C:\USERS\NINELSON\ACCD\Hazen\WTP_REHAB_FILTER_BASINPROJECT FILES\00_ELECTRICAL\E7008 Saved by NINELSON Save date: 10/02/2024 1:46 PM
 PLOT DATE: 11/19/2024 1:49 PM BY: NINELSON

GMP SUBMITTAL. DO NOT USE FOR CONSTRUCTION.

PROJECT MANAGER:	T. HUDSON
DESIGNED BY:	N. NELSON
DRAWN BY:	N. NELSON
PROJECT ENGINEER:	B. BUELTEL
IF THIS BAR DOES NOT MEASURE 1" THEN DRAWING IS NOT TO FULL SCALE	0 1/2" 1"



Hazen
 HAZEN AND SAWYER
 8150 N. CENTRAL EXPRESSWAY
 TOWER II - SUITE 700
 DALLAS, TEXAS 75206

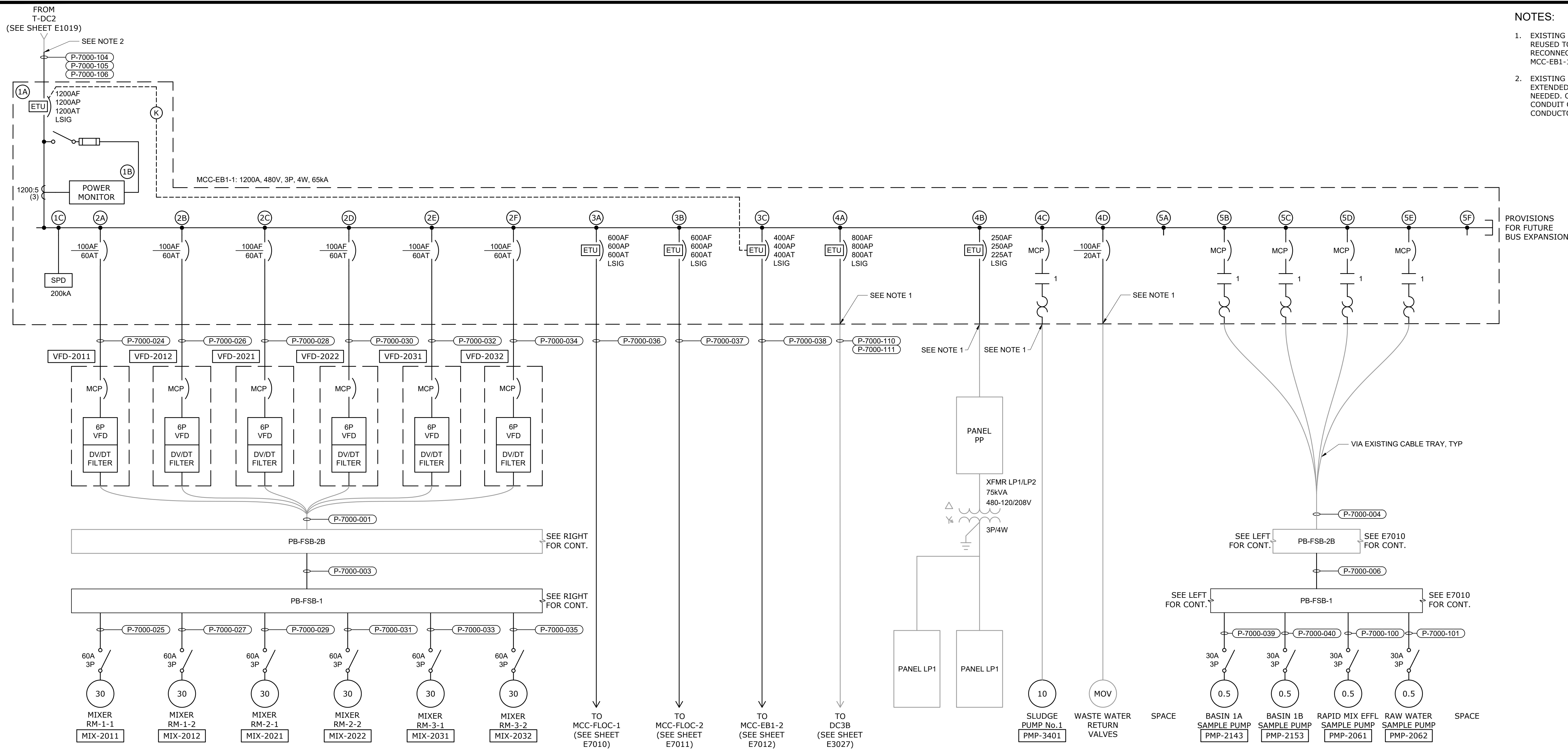
CENTRAL ARKANSAS WATER
 LITTLE ROCK, ARKANSAS
 JACK H. WILSON WTP RENEWAL AND
 RESILIENCY PROJECT

ELECTRICAL BUILDING NO. 1
 ELECTRICAL
 DEMOLITION PANEL SCHEDULES

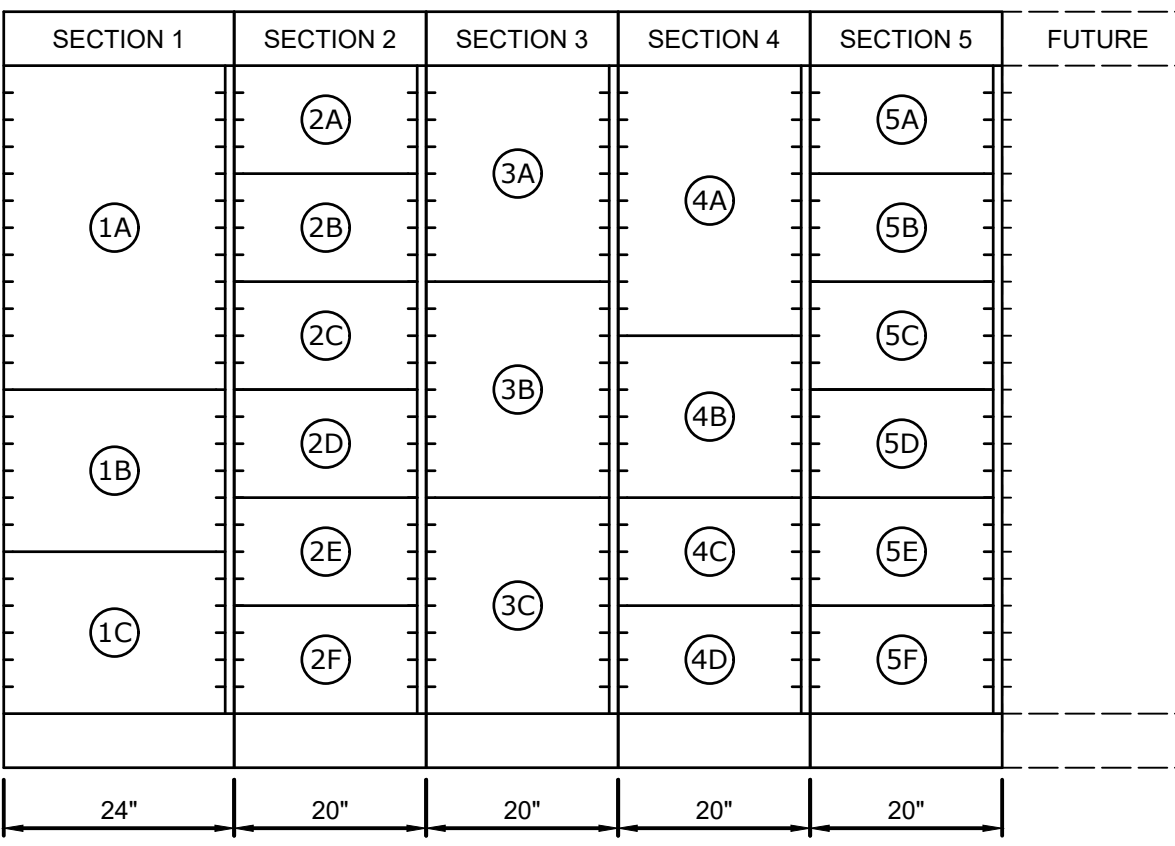
DATE:	NOVEMBER 2024
HAZEN NO.:	60711-003
CONTRACT NO.:	1
DRAWING NUMBER:	E7008

NOTES:

- EXISTING CONDUCTORS AND CONDUIT TO BE REUSED TO POWER EXISTING EQUIPMENT. RECONNECT EXISTING CONDUCTORS TO NEW MCC-EB1-1 VIA CABLE TRAY.
- EXISTING MCC STUB-UPS SHALL BE USED AND EXTENDED TO NEW MCC STUB-UP LOCATION AS NEEDED. CONTRACTOR TO FIELD VERIFY EXISTING CONDUIT CONDITIONS BEFORE PULLING NEW CONDUCTORS.



MCC-EB1-1
SINGLE-LINE DIAGRAM



MCC-EB1-1 ELEVATION
N.T.S.

GMP SUBMITTAL. DO NOT USE FOR CONSTRUCTION.

File: C:\USERS\NINELSON\Documents\HAZEN AND SAWYER\60711-001_WILSON_WTP_REHAB_FILTER_BASINPROJECT FILES\900_ELECTRICAL\E7009_Saved by NINELSON.dwg Date: 11/14/2024 4:31 PM
 PLOT DATE: 11/19/2024 1:59 PM BY: NINELSON

REV	ISSUED FOR	DATE	BY

PROJECT MANAGER:	T. HUDSON
DESIGNED BY:	N. NELSON
DRAWN BY:	N. NELSON
PROJECT ENGINEER:	B. BUELTEL
IF THIS BAR DOES NOT MEASURE 1" THEN DRAWING IS NOT TO FULL SCALE	
0	1/2" 1"



Hazen
HAZEN AND SAWYER
8150 N. CENTRAL EXPRESSWAY
TOWER II - SUITE 700
DALLAS, TEXAS 75206

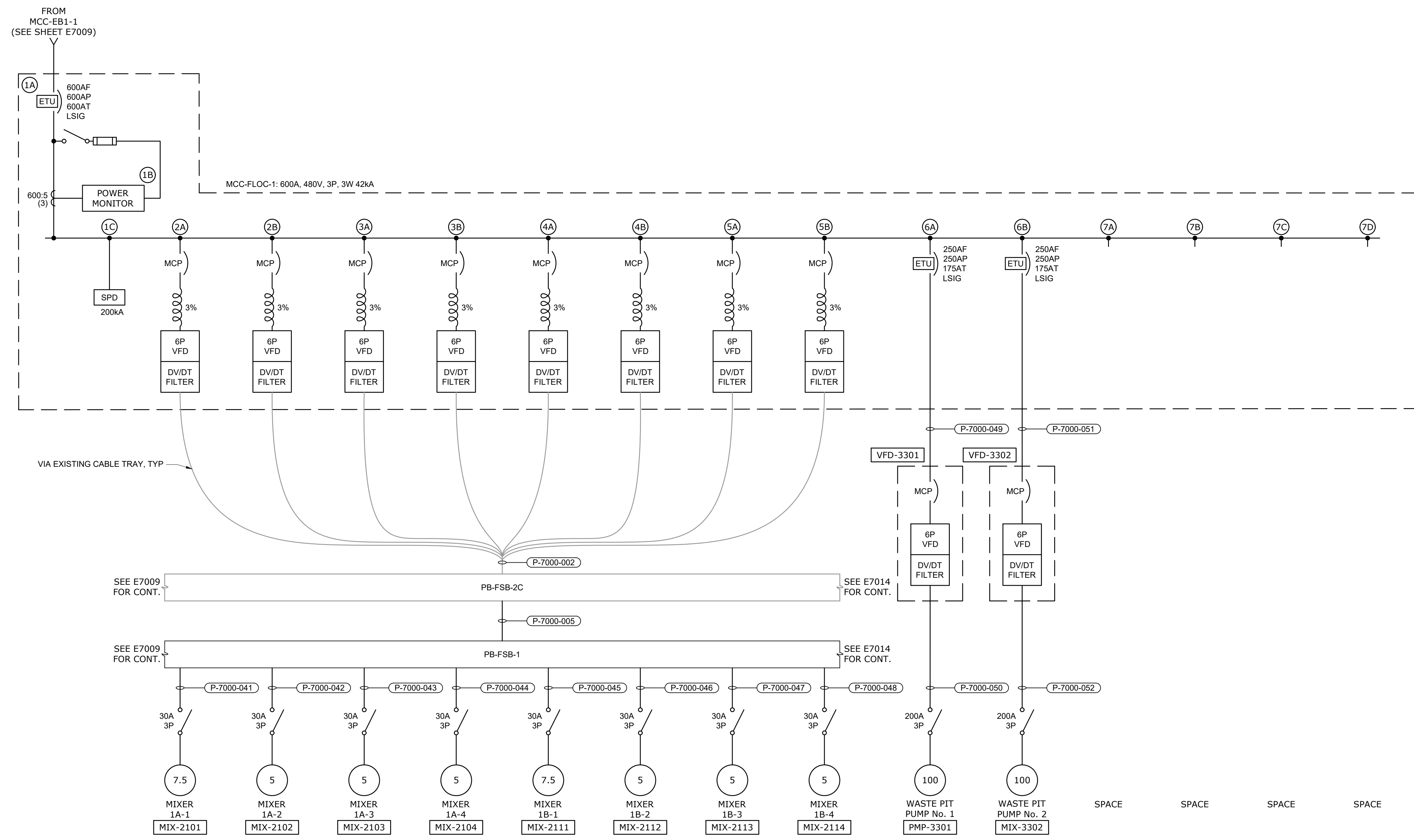
CENTRAL ARKANSAS WATER
LITTLE ROCK, ARKANSAS

JACK H. WILSON WTP RENEWAL AND
RESILIENCY PROJECT

ELECTRICAL BUILDING NO. 1
ELECTRICAL
MCC-EB1-1 SINGLE-LINE DIAGRAM AND
ELEVATION

DATE:	NOVEMBER 2024
HAZEN NO.:	60711-003
CONTRACT NO.:	1
DRAWING NUMBER:	E7009

File: C:\USERS\NINELSON\Documents\HAZEN AND SAWYER\60711-001_WILSON_WTP_REHAB_FILTER_BASIN\PROJECT FILES\900_ELECTRICAL\E7010_Saved by SCHAVEZ.Save date: 11/13/2024 4:18 PM
 PLOT DATE: 11/19/2024 1:50 PM BY: NINELSON



MCC-FLOC-1
SINGLE-LINE DIAGRAM

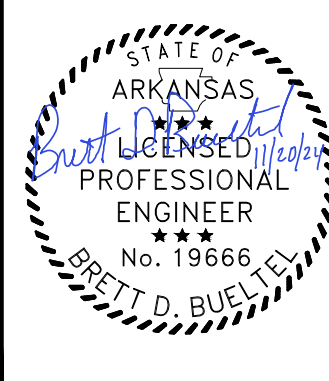
SECTION 1	SECTION 2	SECTION 3	SECTION 4	SECTION 5	SECTION 6	SECTION 7
1A	2A	3A	4A	5A	6A	7A
1B	2B	3B	4B	5B	6B	7B
1C						7C
						7D
20"	20"	20"	20"	20"	20"	20"

MCC-FLOC-1 ELEVATION
N.T.S.

GMP SUBMITTAL. DO NOT USE FOR CONSTRUCTION.

REV	ISSUED FOR	DATE	BY

PROJECT MANAGER:	T. HUDSON
DESIGNED BY:	N. NELSON
DRAWN BY:	N. NELSON
PROJECT ENGINEER:	B. BUELTEL

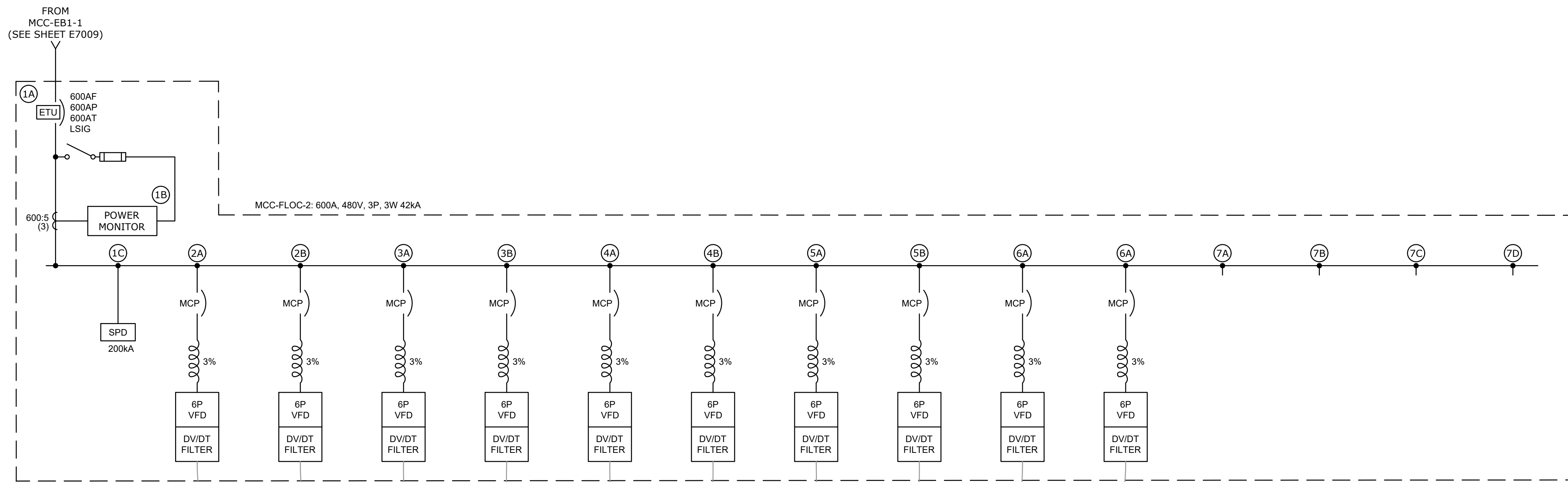


Hazen
 HAZEN AND SAWYER
 8150 N. CENTRAL EXPRESSWAY
 TOWER II - SUITE 700
 DALLAS, TEXAS 75206

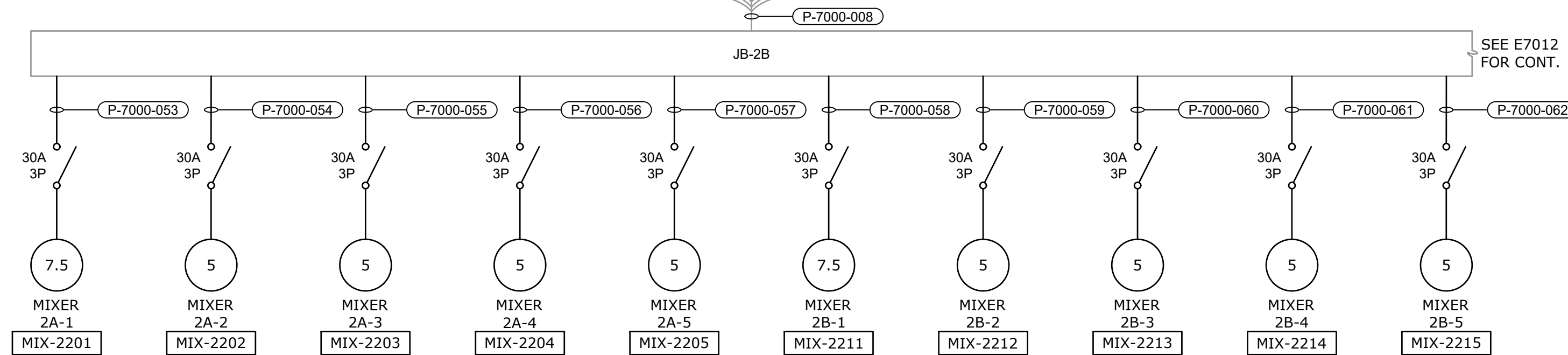
CENTRAL ARKANSAS WATER
 LITTLE ROCK, ARKANSAS
 JACK H. WILSON WTP RENEWAL AND
 RESILIENCY PROJECT

ELECTRICAL BUILDING NO. 1
 ELECTRICAL
 MCC-FLOC-1 SINGLE-LINE DIAGRAM AND
 ELEVATION

DATE:	NOVEMBER 2024
HAZEN NO.:	60711-003
CONTRACT NO.:	1
DRAWING NUMBER:	E7010



VIA EXISTING CABLE TRAY, TYP



SECTION 1	SECTION 2	SECTION 3	SECTION 4	SECTION 5	SECTION 6	SECTION 7
1A	2A	3A	4A	5A	6A	7A
1B						7B
1C	2B	3B	4B	5B	6B	7C
						7D
20"	20"	20"	20"	20"	20"	20"

MCC-FLOC-2 ELEVATION

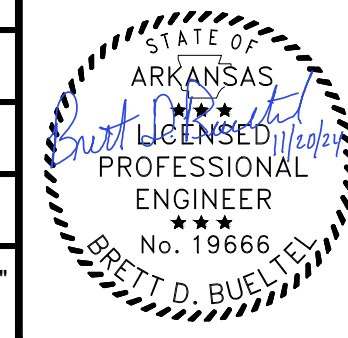
N.T.S.

MCC-FLOC-2
SINGLE-LINE DIAGRAM

File: C:\USERS\NINELSON\DRAWING\HAZEN AND SAWYER\PROJECT FILES\900_ELECTRICAL\E7011 Saved by NINELSON Save date: 10/02/2024 1:48 PM PLOT DATE: 11/19/2024 1:50 PM BY: NINELSON

REV	ISSUED FOR	DATE	BY

PROJECT MANAGER:	T. HUDSON
DESIGNED BY:	N. NELSON
DRAWN BY:	N. NELSON
PROJECT ENGINEER:	B. BUELTEL
IF THIS BAR DOES NOT MEASURE 1" THEN DRAWING IS NOT TO FULL SCALE	0 1/2" 1"



Hazen

HAZEN AND SAWYER
8150 N. CENTRAL EXPRESSWAY
TOWER II - SUITE 700
DALLAS, TEXAS 75206

CENTRAL ARKANSAS WATER
LITTLE ROCK, ARKANSAS

JACK H. WILSON WTP RENEWAL AND
RESILIENCY PROJECT

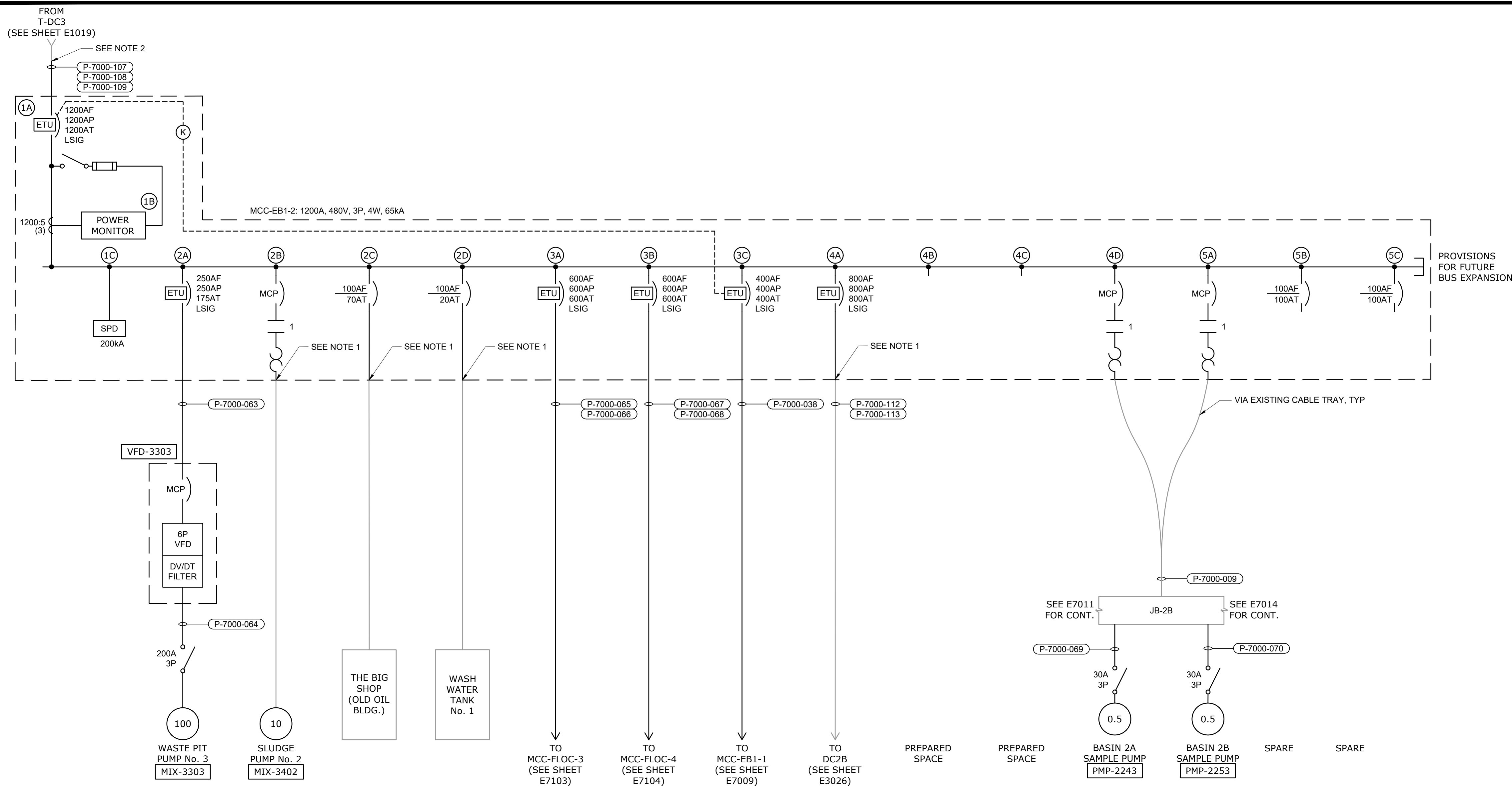
ELECTRICAL BUILDING NO. 1
ELECTRICAL
MCC-FLOC-2 SINGLE-LINE DIAGRAM AND
ELEVATION

GMP SUBMITTAL. DO NOT USE FOR CONSTRUCTION.

DATE:	NOVEMBER 2024
HAZEN NO.:	60711-003
CONTRACT NO.:	1
DRAWING NUMBER:	E7011

NOTES:

- EXISTING CONDUCTORS AND CONDUIT TO BE REUSED TO POWER EXISTING EQUIPMENT. RECONNECT EXISTING CONDUCTORS TO NEW MCC-EB1-2 VIA CABLE TRAY.
- EXISTING MCC STUB-UPS SHALL BE USED AND EXTENDED TO NEW MCC STUB-UP LOCATION AS NEEDED. CONTRACTOR TO FIELD VERIFY EXISTING CONDUIT CONDITIONS BEFORE PULLING NEW CONDUCTORS.



MCC-EB1-2
SINGLE-LINE DIAGRAM

SECTION 1	SECTION 2	SECTION 3	SECTION 4	SECTION 5	FUTURE
1A	2A	3A	4A	5A	
				5B	
				5C	
1B	2B	3B	4B		
				5D	
1C	2C	3C	4C		
				5E	
	2D		4D		
24"	20"	20"	20"	20"	

MCC-EB1-2 ELEVATION
N.T.S.

GMP SUBMITTAL. DO NOT USE FOR CONSTRUCTION.

REV	ISSUED FOR	DATE	BY

PROJECT MANAGER:	T. HUDSON
DESIGNED BY:	N. NELSON
DRAWN BY:	N. NELSON
PROJECT ENGINEER:	B. BUELTEL
IF THIS BAR DOES NOT MEASURE 1" THEN DRAWING IS NOT TO FULL SCALE	
0	1/2" 1"



Hazen
HAZEN AND SAWYER
8150 N. CENTRAL EXPRESSWAY
TOWER II - SUITE 700
DALLAS, TEXAS 75206

CENTRAL ARKANSAS WATER
LITTLE ROCK, ARKANSAS
JACK H. WILSON WTP RENEWAL AND
RESILIENCY PROJECT

ELECTRICAL BUILDING NO. 1
ELECTRICAL
MCC-EB1-2 SINGLE-LINE DIAGRAM AND
ELEVATION

DATE:	NOVEMBER 2024
HAZEN NO.:	60711-003
CONTRACT NO.:	1
DRAWING NUMBER:	E7012

File: C:\USERS\NNELSON\DRAWING\HAZEN AND SAWYER\60711-001_WILSON_WTP_FILTER_BASINPROJECT FILES\00_ELECTRICAL\E7012 Saved by NNELSON Save date: 11/15/2024 2:26 PM PLOT DATE: 11/19/2024 1:50 PM BY: NNELSON

NOTES:

- LIGHTING CIRCUIT SHALL BE 2#12, #12GND IN 3/4" CONDUIT AT BASIN. ROUTE CIRCUIT THROUGH PB-FSB-2B TO PB-FSB-1.
- LIGHTING CIRCUIT SHALL BE 2#12, #12GND IN 3/4" CONDUIT AT BASIN. ROUTE CIRCUIT TO JB-2B.
- PANEL TOTAL LOAD IS NEW LOAD ADDED TO PANEL. REFER TO DEMOLITION PANEL SCHEDULES FOR ESTIMATED EXISTING TOTAL LOAD
- CONTRACTOR SHALL UPDATE EXISTING PANEL PP SCHEDULE TO REFLECT CHANGES SHOWN.
- CONTRACTOR SHALL UPDATE EXISTING PANEL LP2 SCHEDULE TO REFLECT CHANGES SHOWN.

480/277 VOLTS 3 PHASE, 4 WIRE				PANEL PP MAIN BREAKER 225A 3P				TYPE: NEMA 1 MOUNT: SURFACE							
MODS	DESCRIPTION	WIRE	TRIP	POLE	CKT No.	VOLT-AMPERES			CKT No.	POLE	TRIP	WIRE	DESCRIPTION	MODS	
						A	B	C							
	SURGE PROTECTIVE DEVICE		60	3	1	0			2	1	20		AREA LIGHTING 1		
					3				4	1	20		AREA LIGHTING 2		
					5			0	6	1	20		SPARE		
	AHU-7001	P-7000-084	20	3	7	3,550			8	1	20		SPARE		
					9		3,550		10	1	20		BOLLARD BASIN 1		
					11			3,550	12	1	20		BOLLARD BASIN 2		
	SPARE		20	3	13	0			14	1	20		SPARE		
					15		0		16	1	20		SPARE		
					17			0	18						
	SPARE		40	3	19	0			20	3	30		UNKNOWN		
					21		0		22						
					23			0	24	1			SPACE		
					25				26	1			SPACE		
	XFMR-LP1/LP2 75 kva		125	3	27				28	1			SPACE		
					29				30	1			SPACE		
	SPACE			1	31				32	1			SPACE		
	SPACE			1	33				34	1			SPACE		
	SPACE			1	35				36	1			SPACE		
	SPACE			1	37				38	1			SPACE		
	SPACE			1	39				40	1			SPACE		
	SPACE			1	41				42	1			SPACE		
TOTAL						3,550	3,550	3,550	0	0	0	TOTAL			
PHASE TOTAL						3,550	3,550	3,550	TOTAL LOAD (VA)						
						10,650									
						TOTAL LOAD (A)									
						13									

MODIFICATION (MODS) LEGEND:
 EPD - GROUND FAULT CIRCUIT INTERRUPTER (30mA)
 GFCI - GROUND FAULT CIRCUIT INTERRUPTER (5mA)
 LOD - LOCK-ON DEVICE
 LFD - LOCK-OFF DEVICE

NOTES:
22KAIC

208/120 VOLTS 3 PHASE, 4 WIRE				PANEL LP2 MAIN BREAKER 125A 3P				TYPE: NEMA 1 MOUNT: SURFACE							
MODS	DESCRIPTION	WIRE	TRIP	POLE	CKT No.	VOLT-AMPERES			CKT No.	POLE	TRIP	WIRE	DESCRIPTION	MODS	
						A	B	C							
	SURGE PROTECTIVE DEVICE		60	3	1	-			2	1	20	P-7000-074	VCP-2120		
					3				4	1	20	P-7000-079	VCP-2130		
					5				6	1	20	P-7000-087	VCP-2220		
	HT-RM-1	P-7000-071	20	1	7	1,000			8	1	20	P-7000-092	VCP-2230		
	RAPID MIX LTG.	SEE NOTE 1	20	1	9		280		10	1	20	SEE NOTE 2	BASIN 2 RECEPT.		
	RAPID MIX RECEPT.	SEE NOTE 1	20	1	11			720	12	1	20	SEE NOTE 2	SLUDGE VAULTS BASIN 2 LTG.		
	BASIN 1 RECEPT.	SEE NOTE 1	20	1	13	900			14	1	20	P-7000-086	AIT-2200		
	SLUDGE VAULTS BASIN 1 LTG.	SEE NOTE 1	20	1	15		150		16	1	20	P-7000-085	AIT-2210		
	AIT-2100	P-7000-072	20	1	17			100	18	1	20		SPARE		
	AIT-2110	P-7000-073	20	1	19	100			20	1	20		SPARE		
	HT-RM-2	P-7000-098	20	1	21		1,000		22	1	20		BASIN 2 BOLLARDS		
	HT-WP-1	P-7000-099	20	1	23			1,000	24	1	20		SPARE		
	SPARE		20	1	25				26	1	30	P-7000-114	HTCP-3300-1	EPD	
	HT-3501		20	1	27				28	1	30	P-7000-118	HTCP-2100-1	EPD	
	HT-3502		20	1	29				30	1	30	P-7000-119	HTCP-2100-2	EPD	
	HT-3503		20	1	31				32	1	30	P-7000-120	HTCP-2100-3	EPD	
	HT-3504		20	1	33				34	1			SPACE		
	SPACE			1	35				36	1			SPACE		
	SPACE			1	37				38	1			SPACE		
	SPACE			1	39				40	1			SPACE		
	SPACE			1	41				42	1			SPACE		
TOTAL						2,000	1,430	1,820	3,160	2,710	1,680	TOTAL			
PHASE TOTAL						5,160	4,140	3,500	TOTAL LOAD (VA)						
						12,800									
						TOTAL LOAD (A)									
						36									

MODIFICATION (MODS) LEGEND:
 EPD - GROUND FAULT CIRCUIT INTERRUPTER (30mA)
 GFCI - GROUND FAULT CIRCUIT INTERRUPTER (5mA)
 LOD - LOCK-ON DEVICE
 LFD - LOCK-OFF DEVICE

NOTES:
22KAIC

GMP SUBMITTAL. DO NOT USE FOR CONSTRUCTION.

PROJECT MANAGER:	T. HUDSON
DESIGNED BY:	N. NELSON
DRAWN BY:	N. NELSON
PROJECT ENGINEER:	B. BUELTEL
IF THIS BAR DOES NOT MEASURE 1" THEN DRAWING IS NOT TO FULL SCALE	0 1/2" 1"

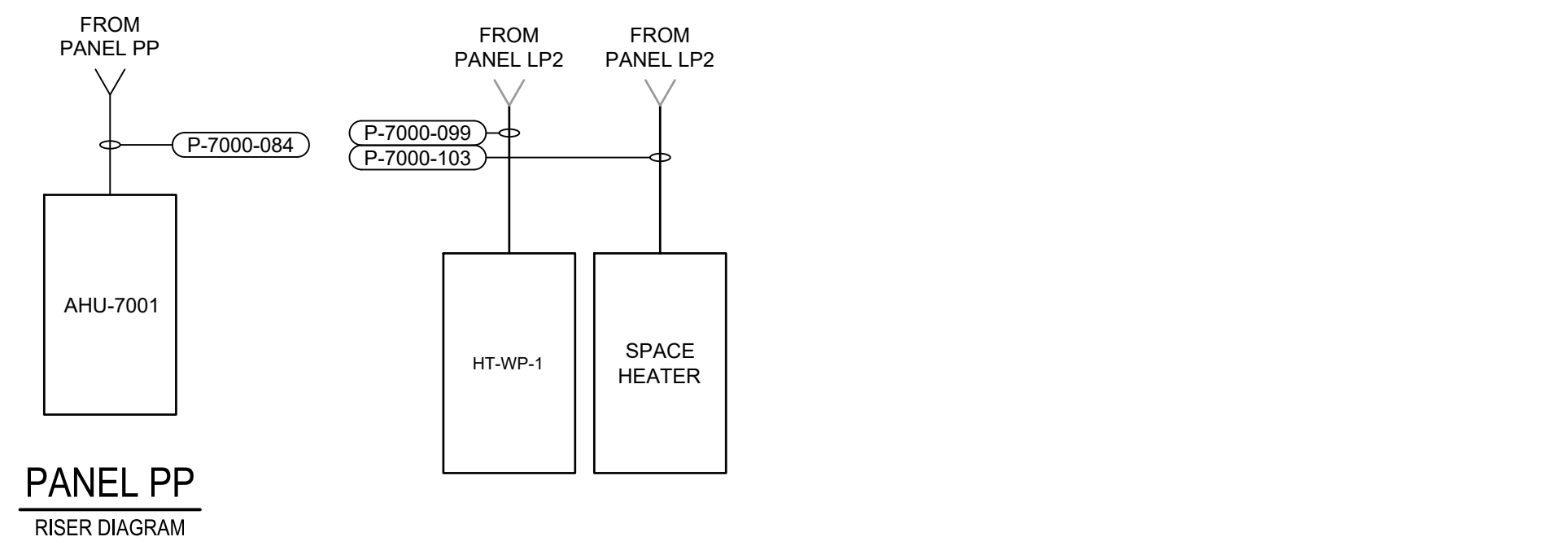


CENTRAL ARKANSAS WATER
LITTLE ROCK, ARKANSAS

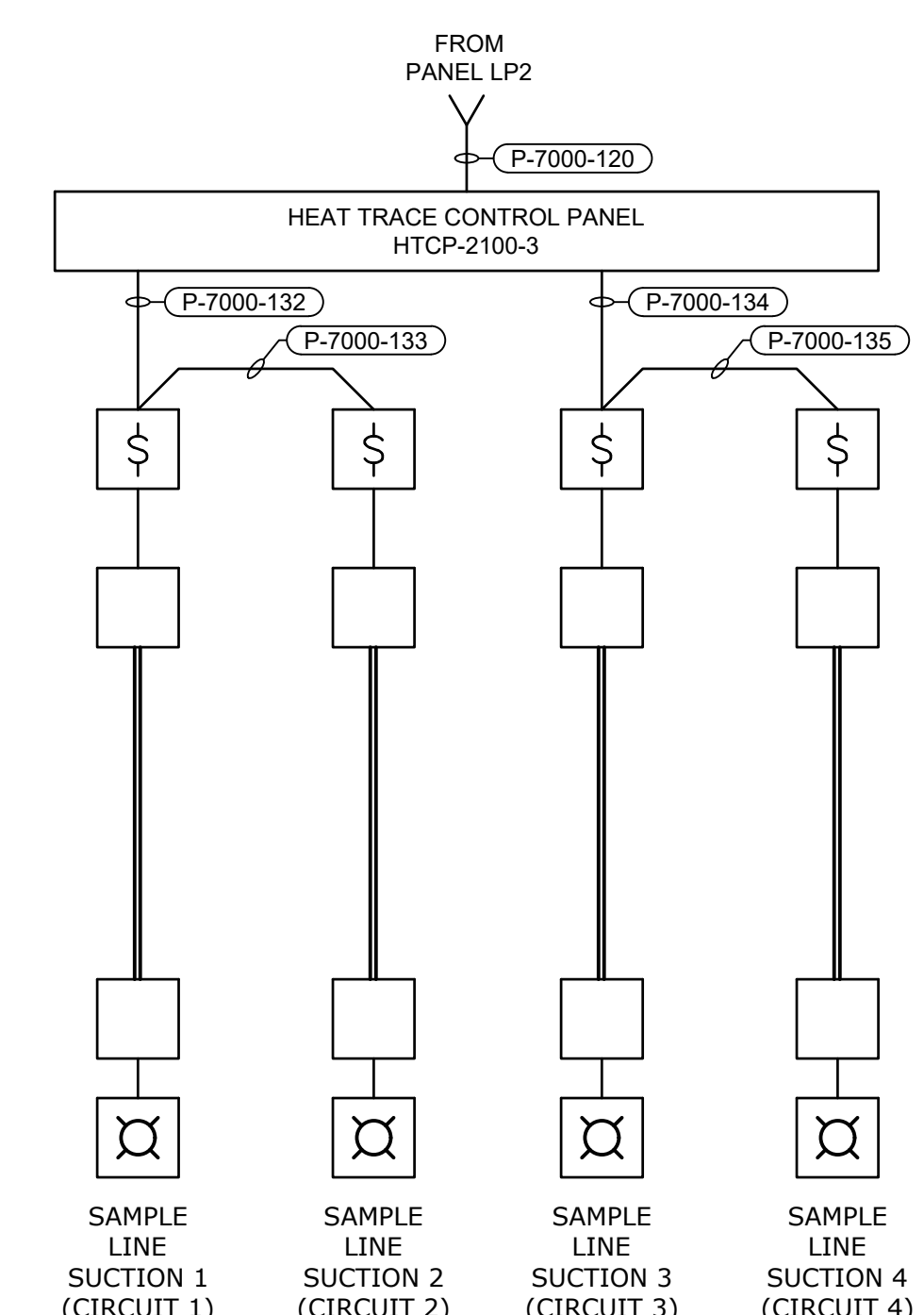
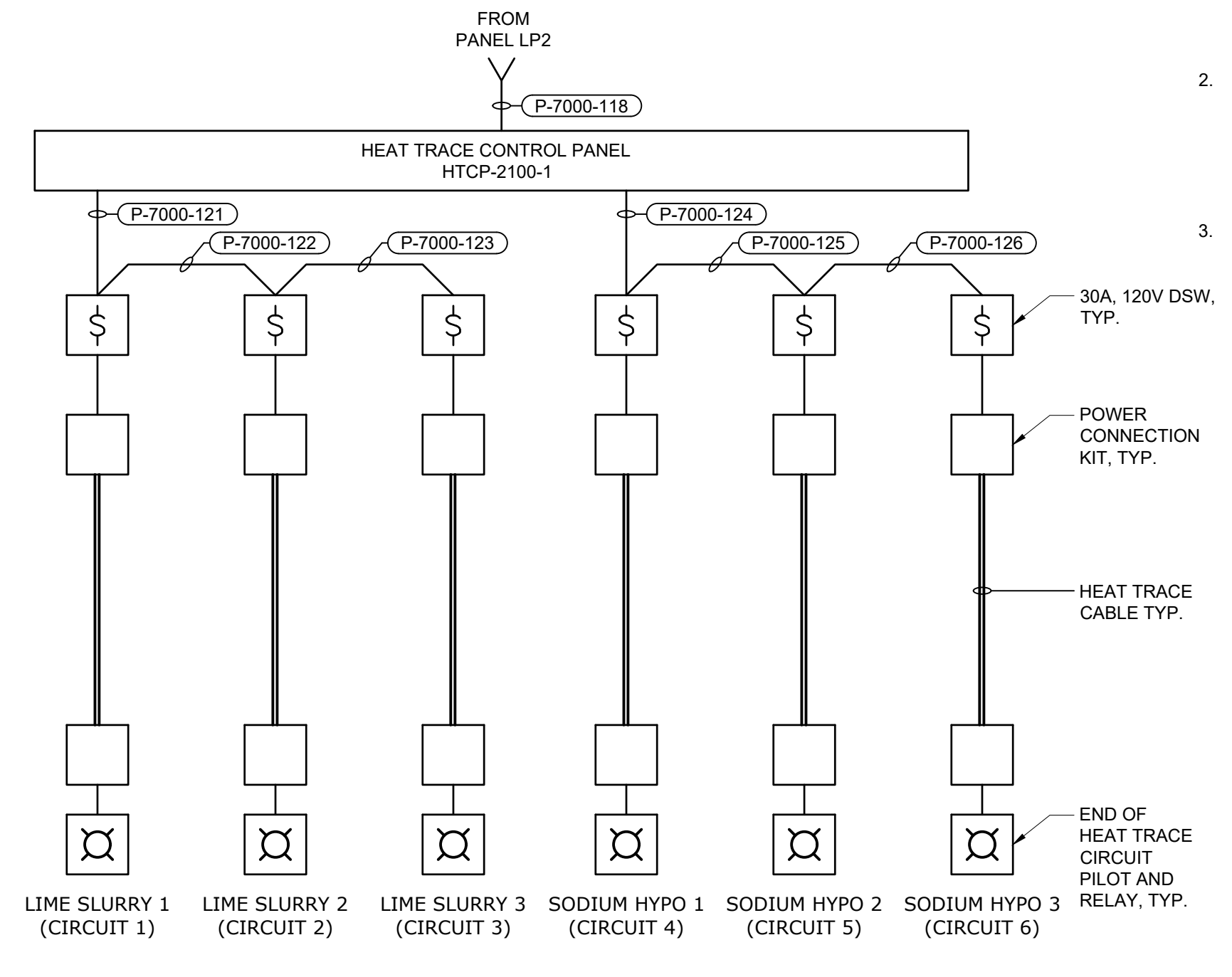
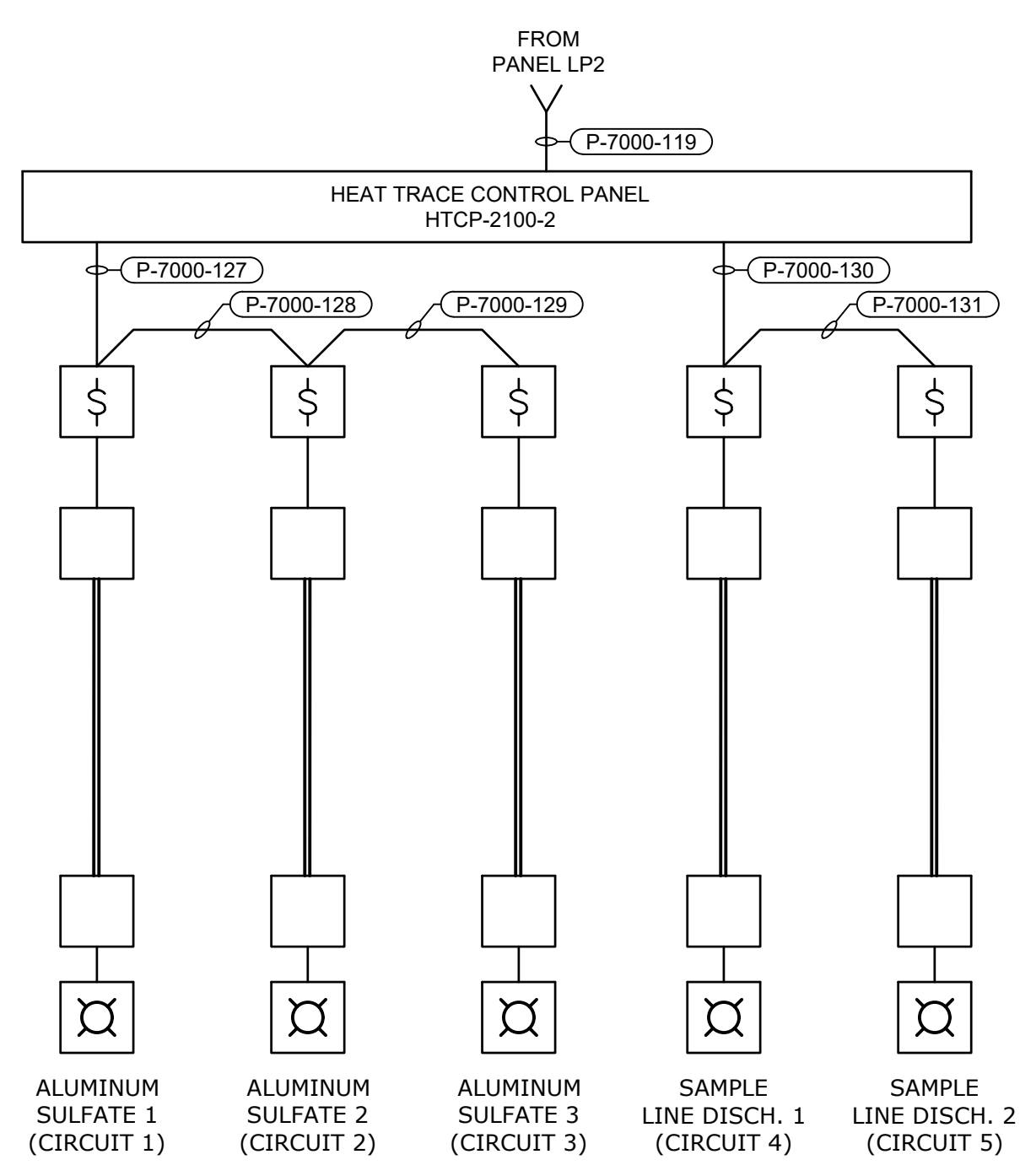
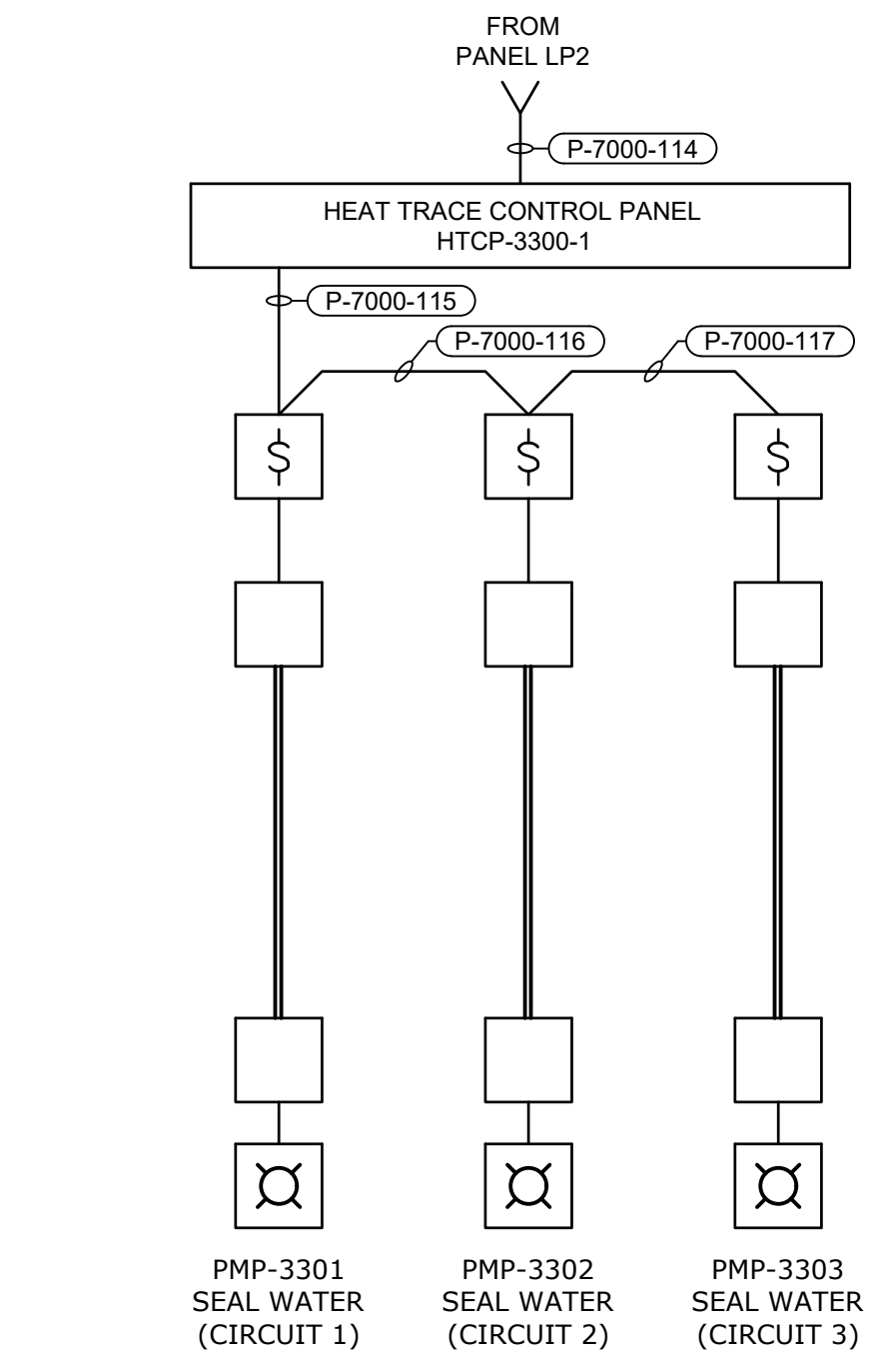
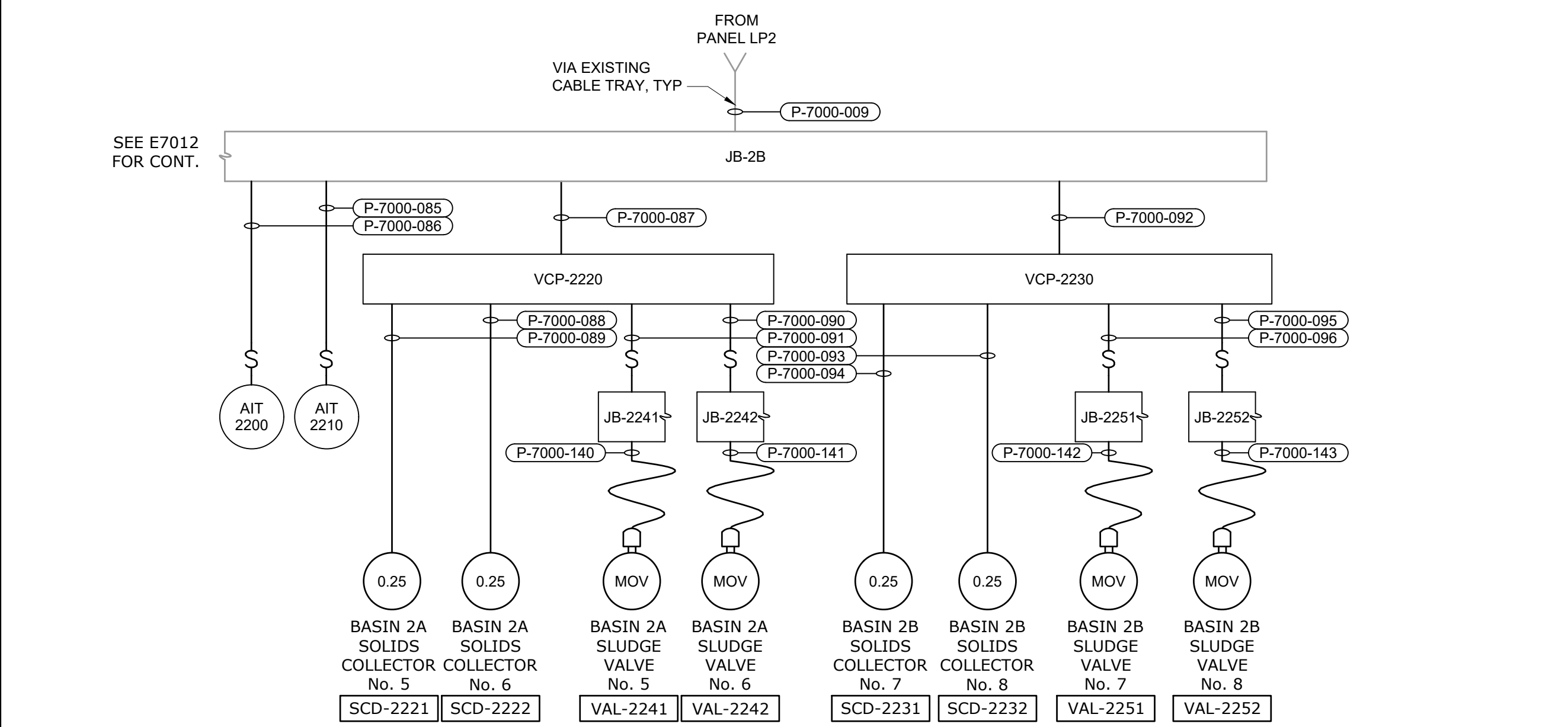
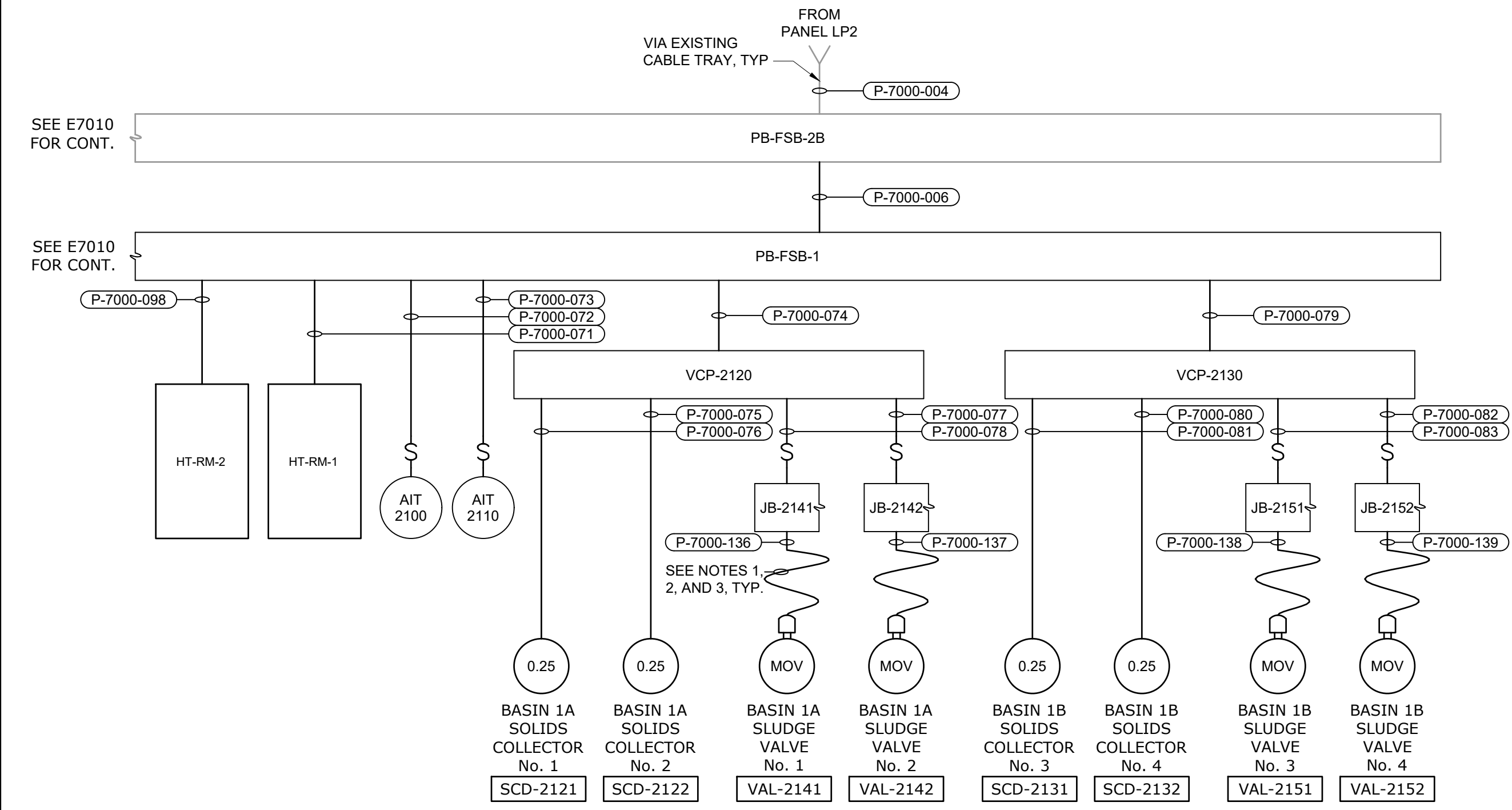
JACK H. WILSON WTP RENEWAL AND
RESILIENCY PROJECT

ELECTRICAL BUILDING NO. 1
ELECTRICAL
EXISTING PANEL SCHEDULES

DATE:	NOVEMBER 2024
HAZEN NO.:	60711-003
CONTRACT NO.:	1
DRAWING NUMBER:	E7013



PANEL PP
RISER DIAGRAM



PANEL LP2
RISER DIAGRAM

- NOTES:**
1. PROVIDE FLEXIBLE POWER PIGTAIL CORD AND PLUG AS SPECIFIED IN SECTION 26 05 19. TERMINATE CONDUCTORS IN JUNCTION BOX WITH TERMINAL STRIPS. INSTALL MINI CHANGE, A-SIZE 3 POLE, FEMALE RECEPTACLE INTO CONDUIT HUB ON MOTOR ACTUATOR FOR POWER CONNECTION.
 2. PROVIDE FLEXIBLE CONTROLS PIGTAIL CORD AND PLUG AS SPECIFIED IN SECTION 26 05 19. TERMINATE CONDUCTORS IN JUNCTION BOX WITH TERMINAL STRIPS. INSTALL MINI CHANGE, C-SIZE 10 POLE, MALE RECEPTACLE INTO CONDUIT HUB ON MOTOR ACTUATOR FOR CONTROLS CONNECTION.
 3. POWER AND CONTROLS WIRING SHALL TERMINATE IN SAME JUNCTION BOX. PIGTAIL CORDS FOR BOTH POWER AND CONTROLS FROM JUNCTION BOX TO ACTUATOR SHALL BE RAN IN SAME CONDUIT. SEE SHEET E7015 FOR CONTROLS CONNECTION FROM CP-WIL-EB1 TO JUNCTION BOX.

30A, 120V DSW, TYP.
POWER CONNECTION KIT, TYP.
HEAT TRACE CABLE TYP.
END OF HEAT TRACE CIRCUIT PILOT AND RELAY, TYP.

File: C:\USERS\NINELSON\ACCD\HAZEN AND SAWYER\PROJECT FILES\900_ELECTRICAL\E7014_Saved by NINELSON.dwg Date: 11/15/2024 1:51 PM
PLOT DATE: 11/19/2024 1:50 PM BY: NINELSON

REV	ISSUED FOR	DATE	BY

PROJECT MANAGER:	T. HUDSON
DESIGNED BY:	N. NELSON
DRAWN BY:	N. NELSON
PROJECT ENGINEER:	B. BUELTEL
IF THIS BAR DOES NOT MEASURE 1" THEN DRAWING IS NOT TO FULL SCALE	



Hazen
HAZEN AND SAWYER
8150 N. CENTRAL EXPRESSWAY
TOWER II - SUITE 700
DALLAS, TEXAS 75206

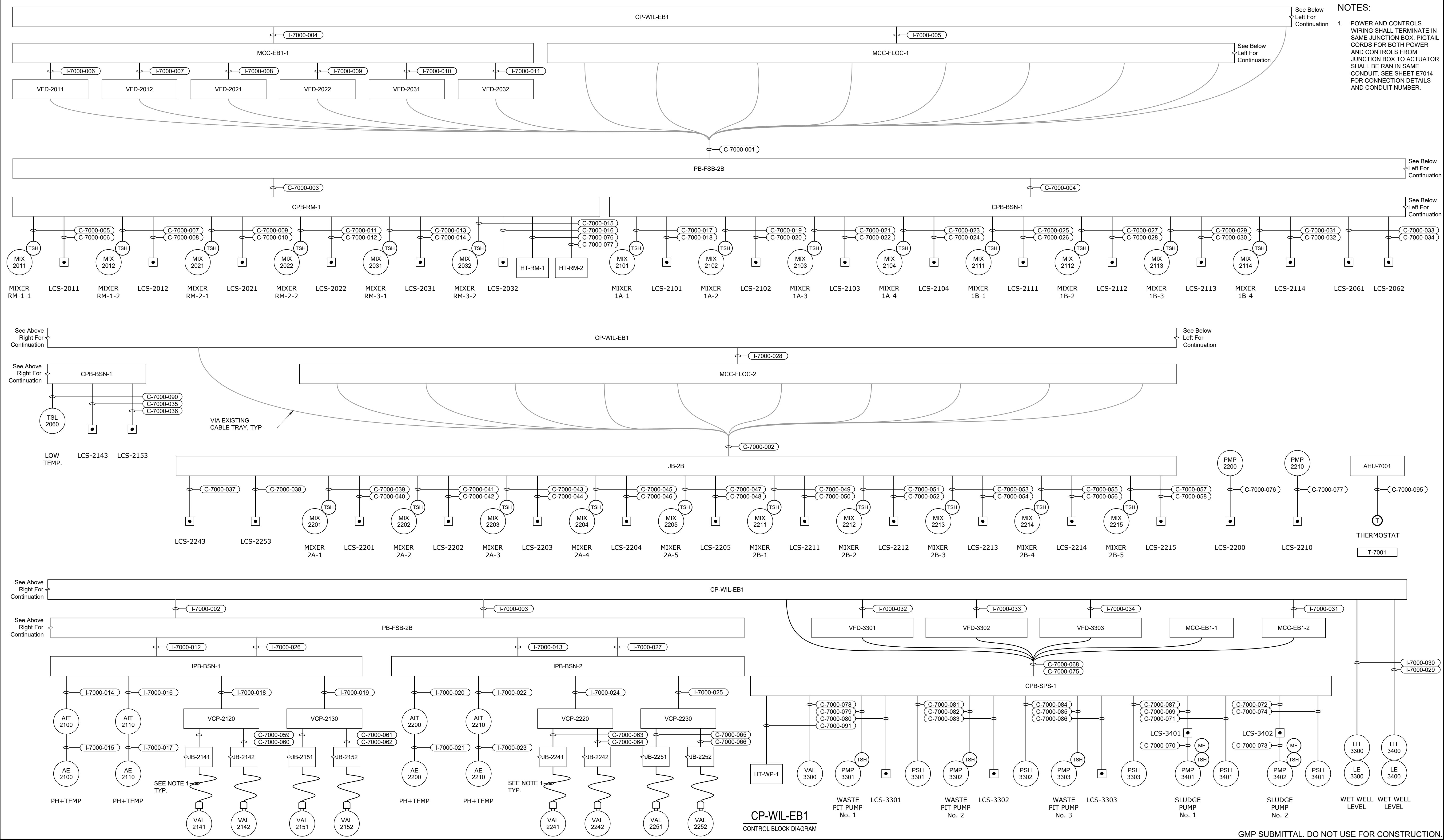
CENTRAL ARKANSAS WATER
LITTLE ROCK, ARKANSAS
JACK H. WILSON WTP RENEWAL AND
RESILIENCY PROJECT

ELECTRICAL BUILDING NO. 1
ELECTRICAL
RISER DIAGRAMS

DATE:	NOVEMBER 2024
HAZEN NO.:	60711-003
CONTRACT NO.:	1
DRAWING NUMBER:	E7014

GMP SUBMITTAL. DO NOT USE FOR CONSTRUCTION.

NOTES:
 1. POWER AND CONTROLS WIRING SHALL TERMINATE IN SAME JUNCTION BOX. PIGTAIL CORDS FOR BOTH POWER AND CONTROLS FROM JUNCTION BOX TO ACTUATOR SHALL BE RAN IN SAME CONDUIT. SEE SHEET E7014 FOR CONNECTION DETAILS AND CONDUIT NUMBER.



CP-WIL-EB1
CONTROL BLOCK DIAGRAM

GMP SUBMITTAL. DO NOT USE FOR CONSTRUCTION.

File: C:\USERS\NINELSON\ACC\DCS\HAZEN AND SAWYER\60711-001_WILSON_WTP_REHAB_FILTER_BASINPROJECT FILES\900_ELECTRICAL\7015 Saved by NINELSON Save date: 11/15/2024 1:52 PM
 PLOT DATE: 11/19/2024 1:50 PM BY: NINELSON

REV	ISSUED FOR	DATE	BY

PROJECT MANAGER:	T. HUDSON
DESIGNED BY:	N. NELSON
DRAWN BY:	N. NELSON
PROJECT ENGINEER:	B. BUELTEL
IF THIS BAR DOES NOT MEASURE 1" THEN DRAWING IS NOT TO FULL SCALE	



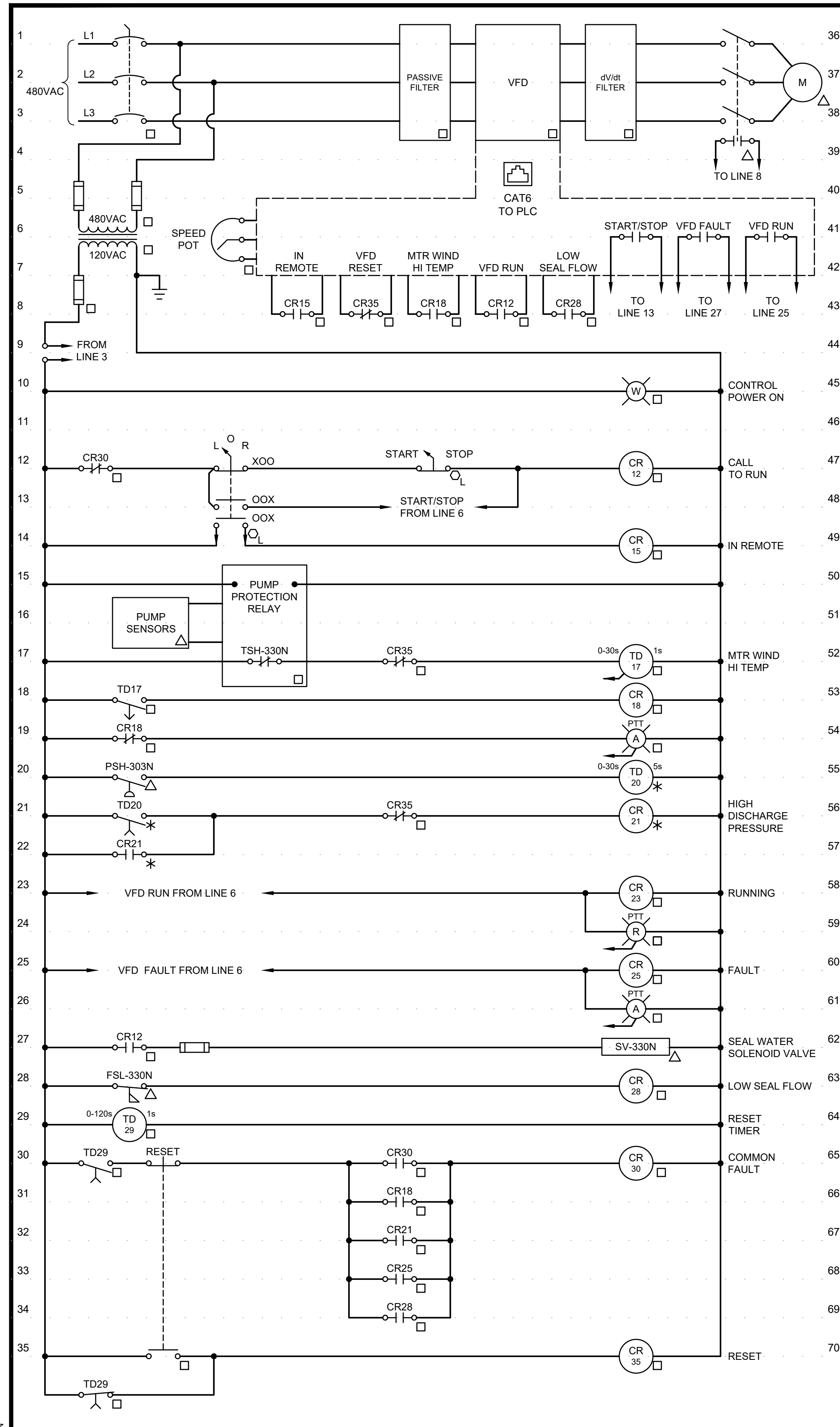
Hazen
 HAZEN AND SAWYER
 8150 N. CENTRAL EXPRESSWAY
 TOWER II - SUITE 700
 DALLAS, TEXAS 75206

CENTRAL ARKANSAS WATER
 LITTLE ROCK, ARKANSAS
 JACK H. WILSON WTP RENEWAL AND
 RESILIENCY PROJECT

ELECTRICAL BUILDING NO. 1
 ELECTRICAL
 CONTROL BLOCK DIAGRAM

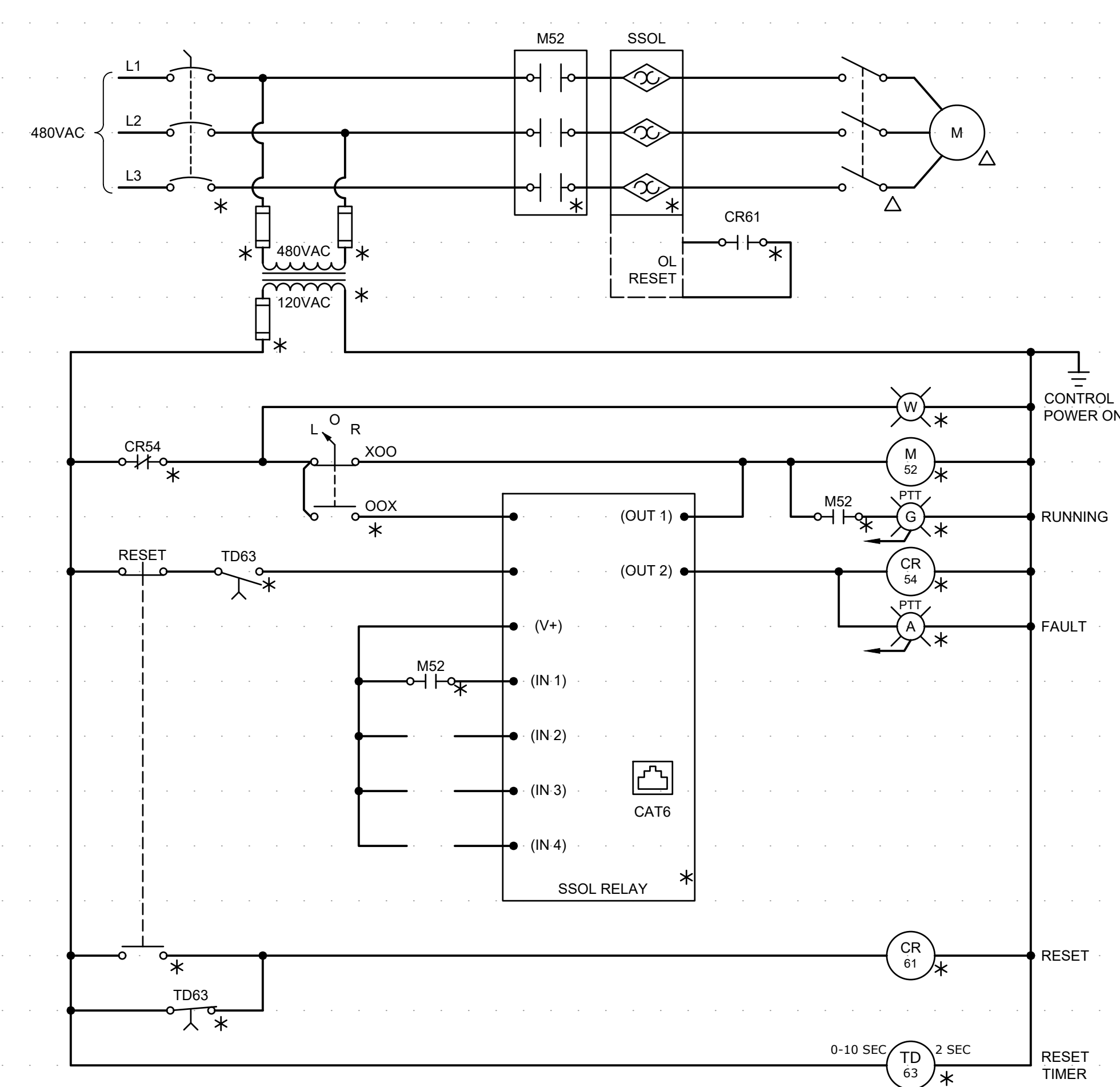
DATE:	NOVEMBER 2024
HAZEN NO.:	60711-003
CONTRACT NO.:	1
DRAWING NUMBER:	E7015

File: C:\USERS\NINNELSON\ACCD\CHAZEN AND SAWYER\60711-001_WILSON_WTP_REHAB_FILTER_BASINPROJECT FILES\00_ELECTRICAL\E7017 Saved by SCHAVEZ Save date: 11/14/2024 1:53 PM
 PLOT DATE: 11/19/2024 1:59 PM BY: NINNELSON



WASTE PIT PUMPS
ELEMENTARY CONTROL SCHEMATIC

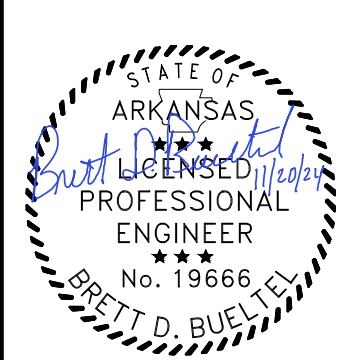
WASTE PIT PUMP NO. N (PMP-330N)	TSH-330N	PSH-330N	SV-330N	FSL-330N
WASTE PIT PUMP NO. 1 (PMP-3301)	TSH-3301	PSH-3301	SV-3301	FSL-3301
WASTE PIT PUMP NO. 2 (PMP-3302)	TSH-3302	PSH-3302	SV-3302	FSL-3302
WASTE PIT PUMP NO. 3 (PMP-3303)	TSH-3303	PSH-3303	SV-3303	FSL-3303



SLUDGE PUMP 2
ELEMENTARY CONTROL SCHEMATIC

REV	ISSUED FOR	DATE	BY

PROJECT MANAGER:	T. HUDSON
DESIGNED BY:	S. CHAVEZ
DRAWN BY:	S. CHAVEZ
PROJECT ENGINEER:	B. BUELTEL
IF THIS BAR DOES NOT MEASURE 1" THEN DRAWING IS NOT TO FULL SCALE	



Hazen
 HAZEN AND SAWYER
 8150 N. CENTRAL EXPRESSWAY
 TOWER II - SUITE 700
 DALLAS, TEXAS 75206

CENTRAL ARKANSAS WATER
 LITTLE ROCK, ARKANSAS

 JACK H. WILSON WTP RENEWAL AND
 RESILIENCY PROJECT

ELECTRICAL BUILDING NO. 1
 ELECTRICAL
 ELEMENTARY CONTROL SCHEMATICS

DATE:	NOVEMBER 2024
HAZEN NO.:	60711-003
CONTRACT NO.:	1
DRAWING NUMBER:	E7017

GMP SUBMITTAL. DO NOT USE FOR CONSTRUCTION.

File: C:\USERS\NINELSON\ACC\PROJECTS\HAZEN AND SAWYER\60711-001_WILSON_WTP_REHAB_FILTER_BASINPROJECT FILES\900_ELECTRICAL\7018_Saved by SCHAVEZ Save date: 11/18/2024 12:37 PM
PLOT DATE: 11/19/2024 1:50 PM BY: NINELSON

CONDUIT NO.	SIZE	FROM	TO	CONDUCTORS	REMARKS
P-7000-001	4"	VFD-2011, 2012, 2021, 2022, 2031, 2032	PB-FSB-2B	#6 VFD CABLE, #10GND	EXISTING CONDUIT, VIA CABLE TRAY
P-7000-002	4"	MCC-FLOC-1	PB-FSB-2B	8#12 VFD CABLE, #12GND	EXISTING CONDUIT, VIA CABLE TRAY
P-7000-003	4"	PB-FSB-2B	PB-FSB-1	6#8 VFD CABLE, #10GND	VIA WALKER DUCT
P-7000-004	2"	MCC-EB1-1, PANEL LP2	PB-FSB-2B	32#12, #12GND	EXISTING CONDUIT, VIA CABLE TRAY
P-7000-005	4"	PB-FSB-2B	PB-FSB-1	8#12 VFD CABLE, #12GND	VIA WALKER DUCT
P-7000-006	1-1/2"	PB-FSB-2B	PB-FSB-1	32#12, #12GND	VIA WALKER DUCT
P-7000-007	1"	-	-	-	EXISTING CONDUIT, SPARE
P-7000-008	4"	MCC-FLOC-2	JB-2B	10#12 VFD CABLE, #12GND	EXISTING CONDUIT, VIA CABLE TRAY, JB-2A, AND PB-FSB-2A
P-7000-009	4"	MCC-EB1-2, PANEL PP, PANEL LP2	JB-2B	18#12, #12GND	EXISTING CONDUIT, VIA CABLE TRAY, JB-2A, AND PB-FSB-2A
P-7000-010	-	-	-	-	NOT USED
P-7000-011	1"	-	-	-	EXISTING CONDUIT, SPARE
P-7000-012	1"	-	-	-	EXISTING CONDUIT, SPARE
P-7000-013	1"	-	-	-	EXISTING CONDUIT, SPARE
P-7000-014	2"	-	-	-	EXISTING CONDUIT, SPARE
P-7000-015	2"	-	-	-	EXISTING CONDUIT, SPARE
P-7000-016	2"	-	-	-	EXISTING CONDUIT, SPARE
P-7000-017	4"	-	-	-	EXISTING CONDUIT, SPARE
P-7000-018	4"	-	-	-	EXISTING CONDUIT, SPARE
P-7000-019	4"	-	-	-	EXISTING CONDUIT, SPARE
P-7000-020	4"	-	-	-	EXISTING CONDUIT, SPARE
P-7000-021	4"	-	-	-	EXISTING CONDUIT, SPARE
P-7000-022	4"	-	-	-	EXISTING CONDUIT, SPARE
P-7000-023	4"	-	-	-	EXISTING CONDUIT, SPARE
P-7000-024	3/4"	MCB-EB1-1	VFD-2011	3#6, #10GND	VIA CABLE TRAY
P-7000-025	1-1/2"	PB-FSB-1	MIX-2011	#6 VFD CABLE, #10GND	VIA WALKER DUCT, VIA DSW
P-7000-026	3/4"	MCB-EB1-1	VFD-2012	3#6, #10GND	VIA CABLE TRAY
P-7000-027	1-1/2"	PB-FSB-1	MIX-2012	#6 VFD CABLE, #10GND	VIA WALKER DUCT, VIA DSW
P-7000-028	3/4"	MCB-EB1-1	VFD-2021	3#6, #10GND	VIA CABLE TRAY
P-7000-029	1-1/2"	PB-FSB-1	MIX-2021	#6 VFD CABLE, #10GND	VIA WALKER DUCT, VIA DSW
P-7000-030	3/4"	MCB-EB1-1	VFD-2022	3#6, #10GND	VIA CABLE TRAY
P-7000-031	1-1/2"	PB-FSB-1	MIX-2022	#6 VFD CABLE, #10GND	VIA WALKER DUCT, VIA DSW
P-7000-032	3/4"	MCB-EB1-1	VFD-2031	3#6, #10GND	VIA CABLE TRAY
P-7000-033	1-1/2"	PB-FSB-1	MIX-2031	#6 VFD CABLE, #10GND	VIA WALKER DUCT, VIA DSW
P-7000-034	3/4"	MCB-EB1-1	VFD-2032	3#6, #10GND	VIA CABLE TRAY
P-7000-035	1-1/2"	PB-FSB-1	MIX-2032	#6 VFD CABLE, #10GND	VIA WALKER DUCT, VIA DSW
P-7000-036	3-1/2"	MCB-EB1-1	MCC-FLOC-1	3 SETS OF 3#4/0, #6GND	
P-7000-037	3-1/2"	MCB-EB1-1	MCC-FLOC-2	3 SETS OF 3#4/0, #6GND	
P-7000-038	3-1/2"	MCB-EB1-1	MCC-EB1-2	3 SETS OF 3#3/0, #6GND	
P-7000-039	3/4"	PB-FSB-1	PMP-2143	3#12, #12GND	VIA WALKER DUCT, VIA DSW
P-7000-040	3/4"	PB-FSB-1	PMP-2153	3#12, #12GND	VIA WALKER DUCT, VIA DSW
P-7000-041	1-1/2"	PB-FSB-1	MIX-2101	#12 VFD CABLE, #12GND	VIA WALKER DUCT, VIA DSW
P-7000-042	1-1/2"	PB-FSB-1	MIX-2102	#12 VFD CABLE, #12GND	VIA WALKER DUCT, VIA DSW
P-7000-043	1-1/2"	PB-FSB-1	MIX-2103	#12 VFD CABLE, #12GND	VIA WALKER DUCT, VIA DSW
P-7000-044	1-1/2"	PB-FSB-1	MIX-2104	#12 VFD CABLE, #12GND	VIA WALKER DUCT, VIA DSW
P-7000-045	1-1/2"	PB-FSB-1	MIX-2111	#12 VFD CABLE, #12GND	VIA WALKER DUCT, VIA DSW
P-7000-046	1-1/2"	PB-FSB-1	MIX-2112	#12 VFD CABLE, #12GND	VIA WALKER DUCT, VIA DSW
P-7000-047	1-1/2"	PB-FSB-1	MIX-2113	#12 VFD CABLE, #12GND	VIA WALKER DUCT, VIA DSW
P-7000-048	1-1/2"	PB-FSB-1	MIX-2114	#12 VFD CABLE, #12GND	VIA WALKER DUCT, VIA DSW
P-7000-049	1-1/2"	MCC-FLOC-1	VFD-3301	3#2/0, #6GND	
P-7000-050	3"	VFD-3301	PMP-3301	#2/0 VFD CABLE, #6GND	VIA WALKER DUCT, VIA DSW
P-7000-051	1-1/2"	MCC-FLOC-1	VFD-3302	3#2/0, #6GND	
P-7000-052	3"	VFD-3302	PMP-3302	#2/0 VFD CABLE, #6GND	VIA WALKER DUCT, VIA DSW
P-7000-053	1-1/2"	JB-2B	MIX-2201	#12 VFD CABLE, #12GND	VIA DSW
P-7000-054	1-1/2"	JB-2B	MIX-2202	#12 VFD CABLE, #12GND	VIA DSW
P-7000-055	1-1/2"	JB-2B	MIX-2203	#12 VFD CABLE, #12GND	VIA DSW
P-7000-056	1-1/2"	JB-2B	MIX-2204	#12 VFD CABLE, #12GND	VIA DSW
P-7000-057	1-1/2"	JB-2B	MIX-2205	#12 VFD CABLE, #12GND	VIA DSW
P-7000-058	1-1/2"	JB-2B	MIX-2211	#12 VFD CABLE, #12GND	VIA DSW
P-7000-059	1-1/2"	JB-2B	MIX-2212	#12 VFD CABLE, #12GND	VIA DSW
P-7000-060	1-1/2"	JB-2B	MIX-2213	#12 VFD CABLE, #12GND	VIA DSW
P-7000-061	1-1/2"	JB-2B	MIX-2214	#12 VFD CABLE, #12GND	VIA DSW
P-7000-062	1-1/2"	JB-2B	MIX-2215	#12 VFD CABLE, #12GND	VIA DSW
P-7000-063	1-1/2"	MCC-EB1-2	VFD-3303	3#2/0, #6GND	
P-7000-064	3"	VFD-3303	PMP-3303	#2/0 VFD CABLE, #6GND	VIA WALKER DUCT, VIA DSW
P-7000-065	3-1/2"	MCC-EB1-2	MCC-FLOC-3	3 SETS OF 3#4/0, #6GND	
P-7000-066	3-1/2"	MCC-EB1-2	MCC-FLOC-3	EMPTY W/ PULLSTRING	SPARE, VIA WALKER DUCT
P-7000-067	3-1/2"	MCC-EB1-2	MCC-FLOC-4	3 SETS OF 3#4/0, #6GND	VIA WALKER DUCT
P-7000-068	3-1/2"	MCC-EB1-2	MCC-FLOC-4	EMPTY W/ PULLSTRING	SPARE, VIA WALKER DUCT
P-7000-069	3/4"	PB-FSB-1	PMP-2243	3#12, #12GND	VIA WALKER DUCT, VIA DSW
P-7000-070	3/4"	PB-FSB-1	PMP-2253	3#12, #12GND	VIA WALKER DUCT, VIA DSW
P-7000-071	3/4"	PB-FSB-1	HT-RM-1	2#12, #12GND	VIA WALKER DUCT, VIA DSW
P-7000-072	3/4"	PB-FSB-1	AIT-2100	2#12, #12GND	VIA WALKER DUCT, VIA DSW
P-7000-073	3/4"	PB-FSB-1	AIT-2110	2#12, #12GND	VIA WALKER DUCT, VIA DSW
P-7000-074	3/4"	PB-FSB-1	VCP-2120	2#12, #12GND	VIA WALKER DUCT, VIA DSW
P-7000-075	1"	VCP-2120	SCD-2121	MFR. SUPPLIED CABLE	
P-7000-076	1"	VCP-2120	SCD-2122	MFR. SUPPLIED CABLE	
P-7000-077	3/4"	VCP-2120	VAL-2141	2#12, #12GND	
P-7000-078	3/4"	VCP-2120	VAL-2142	2#12, #12GND	
P-7000-079	3/4"	PB-FSB-1	VCP-2130	2#12, #12GND	VIA WALKER DUCT
P-7000-080	1"	VCP-2130	SCD-2131	MFR. SUPPLIED CABLE	
P-7000-081	1"	VCP-2130	SCD-2132	MFR. SUPPLIED CABLE	
P-7000-082	3/4"	VCP-2130	VAL-2151	2#12, #12GND	
P-7000-083	3/4"	VCP-2130	VAL-2152	2#12, #12GND	
P-7000-084	3/4"	PANEL PP	AHU-7001	3#12, #12GND	
P-7000-085	3/4"	JB-2B	AIT-2200	2#12, #12GND	VIA DSW
P-7000-086	3/4"	JB-2B	AIT-2210	2#12, #12GND	VIA DSW
P-7000-087	3/4"	JB-2B	VCP-2220	2#12, #12GND	
P-7000-088	1"	VCP-2220	SCD-2221	MFR. SUPPLIED CABLE	
P-7000-089	1"	VCP-2221	SCD-2222	MFR. SUPPLIED CABLE	
P-7000-090	3/4"	VCP-2220	VAL-2241	2#12, #12GND	

CONDUIT NO.	SIZE	FROM	TO	CONDUCTORS	REMARKS
P-7000-091	3/4"	VCP-2220	JB-2242	2#12, #12GND	
P-7000-092	3/4"	JB-2B	VCP-2230	2#12, #12GND	
P-7000-093	1"	VCP-2230	SCD-2231	MFR. SUPPLIED CABLE	
P-7000-094	1"	VCP-2230	SCD-2232	MFR. SUPPLIED CABLE	
P-7000-095	3/4"	VCP-2230	JB-2251	2#12, #12GND	
P-7000-096	3/4"	VCP-2230	JB-2252	2#12, #12GND	
P-7000-097	-	-	-	-	NOT USED
P-7000-098	3/4"	PB-FSB-1	HT-RM-2	2#12, #12GND	VIA WALKER DUCT
P-7000-099	1"	PANEL LP2	HT-WP-1	2#12, #12GND	VIA WALKER DUCT
P-7000-100	3/4"	PP-FSB-1	PMP-6061	3#12, #12GND	VIA DSW
P-7000-101	3/4"	PP-FSB-1	PMP-6062	3#12, #12GND	VIA DSW
P-7000-102	-	-	-	-	NOT USED
P-7000-103	3/4"	PANEL LP2	SPACE HEATER	2#12, #12GND	VIA WALKER DUCT
P-7000-104	4"	T-DC2	MCC-EB1-1	4#500, #3/0GND	EXISTING CONDUIT
P-7000-105	4"	T-DC2	MCC-EB1-1	4#500, #3/0GND	EXISTING CONDUIT
P-7000-106	4"	T-DC2	MCC-EB1-1	4#500, #3/0GND	EXISTING CONDUIT
P-7000-107	4"	T-DC3	MCC-EB1-2	4#500, #3/0GND	EXISTING CONDUIT
P-7000-108	4"	T-DC3	MCC-EB1-2	4#500, #3/0GND	EXISTING CONDUIT
P-7000-109	4"	T-DC3	MCC-EB1-2	4#500, #3/0GND	EXISTING CONDUIT
P-7000-110	4"	MCC-EB1-1	DC3B	4#500, #1/0GND	EXISTING CONDUIT
P-7000-111	4"	MCC-EB1-1	DC3B	4#500, #1/0GND	EXISTING CONDUIT
P-7000-112	4"	MCC-EB1-2	DC2B	4#500, #1/0GND	EXISTING CONDUIT
P-7000-113	4"	MCC-EB1-2	DC2B	4#500, #1/0GND	EXISTING CONDUIT
P-7000-114	1"	PANEL LP2	HTCP-3301-1	2#10, #10GND	
P-7000-115	3/4"	HTCP-3301-1	PMP-3301 SEAL WATER - CIRCUIT 1	2#10, #10GND	
P-7000-116	3/4"	PMP-3301 SEAL WATER - CIRCUIT 1	PMP-3302 SEAL WATER - CIRCUIT 2	2#10, #10GND	
P-7000-117	3/4"	PMP-3302 SEAL WATER - CIRCUIT 2	PMP-3303 SEAL WATER - CIRCUIT 3	2#10, #10GND	
P-7000-118	1"	PANEL LP2	HTCP-2101-1	2#10, #10GND	
P-7000-119	1"	PANEL LP2	HTCP-2101-2	2#10, #10GND	
P-7000-120	1"	PANEL LP2	HTCP-2101-3	2#10, #10GND	
P-7000-121	3/4"	HTCP-2101-1	LIME SLURRY 1 - CIRCUIT 1	2#10, #10GND	
P-7000-122	3/4"	LIME SLURRY 1 - CIRCUIT 1	LIME SLURRY 2 - CIRCUIT 2	2#10, #10GND	
P-7000-123	3/4"	LIME SLURRY 2 - CIRCUIT 2	LIME SLURRY 3 - CIRCUIT 3	2#10, #10GND	
P-7000-124	3/4"	HTCP-2101-1	SODIUM HYPO 1 - CIRCUIT 4	2#10, #10GND	
P-7000-125	3/4"	SODIUM HYPO 1 - CIRCUIT 4	SODIUM HYPO 2 - CIRCUIT 5	2#10, #10GND	
P-7000-126	3/4"	SODIUM HYPO 2 - CIRCUIT 5	SODIUM HYPO 3 - CIRCUIT 6	2#10, #10GND	
P-7000-127	3/4"	HTCP-2101-2	ALUMINUM SULFATE 1 - CIRCUIT 1	2#10, #10GND	
P-7000-128	3/4"	ALUMINUM SULFATE 1 - CIRCUIT 1	ALUMINUM SULFATE 2 - CIRCUIT 2	2#10, #10GND	
P-7000-129	3/4"	ALUMINUM SULFATE 2 - CIRCUIT 2	ALUMINUM SULFATE 3 - CIRCUIT 3	2#10, #10GND	
P-7000-130	3/4"	HTCP-2101-2	SAMPLE LINE DISCH 1 - CIRCUIT 4	2#10, #10GND	
P-7000-131	3/4"	SAMPLE LINE DISCH 1 - CIRCUIT 4	SAMPLE LINE DISCH 2 - CIRCUIT 5	2#10, #10GND	
P-7000-132	3/4"	HTCP-2101-3	SAMPLE LINE DISCH 1 - CIRCUIT 1	2#10, #10GND	
P-7000-133	3/4"	SAMPLE LINE DISCH 1 - CIRCUIT 1	SAMPLE LINE DISCH 2 - CIRCUIT 2	2#10, #10GND	
P-7000-134	3/4"	HTCP-2101-3	SAMPLE LINE DISCH 3 - CIRCUIT 3	2#10, #10GND	
P-7000-135	3/4"	SAMPLE LINE DISCH 3 - CIRCUIT 3	SAMPLE LINE DISCH 4 - CIRCUIT 4	2#10, #10GND	
P-7000-136	1-1/2"	JB-2141	VAL-2141	(2) PIGTAIL CORDSET	POWER AND CONTROLS
P-7000-137	1-1/2"	JB-2142	VAL-2142	(2) PIGTAIL CORDSET	POWER AND CONTROLS
P-7000-138	1-1/2"	JB-2151	VAL-2151	(2) PIGTAIL CORDSET	POWER AND CONTROLS
P-7000-139	1-1/2"	JB-2152	VAL-2152	(2) PIGTAIL CORDSET	POWER AND CONTROLS
P-7000-140	1-1/2"	JB-2241	VAL-2241	(2) PIGTAIL CORDSET	POWER AND CONTROLS
P-7000-141	1-1/2"	JB-2242	VAL-2242	(2) PIGTAIL CORDSET	POWER AND CONTROLS
P-7000-142	1-1/2"	JB-2251	VAL-2251	(2) PIGTAIL CORDSET	POWER AND CONTROLS
P-7000-143	1-1/2"	JB-2252	VAL-2252	(2) PIGTAIL CORDSET	POWER AND CONTROLS

CONDUIT NO.	SIZE	FROM	TO	CONDUCTORS	REMARKS
C-7000-001	4"	VFD-2011, 2012, 2021, 2022, 2031, 2032, MCC-EB1-1, MCC-FLOC-1, CP-WIL-EB1	PB-FSB-2B	174#14, #14GND	EXISTING CONDUIT, VIA CABLE TRAY
C-7000-002	4"	MCC-FLOC-2, CP-WIL-EB1	JB-2B	112#14, #14GND	EXISTING CONDUIT, VIA CABLE TRAY, JB-2A, AND PB-FSB-2A
C-7000-003	1-1/2"	PB-FSB-2B	CBP-RM-1	68#14, #14GND	VIA WALKER DUCT
C-7000-004	2"	PB-FSB-2B	CBP-BSN-1	106#14, #14GND	VIA WALKER DUCT
C-7000-005	3/4"	CBP-RM-1	MIX-2011	4#14, #14GND	
C-7000-006	3/4"	CBP-RM-1	LCS-2011	6#14, #14GND	
C-7000-007	3/4"	CBP-RM-1	MIX-2012	4#14, #14GND	
C-7000-008	3/4"	CBP-RM-1	LCS-2012	6#14, #14GND	
C-7000-009	3/4"	CBP-RM-1	MIX-2021	4#14, #14GND	
C-7000-010	3/4"	CBP-RM-1	LCS-2021	6#14, #14GND	
C-7000-011	3/4"	CBP-RM-1	MIX-2022	4#14, #14GND	
C-7000-012	3/4"	CBP-RM-1	LCS-2022	6#14, #14GND	
C-7000-013	3/4"	CBP-RM-1	MIX-2031	4#14, #14GND	
C-7000-014	3/4"	CBP-RM-1	LCS-2031	6#14, #14GND	
C-7000-015	3/4"	CBP-RM-1	MIX-2032	4#14, #14GND	
C-7000-016	3/4"	CBP-RM-1	LCS-2032	6#14, #14GND	
C-7000-017	3/4"	CBP-BSN-1	MIX-2101	4#14, #14GND	
C-7000-018	3/4"	CBP-BSN-1	LCS-2101	6#14, #14GND	
C-7000-019	3/4"	CBP-BSN-1	MIX-2102	4#14, #14GND	
C-7000-020	3/4"	CBP-BSN-1	LCS-2102	6#14, #14GND	
C-7000-021	3/4"	CBP-BSN-1	MIX-2103	4#14, #14GND	
C-7000-022	3/4"	CBP-BSN-1	LCS-2103	6#14, #14GND	
C-7000-023	3/4"	CBP-BSN-1	MIX-2104	4#14, #14GND	
C-7000-024	3/4"	CBP-BSN-1	LCS-2104	6#14, #14GND	
C-7000-025	3/4"	CBP-BSN-1	MIX-2111	4#14, #14GND	
C-700					

File: C:\USERS\NINELSON\ACCD\CC\HAZEN AND SAWYER\60711-001_WILSON_WTP_REHAB_FILTER_BASINPROJECT FILES\00_ELECTRICAL\E7019_Saved by SCHAVEZ Save date: 11/18/2024 12:37 PM
PLOT DATE: 11/19/2024 1:50 PM BY: NINELSON

CONDUIT NO.	SIZE	FROM	TO	CONDUCTORS	REMARKS
C-7000-034	3/4"	CBP-BSN-1	LCS-2062	6#14, #14GND	
C-7000-035	3/4"	CBP-BSN-1	LCS-2143	6#14, #14GND	
C-7000-036	3/4"	CBP-BSN-1	LCS-2153	6#14, #14GND	
C-7000-037	3/4"	JB-2B	LCS-2243	6#14, #14GND	
C-7000-038	3/4"	JB-2B	LCS-2253	6#14, #14GND	
C-7000-039	3/4"	JB-2B	MIX-2201	4#14, #14GND	
C-7000-040	3/4"	JB-2B	LCS-2201	6#14, #14GND	
C-7000-041	3/4"	JB-2B	MIX-2202	4#14, #14GND	
C-7000-042	3/4"	JB-2B	LCS-2202	6#14, #14GND	
C-7000-043	3/4"	JB-2B	MIX-2203	4#14, #14GND	
C-7000-044	3/4"	JB-2B	LCS-2203	6#14, #14GND	
C-7000-045	3/4"	JB-2B	MIX-2204	4#14, #14GND	
C-7000-046	3/4"	JB-2B	LCS-2204	6#14, #14GND	
C-7000-047	3/4"	JB-2B	MIX-2205	4#14, #14GND	
C-7000-048	3/4"	JB-2B	LCS-2205	6#14, #14GND	
C-7000-049	3/4"	JB-2B	MIX-2211	4#14, #14GND	
C-7000-050	3/4"	JB-2B	LCS-2211	6#14, #14GND	
C-7000-051	3/4"	JB-2B	MIX-2212	4#14, #14GND	
C-7000-052	3/4"	JB-2B	LCS-2212	6#14, #14GND	
C-7000-053	3/4"	JB-2B	MIX-2213	4#14, #14GND	
C-7000-054	3/4"	JB-2B	LCS-2213	6#14, #14GND	
C-7000-055	3/4"	JB-2B	MIX-2214	4#14, #14GND	
C-7000-056	3/4"	JB-2B	LCS-2214	6#14, #14GND	
C-7000-057	3/4"	JB-2B	MIX-2215	4#14, #14GND	
C-7000-058	3/4"	JB-2B	LCS-2215	6#14, #14GND	
C-7000-059	3/4"	VCP-2120	VAL-2141	12#14, #14GND	
C-7000-060	3/4"	VCP-2120	VAL-2142	12#14, #14GND	
C-7000-061	3/4"	VCP-2130	VAL-2151	12#14, #14GND	
C-7000-062	3/4"	VCP-2130	VAL-2152	12#14, #14GND	
C-7000-063	3/4"	VCP-2220	VAL-2241	12#14, #14GND	
C-7000-064	3/4"	VCP-2220	VAL-2242	12#14, #14GND	
C-7000-065	3/4"	VCP-2230	VAL-2251	12#14, #14GND	
C-7000-066	3/4"	VCP-2230	VAL-2252	12#14, #14GND	
C-7000-067	1"	FPP-WIL-EB1	FPP-WIL-EB2	FO CABLE	VIA WALKER DUCT
C-7000-068	2"	MCC-EB1-1, MCC-EB1-2, VFD-3301/3302/3303, CP-WIL-EB1	CPB-SPS-1	90#14, #14GND	VIA CABLE TRAY, VIA WALKER DUCT
C-7000-069	3/4"	CPB-SPS-1	LCS-3401	10#14, #14GND	
C-7000-070	3/4"	LCS-3401	PMP-3401	8#14, #14GND	MSH-3401, TE-3401
C-7000-071	3/4"	CPB-SPS-1	PSH-3401	4#14, #14GND	
C-7000-072	3/4"	CPB-SPS-1	LCS-3402	10#14, #14GND	
C-7000-073	3/4"	LCS-3402	PMP-3402	8#14, #14GND	MSH-3402, TE-3402
C-7000-074	3/4"	CPB-SPS-1	PSH-3402	4#14, #14GND	
C-7000-075	2"	MCC-EB1-1, MCC-EB1-2	CPB-SPS-1	EMPTY W/ PULLSTRING	SPARE, VIA CABLE TRAY, VIA WALKER DUCT
C-7000-076	3/4"	PMP-2200	LCS-2200	4#14, #14GND	
C-7000-077	3/4"	PMP-2210	LCS-2210	4#14, #14GND	
C-7000-078	1"	CPB-SPS-1	VAL-3300	4#14, #14GND	
C-7000-079	1"	CPB-SPS-1	PMP-3301	4#14, #14GND	TSH-3301
C-7000-080	1"	CPB-SPS-1	LCS-3301	6#14, #14GND	
C-7000-081	1"	CPB-SPS-1	PSH-3301	4#14, #14GND	
C-7000-082	1"	CPB-SPS-1	PMP-3302	4#14, #14GND	TSH-3302
C-7000-083	1"	CPB-SPS-1	LCS-3302	6#14, #14GND	
C-7000-084	1"	CPB-SPS-1	PSH-3302	4#14, #14GND	
C-7000-085	1"	CPB-SPS-1	PMP-3303	4#14, #14GND	TSH-3303
C-7000-086	1"	CPB-SPS-1	LCS-3303	6#14, #14GND	
C-7000-087	1"	CPB-SPS-1	PSH-3303	4#14, #14GND	
C-7000-088	3/4"	CPB-RM-1	HT-RM-1	4#14, #14GND	
C-7000-089	3/4"	CPB-RM-1	HT-RM-2	4#14, #14GND	
C-7000-090	3/4"	CBP-BSN-1	TSL-2060	4#14, #14GND	
C-7000-091	1"	CPB-SPS-1	HT-WP-1	4#14, #14GND	
C-7000-092	3/4"	CPB-SPS-1	SV-3301	4#14, #14GND	
C-7000-093	3/4"	CPB-SPS-1	SV-3302	4#14, #14GND	
C-7000-094	3/4"	CPB-SPS-1	SV-3303	4#14, #14GND	
C-7000-095	3/4"	AHU-7001	T-7001	4#14, #14GND	
C-7000-096	-	-	-	-	NOT USED
C-7000-097	-	-	-	-	NOT USED

CONDUIT NO.	SIZE	FROM	TO	CONDUCTORS	REMARKS
I-7000-001	-	-	-	-	NOT USED
I-7000-002	2"	CP-WIL-EB1	PB-FSB-2B	8(2/C#16TSH), #14GND	EXISTING CONDUIT, VIA CABLE TRAY
I-7000-003	1"	CP-WIL-EB1	PB-FSB-2B	(4) CAT-6 CABLE	EXISTING CONDUIT, VIA CABLE TRAY
I-7000-004	3/4"	CP-WIL-EB1	MCC-EB1-1	(1) CAT-6 CABLE	VIA CABLE TRAY
I-7000-005	3/4"	CP-WIL-EB1	MCC-FLOC-1	(1) CAT-6 CABLE	VIA CABLE TRAY
I-7000-006	3/4"	MCC-EB1-1	VFD-2011	(1) CAT-6 CABLE	VIA CABLE TRAY
I-7000-007	3/4"	MCC-EB1-1	VFD-2012	(1) CAT-6 CABLE	VIA CABLE TRAY
I-7000-008	3/4"	MCC-EB1-1	VFD-2021	(1) CAT-6 CABLE	VIA CABLE TRAY
I-7000-009	3/4"	MCC-EB1-1	VFD-2022	(1) CAT-6 CABLE	VIA CABLE TRAY
I-7000-010	3/4"	MCC-EB1-1	VFD-2031	(1) CAT-6 CABLE	VIA CABLE TRAY
I-7000-011	3/4"	MCC-EB1-1	VFD-2032	(1) CAT-6 CABLE	VIA CABLE TRAY
I-7000-012	1-1/2"	PB-FSB-2B	IPB-BSN-1	4(2/C#16TSH), #14GND	
I-7000-013	1-1/2"	PB-FSB-2B	IPB-BSN-2	4(2/C#16TSH), #14GND	VIA WALKER DUCT
I-7000-014	1"	IPB-BSN-1	AIT-2100	2(2/C#16TSH), #14GND	
I-7000-015	1"	AIT-2100	AE-2100	2(2/C#16TSH), #14GND	
I-7000-016	1"	IPB-BSN-1	AIT-2110	2(2/C#16TSH), #14GND	
I-7000-017	1"	AIT-2110	AE-2110	2(2/C#16TSH), #14GND	
I-7000-018	3/4"	IPB-BSN-1	VCP-2120	(1) CAT-6 CABLE	
I-7000-019	3/4"	IPB-BSN-1	VCP-2130	(1) CAT-6 CABLE	
I-7000-020	1"	IPB-BSN-2	AIT-2200	2(2/C#16TSH), #14GND	
I-7000-021	1"	AIT-2200	AE-2200	2(2/C#16TSH), #14GND	
I-7000-022	1"	IPB-BSN-2	AIT-2210	2(2/C#16TSH), #14GND	
I-7000-023	1"	AIT-2210	AE-2210	2(2/C#16TSH), #14GND	
I-7000-024	3/4"	IPB-BSN-2	VCP-2220	(1) CAT-6 CABLE	
I-7000-025	3/4"	IPB-BSN-2	VCP-2230	(1) CAT-6 CABLE	
I-7000-026	3/4"	PB-FSB-2B	IPB-BSN-1	(2) CAT-6 CABLE	VIA WALKER DUCT
I-7000-027	3/4"	PB-FSB-2B	IPB-BSN-2	(2) CAT-6 CABLE	
I-7000-028	3/4"	CP-WIL-EB1	MCC-FLOC-2	(1) CAT-6 CABLE	VIA CABLE TRAY
I-7000-029	1"	CP-WIL-EB1	LIT/LE-3300	2(C#16TSH), #14GND	VIA VABLE TRAY, VIA WALKER DUCT
I-7000-030	1"	CP-WIL-EB1	LIT/LE-3400	2(C#16TSH), #14GND	VIA VABLE TRAY, VIA WALKER DUCT
I-7000-031	3/4"	CP-WIL-EB1	MCC-EB1-2	(1) CAT-6 CABLE	VIA CABLE TRAY
I-7000-032	3/4"	CP-WIL-EB1	VFD-3301	(1) CAT-6 CABLE	VIA CABLE TRAY
I-7000-033	3/4"	CP-WIL-EB1	VFD-3302	(1) CAT-6 CABLE	VIA CABLE TRAY
I-7000-034	3/4"	CP-WIL-EB1	VFD-3303	(1) CAT-6 CABLE	VIA CABLE TRAY
I-7000-035	-	-	-	-	NOT USED
I-7000-036	-	-	-	-	NOT USED

GMP SUBMITTAL. DO NOT USE FOR CONSTRUCTION.

PROJECT MANAGER:	T. HUDSON
DESIGNED BY:	N. NELSON
DRAWN BY:	N. NELSON
PROJECT ENGINEER:	B. BUELTEL
IF THIS BAR DOES NOT MEASURE 1" THEN DRAWING IS NOT TO FULL SCALE	



Hazen
HAZEN AND SAWYER
8150 N. CENTRAL EXPRESSWAY
TOWER II - SUITE 700
DALLAS, TEXAS 75206

CENTRAL ARKANSAS WATER
LITTLE ROCK, ARKANSAS

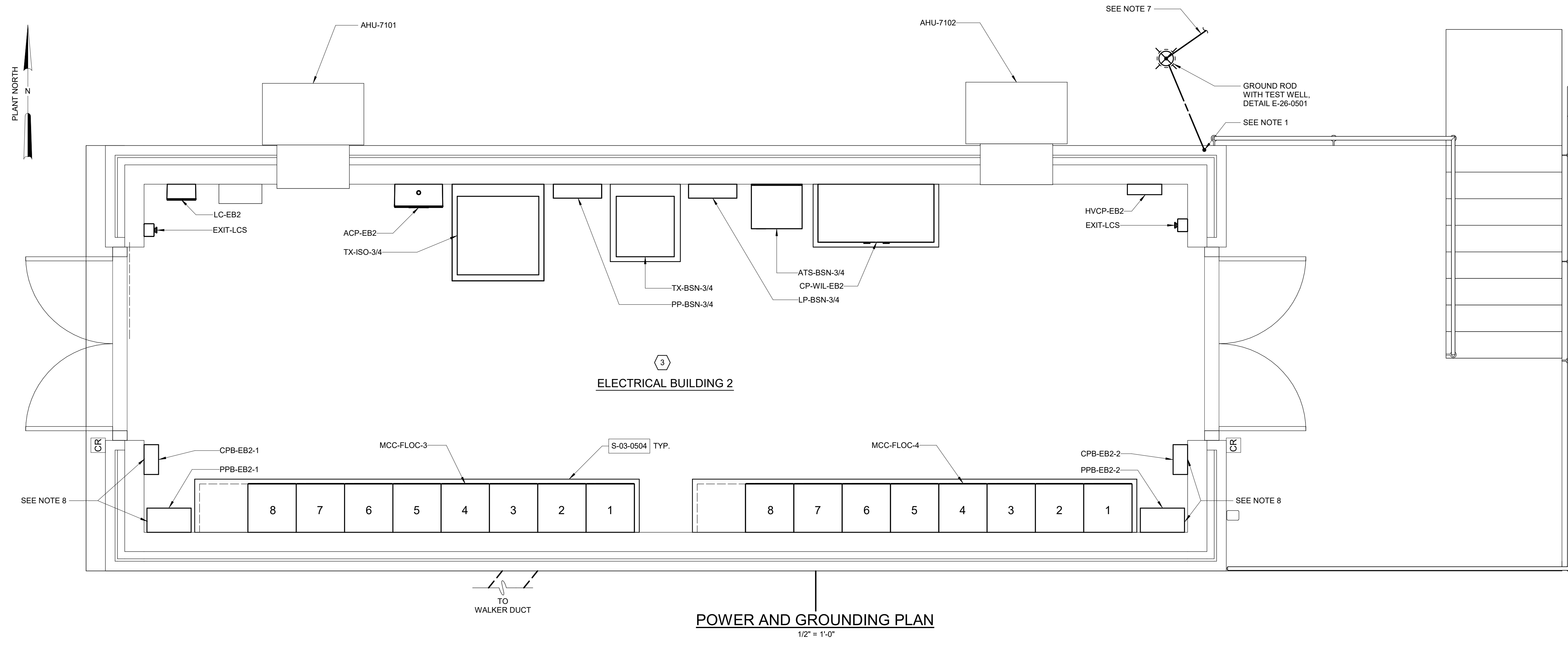
JACK H. WILSON WTP RENEWAL AND
RESILIENCY PROJECT

ELECTRICAL BUILDING NO. 1
ELECTRICAL
CONDUIT AND WIRE SCHEDULE

DATE:	NOVEMBER 2024
HAZEN NO.:	60711-003
CONTRACT NO.:	1
DRAWING NUMBER:	E7019

- NOTES:**
- REFER TO N.E.C. ARTICLE 250.52(A)(3) FOR BONDING OF GROUND RING TO STRUCTURAL FOUNDATION REBAR.
 - GROUND RING CONDUCTOR SHALL BE #4/0 BARE COPPER WIRE 30" MINIMUM BELOW FINISHED GRADE. ALL GROUND CONDUCTORS TO EQUIPMENT OR STRUCTURAL STEEL SHALL BE BARE COPPER WIRE.
 - ALL TRANSFORMERS, MOTOR CONTROL CENTERS, SWITCHBOARDS, SWITCHGEAR, AND PANELBOARDS SHALL BE BONDED TO THE GROUND RING CONDUCTOR.
 - FURNISH AND INSTALL LIGHTNING PROTECTION SYSTEM FOR THIS FACILITY PER 26 41 00.
 - FURNISH AND INSTALL 1" CONDUITS THROUGH CONCRETE PAD FOR LIGHTNING PROTECTION DOWN CONDUCTORS SHALL BE ROUTED DOWN INSIDE OF BUILDING.
 - COORDINATE GROUND SYSTEM INSTALLATION WITH INSTALLATION OF THE LIGHTNING PROTECTION SYSTEM.
 - EVALUATE EXISTING CONDITIONS OF GROUND GRID AROUND BASIN 3. EXTEND EXISTING GROUND RING AROUND NEWLY CONSTRUCTED ELECTRICAL BUILDING 2. IF EXISTING GROUND RING IS NOT AVAILABLE, PROVIDE NEW GROUND RING TRIAD THAT IS CONNECTED TO STRUCTURAL STEEL FOR EXISTING BASIN 3. THE GROUND RING TRIAD SHALL CONSIST OF 3 COPPER GROUND RODS WITH TEST WELLS, EACH 10' APART AND AT A 60 DEGREE ANGLE FROM EACH OTHER.
 - PULLBOXES SHALL BE MOUNTED AT DIFFERENT HEIGHTS TO ALLOW ACCESS TO BOTH.

- AREA DESIGNATIONS:**
- ① INDOOR WET PROCESS AREA
 - ② INDOOR DRY PROCESS AREA
 - ③ INDOOR DRY NON-PROCESS AREA



GMP SUBMITTAL. DO NOT USE FOR CONSTRUCTION.

Autodesk/Doc/60711-001_Wilson_WTP_Rehab_Filter_Basins/60711-003-7100-EB2-ELEC.rvt 11/19/2024 10:29:38 AM

REV	ISSUED FOR	DATE	BY

PROJECT MANAGER:	T. HUDSON
DESIGNED BY:	N. NELSON
DRAWN BY:	N. NELSON
PROJECT ENGINEER:	B. BUELTEL
IF THIS BAR DOES NOT MEASURE 1" THEN DRAWING IS NOT TO FULL SCALE	



Hazen
HAZEN AND SAWYER
8150 N. CENTRAL EXPRESSWAY
TOWER II - SUITE 700
DALLAS, TEXAS 75206

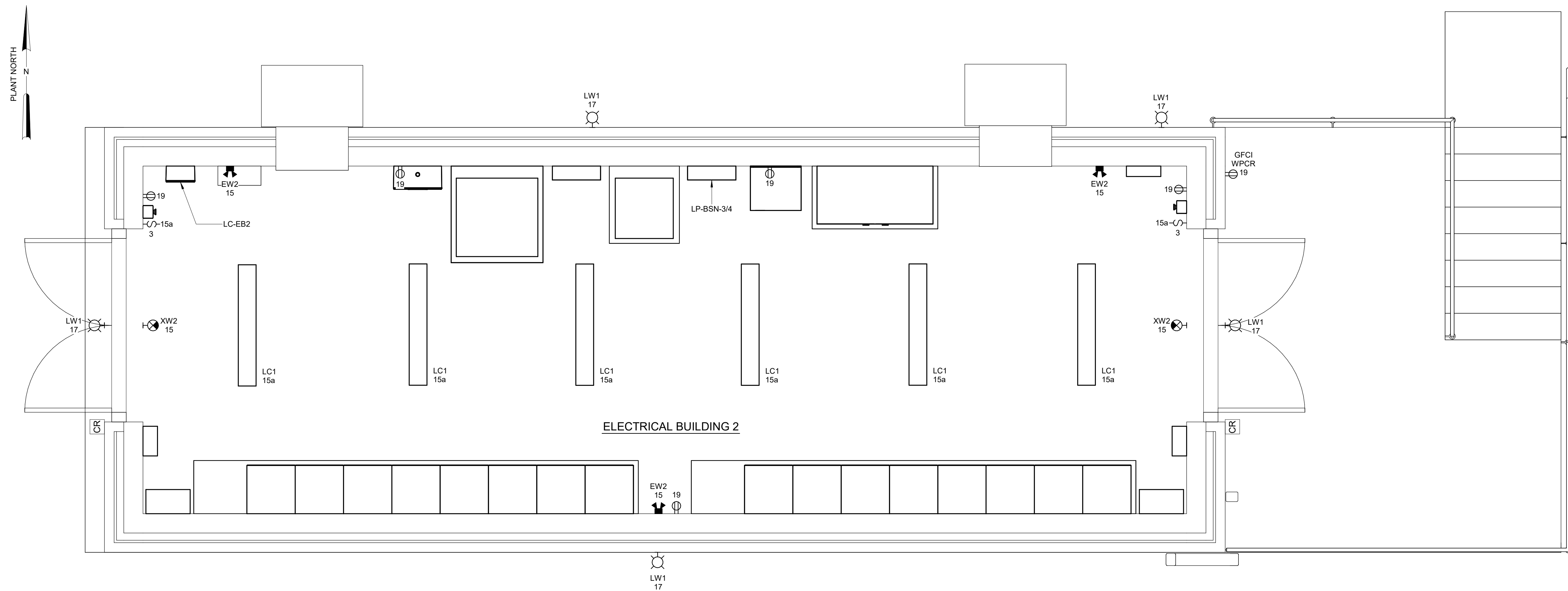
CENTRAL ARKANSAS WATER
LITTLE ROCK, ARKANSAS

JACK H. WILSON WTP RENEWAL
AND RESILIENCY PROJECT

ELECTRICAL BUILDING No. 2
ELECTRICAL
POWER AND GROUNDING PLAN

DATE:	NOVEMBER 2024
HAZEN NO.:	60711-003
CONTRACT NO.:	1
DRAWING NUMBER:	E7100

- NOTES:**
1. WHERE MOUNTED ABOVE A DOOR, FIXTURE TYPE 'LW1' SHALL BE MOUNTED 1'-0" ABOVE RESPECTIVE DOOR FRAME. ALL OTHER INSTANCES SHALL BE MOUNTED 10'-0" AFG.
 2. FIXTURE TYPE 'XW2' SHALL BE MOUNTED 1'-0" ABOVE RESPECTIVE DOOR FRAME.
 3. ALL 'EW2' TYPE LIGHT FIXTURES SHALL BE MOUNTED 7' AFF.



LIGHTING PLAN
1/2" = 1'-0"

GMP SUBMITTAL. DO NOT USE FOR CONSTRUCTION.

Autodesk Docs/60711-001_Wilson_WTP_Rehab_Files_Baer/60711-003-7100-EB2-ELEC.rvt 11/19/2024 10:29:39 AM

REV	ISSUED FOR	DATE	BY

PROJECT MANAGER:	T. HUDSON
DESIGNED BY:	N. NELSON
DRAWN BY:	N. NELSON
PROJECT ENGINEER:	B. BUELTEL
IF THIS BAR DOES NOT MEASURE 1" THEN DRAWING IS NOT TO FULL SCALE	0 1/2" 1"



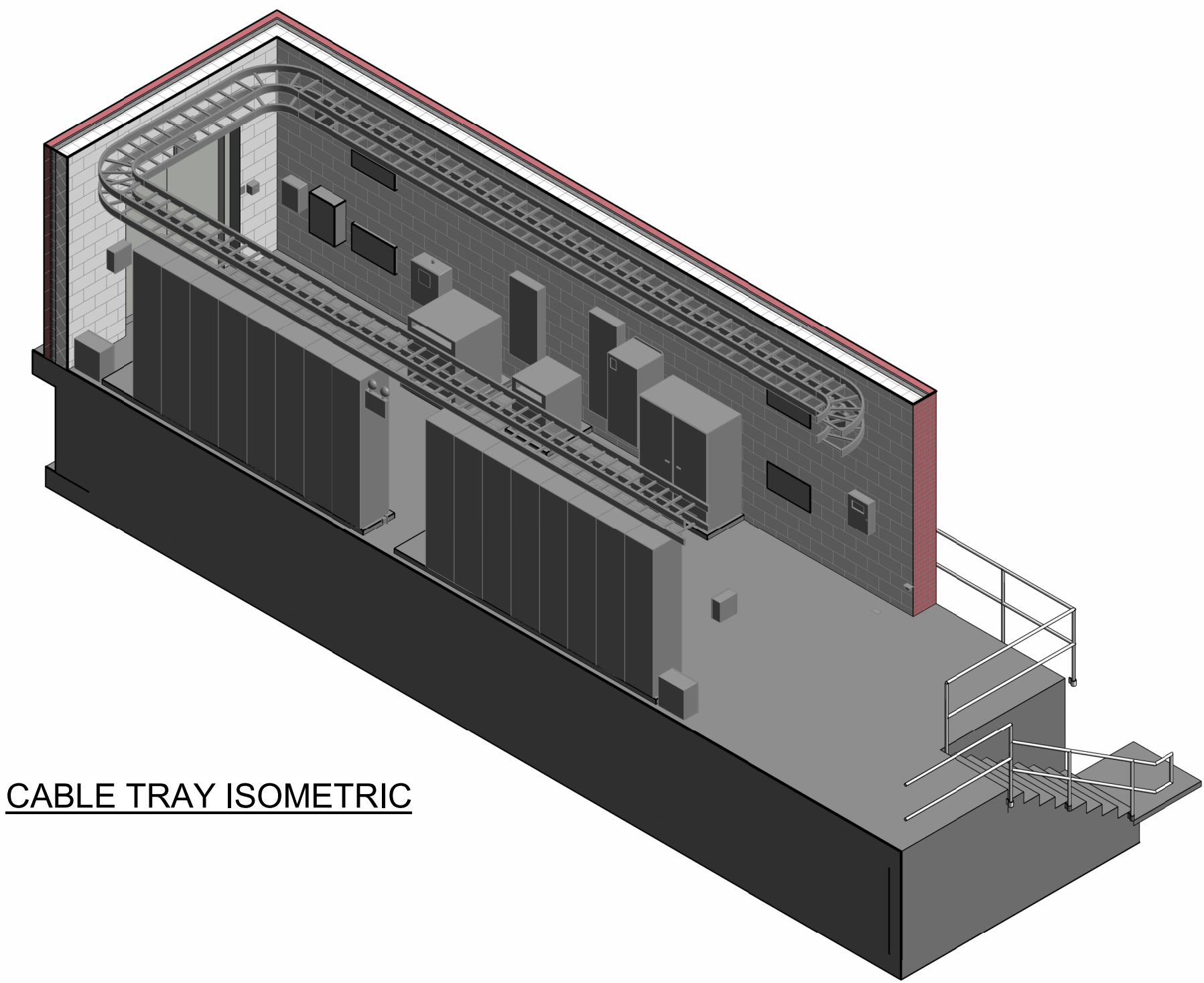
Hazen
HAZEN AND SAWYER
8150 N. CENTRAL EXPRESSWAY
TOWER II - SUITE 700
DALLAS, TEXAS 75206

CENTRAL ARKANSAS WATER
LITTLE ROCK, ARKANSAS

JACK H. WILSON WTP RENEWAL
AND RESILIENCY PROJECT

ELECTRICAL BUILDING No. 2
ELECTRICAL
LIGHTING PLAN

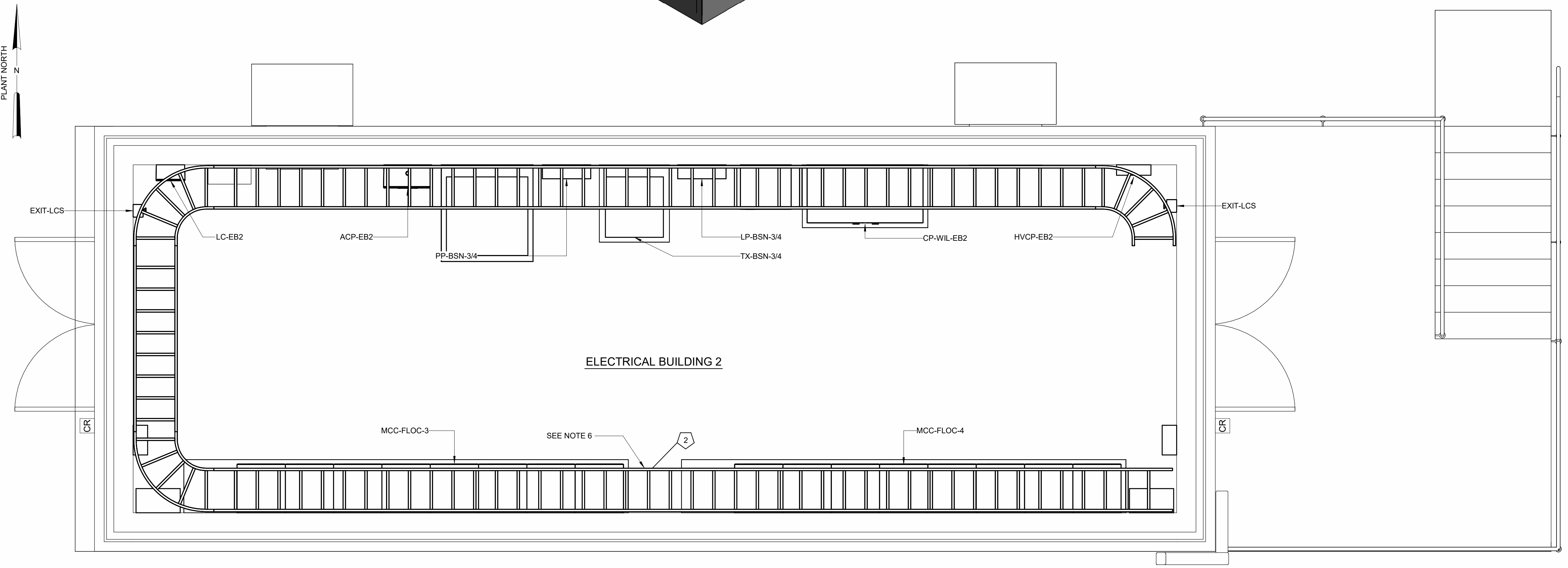
DATE:	NOVEMBER 2024
HAZEN NO.:	60711-003
CONTRACT NO.:	1
DRAWING NUMBER:	E7101



CABLE TRAY ISOMETRIC

- NOTES:**
- CABLE TRAYS SHALL BE MOUNTED AT 9' AFF AND 10' AFF. CONTRACTOR SHALL FIELD COORDINATE ANY OBSTRUCTION AND ADJUST MOUNTING HEIGHT AS REQUIRED.
 - ALL CABLE TRAY, FITTINGS AND ACCESSORIES SHALL BE UL LISTED AND SATISFY NEMA REQUIREMENTS.
 - CONDUIT-TO-CABLE TRAY ADAPTORS SHALL BE UTILIZED TO ATTACH CONDUIT TO CABLE TRAY. CABLES BETWEEN CABLE TRAY AND DESTINATION SHALL BE ROUTED THROUGH CONDUIT TYPE AS SPECIFIED IN SECTION 26 05 33.13. THE CONDUCTORS SHALL BE SECURED TO THE CABLE TRAY AT THE TRANSITION AND PROTECTED BY GUARDING FROM PHYSICAL DAMAGE.
 - PROVIDE ALL NECESSARY STRUCTURAL SUPPORTS FOR CABLE TRAY INSTALLATION.
 - POWER CABLES IN TRAY MUST BE SEPERATE FROM CONTROL AND INSTRUMENTATION CABLES. USE ONE TRAY FOR POWER, AND ONE TRAY FOR CONTROL AND INSTRUMENTATION.
 - TWO CABLE TRAYS STACKED VERTICALLY. BOTH TRAYS ARE TO BE THE SAME WIDTH.

- LEGEND:**
- ① 24"W
 - ② 18"W
 - ③ 12"W



CABLE TRAY PLAN
1/2" = 1'-0"

GMP SUBMITTAL. DO NOT USE FOR CONSTRUCTION.

Autodesk Docs/60711-003_Wilson_WTP_Rehab_Filter_Basins/60711-003-7100-EB2-ELEC.rvt
11/19/2024 10:29:41 AM

REV	ISSUED FOR	DATE	BY

PROJECT MANAGER:	T. HUDSON
DESIGNED BY:	N. NELSON
DRAWN BY:	N. NELSON
PROJECT ENGINEER:	B. BUELTEL
IF THIS BAR DOES NOT MEASURE 1" THEN DRAWING IS NOT TO FULL SCALE	



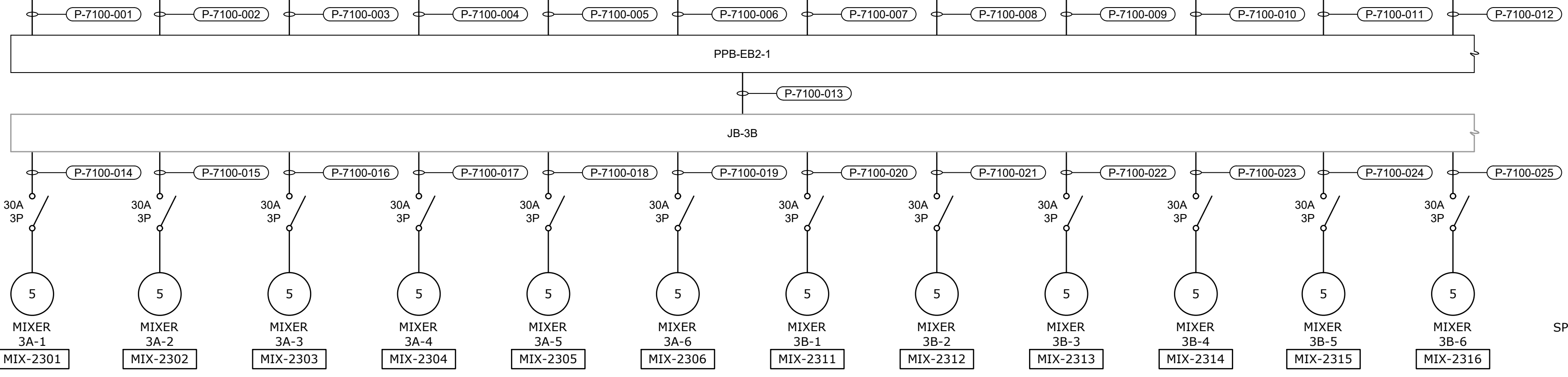
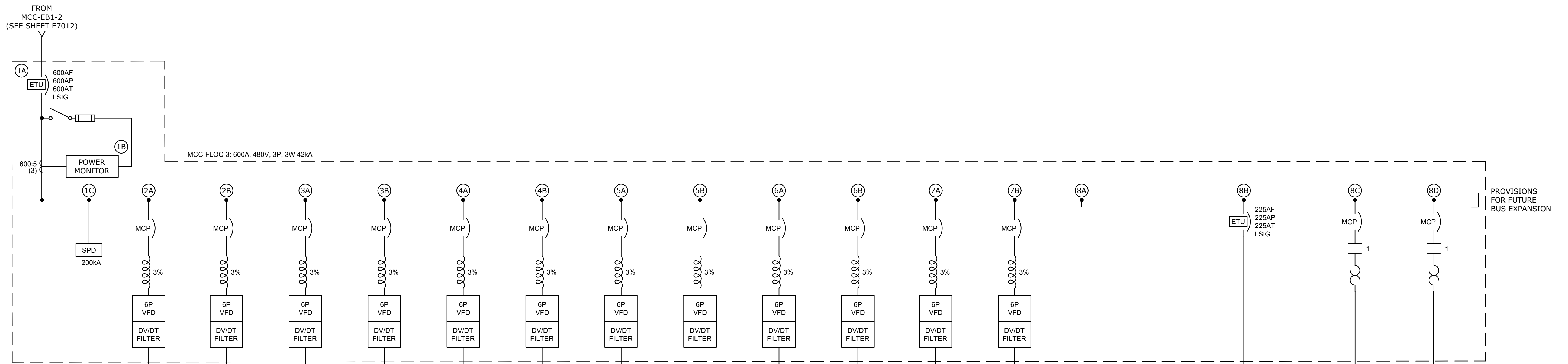
Hazen
HAZEN AND SAWYER
8150 N. CENTRAL EXPRESSWAY
TOWER II - SUITE 700
DALLAS, TEXAS 75206

CENTRAL ARKANSAS WATER
LITTLE ROCK, ARKANSAS

JACK H. WILSON WTP RENEWAL
AND RESILIENCY PROJECT

ELECTRICAL BUILDING No. 2
ELECTRICAL
CABLE TRAY PLAN

DATE:	NOVEMBER 2024
HAZEN NO.:	60711-003
CONTRACT NO.:	1
DRAWING NUMBER:	E7102



MCC-FLOC-3
SINGLE-LINE DIAGRAM

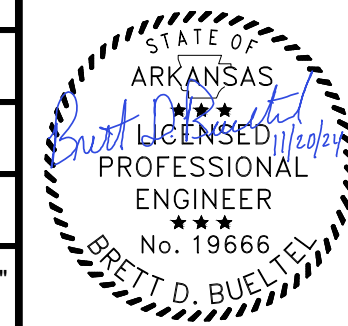
SECTION 1	SECTION 2	SECTION 3	SECTION 4	SECTION 5	SECTION 6	SECTION 7	SECTION 8	SECTION 9
1A	2A	3A	4A	5A	6A	7A	8A	
1B	2B	3B	4B	5B	6B	7B	8B	
1C							8C	
							8D	
20"	20"	20"	20"	20"	20"	20"	20"	

MCC-FLOC-3 ELEVATION

N.T.S.

REV	ISSUED FOR	DATE	BY

PROJECT MANAGER:	T. HUDSON
DESIGNED BY:	N. NELSON
DRAWN BY:	N. NELSON
PROJECT ENGINEER:	B. BUELTEL
IF THIS BAR DOES NOT MEASURE 1" THEN DRAWING IS NOT TO FULL SCALE	
0	1/2" 1"



CENTRAL ARKANSAS WATER
LITTLE ROCK, ARKANSAS
JACK H. WILSON WTP RENEWAL AND
RESILIENCY PROJECT

ELECTRICAL BUILDING NO. 2
ELECTRICAL
MCC-FLOC-3 SINGLE-LINE DIAGRAM AND
ELEVATION

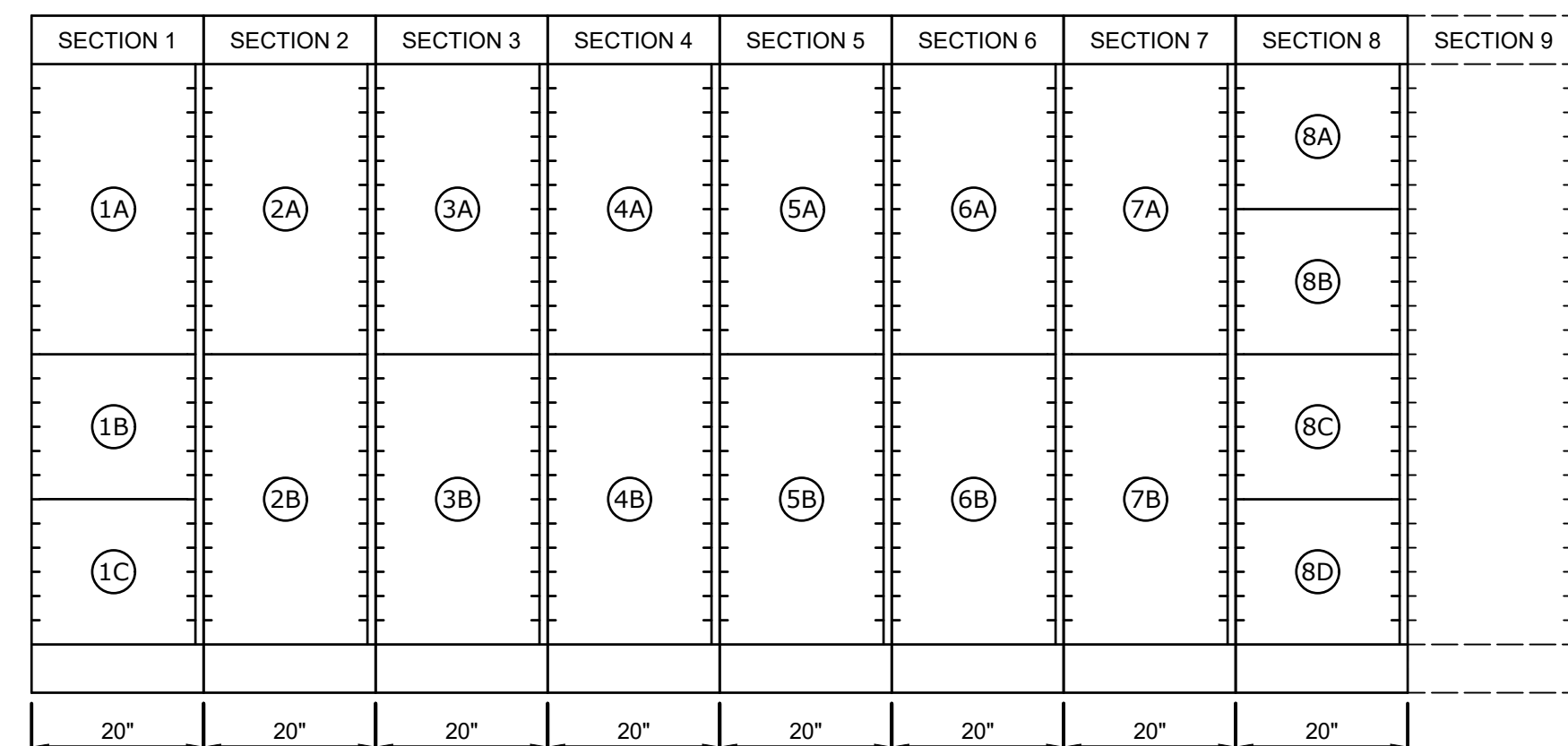
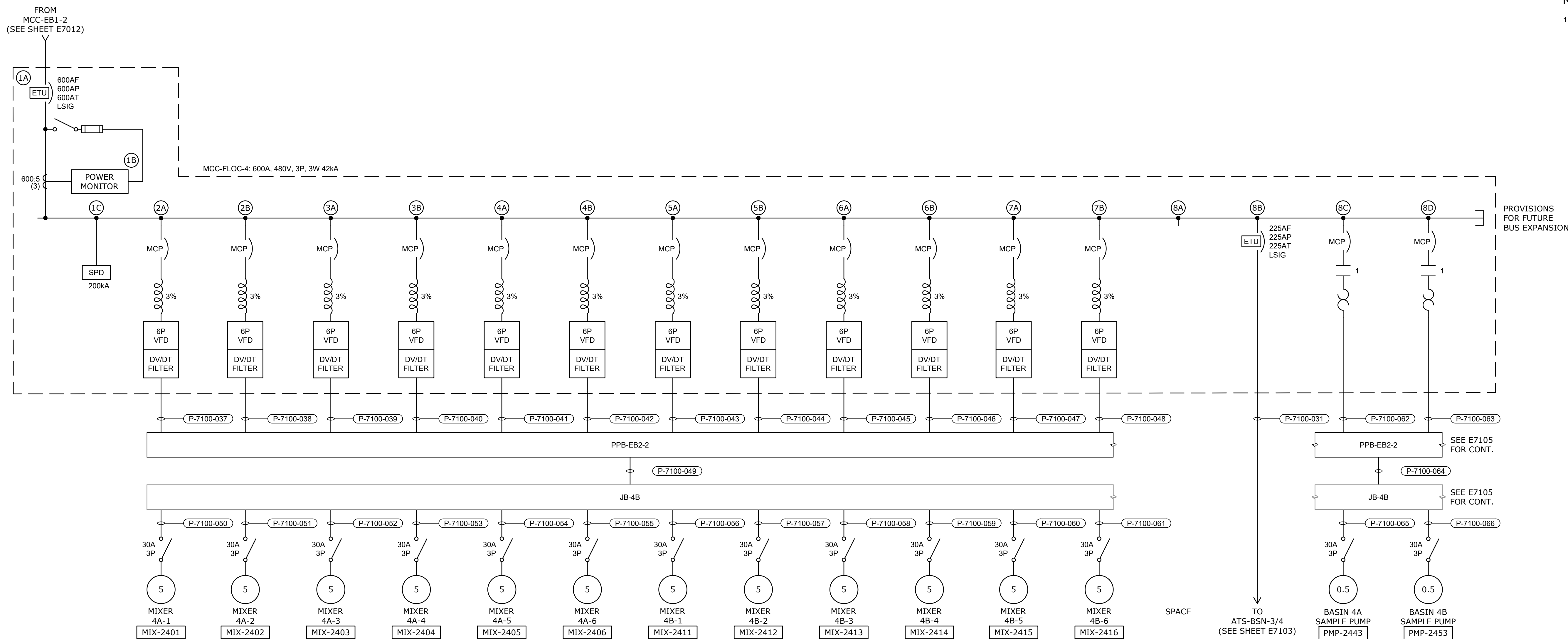
DATE:	NOVEMBER 2024
HAZEN NO.:	60711-003
CONTRACT NO.:	1
DRAWING NUMBER:	E7103

GMP SUBMITTAL. DO NOT USE FOR CONSTRUCTION.

File: C:\USERS\NNELSON\DRAWING\HAZEN AND SAWYER\60711-003_ELECTRICAL\E7103.dwg Saved by NNELSON Save date: 10/22/2024 3:02 PM PLOT DATE: 11/19/2024 1:51 PM BY: NNELSON

NOTES:

- INTERCEPT ONE OF 3 EXISTING 4" CONDUITS THAT RUN TO JB-3B. EXISTING CONDUIT SHALL SHARE CONDUIT TAG WITH NEW SECTION OF CONDUIT.



MCC-FLOC-4 ELEVATION
N.T.S.

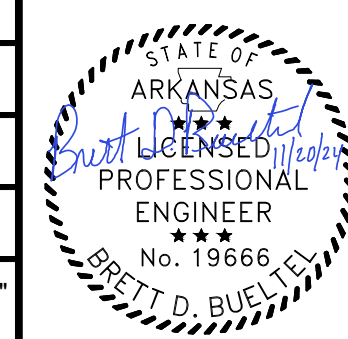
MCC-FLOC-4
SINGLE-LINE DIAGRAM

GMP SUBMITTAL. DO NOT USE FOR CONSTRUCTION.

File: C:\USERS\NNELSON\DRAWING\HAZEN AND SAWYER\60711-001_WILSON_WTP_REHAB_FILTER_BASINPROJECT FILES\900_ELECTRICAL\E7104_Saved by NNELSON.dwg Date: 10/10/2024 12:38 PM

REV	ISSUED FOR	DATE	BY

PROJECT MANAGER:	T. HUDSON
DESIGNED BY:	N. NELSON
DRAWN BY:	N. NELSON
PROJECT ENGINEER:	B. BUELTEL
IF THIS BAR DOES NOT MEASURE 1" THEN DRAWING IS NOT TO FULL SCALE	



Hazen
HAZEN AND SAWYER
8150 N. CENTRAL EXPRESSWAY
TOWER II - SUITE 700
DALLAS, TEXAS 75206

CENTRAL ARKANSAS WATER
LITTLE ROCK, ARKANSAS

JACK H. WILSON WTP RENEWAL AND
RESILIENCY PROJECT

ELECTRICAL BUILDING NO. 2
ELECTRICAL
MCC-FLOC-4 SINGLE LINE DIAGRAM AND
ELEVATION

DATE:	NOVEMBER 2024
HAZEN NO.:	60711-003
CONTRACT NO.:	1
DRAWING NUMBER:	E7104

480/277 VOLTS 3 PHASE, 4 WIRE				PP-BSN-3/4 MAIN BREAKER 225A 3P ETU				TYPE: NEMA 1 MOUNT: SURFACE									
MODS	DESCRIPTION	WIRE	TRIP	POLE	CKT No.	VOLT-AMPERES			CKT No.	POLE	TRIP	WIRE	DESCRIPTION	MODS			
						A	B	C									
	AHU-7101	P-7100-067	20	3	1	2,760	2,760		2			P-7100-068	AHU-7102				
	SPARE		20	3	3				4				SPARE				
	SPARE		20	3	5			2,760	6				SPARE				
	SPARE		20	3	7				8				SPARE				
	SPARE		20	3	9				10				SPARE				
	SPARE		20	3	11				12				SPARE				
	SPARE		20	3	13				14				SPARE				
	SPARE		20	3	15				16				SPARE				
	SPARE		20	3	17				18				SPARE				
	SPARE		15	3	19				20				SPACE				
	SPARE		30	3	21				22				SPACE				
	SPARE		30	3	23				24				SPACE				
	SPARE		30	3	25				26				SPACE				
	SPARE		30	3	27				28				SPACE				
	SPARE		30	3	29				30				SPACE				
	AREA LIGHTING 3	SEE NOTE 4	20	1	31				32				SPACE				
	AREA LIGHTING 4	SEE NOTE 5	20	1	33				34				SPACE				
	BOLLARD BASIN 3	SEE NOTE 4	20	1	35				36				SPACE				
	BOLLARD BASIN 4	SEE NOTE 5	20	1	37				38				SPACE				
	SPARE		20	1	39				40			P-7100-029	TX-BSN-3/4	LFD			
	SPARE		20	1	41				42								
TOTAL						2,760	2,760	2,760	8,720	7,170	9,620	TOTAL					
PHASE TOTAL						11,480	9,930	12,380	TOTAL LOAD (VA)				33,790				
TOTAL LOAD (A)						41				TOTAL LOAD (A)				41			

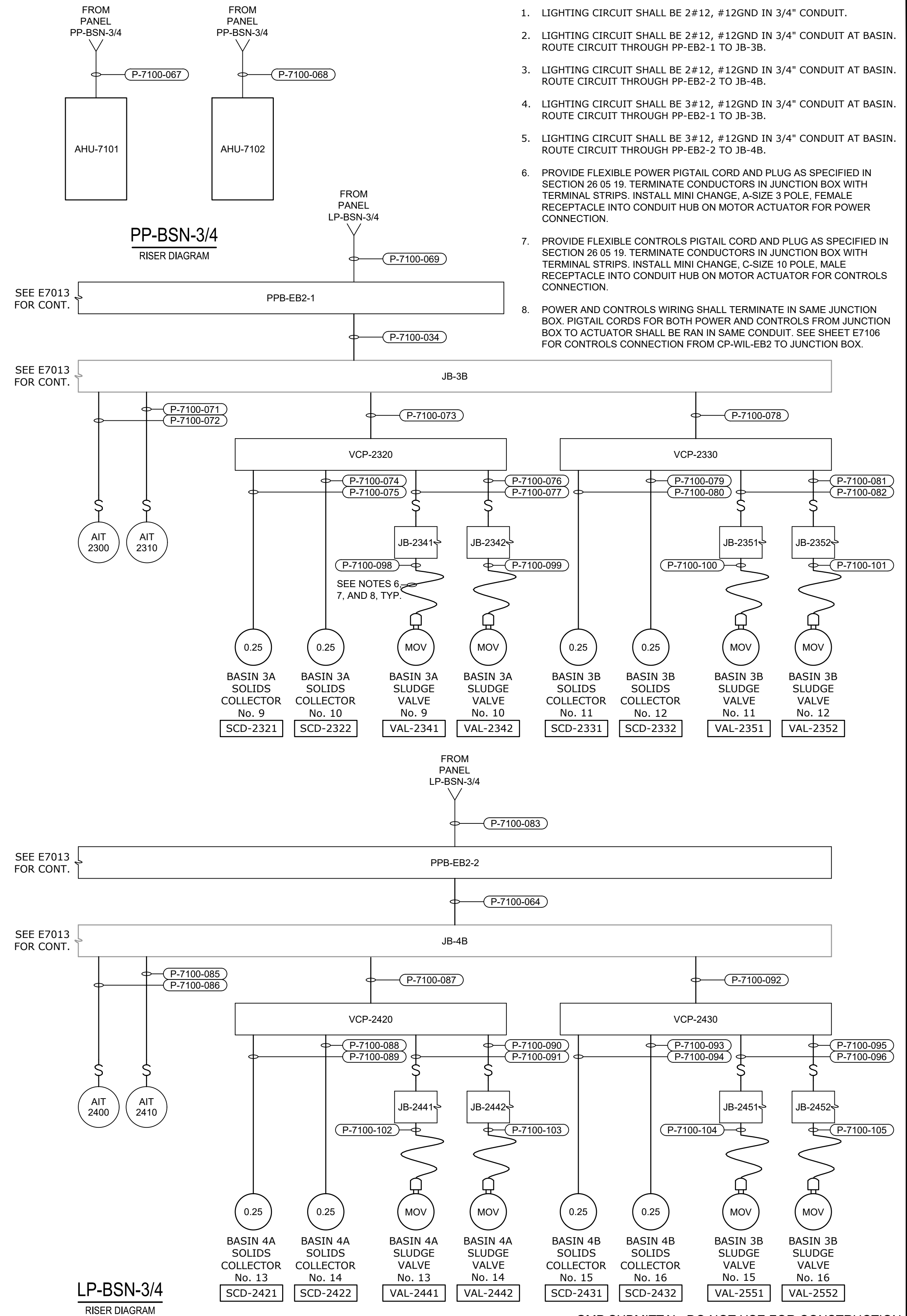
MODIFICATION (MODS) LEGEND:
 EPD - GROUND FAULT CIRCUIT INTERRUPTER (30mA)
 GFCI - GROUND FAULT CIRCUIT INTERRUPTER (5mA)
 LOD - LOCK-ON DEVICE
 LFD - LOCK-OFF DEVICE

NOTES:
 22kAIC
 100kA SPD

208/120 VOLTS 3 PHASE, 4 WIRE				LP-BSN-3/4 MAIN BREAKER 100A 3P				TYPE: NEMA 1 MOUNT: SURFACE									
MODS	DESCRIPTION	WIRE	TRIP	POLE	CKT No.	VOLT-AMPERES			CKT No.	POLE	TRIP	WIRE	DESCRIPTION	MODS			
						A	B	C									
	AIT-2300	P-7100-071	20	1	1	100			2	1	20	P-7100-085	AIT-2400				
	AIT-2310	P-7100-072	20	1	3		100		4	1	20	P-7100-086	AIT-2410				
	SUBMERSIBLE LIGHTING 3-A1	SEE NOTE 2	20	1	5			1,000	6	1	20	SEE NOTE 3	SUBMERSIBLE LIGHTING 4-A1				
	SUBMERSIBLE LIGHTING 3-A2	SEE NOTE 2	20	1	7	1,000			8	1	20	SEE NOTE 3	SUBMERSIBLE LIGHTING 4-A2				
	SUBMERSIBLE LIGHTING 3-B1	SEE NOTE 2	20	1	9			1,000	10	1	20	SEE NOTE 3	SUBMERSIBLE LIGHTING 4-B1				
	SUBMERSIBLE LIGHTING 3-B2	SEE NOTE 2	20	1	11			1,000	12	1	20	SEE NOTE 3	SUBMERSIBLE LIGHTING 4-B2				
	BASIN 3 BOLLARDS	SEE NOTE 2	20	1	13	1,000			14	1	20	SEE NOTE 2	BASIN 3 RECEPT.				
	ELECTRIAL BUILDING 2 INDOOR LIGHTING	SEE NOTE 1	20	1	15			1,000	16	1	20	SEE NOTE 2	SLUDGE VAULTS BASIN 3 LTG.				
	ELECTRIAL BUILDING 2 OUTDOOR LIGHTING	SEE NOTE 1	20	1	17			750	18	1	20	SEE NOTE 3	BASIN 4 RECEPT.				
	ELECTRIAL BUILDING 2 RECEPTACLES	SEE NOTE 1	20	1	19	1,000			20	1	20	SEE NOTE 3	SLUDGE VAULTS BASIN 4 LTG.				
	HVCP-EB2	P-7100-070	20	1	21			1,000	22	1	20	P-7100-073	VCP-2320				
	SPARE		20	1	23				24	1	20	P-7100-078	VCP-2330				
	SPARE		20	1	25				26	1	20	P-7100-087	VCP-2420				
	SPARE		20	1	27				28	1	20	P-7100-092	VCP-2430				
	SPARE		20	1	29				30	1	20	P-7100-097	CP-WIL-EB2				
	SPARE		15	1	31				32	1	15		SPARE				
	SPARE		15	1	33				34	1	15		SPARE				
	SPACE			1	35				36	1			SPACE				
	SPACE			1	37				38	1			SPACE				
	SPACE			1	39				40	1			SPACE				
	SPACE			1	41				42	1			SPACE				
TOTAL						3,100	2,100	3,750	2,860	2,310	4,110	TOTAL					
PHASE TOTAL						5,960	4,410	7,860	TOTAL LOAD (VA)				18,230				
TOTAL LOAD (A)						51				TOTAL LOAD (A)				51			

MODIFICATION (MODS) LEGEND:
 EPD - GROUND FAULT CIRCUIT INTERRUPTER (30mA)
 GFCI - GROUND FAULT CIRCUIT INTERRUPTER (5mA)
 LOD - LOCK-ON DEVICE
 LFD - LOCK-OFF DEVICE

NOTES:
 10kAIC
 100kA SPD

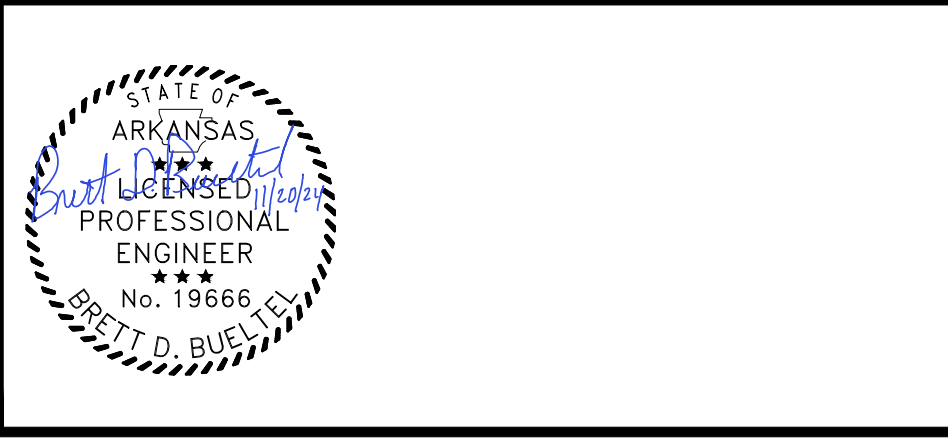


- NOTES:
- LIGHTING CIRCUIT SHALL BE 2#12, #12GND IN 3/4" CONDUIT.
 - LIGHTING CIRCUIT SHALL BE 2#12, #12GND IN 3/4" CONDUIT AT BASIN. ROUTE CIRCUIT THROUGH PP-EB2-1 TO JB-3B.
 - LIGHTING CIRCUIT SHALL BE 2#12, #12GND IN 3/4" CONDUIT AT BASIN. ROUTE CIRCUIT THROUGH PP-EB2-2 TO JB-4B.
 - LIGHTING CIRCUIT SHALL BE 3#12, #12GND IN 3/4" CONDUIT AT BASIN. ROUTE CIRCUIT THROUGH PP-EB2-1 TO JB-3B.
 - LIGHTING CIRCUIT SHALL BE 3#12, #12GND IN 3/4" CONDUIT AT BASIN. ROUTE CIRCUIT THROUGH PP-EB2-2 TO JB-4B.
 - PROVIDE FLEXIBLE POWER PIGTAIL CORD AND PLUG AS SPECIFIED IN SECTION 26 05 19. TERMINATE CONDUCTORS IN JUNCTION BOX WITH TERMINAL STRIPS. INSTALL MINI CHANGE, A-SIZE 3 POLE, FEMALE RECEPTACLE INTO CONDUIT HUB ON MOTOR ACTUATOR FOR POWER CONNECTION.
 - PROVIDE FLEXIBLE CONTROLS PIGTAIL CORD AND PLUG AS SPECIFIED IN SECTION 26 05 19. TERMINATE CONDUCTORS IN JUNCTION BOX WITH TERMINAL STRIPS. INSTALL MINI CHANGE, C-SIZE 10 POLE, MALE RECEPTACLE INTO CONDUIT HUB ON MOTOR ACTUATOR FOR CONTROLS CONNECTION.
 - POWER AND CONTROLS WIRING SHALL TERMINATE IN SAME JUNCTION BOX. PIGTAIL CORDS FOR BOTH POWER AND CONTROLS FROM JUNCTION BOX TO ACTUATOR SHALL BE RAN IN SAME CONDUIT. SEE SHEET E7106 FOR CONTROLS CONNECTION FROM CP-WIL-EB2 TO JUNCTION BOX.

GMP SUBMITTAL. DO NOT USE FOR CONSTRUCTION.

File: C:\USERS\NINELSON\ACC\DC\SHAZEN AND SAWYER\60711-001_WILSON_WTP_REHAB_FILTER_BASINPROJECT FILES\00_ELECTRICAL\7105 Saved by NINELSON Save date: 11/15/2024 1:55 PM
 PLOT DATE: 11/19/2024 1:51 PM BY: NINELSON

PROJECT MANAGER:	T. HUDSON
DESIGNED BY:	N. NELSON
DRAWN BY:	N. NELSON
PROJECT ENGINEER:	B. BUELTEL
IF THIS BAR DOES NOT MEASURE 1" THEN DRAWING IS NOT TO FULL SCALE	0 1/2" 1"



CENTRAL ARKANSAS WATER
 LITTLE ROCK, ARKANSAS

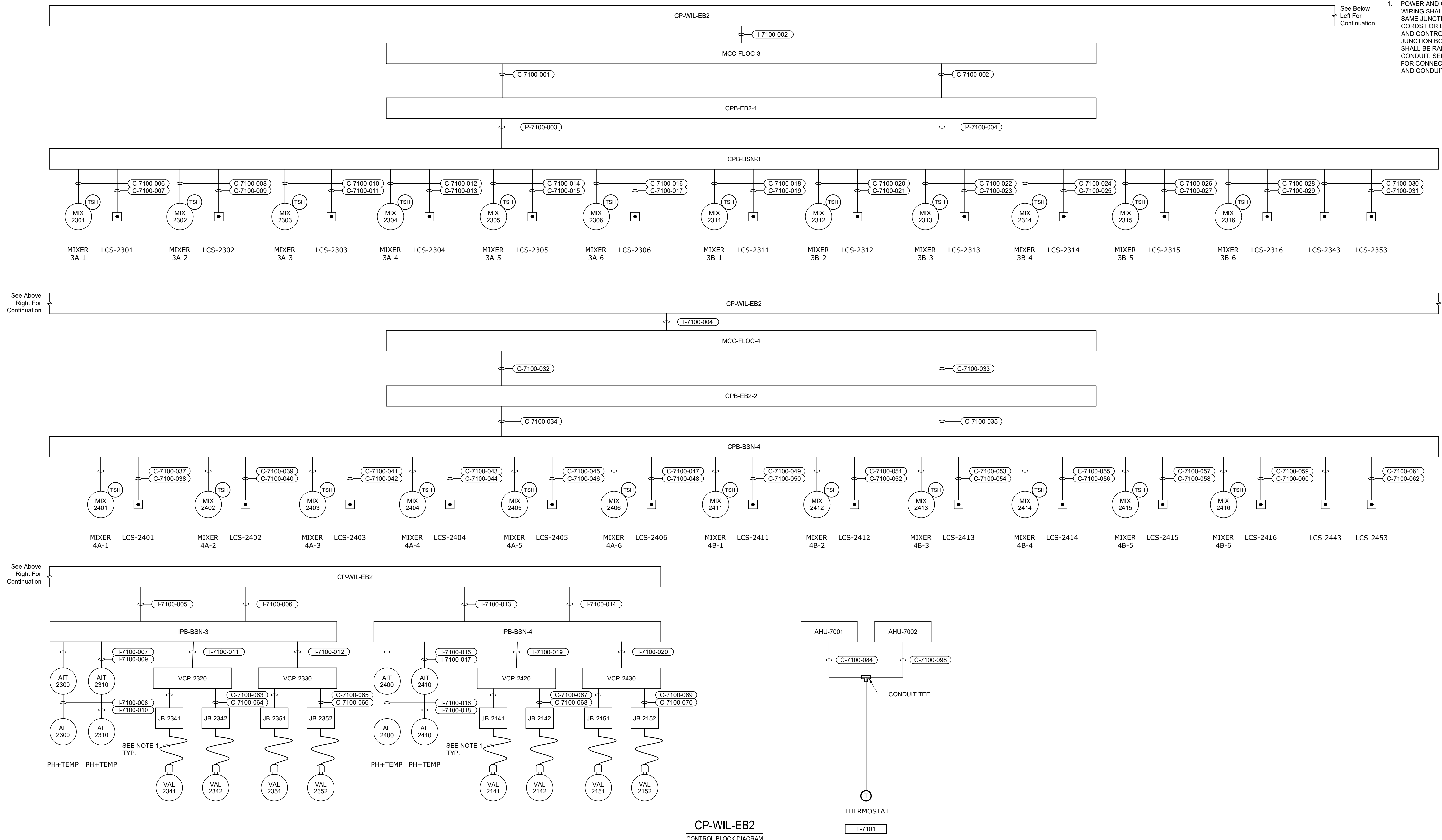
JACK H. WILSON WTP RENEWAL AND RESILIENCY PROJECT

ELECTRICAL BUILDING NO. 2
 ELECTRICAL PANEL SCHEDULES

DATE:	NOVEMBER 2024
HAZEN NO.:	60711-003
CONTRACT NO.:	1
DRAWING NUMBER:	E7105

NOTES:

- POWER AND CONTROLS WIRING SHALL TERMINATE IN SAME JUNCTION BOX. PIGTAIL CORDS FOR BOTH POWER AND CONTROLS FROM JUNCTION BOX TO ACTUATOR SHALL BE RAN IN SAME CONDUIT. SEE SHEET E7105 FOR CONNECTION DETAILS AND CONDUIT NUMBER.



CP-WIL-EB2
CONTROL BLOCK DIAGRAM

GMP SUBMITTAL. DO NOT USE FOR CONSTRUCTION.

File: C:\USERS\NINELSON\ACCC\Hazen\PROJECT FILES\900_ELECTRICAL\E7105 Saved by SCHAYEZ Save date: 11/18/2024 10:42 AM PLOT DATE: 11/19/2024 1:51 PM BY: NINELSON

REV	ISSUED FOR	DATE	BY

PROJECT MANAGER:	T. HUDSON
DESIGNED BY:	N. NELSON
DRAWN BY:	N. NELSON
PROJECT ENGINEER:	B. BUELTEL
IF THIS BAR DOES NOT MEASURE 1" THEN DRAWING IS NOT TO FULL SCALE	



Hazen
HAZEN AND SAWYER
8150 N. CENTRAL EXPRESSWAY
TOWER II - SUITE 700
DALLAS, TEXAS 75206

CENTRAL ARKANSAS WATER
LITTLE ROCK, ARKANSAS

JACK H. WILSON WTP RENEWAL AND
RESILIENCY PROJECT

ELECTRICAL BUILDING NO. 2
ELECTRICAL
CONTROL BLOCK DIAGRAM

DATE:	NOVEMBER 2024
HAZEN NO.:	60711-003
CONTRACT NO.:	1
DRAWING NUMBER:	E7106

File: C:\USERS\NINELSON\ACCDC\SHAZEN AND SAWYER\60711-001_WILSON_WTP_REHAB_FILTER_BASINPROJECT FILES\00_ELECTRICAL\7108_Saved by SCHAVEZ Save date: 11/18/2024 12:41 PM
PLOT DATE: 11/19/2024 1:51 PM BY: NINELSON

CONDUIT NO.	SIZE	FROM	TO	CONDUCTORS	REMARKS
P-7100-001	1-1/2"	MCC-FLOC-3	PPB-EB2-1	#12 VFD CABLE, #12GND	VIA CABLE TRAY
P-7100-002	1-1/2"	MCC-FLOC-3	PPB-EB2-1	#12 VFD CABLE, #12GND	VIA CABLE TRAY
P-7100-003	1-1/2"	MCC-FLOC-3	PPB-EB2-1	#12 VFD CABLE, #12GND	VIA CABLE TRAY
P-7100-004	1-1/2"	MCC-FLOC-3	PPB-EB2-1	#12 VFD CABLE, #12GND	VIA CABLE TRAY
P-7100-005	1-1/2"	MCC-FLOC-3	PPB-EB2-1	#12 VFD CABLE, #12GND	VIA CABLE TRAY
P-7100-006	1-1/2"	MCC-FLOC-3	PPB-EB2-1	#12 VFD CABLE, #12GND	VIA CABLE TRAY
P-7100-007	1-1/2"	MCC-FLOC-3	PPB-EB2-1	#12 VFD CABLE, #12GND	VIA CABLE TRAY
P-7100-008	1-1/2"	MCC-FLOC-3	PPB-EB2-1	#12 VFD CABLE, #12GND	VIA CABLE TRAY
P-7100-009	1-1/2"	MCC-FLOC-3	PPB-EB2-1	#12 VFD CABLE, #12GND	VIA CABLE TRAY
P-7100-010	1-1/2"	MCC-FLOC-3	PPB-EB2-1	#12 VFD CABLE, #12GND	VIA CABLE TRAY
P-7100-011	1-1/2"	MCC-FLOC-3	PPB-EB2-1	#12 VFD CABLE, #12GND	VIA CABLE TRAY
P-7100-012	1-1/2"	MCC-FLOC-3	PPB-EB2-1	#12 VFD CABLE, #12GND	VIA CABLE TRAY
P-7100-013	4"	PPB-EB2-1	JB-3B	12#12 VFD CABLE, #12GND	VIA WALKER DUCT
P-7100-014	1-1/2"	JB-3B	MIX-2301	#12 VFD CABLE, #12GND	VIA DSW
P-7100-015	1-1/2"	JB-3B	MIX-2302	#12 VFD CABLE, #12GND	VIA DSW
P-7100-016	1-1/2"	JB-3B	MIX-2303	#12 VFD CABLE, #12GND	VIA DSW
P-7100-017	1-1/2"	JB-3B	MIX-2304	#12 VFD CABLE, #12GND	VIA DSW
P-7100-018	1-1/2"	JB-3B	MIX-2305	#12 VFD CABLE, #12GND	VIA DSW
P-7100-019	1-1/2"	JB-3B	MIX-2306	#12 VFD CABLE, #12GND	VIA DSW
P-7100-020	1-1/2"	JB-3B	MIX-2311	#12 VFD CABLE, #12GND	VIA DSW
P-7100-021	1-1/2"	JB-3B	MIX-2312	#12 VFD CABLE, #12GND	VIA DSW
P-7100-022	1-1/2"	JB-3B	MIX-2313	#12 VFD CABLE, #12GND	VIA DSW
P-7100-023	1-1/2"	JB-3B	MIX-2314	#12 VFD CABLE, #12GND	VIA DSW
P-7100-024	1-1/2"	JB-3B	MIX-2315	#12 VFD CABLE, #12GND	VIA DSW
P-7100-025	1-1/2"	JB-3B	MIX-2316	#12 VFD CABLE, #12GND	VIA DSW
P-7100-026	2"	MCC-FLOC-3	ATS-BSN-3/4	3#4/0, #4GND	VIA CABLE TRAY
P-7100-027	2"	ATS-BSN-3/4	TX-ISO-3/4	3#4/0, #4GND	
P-7100-028	2"	TX-ISO-3/4	PP-BSN-3/4	4#4/0, #4GND	
P-7100-029	1"	PP-BSN-3/4	TX-BSN-3/4	3#6, #10GND	
P-7100-030	1-1/2"	TX-BSN-3/4	LP-BSN-3/4	4#1, #8GND	
P-7100-031	2"	MCC-FLOC-4	ATS-BSN-3/4	3#4/0, #4GND	VIA CABLE TRAY
P-7100-032	3/4"	MCC-FLOC-3	PPB-EB2-1	3#12, #12GND	VIA CABLE TRAY
P-7100-033	3/4"	MCC-FLOC-3	PPB-EB2-1	3#12, #12GND	VIA CABLE TRAY
P-7100-034	1-1/2"	PPB-EB2-1	JB-3B	14#12, #12GND	VIA WALKER DUCT
P-7100-035	3/4"	JB-3B	PMP-2343	3#12, #12GND	VIA DSW
P-7100-036	3/4"	JB-3B	PMP-2353	3#12, #12GND	VIA DSW
P-7100-037	1-1/2"	MCC-FLOC-4	PPB-EB2-2	#12 VFD CABLE, #12GND	VIA CABLE TRAY
P-7100-038	1-1/2"	MCC-FLOC-4	PPB-EB2-2	#12 VFD CABLE, #12GND	VIA CABLE TRAY
P-7100-039	1-1/2"	MCC-FLOC-4	PPB-EB2-2	#12 VFD CABLE, #12GND	VIA CABLE TRAY
P-7100-040	1-1/2"	MCC-FLOC-4	PPB-EB2-2	#12 VFD CABLE, #12GND	VIA CABLE TRAY
P-7100-041	1-1/2"	MCC-FLOC-4	PPB-EB2-2	#12 VFD CABLE, #12GND	VIA CABLE TRAY
P-7100-042	1-1/2"	MCC-FLOC-4	PPB-EB2-2	#12 VFD CABLE, #12GND	VIA CABLE TRAY
P-7100-043	1-1/2"	MCC-FLOC-4	PPB-EB2-2	#12 VFD CABLE, #12GND	VIA CABLE TRAY
P-7100-044	1-1/2"	MCC-FLOC-4	PPB-EB2-2	#12 VFD CABLE, #12GND	VIA CABLE TRAY
P-7100-045	1-1/2"	MCC-FLOC-4	PPB-EB2-2	#12 VFD CABLE, #12GND	VIA CABLE TRAY
P-7100-046	1-1/2"	MCC-FLOC-4	PPB-EB2-2	#12 VFD CABLE, #12GND	VIA CABLE TRAY
P-7100-047	1-1/2"	MCC-FLOC-4	PPB-EB2-2	#12 VFD CABLE, #12GND	VIA CABLE TRAY
P-7100-048	1-1/2"	MCC-FLOC-4	PPB-EB2-2	#12 VFD CABLE, #12GND	VIA CABLE TRAY
P-7100-049	4"	PPB-EB2-2	JB-4B	12#12 VFD CABLE, #12GND	VIA WALKER DUCT
P-7100-050	1-1/2"	JB-4B	MIX-2401	#12 VFD CABLE, #12GND	VIA DSW
P-7100-051	1-1/2"	JB-4B	MIX-2402	#12 VFD CABLE, #12GND	VIA DSW
P-7100-052	1-1/2"	JB-4B	MIX-2403	#12 VFD CABLE, #12GND	VIA DSW
P-7100-053	1-1/2"	JB-4B	MIX-2404	#12 VFD CABLE, #12GND	VIA DSW
P-7100-054	1-1/2"	JB-4B	MIX-2405	#12 VFD CABLE, #12GND	VIA DSW
P-7100-055	1-1/2"	JB-4B	MIX-2406	#12 VFD CABLE, #12GND	VIA DSW
P-7100-056	1-1/2"	JB-4B	MIX-2411	#12 VFD CABLE, #12GND	VIA DSW
P-7100-057	1-1/2"	JB-4B	MIX-2412	#12 VFD CABLE, #12GND	VIA DSW
P-7100-058	1-1/2"	JB-4B	MIX-2413	#12 VFD CABLE, #12GND	VIA DSW
P-7100-059	1-1/2"	JB-4B	MIX-2414	#12 VFD CABLE, #12GND	VIA DSW
P-7100-060	1-1/2"	JB-4B	MIX-2415	#12 VFD CABLE, #12GND	VIA DSW
P-7100-061	1-1/2"	JB-4B	MIX-2416	#12 VFD CABLE, #12GND	VIA DSW
P-7100-062	3/4"	MCC-FLOC-4	PPB-EB2-2	3#12, #12GND	
P-7100-063	3/4"	MCC-FLOC-4	PPB-EB2-2	3#12, #12GND	
P-7100-064	1-1/2"	PP-EB2-2	JB-4B	14#12, #12GND	VIA WALKER DUCT
P-7100-065	3/4"	JB-4B	PMP-2443	3#12, #12GND	VIA DSW
P-7100-066	3/4"	JB-4B	PMP-2453	3#12, #12GND	VIA DSW
P-7100-067	3/4"	PP-BSN-3/4	AHU-7101	3#12, #12GND	VIA CABLE TRAY
P-7100-068	3/4"	PP-BSN-3/4	AHU-7102	3#12, #12GND	VIA CABLE TRAY
P-7100-069	1-1/2"	PPB-EB2-1	PPB-EB2-1	8#12, #12GND	VIA CABLE TRAY
P-7100-070	3/4"	LP-BSN-3/4	HVCP-EB2	2#12, #12GND	VIA CABLE TRAY
P-7100-071	3/4"	JB-3B	AIT-2310	2#12, #12GND	VIA DSW
P-7100-072	3/4"	JB-3B	AIT-2300	2#12, #12GND	VIA DSW
P-7100-073	3/4"	JB-3B	VCP-2320	2#12, #12GND	VIA DSW
P-7100-074	1"	VCP-2320	SCD-2321	MFR. SUPPLIED CABLE	
P-7100-075	1"	VCP-2320	SCD-2322	MFR. SUPPLIED CABLE	
P-7100-076	3/4"	VCP-2320	JB-2341	2#12, #12GND	
P-7100-077	3/4"	VCP-2320	JB-2342	2#12, #12GND	
P-7100-078	3/4"	JB-3B	VCP-2330	2#12, #12GND	
P-7100-079	1"	VCP-2330	SCD-2331	MFR. SUPPLIED CABLE	
P-7100-080	1"	VCP-2330	SCD-2332	MFR. SUPPLIED CABLE	
P-7100-081	3/4"	VCP-2330	JB-2351	2#12, #12GND	
P-7100-082	3/4"	VCP-2330	JB-2352	2#12, #12GND	
P-7100-083	1-1/2"	LP-BSN-3/4	PPB-EB2-2	8#12, #12GND	VIA CABLE TRAY
P-7100-084	3/4"	AHU-7101	T-7101	4#12, #12GND	VIA CONDUIT TEE
P-7100-085	3/4"	JB-4B	AIT-2410	2#12, #12GND	VIA DSW

CONDUIT NO.	SIZE	FROM	TO	CONDUCTORS	REMARKS
P-7100-086	3/4"	JB-4B	AIT-2400	2#12, #12GND	VIA DSW
P-7100-087	3/4"	JB-4B	VCP-2420	2#12, #12GND	
P-7100-088	1"	VCP-2420	SCD-2422	MFR. SUPPLIED CABLE	
P-7100-089	1"	VCP-2420	SCD-2421	MFR. SUPPLIED CABLE	
P-7100-090	3/4"	VCP-2420	JB-2442	2#12, #12GND	
P-7100-091	3/4"	VCP-2420	JB-2441	2#12, #12GND	
P-7100-092	3/4"	JB-4B	VCP-2430	2#12, #12GND	
P-7100-093	1"	VCP-2430	SCD-2432	MFR. SUPPLIED CABLE	
P-7100-094	1"	VCP-2430	SCD-2431	MFR. SUPPLIED CABLE	
P-7100-095	3/4"	VCP-2430	JB-2452	2#12, #12GND	
P-7100-096	3/4"	VCP-2430	JB-2451	2#12, #12GND	
P-7100-097	3/4"	LP-BSN-3/4	CP-WIL-EB2	2#12, #12GND	VIA CABLE TRAY
P-7100-098	3/4"	AHU-7102	T-7101	4#12, #12GND	VIA CONDUIT TEE
P-7100-099	1-1/2"	JB-2341	VAL-2341	(2) PIGTAIL CORDSET	POWER AND CONTROLS
P-7100-100	1-1/2"	JB-2342	VAL-2342	(2) PIGTAIL CORDSET	POWER AND CONTROLS
P-7100-101	1-1/2"	JB-2351	VAL-2351	(2) PIGTAIL CORDSET	POWER AND CONTROLS
P-7100-102	1-1/2"	JB-2352	VAL-2352	(2) PIGTAIL CORDSET	POWER AND CONTROLS
P-XXX-102	1-1/2"	JB-2441	VAL-2441	(2) PIGTAIL CORDSET	POWER AND CONTROLS
P-XXX-103	1-1/2"	JB-2442	VAL-2442	(2) PIGTAIL CORDSET	POWER AND CONTROLS
P-XXX-104	1-1/2"	JB-2451	VAL-2451	(2) PIGTAIL CORDSET	POWER AND CONTROLS
P-XXX-105	1-1/2"	JB-2452	VAL-2452	(2) PIGTAIL CORDSET	POWER AND CONTROLS

CONDUIT NO.	SIZE	FROM	TO	CONDUCTORS	REMARKS
C-7100-001	1-1/2"	MCC-FLOC-3	CPB-EB2-1	66#14, #14GND	VIA CABLE TRAY
C-7100-002	1-1/2"	MCC-FLOC-3	CPB-EB2-1	66#14, #14GND	VIA CABLE TRAY
C-7100-003	2"	CPB-EB2-1	CPB-BSN-3	132#14, #14GND	
C-7100-004	2"	CPB-EB2-1	CPB-BSN-3	EMPTY W/ PULLSTRING	SPARE
C-7100-005	1"	FPP-WIL-EB2	FPP-WIL-ASB	FO CABLE	VIA CABLE TRAY, WALKER DUCT
C-7100-006	3/4"	CPB-BSN-3	MIX-2301	4#14, #14GND	
C-7100-007	3/4"	CPB-BSN-3	LCS-2301	6#14, #14GND	
C-7100-008	3/4"	CPB-BSN-3	MIX-2302	4#14, #14GND	
C-7100-009	3/4"	CPB-BSN-3	LCS-2302	6#14, #14GND	
C-7100-010	3/4"	CPB-BSN-3	MIX-2303	4#14, #14GND	
C-7100-011	3/4"	CPB-BSN-3	LCS-2303	6#14, #14GND	
C-7100-012	3/4"	CPB-BSN-3	MIX-2304	4#14, #14GND	
C-7100-013	3/4"	CPB-BSN-3	LCS-2304	6#14, #14GND	
C-7100-014	3/4"	CPB-BSN-3	MIX-2305	4#14, #14GND	
C-7100-015	3/4"	CPB-BSN-3	LCS-2305	6#14, #14GND	
C-7100-016	3/4"	CPB-BSN-3	MIX-2306	4#14, #14GND	
C-7100-017	3/4"	CPB-BSN-3	LCS-2306	6#14, #14GND	
C-7100-018	3/4"	CPB-BSN-3	MIX-2311	4#14, #14GND	
C-7100-019	3/4"	CPB-BSN-3	LCS-2311	6#14, #14GND	
C-7100-020	3/4"	CPB-BSN-3	MIX-2312	4#14, #14GND	
C-7100-021	3/4"	CPB-BSN-3	LCS-2312	6#14, #14GND	
C-7100-022	3/4"	CPB-BSN-3	MIX-2313	4#14, #14GND	
C-7100-023	3/4"	CPB-BSN-3	LCS-2313	6#14, #14GND	
C-7100-024	3/4"	CPB-BSN-3	MIX-2314	4#14, #14GND	
C-7100-025	3/4"	CPB-BSN-3	LCS-2314	6#14, #14GND	
C-7100-026	3/4"	CPB-BSN-3	MIX-2315	4#14, #14GND	
C-7100-027	3/4"	CPB-BSN-3	LCS-2315	6#14, #14GND	
C-7100-028	3/4"	CPB-BSN-3	MIX-2316	4#14, #14GND	
C-7100-029	3/4"	CPB-BSN-3	LCS-2316	6#14, #14GND	
C-7100-030	3/4"	CPB-BSN-3	LCP-2343	6#14, #14GND	
C-7100-031	3/4"	CPB-BSN-3	LCP-2353	6#14, #14GND	
C-7100-032	1-1/2"	MCC-FLOC-4	CPB-EB2-2	66#14, #14GND	VIA CABLE TRAY
C-7100-033	1-1/2"	MCC-FLOC-4	CPB-EB2-2	66#14, #14GND	VIA CABLE TRAY
C-7100-034	2"	CPB-EB2-2	CPB-BSN-4	132#14, #14GND	
C-7100-035	2"	CPB-EB2-2	CPB-BSN-4	EMPTY W/ PULLSTRING	
C-7100-036	-	-	-	NOT USED	
C-7100-037	3/4"	CPB-BSN-4	MIX-2401	4#14, #14GND	
C-7100-038	3/4"	CPB-BSN-4	LCS-2401	6#14, #14GND	
C-7100-039	3/4"	CPB-BSN-4	MIX-2402	4#14, #14GND	
C-7100-040	3/4"	CPB-BSN-4	LCS-2402	6#14, #14GND	
C-7100-041	3/4"	CPB-BSN-4	MIX-2403	4#14, #14GND	
C-7100-042	3/4"	CPB-BSN-4	LCS-2403	6#14, #14GND	
C-7100-043	3/4"	CPB-BSN-4	MIX-2404	4#14, #14GND	
C-7100-044	3/4"	CPB-BSN-4	LCS-2404	6#14, #14GND	
C-7100-045	3/4"	CPB-BSN-4	MIX-2405	4#14, #14GND	
C-7100-046	3/4"	CPB-BSN-4	LCS-2405	6#14, #14GND	
C-7100-047	3/4"	CPB-BSN-4	MIX-2406	4#14, #14GND	
C-7100-048	3/4"	CPB-BSN-4	LCS-2406	6#14, #14GND	
C-7100-049	3/4"	CPB-BSN-4	MIX-2411	4#14, #14GND	
C-7100-050	3/4"	CPB-BSN-4	LCS-2411	6#14, #14GND	
C-7100-051	3/4"	CPB-BSN-4	MIX-2412	4#14, #14GND	
C-7100-052	3/4"	CPB-BSN-4	LCS-2412	6#14, #14GND	
C-7100-053	3/4"	CPB-BSN-4	MIX-2413	4#14, #14GND	
C-7100-054	3/4"	CPB-BSN-4	LCS-2413	6#14, #14GND	
C-7100-055	3/4"	CPB-BSN-4	MIX-2414	4#14, #14GND	
C-7100-056	3/4"	CPB-BSN-4	LCS-2414	6#14, #14GND	
C-7100-057	3/4"	CPB-BSN-4	MIX-2415	4#14, #14GND	
C-7100-058	3/4"	CPB-BSN-4	LCS-2415	6#14, #14GND	
C-7100-059	3/4"	CPB-BSN-4	MIX-2416	4#14, #14GND	
C-7100-060	3/4"	CPB-BSN-4	LCS-2416	6#14, #14GND	
C-7100-061	3/4"	CPB-BS			

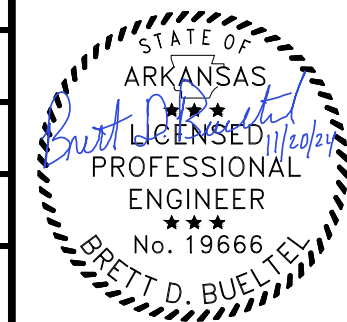
CONDUIT NO.	SIZE	FROM	TO	CONDUCTORS	REMARKS
C-7100-065	3/4"	VCP-2330	VAL-2351	12#14, #14GND	
C-7100-066	3/4"	VCP-2330	VAL-2352	12#14, #14GND	
C-7100-067	3/4"	VCP-2420	VAL-2441	12#14, #14GND	
C-7100-068	3/4"	VCP-2420	VAL-2442	12#14, #14GND	
C-7100-069	3/4"	VCP-2430	VAL-2451	12#14, #14GND	
C-7100-070	3/4"	VCP-2430	VAL-2452	12#14, #14GND	
C-7100-071	1"	FPP-WIL-EB2	FPP-WIL-ASB	EMPTY W/ PULLSTRING	
C-7100-072	3/4"	ACP-EB2	WEST DOOR	EMPTY W/ PULLSTRING	
C-7100-073	3/4"	ACP-EB2	EAST DOOR	EMPTY W/ PULLSTRING	
C-7100-074	3/4"	ACP-EB2	SECURITY CAMERA	EMPTY W/ PULLSTRING	
C-7100-075	-	-	-	NOT USED	
C-7100-076	-	-	-	NOT USED	

CONDUIT NO.	SIZE	FROM	TO	CONDUCTORS	REMARKS
I-7100-001	1"	FPP-WIL-EB2	CP-WIL-EB2	(1) CAT-6 CABLE, #14 GND	
I-7100-002	3/4"	CP-WIL-EB2	MCC-FLOC-3	(1) CAT-6 CABLE, #14 GND	
I-7100-003	-	-	-	NOT USED	
I-7100-004	3/4"	CP-WIL-EB2	MCC-FLOC-4	(1) CAT-6 CABLE, #14 GND	
I-7100-005	1-1/2"	CP-WIL-EB2	IPB-BSN-3	4(2/C#16TSH), #14GND	
I-7100-006	1-1/2"	CP-WIL-EB2	IBP-BSN-3	(2) CAT-6 CABLE, #14 GND	
I-7100-007	1"	IBP-BSN-3	AIT-2300	2(2/C#16TSH), #14GND	
I-7100-008	1"	AIT-2300	AE-2300	MAN. SUPPLIED CABLE	
I-7100-009	1"	IBP-BSN-3	AIT-2310	2(2/C#16TSH), #14GND	
I-7100-010	1"	AIT-2310	AE-2310	MAN. SUPPLIED CABLE	
I-7100-011	3/4"	IBP-BSN-3	VCP-2320	(1) CAT-6 CABLE, #14 GND	
I-7100-012	3/4"	IBP-BSN-3	VCP-2330	(1) CAT-6 CABLE, #14 GND	
I-7100-013	1-1/2"	CP-WIL-EB2	IBP-BSN-4	4(2/C#16TSH), #14GND	
I-7100-014	1-1/2"	CP-WIL-EB2	IBP-BSN-4	(1) CAT-6 CABLE, #14 GND	
I-7100-015	1"	IBP-BSN-4	AIT-2400	2(2/C#16TSH), #14GND	
I-7100-016	1"	AIT-2400	AE-2400	2(2/C#16TSH), #14GND	
I-7100-017	1"	IBP-BSN-4	AIT-2410	2(2/C#16TSH), #14GND	
I-7100-018	1"	AIT-2410	AE-2410	2(2/C#16TSH), #14GND	
I-7100-019	3/4"	IBP-BSN-4	VCP-2420	(1) CAT-6 CABLE, #14 GND	
I-7100-020	3/4"	IBP-BSN-4	VCP-2430	(1) CAT-6 CABLE, #14 GND	

GMP SUBMITTAL. DO NOT USE FOR CONSTRUCTION.

REV	ISSUED FOR	DATE	BY

PROJECT MANAGER:	T. HUDSON
DESIGNED BY:	N. NELSON
DRAWN BY:	N. NELSON
PROJECT ENGINEER:	B. BUELTEL
IF THIS BAR DOES NOT MEASURE 1" THEN DRAWING IS NOT TO FULL SCALE	

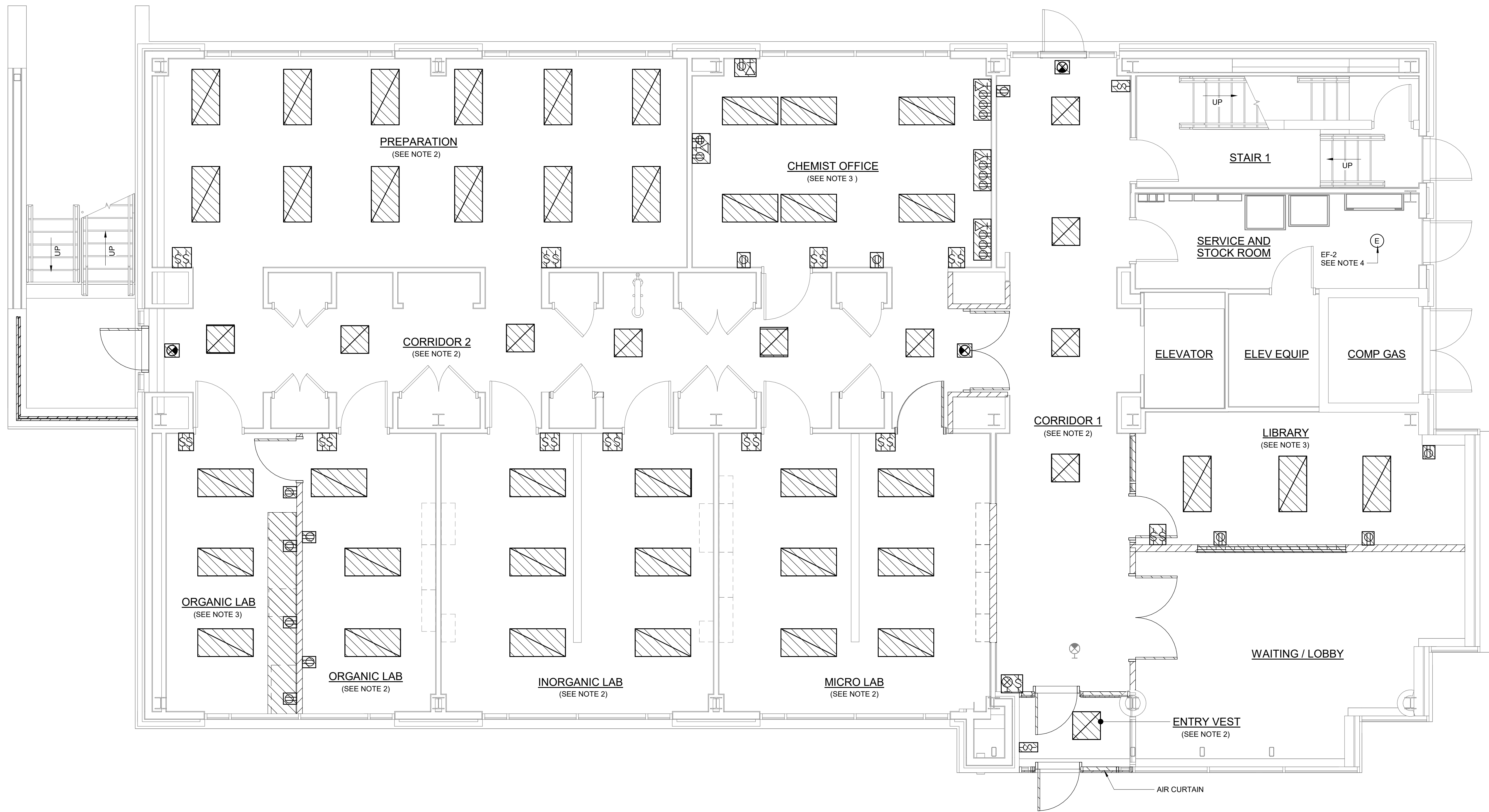
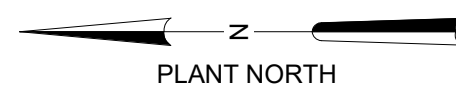


CENTRAL ARKANSAS WATER
LITTLE ROCK, ARKANSAS

JACK H. WILSON WTP RENEWAL AND
RESILIENCY PROJECT

ELECTRICAL BUILDING NO. 2
ELECTRICAL
CONDUIT AND WIRE SCHEDULE

DATE:	NOVEMBER 2024
HAZEN NO.:	60711-003
CONTRACT NO.:	1
DRAWING NUMBER:	E7109



- NOTES:**
1. DEMOLITION PLAN DRAWING INDICATES APPROXIMATE EQUIPMENT LOCATIONS. FIELD VERIFY EXACT LOCATIONS.
 2. DISCONNECT AND REMOVE ALL EXISTING LIGHT FIXTURES AND LIGHT SWITCHES IN THIS ROOM. CONDUIT AND WIRE SHALL REMAIN AND BE REUSED TO SUPPLY NEW LIGHT FIXTURES, LIGHT SWITCHES, AND RECEPTACLES. LIGHT FIXTURES ARE SUPPLIED FROM LIGHTING PANEL "HA". REFERENCE DRAWING E8010 FOR ADDITIONAL INFORMATION.
 3. DISCONNECT AND REMOVE ALL EXISTING LIGHT FIXTURES AND LIGHT SWITCHES IN THIS ROOM. DISCONNECT AND REMOVE ALL EXISTING RECEPTACLES IN THIS ROOM. CONDUIT AND WIRE SHALL REMAIN AND BE REUSED TO SUPPLY NEW LIGHT FIXTURES, LIGHT SWITCHES, AND RECEPTACLES. LIGHT FIXTURES ARE SUPPLIED FROM LIGHTING PANEL "HA". RECEPTACLES ARE SUPPLIED FROM LIGHTING PANELS "LA" AND "LB". REFERENCE DRAWING E8010 FOR ADDITIONAL INFORMATION.
 4. DISCONNECT AND REMOVE EXISTING EF-2, MS-EF-2, AND ANCILLARY COMPONENTS. DISCONNECT AND REMOVE CONDUCTORS BACK TO SOURCE. REMOVE AND DISCONNECT ASSOCIATED EXPOSED CONDUIT FITTINGS, COUPLINGS AND SUPPORTING DEVICES BETWEEN THE EXISTING EF-2 AND PANELBOARD L.C. REFERENCE DRAWING E8009 FOR ADDITIONAL INFORMATION.
 5. REFERENCE OTHER DISCIPLINE DRAWINGS FOR ADDITIONAL DEMOLITION REQUIREMENTS.

FIRST FLOOR - DEMOLITION PLAN
1/4" = 1'-0"

GMP SUBMITTAL. DO NOT USE FOR CONSTRUCTION.

Autodesk_Docs/60711-001_Wilson_WTP_Renewal_Elec_Bldg/60711-003-8000-AB-ELEC.rvt 11/20/2024 12:52:00 PM

REV	ISSUED FOR	DATE	BY

PROJECT MANAGER:	T. HUDSON
DESIGNED BY:	S. CHAVEZ
DRAWN BY:	S. CHAVEZ
PROJECT ENGINEER:	B. BUELTEL
IF THIS BAR DOES NOT MEASURE 1" THEN DRAWING IS NOT TO FULL SCALE	



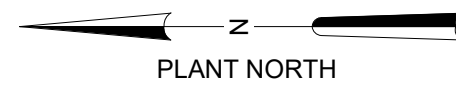
Hazen
HAZEN AND SAWYER
8150 N. CENTRAL EXPRESSWAY
TOWER II - SUITE 700
DALLAS, TEXAS 75206

CENTRAL ARKANSAS WATER
LITTLE ROCK, ARKANSAS

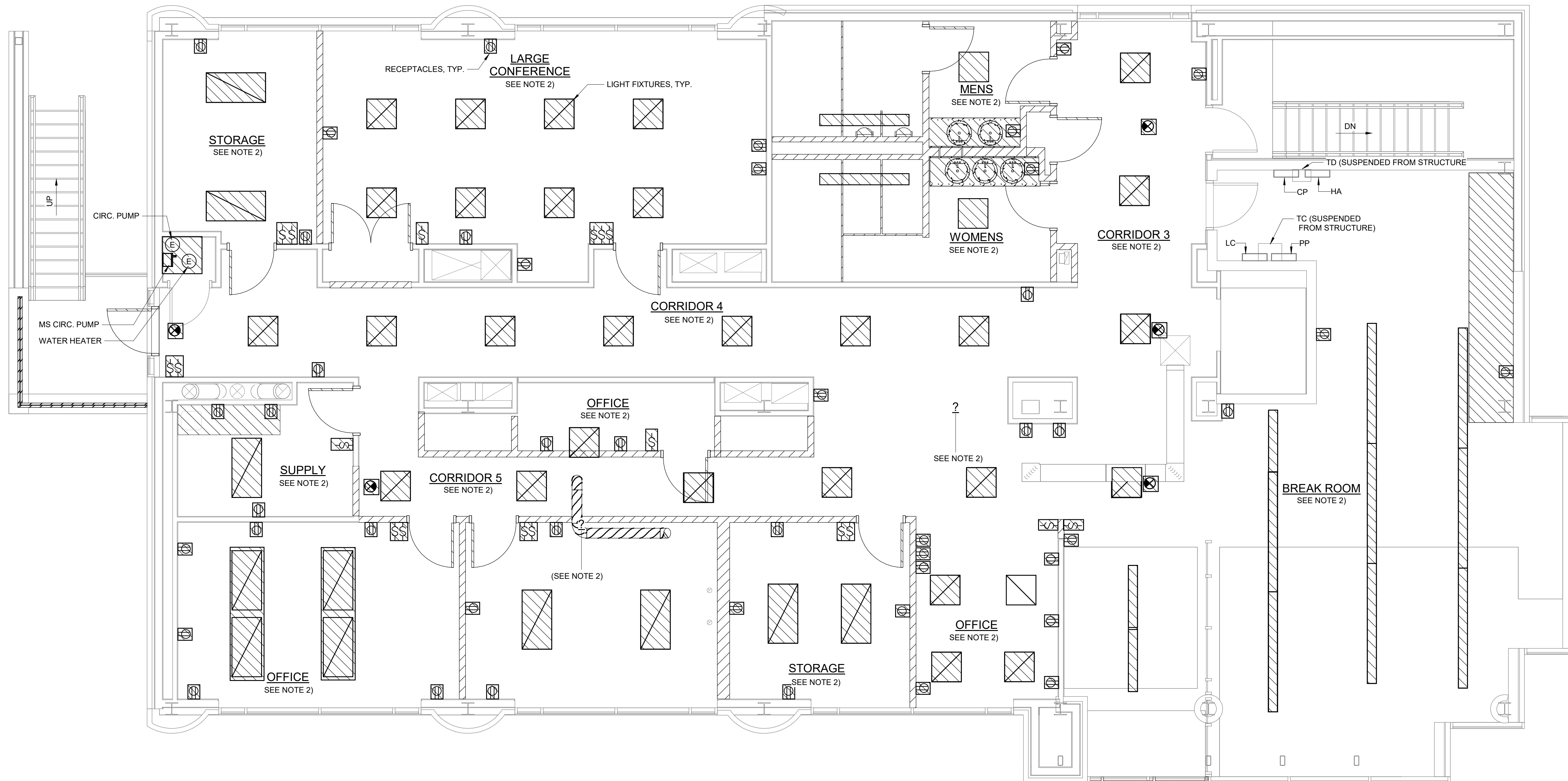
JACK H. WILSON WTP RENEWAL
AND RESILIENCY PROJECT

ADMINISTRATION BUILDING
ELECTRICAL
FIRST FLOOR - DEMOLITION PLAN

DATE:	NOVEMBER 2024
HAZEN NO.:	60711-003
CONTRACT NO.:	1
DRAWING NUMBER:	E8000



- NOTES:**
- DEMOLITION PLAN DRAWING INDICATES APPROXIMATE EQUIPMENT LOCATIONS. FIELD VERIFY EXACT LOCATIONS.
 - DISCONNECT AND REMOVE ALL EXISTING LIGHT FIXTURES AND LIGHT SWITCHES IN THIS ROOM. DISCONNECT AND REMOVE ALL EXISTING RECEPTACLES IN THIS ROOM. CONDUIT AND WIRE SHALL REMAIN AND BE REUSED TO SUPPLY NEW LIGHT FIXTURES, LIGHT SWITCHES, AND RECEPTACLES. LIGHT FIXTURES ARE SUPPLIED FROM LIGHTING PANEL "HA". RECEPTACLES ARE SUPPLIED FROM LIGHTING PANEL "LC". REFERENCE DRAWING E8010 FOR ADDITIONAL INFORMATION.
 - REFERENCE OTHER DISCIPLINE DRAWINGS FOR ADDITIONAL DEMOLITION REQUIREMENTS.



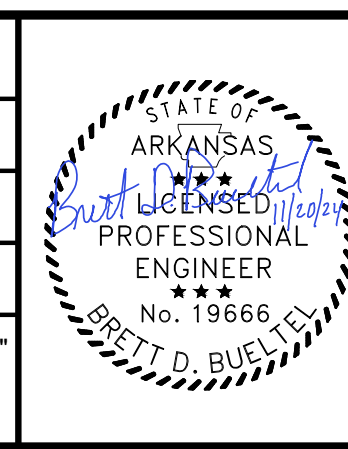
SECOND FLOOR - DEMOLITION PLAN
1/4" = 1'-0"

GMP SUBMITTAL. DO NOT USE FOR CONSTRUCTION.

Autodesk_Docs\60711-001_Wilson_WTP_Renewal_Elec_Basem60711-003-8000-AB-ELEC.rvt 11/19/2024 12:52:10 PM

REV	ISSUED FOR	DATE	BY

PROJECT MANAGER:	T. HUDSON
DESIGNED BY:	S. CHAVEZ
DRAWN BY:	S. CHAVEZ
PROJECT ENGINEER:	B. BUELTEL
IF THIS BAR DOES NOT MEASURE 1" THEN DRAWING IS NOT TO FULL SCALE	



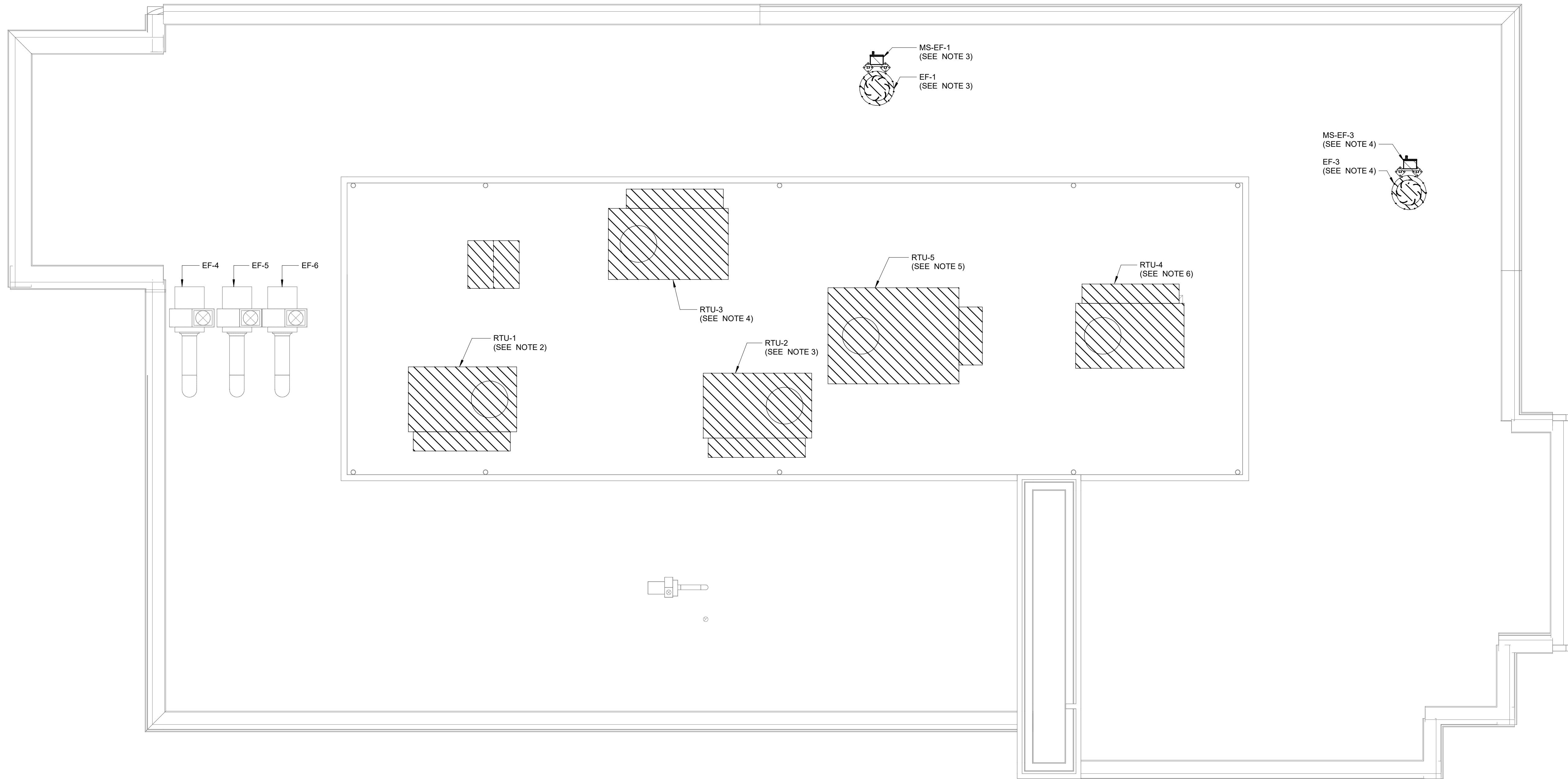
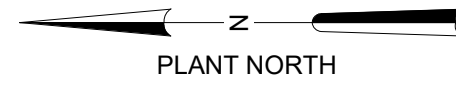
Hazen
HAZEN AND SAWYER
8150 N. CENTRAL EXPRESSWAY
TOWER II - SUITE 700
DALLAS, TEXAS 75206

CENTRAL ARKANSAS WATER
LITTLE ROCK, ARKANSAS

JACK H. WILSON WTP RENEWAL
AND RESILIENCY PROJECT

ADMINISTRATION BUILDING
ELECTRICAL
SECOND FLOOR - DEMOLITION PLAN

DATE:	NOVEMBER 2024
HAZEN NO.:	60711-003
CONTRACT NO.:	1
DRAWING NUMBER:	E8001



- NOTES:**
1. DEMOLITION PLAN DRAWING INDICATES APPROXIMATE EQUIPMENT LOCATIONS. FIELD VERIFY EXACT LOCATIONS.
 2. DISCONNECT AND REMOVE EXISTING RTU-1, RTU-2, RTU-3, RTU-4, RTU-5 AND ANCILLARY COMPONENTS. DISCONNECT AND REMOVE CONDUCTORS BACK TO SOURCE. REMOVE LOCAL DISCONNECT SWITCHES, LOCAL CONTROL PANELS, ASSOCIATED EXPOSED CONDUIT FITTINGS, COUPLINGS AND SUPPORTING DEVICES BETWEEN THE EXISTING RTU-1 AND PANELBOARD HA.
 3. DISCONNECT AND REMOVE EXISTING EF-1, AND ANCILLARY COMPONENTS. DISCONNECT AND REMOVE CONDUCTORS BACK TO SOURCE. REMOVE AND DISCONNECT ASSOCIATED EXPOSED CONDUIT FITTINGS, COUPLINGS AND SUPPORTING DEVICES BETWEEN THE EXISTING EF-1 AND PANELBOARD LC.
 4. DISCONNECT AND REMOVE EXISTING MS-EF-3, AND ANCILLARY COMPONENTS. DISCONNECT AND REMOVE CONDUCTORS BACK TO SOURCE. REMOVE AND DISCONNECT ASSOCIATED EXPOSED CONDUIT FITTINGS, COUPLINGS AND SUPPORTING DEVICES BETWEEN THE EXISTING EF-3 AND PANELBOARD LC.
 5. REFERENCE OTHER DISCIPLINE DRAWINGS FOR ADDITIONAL DEMOLITION REQUIREMENTS.

ROOF - DEMOLITION
1/4" = 1'-0"

GMP SUBMITTAL. DO NOT USE FOR CONSTRUCTION.

Autodesk_Docs/60711-001_Wilson_WTP_Rehab_Plan_Basem60711-003-8000-AB-ELEC.rvt 11/19/2024 12:52:11 PM

REV	ISSUED FOR	DATE	BY

PROJECT MANAGER:	T. HUDSON
DESIGNED BY:	S. CHAVEZ
DRAWN BY:	S. CHAVEZ
PROJECT ENGINEER:	B. BUELTEL
IF THIS BAR DOES NOT MEASURE 1" THEN DRAWING IS NOT TO FULL SCALE	



Hazen
HAZEN AND SAWYER
8150 N. CENTRAL EXPRESSWAY
TOWER II - SUITE 700
DALLAS, TEXAS 75206

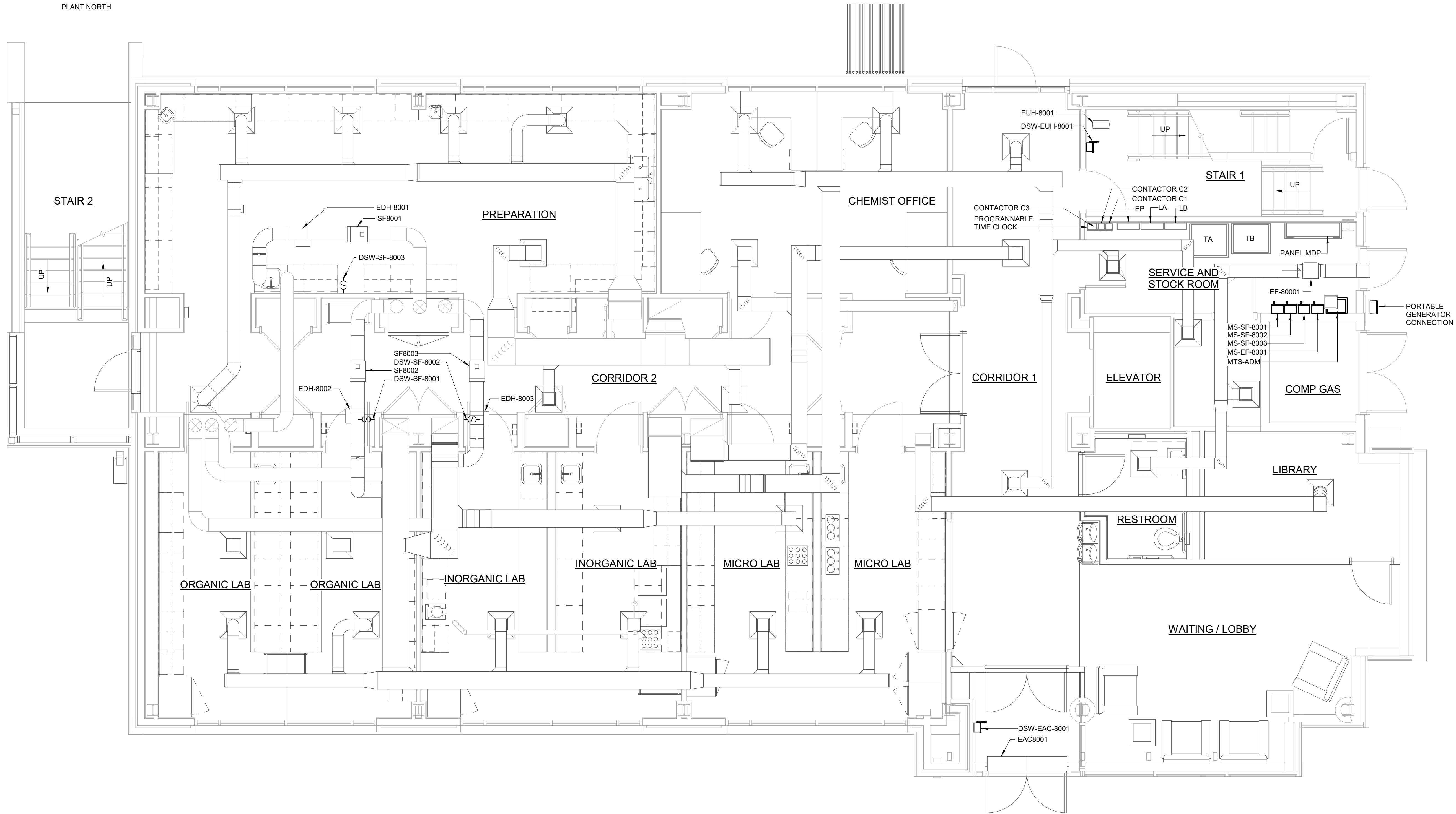
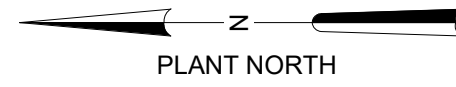
CENTRAL ARKANSAS WATER
LITTLE ROCK, ARKANSAS

JACK H. WILSON WTP RENEWAL
AND RESILIENCY PROJECT

ADMINISTRATION BUILDING
ELECTRICAL
ROOF - DEMOLITION PLAN

DATE:	NOVEMBER 2024
HAZEN NO.:	60711-003
CONTRACT NO.:	1
DRAWING NUMBER:	E8002

NOTES:
 1. PLAN DRAWINGS INDICATE APPROXIMATE EQUIPMENT LOCATIONS. COORDINATE EXACT LOCATION WITH FIELD REQUIREMENTS AND OTHER DISCIPLINES.



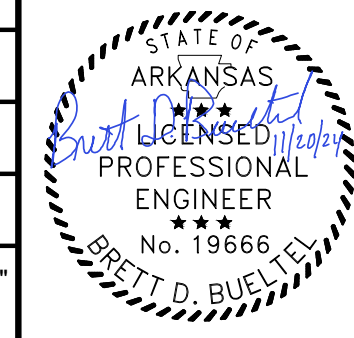
POWER PLAN - FIRST FLOOR
 1/4" = 1'-0"

GMP SUBMITTAL. DO NOT USE FOR CONSTRUCTION.

Autodesk_Docs/60711-001_Wilson_WTP_Rehab_Elec_Basem60711-003-8000-AB-ELEC.rvt 11/19/2024 12:52:12 PM

REV	ISSUED FOR	DATE	BY

PROJECT MANAGER:	T. HUDSON
DESIGNED BY:	S. CHAVEZ
DRAWN BY:	S. CHAVEZ
PROJECT ENGINEER:	B. BUELTEL
IF THIS BAR DOES NOT MEASURE 1" THEN DRAWING IS NOT TO FULL SCALE	



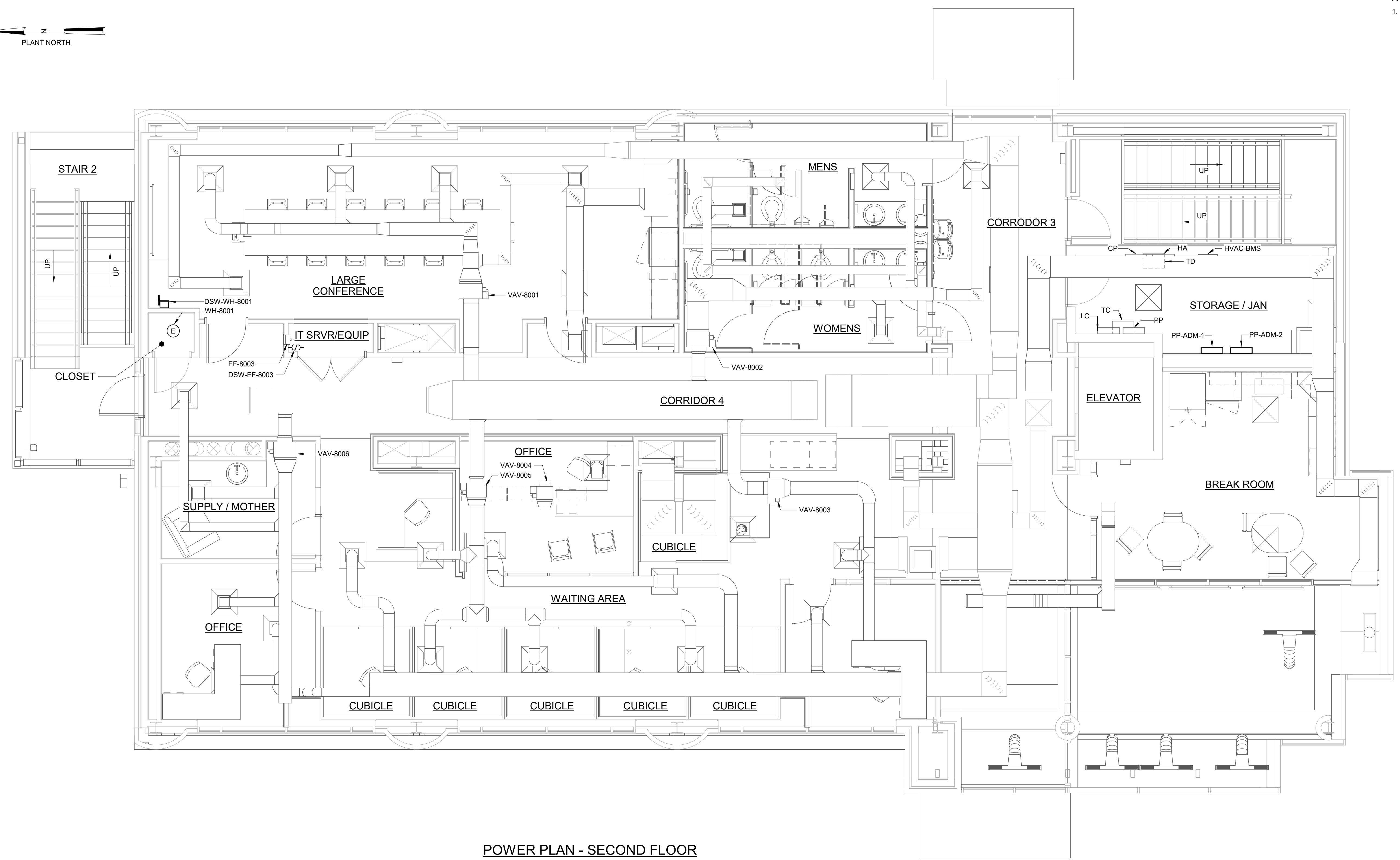
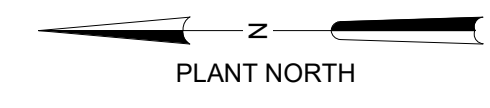
Hazen
 HAZEN AND SAWYER
 8150 N. CENTRAL EXPRESSWAY
 TOWER II - SUITE 700
 DALLAS, TEXAS 75206

CENTRAL ARKANSAS WATER
 LITTLE ROCK, ARKANSAS
 JACK H. WILSON WTP RENEWAL
 AND RESILIENCY PROJECT

ADMINISTRATION BUILDING
 ELECTRICAL
 FIRST FLOOR - POWER PLAN

DATE:	NOVEMBER 2024
HAZEN NO.:	60711-003
CONTRACT NO.:	1
DRAWING NUMBER:	E8003

NOTES:
 1. PLAN DRAWINGS INDICATE APPROXIMATE EQUIPMENT LOCATIONS. COORDINATE EXACT LOCATION WITH FIELD REQUIREMENTS AND OTHER DISCIPLINES.



POWER PLAN - SECOND FLOOR
 1/4" = 1'-0"

GMP SUBMITTAL. DO NOT USE FOR CONSTRUCTION.

Autodesk Docs/60711-001_Wilson_WTP_Rehab_Elec_Basem60711-003-8000-AB-ELEC.rvt
 11/19/2024 12:52:13 PM

REV	ISSUED FOR	DATE	BY

PROJECT MANAGER:	T. HUDSON
DESIGNED BY:	S. CHAVEZ
DRAWN BY:	S. CHAVEZ
PROJECT ENGINEER:	B. BUELTEL
IF THIS BAR DOES NOT MEASURE 1" THEN DRAWING IS NOT TO FULL SCALE	



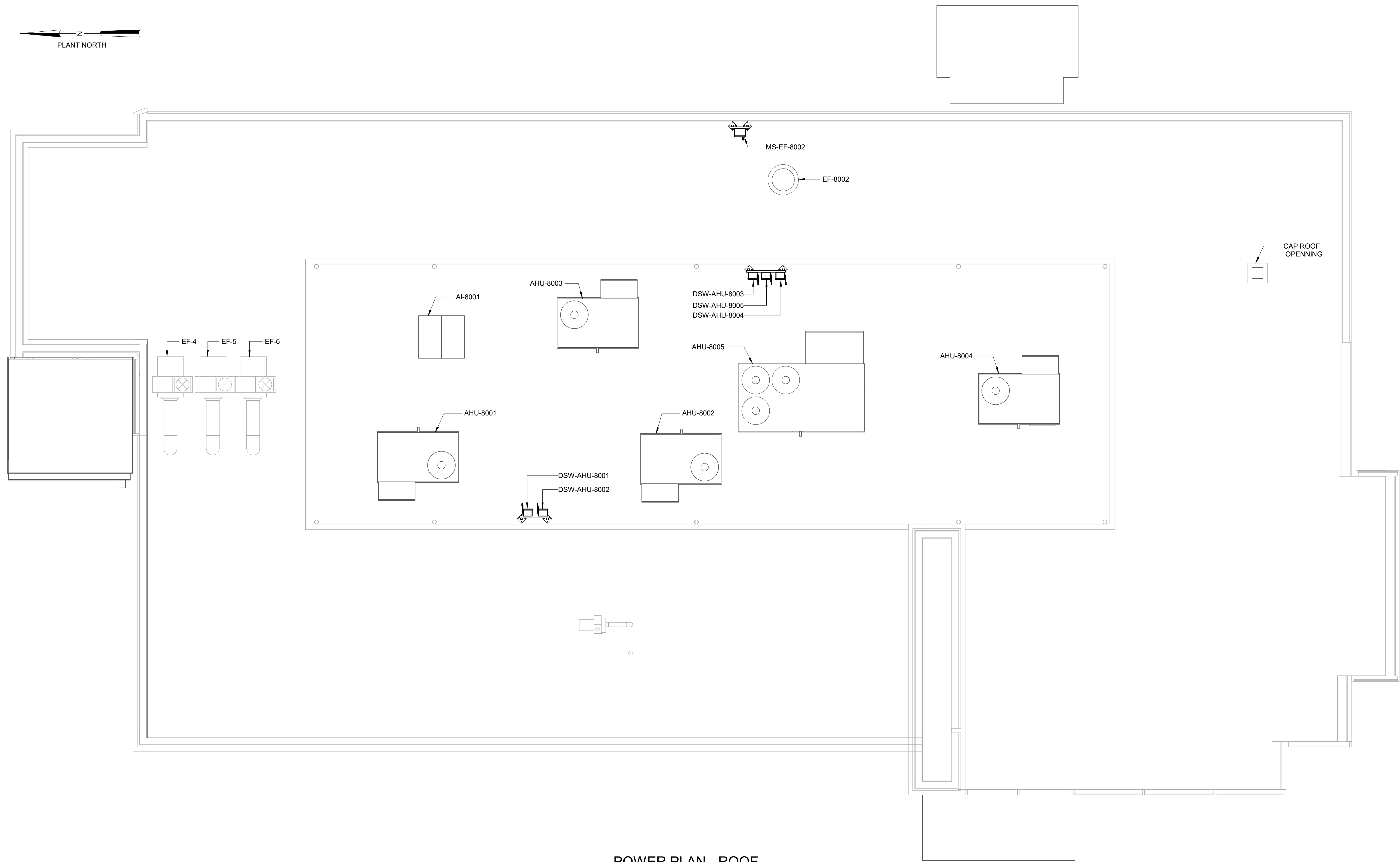
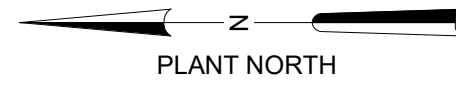
Hazen
 HAZEN AND SAWYER
 8150 N. CENTRAL EXPRESSWAY
 TOWER II - SUITE 700
 DALLAS, TEXAS 75206

CENTRAL ARKANSAS WATER
 LITTLE ROCK, ARKANSAS

JACK H. WILSON WTP RENEWAL
 AND RESILIENCY PROJECT

ADMINISTRATION BUILDING
 ELECTRICAL
 SECOND FLOOR - POWER PLAN

DATE:	NOVEMBER 2024
HAZEN NO.:	60711-003
CONTRACT NO.:	1
DRAWING NUMBER:	E8004



POWER PLAN - ROOF
1/4" = 1'-0"

GMP SUBMITTAL. DO NOT USE FOR CONSTRUCTION.

Autodesk/Doc/60711-001_Wilson_WTP_Rehab_Filter_Basins/60711-003-8000-AB-ELEC.rvt 11/19/2024 12:52:13 PM

REV	ISSUED FOR	DATE	BY

PROJECT MANAGER:	T. HUDSON
DESIGNED BY:	S. CHAVEZ
DRAWN BY:	S. CHAVEZ
PROJECT ENGINEER:	B. BUELTEL
IF THIS BAR DOES NOT MEASURE 1" THEN DRAWING IS NOT TO FULL SCALE	



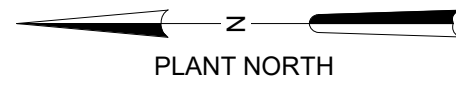
Hazen
HAZEN AND SAWYER
8150 N. CENTRAL EXPRESSWAY
TOWER II - SUITE 700
DALLAS, TEXAS 75206

CENTRAL ARKANSAS WATER
LITTLE ROCK, ARKANSAS

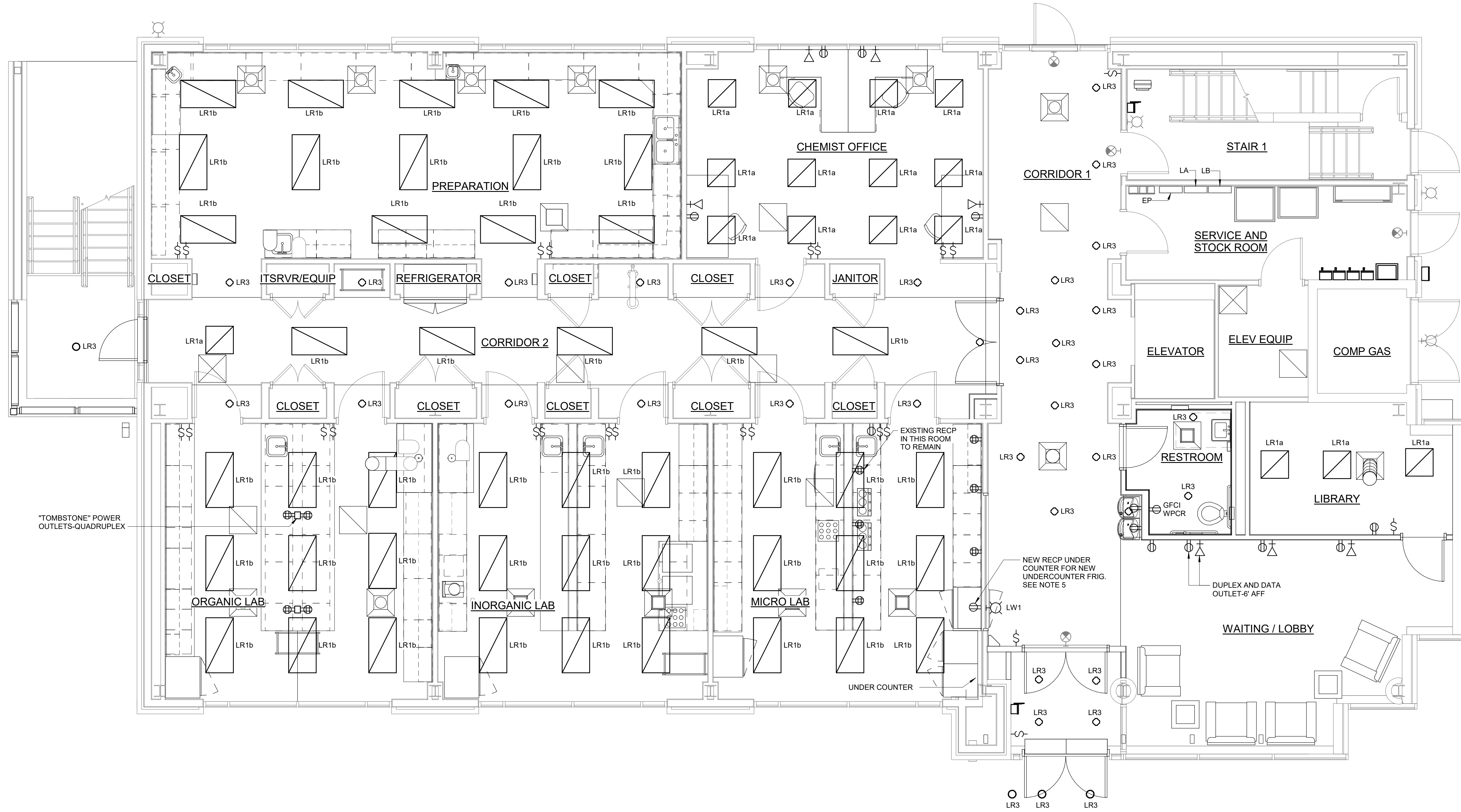
JACK H. WILSON WTP RENEWAL
AND RESILIENCY PROJECT

ADMINISTRATION BUILDING
ELECTRICAL
ROOF - POWER PLAN

DATE:	NOVEMBER 2024
HAZEN NO.:	60711-003
CONTRACT NO.:	1
DRAWING NUMBER:	E8005



- NOTES:**
1. PLAND DRAWINGS INDICATE APPROXIMATE EQUIPMENT LOCATIONS. COORDINATE EXACT LOCATIONS WITH FIELD REQUIREMENTS AND OTHER DISCIPLINES.
 2. FIXTURE TYPE 'LR1a' SHALL BE CEILING MOUNTED.
 3. FIXTURE TYPE 'LR1b' SHALL BE CEILING MOUNTED.
 4. FIXTURE TYPE 'LR3' SHALL BE CEILING MOUNTED.
 5. EXTEND 3/4" RIGID CONDUIT AND CONDUCTOR AS NECESSARY TO NEW UNDERCOUNTER FRIG RECEPTACLE.
 6. EXTEND 3/4" RIGID CONDUIT AND CONDUCTOR AS NECESSARY TO TOMBSTONE AND ENERGY EFFICIENCY FUME HOODS RECEPTACLES.



FIRST FLOOR - LIGHTING PLAN
1/4" = 1'-0"

GMP SUBMITTAL. DO NOT USE FOR CONSTRUCTION.

Autodesk_Docs/06711-001_Wilson_WTP_Rehab_Elec_Basem60711-003-8000-AB-ELEC.rvt 11/20/2024 12:52:14 PM

REV	ISSUED FOR	DATE	BY

PROJECT MANAGER:	T. HUDSON
DESIGNED BY:	S. CHAVEZ
DRAWN BY:	S. CHAVEZ
PROJECT ENGINEER:	B. BUELTEL
IF THIS BAR DOES NOT MEASURE 1" THEN DRAWING IS NOT TO FULL SCALE	



Hazen
HAZEN AND SAWYER
8150 N. CENTRAL EXPRESSWAY
TOWER II - SUITE 700
DALLAS, TEXAS 75206

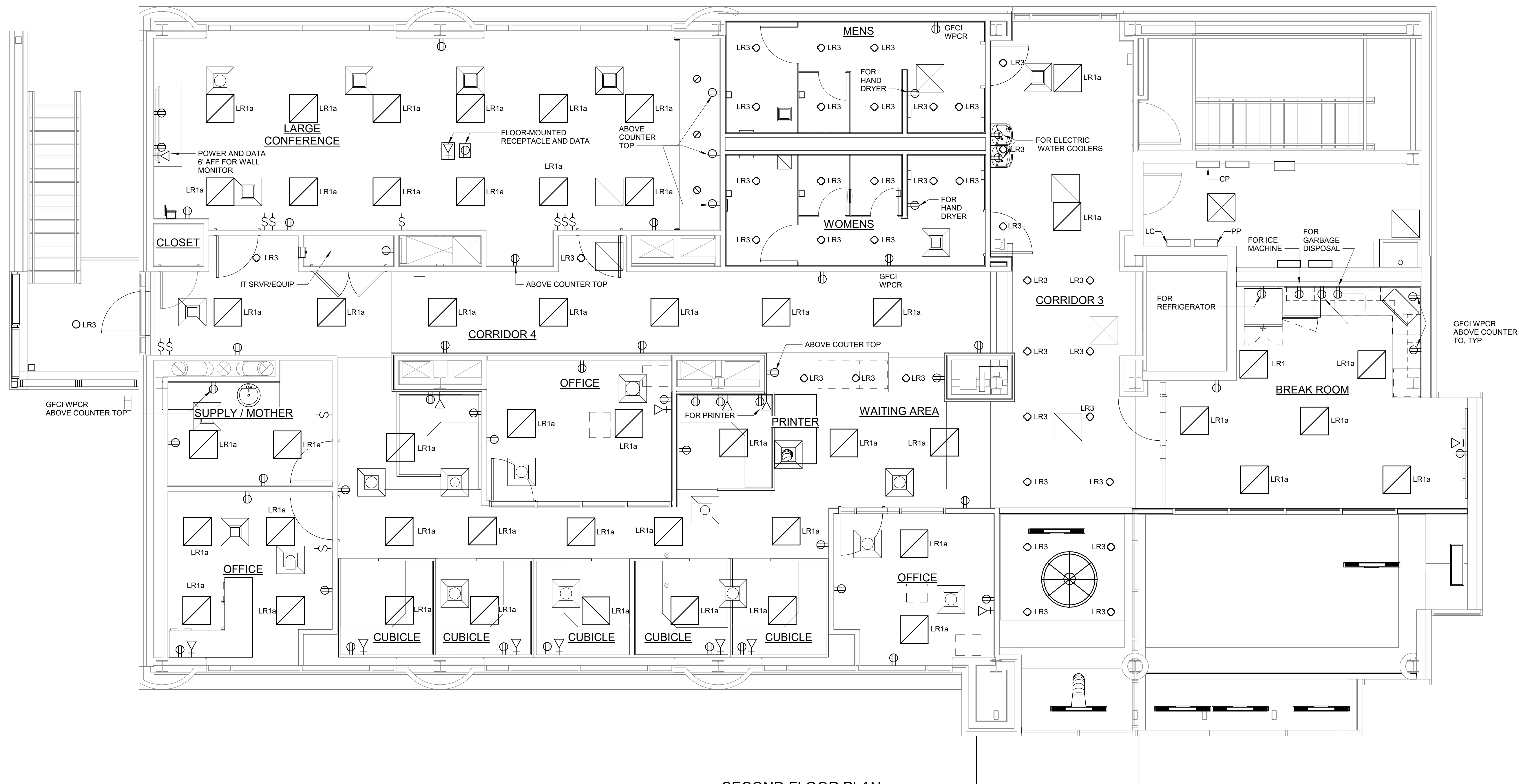
CENTRAL ARKANSAS WATER
LITTLE ROCK, ARKANSAS

JACK H. WILSON WTP RENEWAL
AND RESILIENCY PROJECT

ADMINISTRATION BUILDING
ELECTRICAL
FIRST FLOOR - LIGHTING PLAN

DATE:	NOVEMBER 2024
HAZEN NO.:	60711-003
CONTRACT NO.:	1
DRAWING NUMBER:	E8006

- NOTES:
1. PLAND DRAWINGS INDICATE APPROXIMATE EQUIPMENT LOCATIONS. COORDINATE EXACT LOCATIONS WITH FIELD REQUIREMENTS AND OTHER DISCIPLINES.
 2. FIXTURE TYPE 'LR1a' SHALL BE CEILING MOUNTED.
 3. FIXTURE TYPE 'LR3' SHALL BE CEILING MOUNTED.



SECOND FLOOR PLAN
1/4" = 1'-0"

GMP SUBMITTAL. DO NOT USE FOR CONSTRUCTION.

Autodesk Docs/69711-001_Wilson_WTP_Renewal_Elec_Basem60711-003-8000-AB-ELEC.rvt 11/19/2024 12:52:35 PM

PROJECT MANAGER:	T. HUDSON
DESIGNED BY:	S. CHAVEZ
DRAWN BY:	S. REXHEPI
PROJECT ENGINEER:	B. BUELTEL
IF THIS BAR DOES NOT MEASURE 1" THEN DRAWING IS NOT TO FULL SCALE	0 1/2" 1"



Hazen
HAZEN AND SAWYER
8150 N. CENTRAL EXPRESSWAY
TOWER II - SUITE 700
DALLAS, TEXAS 75206

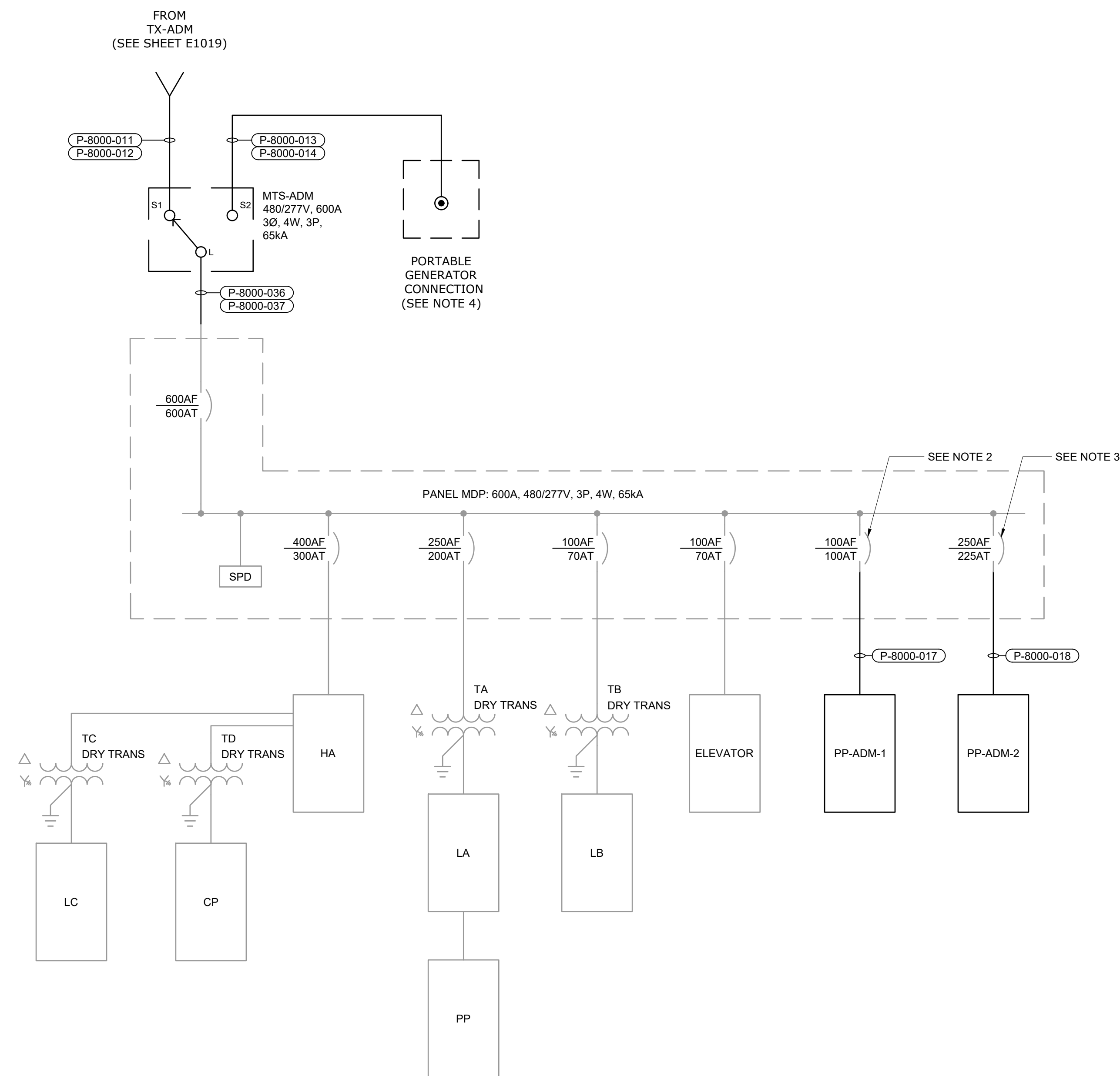
CENTRAL ARKANSAS WATER
LITTLE ROCK, ARKANSAS
JACK H. WILSON WTP RENEWAL
AND RESILIENCY PROJECT

ADMINISTRATION BUILDING
ELECTRICAL
SECOND FLOOR - LIGHTING PLAN

DATE:	NOVEMBER 2024
HAZEN NO.:	60711-003
CONTRACT NO.:	1
DRAWING NUMBER:	E8007

NOTES:

- EXISTING PANEL MDP IS A SIEMENS TYPE S4. THE PANEL MDP S.O. 17-18699-A00.
- UTILIZE EXISTING SPARE CIRCUIT BREAKER TO SUPPLY PANELBOARD PP-ADM-1.
- UTILIZE EXISTING SPARE BREAKER TO SUPPLY PANELBOARD PP-ADM-2.
- FURNISH AND INSTALL POSI-MAX POWER DISTRIBUTION PANEL, CATALOG NUMBER PM1C0600N3R5S, OR APPROVED EQUAL. PROVIDE CAM LOCK RECEPTACLES COMPATIBLE WITH OWNER'S PORTABLE GENERATOR SET CABLES. RECEPTACLES SHALL BE YELLOW - ORANGE - BROWN - GRAY - GREEN IN COLOR TO MATCH OWNER'S EXISTING GENERATOR CONNECTION COLOR CONVENTION.



PANEL "MDP"
SINGLE-LINE DIAGRAM

GMP SUBMITTAL. DO NOT USE FOR CONSTRUCTION.

File: C:\USERS\NINELSON\ACCD\CC\HAZEN AND SAWYER\60711-001_WILSON_WTP_REHAB_FILTER_BASIN\PROJECT FILES\910_ELECTRICAL\E8008_Saved by GDBENKE Save date: 11/15/2024 3:43 PM
PLOT DATE: 11/19/2024 1:51 PM BY: NINELSON

PROJECT MANAGER:	T. HUDSON
DESIGNED BY:	N. NELSON
DRAWN BY:	N. NELSON
PROJECT ENGINEER:	B. BUELTEL
IF THIS BAR DOES NOT MEASURE 1" THEN DRAWING IS NOT TO FULL SCALE	0 1/2" 1"
REV	ISSUED FOR
	DATE
	BY



Hazen
HAZEN AND SAWYER
8150 N. CENTRAL EXPRESSWAY
TOWER II - SUITE 700
DALLAS, TEXAS 75206

CENTRAL ARKANSAS WATER
LITTLE ROCK, ARKANSAS
JACK H. WILSON WTP RENEWAL AND
RESILIENCY PROJECT

ADMINISTRATION BUILDING
ELECTRICAL
PANEL MDP SINGLE LINE DIAGRAM

DATE:	NOVEMBER 2024
HAZEN NO.:	60711-003
CONTRACT NO.:	1
DRAWING NUMBER:	E8008

480/277 VOLTS 3 PHASE, 4 WIRE										PANEL HA MAIN LUGS 400A 3P			TYPE: NEMA 1 MOUNT: SURFACE									
MODS	DESCRIPTION	WIRE	TRIP	POLE	CKT No.	VOLT-AMPERES			CKT No.	POLE	TRIP	WIRE	DESCRIPTION	MODS								
						A	B	C														
-	LT IN OFFICE, CUBILES,	-	20	1	1	-	-	-	2	1	20	-	LT IN CONF, MEN/WOMEN REST RM	-								
-	LT PILOT PLANT	-	20	1	3	-	-	-	4	1	20	-	LTS COR. 1 & 4	-								
-	WALLPACKS/O ST.LTS	-	20	1	5	-	-	-	6	1	20	-	LTS IN ORG, INORG, MICRO LAB	-								
-	LT COR, CORR.1&2, LIBRA,S&S RM	-	20	1	7	-	-	-	8	1	20	-	LTS IN PREP. CHEMIST OFF, LAN TECH	-								
-	HTR VESIBULE - EAST	-	20	1	9	-	-	-	10	1	20	-	UNKNOWN	-								
-	HTR VESIBULE	-	20	1	11	-	-	-	12	1	20	-	UNKNOWN	-								
-	EDH-1	-	25	3	13	-	-	-	14	-	-	-	EDH-3	-								
-	EDH-2	-	25	3	15	-	-	-	16	3	25	-	EDH-3	-								
-	EDH-2	-	25	3	17	-	-	-	18	-	-	-	EDH-3	-								
-	EDH-2	-	25	3	19	-	-	-	20	-	-	-	EDH-3	-								
-	EDH-2	-	25	3	21	-	-	-	22	3	30	-	EDH-3	-								
-	EDH-2	-	25	3	23	-	-	-	24	-	-	-	EDH-3	-								
-	EDH-2	-	25	3	25	-	-	-	26	-	-	-	EDH-3	-								
-	EDH-2	-	25	3	27	-	-	-	28	3	30	-	EDH-3	-								
-	EDH-2	-	25	3	29	-	-	-	30	-	-	-	EDH-3	-								
-	EDH-2	-	25	3	31	-	-	-	32	-	-	-	EDH-3	-								
-	EDH-2	-	25	3	33	-	-	-	34	3	60	-	EDH-3	-								
-	EDH-2	-	25	3	35	-	-	-	36	-	-	-	EDH-3	-								
-	EDH-2	-	25	3	37	-	-	-	38	-	-	-	EDH-3	-								
-	EDH-2	-	25	3	39	-	-	-	40	3	70	-	EDH-3	-								
-	EDH-2	-	25	3	41	-	-	-	42	-	-	-	EDH-3	-								
-	EDH-2	-	25	3	43	-	-	-	44	-	-	-	EDH-3	-								
-	EDH-2	-	25	3	45	-	-	-	46	-	-	-	EDH-3	-								
-	EDH-2	-	25	3	47	-	-	-	48	-	-	-	EDH-3	-								
-	EDH-2	-	25	3	49	-	-	-	50	2	60	-	EDH-3	-								
-	EDH-2	-	25	3	51	-	-	-	52	1	-	-	EDH-3	-								
-	EDH-2	-	25	3	53	-	-	-	54	1	-	-	EDH-3	-								
-	EDH-2	-	25	3	55	-	-	-	56	-	-	-	EDH-3	-								
-	EDH-2	-	25	3	57	-	-	-	58	-	-	-	EDH-3	-								
-	EDH-2	-	25	3	59	-	-	-	60	-	-	-	EDH-3	-								
-	EDH-2	-	25	3	61	-	-	-	62	-	-	-	EDH-3	-								
-	EDH-2	-	25	3	63	-	-	-	64	-	-	-	EDH-3	-								
-	EDH-2	-	25	3	65	-	-	-	66	-	-	-	EDH-3	-								
-	EDH-2	-	25	3	67	-	-	-	68	-	-	-	EDH-3	-								
-	EDH-2	-	25	3	69	-	-	-	70	-	-	-	EDH-3	-								
-	EDH-2	-	25	3	71	-	-	-	72	-	-	-	EDH-3	-								
-	EDH-2	-	25	3	73	-	-	-	74	-	-	-	EDH-3	-								
-	EDH-2	-	25	3	75	-	-	-	76	-	-	-	EDH-3	-								
-	EDH-2	-	25	3	77	-	-	-	78	-	-	-	EDH-3	-								
-	EDH-2	-	25	3	79	-	-	-	80	-	-	-	EDH-3	-								
-	EDH-2	-	25	3	81	-	-	-	82	-	-	-	EDH-3	-								
-	EDH-2	-	25	3	83	-	-	-	84	-	-	-	EDH-3	-								
-	EDH-2	-	25	3	85	-	-	-	86	-	-	-	EDH-3	-								
-	EDH-2	-	25	3	87	-	-	-	88	-	-	-	EDH-3	-								
-	EDH-2	-	25	3	89	-	-	-	90	-	-	-	EDH-3	-								
-	EDH-2	-	25	3	91	-	-	-	92	-	-	-	EDH-3	-								
-	EDH-2	-	25	3	93	-	-	-	94	-	-	-	EDH-3	-								
-	EDH-2	-	25	3	95	-	-	-	96	-	-	-	EDH-3	-								
-	EDH-2	-	25	3	97	-	-	-	98	-	-	-	EDH-3	-								
-	EDH-2	-	25	3	99	-	-	-	100	-	-	-	EDH-3	-								
-	EDH-2	-	25	3	101	-	-	-	102	-	-	-	EDH-3	-								
-	EDH-2	-	25	3	103	-	-	-	104	-	-	-	EDH-3	-								
-	EDH-2	-	25	3	105	-	-	-	106	-	-	-	EDH-3	-								
-	EDH-2	-	25	3	107	-	-	-	108	-	-	-	EDH-3	-								
-	EDH-2	-	25	3	109	-	-	-	110	-	-	-	EDH-3	-								
-	EDH-2	-	25	3	111	-	-	-	112	-	-	-	EDH-3	-								
-	EDH-2	-	25	3	113	-	-	-	114	-	-	-	EDH-3	-								
-	EDH-2	-	25	3	115	-	-	-	116	-	-	-	EDH-3	-								
-	EDH-2	-	25	3	117	-	-	-	118	-	-	-	EDH-3	-								
-	EDH-2	-	25	3	119	-	-	-	120	-	-	-	EDH-3	-								
-	EDH-2	-	25	3	121	-	-	-	122	-	-	-	EDH-3	-								
-	EDH-2	-	25	3	123	-	-	-	124	-	-	-	EDH-3	-								
-	EDH-2	-	25	3	125	-	-	-	126	-	-	-	EDH-3	-								
-	EDH-2	-	25	3	127	-	-	-	128	-	-	-	EDH-3	-								
-	EDH-2	-	25	3	129	-	-	-	130	-	-	-	EDH-3	-								
-	EDH-2	-	25	3	131	-	-	-	132	-	-	-	EDH-3	-								
-	EDH-2	-	25	3	133	-	-	-	134	-	-	-	EDH-3	-								
-	EDH-2	-	25	3	135	-	-	-	136	-	-	-	EDH-3	-								
-	EDH-2	-	25	3	137	-	-	-	138	-	-	-	EDH-3	-								
-	EDH-2	-	25	3	139	-	-	-	140	-	-	-	EDH-3	-								
-	EDH-2	-	25	3	141	-	-	-	142	-	-	-	EDH-3	-								
-	EDH-2	-	25	3	143	-	-	-	144	-	-	-	EDH-3	-								
-	EDH-2	-	25	3	145	-	-	-	146	-	-	-	EDH-3	-								
-	EDH-2	-	25	3	147	-	-	-	148	-	-	-	EDH-3	-								
-	EDH-2	-	25	3	149	-	-	-	150	-	-	-	EDH-3	-								
-	EDH-2	-	25	3	151	-	-	-	152	-	-	-	EDH-3	-								
-	EDH-2	-	25	3	153	-	-	-	154	-	-	-	EDH-3	-								
-	EDH-2	-	25	3	155	-	-	-	156	-	-	-	EDH-3	-								
-	EDH-2	-	25	3	157	-	-	-	158	-	-	-	EDH-3	-								
-	EDH-2	-	25	3	159	-	-	-	160	-	-	-	EDH-3	-								
-	EDH-2	-	25	3	161	-	-	-	162	-	-	-	EDH-3	-								
-	EDH-2	-	25	3	163	-	-	-	164	-	-	-	EDH-3	-								
-	EDH-2	-	25	3	165	-	-	-	166	-	-	-	EDH-3	-								
-	EDH-2	-	25	3	167	-	-	-	168	-	-	-	EDH-3	-								
-	EDH-2	-	25	3	169	-	-	-	170	-	-	-	EDH-3	-								
-	EDH-2	-	25	3	171	-	-	-	172	-	-	-	EDH-3	-								
-	EDH-2	-	25	3	173	-	-	-	174	-	-	-	EDH-3	-								
-	EDH-2	-	25	3	175	-	-	-	176	-	-	-	EDH-3	-								
-	EDH-2	-	25	3	177	-	-	-	178	-	-	-	EDH-3	-								
-	EDH-2	-	25	3	179	-	-	-	180	-	-	-	EDH-3	-								
-	EDH-2	-	25	3	181	-	-	-	182	-	-	-	EDH-3	-								
-	EDH-2	-	25	3	183	-	-	-	184	-	-	-	EDH-3	-								
-	EDH-2	-	25	3	185	-	-	-	186	-	-	-	EDH-3	-								
-	EDH-2	-	25	3	187	-	-	-	188	-	-	-	EDH-3	-								
-	EDH-2	-	25	3	189	-	-	-	190	-	-	-	EDH-3	-								
-	EDH-2	-	25	3	191	-	-	-	192	-	-	-	EDH-3	-								
-	EDH-2	-	25	3	193	-	-	-	194	-	-	-	EDH-3	-								
-	EDH-2	-	25	3	195	-	-	-	196	-	-	-	EDH-3	-								
-	EDH-2	-	25	3	197	-	-	-	198	-	-	-	EDH-3	-								
-	EDH-2	-	25	3	199	-	-	-	200	-	-	-	EDH-3	-								
-	EDH-2	-	25	3	201	-	-	-	202	-	-	-	EDH-3	-								
-	EDH-2	-	25	3	203	-	-	-	204	-	-	-	EDH-3	-								
-	EDH-2	-	25	3	205	-	-	-	206	-	-	-	EDH-3	-								
-	EDH-2	-	25	3	207	-	-	-	208	-	-	-	EDH-3	-								
-	EDH-2	-	25	3	209	-	-	-	210	-	-	-	EDH-3	-								
-	EDH-2	-	25	3	211	-	-	-	212	-	-	-	EDH-3	-								
-	EDH-2	-	25	3	213	-	-	-	214	-	-	-	EDH-3	-								
-	EDH-2	-	25	3	215	-	-	-	216	-	-	-	EDH-3	-								
-	EDH-2	-	25	3	217	-	-	-	218	-	-	-	EDH-3	-								
-	EDH-2	-	25	3	219	-	-	-	220	-	-	-	EDH-3	-								
-	EDH-2	-	25	3	221	-	-	-	222	-	-	-	EDH-3	-								
-	EDH-2	-	25	3	223	-	-	-	224	-	-	-	EDH-3	-								
-	EDH-2	-	25	3	225	-	-	-	226	-	-	-	EDH-3	-								
-	EDH-2	-	25	3	227	-	-	-	228	-	-	-	EDH-3	-								
-	EDH-2	-	25	3	229	-	-	-	230	-	-	-	EDH-3	-								
-	EDH-2	-	25	3	231	-	-	-	232	-	-	-	EDH-3	-								
-	EDH-2	-	25	3	233	-	-	-	234	-	-	-	EDH-3	-								
-	EDH-2	-	25	3	235	-	-	-	236	-	-	-	EDH-3	-								
-	EDH-2	-	25	3	237	-	-	-	238	-	-	-	EDH-3	-								
-	EDH-2	-	25	3	239	-	-	-	240	-	-	-	EDH-3	-								
-	EDH-2	-	25	3	241	-	-	-	242	-	-	-	EDH-3	-								
-	EDH-2	-	25	3	243	-	-	-	244	-	-	-	EDH-3	-								
-	EDH-2	-	25	3	245	-	-	-	246	-	-	-	EDH-3	-								
-	EDH-2	-	25	3	247	-	-	-	248	-	-	-	EDH-3	-								
-	EDH-2	-	25	3	249	-	-	-	250	-												

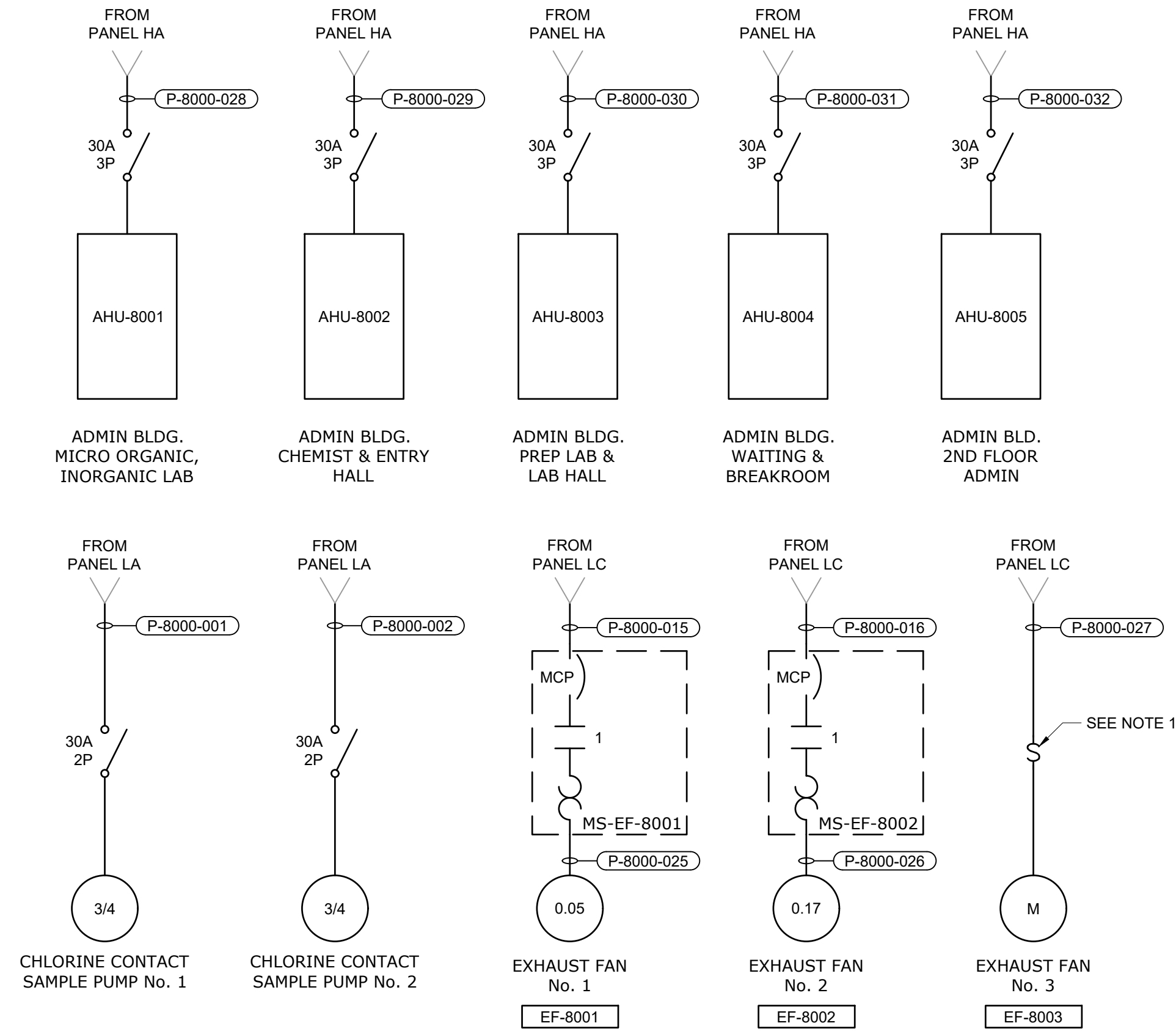
480/277 VOLTS 3 PHASE, 4 WIRE				PANEL HA MAIN LUGS 400A 3P				TYPE: NEMA 1 MOUNT: SURFACE						
MODS	DESCRIPTION	WIRE	TRIP	POLE	CKT No.	VOLT-AMPERES			CKT No.	POLE	TRIP	WIRE	DESCRIPTION	MODS
						A	B	C						
-	OFFICES, CUBILES, SUPPLY-LTG	-	20	1	1	-	-	-	2	1	20	-	LARGE CONF. MEN/WOMEN REST ROOM - LTG	-
-	BREAK ROOM, STORAGE/JAN -LTG	-	20	1	3	-	-	-	4	1	20	-	WAITING AREA, CORRIDORS 3 & 4 - LTG	-
-	WALLPACKS/O.ST-LTG	-	20	1	5	-	-	-	6	1	20	-	ORGAIC, INORGANIC AND MICRO LAB - LTG	-
-	CORRIDOR 1&2, LIBRARY, SERVICE-LTG	-	20	1	7	-	-	-	8	1	20	-	PREPARATION. CHEMIST OFF - LTG	-
-	HTR VESIBULE - EAST	-	20	1	9	-	-	-	10	1	20	-	UNKNOWN	-
-	HTR VESIBULE	-	20	1	11	-	-	-	12	1	20	-	UNKNOWN	-
-	EDH-1	-	25	3	13	-	-	-	14	-	-	-	EDH-3	-
-	EDH-2	-	25	3	15	-	-	-	16	-	-	-	-	-
-		-			17	-	-	-	18	-	-	-	-	-
-		-			19	-	-	-	20	-	-	-	-	-
-		-			21	-	-	-	22	3	30	P-8000-030	AHU-8003	LFD
-		-			23	-	-	-	24	-	-	-	-	-
LFD	AHU-8001	P-8000-028	20	3	25	3,200	-	-	25	-	-	-	-	-
LFD	AHU-8002	P-8000-029	30	3	27	3,200	-	-	26	-	-	-	-	-
-	TRANSFORMER TD	-	25	3	29	-	-	-	28	3	30	P-8000-031	AHU-8004	LFD
-		-			31	3,000	-	-	29	-	-	-	-	-
-		-			33	3,000	-	-	30	-	-	-	-	-
-		-			35	-	-	-	31	50	50	P-8000-032	AHU-8005	LFD
-		-			37	-	-	-	32	-	-	-	-	-
-		-			39	-	-	-	33	-	-	-	-	-
-		-			41	-	-	-	34	-	-	-	-	-
-		-			42	-	-	-	35	-	-	-	-	-
-		-			40	-	-	-	36	-	-	-	-	-
-		-			42	-	-	-	38	3	70	-	TRANSFORMER TC	-
-		-			42	-	-	-	40	-	-	-	-	-
-		-			42	-	-	-	42	-	-	-	-	-

TOTAL	6,200	6,200	6,200
PHASE TOTAL			
	18,600	18,600	18,600

TOTAL	12,400	12,400	12,400
TOTAL LOAD (VA)			
	55,800		
TOTAL LOAD (A)			
	67		

MODIFICATION (MODS) LEGEND:
EPD - GROUND FAULT CIRCUIT INTERRUPTER (30mA)
GFCI - GROUND FAULT CIRCUIT INTERRUPTER (5mA)
LOD - LOCK-ON DEVICE
LFD - LOCK-OFF DEVICE

NOTES:



- NOTES:
- NSSC SERIES MANUAL MOTOR STARTING SWITCH WITHOUT OVERLOAD PROTECTION AS SPECIFIED PER SECTION 26 27 26, UNLESS OTHERWISE NOTED.
 - CONTRACTOR SHALL UPDATE EXISTING PANEL SCHEDULE TO REFLECT CHANGES SHOWN.

120/240 VOLTS 3 PHASE, 3 WIRE				PANEL LA MAIN BREAKER 400A 3P				TYPE: NEMA 1 MOUNT: SURFACE						
MODS	DESCRIPTION	WIRE	TRIP	POLE	CKT No.	VOLT-AMPERES			CKT No.	POLE	TRIP	WIRE	DESCRIPTION	MODS
						A	B	C						
-	RECEPTACLE	-	20	1	1	-	-	-	2	1	20	-	VACUUM PUMP RECEPTACLE	-
-	RECEPTACLE	-	20	1	3	-	-	-	4	1	20	-	VACUUM PUMP RECEPTACLE	-
-	FUME HOOD LIGHTS RECEPTACLE	-	20	1	5	-	-	-	6	1	20	-	VACUUM PUMP RECEPTACLE	-
-	FUME HOOD LIGHTS RECEPTACLE	-	20	1	7	-	-	-	8	1	60	-	SURGE ARRESTOR	-
-	FUME HOOD LIGHTS RECEPTACLE	-	20	1	9	-	-	-	10	-	-	-	-	-
-	ANALYTICAL ANALYSIS	-	40	2	11	-	-	-	12	2	100	-	PANEL PP	-
-	SAPCE	-	1	15	13	-	-	-	14	-	-	-	-	-
-	SAPCE	-	1	17	15	-	-	-	16	1	-	-	SAPCE	-
-	SAPCE	-	1	17	17	-	-	-	18	1	-	-	SAPCE	-
LFD	CHLORINE CONTACT SAMPLE PUMP No. 1	P-8000-001	20	2	19	700	-	-	20	1	-	-	RECP FLOUR/MTR IN PREP ROOM	-
-	RECPE/SIDE SK. PREP ROOM	-	20	1	21	-	-	-	22	-	-	-	-	-
-	RPZ HEATER	-	20	1	23	-	-	-	24	2	20	P-800-002	CHLORINE CONTACT SAMPLE PUMP No. 2	LFD
-	NORTH COUNTER	-	20	2	25	-	-	-	26	1	20	-	UNKOWN	-
-	SAPRE	-	20	2	27	-	-	-	28	2	20	-	RECP EAST COUNTER IN PREP ROOM	-
-	REC P N/CTR. HT/PLT	-	20	2	29	-	-	-	30	-	-	-	-	-
-	SPACE	-	1	31	31	-	-	-	32	1	20	-	RECP HOT/PLATE IN PREP ROOM	-
-	SPACE	-	1	35	33	-	-	-	34	1	20	-	LAB AIR COMP	-
-	SPACE	-	1	37	35	-	-	-	36	1	20	-	RECP E/COUNTER IN PREP ROOM	-
-	SPACE	-	1	39	37	-	-	-	38	1	20	-	LAB AIR COMP	-
-	SPACE	-	1	41	39	-	-	-	40	1	-	-	SPACE	-
-	REC P ANALYTICAL BAL. SPECT/MTR	-	20	2	43	-	-	-	42	1	-	-	SPACE	-
-	240V RECP A.A.	-	20	2	45	-	-	-	44	2	20	-	U.V. CABINET RECEPTACLE	-
-	OUT/ELECTRIC RANGE RECP	-	50	2	47	-	-	-	46	-	-	-	AUTOCLAVE RECEPTACLE	-
-		-			49	-	-	-	48	2	60	-	-	-
-		-			51	-	-	-	50	-	-	-	SPACE	-
-		-			53	-	-	-	52	1	-	-	SPACE	-
-		-			53	-	-	-	54	1	-	-	SPACE	-

TOTAL	700	700	0
PHASE TOTAL			
	700	1,400	700

TOTAL	0	700	700
TOTAL LOAD (VA)			
	2,800		
TOTAL LOAD (A)			
	12		

MODIFICATION (MODS) LEGEND:
EPD - GROUND FAULT CIRCUIT INTERRUPTER (30mA)
GFCI - GROUND FAULT CIRCUIT INTERRUPTER (5mA)
LOD - LOCK-ON DEVICE
LFD - LOCK-OFF DEVICE

NOTES:

120/208 VOLTS 3 PHASE, 4 WIRE				PANEL LC MAIN LUGS 225A 3P				TYPE: NEMA 1 MOUNT: SURFACE						
MODS	DESCRIPTION	WIRE	TRIP	POLE	CKT No.	VOLT-AMPERES			CKT No.	POLE	TRIP	WIRE	DESCRIPTION	MODS
						A	B	C						
-	OFFICE, CUBICLES - RECP	-	20	1	1	-	-	-	2	1	20	-	OFFICE, CUBICLES - RECP	-
-	SUPPLY/MOTHER, OFFICE - RECP	-	20	1	3	-	-	-	4	1	20	-	OFFICE, WAITING AREA - RECP	-
-	WAITING AREA, OFFICE - RECP	-	20	1	5	-	-	-	6	1	20	-	WAITING AREA - RECP	-
-	CORRIDOR 1 & BREAK ROOM - RECP	-	20	1	7	-	-	-	8	1	20	-	LARGE CONFERENCE - RECP	-
-	WATER FOUNTAIN	-	20	1	9	-	-	-	10	1	20	-	MEN/WOMEN REST RM. CORR.4, LARGE CONF	-
-	BREAK ROOM - RECP	-	20	1	11	-	-	-	12	1	20	-	LARGE CONFERENCE RM - CAN LTG	-
LFD	MS-EF-8002	P-8000-016	20	1	13	250	-	-	14	1	20	-	LARGE CONFERENCE RM - CAN LTG	-
-	SPARE	-	20	1	15	-	-	-	16	1	20	-	ELEVATION LTG/FAN	-
-	SPARE	-	20	1	17	-	-	-	18	1	20	-	ELEVATION LTG/FAN	-
-	SPARE	-	20	1	19	-	-	-	20	1	20	-	COMFORT MANAGER TRANSFORMER	-
LFD	MS-EF-8001	P-8000-015	20	1	21	200	-	-	22	1	30	-	EF-4 ON ROOF	-
LFD	EF-8003	P-8000-027	20	1	23	-	-	200	24	1	30	-	EF-5 ON ROOF	-
-	EF-7 ON ROOF	-	20	1	25	-	-	-	26	1	30	-	EF-6 ON ROOF	-
-	RECP ON ROOF	-	20	1	27	-	-	-	28	1	20	-	H.W. CIRC. PUMP COMB. STARTER	-
-	DISPOSAL - SUPPLY ROOM	-	20	1	29	-	-	-	30	1	20	-	ELEC PROJ SCREEN IN CONF.RM	-
-	CFI RECP - SUPPLY ROOM	-	20	1	31	-	-	-	32	1	20	-	ELEC PROJ SCREEN IN CONF.RM	-
-	CONTROL/SAMPLE PUMP	-	20	1	33	-	-	-	34	1	20	-	SETTLED-PILOT PLANT	-
-	WAITING AREA - RECP	-	20	1	35	-	-	-	36	1	20	-	RAW WATER PUMP 1	-
-	SPARE	-	20	1	37	-	-	-	38	1	20	-	RAW WATER PUMP 2	-
-	SPARE	-	20	1	39	-	-	-	40	1	20	-	PILOT PLANT PUMP 1	-
-	SPARE	-	20	1	41	-	-	-	42	1	20	-	PILOT PLANT PUMP 2	-

TOTAL	250	200	200
PHASE TOTAL			
	250	200	200

TOTAL	0	0	0
TOTAL LOAD (VA)			
	650		
TOTAL LOAD (A)			
	3		

MODIFICATION (MODS) LEGEND:
EPD - GROUND FAULT CIRCUIT INTERRUPTER (30mA)
GFCI - GROUND FAULT CIRCUIT INTERRUPTER (5mA)
LOD - LOCK-ON DEVICE
LFD - LOCK-OFF DEVICE

NOTES:

GMP SUBMITTAL. DO NOT USE FOR CONSTRUCTION.

File: C:\USERS\NINELSON\Documents\HAZEN AND SAWYER\60711-001_WILSON_WTP_REHAB_FILTER_BASINPROJECT FILES\00_ELECTRICAL\010 Saved by: GDEMBE Save date: 11/18/2024 1:31 PM
 PLOT DATE: 11/19/2024 1:51 PM BY: NINELSON

PROJECT MANAGER:	T. HUDSON
DESIGNED BY:	N. NELSON
DRAWN BY:	N. NELSON
PROJECT ENGINEER:	B. BUELTEL
IF THIS BAR DOES NOT MEASURE 1" THEN DRAWING IS NOT TO FULL SCALE	0 1/2" 1"



CENTRAL ARKANSAS WATER
 LITTLE ROCK, ARKANSAS
 JACK H. WILSON WTP RENEWAL AND
 RESILIENCY PROJECT

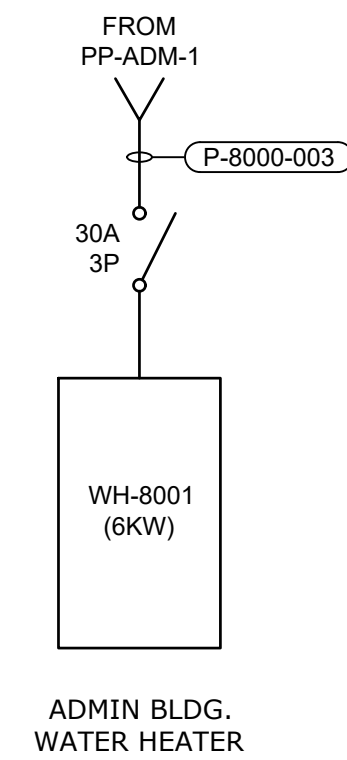
ADMINISTRATION BUILDING
 ELECTRICAL
 PROPOSED PANEL SCHEDULES

DATE:	NOVEMBER 2024
HAZEN NO.:	60711-003
CONTRACT NO.:	1
DRAWING NUMBER:	E8010

480 VOLTS 3 PHASE, 3 WIRE				PP-ADM-1 MAIN BREAKER 100A 3P				TYPE: NEMA 1 MOUNT: SURFACE										
MODS	DESCRIPTION	WIRE	TRIP	POLE	CKT No.	VOLT-AMPERES			VOLT-AMPERES			CKT No.	POLE	TRIP	WIRE	DESCRIPTION	MODS	
						A	B	C	A	B	C							
LFD	VAV-8001	P-8000-004	20	3	1	1,500			900			2						
					3		1,500			900		4	3	20	P-8000-005	VAV-8002	LFD	
					5			1,500			900	6						
LFD	VAV-8003	P-8000-006	20	3	7	900			900			8						
					9		900			900		10	3	20	P-8000-007	VAV-8004	LFD	
					11			900		900		12						
LFD	VAV-8005	P-8000-008	20	3	13	1,500			1,200			14						
					15		1,500			1,200		16	3	20	P-8000-009	VAV-8006	LFD	
					17			1,500		1,200		18						
LFD	SPARE	-	20	3	19	1,800			1,800			20						
					21		1,800			1,800		22	3	20	P-8000-003	WH-8001	LFD	
					23			1,800		1,800		24						
LFD	SPARE	-	20	3	25	-			-			26						
					27				-			28	3	20	-	SPARE	LFD	
					29				-			30						
LFD	SPARE	-	20	3	31	-			-			32						
					33				-			34	3	20	-	SPARE	LFD	
					35				-			36						
LFD	SPARE	-	20	3	37	-			-			38						
					39				-			40	3	20	-	SPARE	LFD	
					41				-			42						
TOTAL						5,700	5,700	5,700	4,800	4,800	4,800	TOTAL						
PHASE TOTAL						10,500	10,500	10,500	TOTAL LOAD (VA)									
TOTAL LOAD (A)						31,500												
TOTAL LOAD (A)						38												

MODIFICATION (MODS) LEGEND:
 EPD - GROUND FAULT CIRCUIT INTERRUPTER (30mA)
 GFCI - GROUND FAULT CIRCUIT INTERRUPTER (5mA)
 LOD - LOCK-ON DEVICE
 LFD - LOCK-OFF DEVICE
 ETU - ELECTRONIC TRIP UNIT

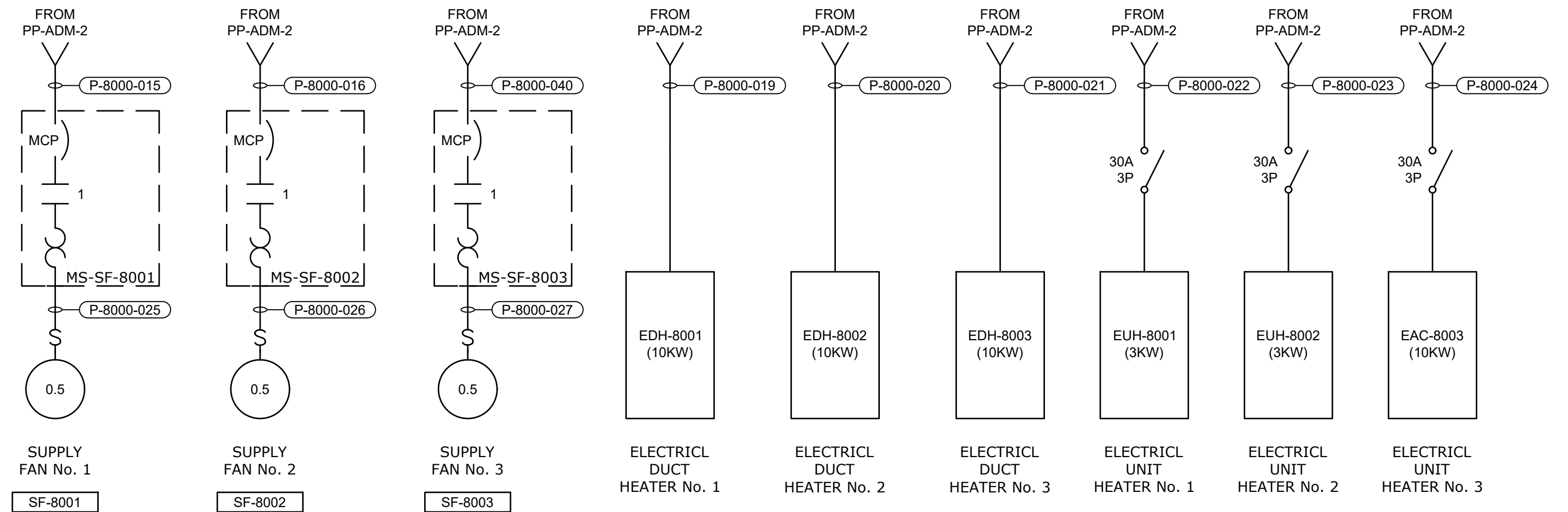
NOTES:
 42kAIC
 100kA SPD



480 VOLTS 3 PHASE, 3 WIRE				PP-ADM-2 MAIN BREAKER 225A 3P ETU				TYPE: NEMA 1 MOUNT: SURFACE										
MODS	DESCRIPTION	WIRE	TRIP	POLE	CKT No.	VOLT-AMPERES			VOLT-AMPERES			CKT No.	POLE	TRIP	WIRE	DESCRIPTION	MODS	
						A	B	C	A	B	C							
LFD	EDH-8001	P-8000-019	20	3	1	3,300			3,300			2						
					3		3,300			3,300		4	3	20	P-8000-020	EDH-8002	LFD	
					5			3,300		3,300		6						
LFD	EDH-8003	P-8000-021	20	3	7	3,300			1,000			8						
					9		3,300			1,000		10	3	20	P-8000-022	EUH-8001	LFD	
					11			3,300		1,000		12						
LFD	EUH-8002	P-8000-023	20	3	13	1,000			3,300			14						
					15		1,000			3,300		16	3	20	P-8000-024	EAC-8001	LFD	
					17			1,000		3,300		18						
LFD	MS-SF-8001	P-8000-015	20	3	19	250			250			20						
					21		250			250		22	3	20	P-8000-040	MS-SF-8003	LFD	
					23			250		250		24						
LFD	MS-SF-8002	P-8000-016	20	3	25	250			-			26						
					27		250			-		28	3	20	-	SPARE	LFD	
					29			250		-		30						
LFD	SPARE	-	20	3	31	-			-			32						
					33				-			34	3	20	-	SPARE	LFD	
					35				-			36						
LFD	SPARE	-	20	3	37	-			-			38						
					39				-			40	3	20	-	SPARE	LFD	
					41				-			42						
TOTAL						8,100	8,100	8,100	7,850	7,850	7,850	TOTAL						
PHASE TOTAL						15,950	15,950	15,950	TOTAL LOAD (VA)									
TOTAL LOAD (A)						47,850												
TOTAL LOAD (A)						58												

MODIFICATION (MODS) LEGEND:
 EPD - GROUND FAULT CIRCUIT INTERRUPTER (30mA)
 GFCI - GROUND FAULT CIRCUIT INTERRUPTER (5mA)
 LOD - LOCK-ON DEVICE
 LFD - LOCK-OFF DEVICE
 ETU - ELECTRONIC TRIP UNIT

NOTES:
 42kAIC
 100kA SPD



File: C:\USERS\NINELSON\DRAWING\HAZEN AND SAWYER\60711-001_WILSON_WTP_REHAB_FILTER_BASINPROJECT FILES\900_ELECTRICAL\E8011 Saved by: GDENEBKE Save date: 11/19/2024 3:30 PM
 PLOT DATE: 11/19/2024 1:51 PM BY: NINELSON

PROJECT MANAGER:	T. HUDSON		
DESIGNED BY:	N. NELSON		
DRAWN BY:	N. NELSON		
PROJECT ENGINEER:	B. BUELTEL		
IF THIS BAR DOES NOT MEASURE 1" THEN DRAWING IS NOT TO FULL SCALE	0 1/2" 1"		
REV	ISSUED FOR	DATE	BY



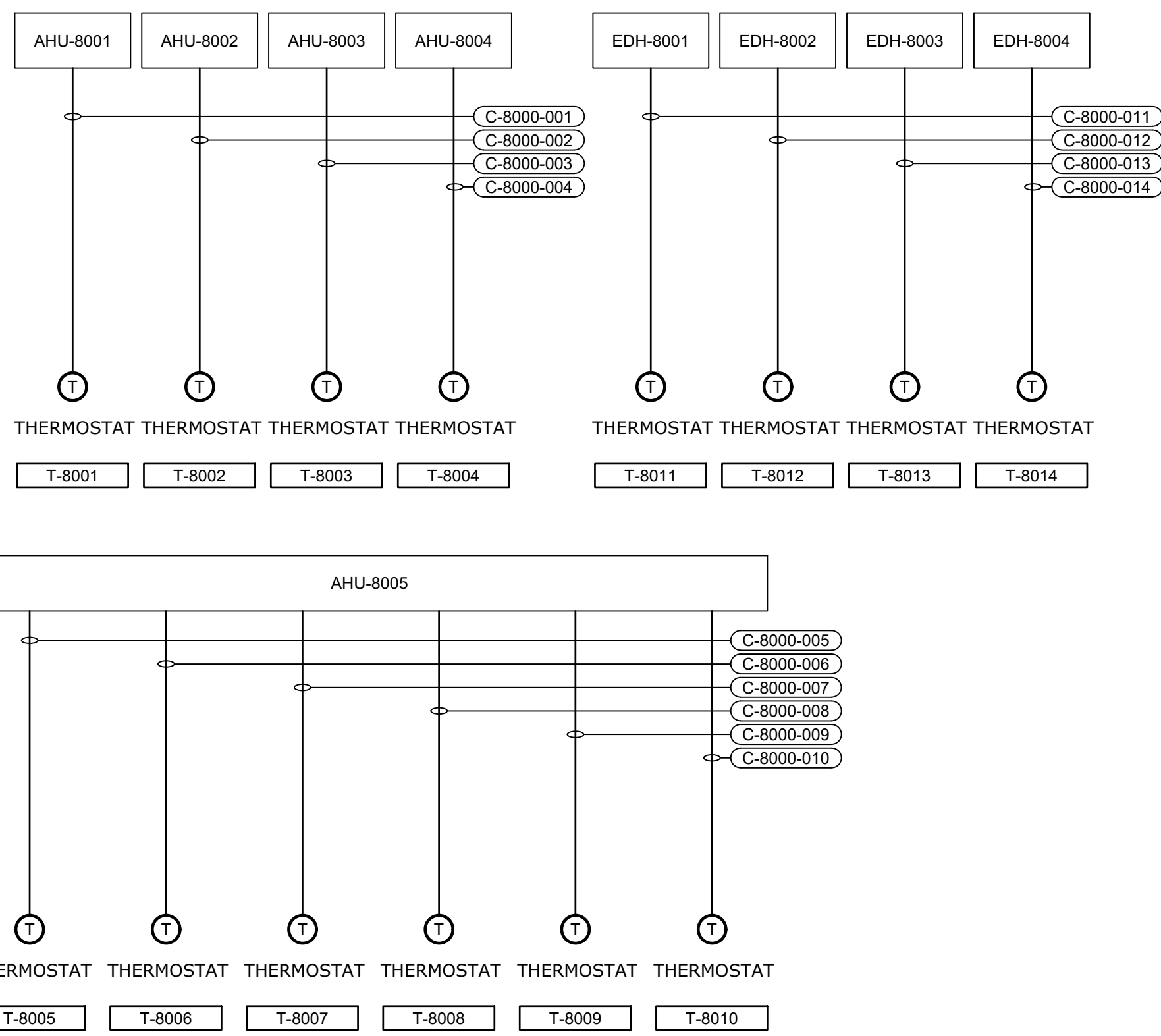
CENTRAL ARKANSAS WATER
 LITTLE ROCK, ARKANSAS

JACK H. WILSON WTP RENEWAL AND
 RESILIENCY PROJECT

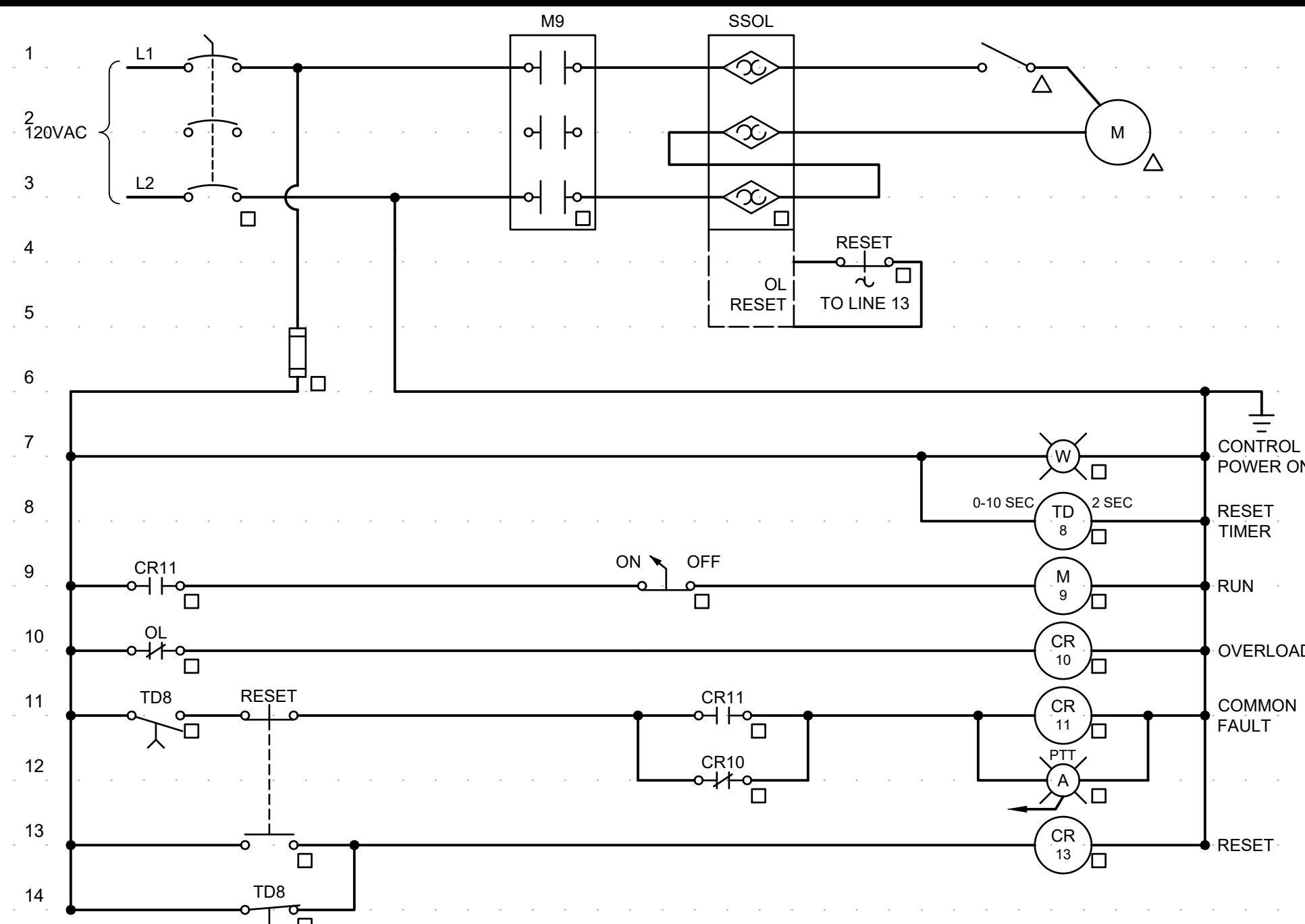
ADMINISTRATION BUILDING
 ELECTRICAL
 PANEL SCHEDULES

DATE:	NOVEMBER 2024
HAZEN NO.:	60711-003
CONTRACT NO.:	1
DRAWING NUMBER:	E8011

GMP SUBMITTAL. DO NOT USE FOR CONSTRUCTION.



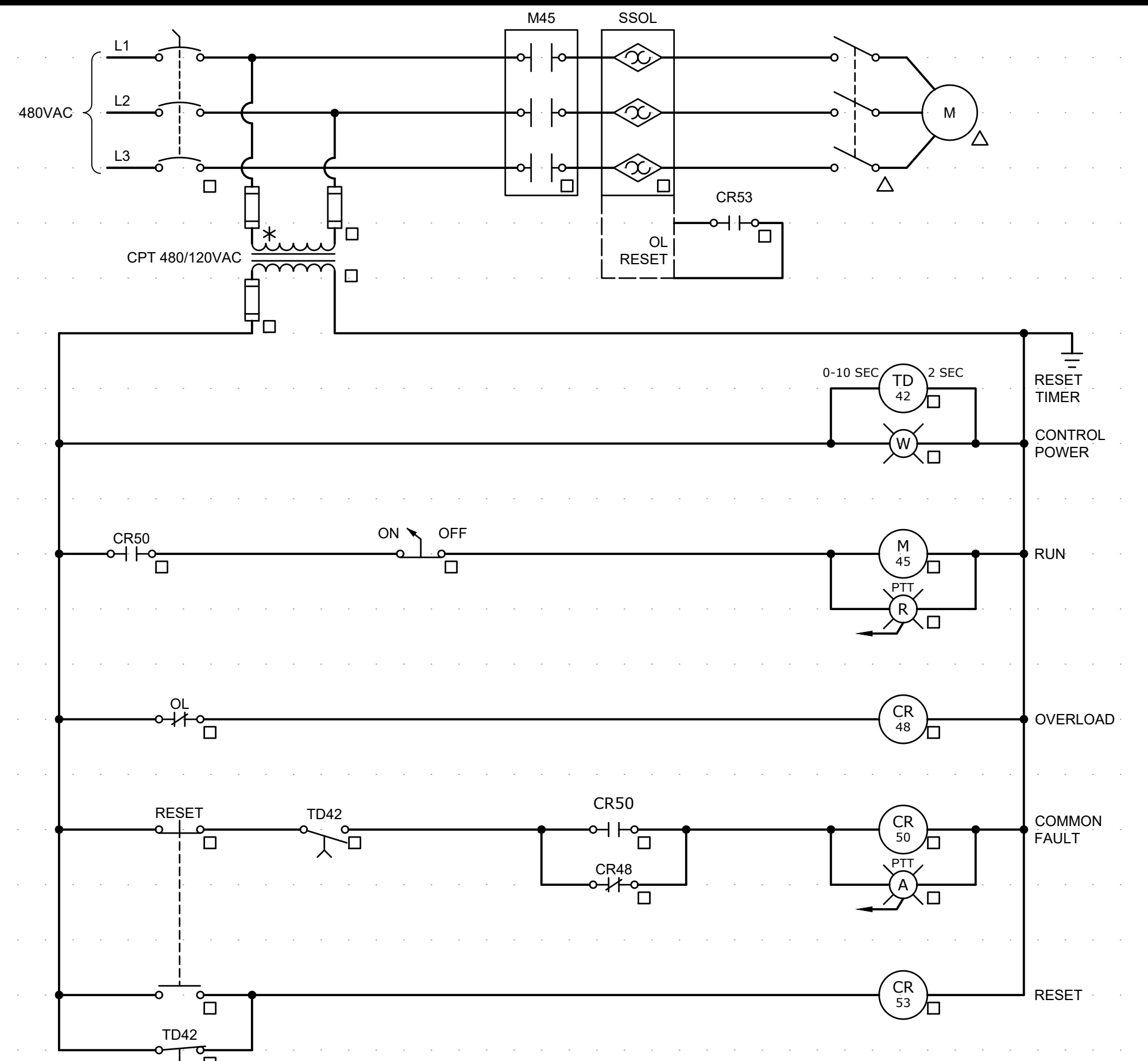
ADMIN BUILDING
CONTROL BLOCK DIAGRAM



TYPICAL EXHAUST FANS

ELEMENTARY CONTROL SCHEMATIC

ADMIN BLDG - BATH, ELEVATOR, STORAGE	EF-8001
ADMIN BLDG - MEN'S & WOMEN'S BATH	EF-8002



TYPICAL SUPPLY FANS

ELEMENTARY CONTROL SCHEMATIC

ADMIN BLDG - PREP LAB	SF-8001
ADMIN BLDG - ORGANIC LAB	SF-8002
ADMIN BLDG - INORGANIC LAB	SF-8003

GMP SUBMITTAL. DO NOT USE FOR CONSTRUCTION.

File: C:\USERS\NINELSON\Documents\HAZEN AND SAWYER\60711-001_WILSON_WTP_REHAB_FILTER_BASINPROJECT FILES\900_ELECTRICAL\E012_Saved by SCHAVEZ Save date: 11/18/2024 1:03 AM
PLOT DATE: 11/19/2024 1:52 PM BY: NINELSON

REV	ISSUED FOR	DATE	BY

PROJECT MANAGER:	T. HUDSON
DESIGNED BY:	N. NELSON
DRAWN BY:	N. NELSON
PROJECT ENGINEER:	B. BUELTEL
IF THIS BAR DOES NOT MEASURE 1" THEN DRAWING IS NOT TO FULL SCALE	



CENTRAL ARKANSAS WATER
LITTLE ROCK, ARKANSAS

JACK H. WILSON WTP RENEWAL AND RESILIENCY PROJECT

ADMINISTRATION BUILDING
ELECTRICAL
CONTROL BLOCK DIAGRAMS AND
ELEMENTARY CONTROL SCHEMATICS

DATE:	NOVEMBER 2024
HAZEN NO.:	60711-003
CONTRACT NO.:	1
DRAWING NUMBER:	E8012

CONDUIT NO.	SIZE	FROM	TO	CONDUCTORS	REMARKS
P-8000-001	1"	PANEL LA	CHLORINE CONTACT SAMPLE PUMP No.1	2#12, #12GND	VIA DSW
P-8000-002	1"	PANEL LA	CHLORINE CONTACT SAMPLE PUMP No.2	2#12, #12GND	VIA DSW
P-8000-003	3/4"	PANEL PP	WH-8001	3#12, #12GND	
P-8000-004	3/4"	PP-ADM-1	VAV-8001	3#12, #12GND	
P-8000-005	3/4"	PP-ADM-1	VAV-8002	3#12, #12GND	
P-8000-006	3/4"	PP-ADM-1	VAV-8003	3#12, #12GND	
P-8000-007	3/4"	PP-ADM-1	VAV-8004	3#12, #12GND	
P-8000-008	3/4"	PP-ADM-1	VAV-8005	3#12, #12GND	
P-8000-009	3/4"	PP-ADM-1	VAV-8006	3#12, #12GND	
P-8000-010	3"	PCR SWITCHGEAR	TX-ADM	3#1/0, #3GND	
P-8000-011	3-1/2"	TX-ADM	MTS-ADM	4#350 Kcmil, #1/0GND	
P-8000-012	3-1/2"	TX-ADM	MTS-ADM	4#350 Kcmil, #1/0GND	
P-8000-013	3-1/2"	PORTABLE GENERATOR CONNECTION	MTS-ADM	4#350 Kcmil, #1/0GND	
P-8000-014	3-1/2"	PORTABLE GENERATOR CONNECTION	MTS-ADM	4#350 Kcmil, #1/0GND	
P-8000-015	3/4"	PP-ADM-2	MS-SF-8001	3#12, #12GND	
P-8000-016	3/4"	PP-ADM-2	MS-SF-8002	3#12, #12GND	
P-8000-017	2"	PANEL MDP	PP-ADM-1	3#1, #6GND	
P-8000-018	3"	PANEL MDP	PP-ADM-2	3#250Kcmil, #4GND	
P-8000-019	3/4"	PP-ADM-2	EDH-8001	3#12, #12GND	VIA DSW
P-8000-020	3/4"	PP-ADM-2	EDH-8002	3#12, #12GND	VIA DSW
P-8000-021	3/4"	PP-ADM-2	EDH-8003	3#12, #12GND	VIA DSW
P-8000-022	3/4"	PP-ADM-2	EUH-8001	3#12, #12GND	VIA DSW
P-8000-023	3/4"	PP-ADM-2	EUH-8002	3#12, #12GND	VIA DSW
P-8000-024	3/4"	PP-ADM-2	EAC-8001	3#12, #12GND	VIA DSW
P-8000-025	3/4"	MS-SF-8001	SF-8001	3#12, #12GND	
P-8000-026	3/4"	MS-SF-8002	SF-8002	3#12, #12GND	
P-8000-027	3/4"	MS-SF-8003	SF-8003	3#12, #12GND	
P-8000-028	3/4"	PANEL"HA"	AHU-8001	3#10, #10GND	VIA DSW
P-8000-029	3/4"	PANEL"HA"	AHU-8002	3#10, #10GND	VIA DSW
P-8000-030	3/4"	PANEL"HA"	AHU-8003	3#10, #10GND	VIA DSW
P-8000-031	3/4"	PANEL"HA"	AHU-8004	3#10, #10GND	VIA DSW
P-8000-032	3/4"	PANEL"HA"	AHU-8005	3#8, #10GND	VIA DSW
P-8000-033	3/4"	PANEL "LC"	MS-EF-8001	2#12, #12GND	
P-8000-034	3/4"	PANEL "LC"	MS-EF-8002	2#12, #12GND	
P-8000-035	3/4"	PANEL "LC"	EF-8003	2#12, #12GND	
P-8000-036	3-1/2"	MTS-ADM	PANEL MDP	4#350 Kcmil, #1/0GND	
P-8000-037	3-1/2"	MTS-ADM	PANEL MDP	4#350 Kcmil, #1/0GND	
P-8000-038	3/4"	MS-EF-8001	EF-8001	2#12, #12GND	
P-8000-039	3/4"	MS-EF-8002	EF-8002	2#12, #12GND	
P-8000-040	3/4"	PP-ADM-2	MS-SF-8003	3#12, #12GND	

CONDUIT NO.	SIZE	FROM	TO	CONDUCTORS	REMARKS
C-8000-001	3/4"	AHU-8001	T-8001	6#14, #14GND	
C-8000-002	3/4"	AHU-8002	T-8002	6#14, #14GND	
C-8000-003	3/4"	AHU-8003	T-8003	6#14, #14GND	
C-8000-004	3/4"	AHU-8004	T-8004	6#14, #14GND	
C-8000-005	3/4"	AHU-8005	T-8005	6#14, #14GND	
C-8000-006	3/4"	AHU-8005	T-8006	6#14, #14GND	
C-8000-007	3/4"	AHU-8005	T-8007	6#14, #14GND	
C-8000-008	3/4"	AHU-8005	T-8008	6#14, #14GND	
C-8000-009	3/4"	AHU-8005	T-8009	6#14, #14GND	
C-8000-010	3/4"	AHU-8005	T-8010	6#14, #14GND	
C-8000-011	3/4"	EDH-8001	T-8011	4#14, #14GND	
C-8000-012	3/4"	EDH-8002	T-8012	4#14, #14GND	
C-8000-013	3/4"	EDH-8003	T-8013	4#14, #14GND	
C-8000-014	3/4"	EDH-8004	T-8014	4#14, #14GND	
C-8000-015	-	-	-	NOT USED	

File: C:\USERS\NINELSON\Documents\HAZEN AND SAWYER\60711-001_WILSON_WTP_REHAB_FILTER_BASINPROJECT FILES\900_ELECTRICAL\ER013 Saved by: GDENBERKE Save date: 11/18/2024 1:25 PM PLOT DATE: 11/19/2024 1:52 PM BY: NINELSON

GMP SUBMITTAL. DO NOT USE FOR CONSTRUCTION.

PROJECT MANAGER:	T. HUDSON
DESIGNED BY:	N. NELSON
DRAWN BY:	N. NELSON
PROJECT ENGINEER:	B. BUELTEL
IF THIS BAR DOES NOT MEASURE 1" THEN DRAWING IS NOT TO FULL SCALE	

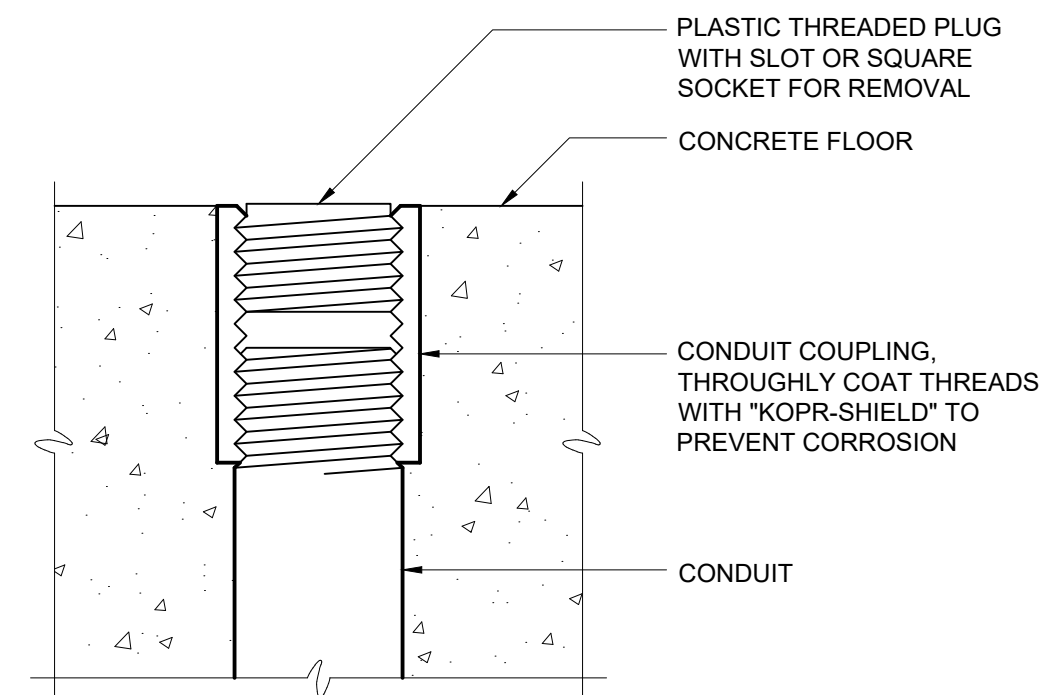


CENTRAL ARKANSAS WATER
LITTLE ROCK, ARKANSAS

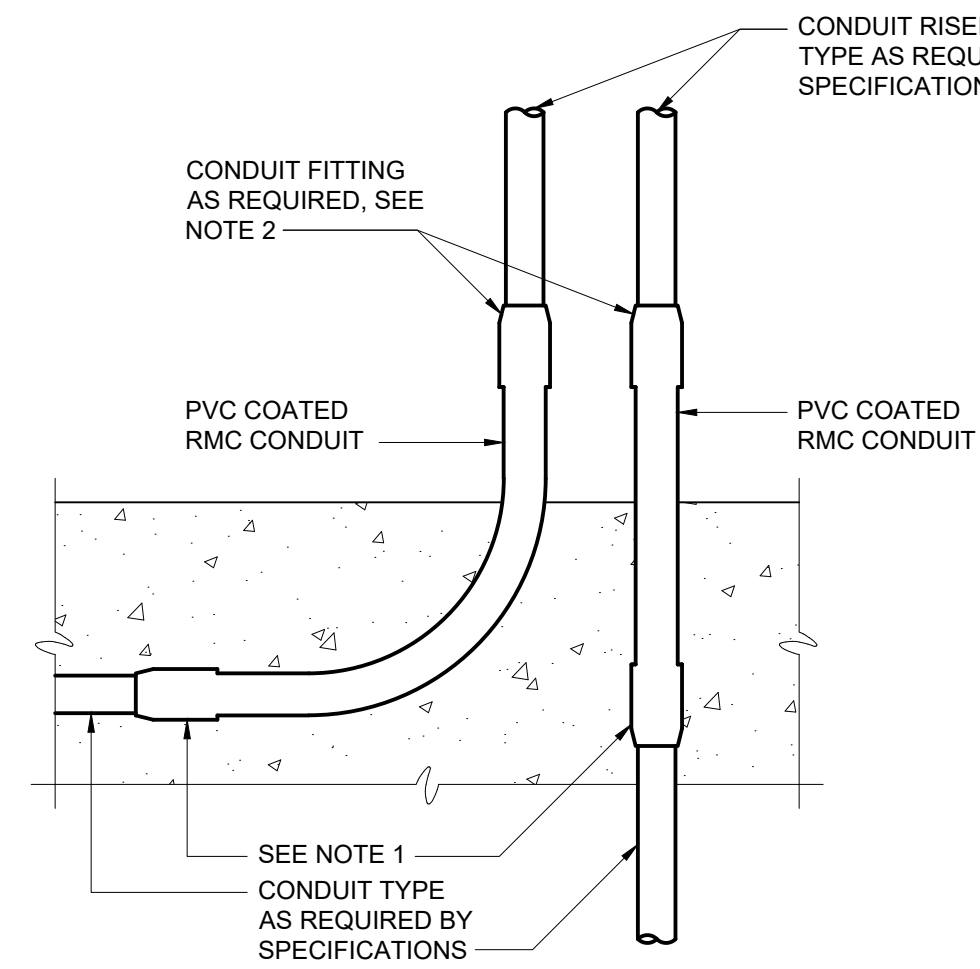
JACK H. WILSON WTP RENEWAL AND
RESILIENCY PROJECT

ADMINISTRATION BUILDING
ELECTRICAL
CONDUIT AND WIRE SCHEDULE

DATE:	NOVEMBER 2024
HAZEN NO.:	60711-003
CONTRACT NO.:	1
DRAWING NUMBER:	E8013



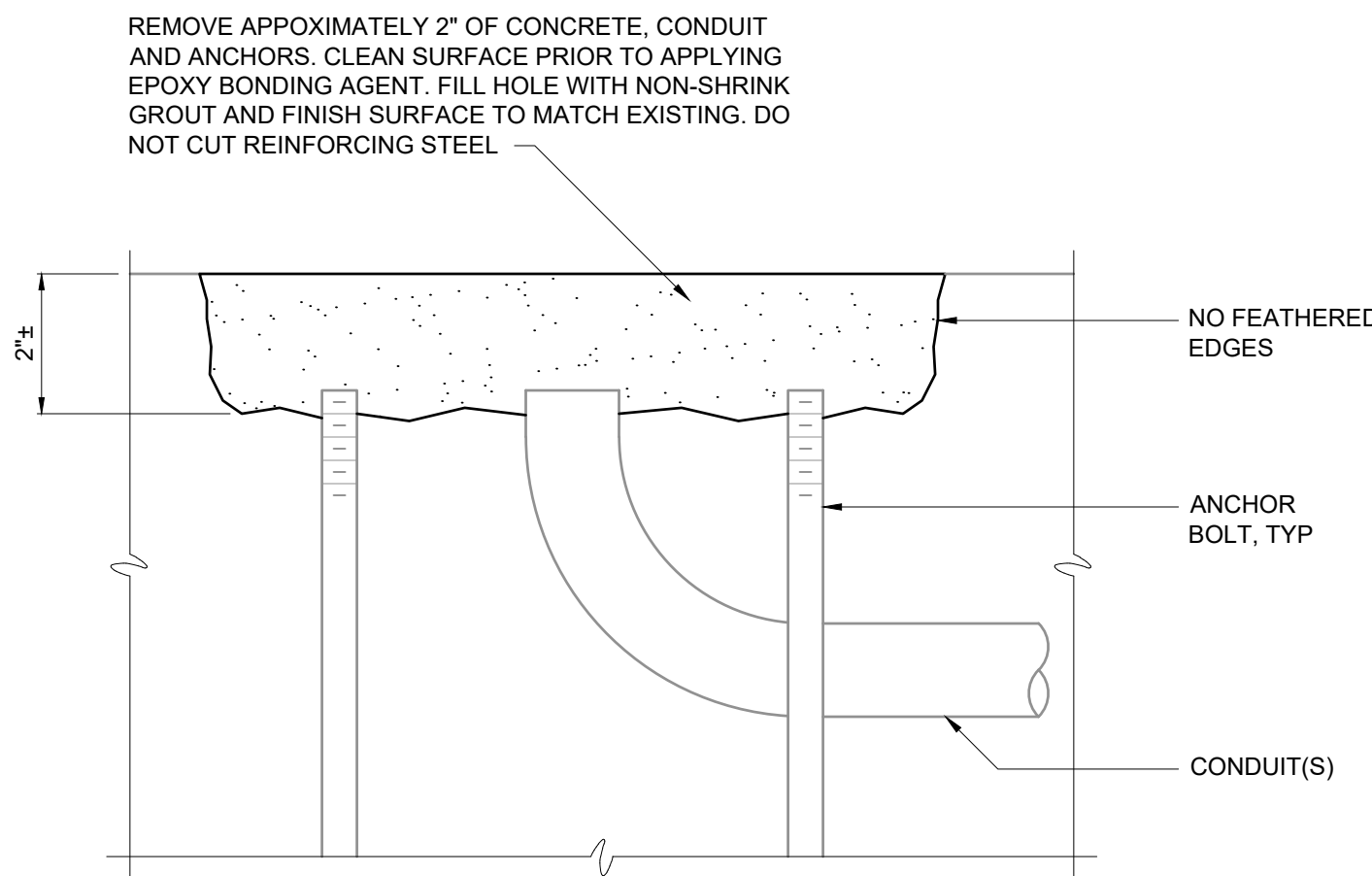
FLOOR STUB-UP FOR FUTURE CONDUIT
E-26-0101



NOTES:

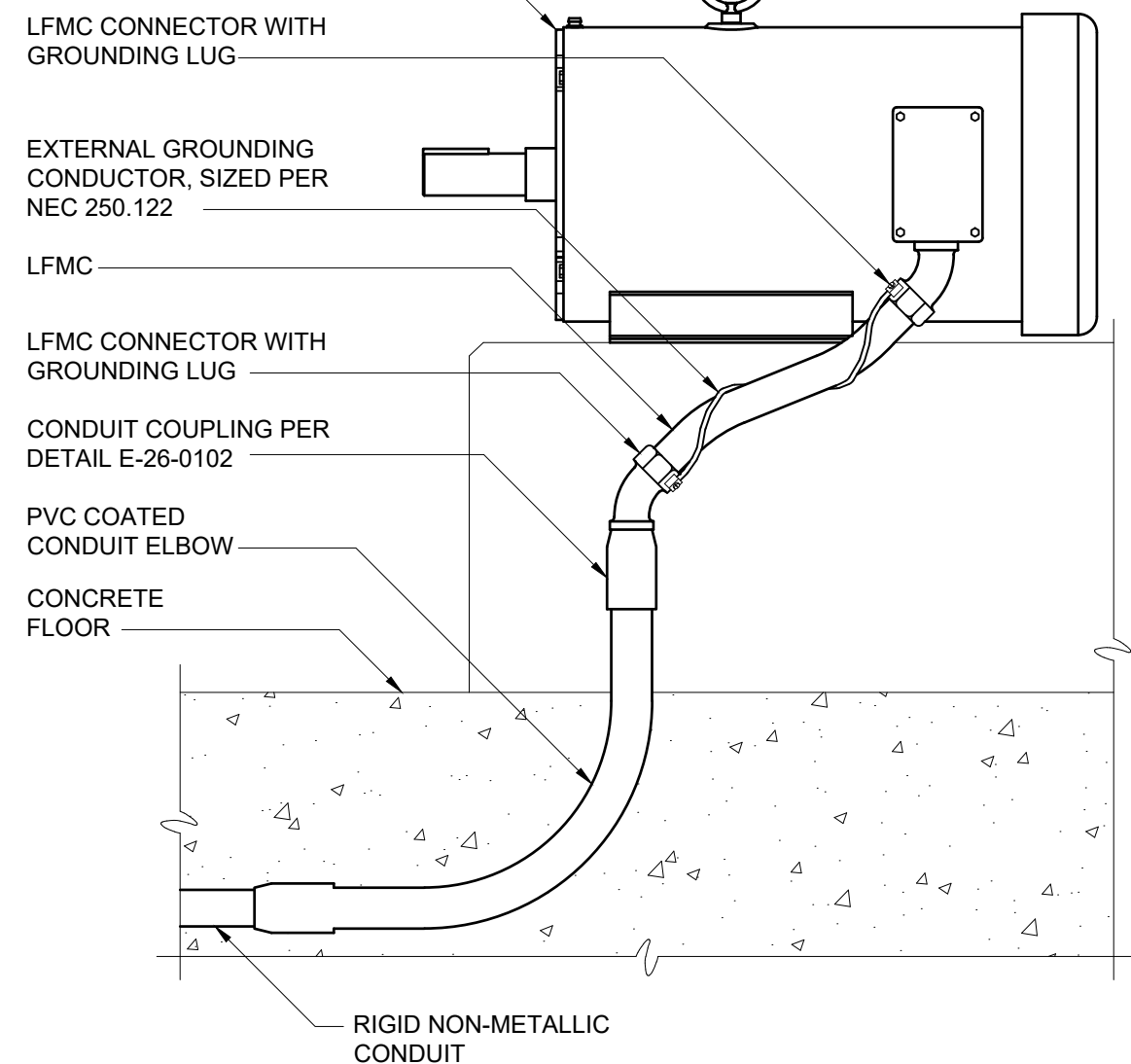
- FOR ENCASED PVC CONDUIT USE PVC TERMINAL ADAPTER. FOR ALL OTHER CONDUIT TYPES, USE PVC COATED RMC COUPLINGS.
- IF ANY THREADS OF THE PVC COATED RMC CONDUIT ARE EXPOSED AFTER INSTALLATION OF THE CONDUIT FITTING, THE CONDUIT FITTING SHALL BE PVC COATED TYPE WITH APPROPRIATE PVC SKIRTS. IF THE THREADS OF THE PVC COATED RMC CONDUIT ARE PROPERLY CUT SO THAT THEY ARE NOT EXPOSED AFTER INSTALLATION OF THE CONDUIT FITTING, THE CONDUIT MATERIAL SHALL BE AS REQUIRED BY THE SPECIFICATIONS, BASED ON THE MATERIAL OF THE CONDUIT RISER.

CONDUIT EXITING CONCRETE ENCASEMENT
E-26-0102



SEALING ABANDONED CONDUIT AND ANCHOR BOLTS
E-26-0103

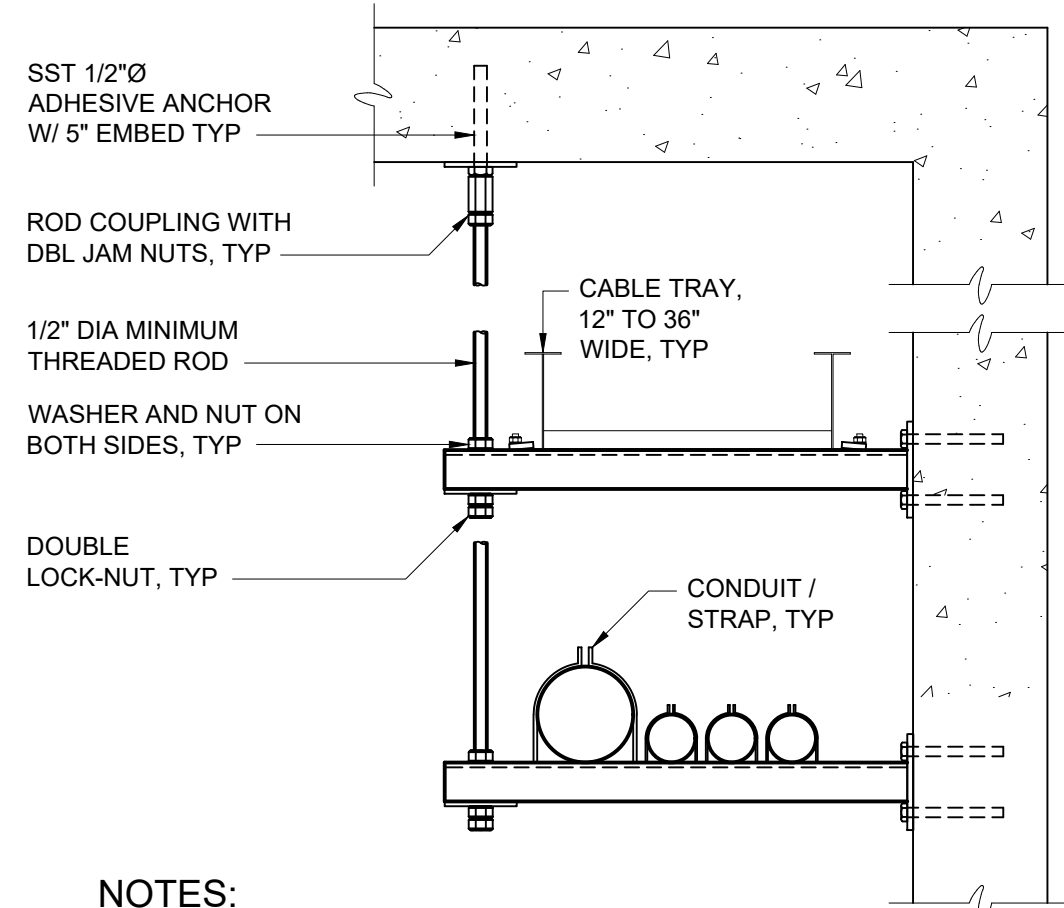
"VIBRATING EQUIPMENT" REQUIRING FLEXIBLE RACEWAYS SUCH AS MOTORS, TRANSFORMERS, ACTUATORS, GENERATORS, ETC



NOTES:

- WHERE NON-METALLIC CONDUIT TRANSITIONS TO RIGID METALLIC CONDUIT AND / OR LIQUIDTIGHT FLEXIBLE METALLIC CONDUIT, (LFMC), TO FEED VIBRATING TYPE LOADS, THE CONTRACTOR SHALL FURNISH AND INSTALL AN EXTERNAL BARE COPPER GROUNDING CONDUCTOR AND APPROVED GROUNDING LFMC CONNECTORS TO ENSURE GROUND CONTINUITY TO THE RIGID METALLIC CONDUIT AS SHOWN. THE GROUNDING CONDUCTOR SHALL BE SIZED ACCORDING TO NEC 250.122 AND BE NEATLY WRAPPED AROUND LFMC AS SHOWN. LFMC INSTALLED IN THIS MANNER CANNOT BE USED FOR A CONTINUOUS GROUND PATH PER NEC 350.60.

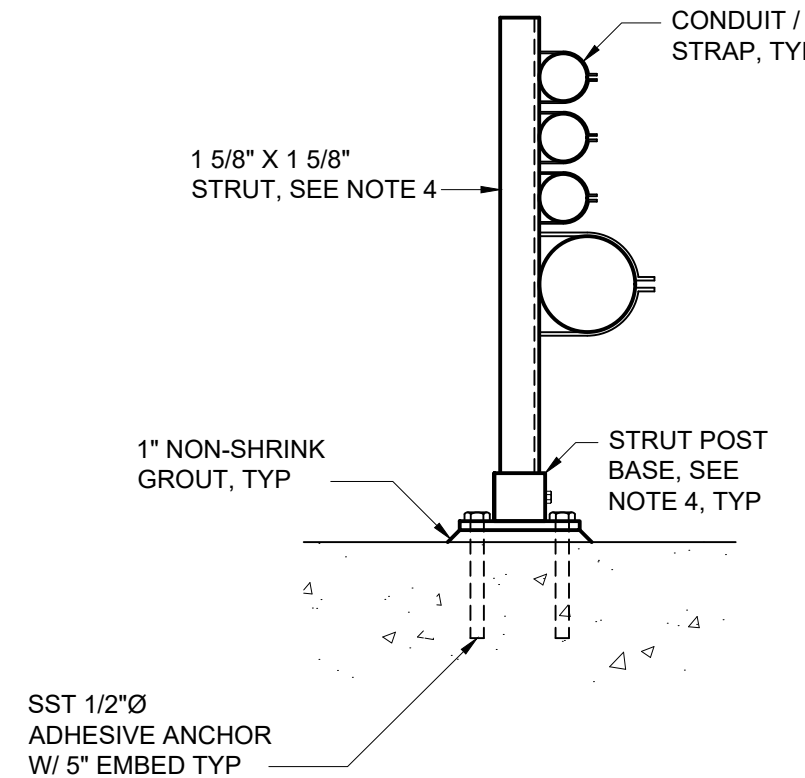
LFMC CONDUIT GROUND STRAP
E-26-0104



NOTES:

- SPACE SUPPORTS AT 5'-0" MAXIMUM. HANGER SPACING SHALL BE BASED ON MAXIMUM LOAD.
- ALL THREAD ROD SHALL BE USED ONLY FOR DUAL TRAY.
- REFER TO AREA DESIGNATION DRAWINGS AND SPECIFICATIONS FOR REQUIRED MATERIALS OF CONSTRUCTION.
- STRUT SHALL BE 12 GAUGE MINIMUM.

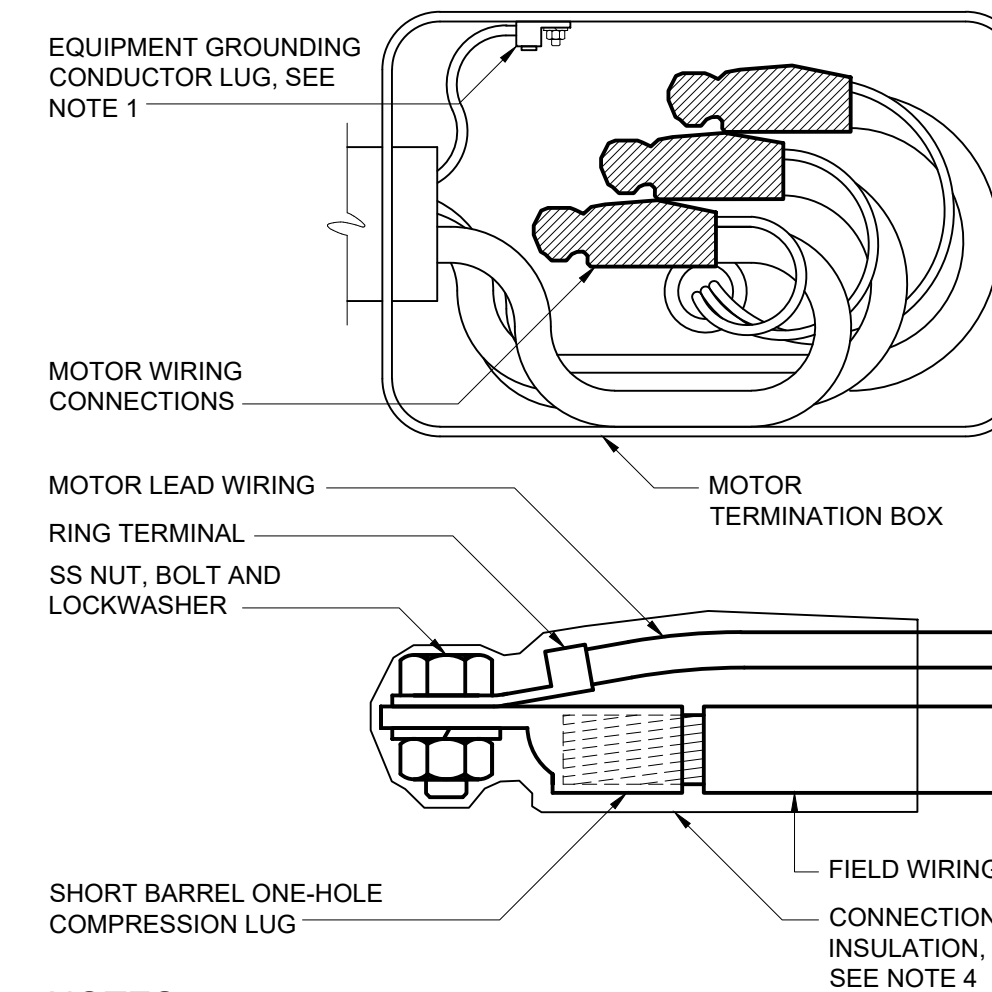
WALL MOUNTED RACEWAY SUPPORT RACK
E-26-0202



NOTES:

- CONDUIT SUPPORT RACK SPACING SHALL BE BASED ON MAXIMUM SPAN ALLOWABLE FOR ANY INDIVIDUAL PIPE AND FOR MAXIMUM LOAD.
- STRUT SHALL BE 12 GAUGE MINIMUM.
- REFER TO AREA DESIGNATION DRAWINGS AND SPECIFICATIONS FOR REQUIRED MATERIALS OF CONSTRUCTION.

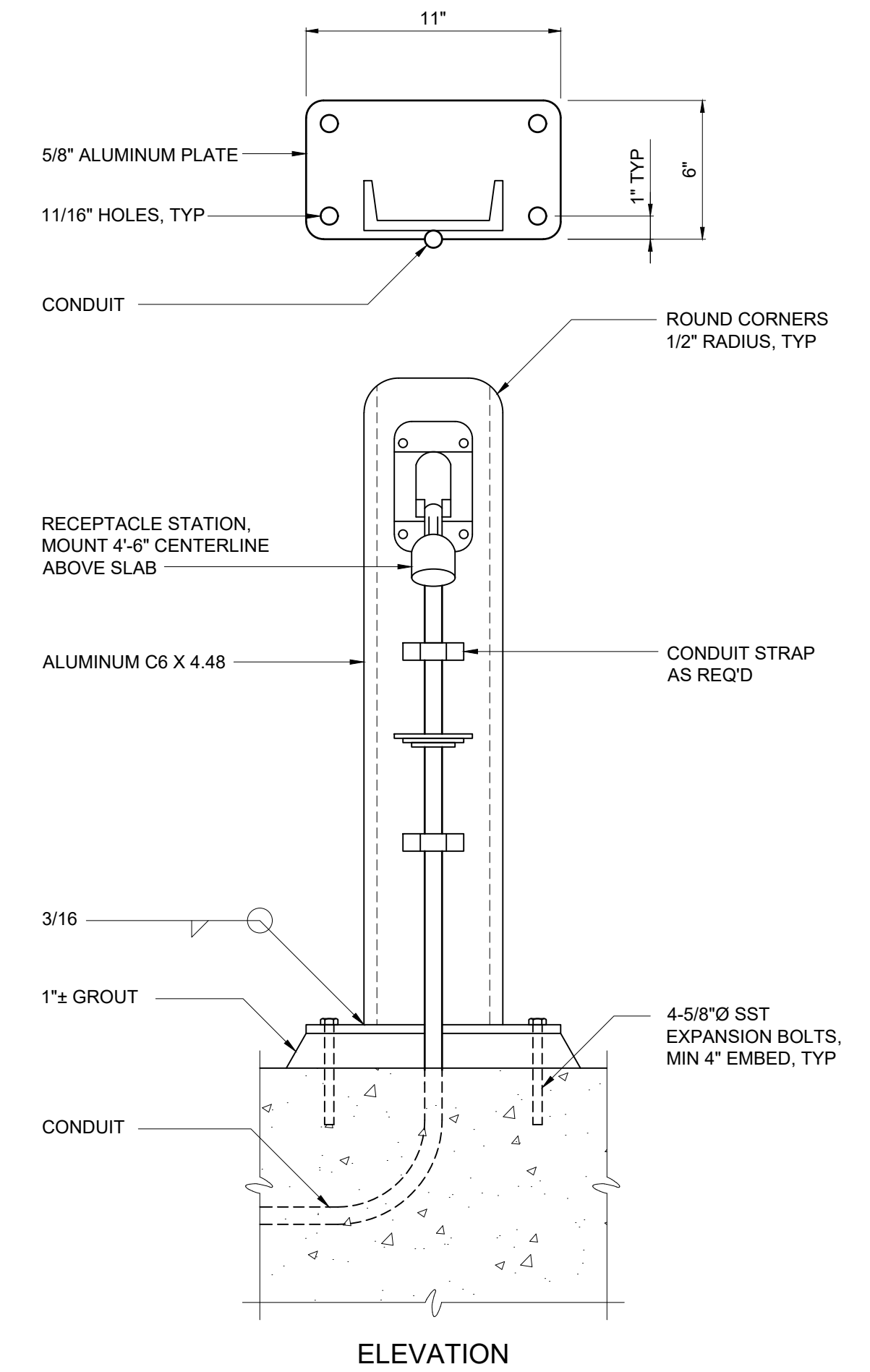
FREESTANDING RACEWAY SUPPORT RACK
E-26-0203



NOTES:

- EQUIPMENT GROUNDING CONDUCTOR LUG SHALL BE ATTACHED WITH NUT AND LOCKWASHER TO THE MOTOR GROUNDING STUD. WHERE PROVIDED, FACTORY INSTALLED EQUIPMENT GROUNDING CONDUCTOR LUGS ARE ACCEPTABLE IN LIEU OF THE FIELD INSTALLED EQUIPMENT GROUNDING CONDUCTOR LUG.
- RING TERMINALS ON MOTOR LEADS SHALL BE FACTORY INSTALLED BY THE MOTOR MANUFACTURER.
- INSTALL SHORT BARRREL COMPRESSION CONNECTOR ON FIELD WIRING WITH MANUFACTURER'S RECOMMENDED COMPRESSION TOOL AND CRIMPING DIE. CONNECTORS SHALL HAVE SMOOTHLY ROUNDED EDGES.
- HEAT SHRINK OR COLD APPLIED CONNECTOR INSULATION LISTED FOR THE PURPOSE AND AS SPECIFIED.

LOW VOLTAGE MOTOR TERMINATION
E-26-0301



NOTES:

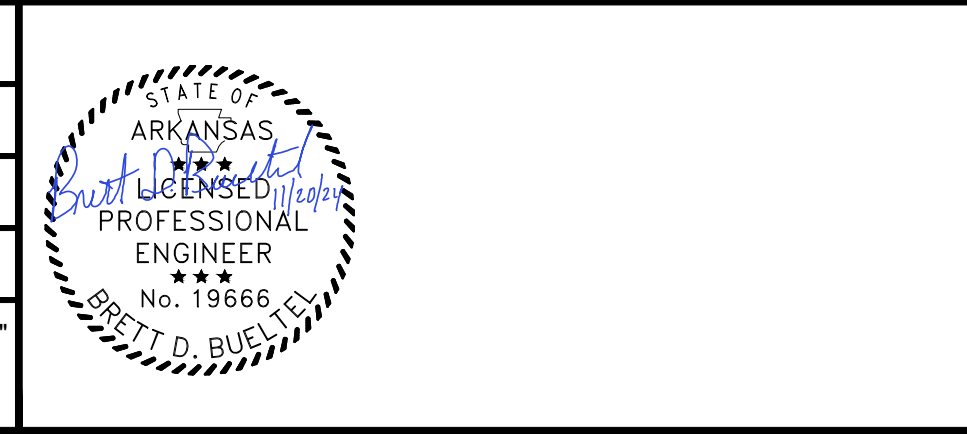
- COAT ALUMINUM SURFACES IN CONTACT WITH CONCRETE PER SPECIFICATIONS.
- CONSTRUCT 1'-6" DIAMETER X 2'-6" DEEP CONCRETE FOUNDATION WHERE NO CONCRETE SLAB EXISTS.
- USE SST WASHERS, NUTS AND BOLTS FOR MOUNTING DEVICES.

LARGE RECEPTACLE SUPPORT AND MOUNTING
E-26-0402

File: C:\USERS\NINELSON\ACCD\Hazen\ED001_ELECTRICAL\ED001 Saved by: NINELSON Save date: 10/1/2024 12:57 PM
PLOT DATE: 11/19/2024 1:52 PM BY: NINELSON

REV	ISSUED FOR	DATE	BY

PROJECT MANAGER:	T. HUDSON
DESIGNED BY:	N. NELSON
DRAWN BY:	N. NELSON
PROJECT ENGINEER:	B. BUELTEL
IF THIS BAR DOES NOT MEASURE 1" THEN DRAWING IS NOT TO FULL SCALE	0 1/2" 1"



Hazen
HAZEN AND SAWYER
8150 N. CENTRAL EXPRESSWAY
TOWER II - SUITE 700
DALLAS, TEXAS 75206

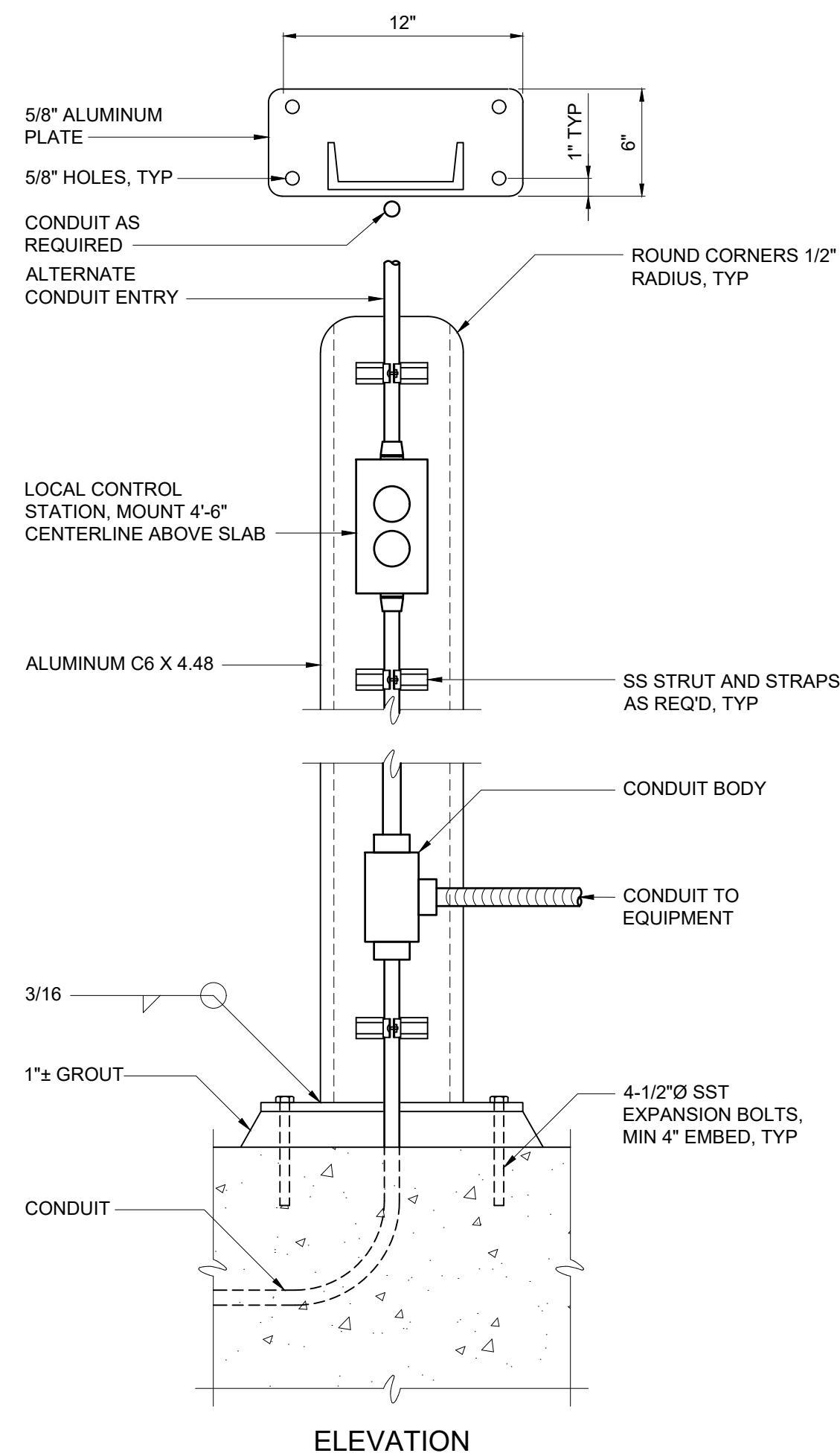
CENTRAL ARKANSAS WATER
LITTLE ROCK, ARKANSAS

JACK H. WILSON WTP RENEWAL AND
RESILIENCY PROJECT

ELECTRICAL
STANDARD DETAILS

DATE:	NOVEMBER 2024
HAZEN NO.:	60711-003
CONTRACT NO.:	1
DRAWING NUMBER:	ED0001

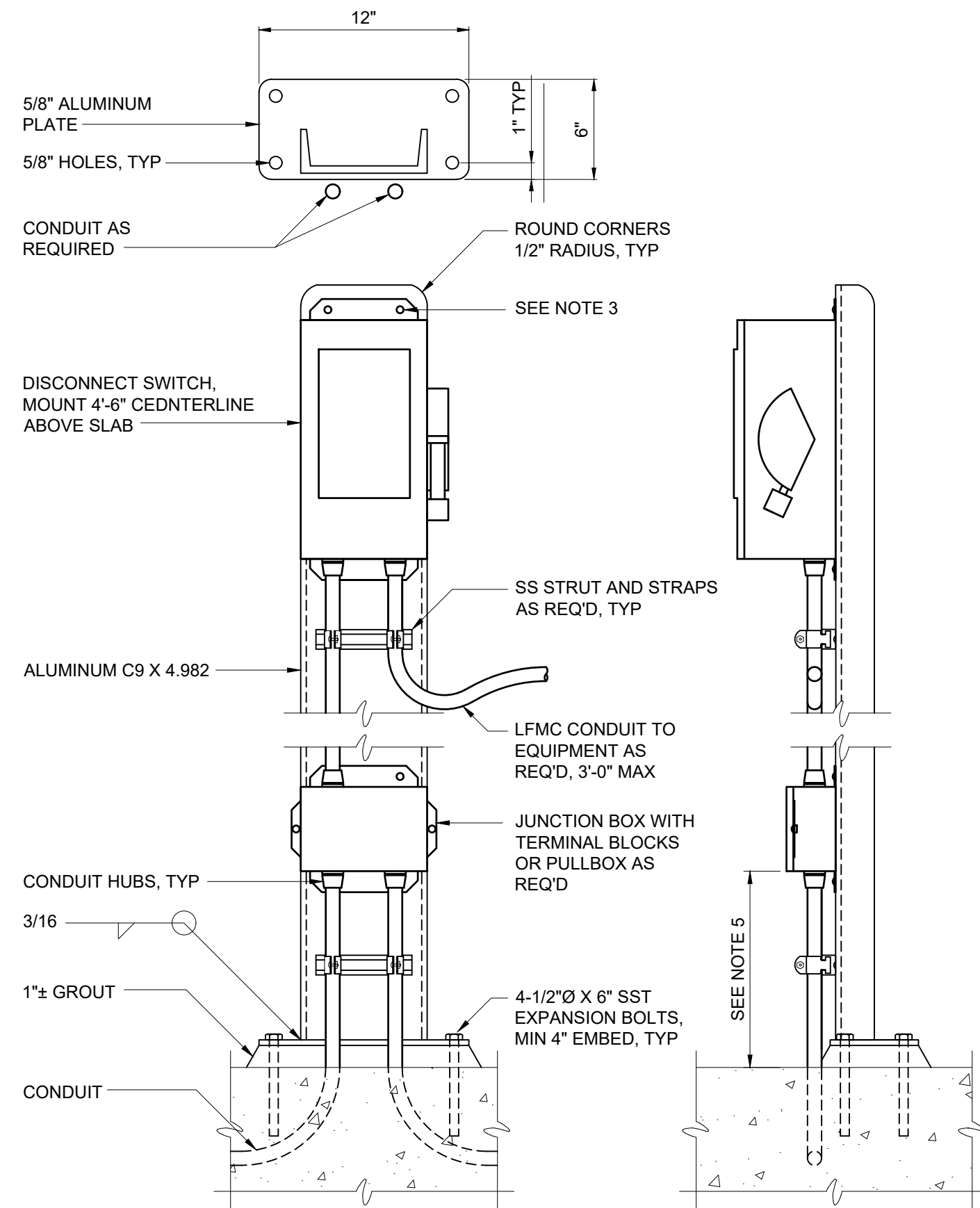
GMP SUBMITTAL. DO NOT USE FOR CONSTRUCTION.



NOTES:

1. COAT ALUMINUM SURFACES IN CONTACT WITH CONCRETE PER SPECIFICATIONS.
2. CONSTRUCT 1'-2" DIAMETER X 2'-6" DEEP FOUNDATION WHERE MOUNTING SURFACE IS NOT AVAILABLE.
3. USE SST WASHERS, NUTS AND BOLTS FOR MOUNTING DEVICES.

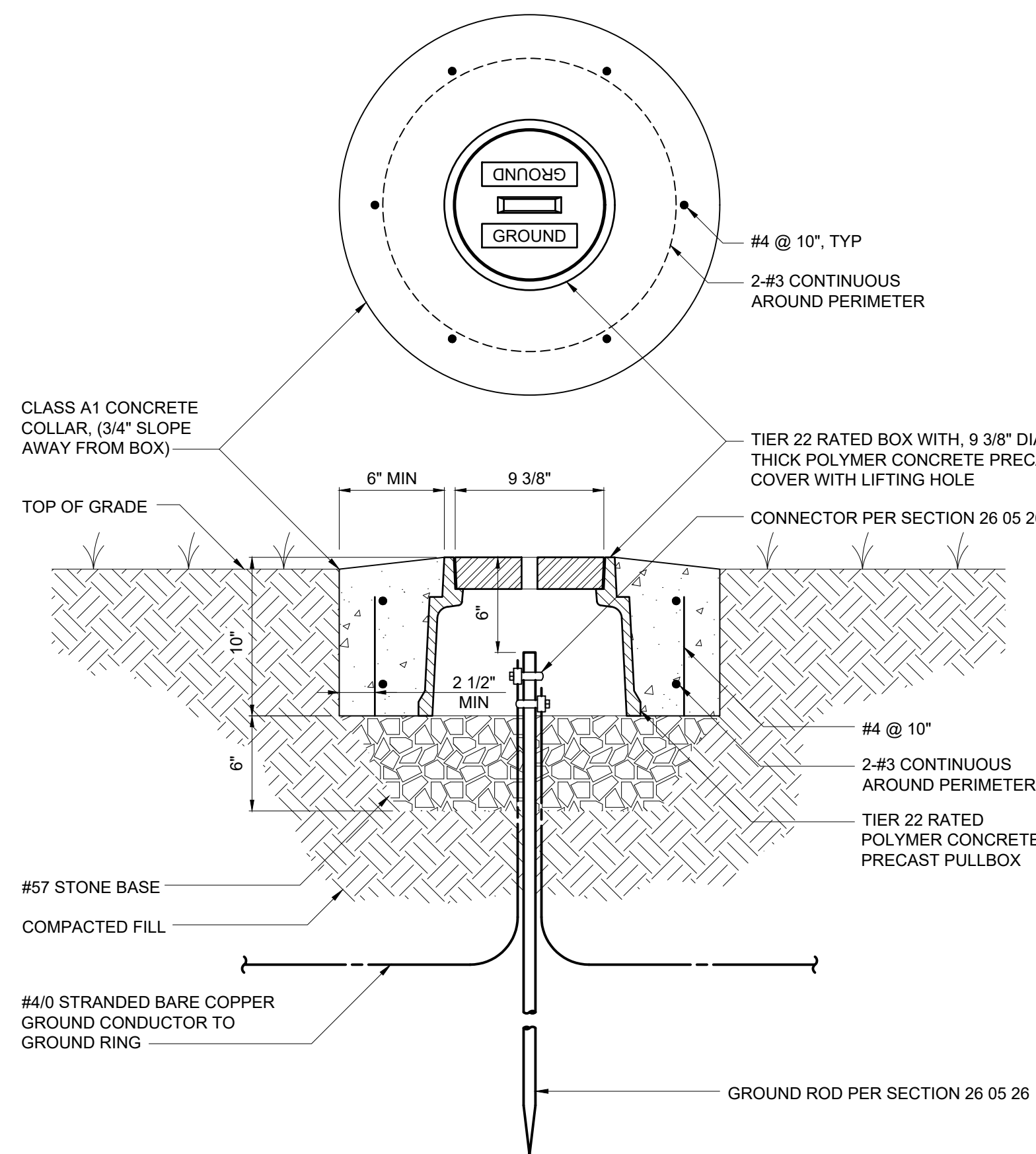
TYPICAL LOCAL CONTROL STATION
E-26-0401



NOTES:

1. COAT ALUMINUM SURFACES IN CONTACT WITH CONCRETE PER SPECIFICATIONS.
2. CONSTRUCT 1'-2" DIAMETER X 2'-6" DEEP FOUNDATION WHERE MOUNTING SURFACE IS NOT AVAILABLE.
3. USE SST WASHERS, LOCKWASHERS, NUTS AND BOLTS FOR MOUNTING EQUIPMENT AND STRUT SUPPORTS TO CHANNEL. DRILL EQUIPMENT MOUNTING TABS AS NECESSARY TO COORDINATE WITH CHANNEL WIDTH.
4. REFERENCE STANDARD DETAIL E-26-0102 WHERE CONDUIT EMERGES FROM CONCRETE.
5. COORDINATE MOUNTING HEIGHT ABOVE CONCRETE WITH AREA CLASSIFICATION REQUIREMENTS.

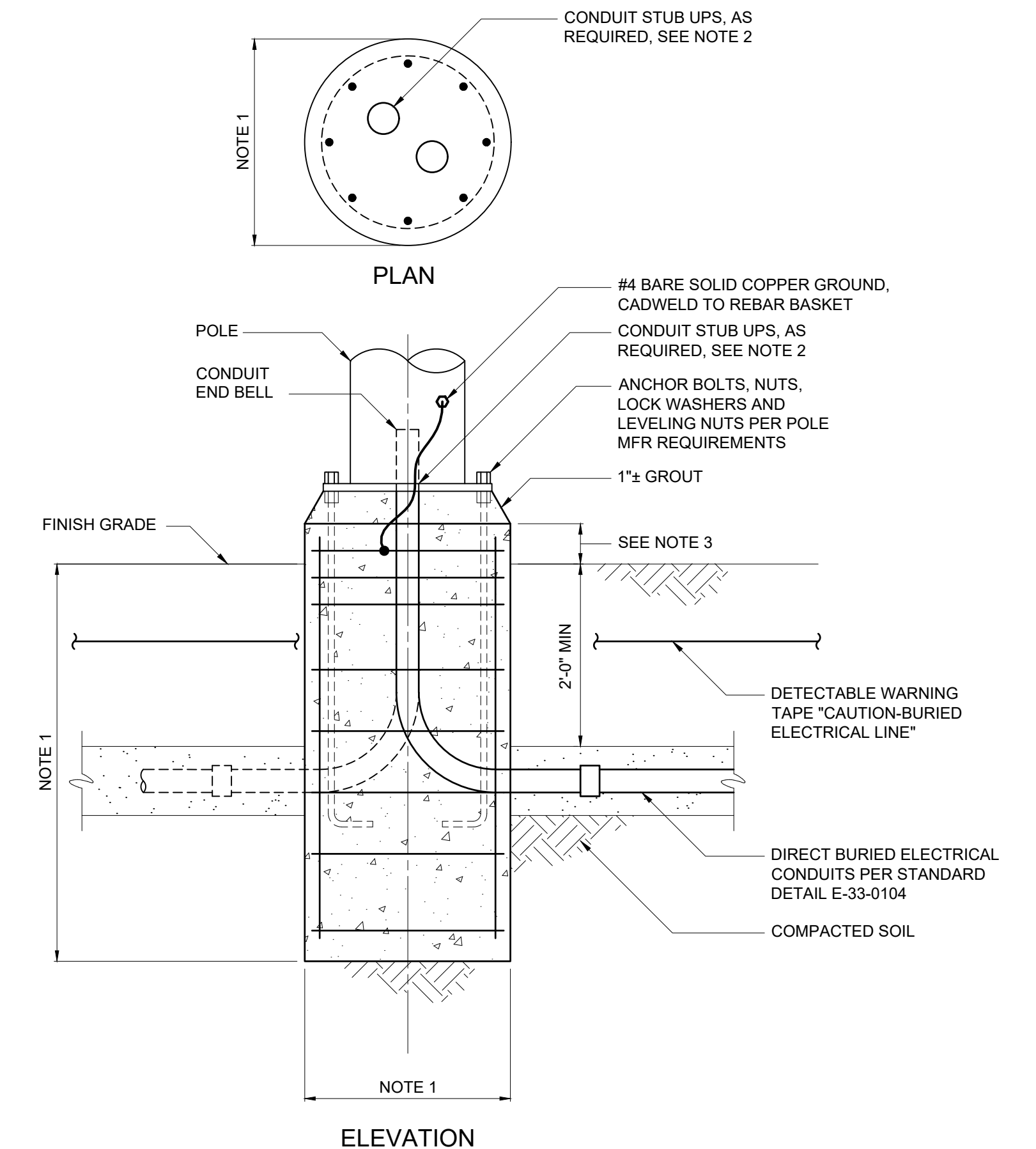
30 AND 60 AMP DISCONNECT SWITCH
E-26-0403



NOTES:

1. PRECAST PULLBOX AND COVER SHALL BE OLDCASTLE PART NUMBER 09101187, OR APPROVED EQUAL.

GROUND ROD TEST WELL
E-26-0501



NOTES:

1. DIAMETER, DEPTH AND REINFORCEMENT SHALL BE DETERMINED BY POLE MANUFACTURER IN ACCORDANCE WITH SECTION 26 50 00. LOADING SHALL BE IN ACCORDANCE WITH SECTION 26 50 00.
2. CONTRACTOR SHALL CAREFULLY COORDINATE LOCATION AND QUANTITY OF CONDUITS IN THE BASE SO THAT WHEN POLE IS INSTALLED, IT WILL FIT OVER THE CONDUITS.
3. PROJECTED HEIGHT ABOVE GRADE SHALL BE AS DESCRIBED IN THE POLE SCHEDULE IN 26 50 00.

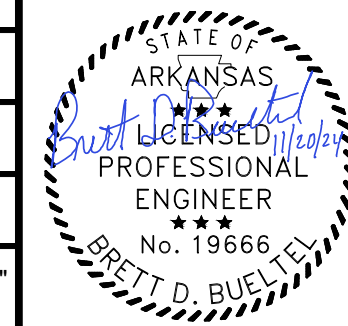
POLE-MOUNTED LIGHTING FIXTURE BASE
E-26-0601

GMP SUBMITTAL. DO NOT USE FOR CONSTRUCTION.

File: C:\USERS\NINELSON\ACC\ED0002\ELECTRICAL\ED0002 Saved by NINELSON Save date: 10/1/2024 12:57 PM

REV	ISSUED FOR	DATE	BY

PROJECT MANAGER:	T. HUDSON
DESIGNED BY:	N. NELSON
DRAWN BY:	N. NELSON
PROJECT ENGINEER:	B. BUELTEL
IF THIS BAR DOES NOT MEASURE 1" THEN DRAWING IS NOT TO FULL SCALE	0 1/2" 1"

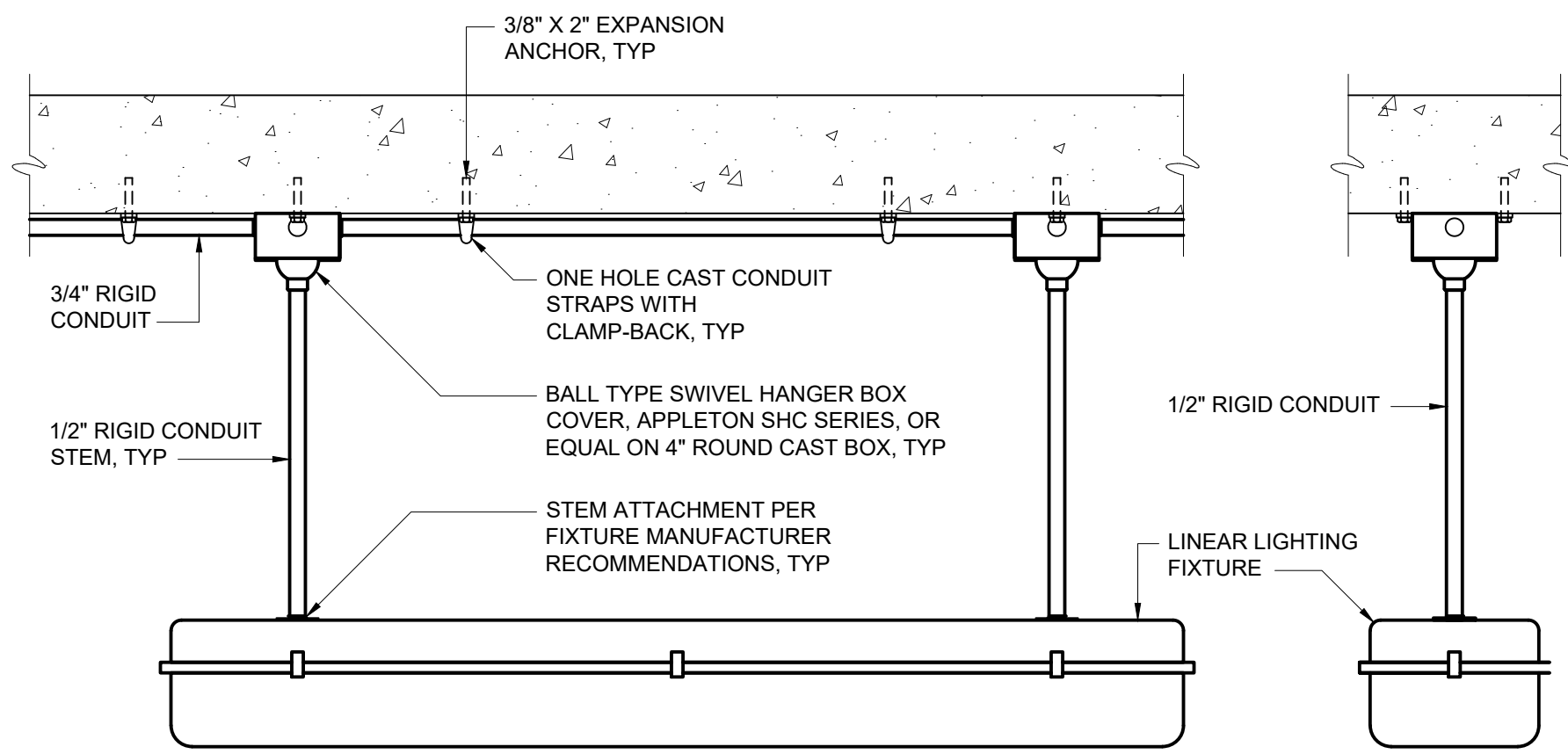


Hazen
HAZEN AND SAWYER
8150 N. CENTRAL EXPRESSWAY
TOWER II - SUITE 700
DALLAS, TEXAS 75206

CENTRAL ARKANSAS WATER
LITTLE ROCK, ARKANSAS
JACK H. WILSON WTP RENEWAL AND
RESILIENCY PROJECT

ELECTRICAL
STANDARD DETAILS

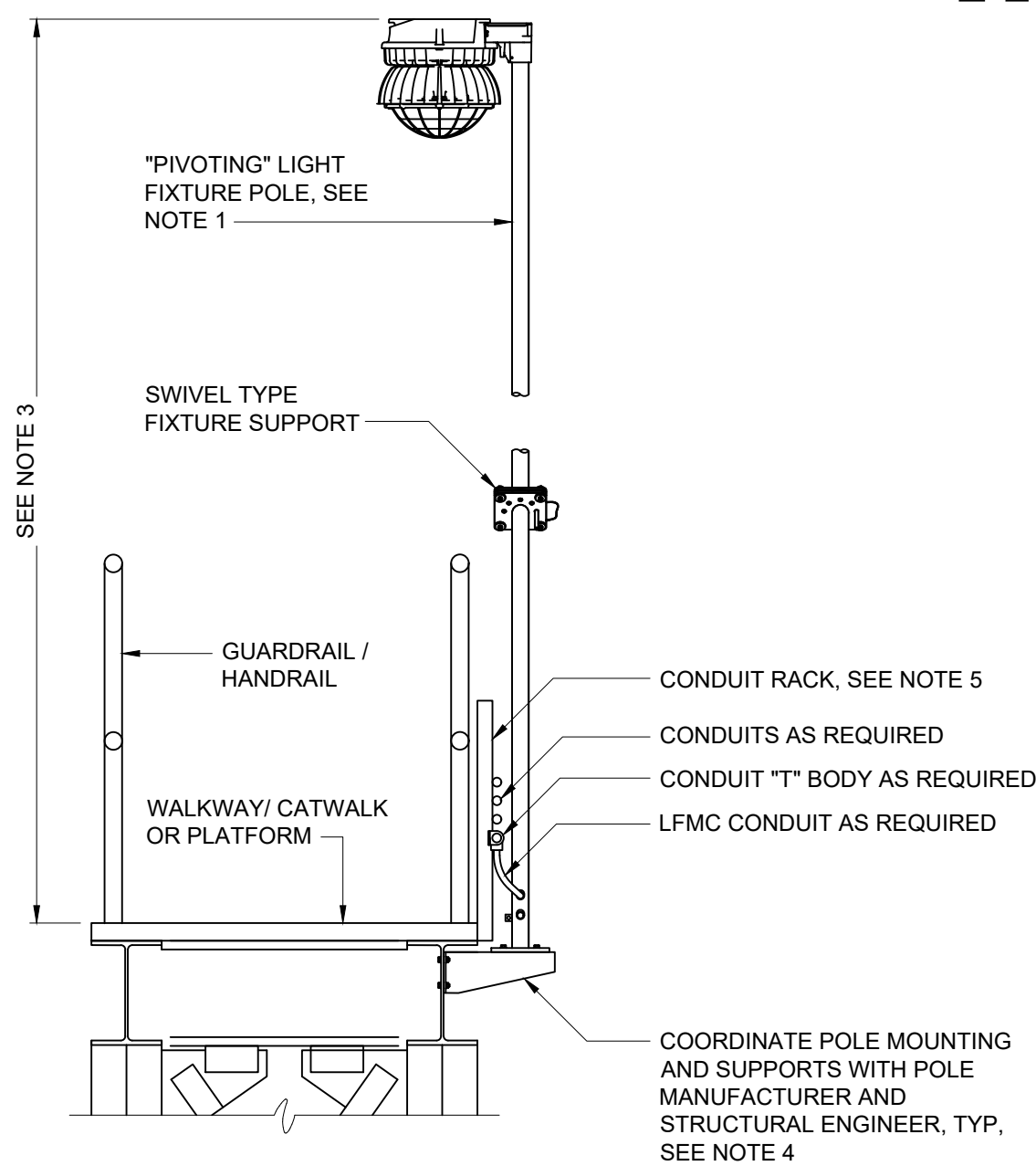
DATE:	NOVEMBER 2024
HAZEN NO.:	60711-003
CONTRACT NO.:	1
DRAWING NUMBER:	ED0002



NOTES:

- ADDITIONAL SEISMIC SUPPORTS MAY BE REQUIRED, SEE CODE SUMMARY DRAWING AND DRAWING E1 FOR SEISMIC CLASSIFICATIONS.
- CONDUIT TYPE AND MATERIALS OF CONSTRUCTION FOR SUPPORTS AND HARDWARE SHALL BE AS REQUIRED FOR THE AREA IN WHICH THE FIXTURE IS INSTALLED AS SHOWN ON THE DRAWINGS AND IN ACCORDANCE WITH THE SPECIFICATIONS.
- REFER TO AREA DESIGNATION DRAWINGS AND SPECIFICATIONS FOR REQUIRED MATERIALS OF CONSTRUCTION.

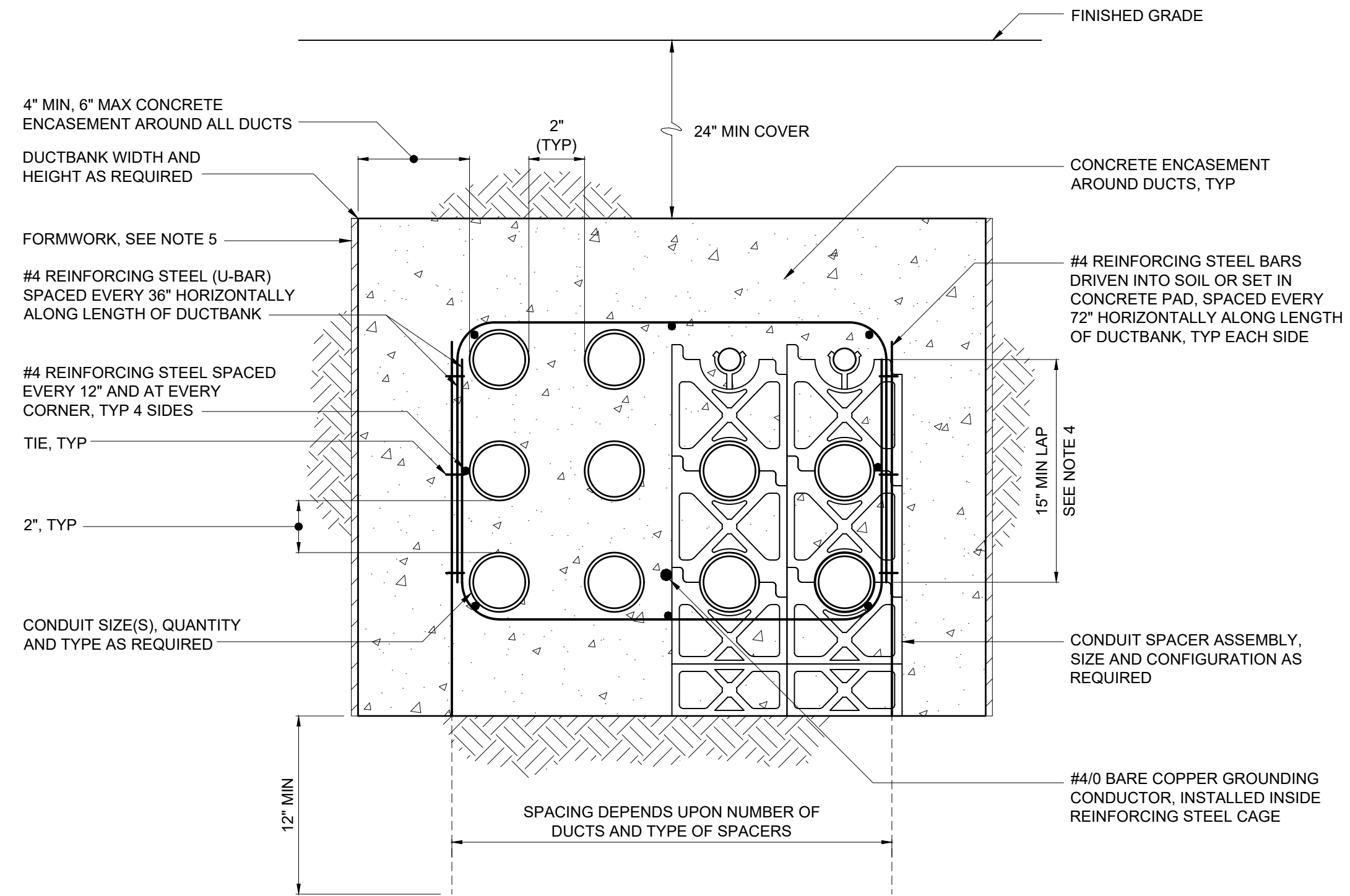
**INDIVIDUAL PENDANT MOUNTED LINEAR FIXTURE
E-26-0605**



NOTES:

- INSTALL PIVOTING LIGHT FIXTURE POLE PER MANUFACTURER'S REQUIREMENTS. ORIENT POLE SUCH THAT PIVOTED POSITION OF FIXTURE IS OVER CATWALK/WALKWAY OR PLATFORM. THOUGH A PIVOTING POLE IS SHOWN FOR REFERENCE, THIS DETAIL ALSO APPLIES TO ALTERNATE TYPES OF COLLAPSIBLE POLES (E.G. TELESCOPING) WHERE SPECIFIED IN SECTION 26 50 00.
- POLE AND FIXTURE SHALL BE AS SPECIFIED IN SECTION 26 50 00.
- HEIGHT AS SPECIFIED AND/OR AS INDICATED ON THE DRAWINGS.
- LIGHT POLES SHALL NOT BE ATTACHED TO OR SUPPORTED FROM HANDRAILS OR GUARD RAILS. THE BRIDGE MANUFACTURER SHALL PROVIDE A POLE MOUNTING BASE BOLTED TO THE BRIDGE BEAM AND COORDINATED WITH THE POLE MANUFACTURER.
- CONDUIT SHALL BE ROUTED ALONG CATWALK ABOVE PLATFORM AND SUPPORTED ON STRUT CHANNEL, INDEPENDENT FROM HANDRAILS OR GUARD RAILS AND SHALL BE EASILY ACCESSIBLE FROM CATWALK. BOXES AND FITTINGS PART OF THE CONDUIT RUN SHALL BE ORIENTED FOR EASE OF ACCESS FROM THE CATWALK.

**WALKWAY OR PLATFORM
POLE MOUNTED FIXTURE
E-26-0604R**



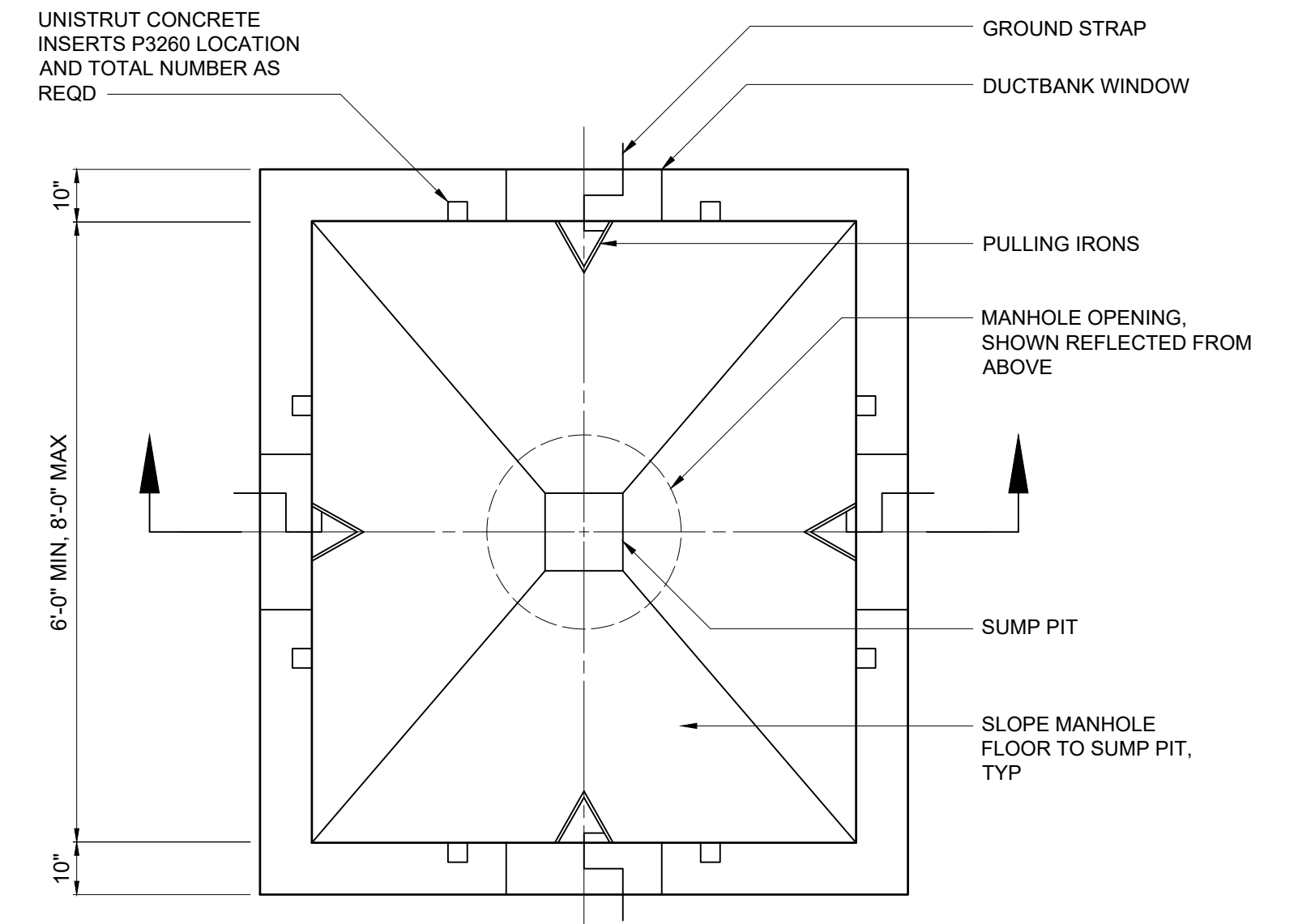
NOTES:

- CONCRETE SHALL BE FURNISHED AND INSTALLED IN ACCORDANCE WITH SPECIFICATION SECTION 03 30 00.
- REINFORCING STEEL AND TIES SHALL BE FURNISHED AND INSTALLED IN ACCORDANCE WITH SPECIFICATION SECTION 03 21 00. OVERLAP FOR REINFORCING STEEL SPLICES ALONG THE DUCTBANK LENGTH SHALL BE 15", MINIMUM.
- CONDUIT SPACERS ARE REQUIRED IN ACCORDANCE WITH SPECIFICATION SECTION 33 71 19. HORIZONTAL SPACING OF CONDUIT SPACER ASSEMBLIES ALONG LENGTH OF DUCTBANK SHALL BE AS SHOWN IN THE TABLE.
- FOR DUCTBANKS LESS THAN 15" IN HEIGHT, THE LAP SHALL BE THE HEIGHT OF THE DUCTBANK.
- IN POOR SOIL CONDITIONS, DUCTBANKS SHALL BE FORMED WITH FORMING MATERIALS TO MAINTAIN 4" MINIMUM ENCASEMENT. WHERE SOIL CONDITIONS PERMIT AND THE EXCAVATION IS MAINTAINED FOR A 4" MINIMUM TO 10" MAXIMUM ENCASEMENT, THE FORMWORK CAN BE OMITTED.

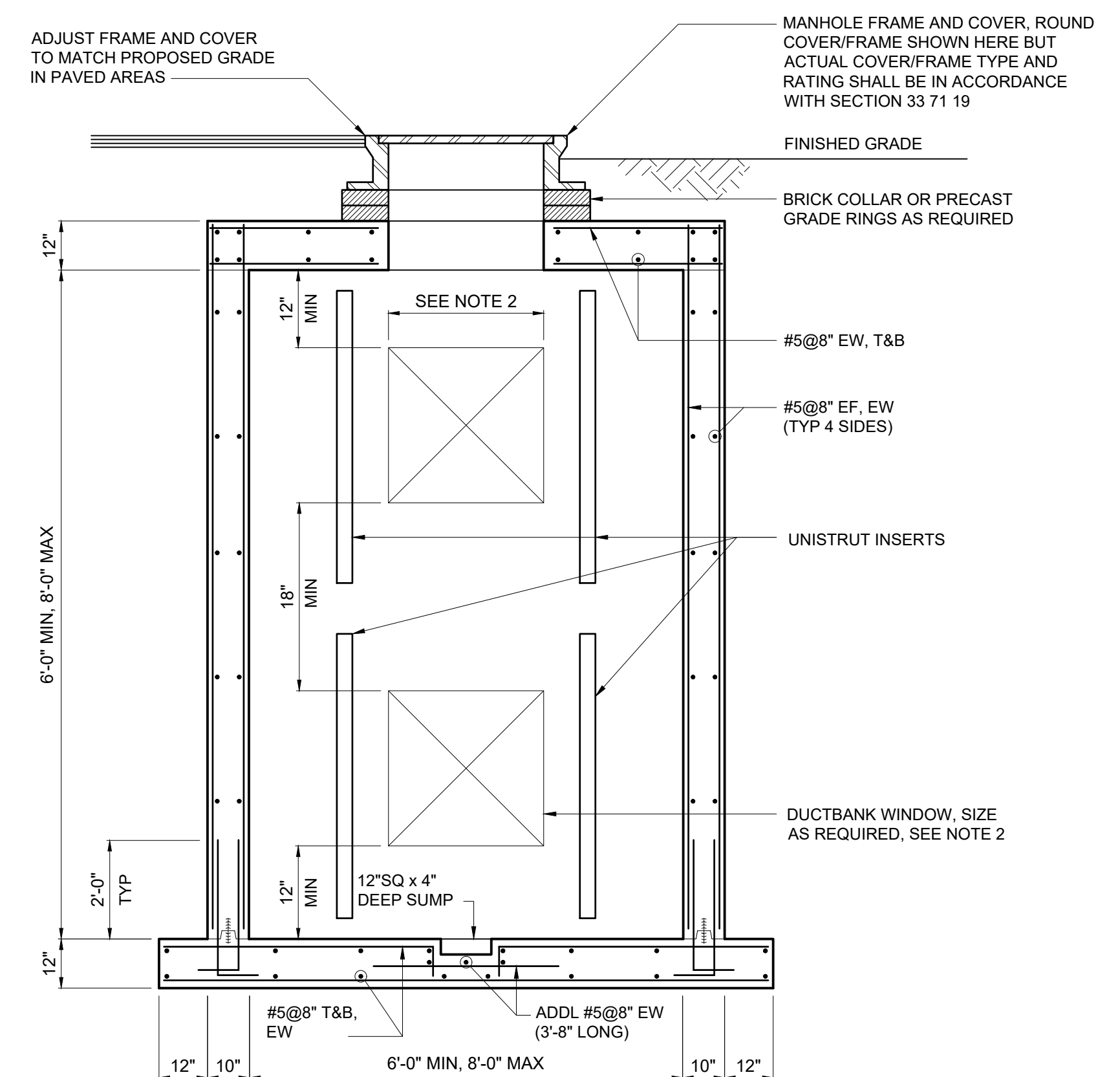
**MAX SPACING BETWEEN CONDUIT
SPACER ASSEMBLIES**

CONDUIT SIZE	SPACING
1"	3 FT
1 1/4-2"	5 FT
2 1/2-3"	6 FT
3 1/2-5"	7 FT
6"	8 FT

**TYPICAL DUCTBANK SECTION
E-33-0101**



CAST-IN-PLACE ELECTRICAL MANHOLE - PLAN



NOTES:

- DUCTBANK WINDOW WIDTH SHALL BE LIMITED TO ONE-THIRD (1/3) OF THE WALL WIDTH, I.E. 2'-0" FOR A 6'-0" WALL.
- CAST-IN-PLACE OR PRE-CAST MANHOLES MAY BE USED AT THE CONTRACTOR'S OPTION. THIS DETAIL IS REPRESENTATIVE OF CAST-IN-PLACE MANHOLE CONSTRUCTION. IN EITHER CASE, MANHOLES SHALL BE FURNISHED AND/OR CONSTRUCTED IN ACCORDANCE WITH SECTION 33 71 19.

**CAST-IN-PLACE ELECTRICAL MANHOLE - SECTION
E-33-0102**

GMP SUBMITTAL. DO NOT USE FOR CONSTRUCTION.

File: C:\USERS\NINELSON\ACC\ED0003\HAZEN AND SAWYER\60711-001_WILSON WTP_REHAB_FILTER_BASIN\PROJECT FILES\00_ELECTRICAL\ED0003 Saved by: NINELSON Save date: 10/9/2024 2:59 PM
PLOT DATE: 11/19/2024 1:52 PM BY: NINELSON

REV	ISSUED FOR	DATE	BY

PROJECT MANAGER:	T. HUDSON
DESIGNED BY:	N. NELSON
DRAWN BY:	N. NELSON
PROJECT ENGINEER:	B. BUELTEL
IF THIS BAR DOES NOT MEASURE 1" THEN DRAWING IS NOT TO FULL SCALE	0 1/2" 1"



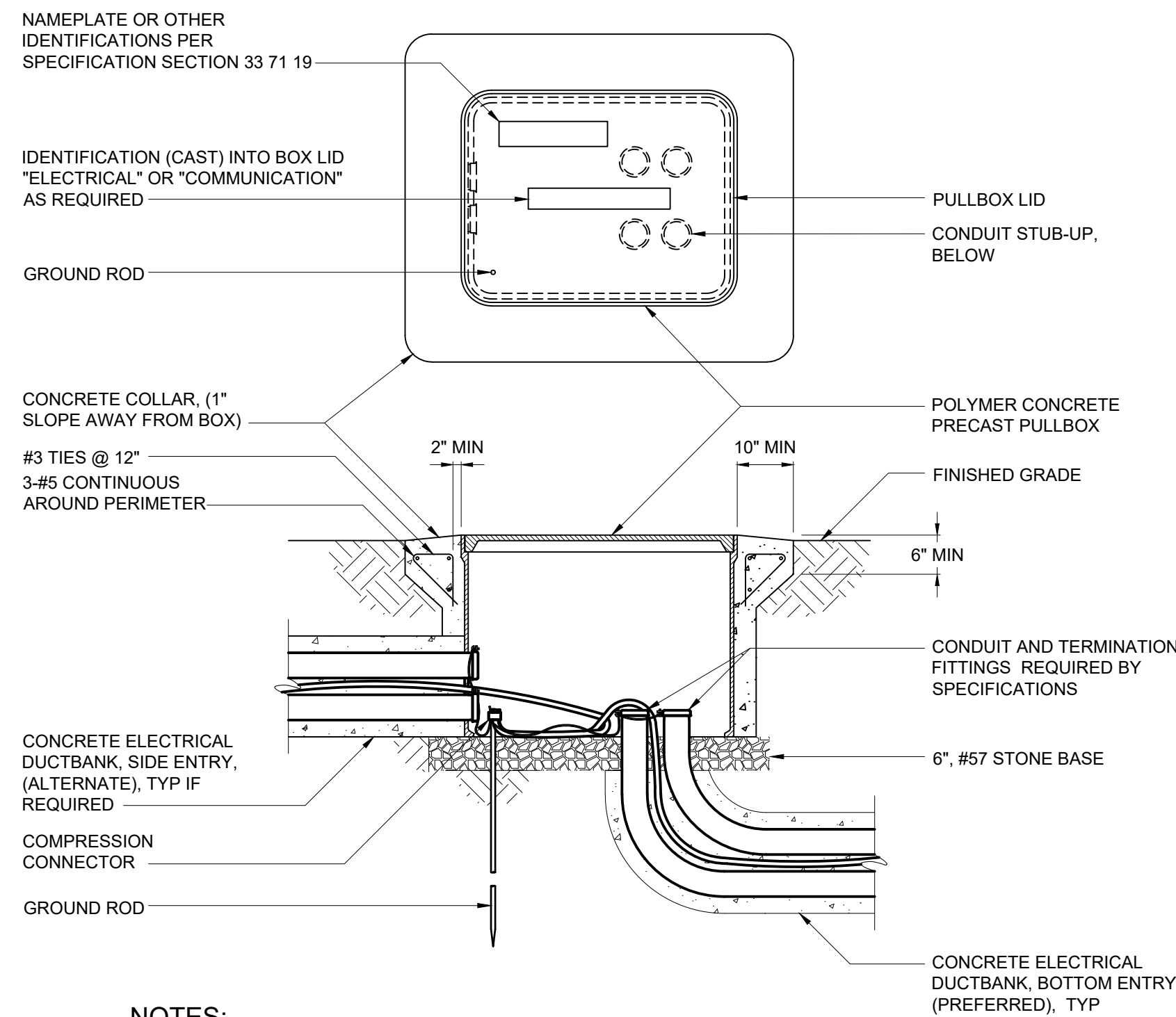
Hazen
HAZEN AND SAWYER
8150 N. CENTRAL EXPRESSWAY
TOWER II - SUITE 700
DALLAS, TEXAS 75206

CENTRAL ARKANSAS WATER
LITTLE ROCK, ARKANSAS

JACK H. WILSON WTP RENEWAL AND
RESILIENCY PROJECT

**ELECTRICAL
STANDARD DETAILS**

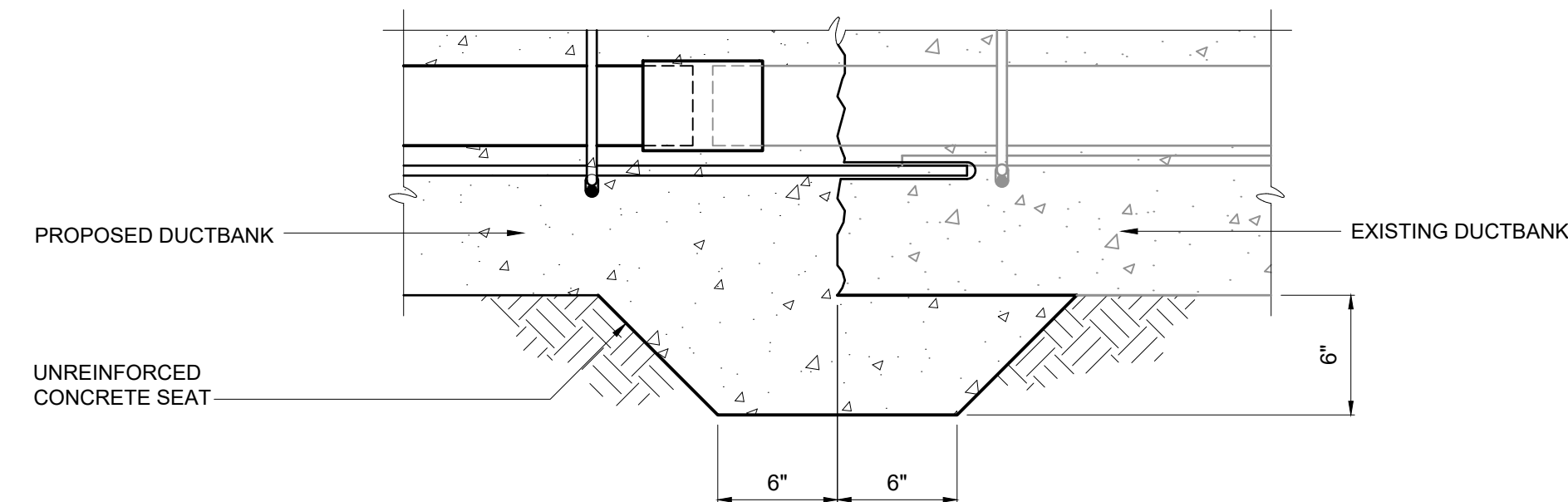
DATE:	NOVEMBER 2024
HAZEN NO.:	60711-003
CONTRACT NO.:	1
DRAWING NUMBER:	ED0003



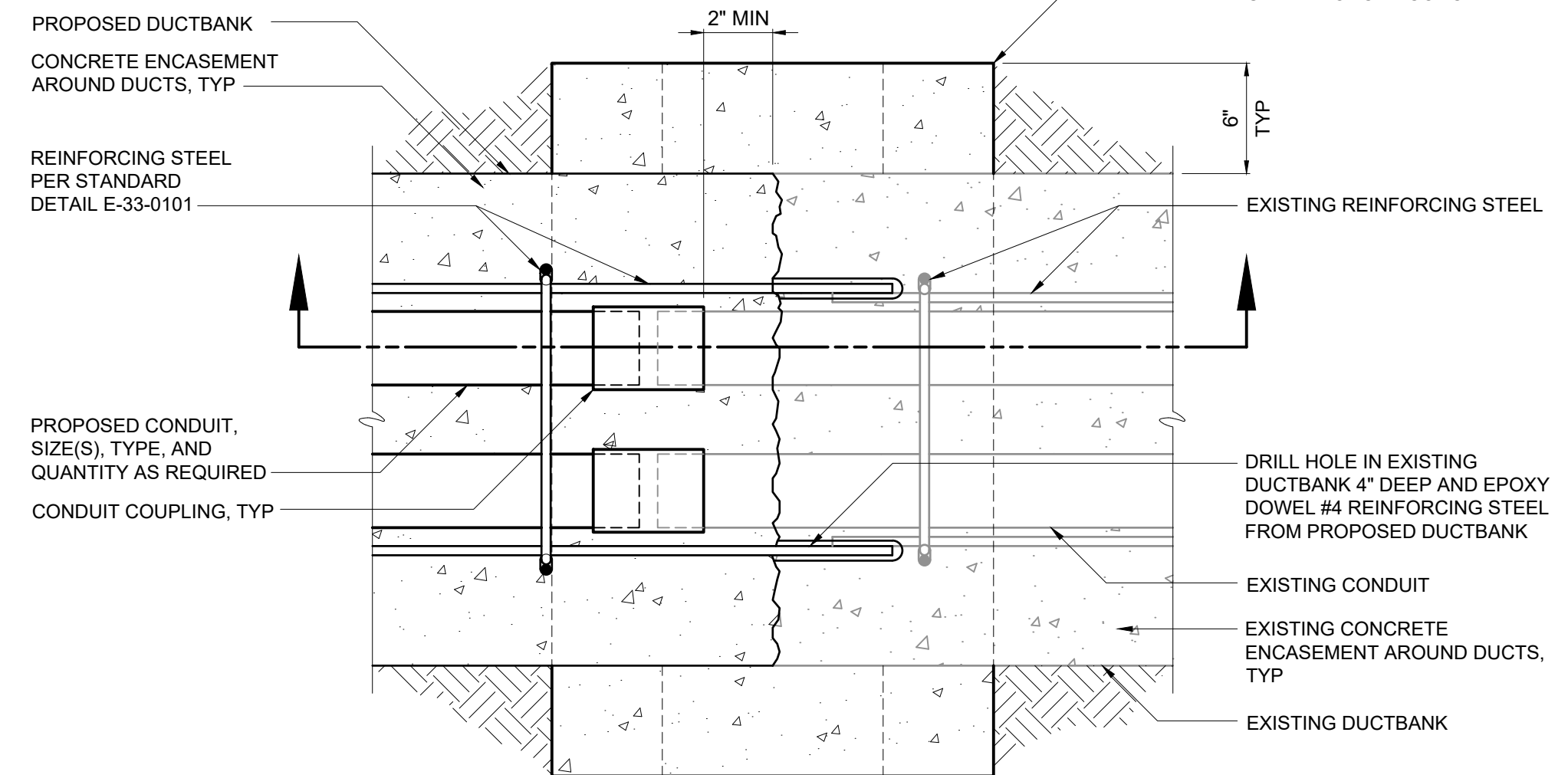
NOTES:

1. FOR SIDE ENTRY, CONDUIT DUCTBANK SHALL ENTER PULLBOX AT LOWEST POINT.
2. GROUND CONDUCTORS WITHIN DUCTBANK SHALL BE BONDED TOGETHER AND TO GROUND ROD.
3. CONDUIT BONDING BUSHINGS (IF REQUIRED) SHALL BE BONDED TO GROUND ROD.
4. FOR SIDE ENTRY, CONDUIT SHALL ENTER IN INDIVIDUAL CIRCULAR HOLES APPROPRIATELY SIZED FOR THE CONDUIT. LARGE SINGLE RECTANGULAR OPENINGS FOR MULTIPLE CONDUITS ARE NOT ACCEPTABLE
5. DUCTBANK REINFORCING REBAR SHALL PENETRATE THE SIDEWALLS OF THE BOX NO LONGER THAN 1\"/>

**POLYMER CONCRETE ELECTRICAL HANDHOLE
E-33-0103**



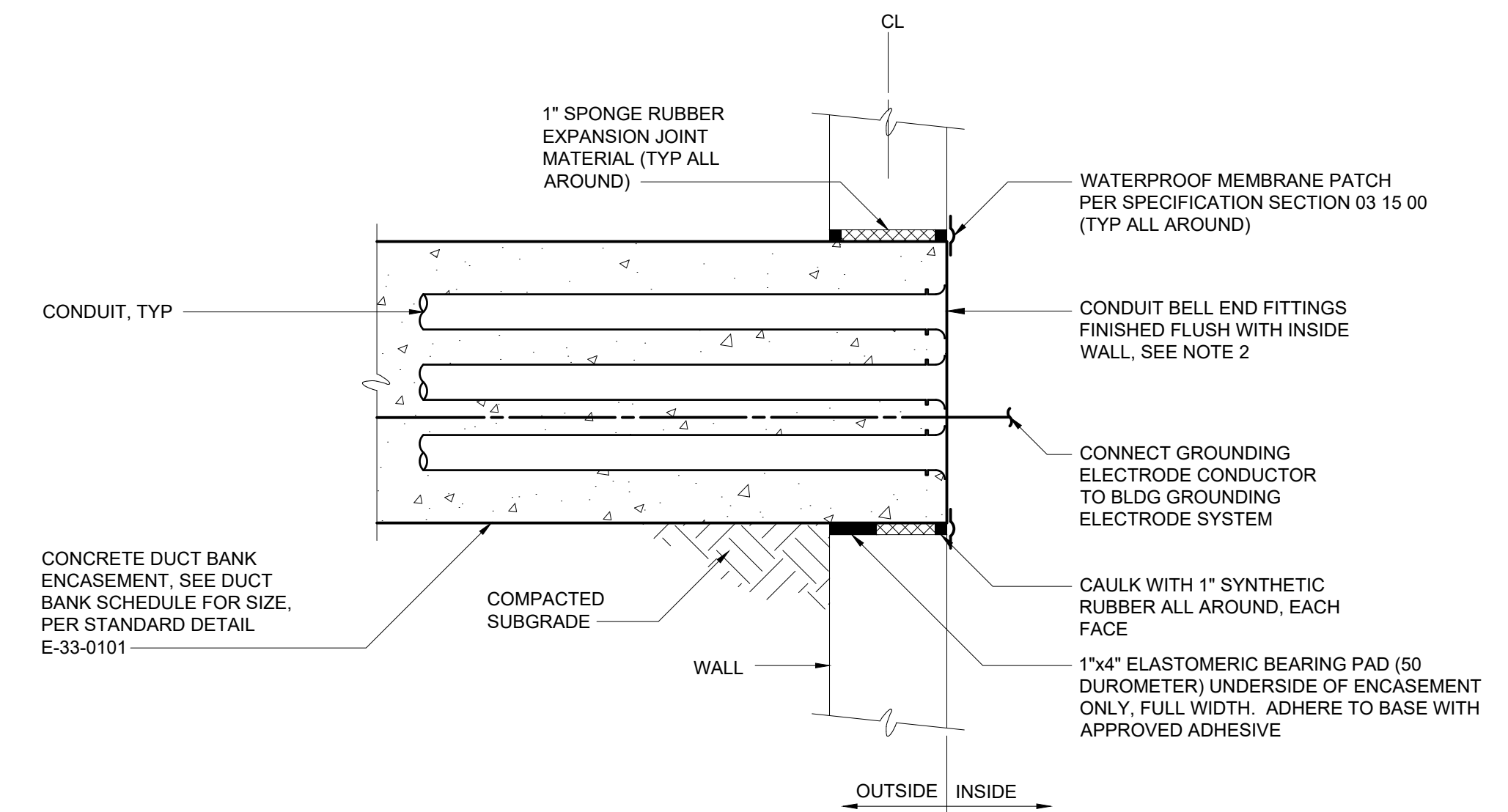
**PROPOSED DUCTBANK CONNECTION
TO EXISTING DUCTBANK - SECTION**



NOTES:

1. CAREFULLY CHIP BACK CONCRETE AROUND EXISTING CONDUITS AS SHOWN.
2. PROVIDE DOWEL ADHESIVE AS REQUIRED BY SPECIFICATION SECTION 03 21 00.

**PROPOSED DUCTBANK CONNECTION
TO EXISTING DUCTBANK - PLAN
E-33-0105**



NOTES:

1. BLOCK-OUT IN WALL SHALL BE SMOOTH AND PLUM BUILT TO ACCOMMODATE THE REQUIRED CONCRETE DUCT BANK ENCASEMENT PLUS 1\"/>
- 2. INSTALL EXPANDING FOAM SEALANT IN CONDUIT AROUND CONDUCTORS PER MANUFACTURER'S RECOMMENDATIONS.

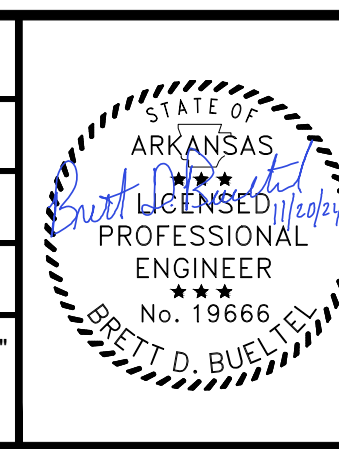
**BELOW-GRADE DUCT BANK TERMINATION TO EXISTING MANHOLE
E-33-0106**

GMP SUBMITTAL. DO NOT USE FOR CONSTRUCTION.

File: C:\USERS\NINELSON\ACCD\Hazen and Sawyer\60711-001_WILSON_WTP_REHAB_FILTER_BASINPROJECT FILES\900_ELECTRICAL\ED0004 Saved by: SREXHEPI Save date: 10/10/2024 10:30 AM PLOT DATE: 11/19/2024 1:52 PM BY: NINELSON

REV	ISSUED FOR	DATE	BY

PROJECT MANAGER:	T. HUDSON
DESIGNED BY:	N. NELSON
DRAWN BY:	N. NELSON
PROJECT ENGINEER:	B. BUELTEL
IF THIS BAR DOES NOT MEASURE 1\"/>	



Hazen
HAZEN AND SAWYER
8150 N. CENTRAL EXPRESSWAY
TOWER II - SUITE 700
DALLAS, TEXAS 75206

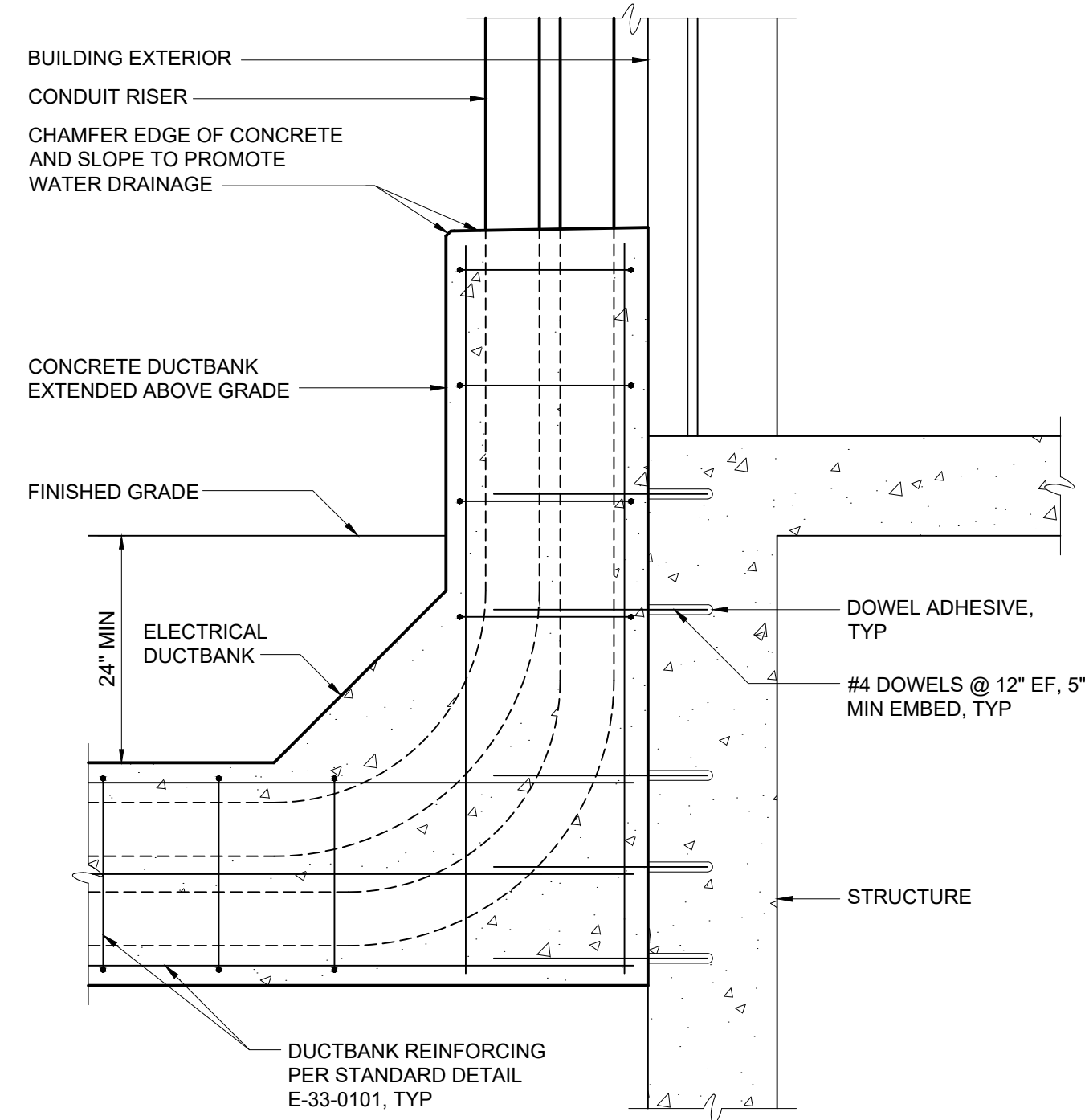
**CENTRAL ARKANSAS WATER
LITTLE ROCK, ARKANSAS**

**JACK H. WILSON WTP RENEWAL AND
RESILIENCY PROJECT**

**ELECTRICAL
STANDARD DETAILS**

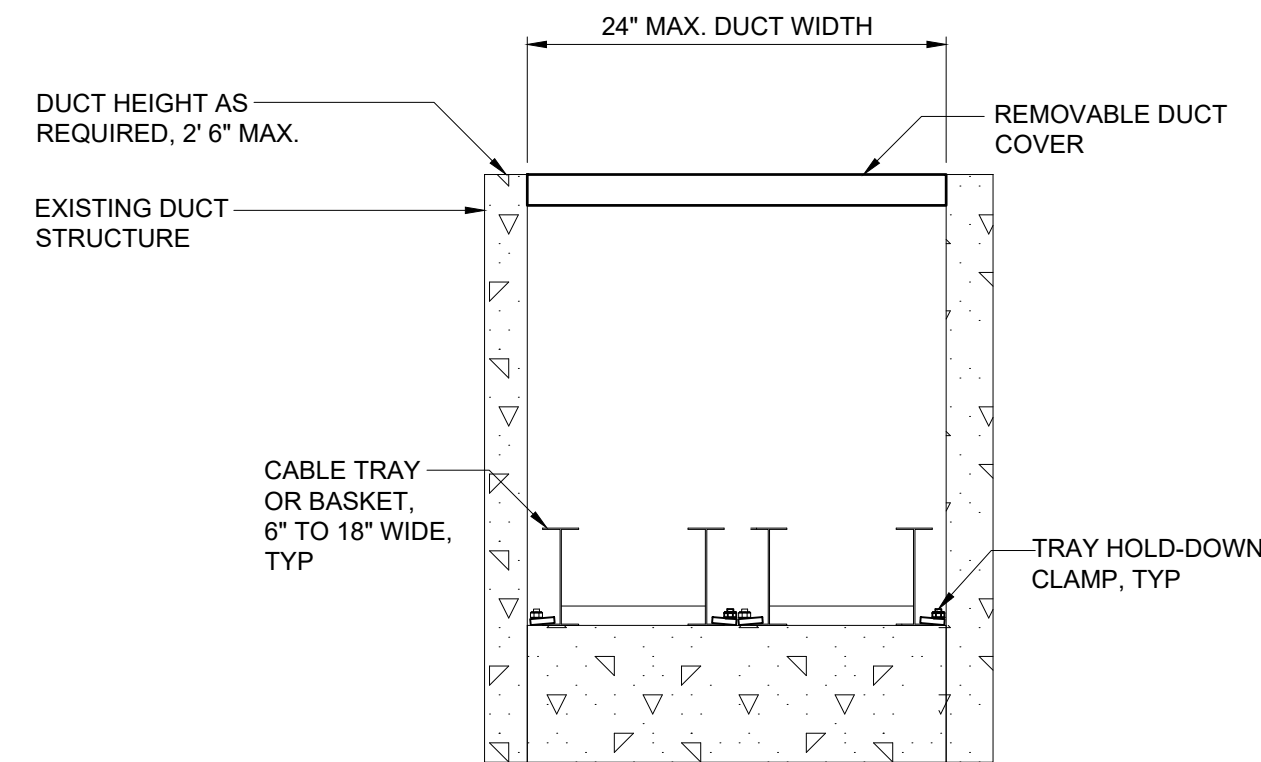
DATE:	NOVEMBER 2024
HAZEN NO.:	60711-003
CONTRACT NO.:	1
DRAWING NUMBER:	ED0004

File: C:\USERS\NINELSON\DRAWING\HAZEN AND SAWYER\60711-001_WILSON_WTP_REHAB_FILTER_BASINPROJECT FILES\00_ELECTRICAL\ED0005 Saved by NINELSON Save date: 11/14/2024 3:53 PM
 PLOT DATE: 11/19/2024 1:52 PM BY: NINELSON



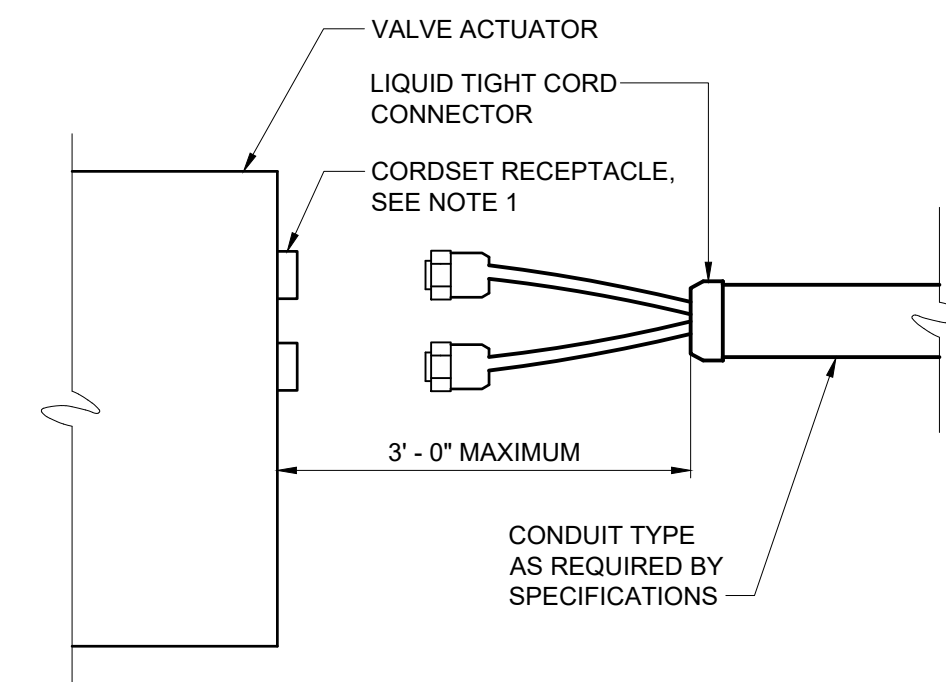
- NOTES:**
1. PROVIDE DOWEL ADHESIVE AS REQUIRED BY SPECIFICATION SECTION 03 21 00.

DUCTBANK ATTACHMENT TO STRUCTURE
 E-33-0107



- NOTES:**
1. POWER CABLES IN TRAY MUST BE SEPARATE FROM CONTROL AND INSTRUMENTATION CABLES. USE ONE TRAY FOR POWER, AND ONE TRAY FOR CONTROL AND INSTRUMENTATION.
 2. DUE TO THE VARIABLE HEIGHT OF THE WALKER DUCT, TRAY LAYOUT AND SIZE MAY BE VARIED THROUGHOUT.

TYPICAL WALKER DUCT SECTION



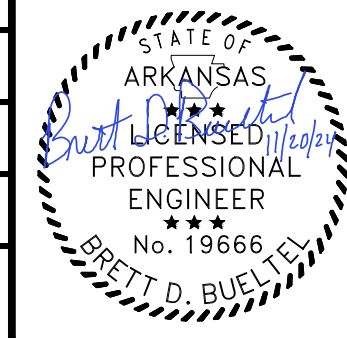
- NOTES:**
1. RECEPTACLE COMPATIBLE WITH SUPPLIED CORDSET INSTALLED IN ACTUATOR N.P.T. CONDUIT CONNECTION.

TYPICAL VALVE ACTUATOR CONNECTION

GMP SUBMITTAL. DO NOT USE FOR CONSTRUCTION.

REV	ISSUED FOR	DATE	BY

PROJECT MANAGER:	T. HUDSON
DESIGNED BY:	N. NELSON
DRAWN BY:	N. NELSON
PROJECT ENGINEER:	B. BUELTEL
IF THIS BAR DOES NOT MEASURE 1" THEN DRAWING IS NOT TO FULL SCALE	



Hazen
 HAZEN AND SAWYER
 8150 N. CENTRAL EXPRESSWAY
 TOWER II - SUITE 700
 DALLAS, TEXAS 75206

CENTRAL ARKANSAS WATER
 LITTLE ROCK, ARKANSAS
 JACK H. WILSON WTP RENEWAL AND
 RESILIENCY PROJECT

ELECTRICAL
 STANDARD DETAILS

DATE:	NOVEMBER 2024
HAZEN NO.:	60711-003
CONTRACT NO.:	1
DRAWING NUMBER:	ED0005

INSTRUMENT AND FUNCTION SYMBOLS

LOCATION AND ACCESSIBILITY	SHARED DISPLAY/SHARED CONTROL		COMPUTER SYSTEMS AND SOFTWARE	DISCRETE
	PRIMARY CHOICE OR BASIC PROCESS CONTROL SYSTEM	ALTERNATE CHOICE OR SAFETY INSTRUMENTED SYSTEM		
- LOCATED IN FIELD - NOT PANEL, CABINET, OR CONSOLE MOUNTED - VISIBLE AT FIELD LOCATION - NORMALLY OPERATOR ACCESSIBLE				
- LOCATED IN OR ON FRONT OF CENTRAL OR MAIN PANEL OR CONSOLE - VISIBLE ON FRONT OF PANEL OR ON VIDEO DISPLAY - NORMALLY OPERATOR ACCESSIBLE AT PANEL FRONT OR CONSOLE				
- LOCATED IN REAR OF CENTRAL OR MAIN PANEL - LOCATED IN CABINET BEHIND PANEL - NOT VISIBLE ON FRONT OF PANEL OR ON VIDEO DISPLAY - NOT NORMALLY OPERATOR ACCESSIBLE AT PANEL OR CONSOLE				
- LOCATED IN OR ON FRONT OF SECONDARY OR LOCAL PANEL OR CONSOLE - VISIBLE ON FRONT OF PANEL OR ON VIDEO DISPLAY - NORMALLY OPERATOR ACCESSIBLE AT PANEL FRONT OR CONSOLE				
- LOCATED IN REAR OF SECONDARY OR LOCAL PANEL - LOCATED IN FIELD CABINET - NOT NORMALLY OPERATOR ACCESSIBLE AT PANEL OR CONSOLE				

SUFFIX (X) TO DIFFERENTIATE BETWEEN INSTRUMENTS AND FUNCTIONS THAT WOULD OTHERWISE HAVE THE SAME IDENTIFICATION.

SINGLE INSTRUMENT OR OTHER COMPONENT HAVING MULTIPLE FUNCTIONS OR SHARING A COMMON HOUSING

DESIGNATIONS OF CONTROL FUNCTIONS (ZZZ) ASSOCIATED WITH INSTRUMENT OR OTHER COMPONENTS.

AM - AUTO/MANUAL	OC - OPEN/CLOSE	SIL - ALARM SILENCE
DEV - DEVIATION	OSC - OPEN/STOP/CLOSED	SP - SET POINT
MOA - MANUAL/OFF/AUTO	POT - POTENTIOMETER	SR - START/RESET
HOR - HAND/OFF/REMOTE	RES - ALARM RESET	SS - START/STOP
LOS - LOCKOUT STOP	RL - RAISE/LOWER	IS - IN SERVICE
LR - LOCAL/REMOTE	RS - RUN/STOP	OOS - OUT OF SERVICE
LOR - LOCAL/OFF/REMOTE	RSL - RAISE/STOP/LOWER	
OO - ON / OFF	SD - SHUTDOWN	
	SEL - SELECT	

CONTROL SYSTEM FUNCTION

INSTRUMENT WITH COMPUTING OR CONVERTING FUNCTION

CONVERT

E - VOLTAGE	H - HYDRAULIC
I - CURRENT	O - ELECTROMAGNETIC, SONIC
P - PNEUMATIC	R - RESISTANCE (ELECT.)
A - ANALOG	D - DIGITAL
B - BINARY	

FUNCTION

SUMMING	PROPORTIONAL	DIFFERENCE	SUBTRACTOR	DERIVATIVE
HIGH SELECT	MULTIPLYING	AVERAGING	LOW SELECTING	DIVIDING
RATIO	INTEGRAL	ROOT EXTRACTION	PID	COMPLEX FUNCTION

= 1, 2, 3, etc.
REFER TO NOTE ON SAME SHEET FOR BRIEF DESCRIPTION

PRIMARY ELEMENT SYMBOLS

FLOW	LEVEL	TEMPERATURE
IN-LINE MAGNETIC FLOW METER	ULTRASONIC LEVEL SENSOR	THERMOWELL
INSERTION MAGNETIC FLOW METER	NON-CONTACT RADAR LEVEL SENSOR	
SONIC FLOW METER	GUIDED WAVE RADAR LEVEL SENSOR	
THERMAL MASS FLOW METER	SUBMERSIBLE LEVEL SENSOR	
PADDLE WHEEL FLOW METER	CAPACITANCE LEVEL SENSOR	
VORTEX FLOW METER	FLOAT LEVEL SWITCH	
POSITIVE DISPLACEMENT FLOW METER		
TURBINE OR PROPELLER FLOW METER		
VENTURI FLOW METER		
AVERAGING PITOT TUBE		
WEIR		
ORIFICE PLATE		
ROTAMETER WITH INTEGRAL VALVE		
FLOW CONDITIONER		

CONTROL SYSTEM & NETWORK EQUIPMENT SYMBOLS

PLC OR RIO

PLC: PROGRAMMABLE LOGIC CONTROLLER
RIO: REMOTE INPUT / OUTPUT

MES

MANAGED ETHERNET SWITCH

ES

UNMANAGED ETHERNET SWITCH

Media Converter

Operator Workstation (OWS)

Panel Mounted Operator Interface Terminal (OIT)

Fiber Optic Patch Panel (FPP)

INSTRUMENT TAG IDENTIFICATION LETTERS

	FIRST LETTERS		SUCCEEDING LETTERS		
	MEASURED OR INITIATING VARIABLE	VARIABLE MODIFIER	READOUT/PASSIVE FUNCTION	OUTPUT/ ACTIVE FUNCTION	FUNCTION MODIFIER
A	ANALYSIS		ALARM		
B	BURNER, COMBUSTION		USER'S CHOICE	USER'S CHOICE	USER'S CHOICE
C	CONDUCTIVITY			CONTROL	CLOSE
D	DENSITY (MASS) OR SPECIFIC GRAVITY	DIFFERENCE, DIFFERENTIAL			DEVIATION
E	VOLTAGE (EMF)		SENSOR, PRIMARY ELEMENT		
F	FLOW, FLOW RATE	RATIO			
G	USER'S CHOICE		GLASS, GAUGE, VIEWING DEVICE		
H	HAND				HIGH
I	CURRENT		INDICATE		
J	POWER		SCAN		
K	TIME, SCHEDULE	TIME RATE OF CHANGE		CONTROL STATION	
L	LEVEL		LIGHT		LOW
M	MOISTURE OR HUMIDITY	MOMENTARY			MIDDLE, INTERMEDIATE
N	TORQUE		USER'S CHOICE	USER'S CHOICE	USER'S CHOICE
O	USER'S CHOICE		ORIFICE, RESTRICTION		OPEN
P	PRESSURE		POINT (TEST CONNECTION)		
Q	QUANTITY	INTEGRATE, TOTALIZE	INTEGRATE, TOTALIZE		
R	RADIATION		RECORD		RUN
S	SPEED, FREQUENCY	SAFETY		SWITCH	STOP
T	TEMPERATURE			TRANSMIT	
U	MULTIVARIABLE		MULTIFUNCTION	MULTIFUNCTION	
V	VIBRATION, MECHANICAL ANALYSIS			VALVE, DAMPER, LOUVER	
W	WEIGHT, FORCE		WELL PROBE		
X	UNCLASSIFIED	X-AXIS	ACCESSORY DEVICES, UNCLASSIFIED	UNCLASSIFIED	UNCLASSIFIED
Y	EVENT, STATE, PRESENCE	Y-AXIS		AUXILIARY DEVICES	
Z	POSITION, DIMENSION	Z-AXIS, SAFETY INSTRUMENTED SYSTEM		DRIVER, ACTUATOR, UNCLASSIFIED FINAL CONTROL ELEMENT	

PLC INPUT/OUTPUT POINTS

DISCRETE ELECTRICAL INPUT SIGNAL	ANALOG ELECTRICAL INPUT SIGNAL
DISCRETE ELECTRICAL OUTPUT SIGNAL	ANALOG ELECTRICAL OUTPUT SIGNAL
DISCRETE DIGITAL INPUT SIGNAL	ANALOG DIGITAL INPUT SIGNAL
DISCRETE DIGITAL OUTPUT SIGNAL	ANALOG DIGITAL OUTPUT SIGNAL

PANEL MOUNTED DEVICE SYMBOLS

PILOT LIGHT

VENDOR PROVIDED OPERATOR INTERFACE TERMINAL

ELECTRICAL CONTROL INTERLOCK

VARIABLE FREQUENCY DRIVE

COMPLEX INTERLOCK
= 1, 2, 3, etc.
REFER TO NOTE ON SAME SHEET FOR BRIEF DESCRIPTION

HORN/STROBE

FULL VOLTAGE NON-REVERSING MOTOR STARTER

FULL VOLTAGE REVERSING MOTOR STARTER

ANALYTICAL ABBREVIATIONS

ANALYSIS INSTRUMENT (ZZZ) (ZZZ) =

ALK - ALKALINITY	PH - HYDROGEN ION CONCENTRATION
CH4 - METHANE	PO4 - PHOSPHATE
CL2 - CHLORINE	SO2 - SULFUR DIOXIDE
COMB - COMBUSTIBLE GAS	TH - TOTAL HARDNESS
CON - CONDUCTIVITY	TSS - TOTAL SUSPENDED SOLIDS
DO - DISSOLVED OXYGEN	TURB - TURBIDITY
IR - INFRARED	UV - ULTRAVIOLET
H2S - HYDROGEN SULFIDE	
LEL - LOWER EXPLOSIVE LIMIT	
METH - METHANOL VAPOR	
NH3 - AMMONIA	
NO3 - NITRATE	
O2 - OXYGEN	
O3 - OZONE	
ORP - OXIDATION/REDUCTION POTENTIAL	
PETRO - PETROLEUM VAPOR	

GMP SUBMITTAL. DO NOT USE FOR CONSTRUCTION.

File: C:\USERS\BHARRIS\APPDATA\LOCAL\AUTOCAD\PLANT_3D\COLORLABORATION\CACHE\B0711-001_WILSON WTP REHAB FILTER BASIN\PIID DWG\11001_1119\2024_10_20 AM BY: BHARRIS

REV	ISSUED FOR	DATE	BY

PROJECT MANAGER:	T. HUDSON
DESIGNED BY:	S. ZOMORODI
DRAWN BY:	B. HARRIS
PROJECT ENGINEER:	S. ZOMORODI
IF THIS BAR DOES NOT MEASURE 1" THEN DRAWING IS NOT TO FULL SCALE	
0	1/2" 1"



Hazen

HAZEN AND SAWYER
8150 N. CENTRAL EXPRESSWAY
TOWER II - SUITE 700
DALLAS, TEXAS 75206

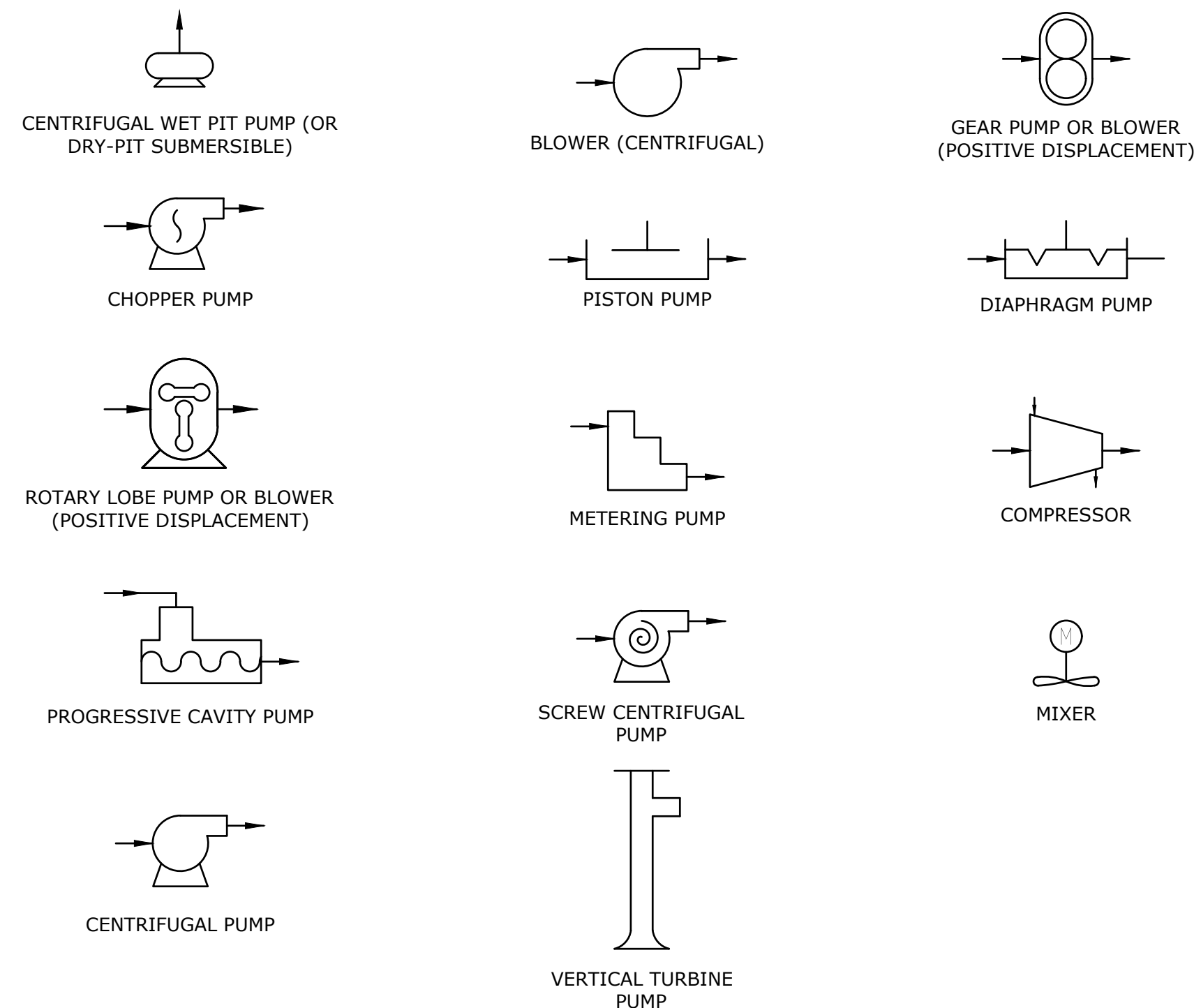
CENTRAL ARKANSAS WATER
LITTLE ROCK, ARKANSAS

JACK H. WILSON WTP RENEWAL AND RESILIENCY PROJECT

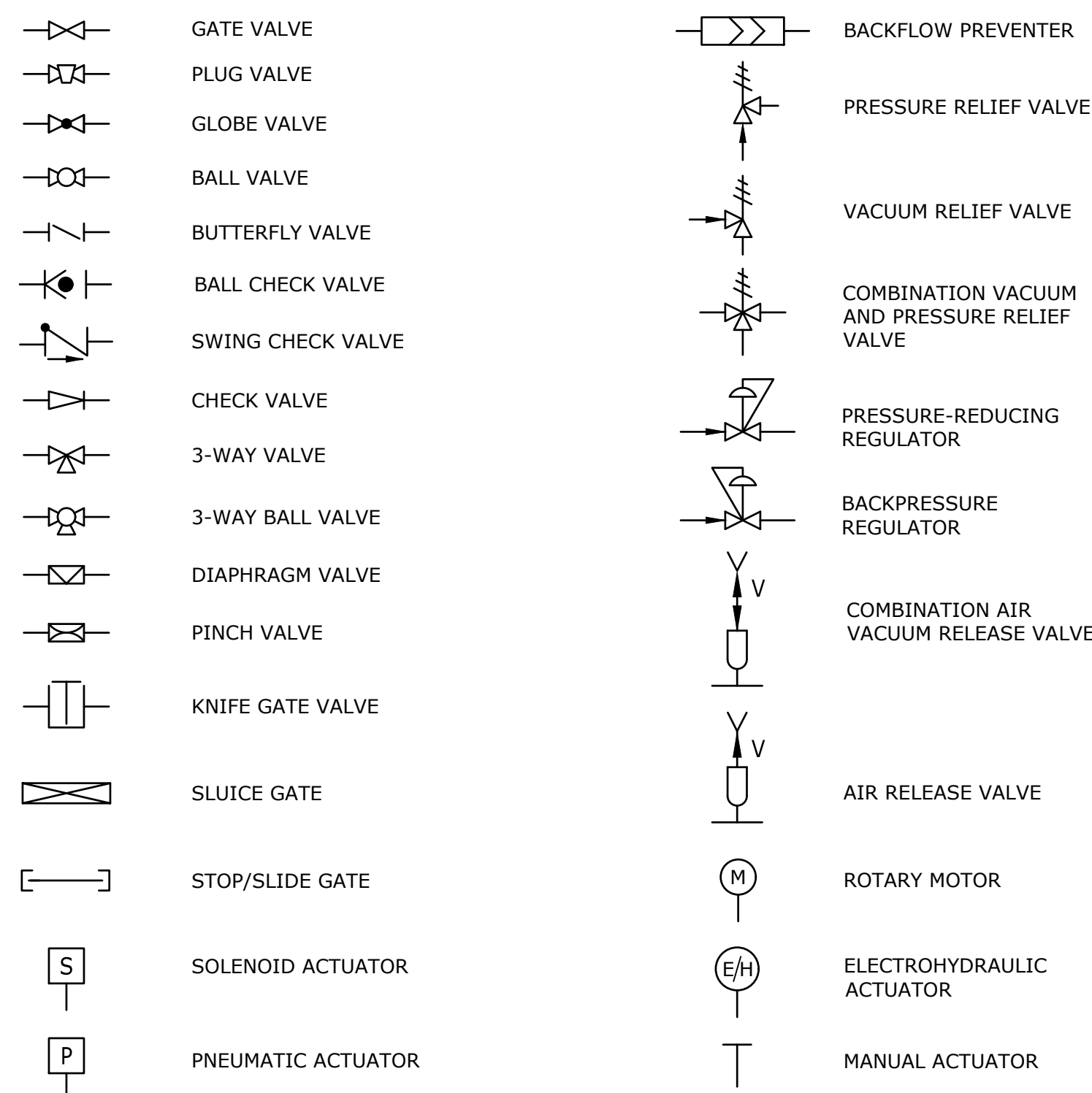
INSTRUMENTATION
SYMBOLS AND LEGENDS SHEET 1

DATE:	NOVEMBER 2024
HAZEN NO.:	60711-003
CONTRACT NO.:	1
DRAWING NUMBER:	11001

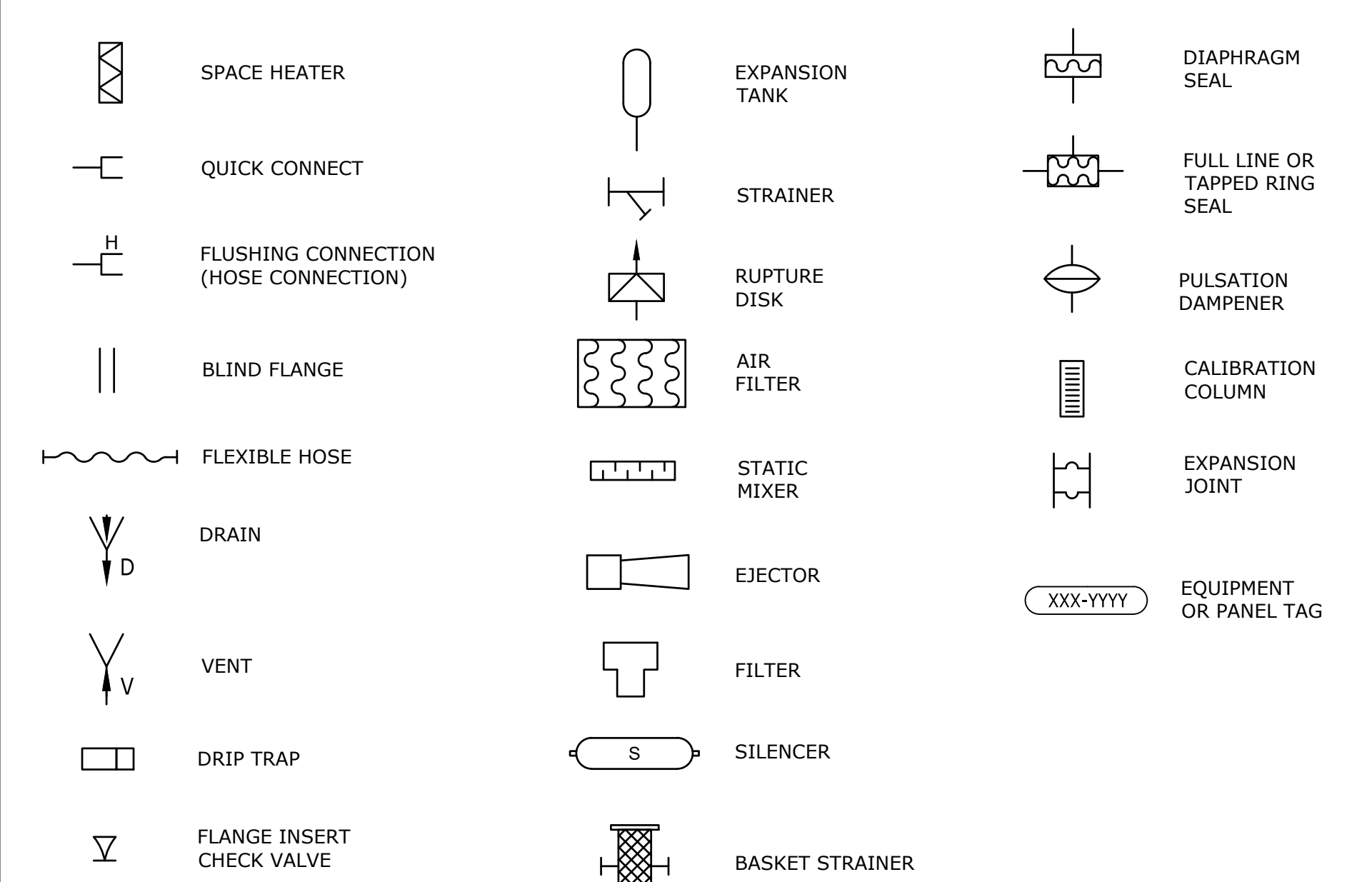
PROCESS EQUIPMENT SYMBOLS



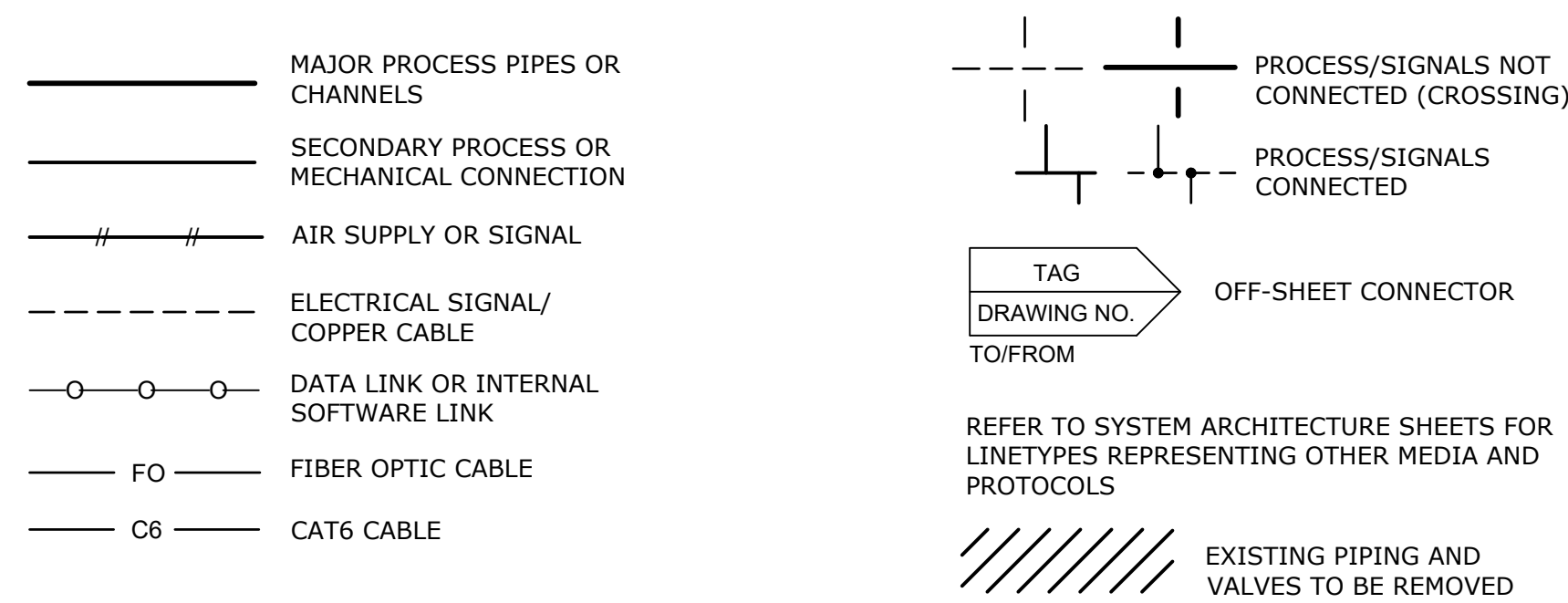
VALVE, GATE, AND ACTUATOR SYMBOLS



MISCELLANEOUS SYMBOLS



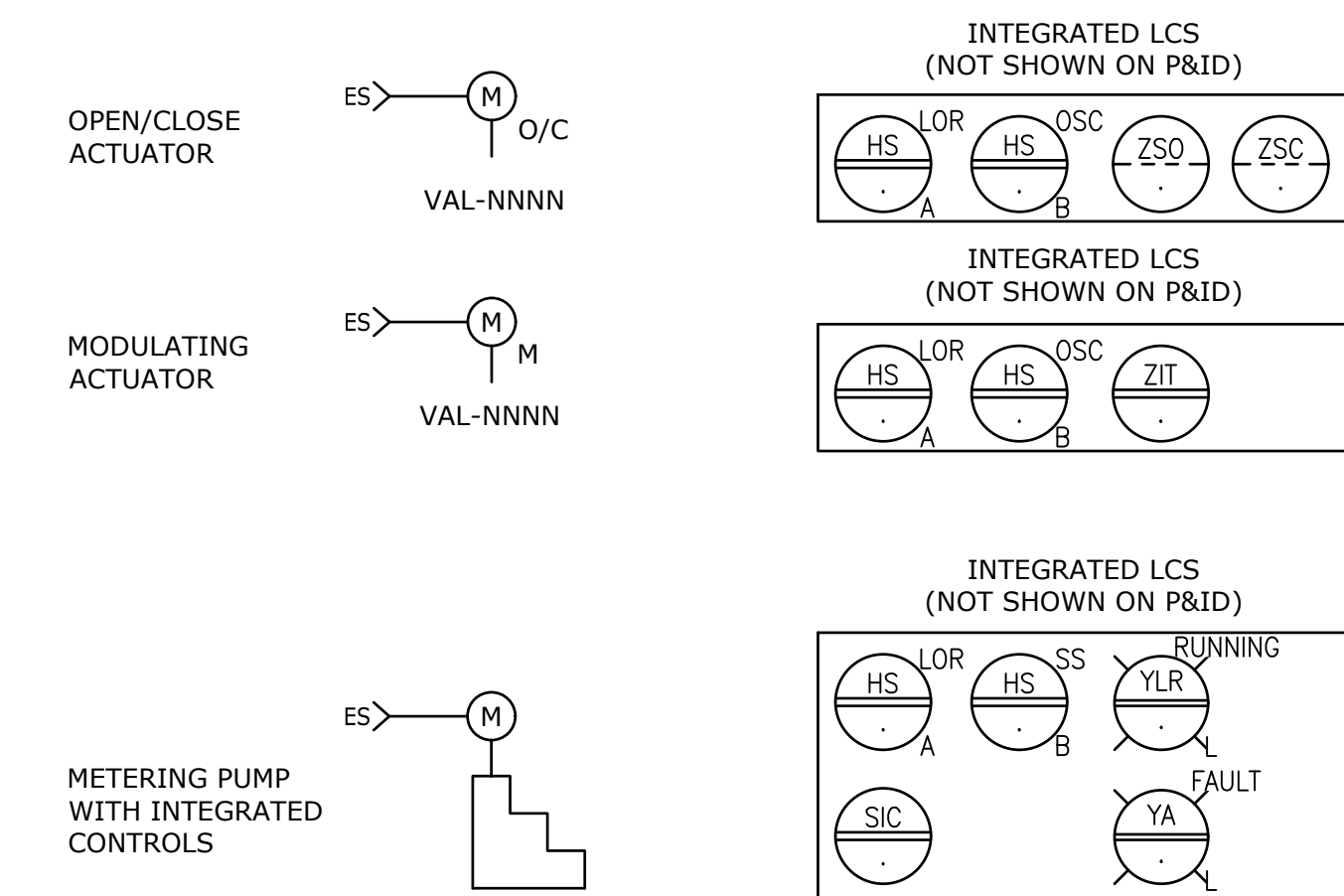
LINE SYMBOLS AND LEGEND



GENERAL NOTES

- SYMBOLS AND NOMENCLATURE ARE BASED ON ANSI/ISA-5.1-2009.
- REFER TO LEGEND SHEETS OF OTHER DISCIPLINES FOR ADDITIONAL SYMBOLS AND ABBREVIATIONS.
- REFER TO SPECIFICATIONS FOR ADDITIONAL DETAIL ON CONTROL SYSTEM FUNCTIONAL REQUIREMENTS.
- INSTRUMENTS AND PANELS DENOTED WITH AN ASTERISK (*) ARE PROVIDED BY THE EQUIPMENT MANUFACTURER. REFER TO THE DRAWINGS AND SPECIFICATIONS OF OTHER DISCIPLINES FOR ADDITIONAL DETAIL.
- POWER SUPPLIES FOR LOOPS OR SYSTEMS SHALL BE FURNISHED BY THE INSTRUMENTATION SUPPLIER TO MEET THE PARTICULAR CHARACTERISTICS (E.G., VOLTAGE AND CURRENT REQUIREMENTS) OF COMPONENTS IN EACH LOOP OR SYSTEM.
- FLUSHING CONNECTIONS ARE NOT SHOWN ON THE P&IDS, SEE MECHANICAL DRAWINGS FOR THE LOCATIONS AND DETAILS.

EQUIPMENT WITH INTEGRATED CONTROLS

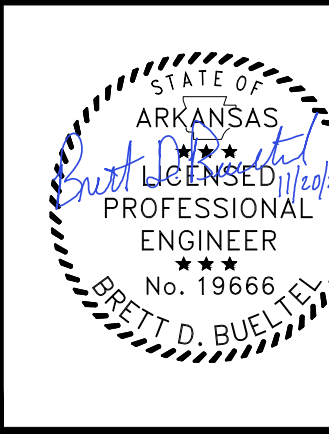


GMP SUBMITTAL. DO NOT USE FOR CONSTRUCTION.

File: C:\USERS\BHARRIS\APPDATA\LOCAL\AUTOCAD PLANT 3D\COLORLABORATION\CACHE\B0711-001_WILSON WTP REHAB FILTER BASIN\PIID DIV\011002 Saved by: BHARRIS Save date: 10/10/2024 7:15 PM PLOT DATE: 11/19/2024 10:20 AM BY: BHARRIS

REV	ISSUED FOR	DATE	BY

PROJECT MANAGER:	T. HUDSON
DESIGNED BY:	S. ZOMORODI
DRAWN BY:	B. HARRIS
PROJECT ENGINEER:	S. ZOMORODI
IF THIS BAR DOES NOT MEASURE 1" THEN DRAWING IS NOT TO FULL SCALE	0 1/2" 1"



Hazen
HAZEN AND SAWYER
8150 N. CENTRAL EXPRESSWAY
TOWER II - SUITE 700
DALLAS, TEXAS 75206

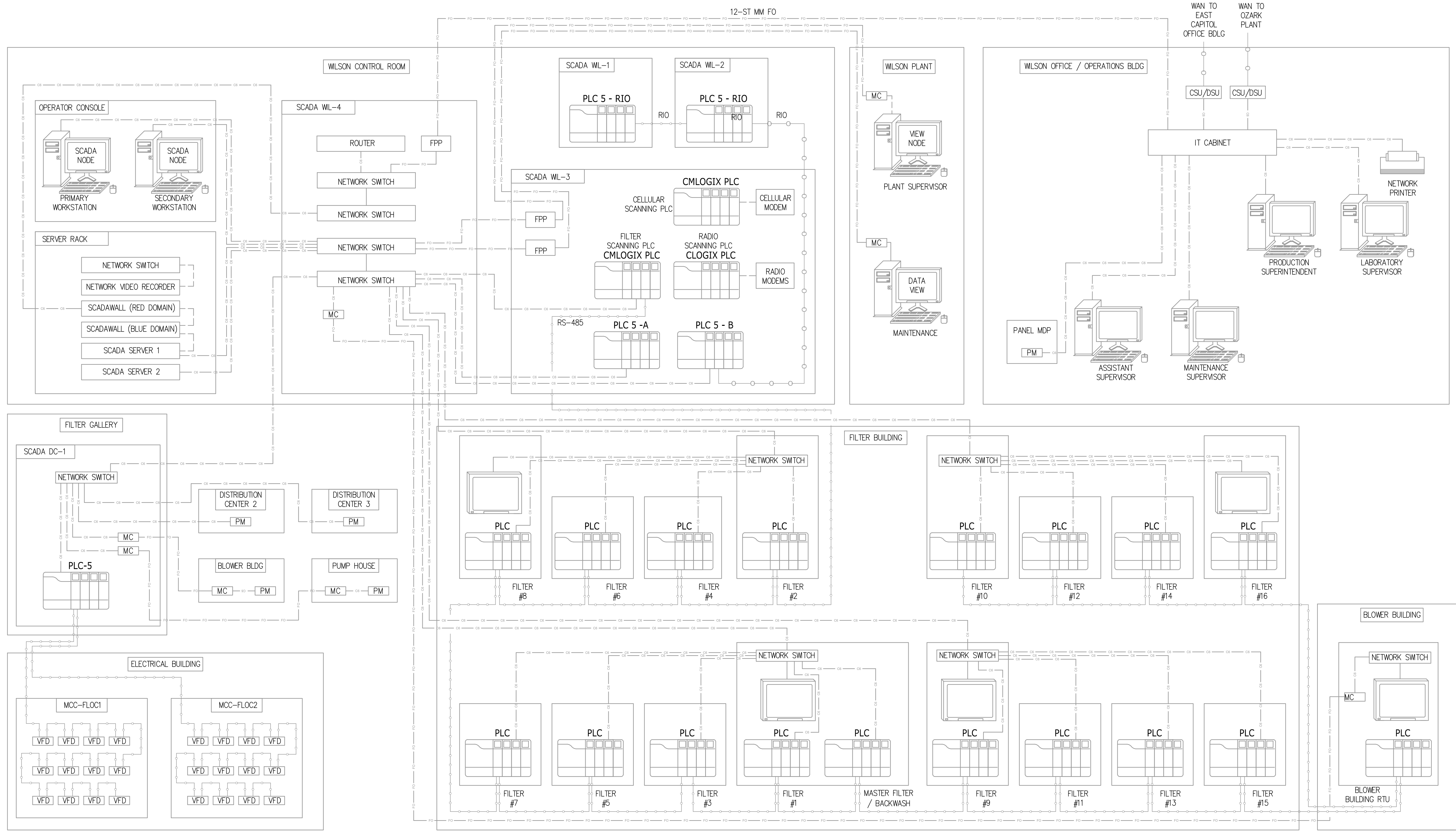
CENTRAL ARKANSAS WATER
LITTLE ROCK, ARKANSAS

JACK H. WILSON WTP RENEWAL AND
RESILIENCY PROJECT

INSTRUMENTATION
SYMBOLS AND LEGENDS SHEET 2

DATE:	NOVEMBER 2024
HAZEN NO.:	60711-003
CONTRACT NO.:	1
DRAWING NUMBER:	11002

File: C:\USERS\BHARRIS\APPDATA\LOCAL\AUTODESK\AUTOCAD PLANT 3D\COLLABORATION\CACHE\B0711-001_WILSON WTP REHAB FILTER BASIN\FID DIV\G11003 Saved by: BHARRIS Save date: 10/10/2024 7:18 PM
 PLOT DATE: 11/19/2024 10:20 AM BY: BHARRIS



GMP SUBMITTAL. DO NOT USE FOR CONSTRUCTION.

REV	ISSUED FOR	DATE	BY

PROJECT MANAGER:	T. HUDSON
DESIGNED BY:	S. ZOMORODI
DRAWN BY:	B. HARRIS
PROJECT ENGINEER:	S. ZOMORODI
IF THIS BAR DOES NOT MEASURE 1" THEN DRAWING IS NOT TO FULL SCALE	
0	1/2" 1"



Hazen
 HAZEN AND SAWYER
 8150 N. CENTRAL EXPRESSWAY
 TOWER II - SUITE 700
 DALLAS, TEXAS 75206

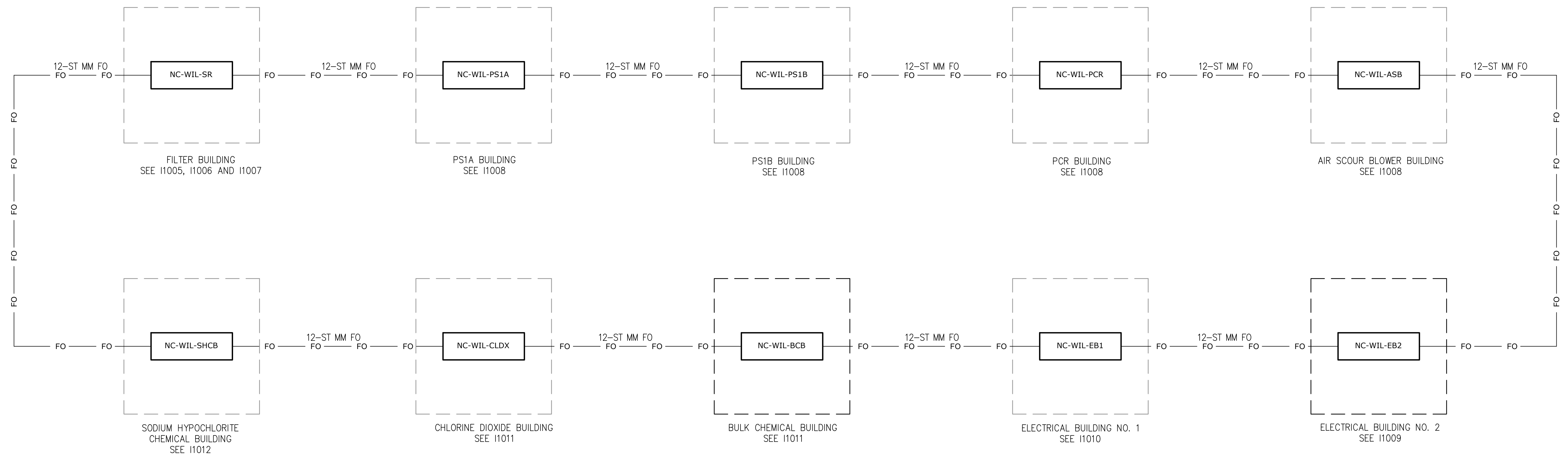
CENTRAL ARKANSAS WATER
 LITTLE ROCK, ARKANSAS
 JACK H. WILSON WTP RENEWAL AND
 RESILIENCY PROJECT

INSTRUMENTATION
 EXISTING SCADA SYSTEM PARTIAL NETWORK
 BLOCK DIAGRAM

DATE:	NOVEMBER 2024
HAZEN NO.:	60711-003
CONTRACT NO.:	1
DRAWING NUMBER:	I1003

FIBER OPTIC TABLE		
APPLICATION	STRAND NO	FIELD COLOR
S - SCADA	1-2	BRN/GRN
B - BUSINESS	3-4	WHT/GRY
C - CCTV/ ACCESS CONTROL	5-6	ORG/BLU
P - POWER MONITORING	7-8	BLK/RED
SPARE	9-10	VIO/YEL
SPARE	11-12	AQU/PNK

LEGEND	
-----	ETHERNET/COPPER CAT 6
FO	FIBER OPTIC BACKBONE CABLE
FO-FO	FIBER OPTIC JUMPER CABLE
---	PANEL/CABINET LIMITS
---	BUILDING/FACILITY LIMITS
ESC	CCTV ETHERNET SWITCH
ESB	BUSINESS ETHERNET SWITCH
ESF	FIELD ETHERNET SWITCH
ESS	SCADA ETHERNET SWITCH
FPP	FIBER PATCH PANEL
MM	MULTIMODE FIBER OPTIC CABLE
NC	NETWORK CABINET
OIT	OPERATOR INTERFACE TERMINAL
OWS	OPERATOR WORKSTATION
RIO	REMOTE INPUT/OUTPUT
ST	FIBER STRAND
VCP	MULTIMODE FIBER CABLE

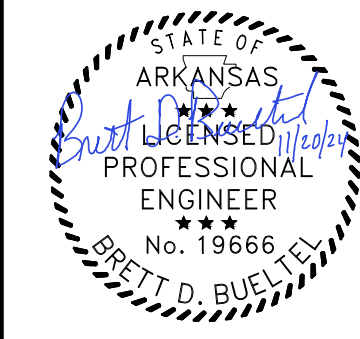


File: C:\USERS\BHARRIS\APPDATA\LOCAL\AUTODESK\AUTOCAD PLANT 3D\COLORLABORATION\CACHE\B0711-001_WILSON WTP REHAB FILTER BASIN\FID DIV\G11004 Saved by BHARRIS Save date: 10/10/2024 7:26 PM
 PLOT DATE: 11/19/2024 10:21 AM BY: BHARRIS

GMP SUBMITTAL. DO NOT USE FOR CONSTRUCTION.

REV	ISSUED FOR	DATE	BY

PROJECT MANAGER:	T. HUDSON
DESIGNED BY:	S. ZOMORODI
DRAWN BY:	B. HARRIS
PROJECT ENGINEER:	S. ZOMORODI
IF THIS BAR DOES NOT MEASURE 1" THEN DRAWING IS NOT TO FULL SCALE	
0	1/2" 1"

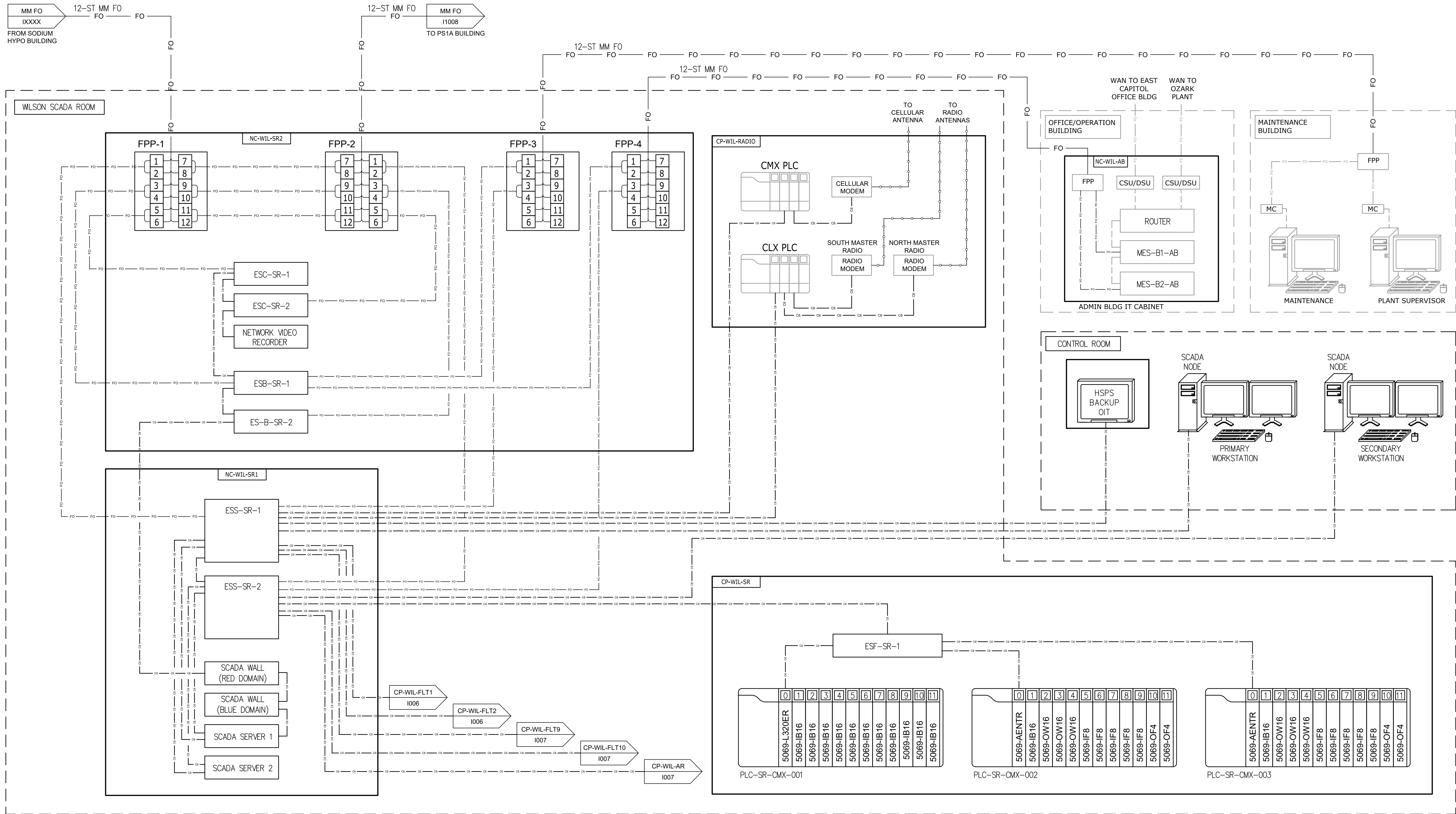


Hazen
 HAZEN AND SAWYER
 8150 N. CENTRAL EXPRESSWAY
 TOWER II - SUITE 700
 DALLAS, TEXAS 75206

CENTRAL ARKANSAS WATER
 LITTLE ROCK, ARKANSAS
 JACK H. WILSON WTP RENEWAL AND
 RESILIENCY PROJECT

INSTRUMENTATION
 PLANT FIBER OPTIC RING BLOCK
 DIAGRAM

DATE:	NOVEMBER 2024
HAZEN NO.:	60711-003
CONTRACT NO.:	1
DRAWING NUMBER:	I1004



File: C:\USERS\BHARRIS\APPDATA\LOCAL\AUTODESK\AUTOCAD PLANT 3D\COLLABORATION\CACHE\60711-001_WILSON WTP REHAB FILTER BASIN\FID DIV\011005 Saved by: SZOMORODI Save date: 11/18/2024 9:50 AM
 PLOT DATE: 11/19/2024 10:21 AM BY: BHARRIS

GMP SUBMITTAL. DO NOT USE FOR CONSTRUCTION.

REV	ISSUED FOR	DATE	BY

PROJECT MANAGER:	T. HUDSON
DESIGNED BY:	S. ZOMORODI
DRAWN BY:	B. HARRIS
PROJECT ENGINEER:	S. ZOMORODI
IF THIS BAR DOES NOT MEASURE 1" THEN DRAWING IS NOT TO FULL SCALE	
0	1/2" 1"



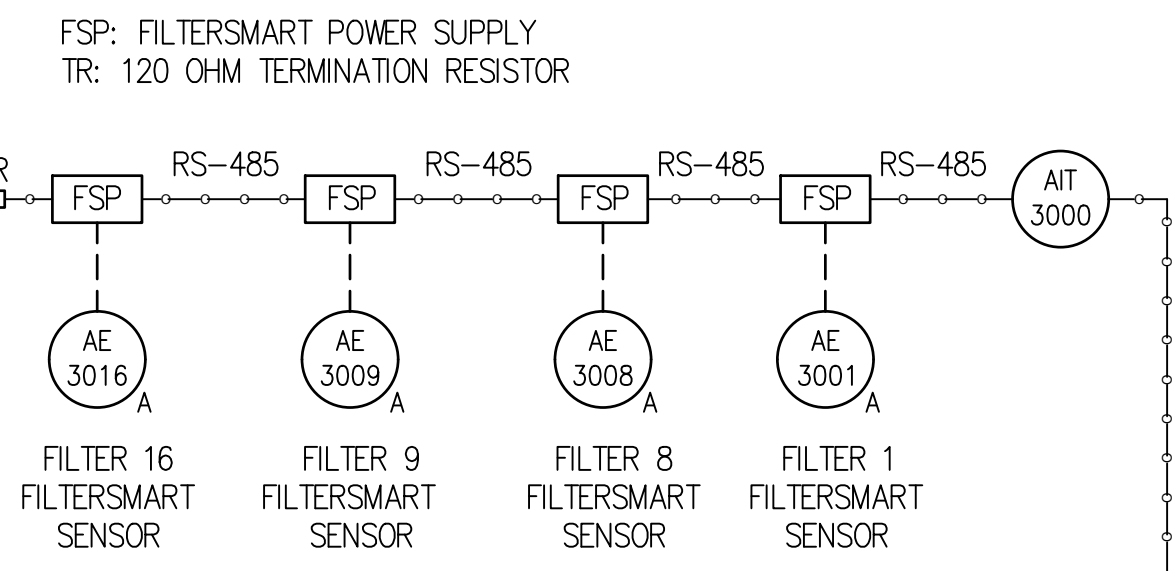
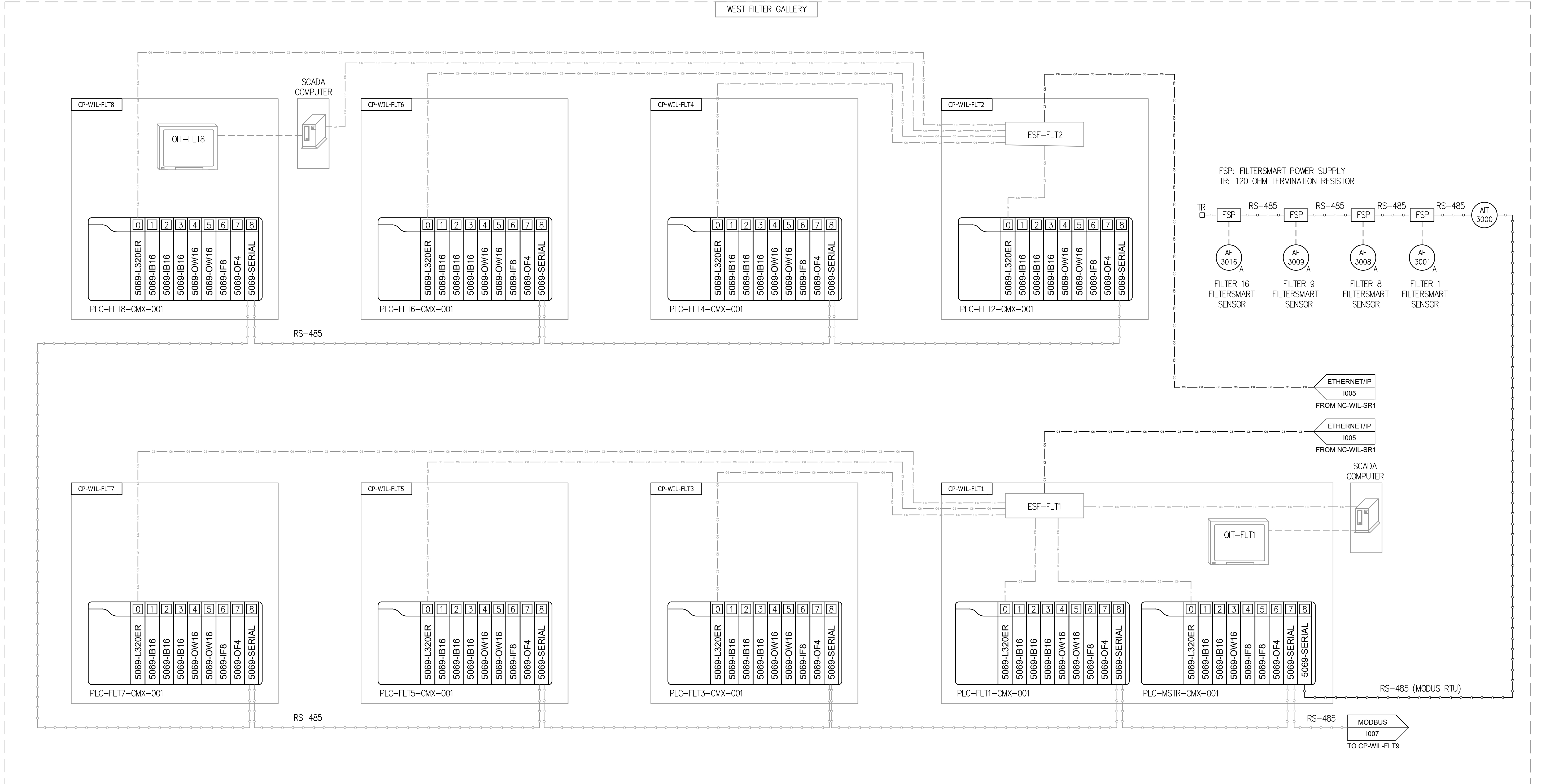
Hazen
 HAZEN AND SAWYER
 8150 N. CENTRAL EXPRESSWAY
 TOWER II - SUITE 700
 DALLAS, TEXAS 75206

CENTRAL ARKANSAS WATER
 LITTLE ROCK, ARKANSAS
 JACK H. WILSON WTP RENEWAL AND
 RESILIENCY PROJECT

INSTRUMENTATION
 CONTROL SYSTEM BLOCK DIAGRAM
 SHEET 1

DATE:	NOVEMBER 2024
HAZEN NO.:	60711-003
CONTRACT NO.:	1
DRAWING NUMBER:	I1005

WEST FILTER GALLERY

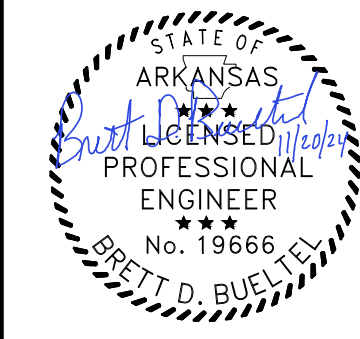


File: C:\USERS\BHARRIS\APPDATA\LOCAL\AUTODESK\AUTOCAD PLANT 3D\COLLABORATION\CACHE\B0711-001_WILSON WTP REHAB FILTER GALLERY BASIN\PIID DIV\B11006 Saved by BHARRIS Save date: 11/15/2024 3:32 PM
 PLOT DATE: 11/19/2024 10:21 AM BY: BHARRIS

GMP SUBMITTAL. DO NOT USE FOR CONSTRUCTION.

REV	ISSUED FOR	DATE	BY

PROJECT MANAGER:	T. HUDSON
DESIGNED BY:	S. ZOMORODI
DRAWN BY:	B. HARRIS
PROJECT ENGINEER:	S. ZOMORODI
IF THIS BAR DOES NOT MEASURE 1" THEN DRAWING IS NOT TO FULL SCALE	



Hazen

HAZEN AND SAWYER
8150 N. CENTRAL EXPRESSWAY
TOWER II - SUITE 700
DALLAS, TEXAS 75206

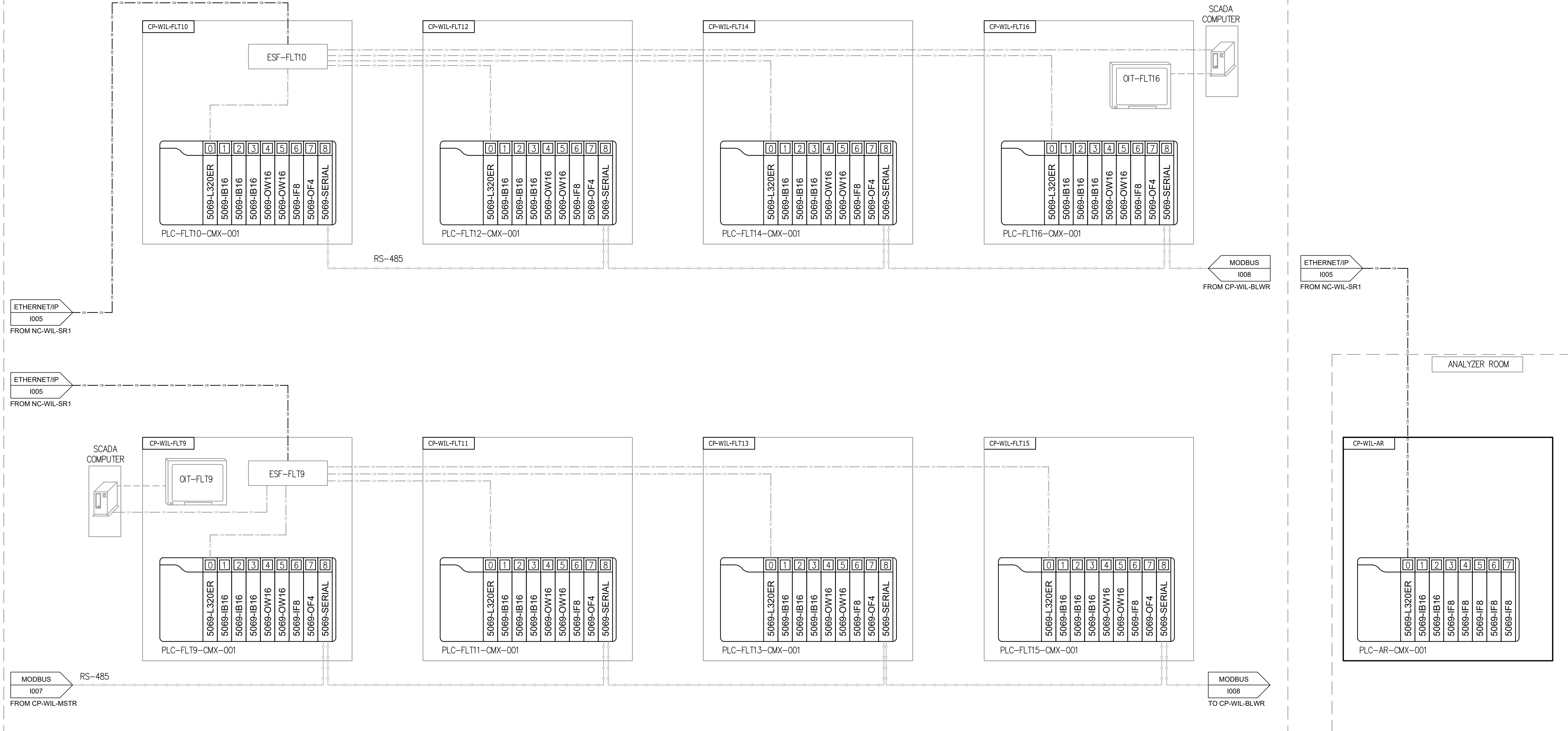
CENTRAL ARKANSAS WATER
LITTLE ROCK, ARKANSAS

JACK H. WILSON WTP RENEWAL AND
RESILIENCY PROJECT

INSTRUMENTATION
CONTROL SYSTEM BLOCK DIAGRAM
SHEET 2

DATE:	NOVEMBER 2024
HAZEN NO.:	60711-003
CONTRACT NO.:	1
DRAWING NUMBER:	11006

EAST FILTER GALLERY



File: C:\USERS\BHARRIS\APPDATA\LOCAL\AUTODESK\AUTOCAD PLANT 3D\COLLABORATION\CACHE\B0711-001_WILSON WTP REHAB FILTER BASIN\PID DWG\I1107 Saved by: SZOMORODI Save date: 10/10/2024 10:16 PM PLOT DATE: 11/19/2024 10:21 AM BY: BHARRIS

GMP SUBMITTAL. DO NOT USE FOR CONSTRUCTION.

REV	ISSUED FOR	DATE	BY

PROJECT MANAGER:	T. HUDSON
DESIGNED BY:	S. ZOMORODI
DRAWN BY:	B. HARRIS
PROJECT ENGINEER:	S. ZOMORODI
IF THIS BAR DOES NOT MEASURE 1" THEN DRAWING IS NOT TO FULL SCALE	



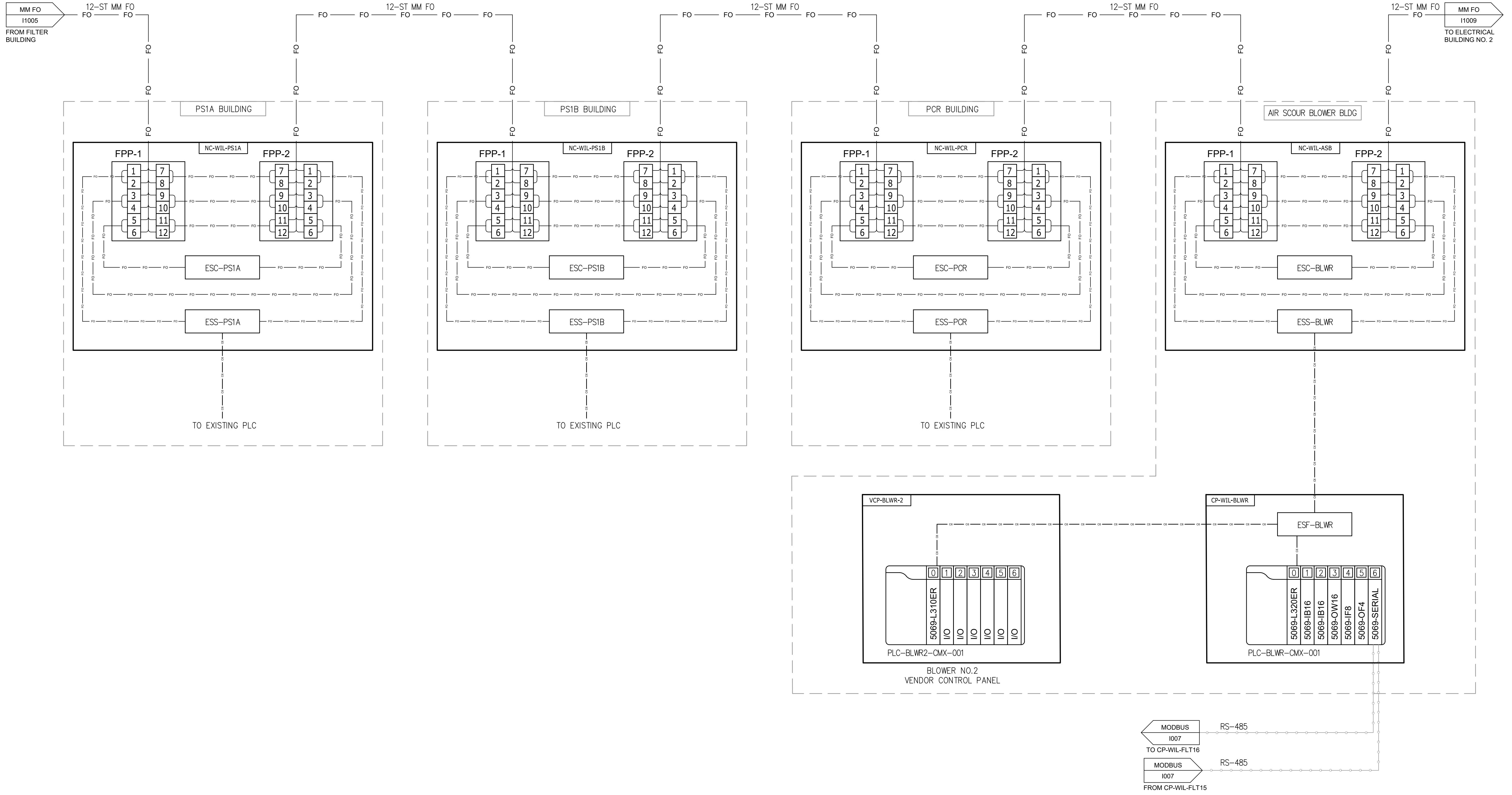
Hazen
 HAZEN AND SAWYER
 8150 N. CENTRAL EXPRESSWAY
 TOWER II - SUITE 700
 DALLAS, TEXAS 75206

CENTRAL ARKANSAS WATER
 LITTLE ROCK, ARKANSAS

JACK H. WILSON WTP RENEWAL AND
 RESILIENCY PROJECT

INSTRUMENTATION
 CONTROL SYSTEM BLOCK DIAGRAM
 SHEET 3

DATE:	NOVEMBER 2024
HAZEN NO.:	60711-003
CONTRACT NO.:	1
DRAWING NUMBER:	I1007



File: C:\USERS\BHARRIS\APPDATA\LOCAL\AUTODESK\AUTOCAD PLANT 3D\COLLABORATION\CACHE\B0711001_WILSON WTP REHAB FILTER BASIN\PID DIV\B0711008 Saved by: SZOMORODI Save date: 10/02/2024 10:16 PM PLOT DATE: 11/19/2024 10:21 AM BY: BHARRIS

GMP SUBMITTAL. DO NOT USE FOR CONSTRUCTION.

REV	ISSUED FOR	DATE	BY

PROJECT MANAGER:	T. HUDSON
DESIGNED BY:	S. ZOMORODI
DRAWN BY:	B. HARRIS
PROJECT ENGINEER:	S. ZOMORODI
IF THIS BAR DOES NOT MEASURE 1" THEN DRAWING IS NOT TO FULL SCALE	

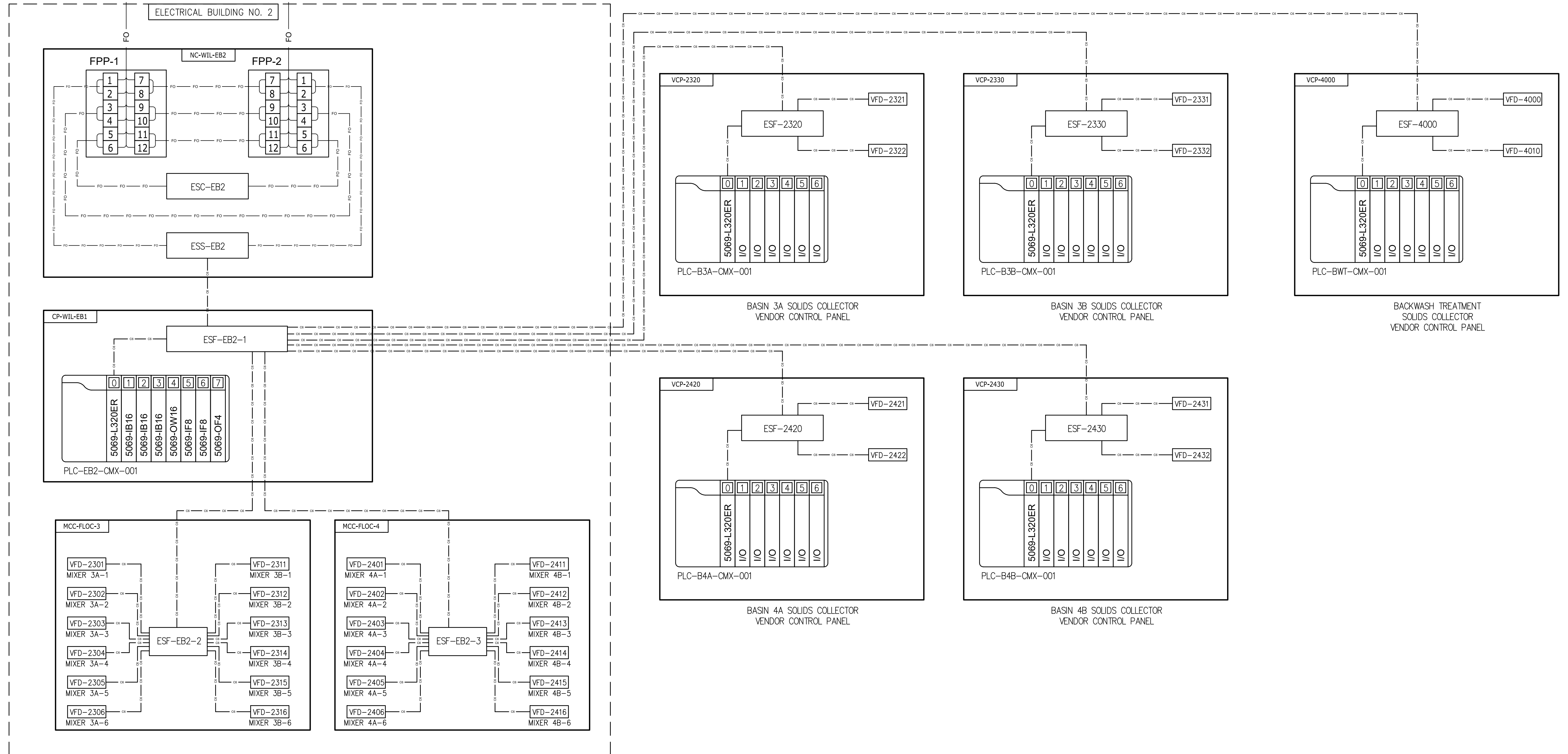


Hazen
 HAZEN AND SAWYER
 8150 N. CENTRAL EXPRESSWAY
 TOWER II - SUITE 700
 DALLAS, TEXAS 75206

CENTRAL ARKANSAS WATER
 LITTLE ROCK, ARKANSAS
 JACK H. WILSON WTP RENEWAL AND
 RESILIENCY PROJECT

INSTRUMENTATION
 CONTROL SYSTEM BLOCK DIAGRAM
 SHEET 4

DATE:	NOVEMBER 2024
HAZEN NO.:	60711-003
CONTRACT NO.:	1
DRAWING NUMBER:	11008



GMP SUBMITTAL. DO NOT USE FOR CONSTRUCTION.

File: C:\USERS\BHARRIS\APPDATA\LOCAL\AUTODESK\AUTOCAD PLANT 3D\COLLABORATION\CACHE\B0711-001_WILSON WTP REHAB FILTER BASIN\FID DIV\G11008 Saved by: SZOMORODI Save date: 10/10/2024 10:17 PM
 PLOT DATE: 11/19/2024 10:21 AM BY: BHARRIS

REV	ISSUED FOR	DATE	BY

PROJECT MANAGER:	T. HUDSON
DESIGNED BY:	S. ZOMORODI
DRAWN BY:	B. HARRIS
PROJECT ENGINEER:	S. ZOMORODI
IF THIS BAR DOES NOT MEASURE 1" THEN DRAWING IS NOT TO FULL SCALE	
0	1/2" 1"

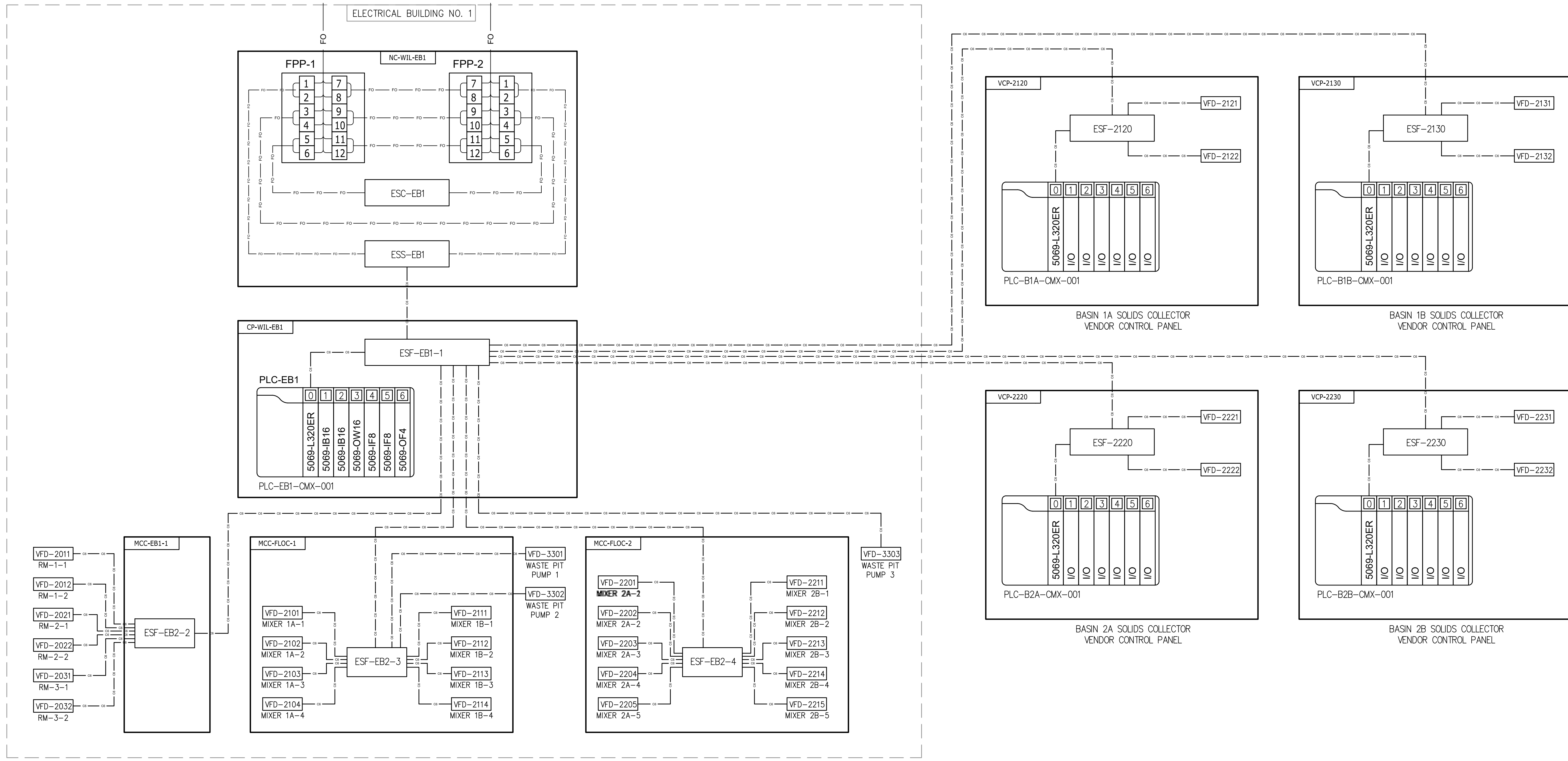


Hazen
 HAZEN AND SAWYER
 8150 N. CENTRAL EXPRESSWAY
 TOWER II - SUITE 700
 DALLAS, TEXAS 75206

CENTRAL ARKANSAS WATER
 LITTLE ROCK, ARKANSAS
 JACK H. WILSON WTP RENEWAL AND
 RESILIENCY PROJECT

INSTRUMENTATION
 CONTROL SYSTEM BLOCK DIAGRAM
 SHEET 5

DATE:	NOVEMBER 2024
HAZEN NO.:	60711-003
CONTRACT NO.:	1
DRAWING NUMBER:	I1009



File: C:\USERS\BHARRIS\APPDATA\LOCAL\AUTODESK\AUTOCAD PLANT 3D\COLLABORATION\CACHE\B0711-001_WILSON WTP REHAB FILTER BASIN\PIID DWG\B1010 Saved by: SZOMORODI Save date: 10/10/2024 10:17 PM
 PLOT DATE: 11/19/2024 10:21 AM BY: BHARRIS

GMP SUBMITTAL. DO NOT USE FOR CONSTRUCTION.

REV	ISSUED FOR	DATE	BY

PROJECT MANAGER:	T. HUDSON
DESIGNED BY:	S. ZOMORODI
DRAWN BY:	B. HARRIS
PROJECT ENGINEER:	S. ZOMORODI
IF THIS BAR DOES NOT MEASURE 1" THEN DRAWING IS NOT TO FULL SCALE	
0	1/2" 1"



Hazen

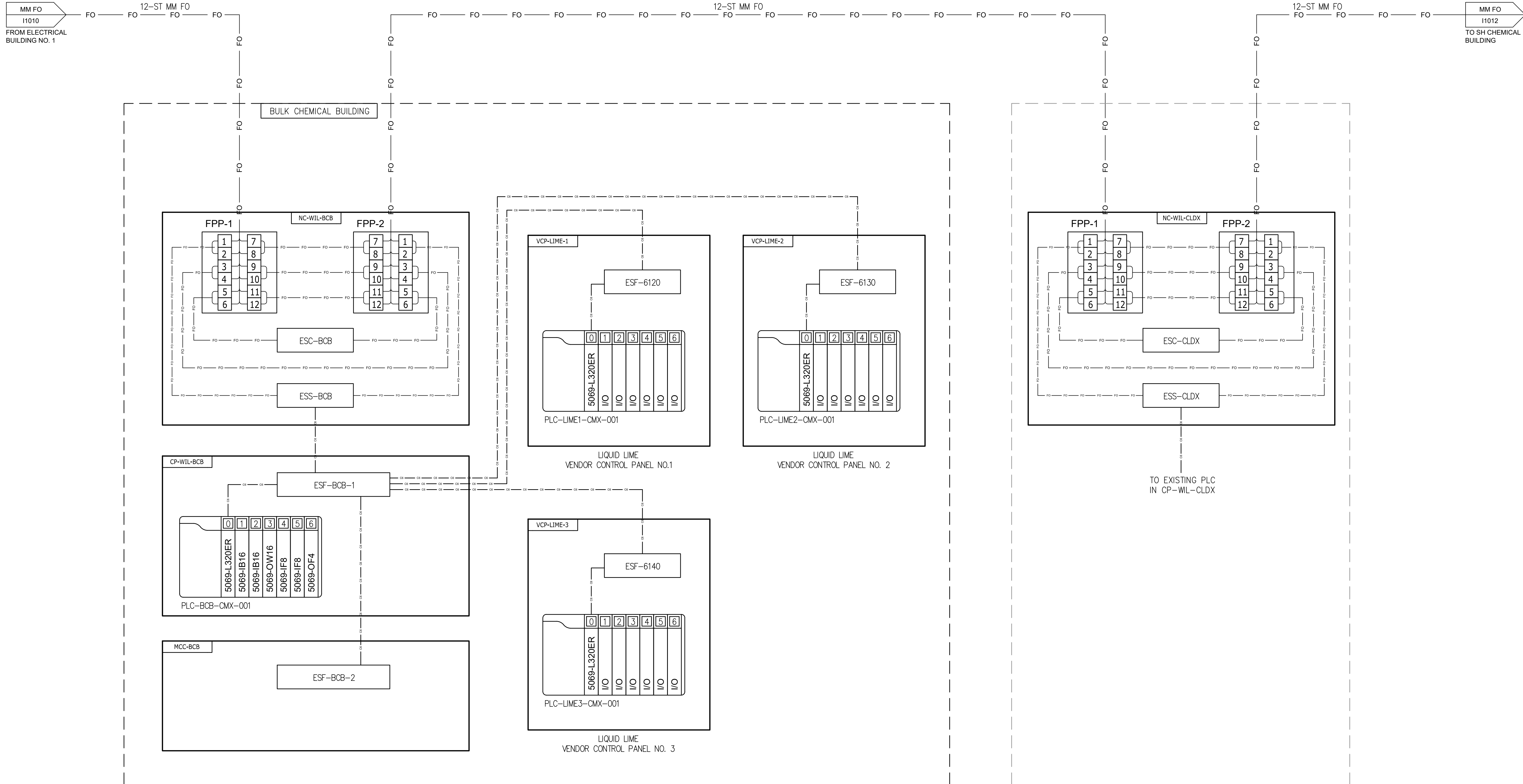
HAZEN AND SAWYER
 8150 N. CENTRAL EXPRESSWAY
 TOWER II - SUITE 700
 DALLAS, TEXAS 75206

CENTRAL ARKANSAS WATER
 LITTLE ROCK, ARKANSAS

JACK H. WILSON WTP RENEWAL AND
 RESILIENCY PROJECT

INSTRUMENTATION
 CONTROL SYSTEM BLOCK DIAGRAM
 SHEET 6

DATE:	NOVEMBER 2024
HAZEN NO.:	60711-003
CONTRACT NO.:	1
DRAWING NUMBER:	11010



File: C:\USERS\BHARRIS\APPDATA\LOCAL\AUTODESK\AUTOCAD PLANT 3D\COLORLABORATION\CACHE\B0711-001_WILSON WTP REHAB FILTER BASIN\FID DWG\B0711011 Saved by: SZOMORODI Save date: 11/18/2024 9:55 AM
PLOT DATE: 11/19/2024 10:21 AM BY: BHARRIS

GMP SUBMITTAL. DO NOT USE FOR CONSTRUCTION.

REV	ISSUED FOR	DATE	BY

PROJECT MANAGER:	T. HUDSON
DESIGNED BY:	S. ZOMORODI
DRAWN BY:	B. HARRIS
PROJECT ENGINEER:	S. ZOMORODI
IF THIS BAR DOES NOT MEASURE 1" THEN DRAWING IS NOT TO FULL SCALE	
0 1/2" 1"	



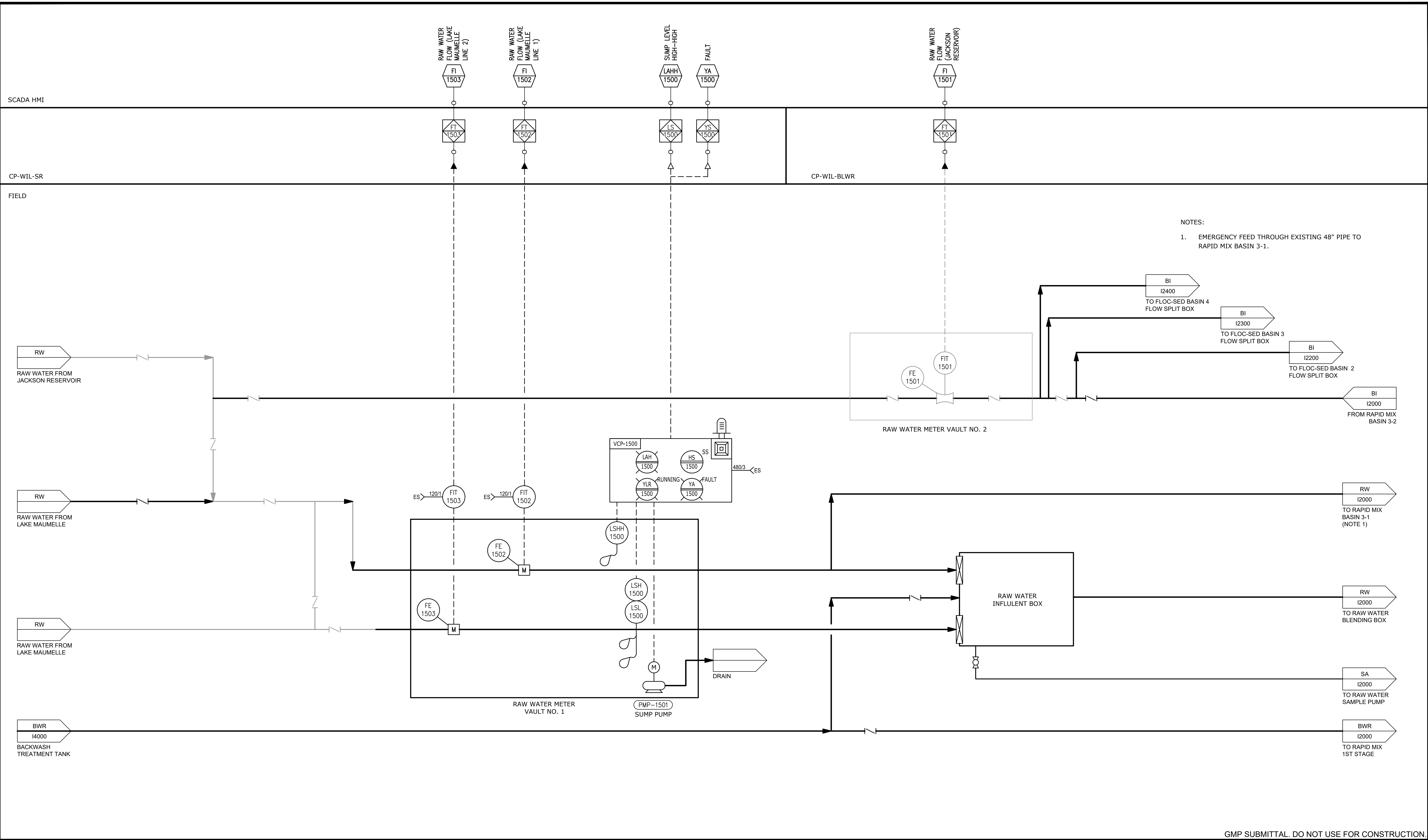
Hazen
HAZEN AND SAWYER
8150 N. CENTRAL EXPRESSWAY
TOWER II - SUITE 700
DALLAS, TEXAS 75206

CENTRAL ARKANSAS WATER
LITTLE ROCK, ARKANSAS

JACK H. WILSON WTP RENEWAL AND
RESILIENCY PROJECT

INSTRUMENTATION
CONTROL SYSTEM BLOCK DIAGRAM
SHEET 7

DATE:	NOVEMBER 2024
HAZEN NO.:	60711-003
CONTRACT NO.:	1
DRAWING NUMBER:	11011



- NOTES:
- EMERGENCY FEED THROUGH EXISTING 48" PIPE TO RAPID MIX BASIN 3-1.

File: C:\USERS\BHARRIS\APPDATA\LOCAL\AUTODESK\AUTOCAD PLANT 3D\COLLABORATION\CACHE\B0711-001_WILSON WTP REHAB FILTER BASIN.PID DWG(11500) Saved by: BHARRIS Save date: 11/18/2024 3:20 PM
 PLOT DATE: 11/19/2024 10:21 AM BY: BHARRIS

GMP SUBMITTAL. DO NOT USE FOR CONSTRUCTION.

REV	ISSUED FOR	DATE	BY

PROJECT MANAGER:	T. HUDSON
DESIGNED BY:	S. ZOMORODI
DRAWN BY:	B. HARRIS
PROJECT ENGINEER:	S. ZOMORODI
IF THIS BAR DOES NOT MEASURE 1" THEN DRAWING IS NOT TO FULL SCALE	
0	1/2" 1"

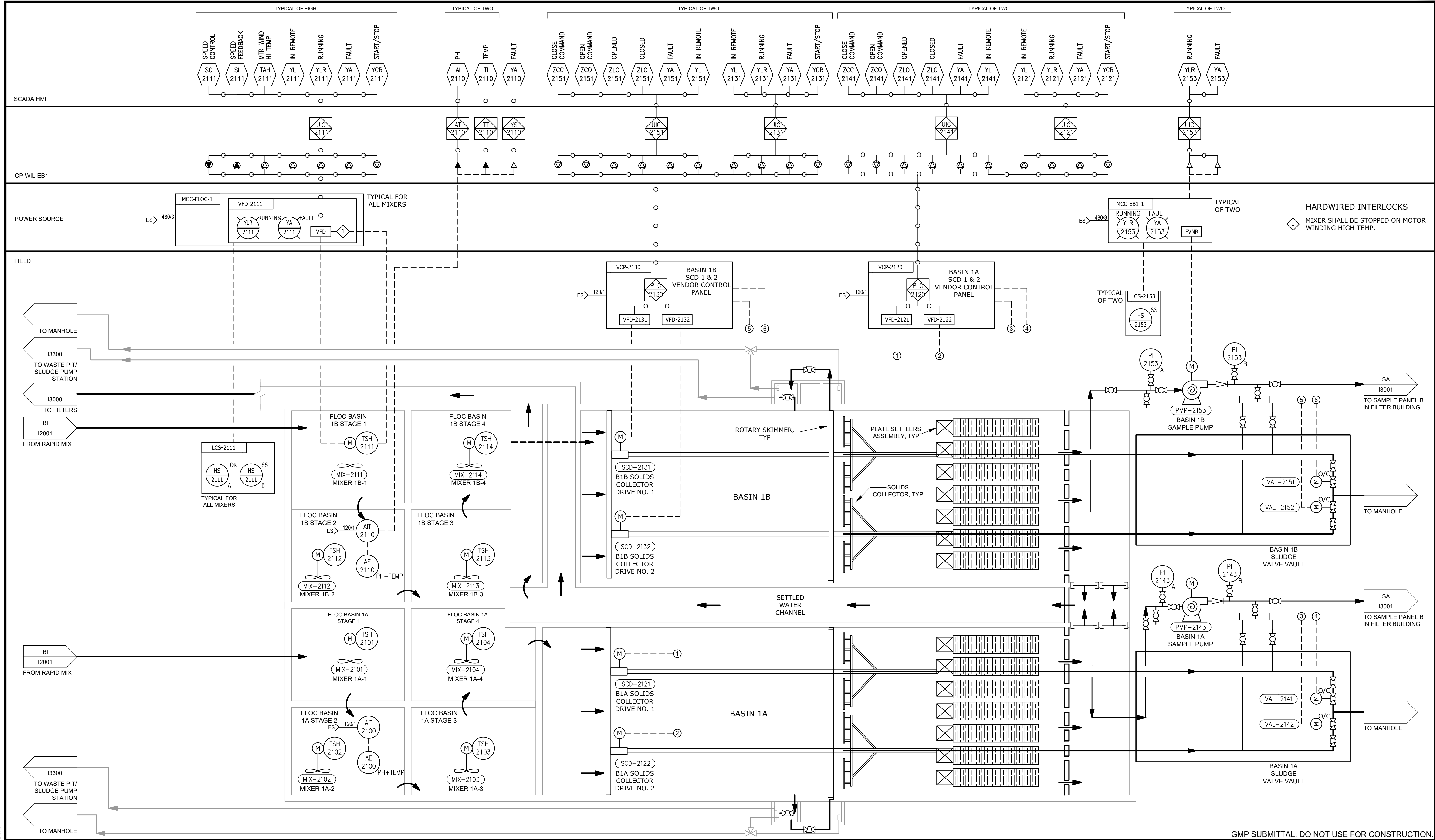


Hazen
 HAZEN AND SAWYER
 8150 N. CENTRAL EXPRESSWAY
 TOWER II - SUITE 700
 DALLAS, TEXAS 75206

CENTRAL ARKANSAS WATER
 LITTLE ROCK, ARKANSAS
 JACK H. WILSON WTP RENEWAL AND
 RESILIENCY PROJECT

INSTRUMENTATION
 RAW WATER P&ID

DATE:	NOVEMBER 2024
HAZEN NO.:	60711-003
CONTRACT NO.:	1
DRAWING NUMBER:	11500



GMP SUBMITTAL. DO NOT USE FOR CONSTRUCTION.

File: C:\USERS\BHARRIS\APPDATA\LOCAL\AUTOCAD PLANT 3D\COLLABORATION\CACHE\B0711-001_WILSON WTP REHAB FILTER BASIN.PID DIVISION: 2100 Saved by: BHARRIS Save date: 11/12/2024 9:36 AM
 PLOT DATE: 11/19/2024 10:22 AM BY: BHARRIS

REV	ISSUED FOR	DATE	BY

PROJECT MANAGER:	T. HUDSON
DESIGNED BY:	S. ZOMORODI
DRAWN BY:	B. HARRIS
PROJECT ENGINEER:	S. ZOMORODI
IF THIS BAR DOES NOT MEASURE 1" THEN DRAWING IS NOT TO FULL SCALE	

BRETT D. BUELL
LICENSED PROFESSIONAL ENGINEER
No. 19666

TYLER HUDSON
LICENSED PROFESSIONAL ENGINEER
No. 21489

Hazen

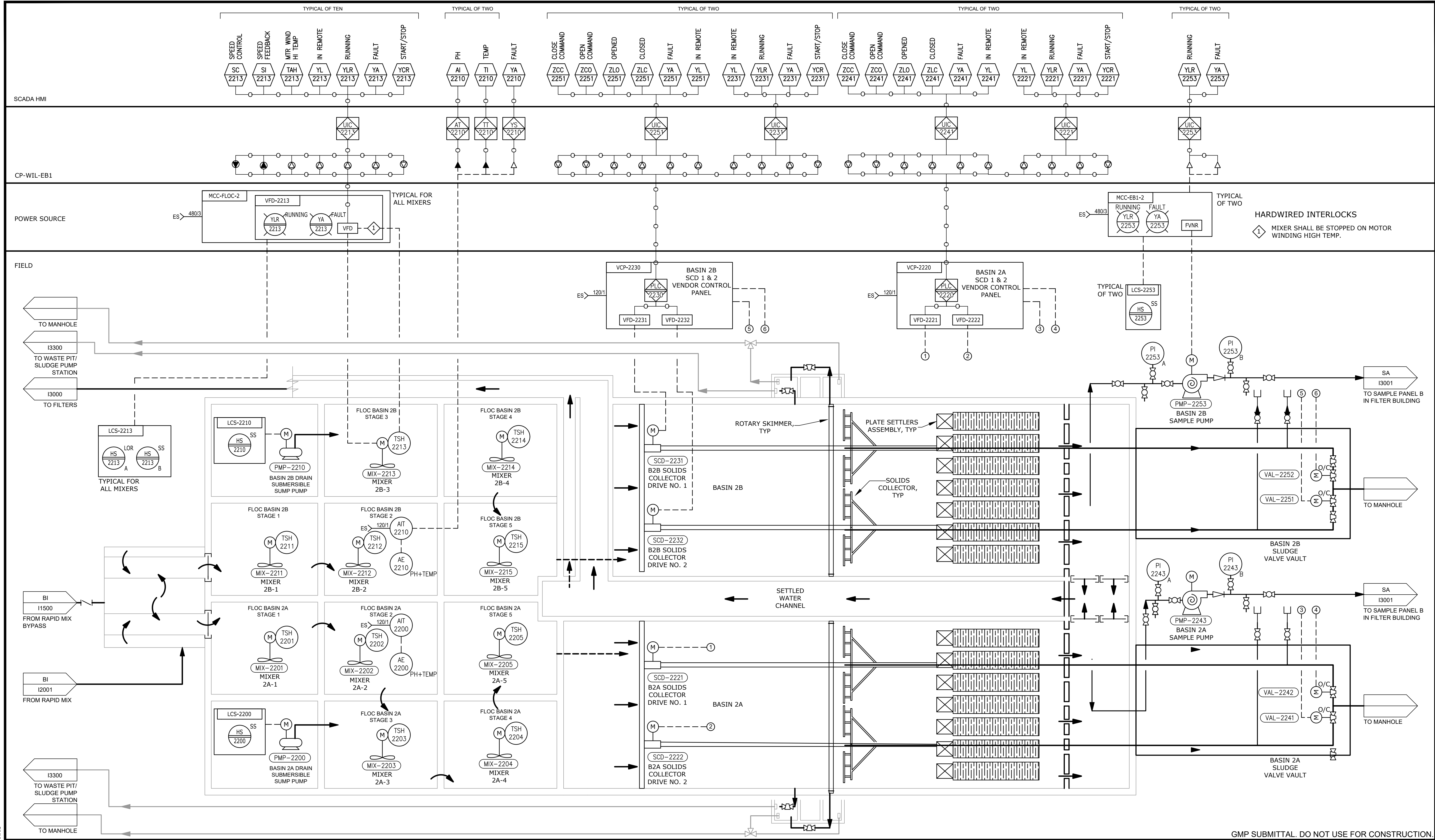
HAZEN AND SAWYER
8150 N. CENTRAL EXPRESSWAY
TOWER II - SUITE 700
DALLAS, TEXAS 75206

CENTRAL ARKANSAS WATER
LITTLE ROCK, ARKANSAS

JACK H. WILSON WTP RENEWAL AND
RESILIENCY PROJECT

INSTRUMENTATION
FLOCCULATION AND SEDIMENTATION
BASIN NO. 1 P&ID

DATE:	NOVEMBER 2024
HAZEN NO.:	60711-003
CONTRACT NO.:	1
DRAWING NUMBER:	I2100

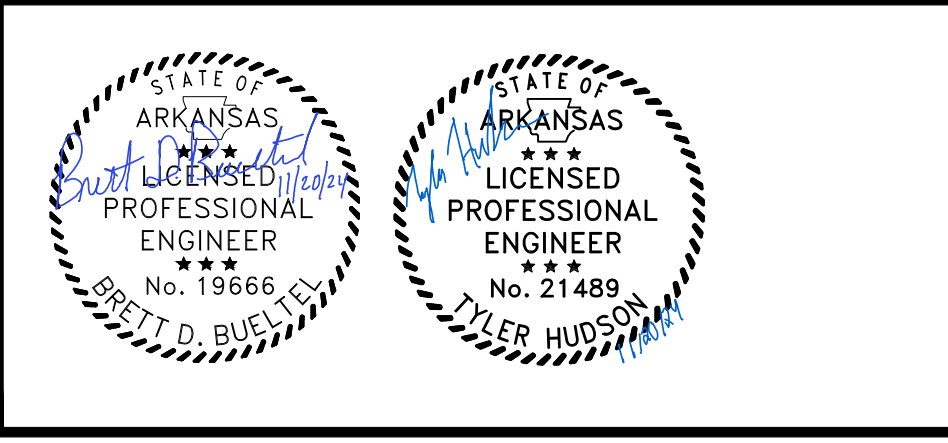


GMP SUBMITTAL. DO NOT USE FOR CONSTRUCTION.

File: C:\USERS\BHARRIS\APPDATA\LOCAL\AUTOCAD\PLANT 3D\COLLABORATION\CACHE\B0711-001_WILSON WTP REHAB FILTER BASIN\PID DIV\G02200 Saved by: BHARRIS Save date: 11/06/2024 2:13 PM
 PLOT DATE: 11/19/2024 10:22 AM By: BHARRIS

REV	ISSUED FOR	DATE	BY

PROJECT MANAGER:	T. HUDSON
DESIGNED BY:	S. ZOMORODI
DRAWN BY:	B. HARRIS
PROJECT ENGINEER:	S. ZOMORODI
IF THIS BAR DOES NOT MEASURE 1" THEN DRAWING IS NOT TO FULL SCALE	
0	1/2" 1"

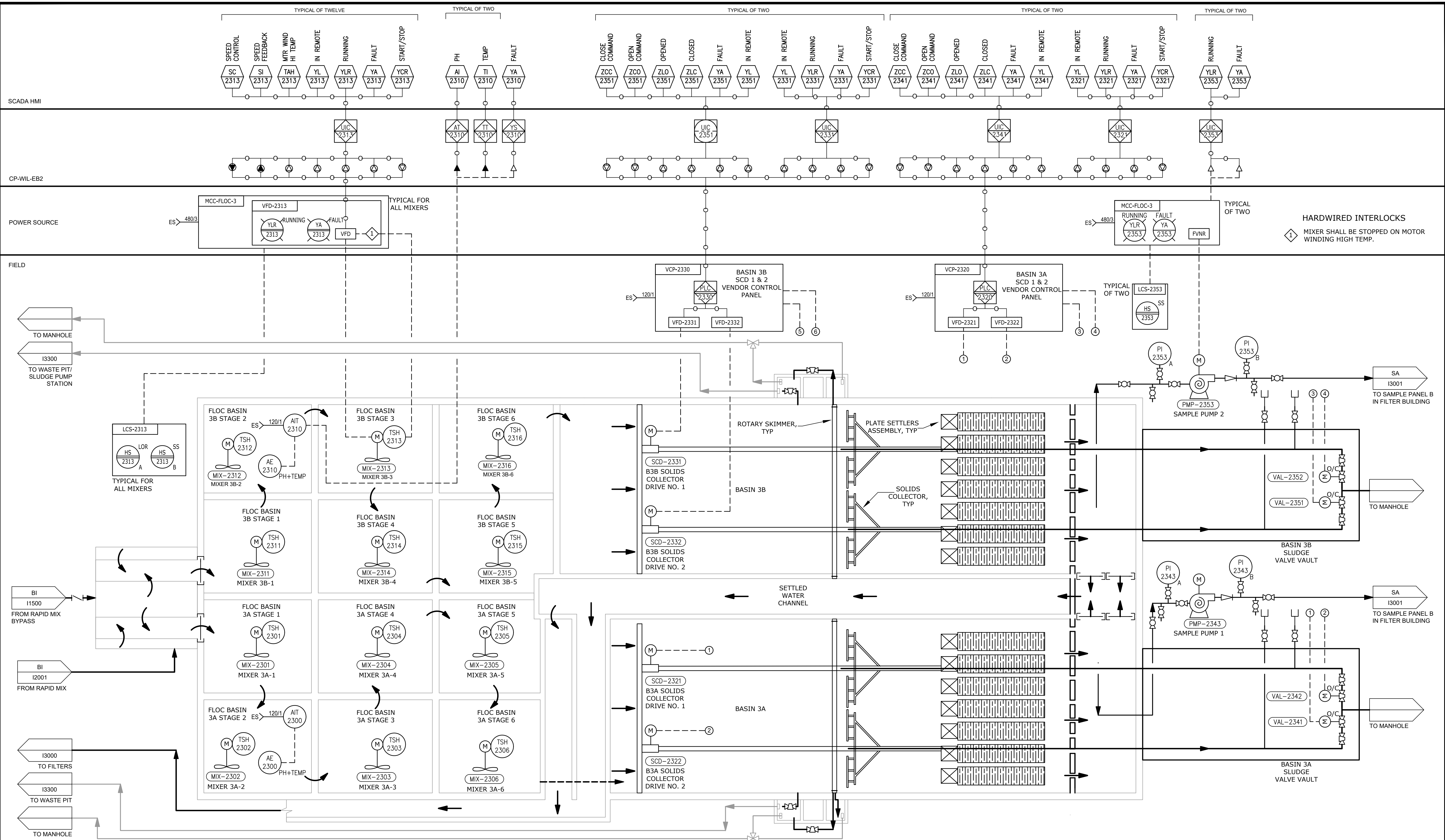


Hazen
 HAZEN AND SAWYER
 8150 N. CENTRAL EXPRESSWAY
 TOWER II - SUITE 700
 DALLAS, TEXAS 75206

CENTRAL ARKANSAS WATER
 LITTLE ROCK, ARKANSAS
 JACK H. WILSON WTP RENEWAL AND
 RESILIENCY PROJECT

INSTRUMENTATION
 FLOCCULATION AND SEDIMENTATION
 BASIN NO. 2 P&ID

DATE:	NOVEMBER 2024
HAZEN NO.:	60711-003
CONTRACT NO.:	1
DRAWING NUMBER:	12200



GMP SUBMITTAL. DO NOT USE FOR CONSTRUCTION.

REV	ISSUED FOR	DATE	BY

PROJECT MANAGER:	T. HUDSON
DESIGNED BY:	S. ZOMORODI
DRAWN BY:	B. HARRIS
PROJECT ENGINEER:	S. ZOMORODI
IF THIS BAR DOES NOT MEASURE 1" THEN DRAWING IS NOT TO FULL SCALE	0 1/2" 1"



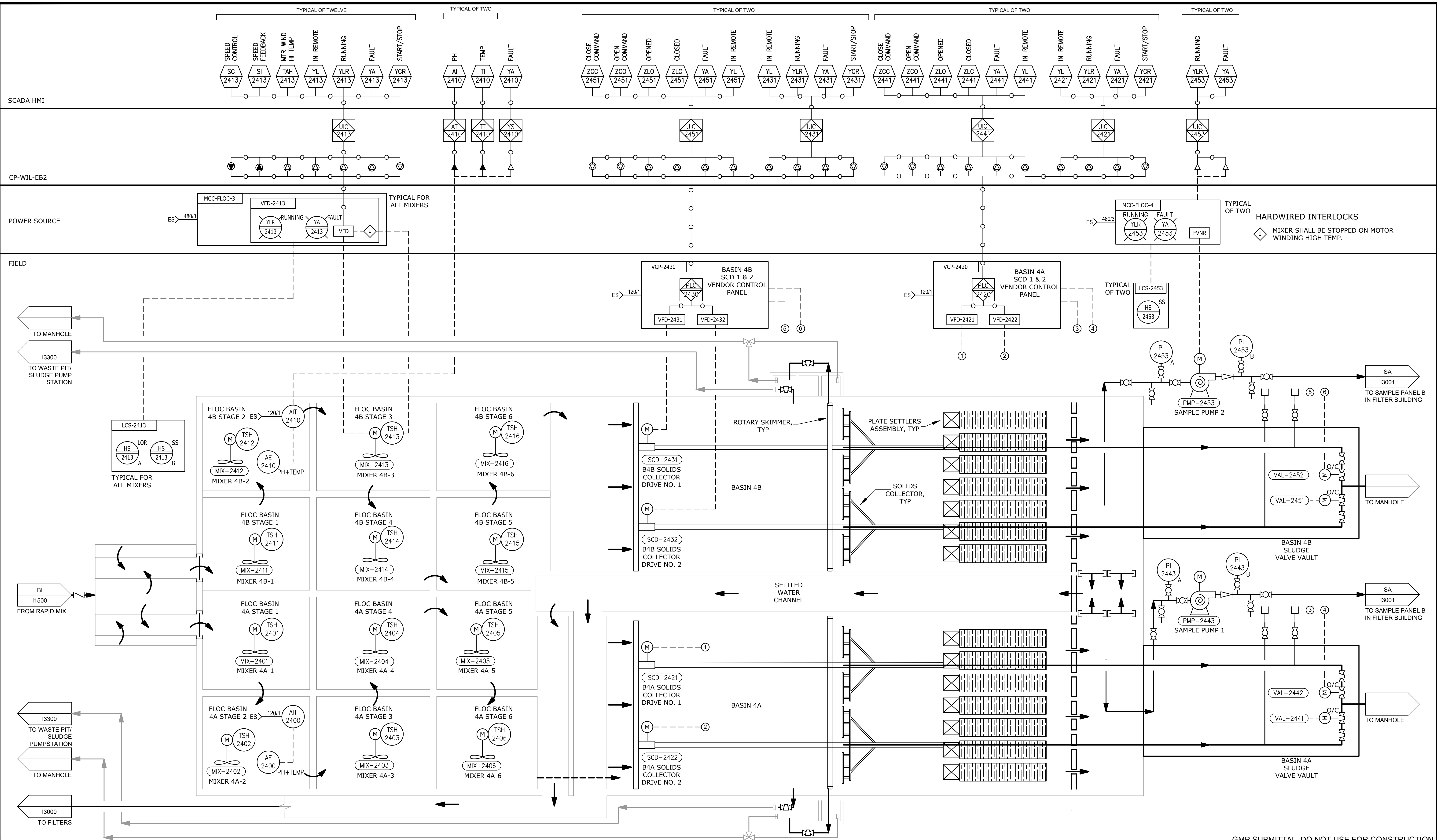
Hazen
 HAZEN AND SAWYER
 8150 N. CENTRAL EXPRESSWAY
 TOWER II - SUITE 700
 DALLAS, TEXAS 75206

CENTRAL ARKANSAS WATER
 LITTLE ROCK, ARKANSAS
 JACK H. WILSON WTP RENEWAL AND
 RESILIENCY PROJECT

INSTRUMENTATION
 FLOCCULATION AND SEDIMENTATION BASIN
 NO. 3 P&ID

DATE:	NOVEMBER 2024
HAZEN NO.:	60711-003
CONTRACT NO.:	1
DRAWING NUMBER:	12300

File: C:\USERS\BHARRIS\APPDATA\LOCAL\AUTOCAD\PLANT_3D\COLLABORATION\AUTOCAD PLANT_3D\COLLABORATION\CACHE\B0711-001_WILSON WTP REHAB FILTER BASIN.PID DIVIC02300 Saved by: BHARRIS Save date: 11/19/2024 9:33 AM
 PLOT DATE: 11/19/2024 10:22 AM By: BHARRIS



GMP SUBMITTAL. DO NOT USE FOR CONSTRUCTION.

REV	ISSUED FOR	DATE	BY

PROJECT MANAGER:	T. HUDSON
DESIGNED BY:	S. ZOMORODI
DRAWN BY:	B. HARRIS
PROJECT ENGINEER:	S. ZOMORODI
IF THIS BAR DOES NOT MEASURE 1" THEN DRAWING IS NOT TO FULL SCALE	0 1/2" 1"

BRETT D. BUELL
LICENSED PROFESSIONAL ENGINEER
No. 19666

TYLER HUDSON
LICENSED PROFESSIONAL ENGINEER
No. 21489

Hazen

HAZEN AND SAWYER
8150 N. CENTRAL EXPRESSWAY
TOWER II - SUITE 700
DALLAS, TEXAS 75206

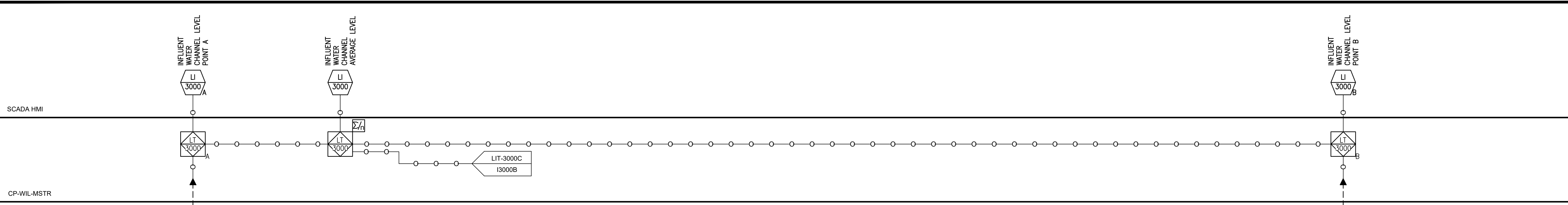
CENTRAL ARKANSAS WATER
LITTLE ROCK, ARKANSAS

JACK H. WILSON WTP RENEWAL AND RESILIENCY PROJECT

INSTRUMENTATION
FLOCCULATION AND SEDIMENTATION BASIN
NO. 4 P&ID

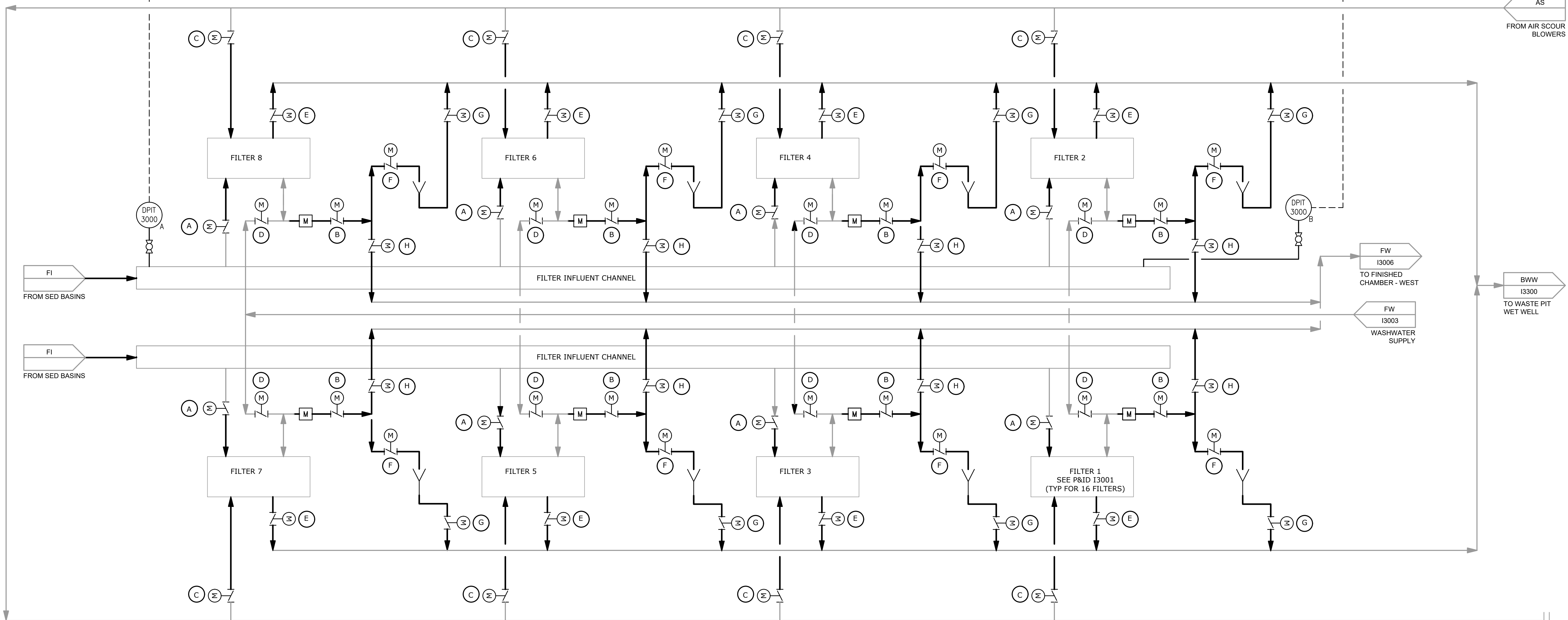
DATE:	NOVEMBER 2024
HAZEN NO.:	60711-003
CONTRACT NO.:	1
DRAWING NUMBER:	12400

File: C:\USERS\BHARRIS\APPDATA\LOCAL\AUTOCAD PLANT_3D\COLLABORATION\CACHE\B0711-001_WILSON WTP REHAB FILTER BASIN.PID DIVIC\2400 Saved by: BHARRIS Save date: 11/19/2024 9:36 AM
 PLOT DATE: 11/19/2024 10:22 AM By: BHARRIS



LETTER	TAG	DESCRIPTION	LETTER	TAG	DESCRIPTION
A	VAL-300XA	FILTER INFLUENT	E	VAL-300XE	BACKWASH WASTE
B	VAL-300XB	FILTERED WATER (RATE OF FLOW)	F	VAL-300XF	FTW 1
C	VAL-300XC	AIR SCOUR	G	VAL-300XG	FTW 2
D	VAL-300XD	BACKWASH	H	VAL-300XH	FILTERED WATER

X=FILTER NO.



File: C:\USERS\BHARRIS\APPDATA\LOCAL\AUTOCAD PLANT 3D\COLLABORATION\CACHE\B0711-001_WILSON WTP REHAB FILTER BASIN.PID DIVISION\I3000A Saved by BHARRIS Save date: 10/11/2024 1:39 PM
 PLOT DATE: 11/19/2024 10:22 AM BY: BHARRIS

GMP SUBMITTAL. DO NOT USE FOR CONSTRUCTION.

REV	ISSUED FOR	DATE	BY

PROJECT MANAGER:	T. HUDSON
DESIGNED BY:	S. ZOMORODI
DRAWN BY:	B. HARRIS
PROJECT ENGINEER:	S. ZOMORODI
IF THIS BAR DOES NOT MEASURE 1" THEN DRAWING IS NOT TO FULL SCALE	

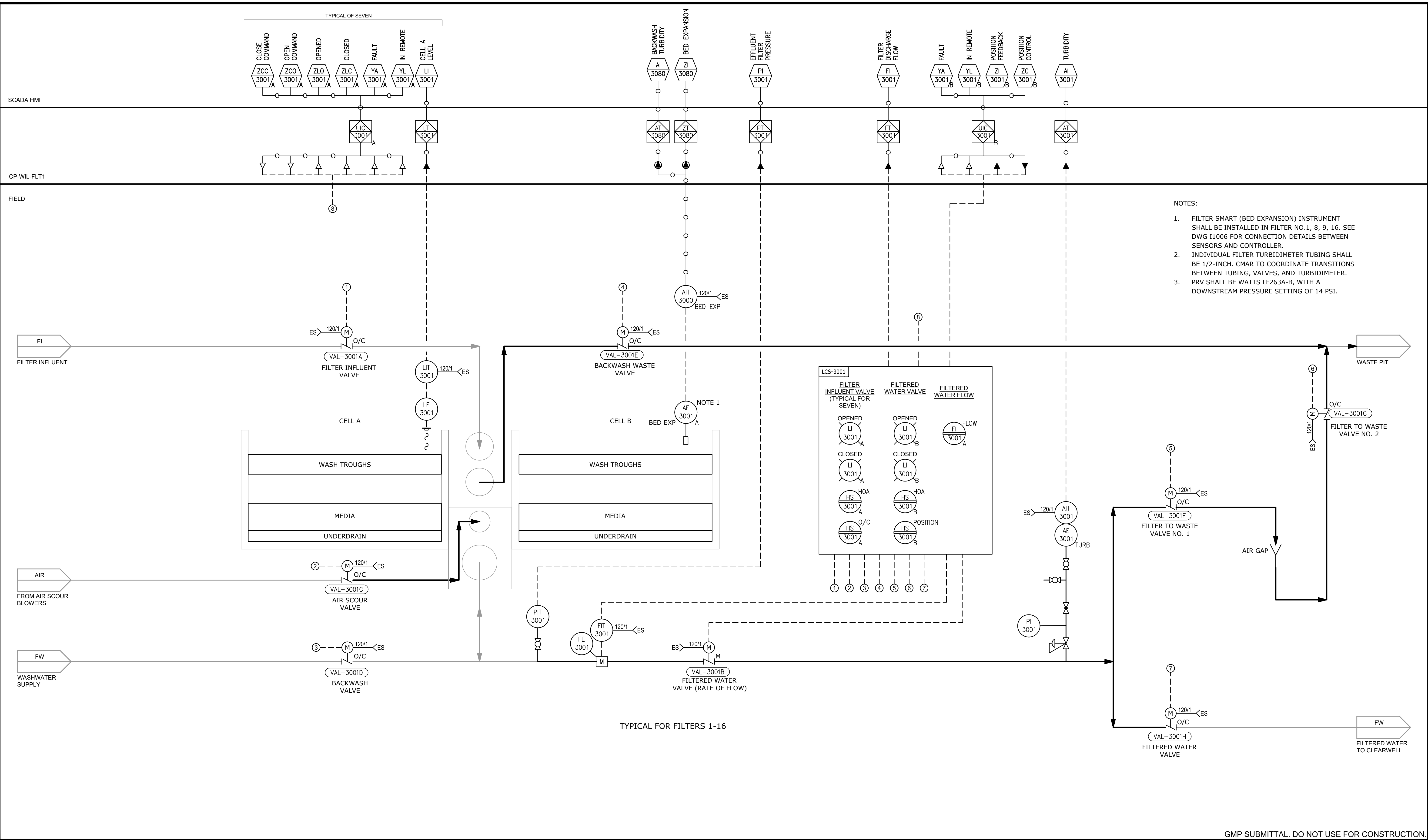


Hazen
 HAZEN AND SAWYER
 8150 N. CENTRAL EXPRESSWAY
 TOWER II - SUITE 700
 DALLAS, TEXAS 75206

CENTRAL ARKANSAS WATER
 LITTLE ROCK, ARKANSAS
 JACK H. WILSON WTP RENEWAL AND
 RESILIENCY PROJECT

INSTRUMENTATION
 FILTERS NO.1 THRU 8
 OVERALL P&ID
 I3000A

DATE:	NOVEMBER 2024
HAZEN NO.:	60711-003
CONTRACT NO.:	1
DRAWING NUMBER:	I3000A

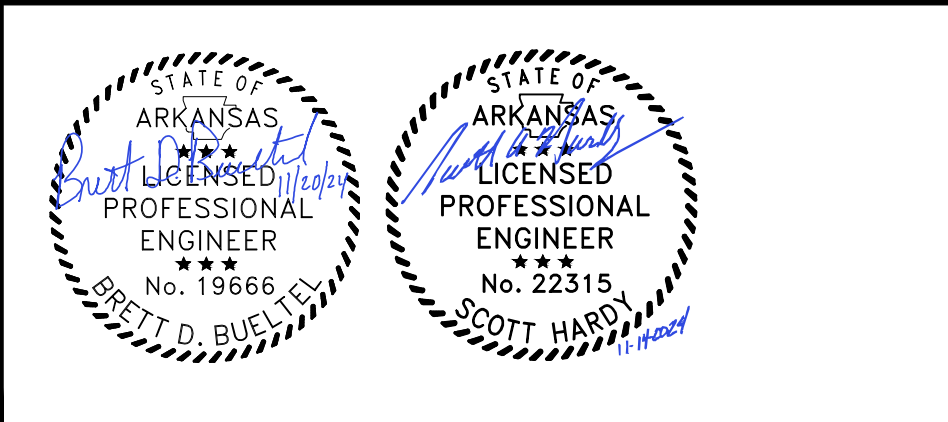


- NOTES:
1. FILTER SMART (BED EXPANSION) INSTRUMENT SHALL BE INSTALLED IN FILTER NO.1, 8, 9, 16. SEE DWG 11006 FOR CONNECTION DETAILS BETWEEN SENSORS AND CONTROLLER.
 2. INDIVIDUAL FILTER TURBIDIMETER TUBING SHALL BE 1/2-INCH. CMAR TO COORDINATE TRANSITIONS BETWEEN TUBING, VALVES, AND TURBIDIMETER.
 3. PRV SHALL BE WATTS LF263A-B, WITH A DOWNSTREAM PRESSURE SETTING OF 14 PSI.

GMP SUBMITTAL. DO NOT USE FOR CONSTRUCTION.

REV	ISSUED FOR	DATE	BY

PROJECT MANAGER:	T. HUDSON
DESIGNED BY:	S. ZOMORODI
DRAWN BY:	B. HARRIS
PROJECT ENGINEER:	S. ZOMORODI
IF THIS BAR DOES NOT MEASURE 1" THEN DRAWING IS NOT TO FULL SCALE	



Hazen
 HAZEN AND SAWYER
 8150 N. CENTRAL EXPRESSWAY
 TOWER II - SUITE 700
 DALLAS, TEXAS 75206

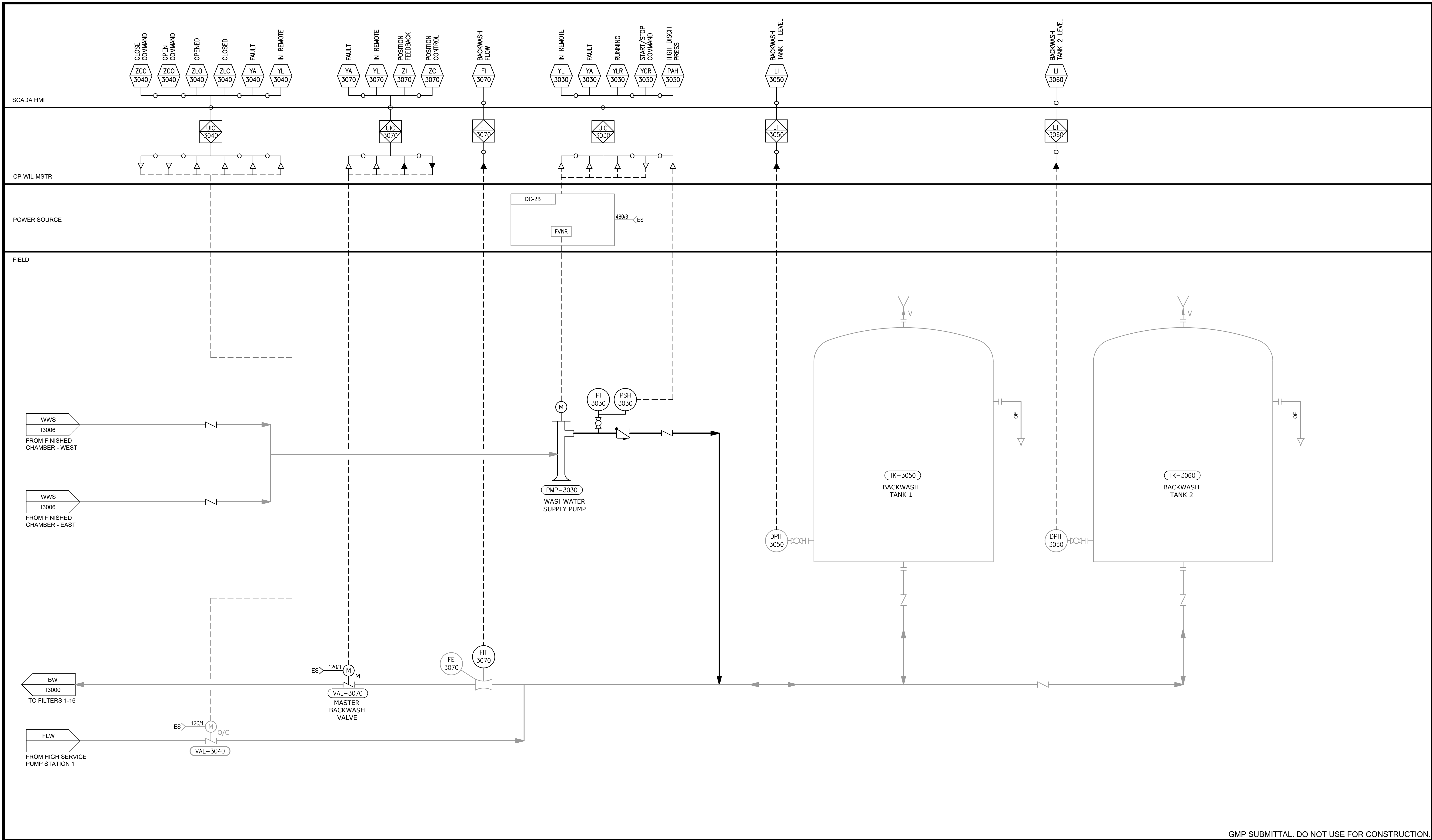
CENTRAL ARKANSAS WATER
 LITTLE ROCK, ARKANSAS
 JACK H. WILSON WTP RENEWAL AND RESILIENCY PROJECT

INSTRUMENTATION
 TYPICAL FILTER P&ID

DATE:	NOVEMBER 2024
HAZEN NO.:	60711-003
CONTRACT NO.:	1
DRAWING NUMBER:	I3001

File: C:\USERS\BHARRIS\APPDATA\LOCAL\AUTODESK\AUTOCAD PLANT 3D\COLLABORATION\CACHE\B0711-001_WILSON WTP REHAB FILTER BASIN\PID DIV\G3\I3001 Saved by: BHARRIS Save date: 11/15/2024 3:34 PM
 PLOT DATE: 11/19/2024 10:22 AM By: BHARRIS

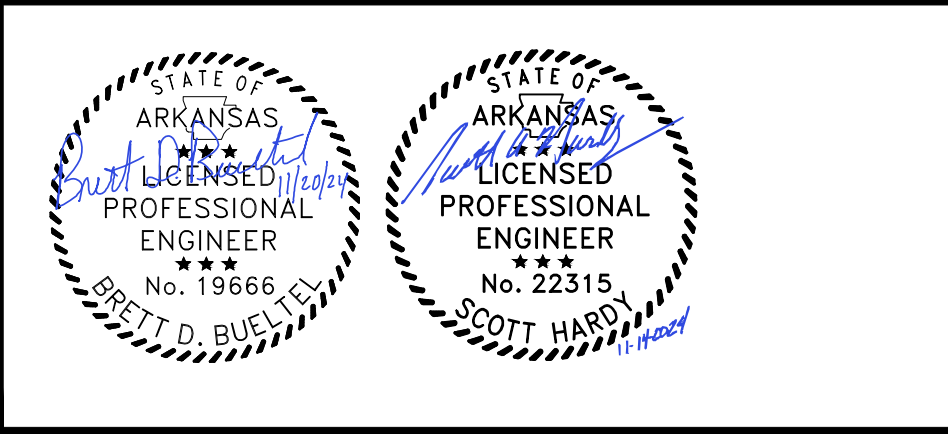
File: C:\USERS\BHARRIS\APPDATA\LOCAL\AUTODESK\AUTOCAD PLANT 3D\COLLABORATION\CACHE\B0711-001_WILSON WTP REHAB FILTER BASIN\PID DIV\G13003 Saved by BHARRIS Save date: 11/14/2024 8:54 AM
PLOT DATE: 11/19/2024 10:22 AM BY: BHARRIS



GMP SUBMITTAL. DO NOT USE FOR CONSTRUCTION.

REV	ISSUED FOR	DATE	BY

PROJECT MANAGER:	T. HUDSON
DESIGNED BY:	S. ZOMORODI
DRAWN BY:	B. HARRIS
PROJECT ENGINEER:	S. ZOMORODI
IF THIS BAR DOES NOT MEASURE 1" THEN DRAWING IS NOT TO FULL SCALE	
0	1/2" 1"



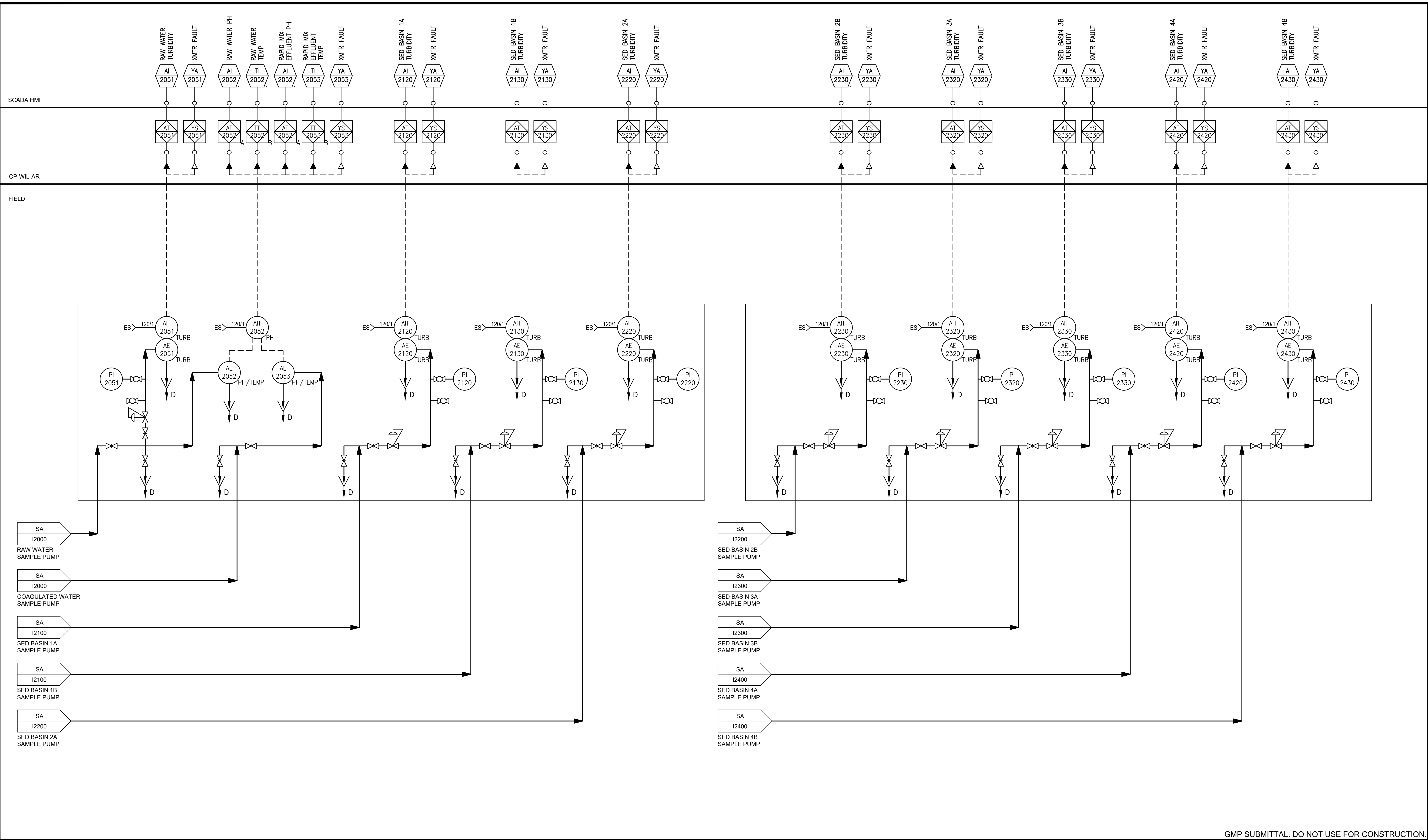
CENTRAL ARKANSAS WATER
LITTLE ROCK, ARKANSAS

JACK H. WILSON WTP RENEWAL AND
RESILIENCY PROJECT

INSTRUMENTATION
WASHWATER SUPPLY AND BACKWASH
P&ID

DATE:	NOVEMBER 2024
HAZEN NO.:	60711-003
CONTRACT NO.:	1
DRAWING NUMBER:	13003

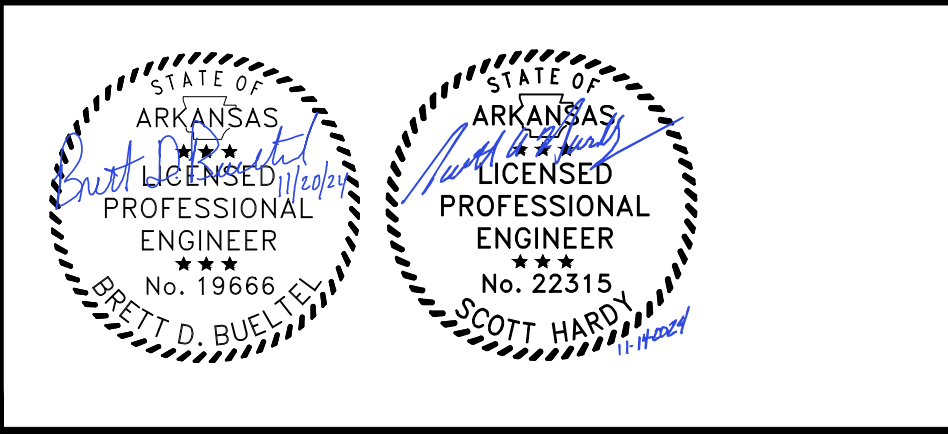
File: C:\USERS\BHARRIS\APPDATA\LOCAL\AUTODESK\AUTOCAD PLANT_3D\COLLABORATION\CACHE\B0711-001_WILSON WTP REHAB FILTER BASIN\PID DIV\G13004_Saved by BHARRIS Save date: 11/1/2024 10:41 AM
 PLOT DATE: 11/19/2024 10:22 AM BY: BHARRIS



GMP SUBMITTAL. DO NOT USE FOR CONSTRUCTION.

REV	ISSUED FOR	DATE	BY

PROJECT MANAGER:	T. HUDSON
DESIGNED BY:	S. ZOMORODI
DRAWN BY:	B. HARRIS
PROJECT ENGINEER:	S. ZOMORODI
IF THIS BAR DOES NOT MEASURE 1" THEN DRAWING IS NOT TO FULL SCALE	



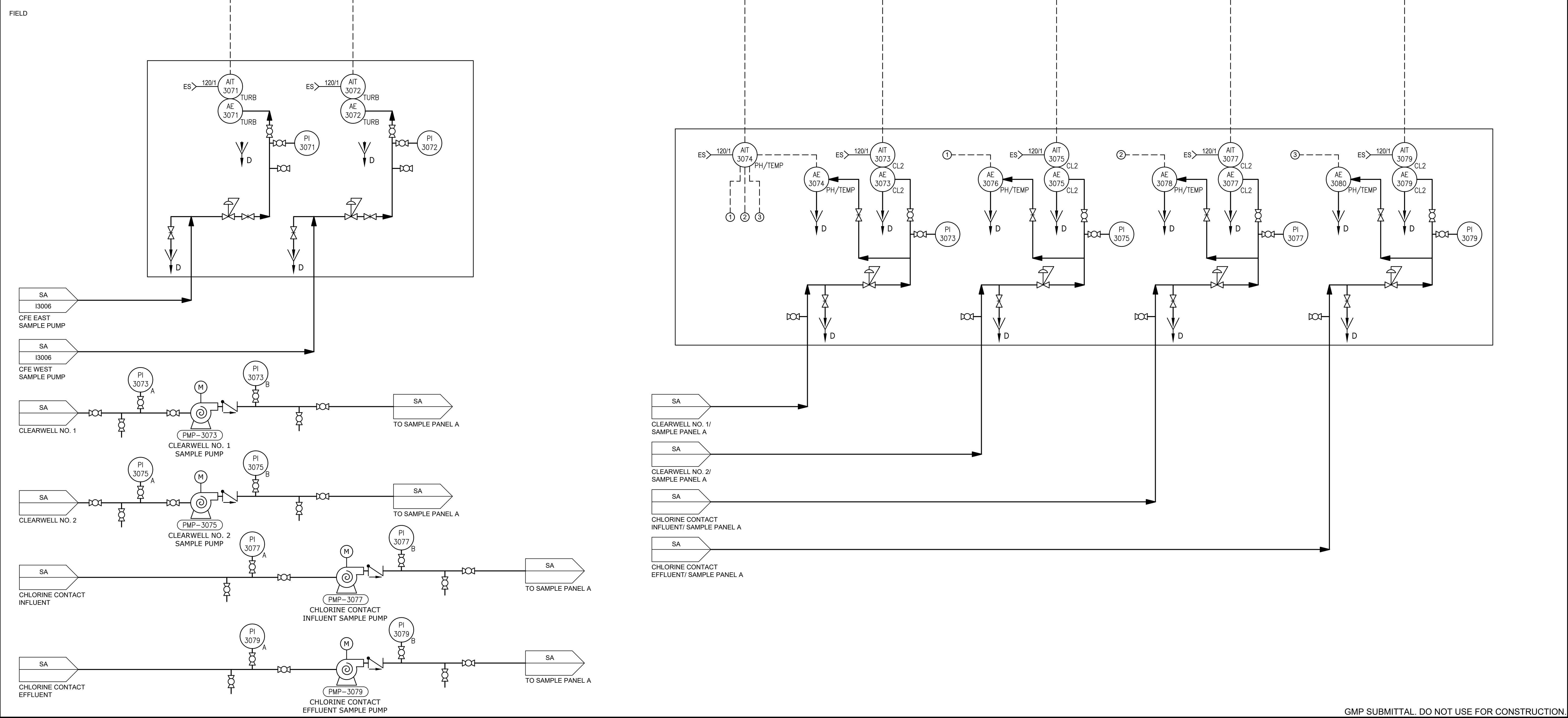
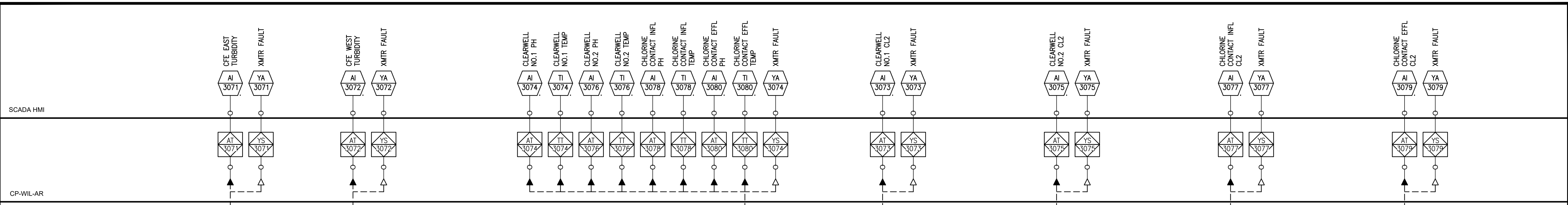
CENTRAL ARKANSAS WATER
 LITTLE ROCK, ARKANSAS

 JACK H. WILSON WTP RENEWAL AND
 RESILIENCY PROJECT

INSTRUMENTATION
 FILTER BUILDING ANALYZER ROOM P&ID
 SHEET 1

DATE:	NOVEMBER 2024
HAZEN NO.:	60711-003
CONTRACT NO.:	1
DRAWING NUMBER:	I3004

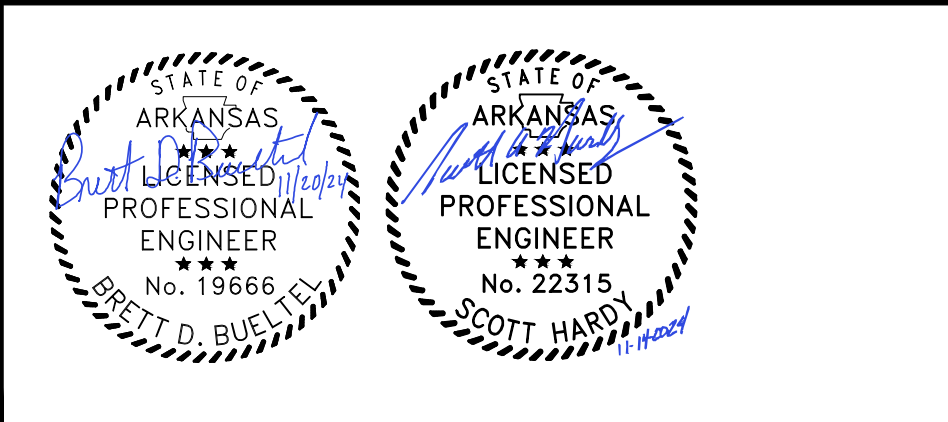
File: C:\USERS\BHARRIS\APPDATA\LOCAL\AUTOCAD\PLANT_3D\COLLABORATION\CACHE\B0711-001_WILSON WTP REHAB FILTER BUILDING\DWG\I3005 Saved by: BHARRIS Save date: 11/19/2024 10:20 AM
 PLOT DATE: 11/19/2024 10:22 AM BY: BHARRIS



GMP SUBMITTAL. DO NOT USE FOR CONSTRUCTION.

REV	ISSUED FOR	DATE	BY

PROJECT MANAGER:	T. HUDSON
DESIGNED BY:	S. ZOMORODI
DRAWN BY:	B. HARRIS
PROJECT ENGINEER:	S. ZOMORODI
IF THIS BAR DOES NOT MEASURE 1" THEN DRAWING IS NOT TO FULL SCALE	

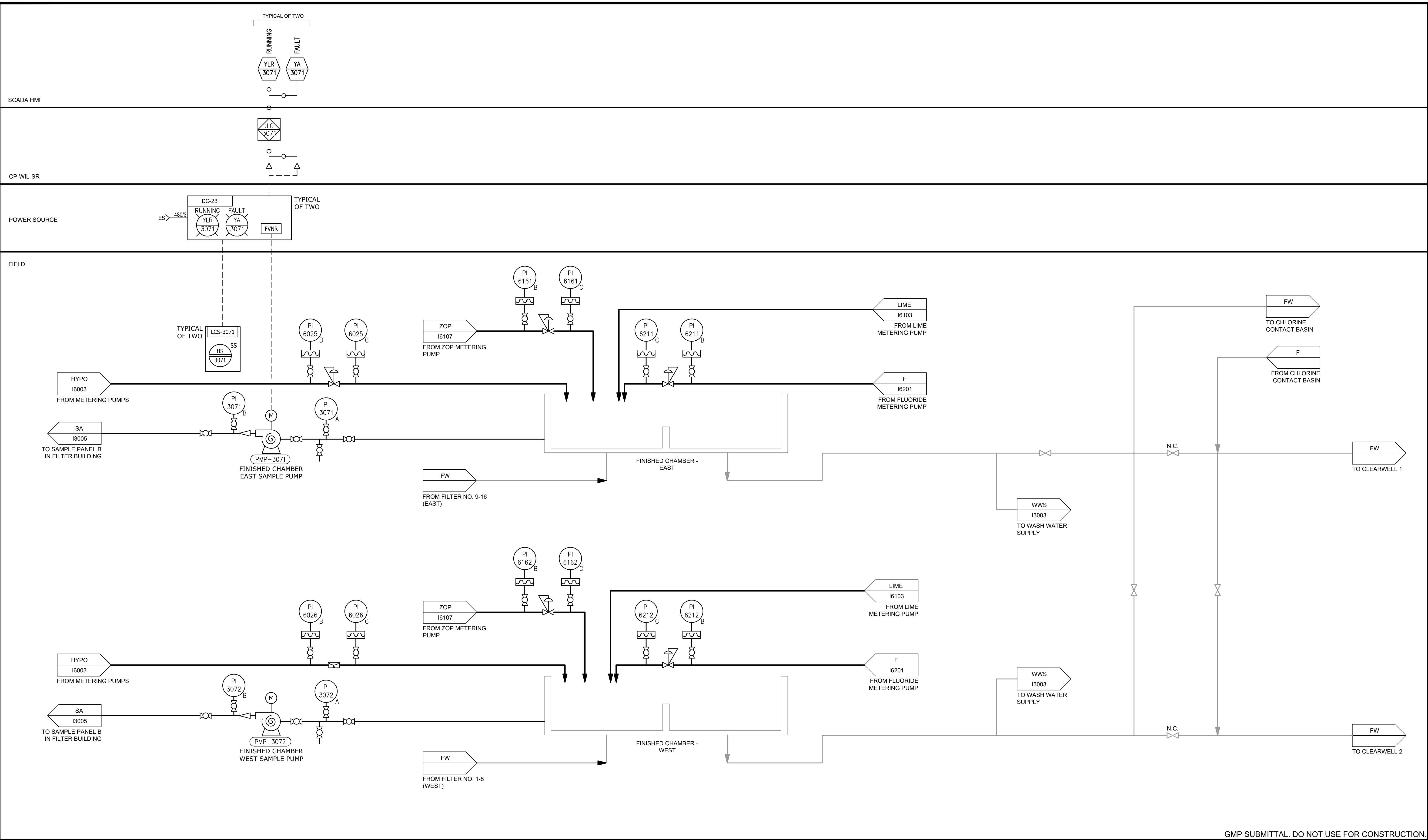


CENTRAL ARKANSAS WATER
 LITTLE ROCK, ARKANSAS

 JACK H. WILSON WTP RENEWAL AND
 RESILIENCY PROJECT

INSTRUMENTATION
 FILTER BUILDING ANALYZER ROOM P&ID
 SHEET 2

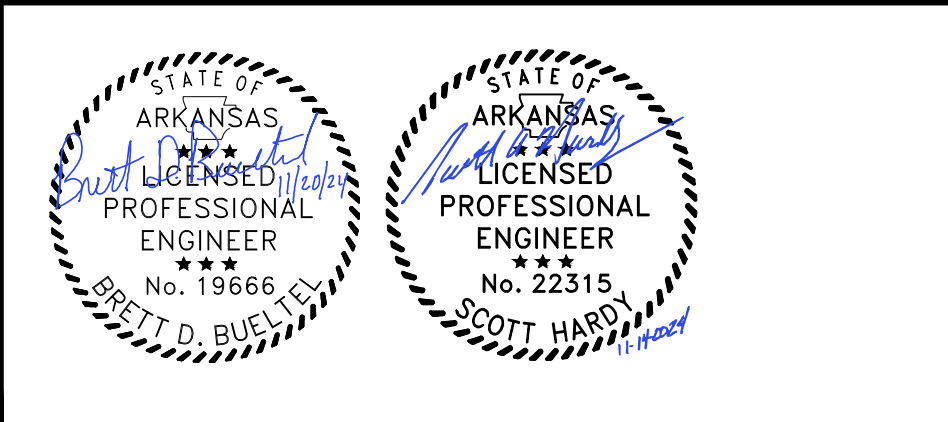
DATE:	NOVEMBER 2024
HAZEN NO.:	60711-003
CONTRACT NO.:	1
DRAWING NUMBER:	I3005



GMP SUBMITTAL. DO NOT USE FOR CONSTRUCTION.

REV	ISSUED FOR	DATE	BY

PROJECT MANAGER:	T. HUDSON
DESIGNED BY:	S. ZOMORODI
DRAWN BY:	B. HARRIS
PROJECT ENGINEER:	S. ZOMORODI
IF THIS BAR DOES NOT MEASURE 1" THEN DRAWING IS NOT TO FULL SCALE	



Hazen
 HAZEN AND SAWYER
 8150 N. CENTRAL EXPRESSWAY
 TOWER II - SUITE 700
 DALLAS, TEXAS 75206

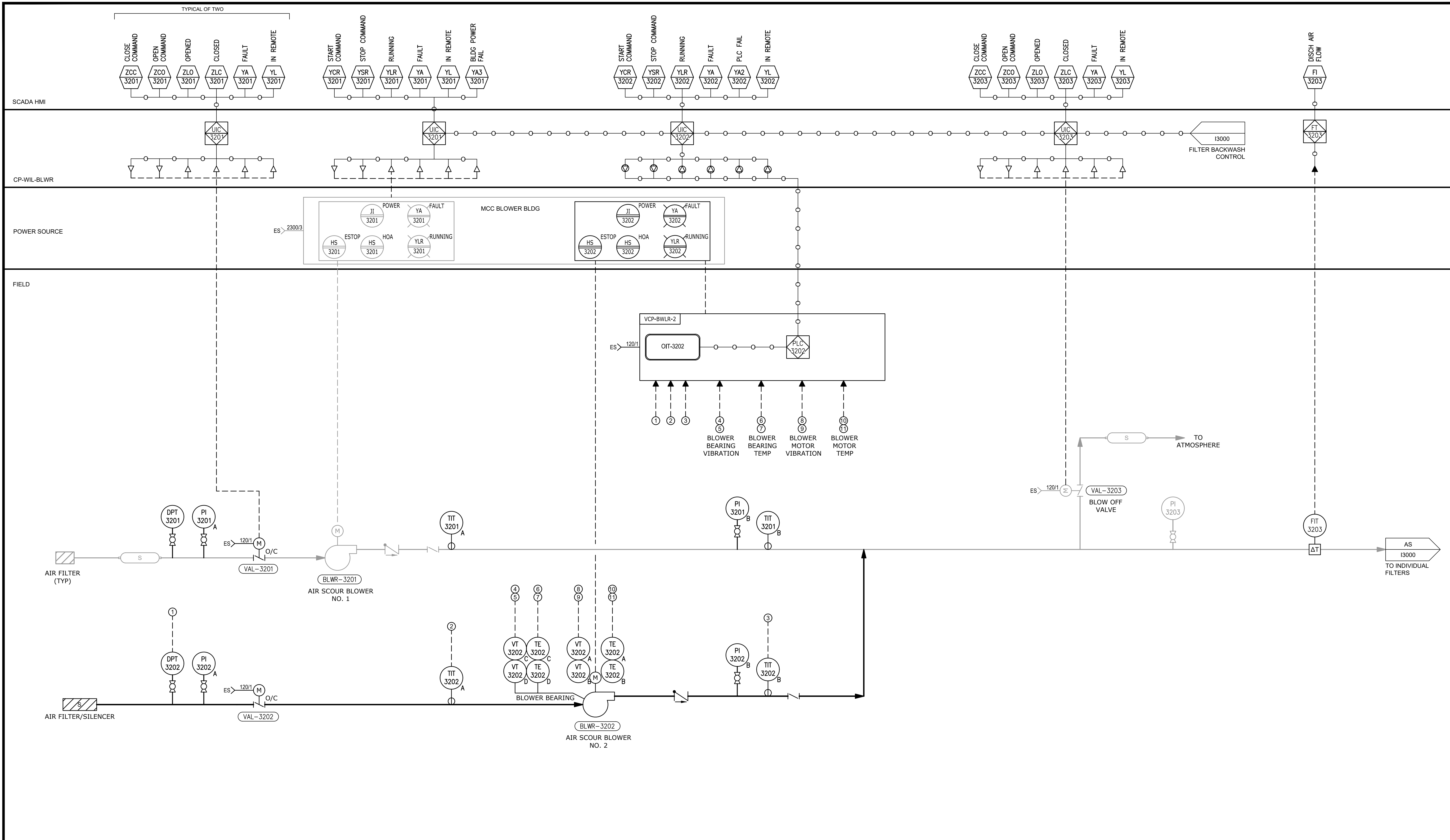
CENTRAL ARKANSAS WATER
 LITTLE ROCK, ARKANSAS
 JACK H. WILSON WTP RENEWAL AND
 RESILIENCY PROJECT

INSTRUMENTATION
 FINISHED CHAMBER P&ID

DATE:	NOVEMBER 2024
HAZEN NO.:	60711-003
CONTRACT NO.:	1
DRAWING NUMBER:	I3006

File: C:\USERS\BHARRIS\APPDATA\LOCAL\AUTODESK\AUTOCAD PLANT_3D\COLLABORATION\CACHE\B0711-001_WILSON WTP REHAB FILTER BASIN\PID DIV\G1\I3006 Saved by: BHARRIS Save date: 11/17/2024 11:48 PM
 PLOT DATE: 11/19/2024 10:22 AM BY: BHARRIS

File: C:\USERS\BHARRIS\APPDATA\LOCAL\AUTODESK\AUTOCAD PLANT 3D\COLLABORATION\CACHE\B0711-001_WILSON WTP REHAB FILTER BASIN\PID DIV\G13200 Saved by BHARRIS Save date: 11/15/2024 3:43 PM
PLOT DATE: 11/19/2024 10:22 AM BY: BHARRIS



GMP SUBMITTAL. DO NOT USE FOR CONSTRUCTION.

REV	ISSUED FOR	DATE	BY

PROJECT MANAGER:	T. HUDSON
DESIGNED BY:	S. ZOMORODI
DRAWN BY:	B. HARRIS
PROJECT ENGINEER:	S. ZOMORODI
IF THIS BAR DOES NOT MEASURE 1" THEN DRAWING IS NOT TO FULL SCALE	
0	1/2" 1"

BRETT D. BUELLET
No. 19666

SCOTT HARD
No. 22315

Hazen

HAZEN AND SAWYER
8150 N. CENTRAL EXPRESSWAY
TOWER II - SUITE 700
DALLAS, TEXAS 75206

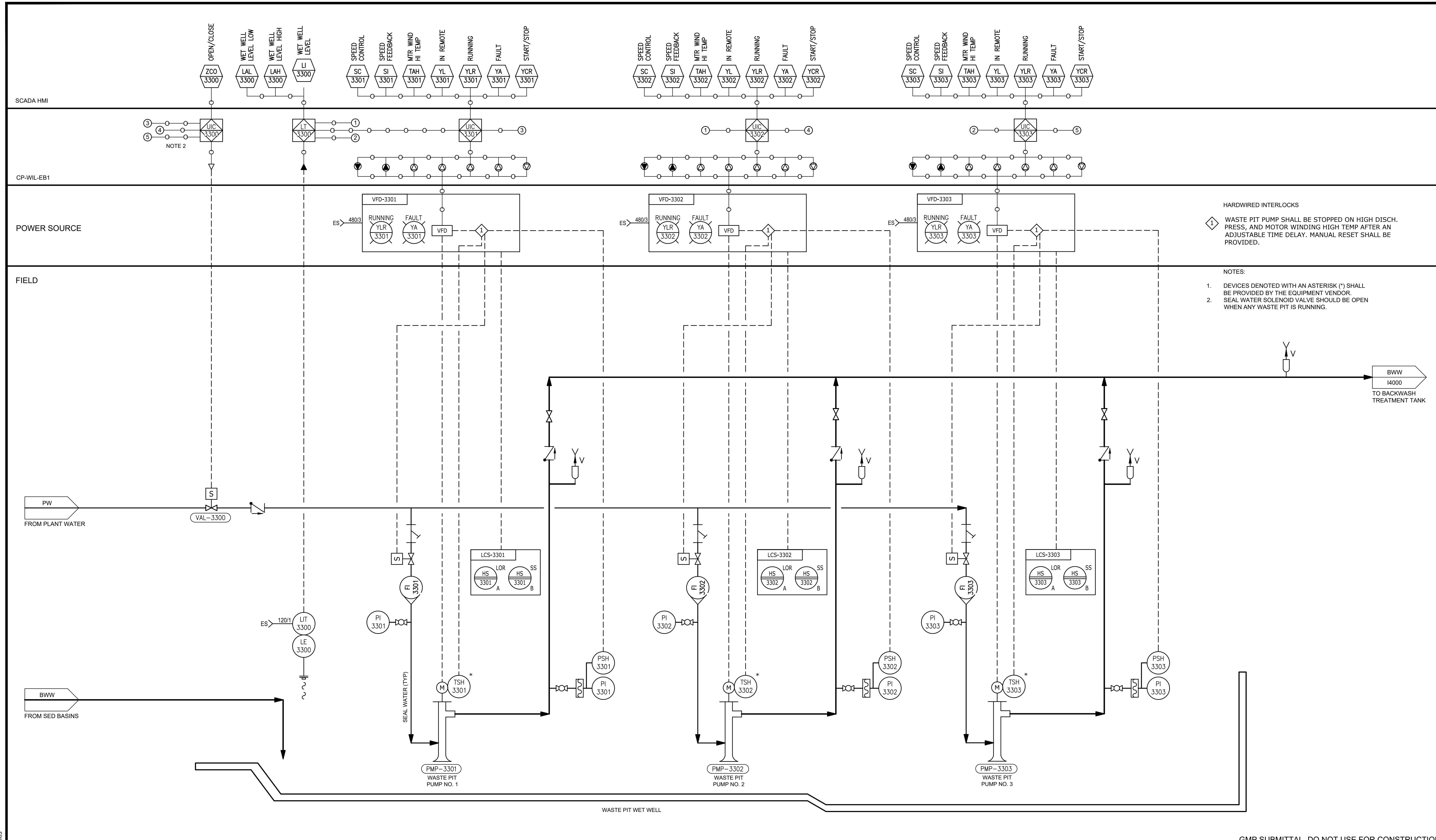
**CENTRAL ARKANSAS WATER
LITTLE ROCK, ARKANSAS**

**JACK H. WILSON WTP RENEWAL AND
RESILIENCY PROJECT**

**INSTRUMENTATION
AIR SCOUR BLOWERS P&ID**

DATE:	NOVEMBER 2024
HAZEN NO.:	60711-003
CONTRACT NO.:	1
DRAWING NUMBER:	13200

File: C:\USERS\BHARRIS\APPDATA\LOCAL\AUTOCAD\PLANT_3D\COLORLABORATION\CACHE\B0711-001_WILSON WTP REHAB FILTER BASIN\PID DIV\G1\3300 Saved by BHARRIS Save date: 11/4/2024 10:01 AM
 PLOT DATE: 11/19/2024 10:22 AM BY: BHARRIS



HARDWIRED INTERLOCKS

1 WASTE PIT PUMP SHALL BE STOPPED ON HIGH DISCH. PRESS, AND MOTOR WINDING HIGH TEMP AFTER AN ADJUSTABLE TIME DELAY. MANUAL RESET SHALL BE PROVIDED.

- NOTES:**
1. DEVICES DENOTED WITH AN ASTERISK (*) SHALL BE PROVIDED BY THE EQUIPMENT VENDOR.
 2. SEAL WATER SOLENOID VALVE SHOULD BE OPEN WHEN ANY WASTE PIT IS RUNNING.

GMP SUBMITTAL. DO NOT USE FOR CONSTRUCTION.

REV	ISSUED FOR	DATE	BY

PROJECT MANAGER:	T. HUDSON
DESIGNED BY:	S. ZOMORODI
DRAWN BY:	B. HARRIS
PROJECT ENGINEER:	S. ZOMORODI
IF THIS BAR DOES NOT MEASURE 1" THEN DRAWING IS NOT TO FULL SCALE	



Hazen

HAZEN AND SAWYER
 8150 N. CENTRAL EXPRESSWAY
 TOWER II - SUITE 700
 DALLAS, TEXAS 75206

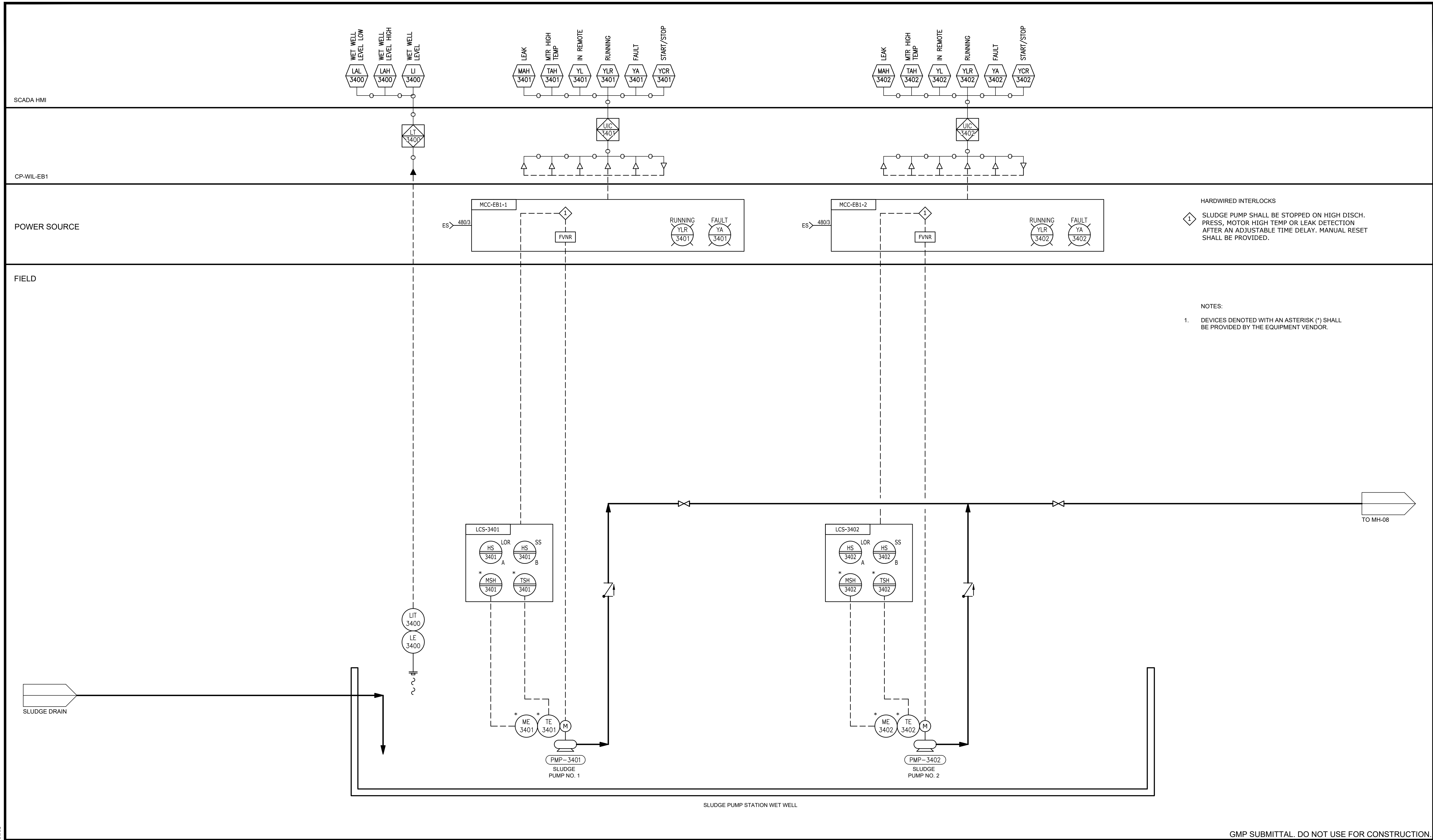
CENTRAL ARKANSAS WATER
 LITTLE ROCK, ARKANSAS

JACK H. WILSON WTP RENEWAL AND RESILIENCY PROJECT

INSTRUMENTATION
 WASTE PIT PUMPS P&ID

DATE:	NOVEMBER 2024
HAZEN NO.:	60711-003
CONTRACT NO.:	1
DRAWING NUMBER:	13300

File: C:\USERS\BHARRIS\APPDATA\LOCAL\AUTODESK\AUTOCAD PLANT 3D\COLLABORATION\CACHE\B0711-001_WILSON WTP REHAB FILTER BASIN\PID DIV\G13400 Saved by BHARRIS Save date: 11/15/2024 3:44 PM
PLOT DATE: 11/19/2024 10:22 AM BY: BHARRIS



HARDWIRED INTERLOCKS
 1. SLUDGE PUMP SHALL BE STOPPED ON HIGH DISCH. PRESS, MOTOR HIGH TEMP OR LEAK DETECTION AFTER AN ADJUSTABLE TIME DELAY. MANUAL RESET SHALL BE PROVIDED.

NOTES:
 1. DEVICES DENOTED WITH AN ASTERISK (*) SHALL BE PROVIDED BY THE EQUIPMENT VENDOR.

GMP SUBMITTAL. DO NOT USE FOR CONSTRUCTION.

PROJECT MANAGER:	T. HUDSON		
DESIGNED BY:	S. ZOMORODI		
DRAWN BY:	B. HARRIS		
PROJECT ENGINEER:	S. ZOMORODI		
IF THIS BAR DOES NOT MEASURE 1" THEN DRAWING IS NOT TO FULL SCALE	0 1/2" 1"		
REV	ISSUED FOR	DATE	BY

STATE OF ARKANSAS
 LICENSED PROFESSIONAL ENGINEER
 No. 19666
 BRETT D. BUELL

STATE OF ARKANSAS
 LICENSED PROFESSIONAL ENGINEER
 No. 21489
 TYLER HUDSON

Hazen

HAZEN AND SAWYER
 8150 N. CENTRAL EXPRESSWAY
 TOWER II - SUITE 700
 DALLAS, TEXAS 75206

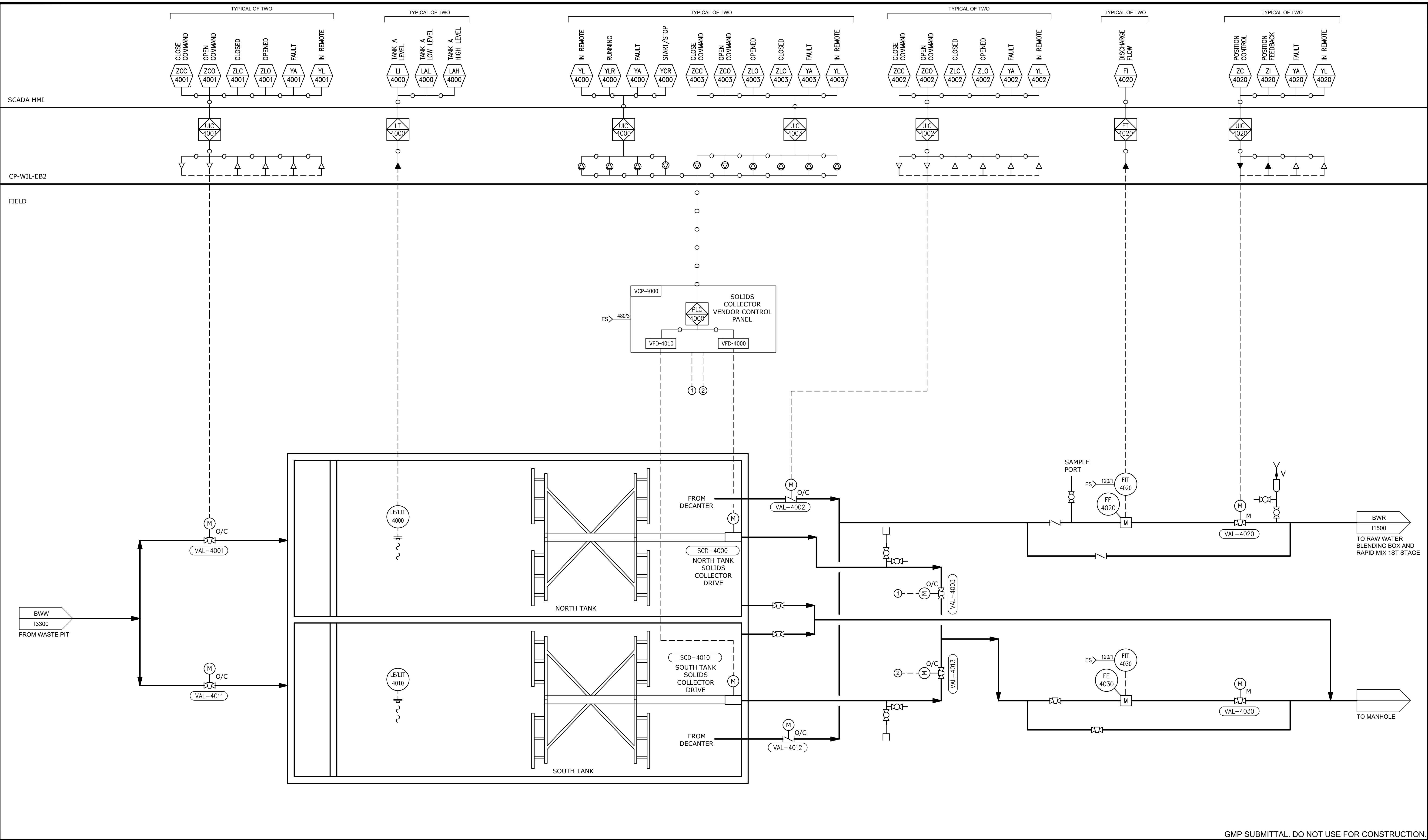
CENTRAL ARKANSAS WATER
 LITTLE ROCK, ARKANSAS

JACK H. WILSON WTP RENEWAL AND
 RESILIENCY PROJECT

INSTRUMENTATION
 SLUDGE PUMP STATION P&ID

DATE:	NOVEMBER 2024
HAZEN NO.:	60711-003
CONTRACT NO.:	1
DRAWING NUMBER:	I3400

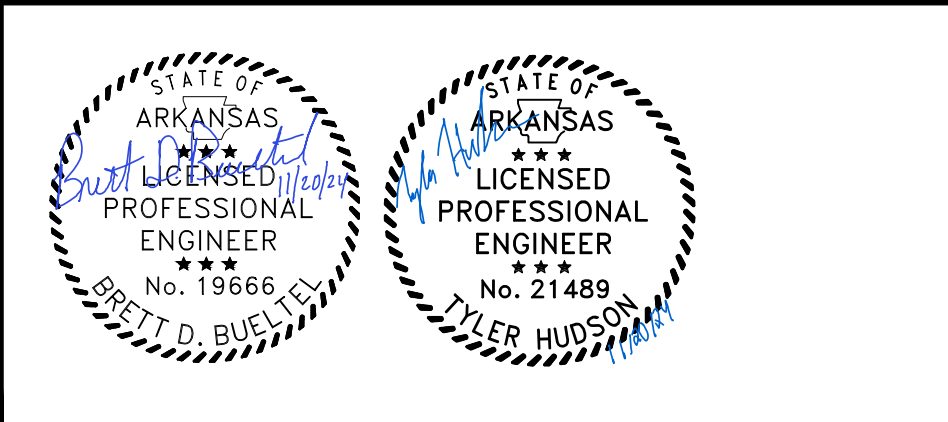
File: C:\USERS\BHARRIS\APPDATA\LOCAL\AUTODESK\AUTOCAD PLANT 3D\COLLABORATION\CACHE\B0711-001_WILSON WTP REHAB FILTER BASIN\PID DIV\G14000 Saved by BHARRIS Save date: 10/10/2024 12:27 PM
 PLOT DATE: 11/19/2024 10:22 AM BY: BHARRIS



GMP SUBMITTAL. DO NOT USE FOR CONSTRUCTION.

REV	ISSUED FOR	DATE	BY

PROJECT MANAGER:	T. HUDSON
DESIGNED BY:	S. ZOMORODI
DRAWN BY:	B. HARRIS
PROJECT ENGINEER:	S. ZOMORODI
IF THIS BAR DOES NOT MEASURE 1" THEN DRAWING IS NOT TO FULL SCALE	
0	1/2" 1"

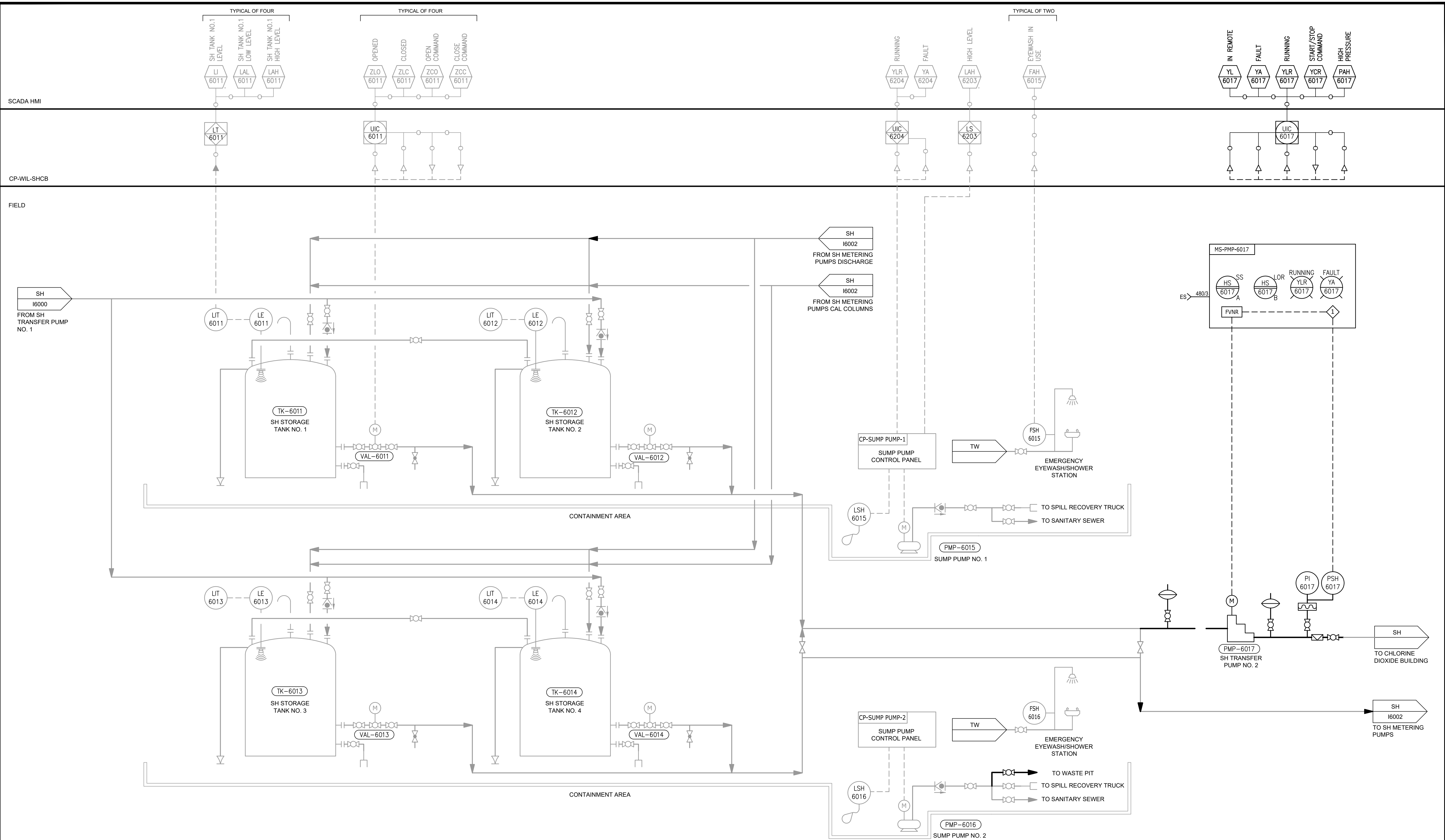


Hazen
 HAZEN AND SAWYER
 8150 N. CENTRAL EXPRESSWAY
 TOWER II - SUITE 700
 DALLAS, TEXAS 75206

CENTRAL ARKANSAS WATER
 LITTLE ROCK, ARKANSAS
 JACK H. WILSON WTP RENEWAL AND
 RESILIENCY PROJECT

INSTRUMENTATION
 BACKWASH TREATMENT TANK P&ID

DATE:	NOVEMBER 2024
HAZEN NO.:	60711-003
CONTRACT NO.:	1
DRAWING NUMBER:	14000



GMP SUBMITTAL. DO NOT USE FOR CONSTRUCTION.

REV	ISSUED FOR	DATE	BY

PROJECT MANAGER:	T. HUDSON
DESIGNED BY:	S. ZOMORODI
DRAWN BY:	B. HARRIS
PROJECT ENGINEER:	S. ZOMORODI
IF THIS BAR DOES NOT MEASURE 1" THEN DRAWING IS NOT TO FULL SCALE	

BRETT D. BUELL

SCOTT HARD

Hazen

HAZEN AND SAWYER
8150 N. CENTRAL EXPRESSWAY
TOWER II - SUITE 700
DALLAS, TEXAS 75206

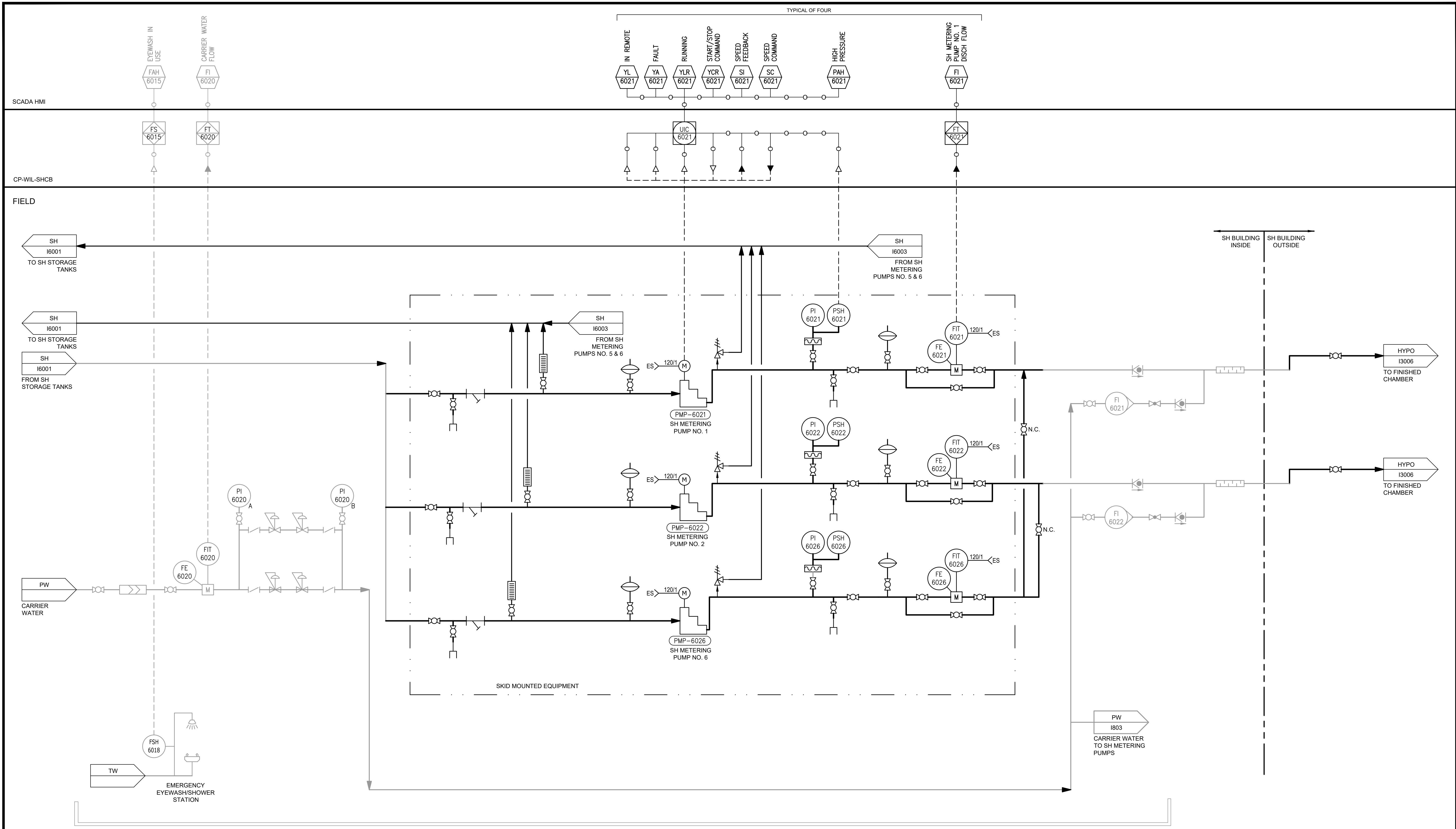
CENTRAL ARKANSAS WATER
LITTLE ROCK, ARKANSAS

JACK H. WILSON WTP RENEWAL AND RESILIENCY PROJECT

INSTRUMENTATION
SODIUM HYPO STORAGE TANKS P&ID
SHEET 2

DATE:	NOVEMBER 2024
HAZEN NO.:	60711-003
CONTRACT NO.:	1
DRAWING NUMBER:	I6001

File: C:\USERS\BHARRIS\APPDATA\LOCAL\AUTOCAD\PLANT_3D\COLORLABORATION\CACHE\B0711-001_WILSON WTP REHAB FILTER BASIN\FID DIV\G01\B001_Saved by BHARRIS Save date: 11/18/2024 8:04 AM
PLOT DATE: 11/19/2024 10:22 AM BY: BHARRIS

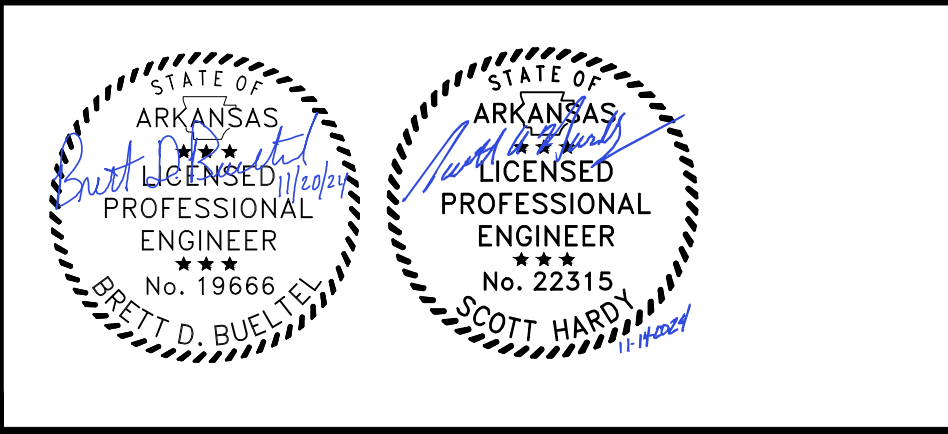


File: C:\USERS\BHARRIS\APPDATA\LOCAL\AUTODESK\AUTOCAD PLANT 3D\COLLABORATION\CACHE\B0711-001_WILSON WTP REHAB FILTER BASIN\PID DIV\6022 Saved by BHARRIS Save date: 11/15/2024 11:54 AM
 PLOT DATE: 11/19/2024 10:22 AM BY: BHARRIS

GMP SUBMITTAL. DO NOT USE FOR CONSTRUCTION.

REV	ISSUED FOR	DATE	BY

PROJECT MANAGER:	T. HUDSON
DESIGNED BY:	S. ZOMORODI
DRAWN BY:	B. HARRIS
PROJECT ENGINEER:	S. ZOMORODI
IF THIS BAR DOES NOT MEASURE 1" THEN DRAWING IS NOT TO FULL SCALE	
0	1/2" 1"

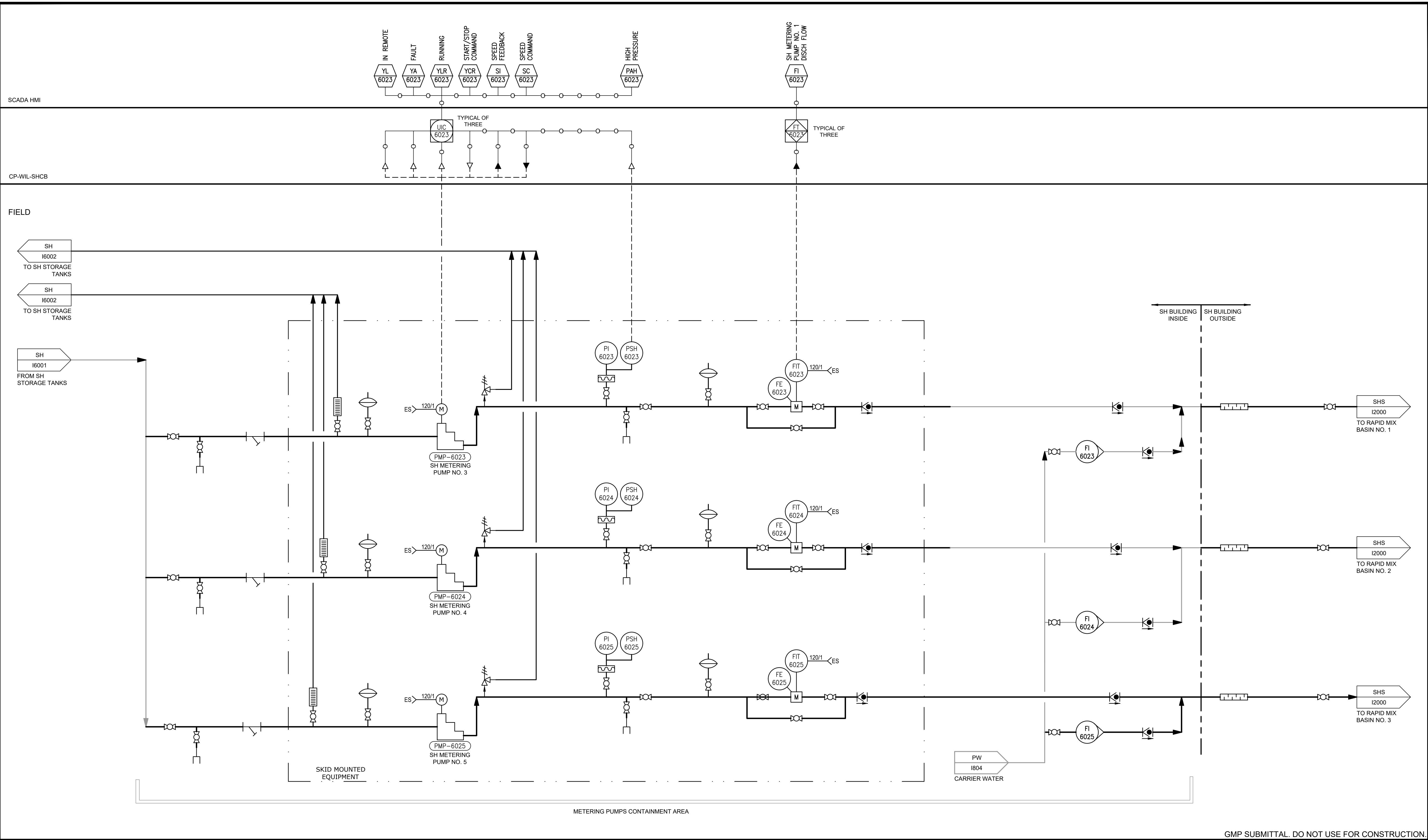


Hazen
 HAZEN AND SAWYER
 8150 N. CENTRAL EXPRESSWAY
 TOWER II - SUITE 700
 DALLAS, TEXAS 75206

CENTRAL ARKANSAS WATER
 LITTLE ROCK, ARKANSAS
 JACK H. WILSON WTP RENEWAL AND
 RESILIENCY PROJECT

INSTRUMENTATION
 SODIUM HYPO METERING PUMPS P&ID
 SHEET 1
 I6002

DATE:	NOVEMBER 2024
HAZEN NO.:	60711-003
CONTRACT NO.:	1
DRAWING NUMBER:	I6002



File: C:\USERS\BHARRIS\APPDATA\LOCAL\AUTOCAD\PLANT_3D\COLLABORATION\CACHE\60711-001_WILSON WTP REHAB FILTER BASIN\PID DIV\603 Saved by: BHARRIS Save date: 11/5/2024 1:48 PM
 PLOT DATE: 11/19/2024 10:22 AM BY: BHARRIS

GMP SUBMITTAL. DO NOT USE FOR CONSTRUCTION.

REV	ISSUED FOR	DATE	BY

PROJECT MANAGER:	T. HUDSON
DESIGNED BY:	S. ZOMORODI
DRAWN BY:	B. HARRIS
PROJECT ENGINEER:	S. ZOMORODI
IF THIS BAR DOES NOT MEASURE 1" THEN DRAWING IS NOT TO FULL SCALE	

BRETT D. BUELLET
No. 19666

SCOTT HARD
No. 22315

Hazen

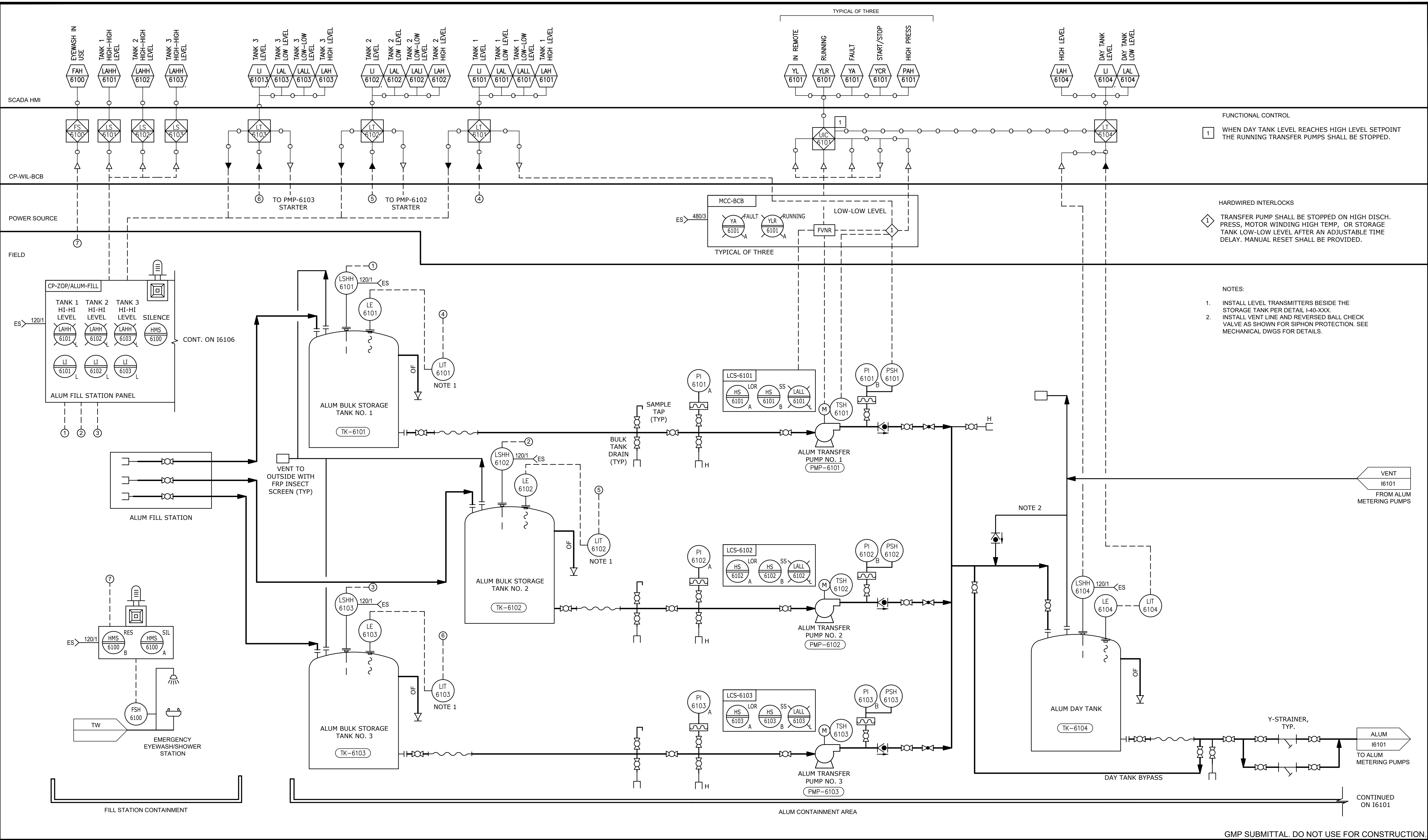
HAZEN AND SAWYER
8150 N. CENTRAL EXPRESSWAY
TOWER II - SUITE 700
DALLAS, TEXAS 75206

CENTRAL ARKANSAS WATER
LITTLE ROCK, ARKANSAS

JACK H. WILSON WTP RENEWAL AND
RESILIENCY PROJECT

INSTRUMENTATION
SODIUM HYPO METERING PUMPS P&ID
SHEET 2

DATE:	NOVEMBER 2024
HAZEN NO.:	60711-003
CONTRACT NO.:	1
DRAWING NUMBER:	I6003



FUNCTIONAL CONTROL

1 WHEN DAY TANK LEVEL REACHES HIGH LEVEL SETPOINT THE RUNNING TRANSFER PUMPS SHALL BE STOPPED.

HARDWIRED INTERLOCKS

3 TRANSFER PUMP SHALL BE STOPPED ON HIGH DISCH. PRESS, MOTOR WINDING HIGH TEMP, OR STORAGE TANK LOW-LOW LEVEL AFTER AN ADJUSTABLE TIME DELAY. MANUAL RESET SHALL BE PROVIDED.

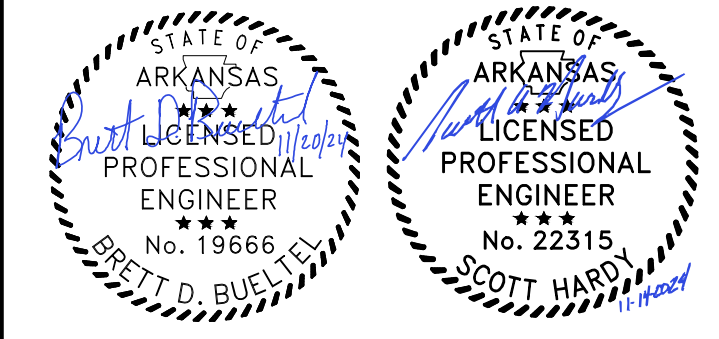
NOTES:

- INSTALL LEVEL TRANSMITTERS BESIDE THE STORAGE TANK PER DETAIL I-40-XXX.
- INSTALL VENT LINE AND REVERSED BALL CHECK VALVE AS SHOWN FOR SIPHON PROTECTION. SEE MECHANICAL DWGS FOR DETAILS.

GMP SUBMITTAL. DO NOT USE FOR CONSTRUCTION.

REV	ISSUED FOR	DATE	BY

PROJECT MANAGER:	T. HUDSON
DESIGNED BY:	S. ZOMORODI
DRAWN BY:	B. HARRIS
PROJECT ENGINEER:	S. ZOMORODI
IF THIS BAR DOES NOT MEASURE 1" THEN DRAWING IS NOT TO FULL SCALE	0 1/2" 1"



Hazen

HAZEN AND SAWYER
8150 N. CENTRAL EXPRESSWAY
TOWER II - SUITE 700
DALLAS, TEXAS 75206

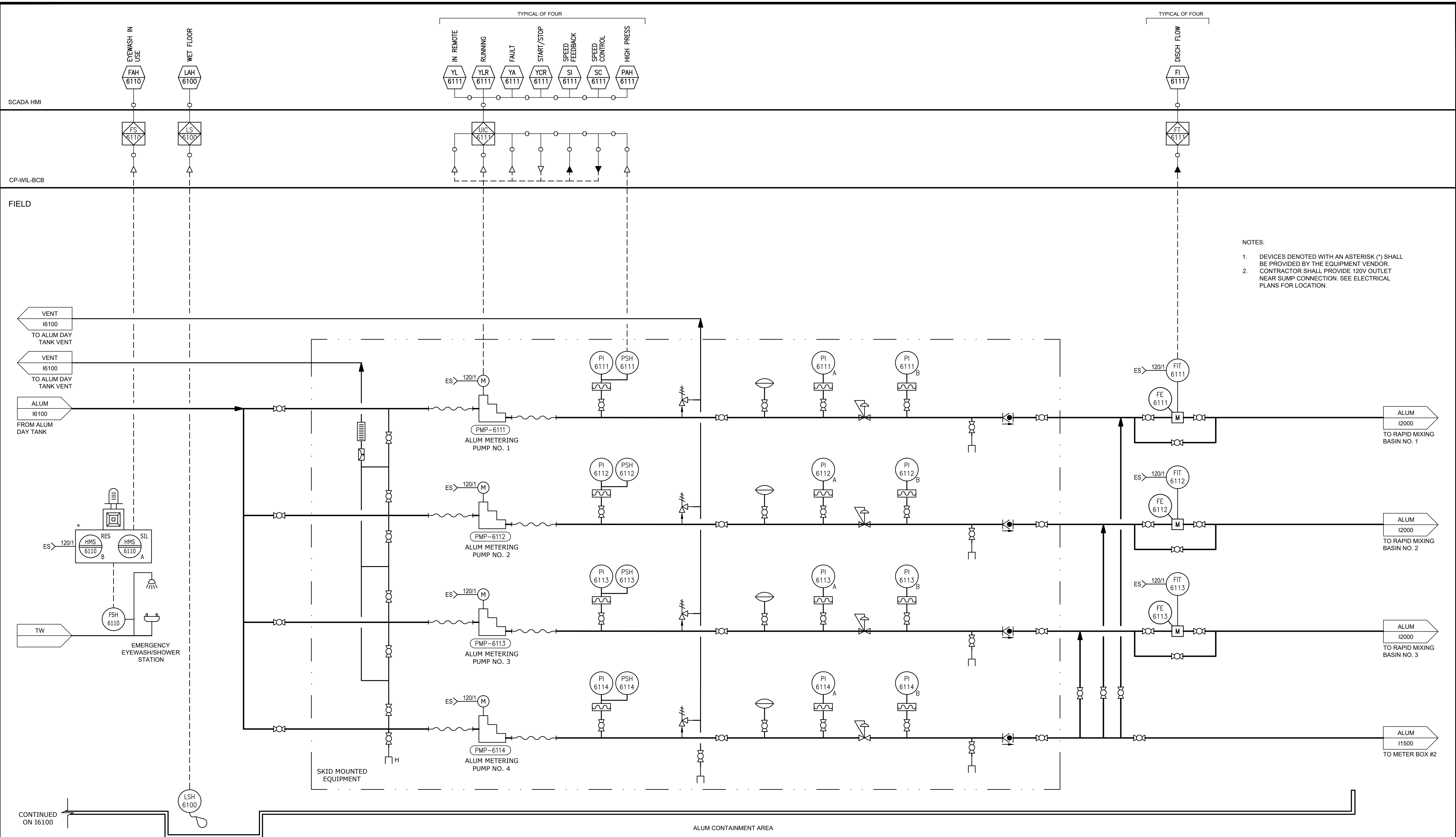
CENTRAL ARKANSAS WATER
LITTLE ROCK, ARKANSAS

JACK H. WILSON WTP RENEWAL AND
RESILIENCY PROJECT

INSTRUMENTATION
ALUM STORAGE TANKS P&ID

DATE:	NOVEMBER 2024
HAZEN NO.:	60711-003
CONTRACT NO.:	1
DRAWING NUMBER:	I6100

File: C:\USERS\BHARRIS\APPDATA\LOCAL\AUTOCAD\PLANT_3D\COLORLABORATION\CACHE\60711-001_WILSON WTP REHAB FILTER BASIN\PID DIV\G6100 Saved by: BHARRIS Save date: 10/11/2024 12:56 PM
 PLOT DATE: 11/19/2024 10:22 AM BY: BHARRIS

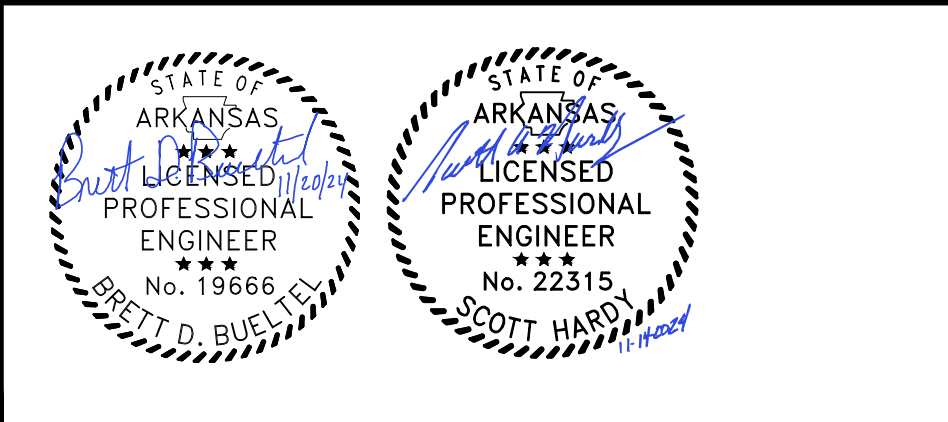


- NOTES:
1. DEVICES DENOTED WITH AN ASTERISK (*) SHALL BE PROVIDED BY THE EQUIPMENT VENDOR.
 2. CONTRACTOR SHALL PROVIDE 120V OUTLET NEAR SUMP CONNECTION. SEE ELECTRICAL PLANS FOR LOCATION.

GMP SUBMITTAL. DO NOT USE FOR CONSTRUCTION.

REV	ISSUED FOR	DATE	BY

PROJECT MANAGER:	T. HUDSON
DESIGNED BY:	S. ZOMORODI
DRAWN BY:	B. HARRIS
PROJECT ENGINEER:	S. ZOMORODI
IF THIS BAR DOES NOT MEASURE 1" THEN DRAWING IS NOT TO FULL SCALE	



Hazen
 HAZEN AND SAWYER
 8150 N. CENTRAL EXPRESSWAY
 TOWER II - SUITE 700
 DALLAS, TEXAS 75206

CENTRAL ARKANSAS WATER
 LITTLE ROCK, ARKANSAS
 JACK H. WILSON WTP RENEWAL AND
 RESILIENCY PROJECT

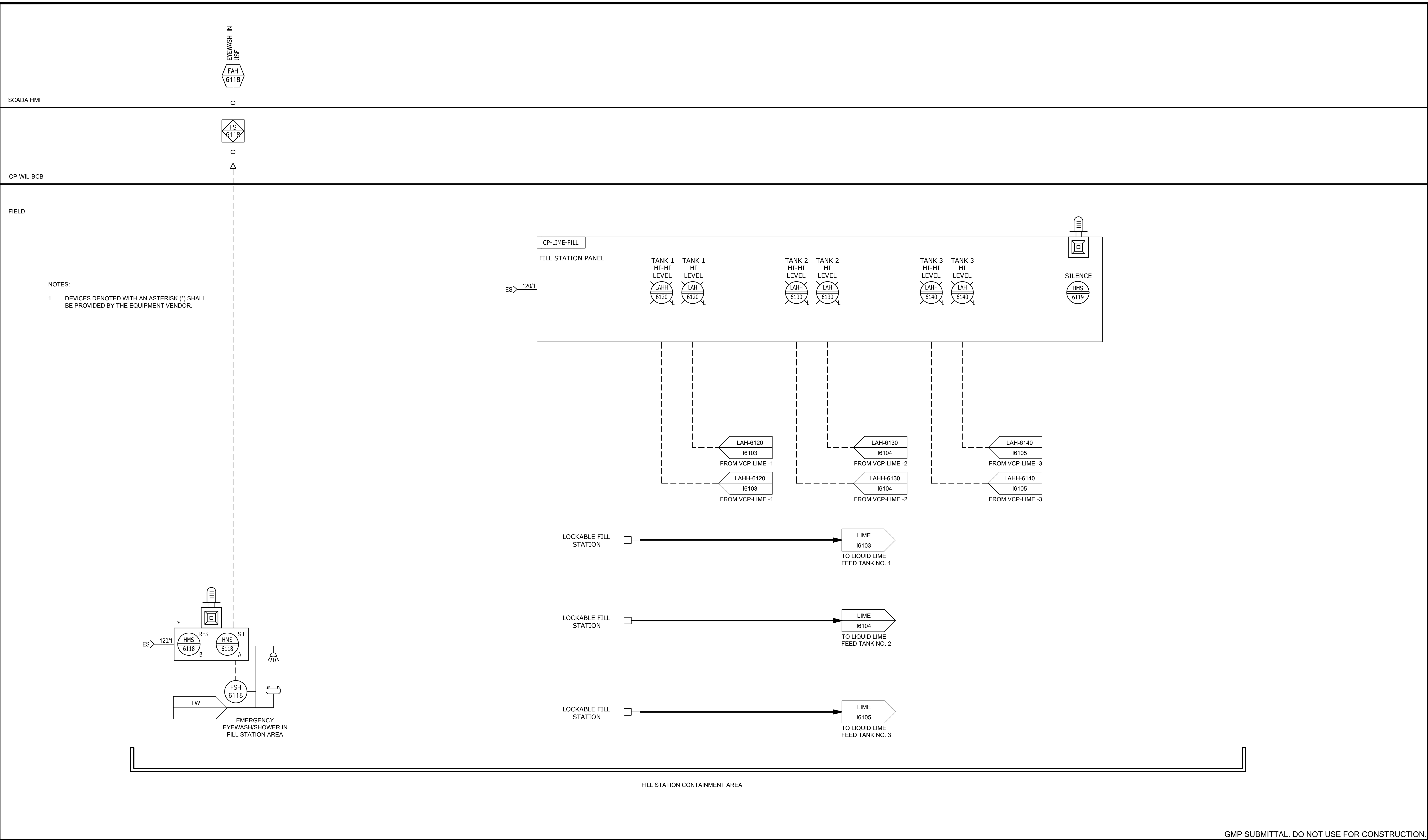
HAZEN AND SAWYER
 8150 N. CENTRAL EXPRESSWAY
 TOWER II - SUITE 700
 DALLAS, TEXAS 75206

INSTRUMENTATION
 ALUM METERING PUMPS P&ID

DATE:	NOVEMBER 2024
HAZEN NO.:	60711-003
CONTRACT NO.:	1
DRAWING NUMBER:	I6101

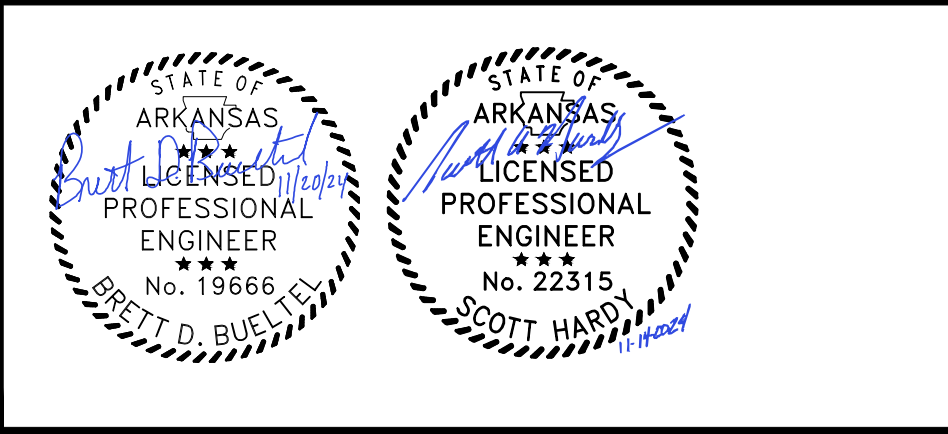
File: C:\USERS\BHARRIS\APPDATA\LOCAL\AUTODESK\AUTOCAD PLANT 3D\COLLABORATION\CACHE\B0711-001_WILSON WTP REHAB FILTER BASIN\PID DIV\I6101 Saved by: BHARRIS Save date: 11/5/2024 1:40 PM
 PLOT DATE: 11/19/2024 10:22 AM BY: BHARRIS

File: C:\USERS\BHARRIS\APPDATA\LOCAL\AUTODESK\AUTOCAD PLANT 3D\COLORLABORATION\CACHE\60711-001_WILSON WTP REHAB FILTER BASIN\FID DIV\6102 Saved by BHARRIS Save date: 10/10/2024 6:08 PM
PLOT DATE: 11/19/2024 10:22 AM BY: BHARRIS



GMP SUBMITTAL. DO NOT USE FOR CONSTRUCTION.

PROJECT MANAGER:	T. HUDSON
DESIGNED BY:	S. ZOMORODI
DRAWN BY:	B. HARRIS
PROJECT ENGINEER:	S. ZOMORODI
IF THIS BAR DOES NOT MEASURE 1" THEN DRAWING IS NOT TO FULL SCALE	0 1/2" 1"
REV	ISSUED FOR
	DATE
	BY



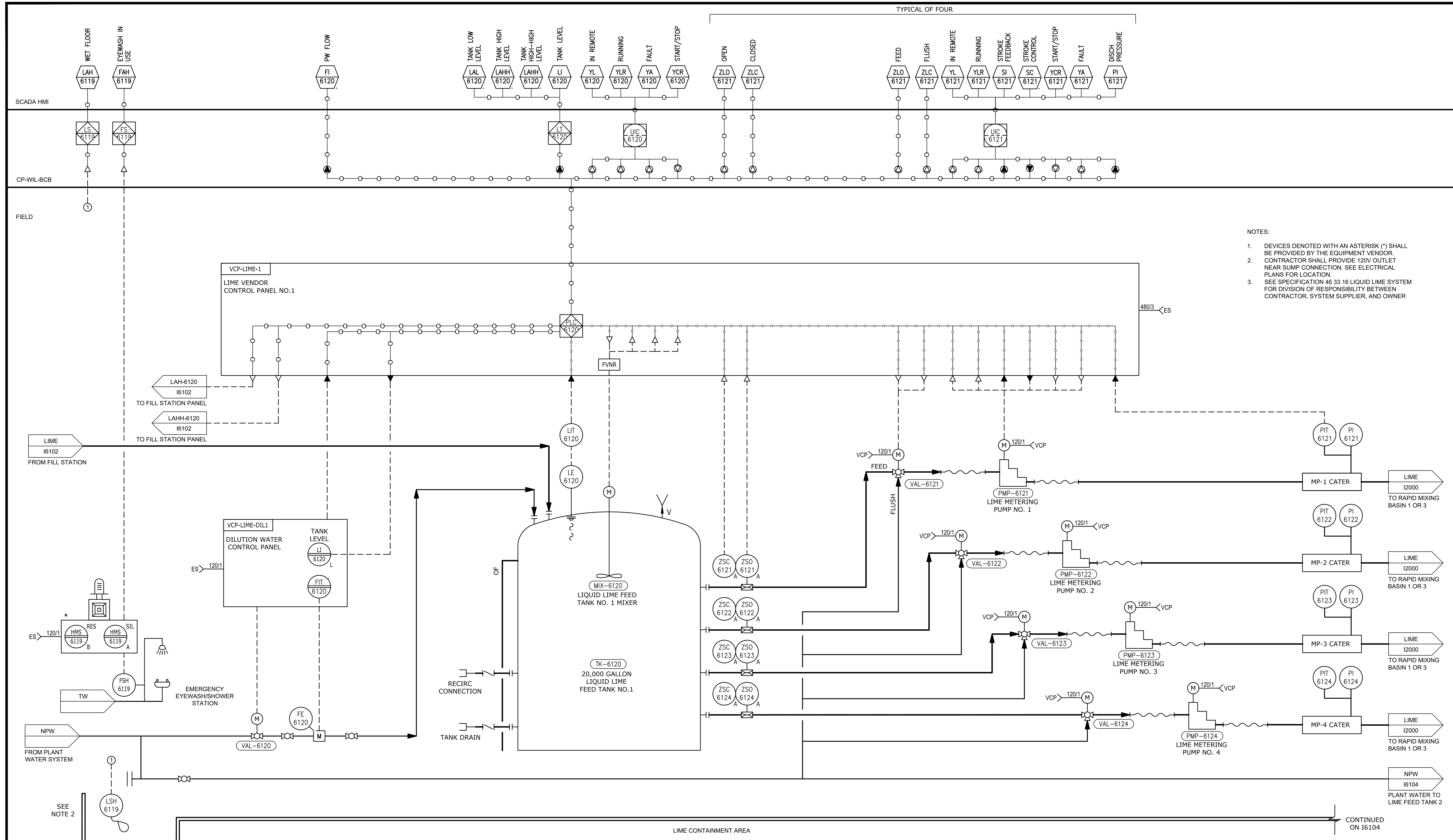
CENTRAL ARKANSAS WATER
LITTLE ROCK, ARKANSAS

JACK H. WILSON WTP RENEWAL AND RESILIENCY PROJECT

INSTRUMENTATION
LIQUID LIME SYSTEM FILL STATION
P&ID

DATE:	NOVEMBER 2024
HAZEN NO.:	60711-003
CONTRACT NO.:	1
DRAWING NUMBER:	I6102

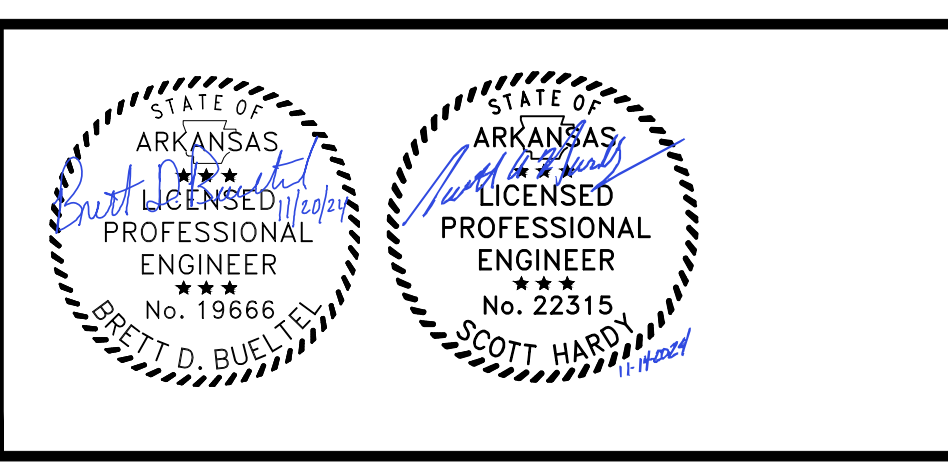
File: C:\USERS\BHARRIS\APPDATA\LOCAL\AUTOCAD PLANT 3D\COLORLABORATION\CACHE\60711-001_WILSON WTP REHAB FILTER BASIN\PID DIV\6103 Saved by BHARRIS Save date: 10/11/2024 12:44 PM
 PLOT DATE: 11/19/2024 10:22 AM BY: BHARRIS



- NOTES:
1. DEVICES DENOTED WITH AN ASTERISK (*) SHALL BE PROVIDED BY THE EQUIPMENT VENDOR.
 2. CONTRACTOR SHALL PROVIDE 120V OUTLET NEAR SUMP CONNECTION. SEE ELECTRICAL PLANS FOR LOCATION.
 3. SEE SPECIFICATION 46 33 16 LIQUID LIME SYSTEM FOR DIVISION OF RESPONSIBILITY BETWEEN CONTRACTOR, SYSTEM SUPPLIER, AND OWNER

REV	ISSUED FOR	DATE	BY

PROJECT MANAGER:	T. HUDSON
DESIGNED BY:	S. ZOMORODI
DRAWN BY:	B. HARRIS
PROJECT ENGINEER:	S. ZOMORODI
IF THIS BAR DOES NOT MEASURE 1" THEN DRAWING IS NOT TO FULL SCALE	



Hazen
 HAZEN AND SAWYER
 8150 N. CENTRAL EXPRESSWAY
 TOWER II - SUITE 700
 DALLAS, TEXAS 75206

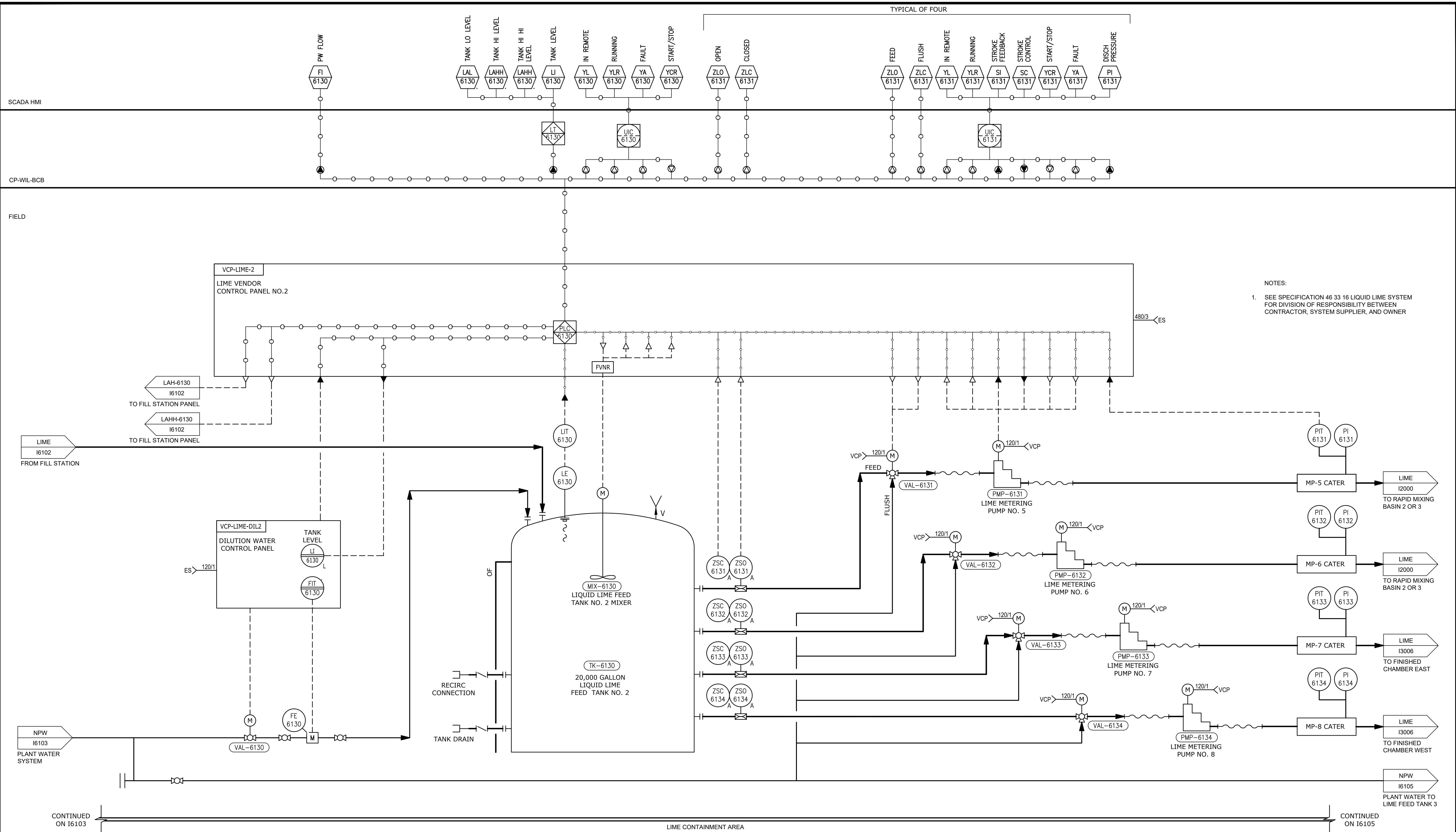
CENTRAL ARKANSAS WATER
 LITTLE ROCK, ARKANSAS
 JACK H. WILSON WTP RENEWAL AND
 RESILIENCY PROJECT

INSTRUMENTATION
 LIQUID LIME FEED TANK NO. 1
 AND METERING PUMPS P&ID

DATE:	NOVEMBER 2024
HAZEN NO.:	60711-003
CONTRACT NO.:	1
DRAWING NUMBER:	I6103

GMP SUBMITTAL. DO NOT USE FOR CONSTRUCTION.

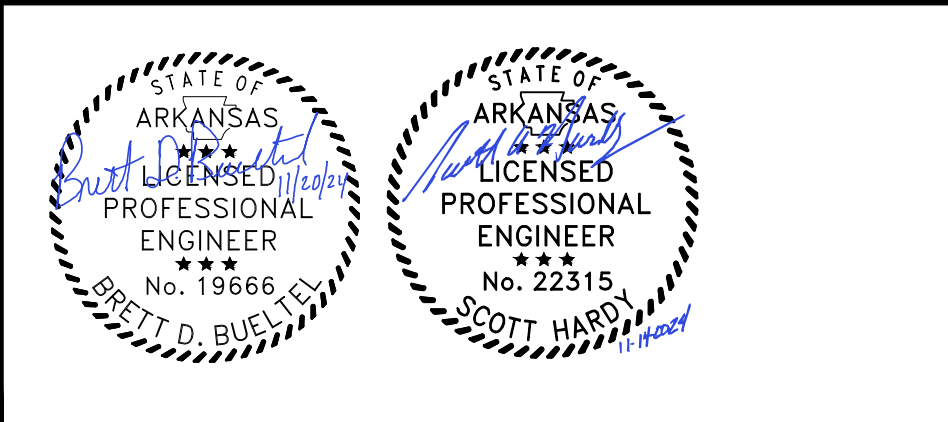
CONTINUED
ON I6104



GMP SUBMITTAL. DO NOT USE FOR CONSTRUCTION.

REV	ISSUED FOR	DATE	BY

PROJECT MANAGER:	T. HUDSON
DESIGNED BY:	S. ZOMORODI
DRAWN BY:	B. HARRIS
PROJECT ENGINEER:	S. ZOMORODI
IF THIS BAR DOES NOT MEASURE 1" THEN DRAWING IS NOT TO FULL SCALE	



Hazen
 HAZEN AND SAWYER
 8150 N. CENTRAL EXPRESSWAY
 TOWER II - SUITE 700
 DALLAS, TEXAS 75206

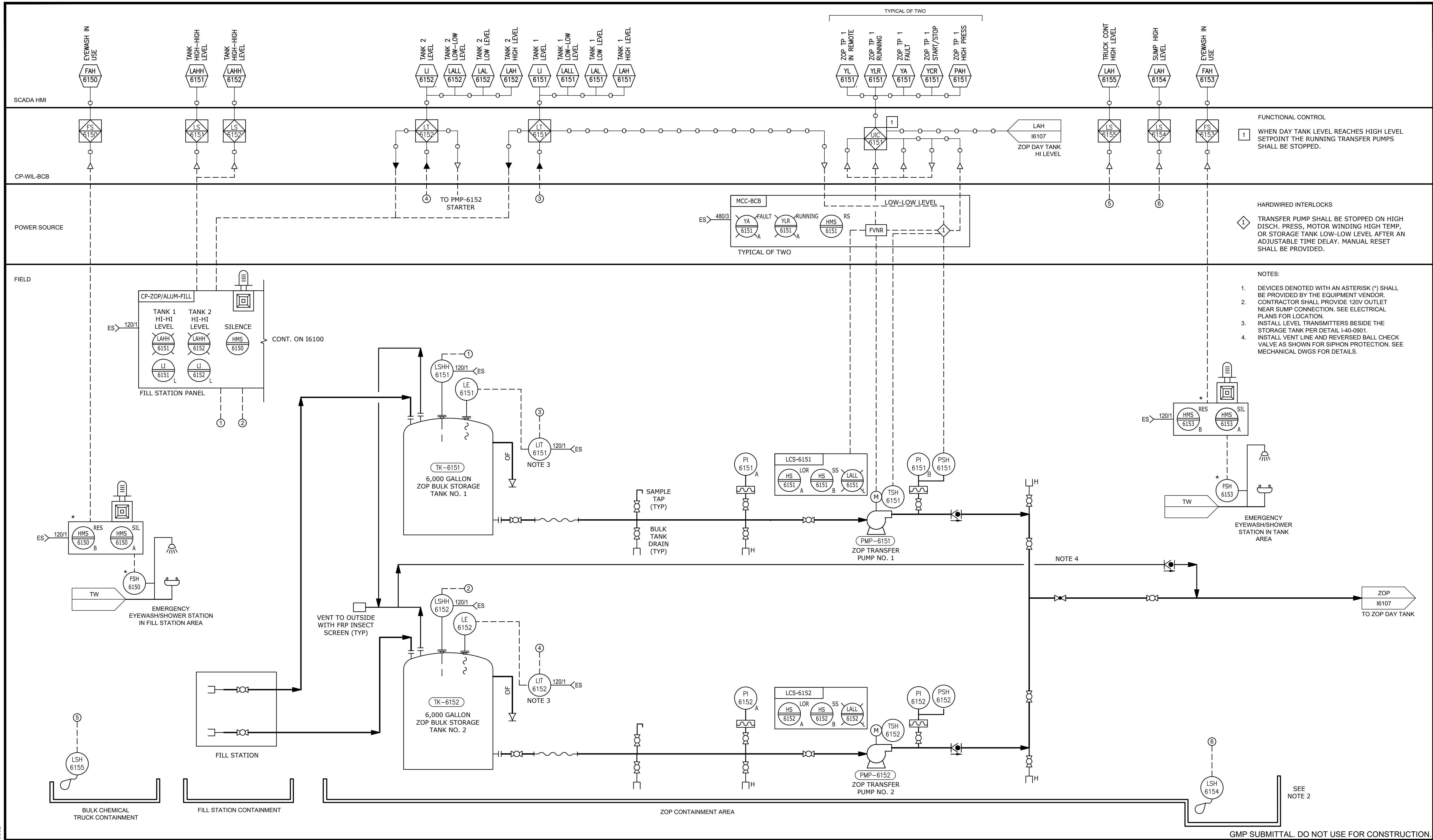
CENTRAL ARKANSAS WATER
 LITTLE ROCK, ARKANSAS
 JACK H. WILSON WTP RENEWAL AND
 RESILIENCY PROJECT

INSTRUMENTATION
 LIQUID LIME FEED TANK NO. 2
 AND METERING PUMPS P&ID

DATE:	NOVEMBER 2024
HAZEN NO.:	60711-003
CONTRACT NO.:	1
DRAWING NUMBER:	I6104

File: C:\USERS\BHARRIS\APPDATA\LOCAL\AUTOCAD\PLANT_3D\COLORLABORATION\CACHE\I60711-001_WILSON WTP REHAB FILTER BASIN\PIID DIV\I6104_Saved by BHARRIS Save date: 10/11/2024 1:07 PM PLOT DATE: 11/19/2024 10:22 AM BY: BHARRIS

File: C:\USERS\BHARRIS\APPDATA\LOCAL\AUTOCAD PLANT 3D\COLLABORATION\CACHE\B0711-001_WILSON WTP REHAB FILTER BASIN\PID DIV\G16106 Saved by: BHARRIS Save date: 10/11/2024 1:06 PM
 PLOT DATE: 11/19/2024 10:22 AM BY: BHARRIS



FUNCTIONAL CONTROL

1 WHEN DAY TANK LEVEL REACHES HIGH LEVEL SETPOINT THE RUNNING TRANSFER PUMPS SHALL BE STOPPED.

HARDWIRED INTERLOCKS

1 TRANSFER PUMP SHALL BE STOPPED ON HIGH DISCH. PRESS, MOTOR WINDING HIGH TEMP, OR STORAGE TANK LOW-LOW LEVEL AFTER AN ADJUSTABLE TIME DELAY. MANUAL RESET SHALL BE PROVIDED.

- NOTES:
1. DEVICES DENOTED WITH AN ASTERISK (*) SHALL BE PROVIDED BY THE EQUIPMENT VENDOR.
 2. CONTRACTOR SHALL PROVIDE 120V OUTLET NEAR SUMP CONNECTION. SEE ELECTRICAL PLANS FOR LOCATION.
 3. INSTALL LEVEL TRANSMITTERS BESIDE THE STORAGE TANK PER DETAIL I-40-0901.
 4. INSTALL VENT LINE AND REVERSED BALL CHECK VALVE AS SHOWN FOR SIPHON PROTECTION. SEE MECHANICAL DWGS FOR DETAILS.

GMP SUBMITTAL. DO NOT USE FOR CONSTRUCTION.

PROJECT MANAGER:	T. HUDSON
DESIGNED BY:	S. ZOMORODI
DRAWN BY:	B. HARRIS
PROJECT ENGINEER:	S. ZOMORODI
IF THIS BAR DOES NOT MEASURE 1" THEN DRAWING IS NOT TO FULL SCALE	0 1/2" 1"



Hazen

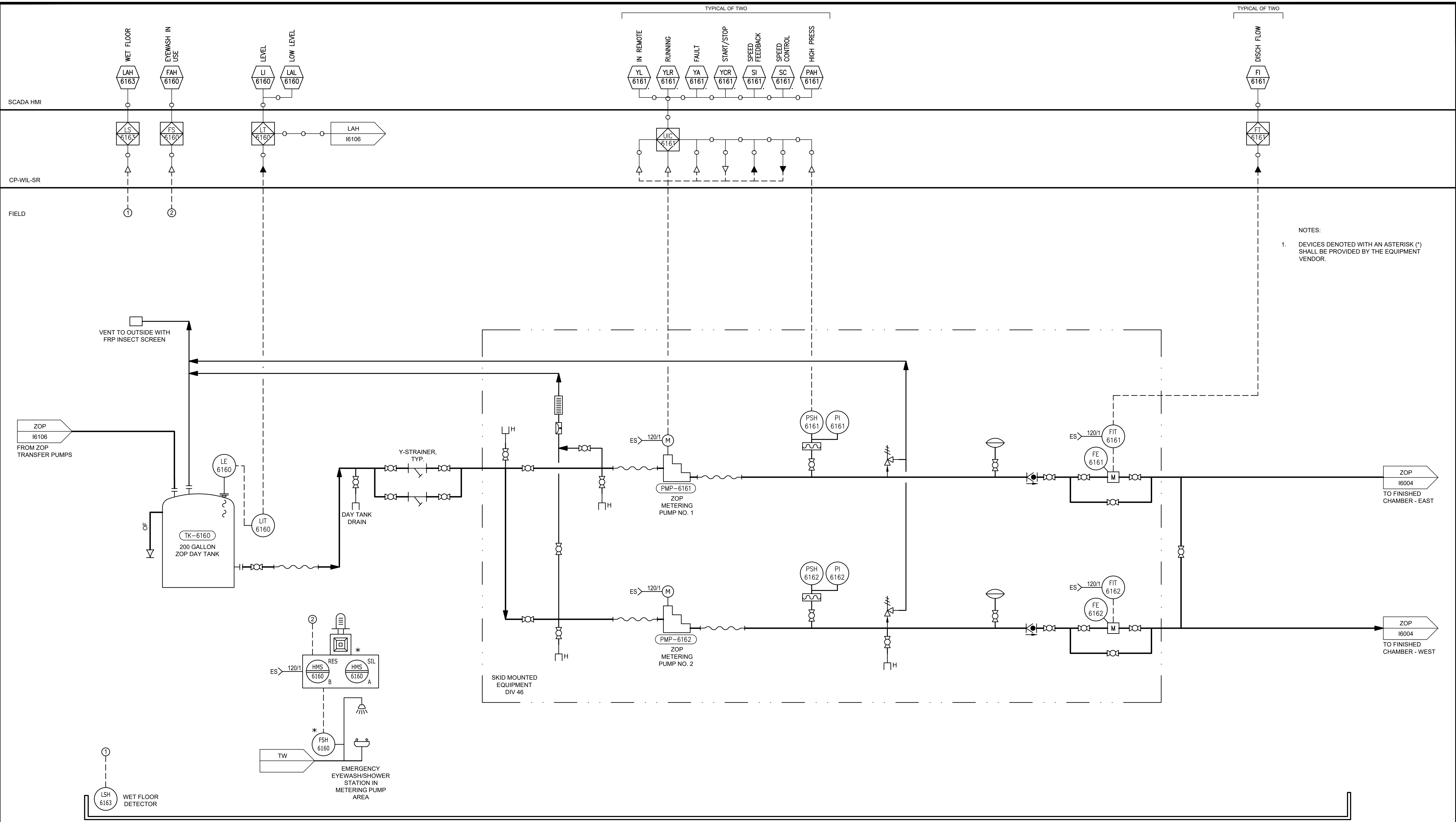
HAZEN AND SAWYER
 8150 N. CENTRAL EXPRESSWAY
 TOWER II - SUITE 700
 DALLAS, TEXAS 75206

CENTRAL ARKANSAS WATER
 LITTLE ROCK, ARKANSAS

JACK H. WILSON WTP RENEWAL AND RESILIENCY PROJECT

INSTRUMENTATION
 ZOP STORAGE P&ID

DATE:	NOVEMBER 2024
HAZEN NO.:	60711-003
CONTRACT NO.:	1
DRAWING NUMBER:	16106



NOTES:
 1. DEVICES DENOTED WITH AN ASTERISK (*) SHALL BE PROVIDED BY THE EQUIPMENT VENDOR.

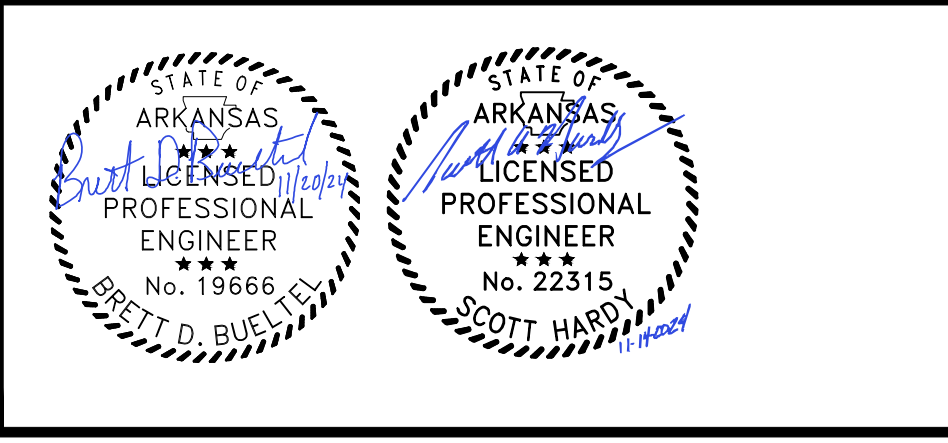
DAY TANK AND METERING PUMPS CONTAINMENT AREA

GMP SUBMITTAL. DO NOT USE FOR CONSTRUCTION.

File: C:\USERS\BHARRIS\APPDATA\LOCAL\AUTOCAD\PLANT_3D\COLLABORATION\CACHE\B0711-001_WILSON WTP REHAB FILTER BASIN\PID DIV\6107 Saved by BHARRIS Save date: 11/15/2024 3:55 PM
 PLOT DATE: 11/19/2024 10:22 AM BY: BHARRIS

REV	ISSUED FOR	DATE	BY

PROJECT MANAGER:	T. HUDSON
DESIGNED BY:	S. ZOMORODI
DRAWN BY:	B. HARRIS
PROJECT ENGINEER:	S. ZOMORODI
IF THIS BAR DOES NOT MEASURE 1" THEN DRAWING IS NOT TO FULL SCALE	

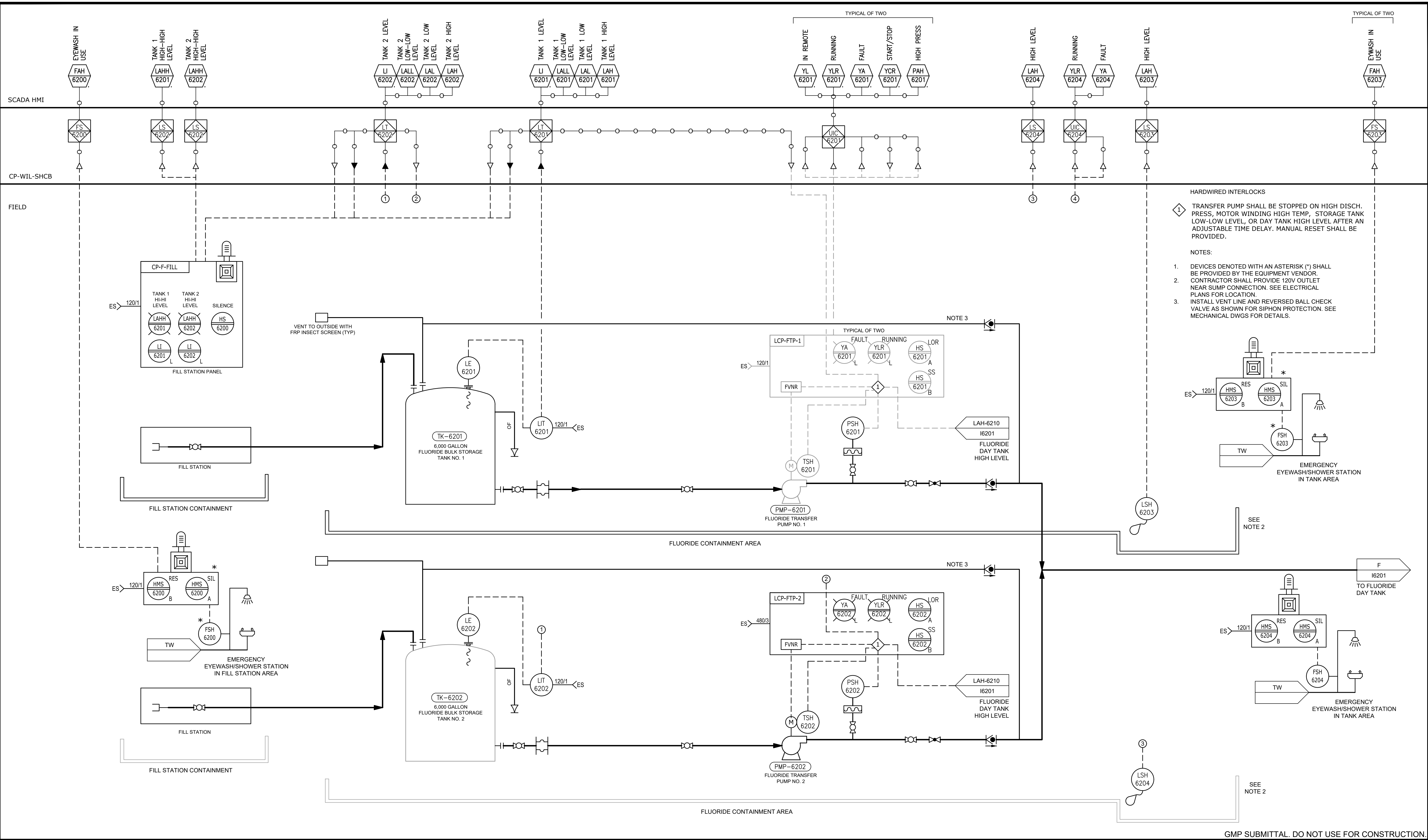


Hazen
 HAZEN AND SAWYER
 8150 N. CENTRAL EXPRESSWAY
 TOWER II - SUITE 700
 DALLAS, TEXAS 75206

CENTRAL ARKANSAS WATER
 LITTLE ROCK, ARKANSAS
 JACK H. WILSON WTP RENEWAL AND
 RESILIENCY PROJECT

INSTRUMENTATION
 ZOP METERING PUMPS AND DAY TANK
 P&ID

DATE:	NOVEMBER 2024
HAZEN NO.:	60711-003
CONTRACT NO.:	1
DRAWING NUMBER:	16107



HARDWIRED INTERLOCKS

1. TRANSFER PUMP SHALL BE STOPPED ON HIGH DISCH. PRESS, MOTOR WINDING HIGH TEMP, STORAGE TANK LOW-LOW LEVEL, OR DAY TANK HIGH LEVEL AFTER AN ADJUSTABLE TIME DELAY. MANUAL RESET SHALL BE PROVIDED.

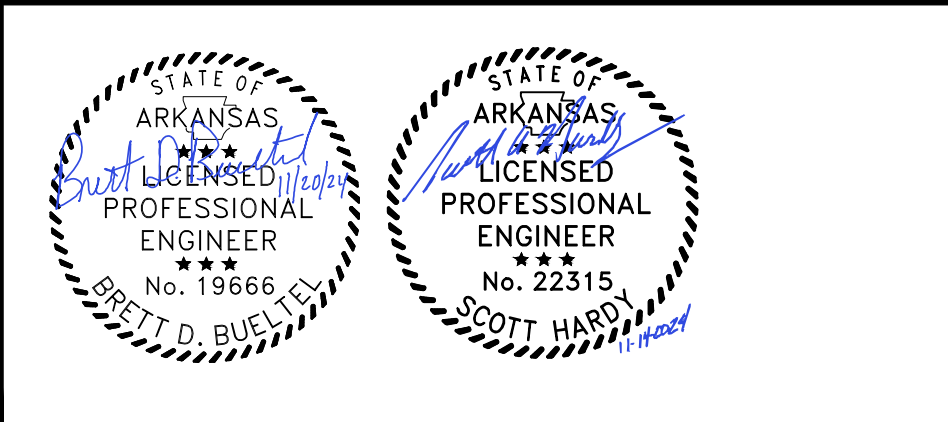
NOTES:

- DEVICES DENOTED WITH AN ASTERISK (*) SHALL BE PROVIDED BY THE EQUIPMENT VENDOR.
- CONTRACTOR SHALL PROVIDE 120V OUTLET NEAR SUMP CONNECTION. SEE ELECTRICAL PLANS FOR LOCATION.
- INSTALL VENT LINE AND REVERSED BALL CHECK VALVE AS SHOWN FOR SIPHON PROTECTION. SEE MECHANICAL DWGS FOR DETAILS.

GMP SUBMITTAL. DO NOT USE FOR CONSTRUCTION.

REV	ISSUED FOR	DATE	BY

PROJECT MANAGER:	T. HUDSON
DESIGNED BY:	S. ZOMORODI
DRAWN BY:	B. HARRIS
PROJECT ENGINEER:	S. ZOMORODI
IF THIS BAR DOES NOT MEASURE 1" THEN DRAWING IS NOT TO FULL SCALE	0 1/2" 1"



Hazen

HAZEN AND SAWYER
8150 N. CENTRAL EXPRESSWAY
TOWER II - SUITE 700
DALLAS, TEXAS 75206

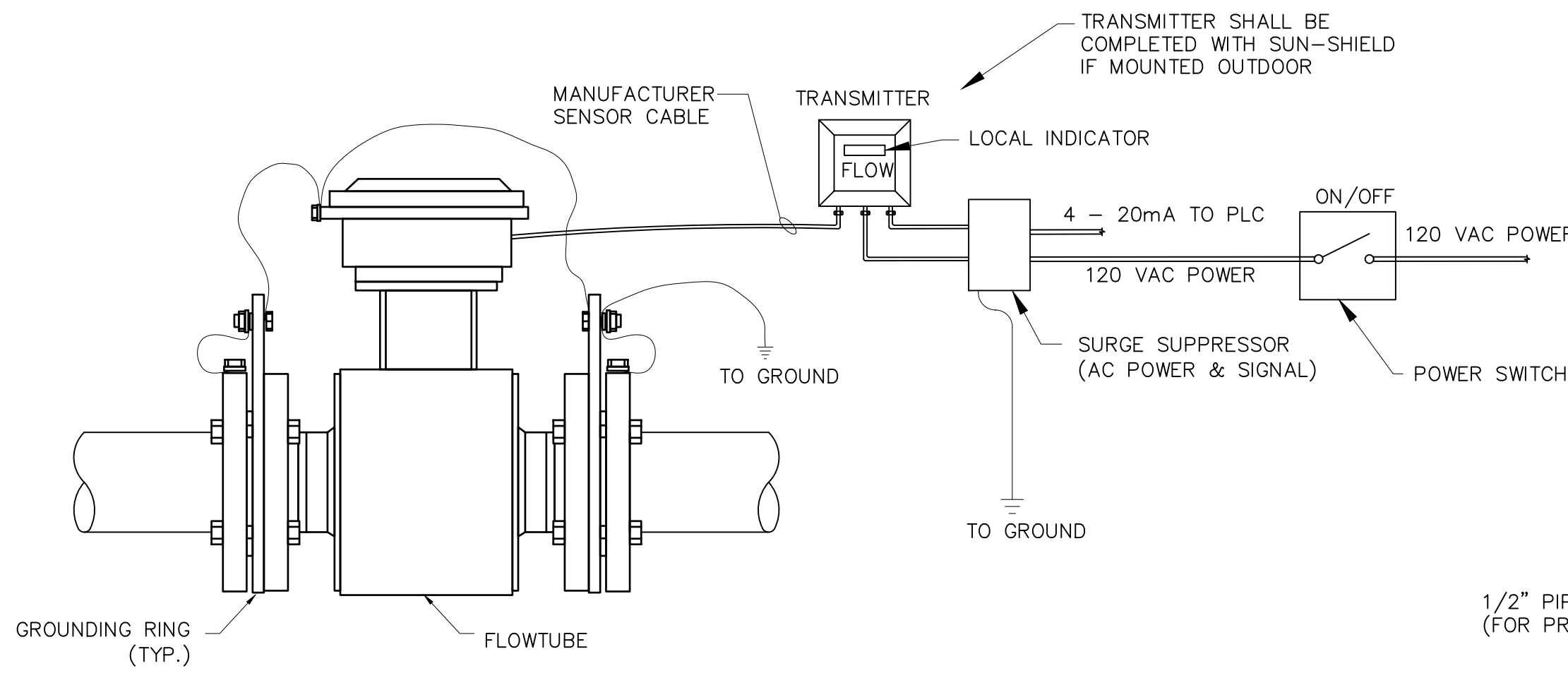
CENTRAL ARKANSAS WATER
LITTLE ROCK, ARKANSAS

JACK H. WILSON WTP RENEWAL AND RESILIENCY PROJECT

INSTRUMENTATION
FLUORIDE STORAGE TANKS P&ID

DATE:	NOVEMBER 2024
HAZEN NO.:	60711-003
CONTRACT NO.:	1
DRAWING NUMBER:	16200

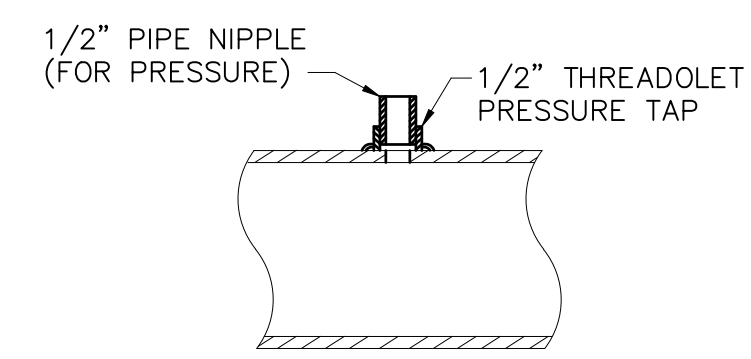
File: C:\USERS\BHARRIS\APPDATA\LOCAL\AUTODESK\AUTOCAD PLANT 3D\COLLABORATION\CACHE\I60711-001_WILSON WTP REHAB FILTER BASIN\FID DIV\I6200 Saved by BHARRIS Save date: 11/14/2024 10:31 AM
PLOT DATE: 11/19/2024 10:22 AM BY: BHARRIS



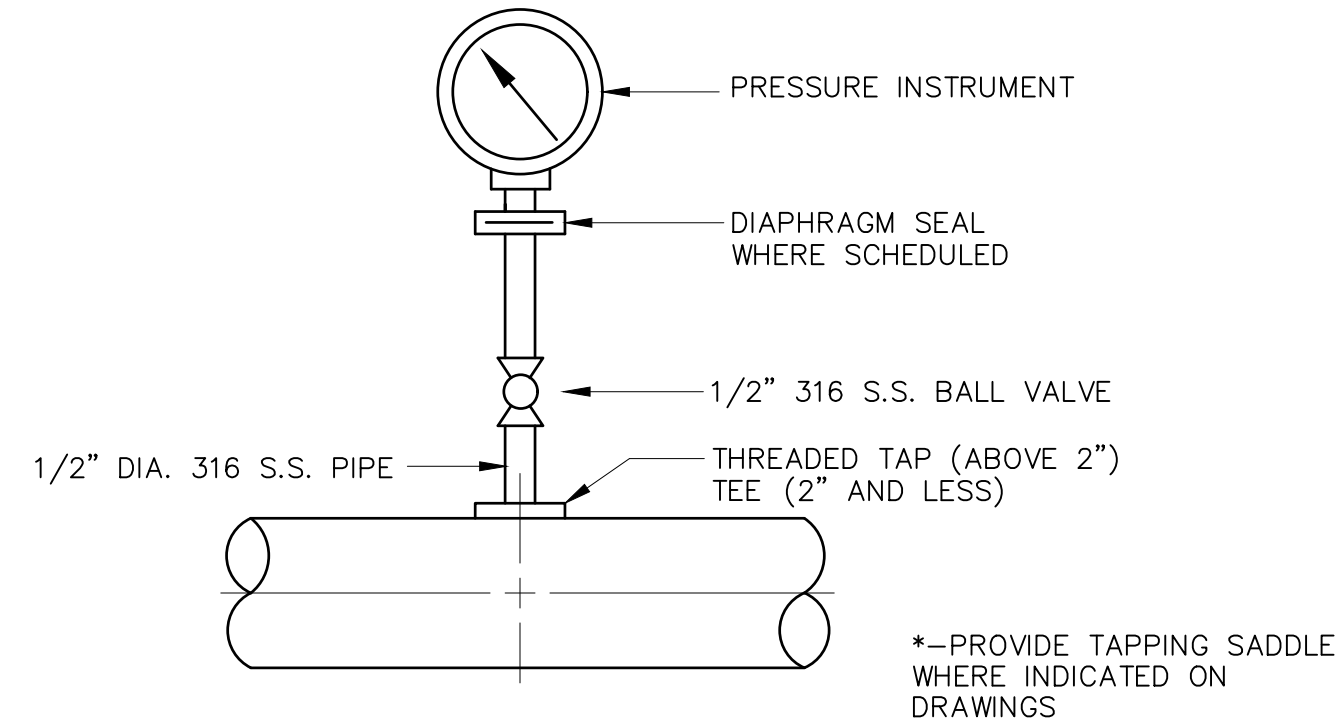
NOTES:

1. ALL MATERIALS OF CONSTRUCTION FOR METALLIC WETTED PARTS (ELECTRODES, GROUNDING RINGS, ETC.) SHALL BE MINIMUM 316 STAINLESS STEEL, BUT SHALL BE COMPATIBLE WITH THE PROCESS FLUID FOR EACH METER IN ACCORDANCE WITH THE RECOMMENDATIONS OF THE MANUFACTURER.
2. GASKETS NOT SHOWN. PROVIDE PER SPECIFICATIONS.

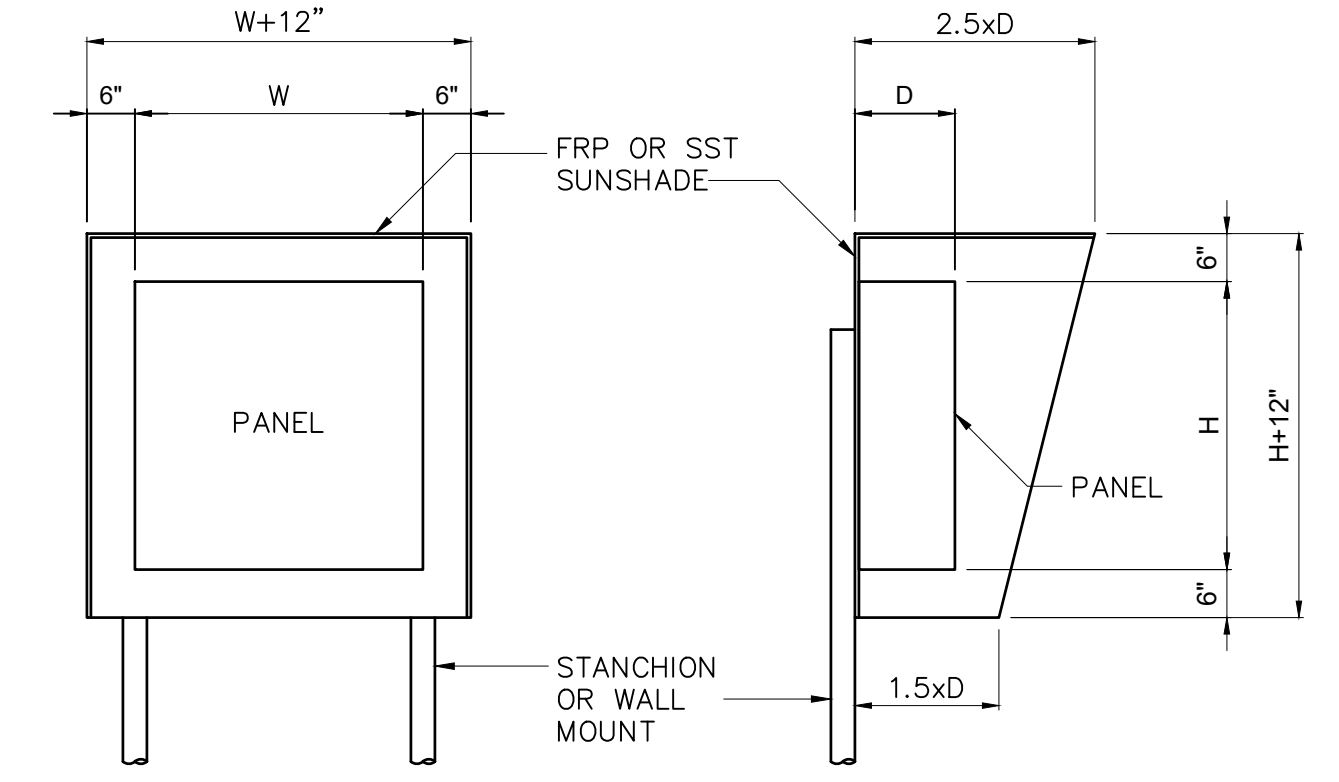
MAGNETIC FLOW METER
I-40-0106



PRESSURE TAP
I-40-0301



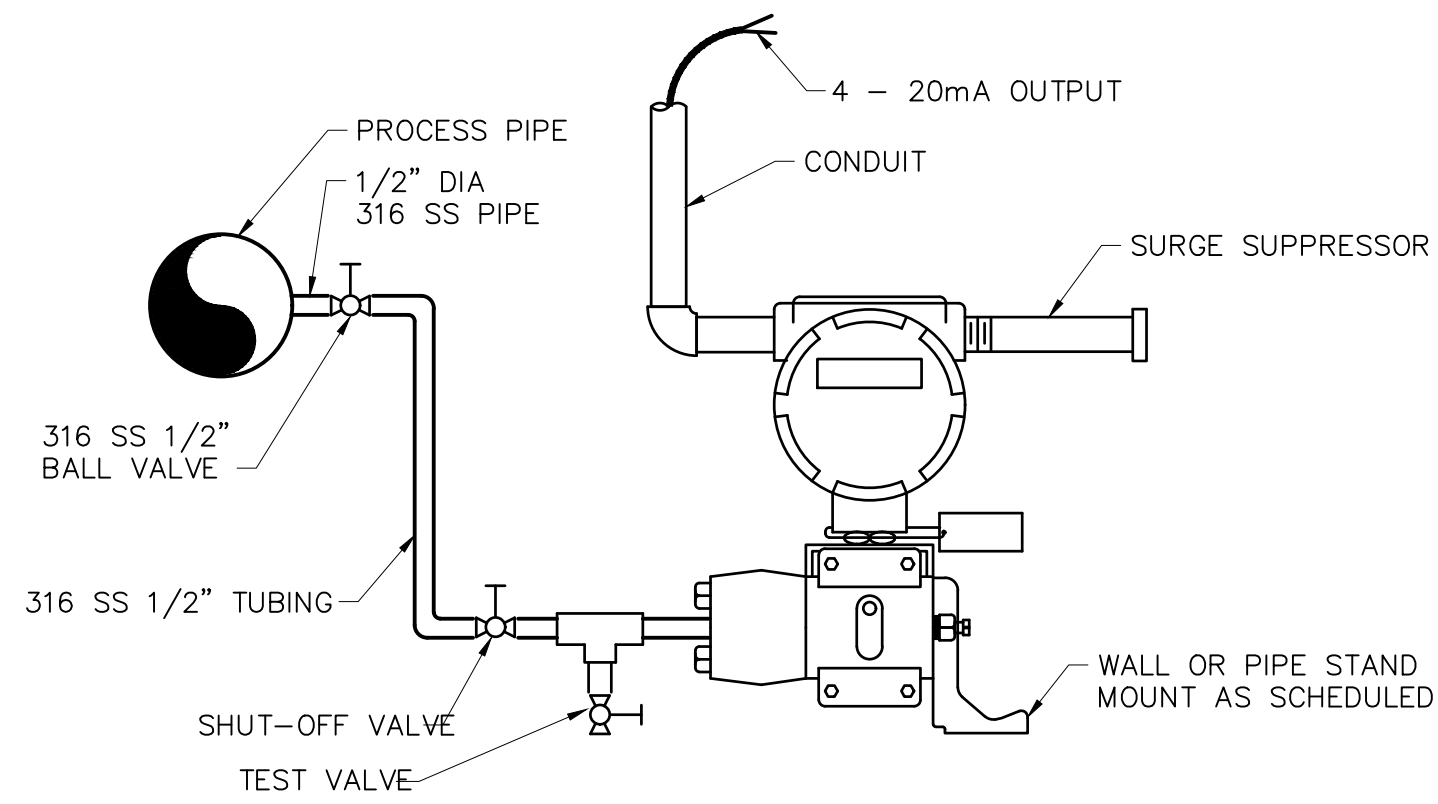
PRESSURE GAUGE OR SWITCH
INSTALLATION WITH THREADED TAP
USED FOR PIPES 2" AND LARGER
I-40-0302



SUNSHADE FOR OUTDOOR PANELS
I-40-1003

NOTES:

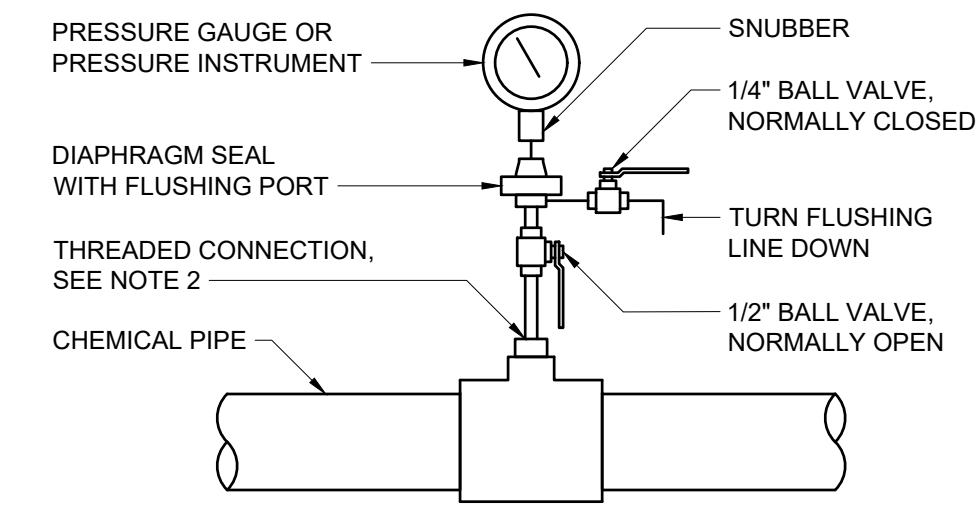
1. PANELS SHALL BE PROVIDED WITH SUNSHADES AS SPECIFIED OR AS SHOWN ON THE DRAWINGS.
2. SUNSHADES SHALL BE FRP, STYLE E AS MANUFACTURED BY O'BRIEN CORPORATION, OR EQUAL, OR FABRICATED FROM 10 GAUGE TYPE 304 STAINLESS STEEL. WHERE PRACTICAL, PANELS AND INSTRUMENTS SHALL BE MOUNTED IN A NORTH FACING DIRECTION.
3. CONTRACTOR SHALL VERIFY PANEL SIZE BEFORE CONSTRUCTION OF SUNSHADE AND MODIFY AS REQUIRED TO PROTECT PANELS FROM THE EFFECTS OF SOLAR HEAT GAIN.
4. SUNSHADES SHALL BE SUITABLE FOR WALL OR STAND MOUNTING.



NOTES:

1. ALL PRESSURE TRANSMITTERS (PIT) SHALL BE INSTALLED AS IDENTIFIED ABOVE.
2. INSTRUMENT SHALL BE INSTALLED SO THAT AIR IS NOT ENTRAPPED WITHIN THE INSTRUMENT

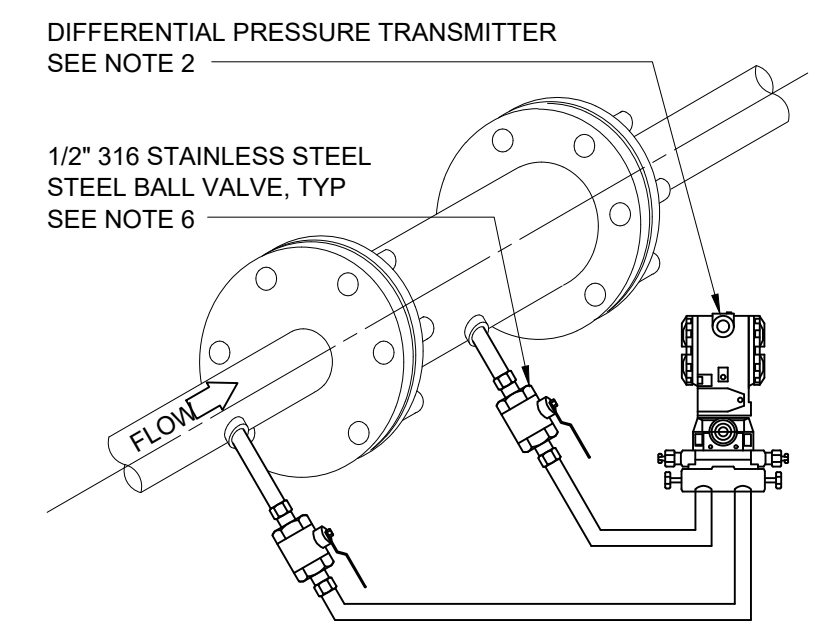
PRESSURE
TRANSMITTER
I-40-0302A



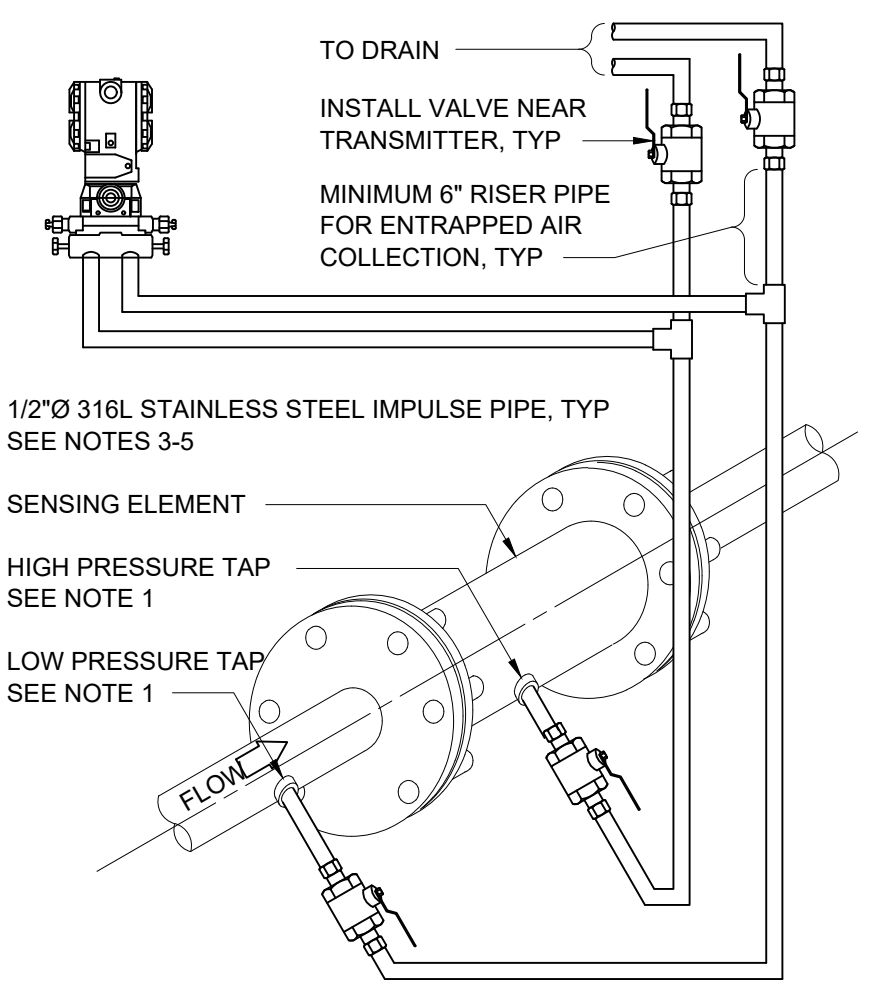
NOTES:

1. ALL COMPONENTS SHALL BE 316 SST OR HASTELLOY C, DEPENDENT ON CHEMICAL COMPATIBILITY STANDARDS. FITTINGS SHALL BE THREADED. BALL VALVES SHALL BE FULL PORT WITH LEVER STYLE HANDLE.
2. ASSEMBLY SHALL BE MOUNTED TO CHEMICAL PIPE WITH A THREADED FACTORY WELDED BOSS ON SST PIPE SYSTEMS, OR TEE WITH APPROPRIATE SIZED REINFORCED THREADED BUSHING FOR PVC OR CPVC PIPE SYSTEMS
3. FLUSHING LINE, VALVE HANDLES AND GAUGE/INSTRUMENT ARE SHOWN ROTATED FOR CLARITY. CONTRACTOR SHALL ARRANGE COMPONENTS FOR EASY ACCESS TO VALVE HANDLES. WITH GAUGE ORIENTED FOR PROPER READING FROM OPTIMUM OPERATOR STANCE. GENERALLY, FLUSHING LINE SHOULD BE ORIENTED ON THE OPPOSITE SIDE OF THE GAUGE.

DIAPHRAGM SEAL FOR
CHEMICAL SERVICE
I-40-0803



DIFFERENTIAL PRESSURE TRANSMITTER
IMPULSE PIPE ROUTES - LIQUID SERVICE
I-40-0311



TRANSMITTER LOCATED ABOVE PIPE

NOTES:

1. LOCATE TAPS SUCH THAT THEY ARE BELOW THE CENTERLINE OF THE PIPE.
2. REFER TO DETAIL 1770002 FOR TRANSMITTER INSTALLATION REQUIREMENTS.
3. IMPULSE PIPE MATERIAL SHALL BE COMPATIBLE WITH PROCESS MEDIA (CHEMICAL SERVICE).
4. IMPULSE PIPING SHALL HAVE MINIMUM 1 INCH PER FOOT DOWNWARD SLOPE TOWARD TRANSMITTER, EXCEPT THE LABELED RISER/AIR PURGE PIPING.
5. PROVIDE SUPPORTS FOR IMPULSE PIPING AS REQUIRED.
6. VALVE MATERIALS OF CONSTRUCTION SHALL BE COMPATIBLE WITH PROCESS MEDIA (CHEMICAL SERVICE).

File: C:\USERS\BHARRIS\APPDATA\LOCAL\AUTODESK\AUTOCAD PLANT 3D\COLLABORATION\CACHE\B0711-001_WILSON WTP REHAB FILTER BASIN\PID DIV\GID0001 Saved by BHARRIS Save date: 11/19/2024 9:41 AM
PLOT DATE: 11/19/2024 10:23 AM BY: BHARRIS

REV	ISSUED FOR	DATE	BY

PROJECT MANAGER:	T. HUDSON
DESIGNED BY:	S. ZOMORODI
DRAWN BY:	B. HARRIS
PROJECT ENGINEER:	S. ZOMORODI
IF THIS BAR DOES NOT MEASURE 1" THEN DRAWING IS NOT TO FULL SCALE	0 1/2" 1"



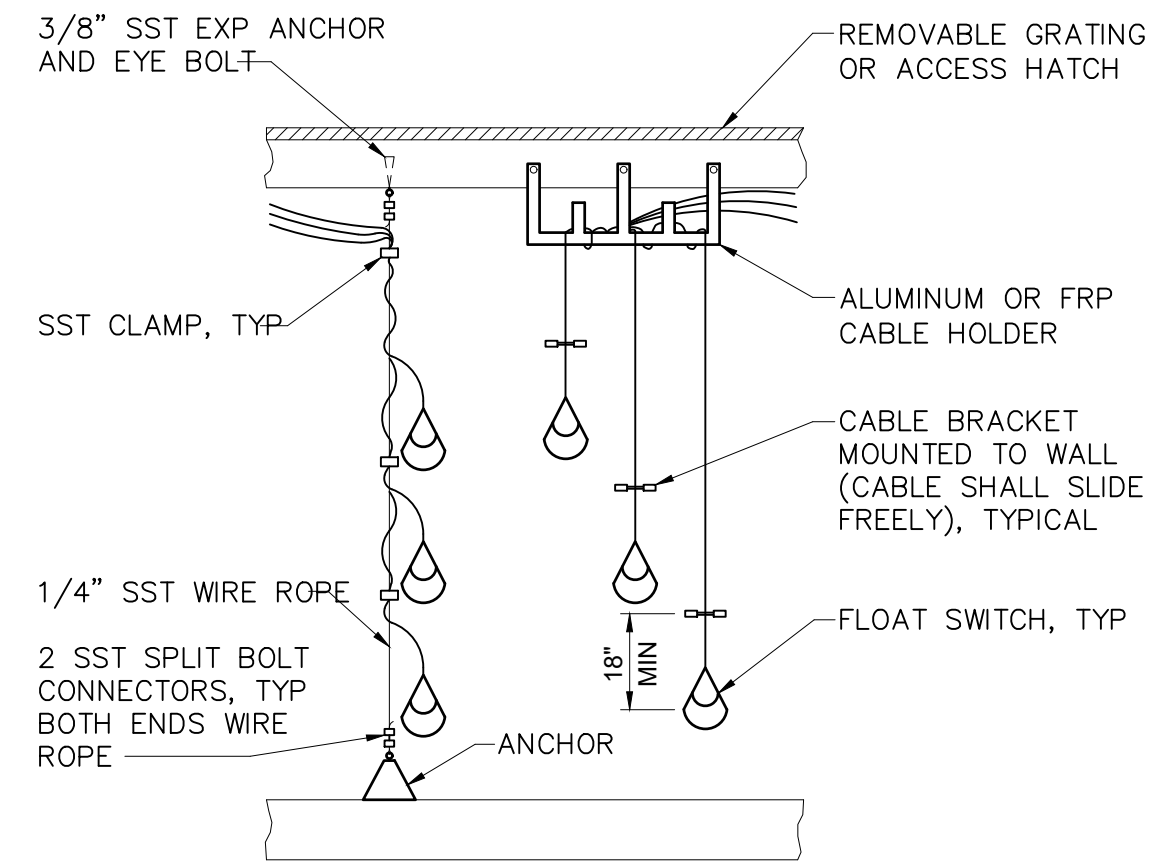
Hazen
HAZEN AND SAWYER
8150 N. CENTRAL EXPRESSWAY
TOWER II - SUITE 700
DALLAS, TEXAS 75206

CENTRAL ARKANSAS WATER
LITTLE ROCK, ARKANSAS
JACK H. WILSON WTP RENEWAL AND
RESILIENCY PROJECT

INSTRUMENTATION
STANDARD DETAILS SHEET 1

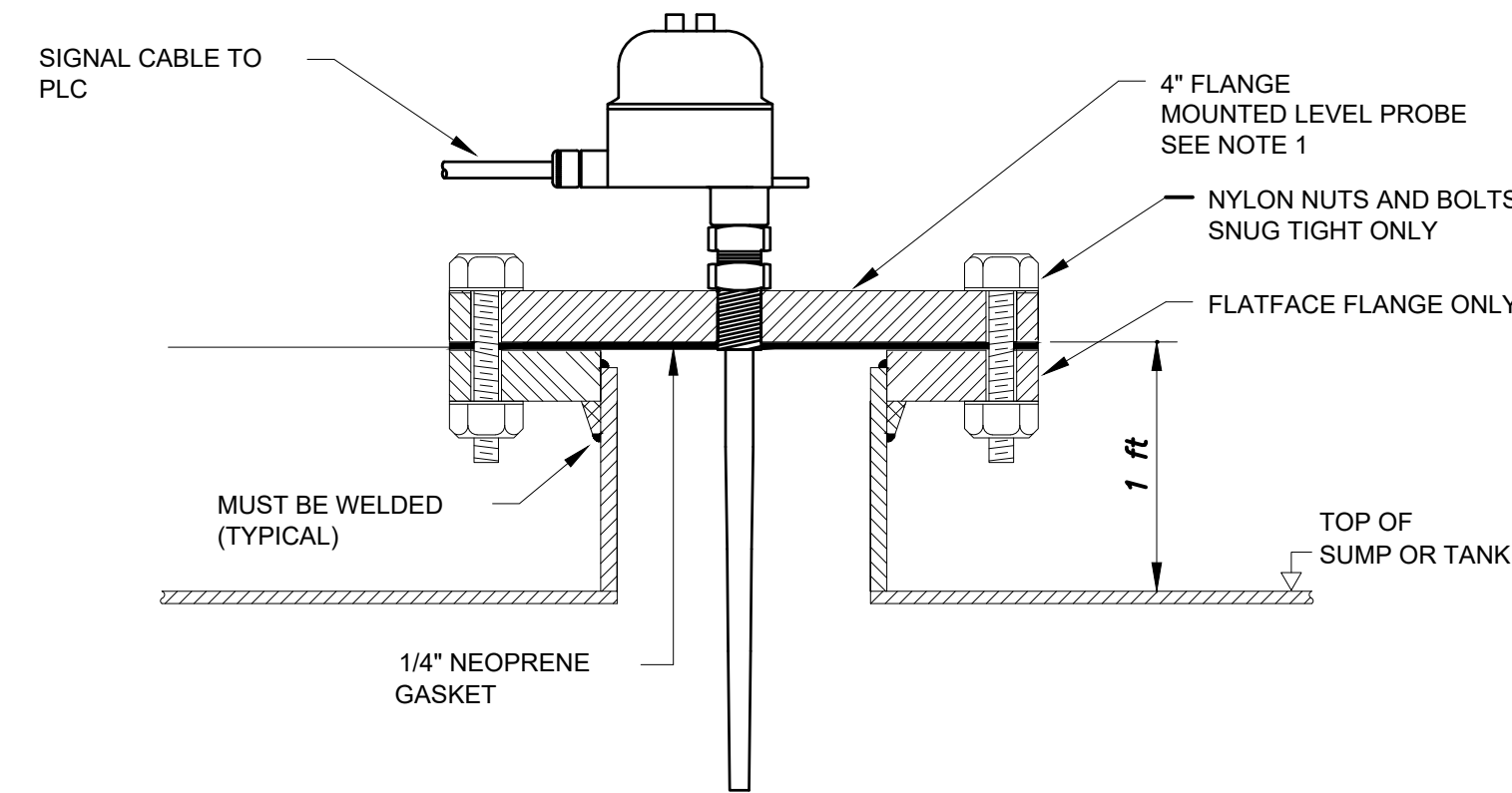
DATE:	NOVEMBER 2024
HAZEN NO.:	60711-003
CONTRACT NO.:	1
DRAWING NUMBER:	10001

GMP SUBMITTAL. DO NOT USE FOR CONSTRUCTION.



TYPICAL LEVEL SWITCH MOUNTING DETAILS

I-40-0201

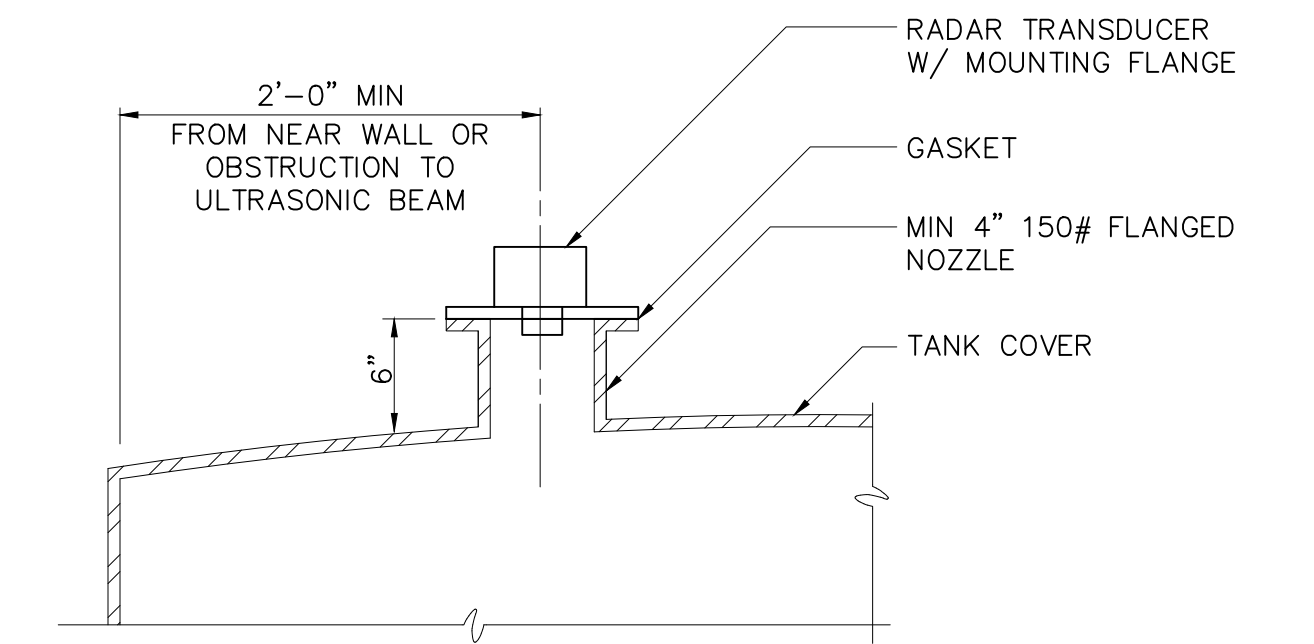


NOTES:

- SUPPLY 4" DIA FLANGE, DRILL AND TAP FOR 20 NPT THREAD 150 CLASS FLANGE BOLT PATTERN.

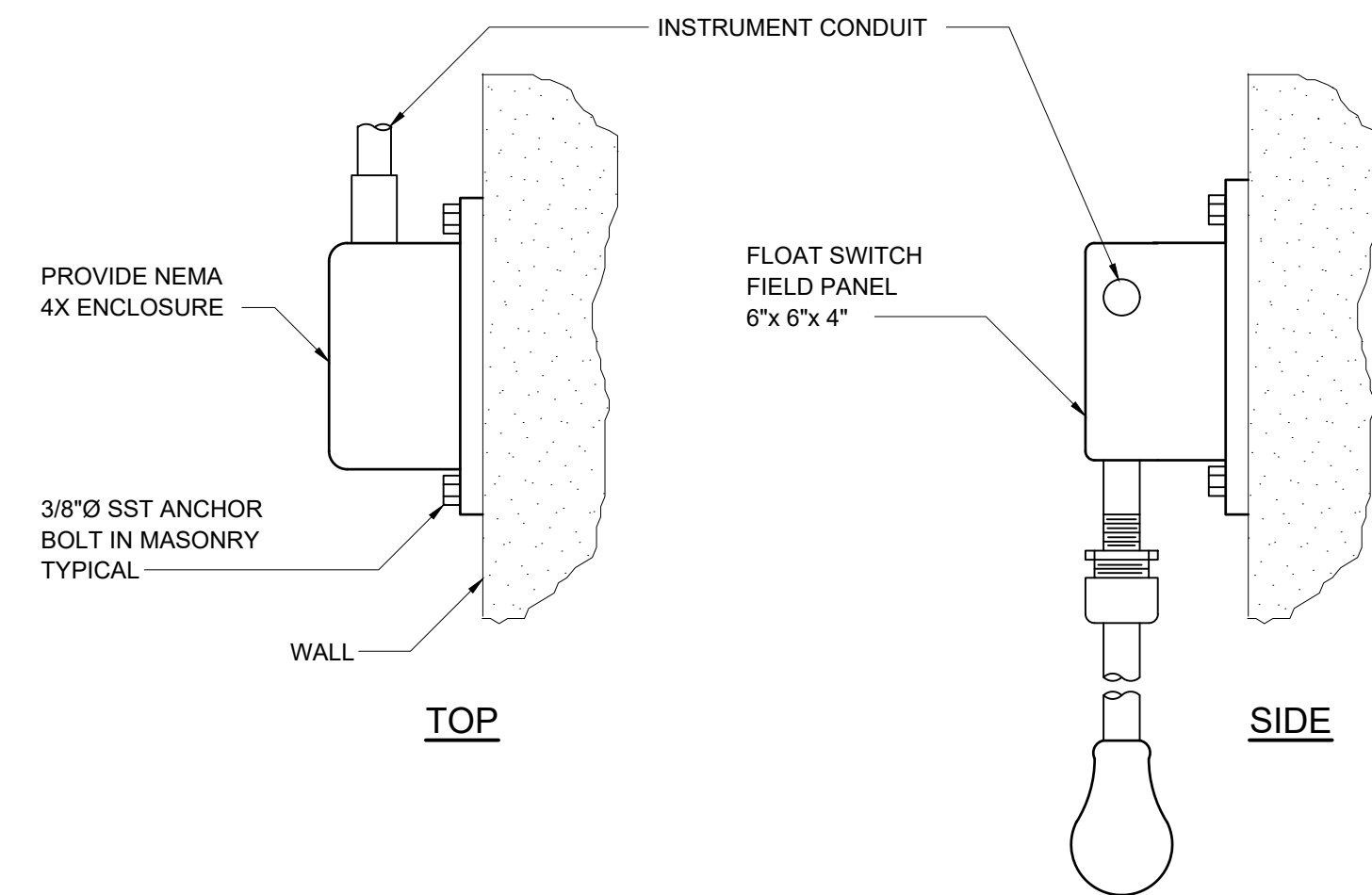
HIGH LIQUID ALARM CAPACITANCE LEVEL SWITCH MOUNTING DETAIL

I-40-0203A



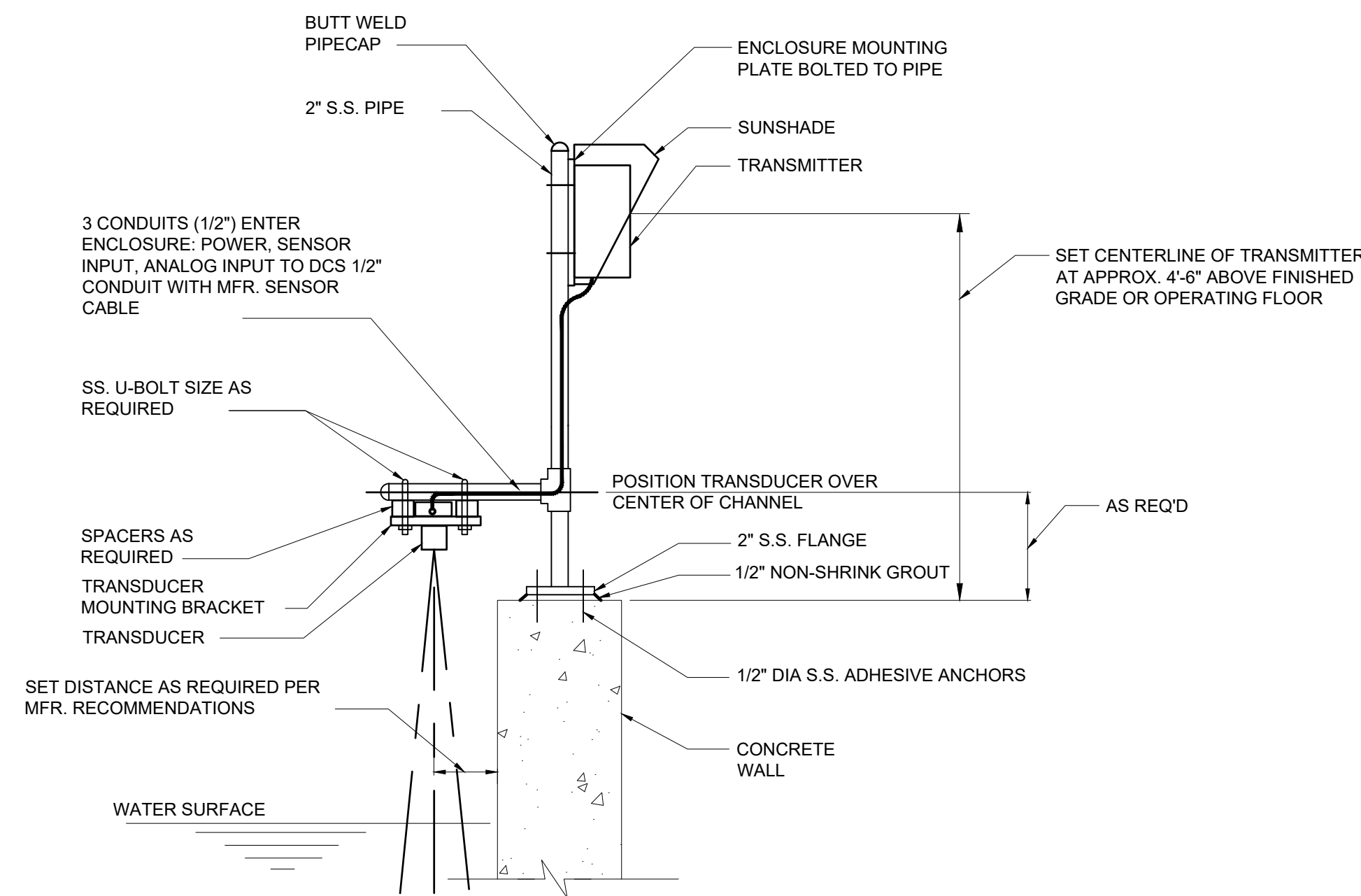
RADAR LEVEL TRANSDUCER TANK MOUNTING DETAIL

I-40-0215



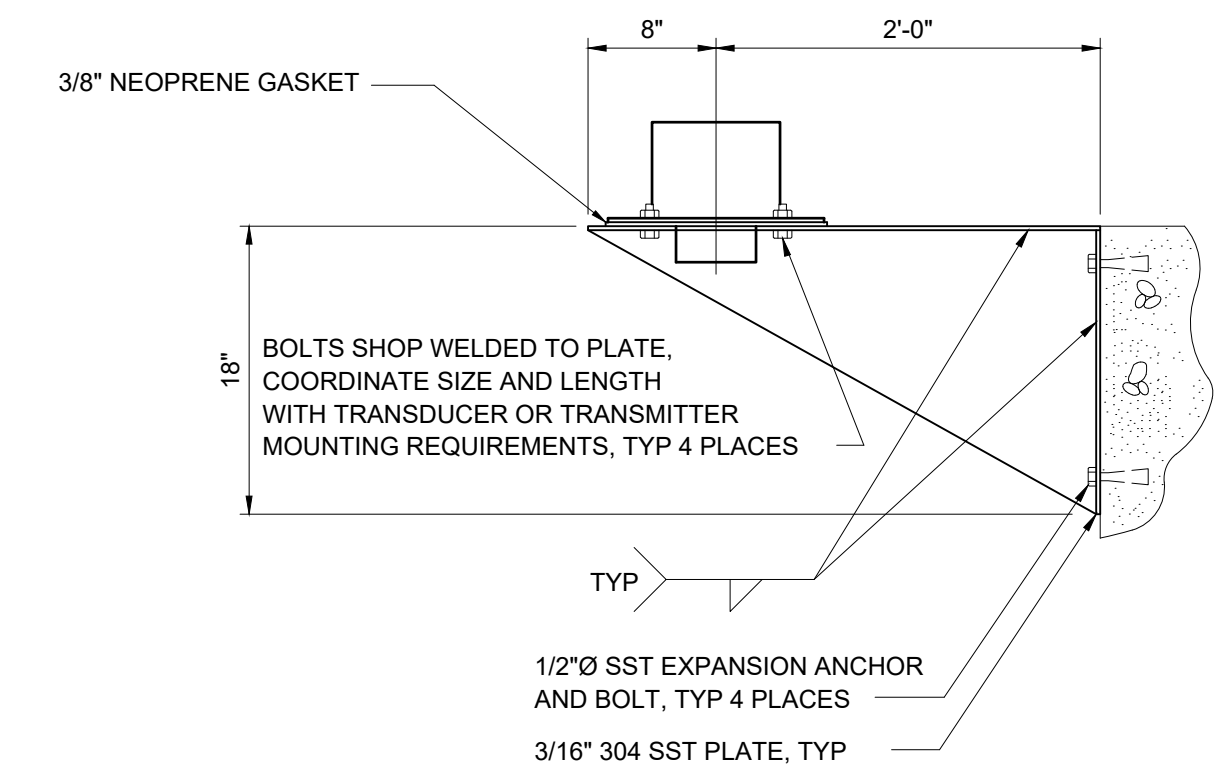
WALL MOUNTED FLOAT SWITCH DETAIL

I-40-0202



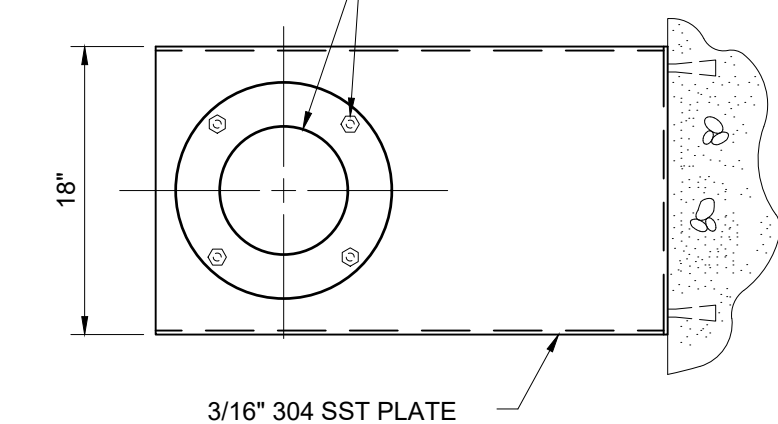
SLAB-MOUNTED RADAR LEVEL TRANSDUCER

I-40-0217



SECTION

COORDINATE HOLE LOCATIONS AND SIZES WITH TRANSDUCER OR TRANSMITTER MOUNTING REQUIREMENTS



PLAN VIEW

RADAR LEVEL TRANSDUCER WALL MOUNTING DETAIL

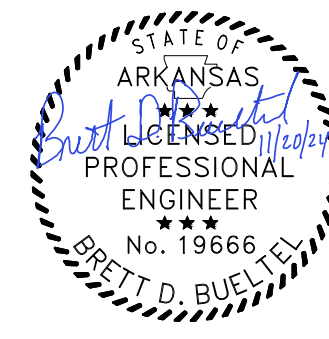
I-40-0212

File: C:\USERS\BHARRIS\APPDATA\LOCAL\AUTODESK\AUTOCAD PLANT 3D\COLORLABORATION\CACHE\B0711-001_WILSON WTP REHAB FILTER BASIN\PIID DIV\010002.dwg saved by SZOMORODI Sawa date: 10/10/2024 9:26 PM PLOT DATE: 11/19/2024 10:23 AM BY: BHARRIS

GMP SUBMITTAL. DO NOT USE FOR CONSTRUCTION.

REV	ISSUED FOR	DATE	BY

PROJECT MANAGER:	T. HUDSON
DESIGNED BY:	S. ZOMORODI
DRAWN BY:	B. HARRIS
PROJECT ENGINEER:	S. ZOMORODI
IF THIS BAR DOES NOT MEASURE 1" THEN DRAWING IS NOT TO FULL SCALE	0 1/2" 1"



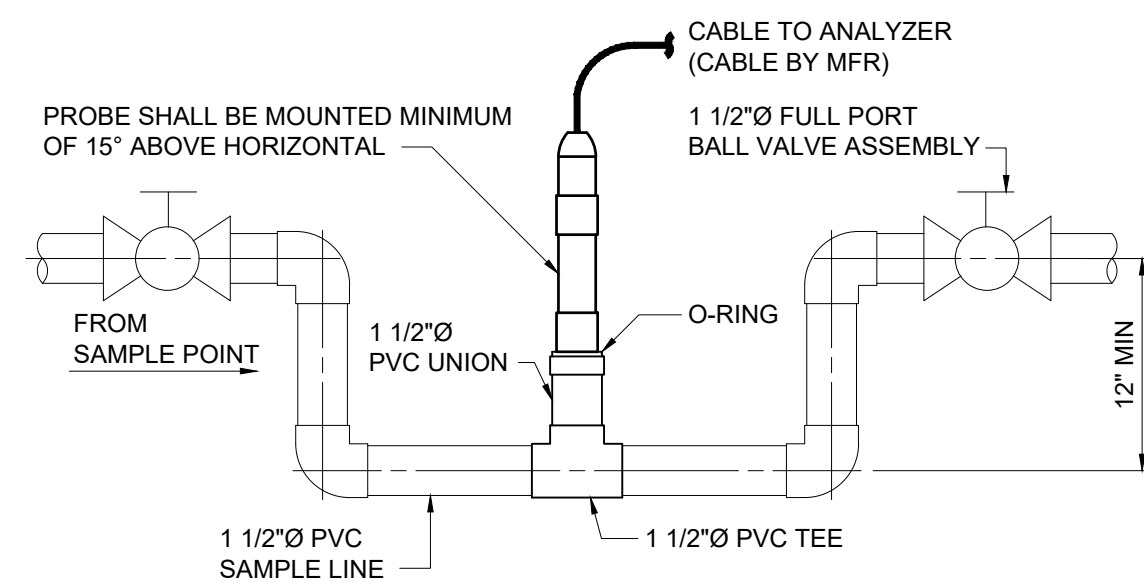
Hazen
HAZEN AND SAWYER
8150 N. CENTRAL EXPRESSWAY
TOWER II - SUITE 700
DALLAS, TEXAS 75206

CENTRAL ARKANSAS WATER
LITTLE ROCK, ARKANSAS

JACK H. WILSON WTP RENEWAL AND
RESILIENCY PROJECT

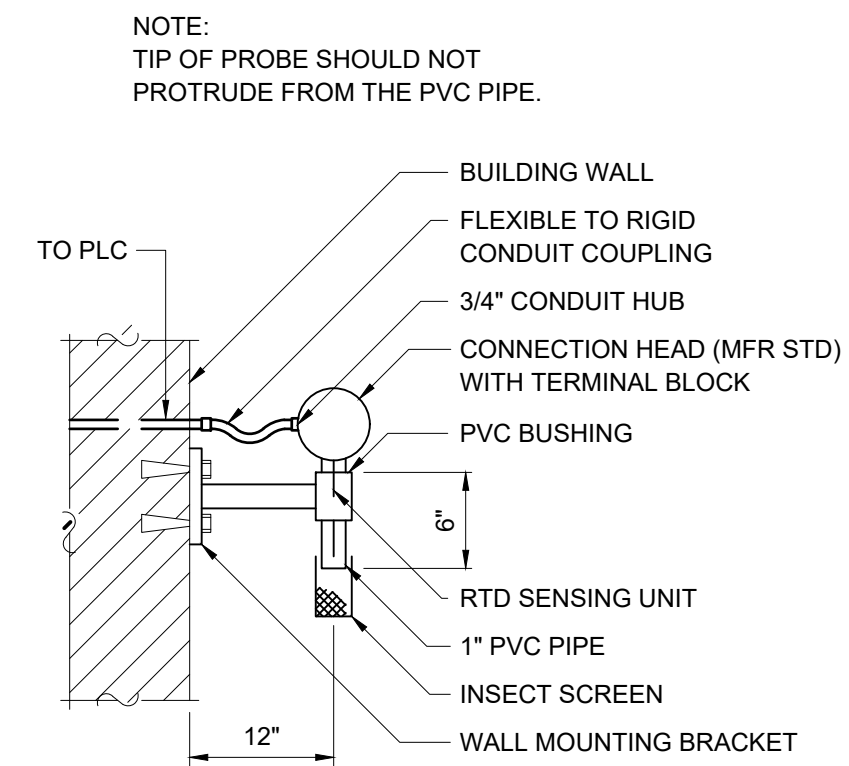
INSTRUMENTATION
STANDARD DETAILS SHEET 2

DATE:	NOVEMBER 2024
HAZEN NO.:	60711-003
CONTRACT NO.:	1
DRAWING NUMBER:	10002



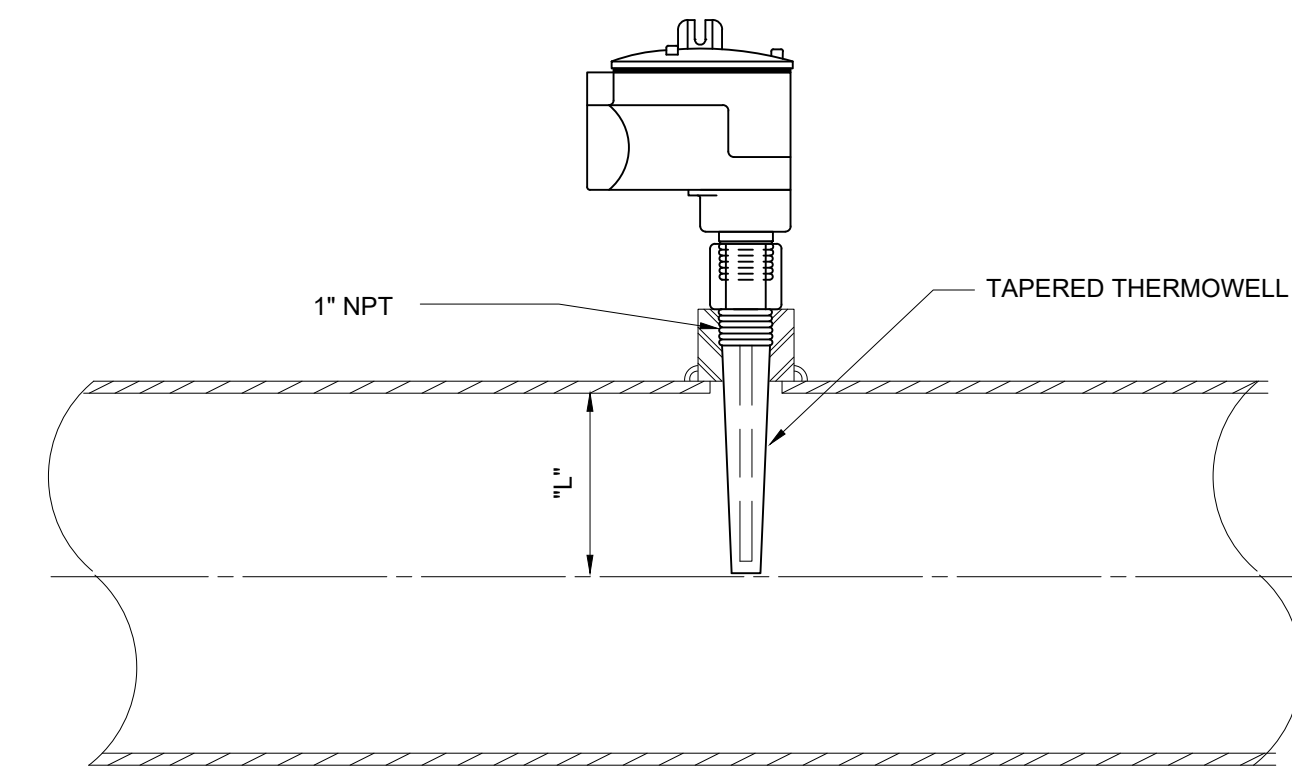
INLINE pH/ORP PROBE

I-40-0503



TYPICAL AMBIENT TEMPERATURE SENSING ELEMENT MOUNTED ON EXTERIOR WALL

I-40-0402

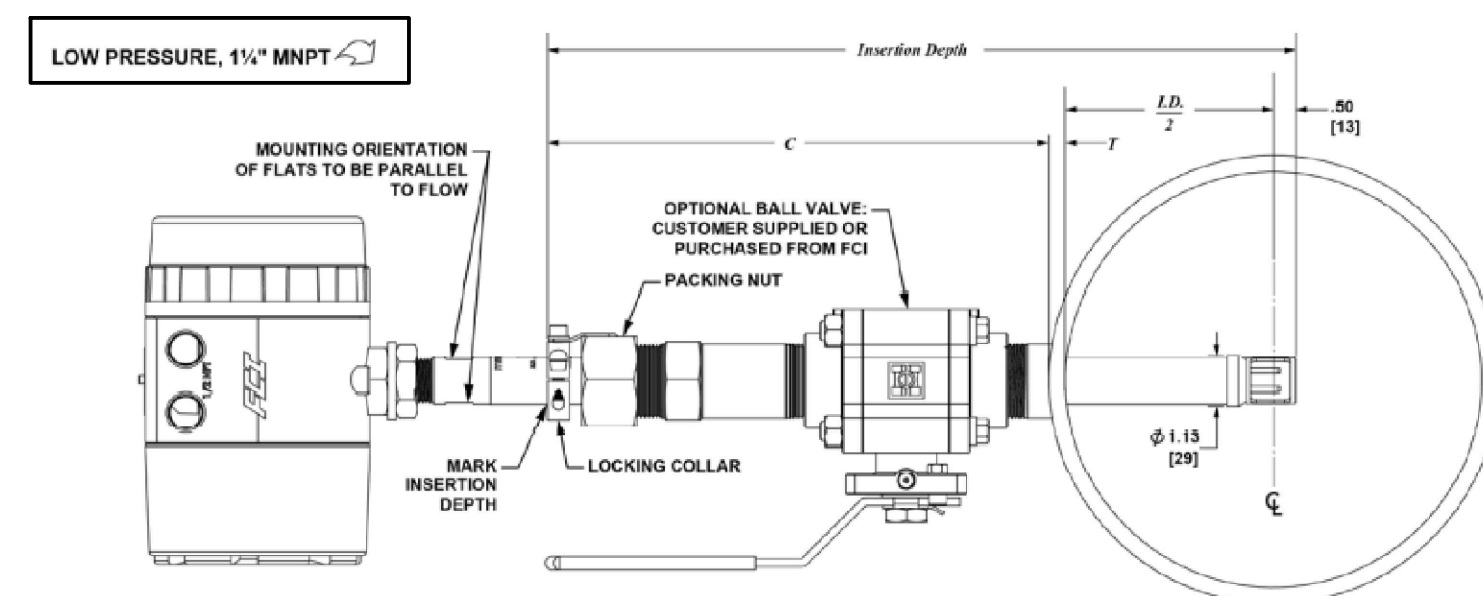


NOTES:

1. INSERTION LENGTH "L" SHALL BE AS FOLLOWS: FOR PIPES UP TO 6 INCHES "L" SHALL EQUAL 1/2 THE DIAMETER OF THE PIPE. FOR LARGER PIPES AND VESSELS "L" SHALL BE SIZED SO THAT IT EXTENDS 3 INCHES INTO THE PROCESS.

TYPICAL TEMPERATURE TRANSMITTER WITH THERMOWELL

I-40-0401R

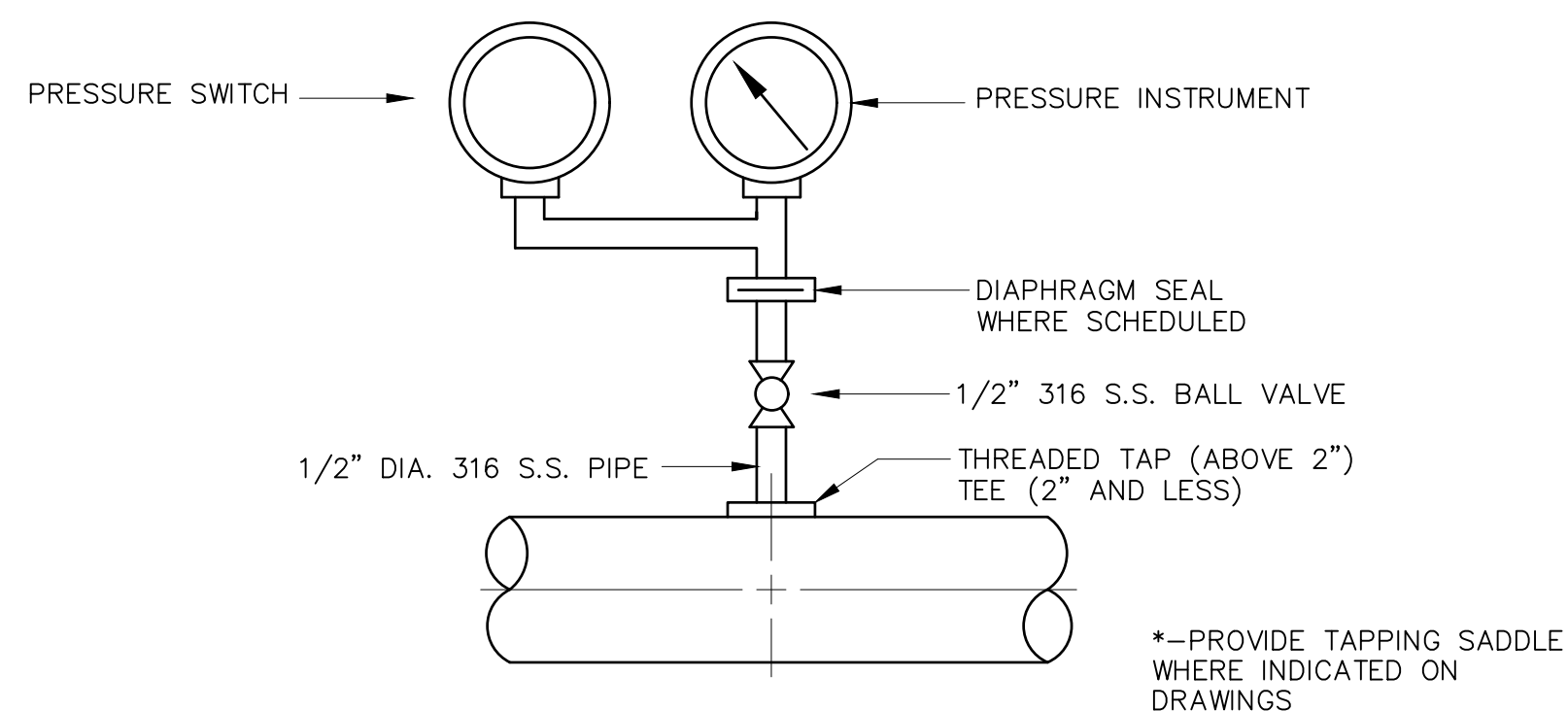


NOTES:

1. ALL STRUCTURAL STEEL & COMPONENTS SHALL BE 304L SS.
2. ALL ANCHORING & MOUNTING HARDWARE SHALL BE 316 SS.

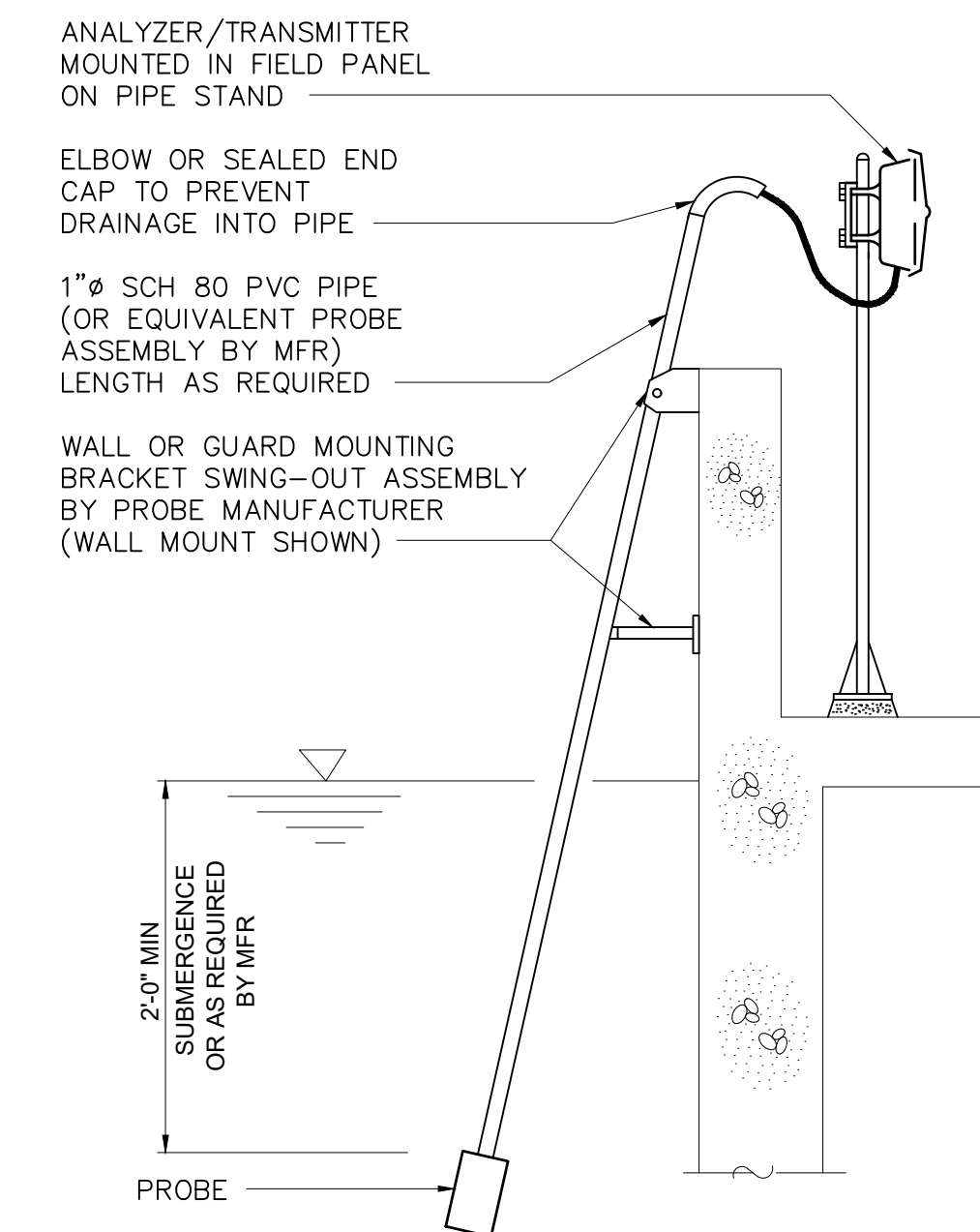
THERMAL MASS FLOW ELEMENT

I-40-0102T



PRESSURE GAUGE AND SWITCH INSTALLATION WITH THREADED TAP

I-40-0302A



ORP/pH PROBE IMMERSION MOUNTING

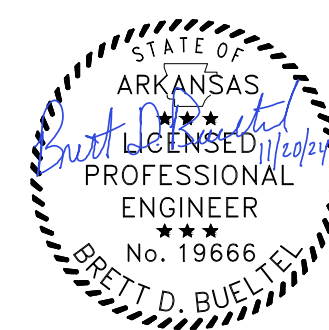
I-40-0505

File: C:\USERS\BHARRIS\APPDATA\LOCAL\AUTODESK\AUTOCAD PLANT 3D\COLLABORATION\CACHE\B0711-001_WILSON WTP REHAB FILTER BASIN\PIID DIV\ID0003 Saved by BHARRIS Save date: 11/19/2024 9:41 AM PLOT DATE: 11/19/2024 10:23 AM BY: BHARRIS

GMP SUBMITTAL. DO NOT USE FOR CONSTRUCTION.

REV	ISSUED FOR	DATE	BY

PROJECT MANAGER:	T. HUDSON
DESIGNED BY:	S. ZOMORODI
DRAWN BY:	B. HARRIS
PROJECT ENGINEER:	S. ZOMORODI
IF THIS BAR DOES NOT MEASURE 1" THEN DRAWING IS NOT TO FULL SCALE	0 1/2" 1"



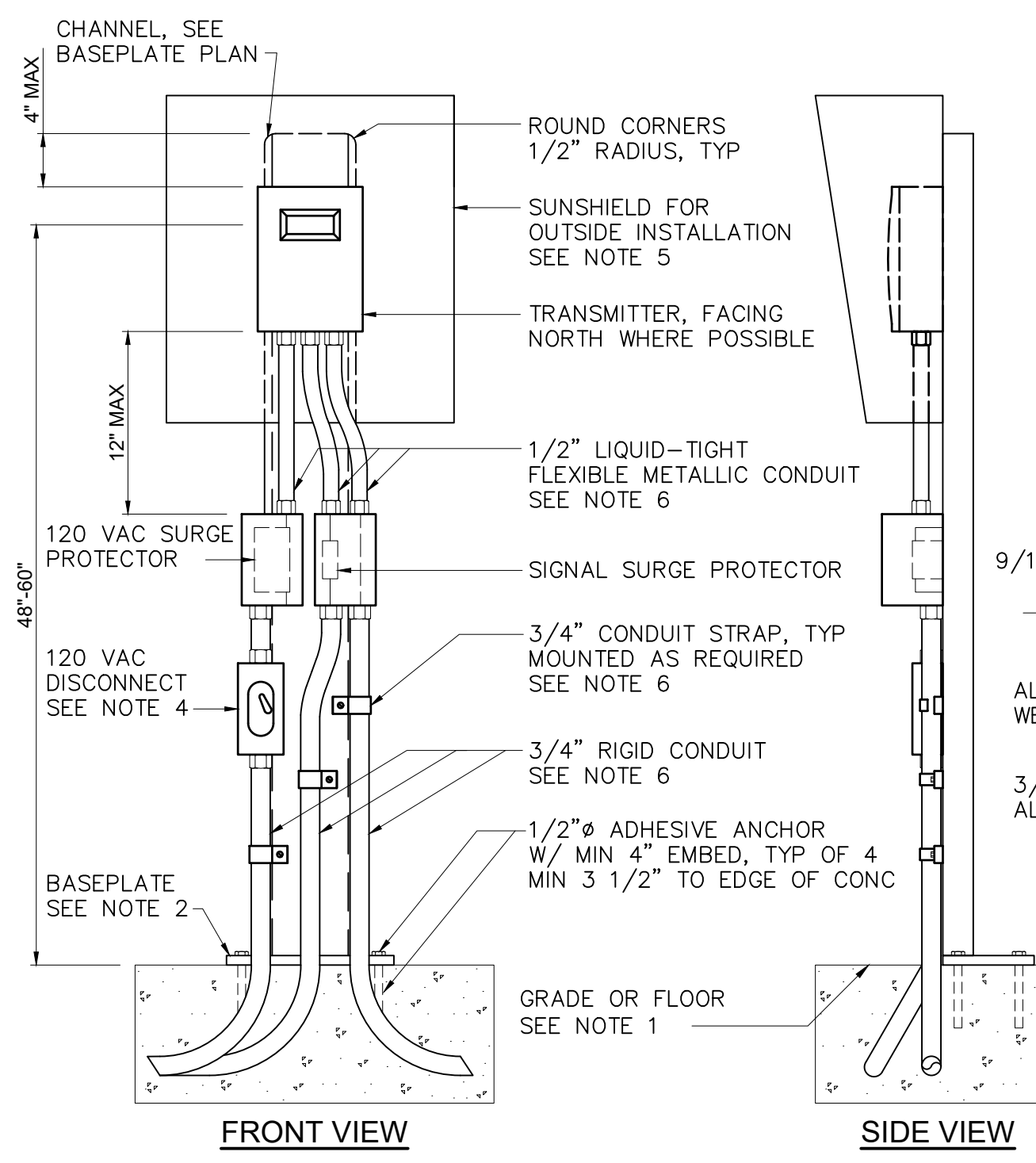
Hazen
HAZEN AND SAWYER
8150 N. CENTRAL EXPRESSWAY
TOWER II - SUITE 700
DALLAS, TEXAS 75206

CENTRAL ARKANSAS WATER
LITTLE ROCK, ARKANSAS

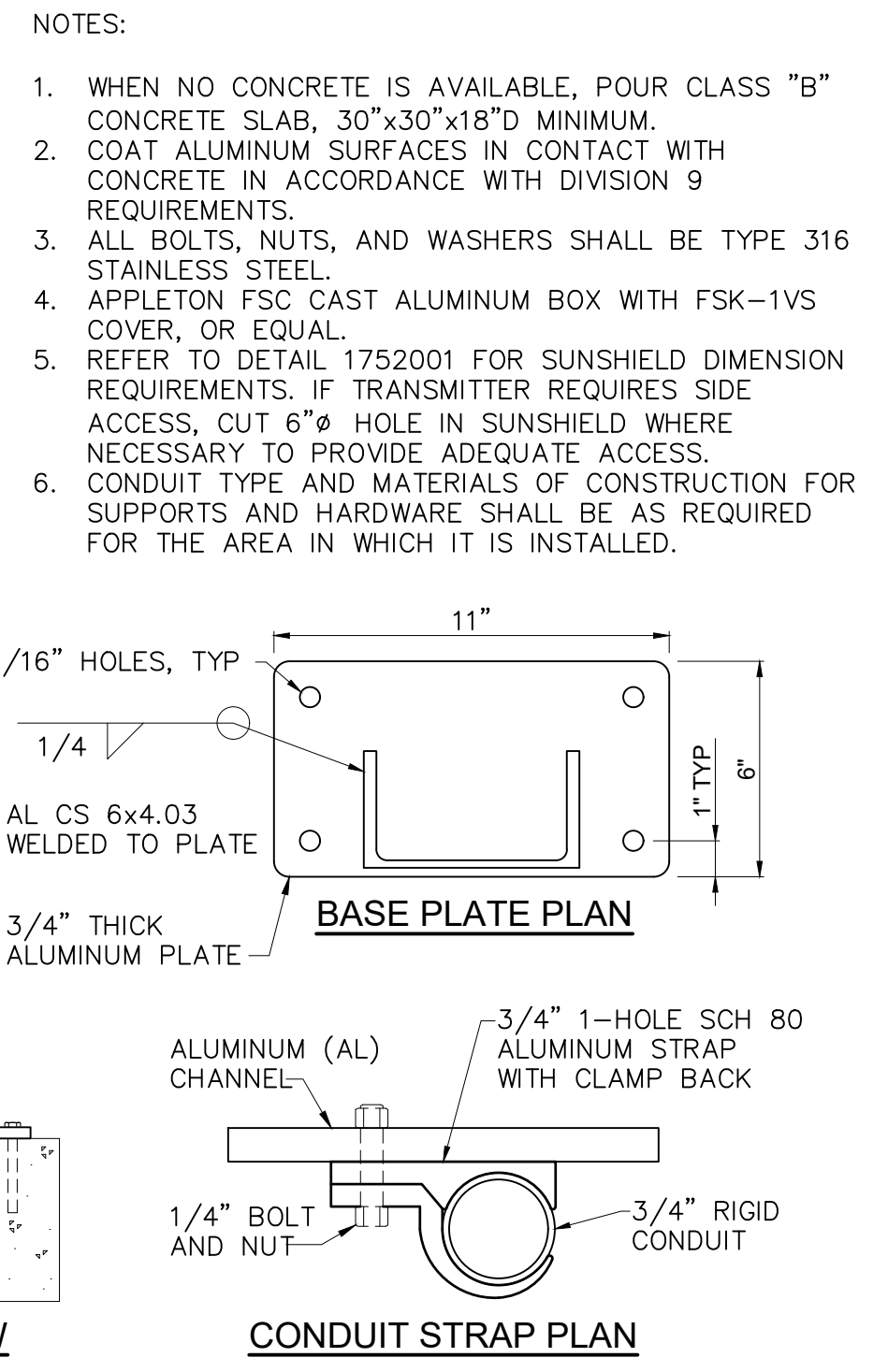
JACK H. WILSON WTP RENEWAL AND
RESILIENCY PROJECT

INSTRUMENTATION
STANDARD DETAILS SHEET 3

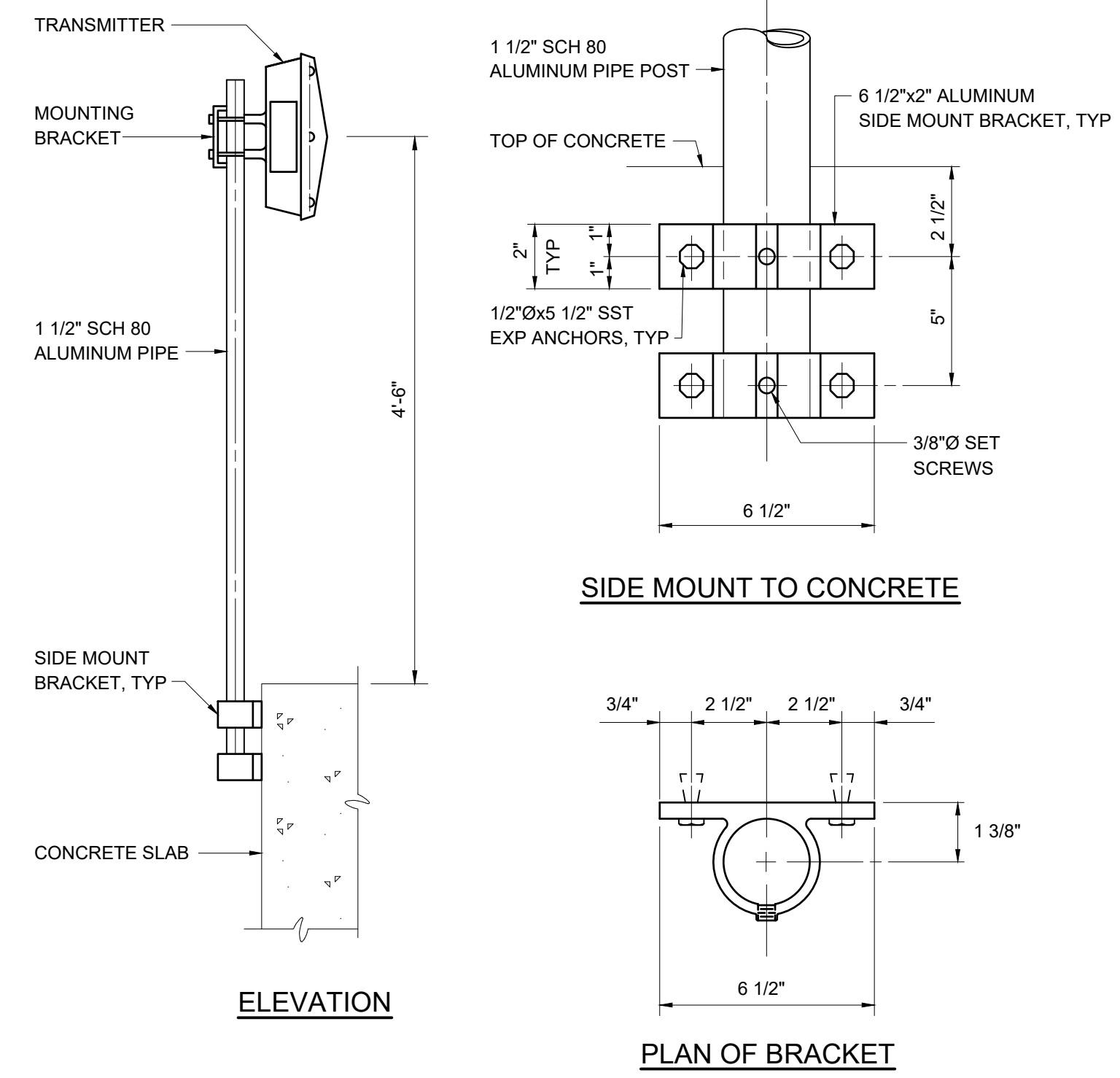
DATE:	NOVEMBER 2024
HAZEN NO.:	60711-003
CONTRACT NO.:	1
DRAWING NUMBER:	ID0003



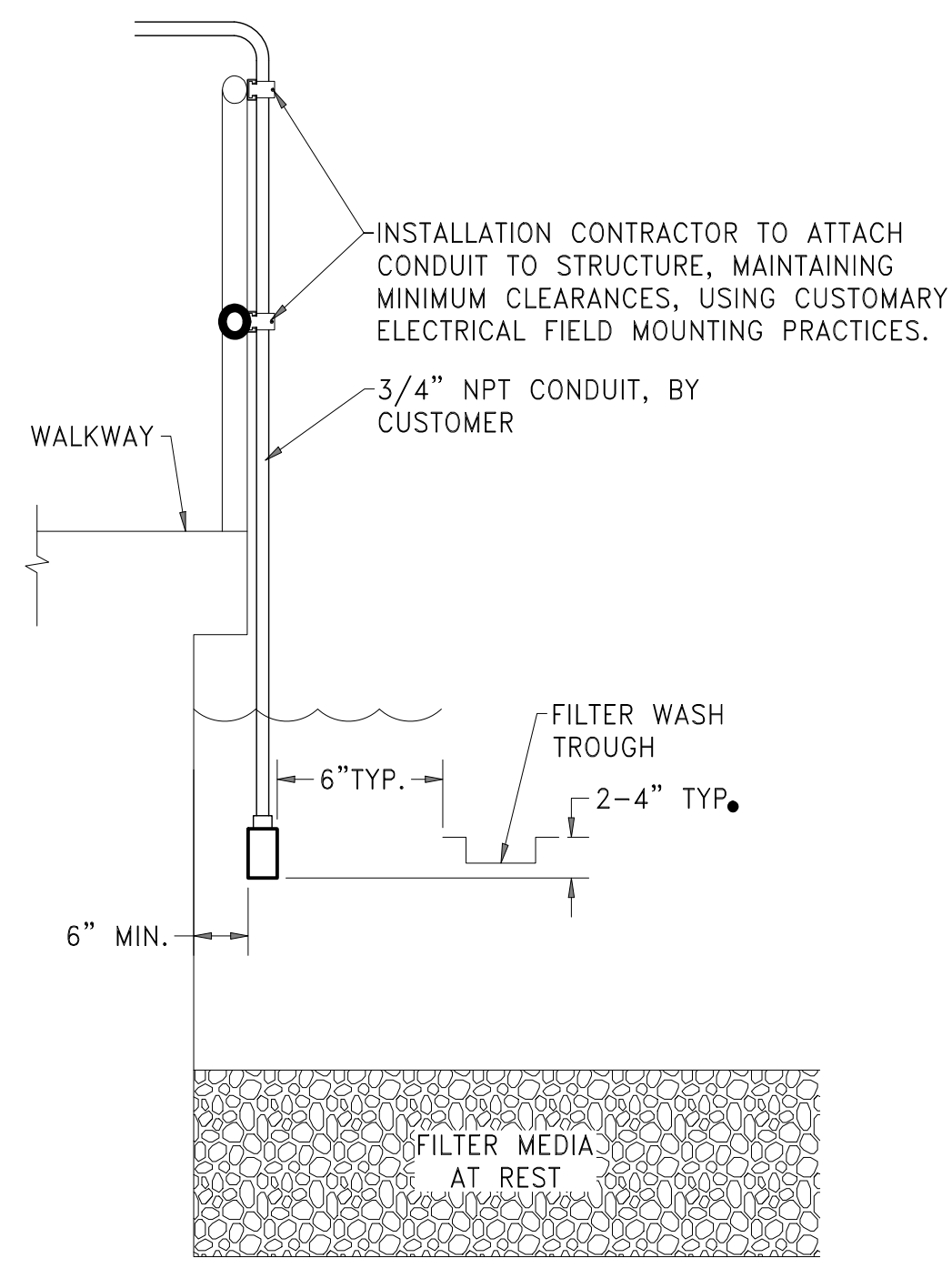
4-WIRE TRANSMITTER
MOUNTED IN CONCRETE SLAB
I-40-0901



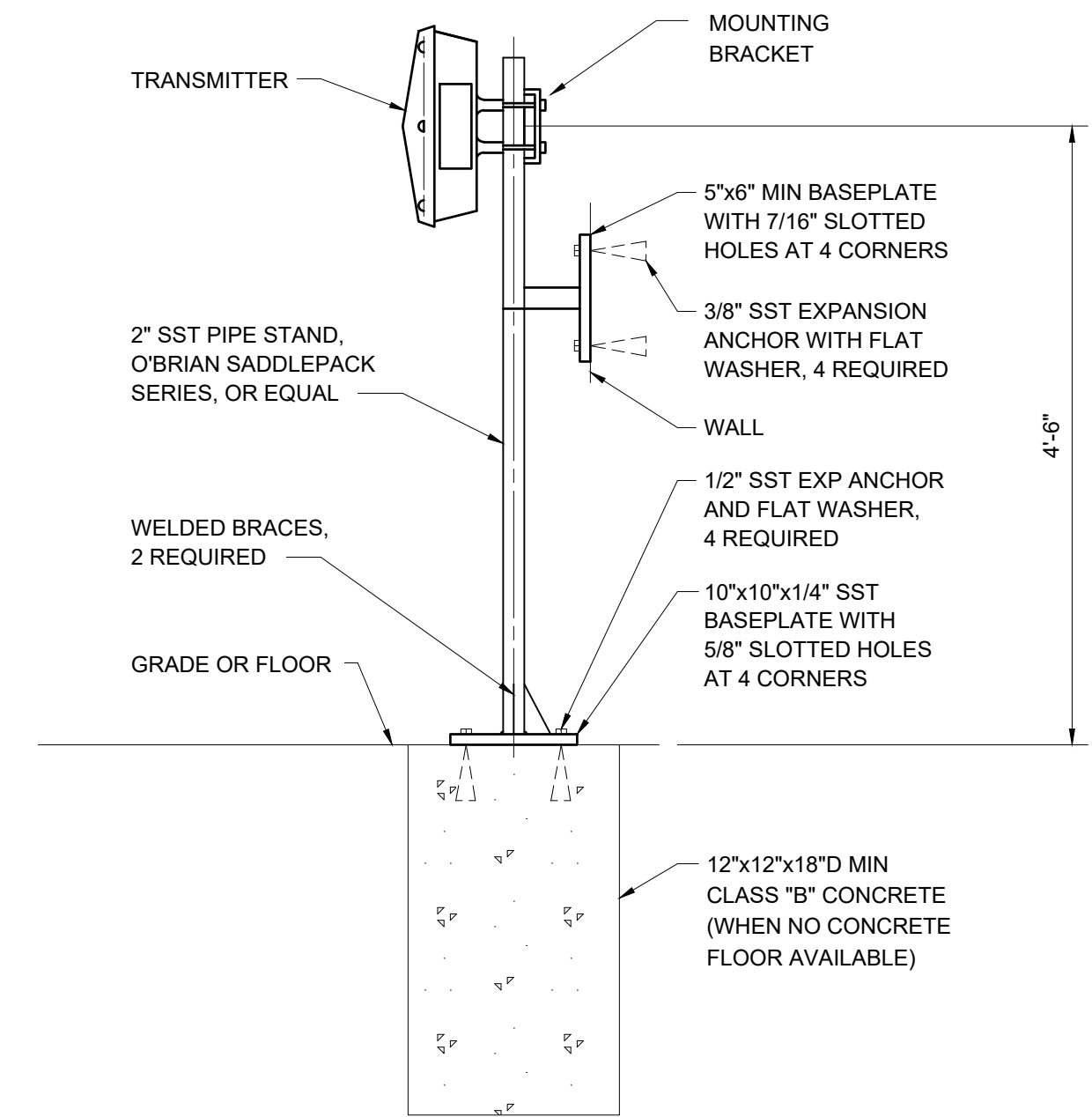
2-WIRE TRANSMITTER
MOUNTED IN CONCRETE SLAB
I-40-0902



PIPE STAND TRANSMITTER
MOUNTED ON SIDE OF SLAB
I-40-0903



FILTERSMART BED EXPANSION SENSOR
MOUNTED ON GUARDRAIL
I-40-0500



TYPICAL PIPE STAND TRANSMITTER
MOUNTED ON FLOOR OR WALL
I-40-0905

- NOTES:
1. WHEN NO CONCRETE IS AVAILABLE, POUR CLASS "B" CONCRETE SLAB, 30"x30"x18"D MINIMUM.
 2. COAT ALUMINUM SURFACES IN CONTACT WITH CONCRETE IN ACCORDANCE WITH DIVISION 9 REQUIREMENTS.
 3. ALL BOLTS, NUTS, AND WASHERS SHALL BE TYPE 316 STAINLESS STEEL.
 4. APPLETON FSC CAST ALUMINUM BOX WITH FSK-1VS COVER, OR EQUAL.
 5. REFER TO DETAIL 1752001 FOR SUNSHIELD DIMENSION REQUIREMENTS. IF TRANSMITTER REQUIRES SIDE ACCESS, CUT 6" Ø HOLE IN SUNSHIELD WHERE NECESSARY TO PROVIDE ADEQUATE ACCESS.
 6. CONDUIT TYPE AND MATERIALS OF CONSTRUCTION FOR SUPPORTS AND HARDWARE SHALL BE AS REQUIRED FOR THE AREA IN WHICH IT IS INSTALLED.

- NOTES:
1. WHEN NO CONCRETE IS AVAILABLE, POUR CLASS "B" CONCRETE SLAB, 12"x12"x18"D MINIMUM.
 2. COAT ALUMINUM SURFACES IN CONTACT WITH CONCRETE IN ACCORDANCE WITH DIVISION 9 REQUIREMENTS.
 3. ALL BOLTS, NUTS, AND WASHERS SHALL BE TYPE 316 STAINLESS STEEL.
 4. REFER TO DETAIL 1752001 FOR SUNSHADE DIMENSION REQUIREMENTS. IF TRANSMITTER REQUIRES SIDE ACCESS, CUT 6" Ø HOLE IN SUNSHADE WHERE NECESSARY TO PROVIDE ADEQUATE ACCESS.
 5. CONDUIT TYPE AND MATERIALS OF CONSTRUCTION FOR SUPPORTS AND HARDWARE SHALL BE AS REQUIRED FOR THE AREA IN WHICH IT IS INSTALLED.

File: C:\USERS\BHARRIS\APPDATA\LOCAL\AUTOCAD PLANT 3D\COLLABORATION\CACHE\B0711-001_WILSON WTP REHAB FILTER BASIN\FID DIV\ID0004 Saved by BHARRIS Save date: 11/19/2024 9:38 AM
 PLOT DATE: 11/19/2024 10:23 AM BY: BHARRIS

REV	ISSUED FOR	DATE	BY

PROJECT MANAGER:	T. HUDSON
DESIGNED BY:	S. ZOMORODI
DRAWN BY:	B. HARRIS
PROJECT ENGINEER:	S. ZOMORODI
IF THIS BAR DOES NOT MEASURE 1" THEN DRAWING IS NOT TO FULL SCALE	0 1/2" 1"



Hazen
HAZEN AND SAWYER
8150 N. CENTRAL EXPRESSWAY
TOWER II - SUITE 700
DALLAS, TEXAS 75206

CENTRAL ARKANSAS WATER
LITTLE ROCK, ARKANSAS
JACK H. WILSON WTP RENEWAL AND
RESILIENCY PROJECT

INSTRUMENTATION
STANDARD DETAILS SHEET 4

DATE:	NOVEMBER 2024
HAZEN NO.:	60711-003
CONTRACT NO.:	1
DRAWING NUMBER:	ID0004

GMP SUBMITTAL. DO NOT USE FOR CONSTRUCTION.