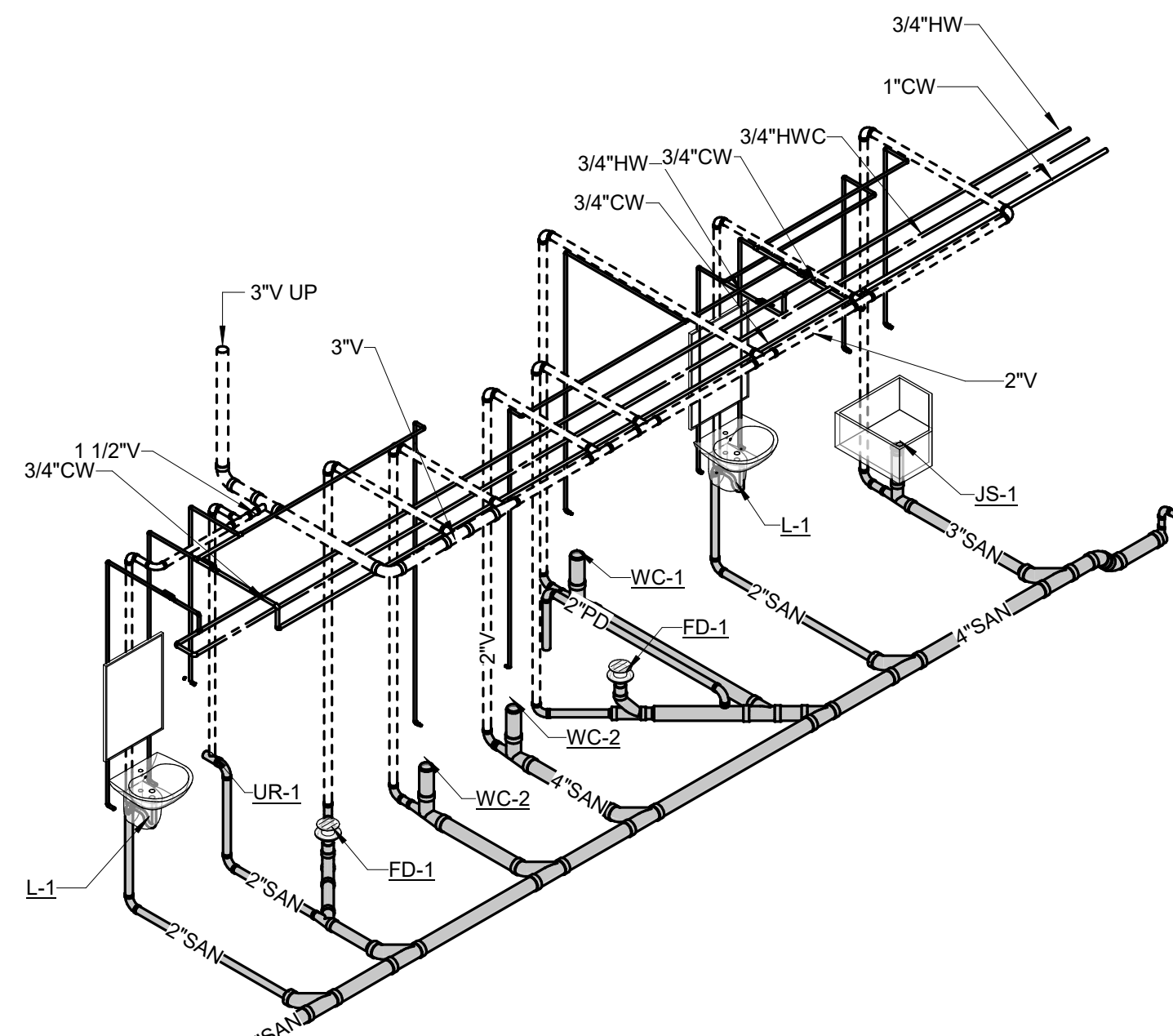


PLUMBING MATERIAL LIST

TAG NAME	DESCRIPTION	MANUFACTURER AND MODEL
AD-1	AREA DRAIN - CAST IRON BODY, 4" BOTTOM OUTLET, 10" CAST IRON DOME WITH STAINLESS STEEL MESH SCREEN, BRONZE FLASHING CLAMP.	ZURN (Z348), SMITH (2675), JOSAM (39600), MIFAB (F1820)
BFP-1	BACK FLOW PREVENTER - REDUCED PRESSURE ZONE, LEAD FREE BRONZE CONSTRUCTION, SIZE SAME AS PIPE 1", NON-CORROSIVE INTERNAL PARTS, STAINLESS STEEL SPRINGS, DIFFERENTIAL PRESSURE RELIEF VALVE BETWEEN SPRING-LOADED CHECK VALVES, BALL STYLE SHUT-OFF VALVES ON INLET AND OUTLET OF UNIT, AIR GAP DRAIN FITTING, TEST PORTS WITH SHUT-OFF VALVES, RATED FOR 175 PSI AT 33°F TO 140°F, 15 PSI (MAXIMUM) PRESSURE DROP AT 10 FPS, FACTORY TESTED, ALL PARTS TO BE SERVICEABLE WITHOUT REMOVING UNIT FROM LINE, APPROVED BY USC FCCC & HR, AWWA C511-92, ASSE 1013, IAPMO AND SBCCI LISTED. MOUNT WITHIN 60" OF FINISHED FLOOR. ROUTE DRAIN PIPE FROM AIR GAP FITTING TO FLOOR DRAIN. PROVIDE AND INSTALL BRONZE OR EPOXY COATED STRAINER UPSTREAM OF EACH UNIT AND ADDITIONAL VALVE UPSTREAM OF EACH STRAINER. FLOW PRESSURE DROP CURVES SHALL BE SUBMITTED.	APOLLO (RPLF4A), WATTS (LF919), WILKINS (975XL2)
BFP-FP-1	BACK FLOW PREVENTER - REDUCED PRESSURE ZONE, LEAD FREE BRONZE CONSTRUCTION, SIZE SAME AS PIPE 1", NON-CORROSIVE INTERNAL PARTS, STAINLESS STEEL SPRINGS, DIFFERENTIAL PRESSURE RELIEF VALVE BETWEEN SPRING-LOADED CHECK VALVES, BALL STYLE SHUT-OFF VALVES ON INLET AND OUTLET OF UNIT, AIR GAP DRAIN FITTING, TEST PORTS WITH SHUT-OFF VALVES, RATED FOR 175 PSI AT 33°F TO 140°F, 15 PSI (MAXIMUM) PRESSURE DROP AT 10 FPS, FACTORY TESTED, ALL PARTS TO BE SERVICEABLE WITHOUT REMOVING UNIT FROM LINE, APPROVED BY USC FCCC & HR, AWWA C511-92, ASSE 1013, IAPMO AND SBCCI LISTED. MOUNT WITHIN 60" OF FINISHED FLOOR. ROUTE DRAIN PIPE FROM AIR GAP FITTING TO FLOOR DRAIN. PROVIDE AND INSTALL BRONZE OR EPOXY COATED STRAINER UPSTREAM OF EACH UNIT AND ADDITIONAL VALVE UPSTREAM OF EACH STRAINER. FLOW PRESSURE DROP CURVES SHALL BE SUBMITTED.	APOLLO (RPLF4A), WATTS (LF919), WILKINS (975XL2)
CP-1	CIRCULATING PUMP - VARIABLE SPEED, LEAD FREE BRONZE OR STAINLESS STEEL CONSTRUCTION, PERMANENTLY LUBRICATED SEALED BEARINGS, MECHANICAL SEAL, OIL LUBRICATED, ECM MOTOR WITH INTEGRATED VARIABLE SPEED CONTROL AND THERMAL OVERLOAD PROTECTION, ONE SET OF DRY CONTACTS FOR STATUS OUTPUT TO BMS, FLANGED CONNECTIONS, RATED FOR 125 PSIG AT 225°F, MANUFACTURER PROVIDED PUMP BODY INSULATION KIT, UL LISTED. 2 GPM @ 25 FEET OF HEAD. MOTOR SHALL BE 1/6 HP. ELECTRICAL REQUIREMENTS - 120V, 1 PHASE (HARD-WIRE)	PUMP - B&G (ECOCIRC XL SERIES), GRUNDFOS (MAGNA SERIES), WILCO (STRATOS Z SERIES)
FCO-1	FLOOR CLEANOUT - ADJUSTABLE, CAST IRON HOUSING, ANCHOR FLANGE, TAPERED THREAD PLUG, SECURED NICKEL BRONZE TOP. TOP STYLE SHALL MATCH FLOOR FINISH AS FOLLOWS: UNFINISHED FLOOR - ROUND SOLID SCORiated TOP TILE OR TERRAZZO - ROUND RECESSED TOP CARPET - ROUND TOP WITH CARPET FLANGE.	ZURN (Z1400), JOSAM (55000), MIFAB (C1100), SMITH (4000), WADE (6000), WATTS (CO-200)
FD-1	FLOOR DRAIN - CAST IRON BODY, NICKEL BRONZE ADJUSTABLE TOP, 7" ROUND, 3" BOTTOM OUTLET, FLASHING COLLAR, DEEP SEAL TRAP. TRAP SEAL - 3", PLASTIC HOUSING WITH FLEXIBLE DIAPHRAGM, SEALING GASKETS, RECLOSES AND SEALS WHEN DISCHARGE IS COMPLETED, ASSE 1072.	FLOOR DRAIN - ZURN (Z415), SMITH (2005), WADE (1100), JOSAM (30000), WATTS (FD-100), MIFAB (F1100), SUN (FD1000) TRAP SEAL - SURE SEAL (SS), PROVENT (TRAP GUARD), SMITH (QUAD CLOSE), LIQUID BREAKER (GREEN DRAIN), MIFAB (MI-GARD)
FS-1	FLOOR SINK - CAST IRON BODY, NICKEL BRONZE RIM AND GRATE, 8" SQUARE, 4" BOTTOM OUTLET, 6" DEEP RECEPTOR WITH ALUMINUM DOME STRAINER, ACID RESISTANT COATED INTERIOR, SEEPAGE FLANGE WITH CLAMP, DEEP SEAL TRAP. TRAP SEAL - 4", PLASTIC HOUSING WITH FLEXIBLE DIAPHRAGM, SEALING GASKETS, RECLOSES AND SEALS WHEN DISCHARGE IS COMPLETED, ASSE 1072.	ZURN (Z1910), SMITH (3101), WADE (W-9110), JOSAM (49300), WATTS (FS-710), SIOUX CHIEF (861-2XFNWC), SUN (FS2300), MIFAB (FS1520) TRAP SEAL - SURE SEAL (SS), PROVENT (TRAP GUARD), SMITH (QUAD CLOSE), LIQUID BREAKER (GREEN DRAIN), MIFAB (MI-GARD)
FS-2	FLOOR SINK - CAST IRON BODY, NICKEL BRONZE RIM AND GRATE, 8" SQUARE, 3" BOTTOM OUTLET, 6" DEEP RECEPTOR WITH ALUMINUM DOME STRAINER, ACID RESISTANT COATED INTERIOR, SEEPAGE FLANGE WITH CLAMP, DEEP SEAL TRAP. TRAP SEAL - 3", PLASTIC HOUSING WITH FLEXIBLE DIAPHRAGM, SEALING GASKETS, RECLOSES AND SEALS WHEN DISCHARGE IS COMPLETED, ASSE 1072.	ZURN (Z1910), SMITH (3101), WADE (W-9110), JOSAM (49300), WATTS (FS-710), SIOUX CHIEF (861-2XFNWC), SUN (FS2300), MIFAB (FS1520) TRAP SEAL - SURE SEAL (SS), PROVENT (TRAP GUARD), SMITH (QUAD CLOSE), LIQUID BREAKER (GREEN DRAIN), MIFAB (MI-GARD)
HB-1	HOSE BIBB - FREEZELESS WALL HYDRANT, BRASS VALVE BODY AND SEAT, STANDARD FINISH, NON-FERROUS METAL STEM, AUTOMATIC DRAINING, VACUUM BREAKER, 3/4" MALE HOSE THREAD, WALL CLAMP, CONCEALED IN FLUSH MOUNTED LOCKABLE WALL BOX, KEY OPERATED, ASSE 1019 OR 1052 LISTED AND APPROVED. VERIFY NUMBER OF KEY OPERATORS TO BE PROVIDED WITH OWNER. BOX COVER AND HYDRANT SHALL USE A COMMON KEY. MOUNT AT 18" ABOVE GRADE UNLESS NOTED OTHERWISE ON DRAWINGS.	PRIER (C-634BX), WOODFORD (B67), ZURN (Z1300), WATTS (HY-725), MIFAB (MHY-20), SMITH (5509QT), WADE (8700)
HB-2	HOSE BIBB - FOR INDOOR USE, BRASS CONSTRUCTION, STANDARD FINISH, VACUUM BREAKER, 3/4" MALE HOSE THREAD, METAL WHEEL HANDLE, ASSE 1011 LISTED AND APPROVED. MOUNT AT 18" ABOVE FINISHED FLOOR UNLESS NOTED OTHERWISE ON DRAWINGS.	PRIER (C-155NP.75), WOODFORD (24), CHICAGO FAUCET (293), ACORN (8121), T&S BRASS (B-0736), MIFAB (MHY-90)
JS-1	MOP BASIN - NEO-ANGLE CORNER STYLE, PRECAST TERRAZZO, 24"x24"x12" 6" DEEP FRONT, STAINLESS STEEL INTEGRAL DRAIN WITH REMOVABLE STRAINER, 3" OUTLET, STAINLESS STEEL THRESHOLD. TRIM - EXPOSED TWO HANDLE MIXING FAUCET, BRASS CONSTRUCTION, CHROME-PLATED FINISH, SINGLE WING HANDLES, 1/4" TURN CERAMIC DISC CARTRIDGE, 3/4" HOSE THREAD SPOUT WITH ASSE 1053 RATED INTEGRAL VACUUM BREAKER, WALL BRACE, PULL HOOK, CHECK STOPS OR INLINE CHECK VALVES TO PREVENT THERMAL CROSSOVER. FAUCET SHALL COMPLY WITH FEDERAL ACT S.3874. ACCESSORIES - MOP HANGER, HOSE AND HOSE BRACKET, DEEP SEAL TRAP TWO 24" WIDE STAINLESS STEEL WALL GUARD	MOP BASIN - FIAT (TSCB1610), ACORN (TNC-24), CREATIVE INDUSTRIES (MNCN24), WILLIAMS (SBC-1700) TRIM - DELTA (28C2383), AMERICAN STANDARD (8344.012), CHICAGO FAUCETS (897-CF), MOEN (8124), SPEAKMAN (SC-5812), SYMMONS (S-2490), ZURN (Z841M1-XL) VACUUM BREAKER - WATTS (8A), OR APPROVED EQUAL
L-1	LAVATORY - ACCESSIBLE, WALL MOUNTED, WHITE VITREOUS CHINA, 20"x18", 4" HIGH CONTOURED BACKSPASH, SINGLE FAUCET HOLE, DRILLED FOR CONCEALED ARM CARRIER. LAVATORY TRIM - LAVATORY TRIM - SINGLE HANDLE MIXING FAUCET, BRASS CONSTRUCTION, CHROME-PLATED FINISH, CONVENTIONAL SPOUT WITH AERATOR, WASHERS/PULL LEVER HANDLE, SINGLE HOLE, CERAMIC DISC CARTRIDGE, PERFORATED GRID STRAINER WITH 1-1/4" 17 GAUGE TAILPIECE. MAXIMUM FLOW TO BE 0.5 GPM IN COMPLIANCE WITH ENERGY POLICY ACT OF 2005 AND ASME/ANSI STANDARD A112.18.1M. FAUCET SHALL COMPLY WITH FEDERAL ACT S.3874. PROVIDE RESTRICTIVE DEVICE AS REQUIRED. PROVIDE ASSE 1070 MIXING VALVE TO MIX HOT AND COLD WATER SET OUTLET AT 110 DEGREES INSULATION KIT - PRE-MANUFACTURED FOR P-TRAP, STOP VALVES AND SUPPLY LINES. ACCESSORIES - QUARTER-TURN 3/8" CHROME PLATED HEAVY BRASS ANGLE SUPPLY LOOSE KEY STOPS, CHROME PLATED SOFT COPPER SUPPLY LINES, DRAIN AND OFFSET TAILPIECE, 1-1/4" 17 GAUGE CAST BRASS P-TRAP, SUPPORT CARRIER. MOUNT LAVATORY WITH SUPPORT CARRIER BOLTED SECURELY TO FLOOR. TOP OF RIM SHALL BE AT 34" ABOVE FLOOR IN COMPLIANCE WITH LATEST ADA STANDARD. PROVIDE 29" MINIMUM CLEARANCE FROM FLOOR TO BOTTOM OF STAND IN COMPLIANCE WITH LATEST ANSI A117.1 AND ADA STANDARDS. ARMAFLEX WITH TAPE IS NOT ACCEPTABLE IN LIEU OF INSULATION KIT.	LAVATORY - DURAVIT - 23106500002 LAVATORY TRIM - KOHLER (K-21649-4-CP), DELTA (22C831), AMERICAN STANDARD (751051.002), CHICAGO FAUCET (3511-E2805AB), MOEN (9417), ZURN (Z82200-XL-3M) INSULATION KIT - TRUEBRO (K-21649-4-CP), BROCAR PRODUCTS (TRAP WRAP), MCGUIRE (PROWRAP), PLUMBEREX (PRO-EXTREME)

PLUMBING MATERIAL LIST

TAG NAME	DESCRIPTION	MANUFACTURER AND MODEL
RD-1	ROOF DRAIN - CAST IRON BODY, SECURED CAST IRON DOME, 15" ROUND, BOTTOM OUTLET, FLASHING CLAMP, GRAVEL STOP, UNDERDECK CLAMP, BEARING PLATE, ADJUSTABLE EXTENSION TO MATCH INSULATION THICKNESS, OUTLET SIZE AS LISTED ON DRAWINGS.	ZURN (Z-100), SMITH (1010), WADE (3000), JOSAM (21500), WATTS (RD-300), MIFAB (R1200), SUN (RD4000), FROET (200C)
RD-2	ROOF DRAIN - CAST IRON BODY, PARAPET TYPE, REMOVABLE SLOPING NICKLE BRONZE GRATE, FLASHING CLAMP, SHALLOW SUMP WITH FLASHING FLANGE AND SIDE OUTLET THREADED CONNECTION, 4" OUTLET	ZURN (Z160), JOSAM (24700)
RDO-1	ROOF DRAIN OUTLET - LAMBS TONGUE DOWNSPOUT NOZZLE, BRONZE BODY, INTEGRAL ANCHORING FLANGE, OUTLET SIZE AS LISTED ON DRAWINGS.	ZURN (Z-199), SMITH (1770), WADE (3940), JOSAM (25010), WATTS (RD-940), MIFAB (R1940), SUN (RD4500)
SP-1M	SUMP PUMP - SIMPLEX SUBMERSIBLE, SINGLE-STAGE, SINGLE SEAL, CENTRIFUGAL, END-SUCTION PUMP, STAINLESS STEEL FASTENERS, GUARDS AND HANDLES, UL LISTED. CASING - CAST IRON, INTEGRAL SUPPORT FEET, MINIMUM 2" VERTICAL DISCHARGE. IMPELLER - CAST IRON STATICALLY AND DYNAMICALLY BALANCED, SEMIOPEN NONCLOG DESIGN, KEYS AND SECURED TO SHAFT, PASSES 3/4" SOLIDS MINIMUM. SHAFT - STEEL OR STAINLESS STEEL WITH FACTORY SEALED, GREASE-LUBRICATED SLEEVE OR BALL BEARINGS, CARBON AND CERAMIC SEAL. MOTOR - 3450 RPM, OIL OR AIR-FILLED, HERMETICALLY SEALED WITH AUTO THERMAL OVERLOAD PROTECTION, THREE CONDUCTOR WATERPROOF POWER CABLE WITH GROUNDING PLUG, MAXIMUM LENGTH 6 FEET PER THE NATIONAL ELECTRICAL CODE. COORDINATE RECEPTACLE LOCATION WITH ELECTRICAL CONTRACTOR. CAPACITY: 50 GPM, 27 FEET OF HEAD. ELECTRICAL REQUIREMENTS - 1/2 HP, 120V, 1 PHASE	PUMP - WEIL (1456-OSS), ZOELLER (160 SERIES), BARNES (EHL-SERIES), GOULDS (HSU SERIES), STANCOR (SE) MINIMUM CONTROLS - WEIL (OIL SMART PUMP SWITCH AND OIL SMART ALARM SWITCH), SEEWATER OSS (SERIES/OSA-05), STANCOR (OIL MINDER), ZOELLER (940 SERIES)
SP-2M	SEWAGE PUMP - DUPLEX SUBMERSIBLE, SINGLE-STAGE, CENTRIFUGAL, END-SUCTION PUMP(S), STAINLESS STEEL FASTENERS, GUARDS AND HANDLES, UL LISTED. CASING: CAST IRON, INTEGRAL SUPPORT FEET, MINIMUM 3" FLANGED DISCHARGE FOR USE WITH GUIDE RAIL REMOVAL SYSTEM. IMPELLER - CAST IRON STATICALLY AND DYNAMICALLY BALANCED, SEMIOPEN NONCLOG DESIGN, KEYS AND SECURED TO SHAFT, PASSES 2" SOLIDS MINIMUM. SHAFT - STAINLESS STEEL WITH FACTORY SEALED, GREASE-LUBRICATED BALL BEARINGS, CARBON AND CERAMIC SEAL. MOTOR: 1750 RPM, OIL OR AIR-FILLED, HERMETICALLY SEALED WITH AUTO THERMAL OVERLOAD PROTECTION, THREE CONDUCTOR WATERPROOF POWER CABLE OF SUFFICIENT LENGTH. CAPACITY (EACH PUMP): 75 GPM, 40 FEET OF HEAD. ELECTRICAL REQUIREMENTS - 3 HP, 208 VOLTS, 3 PHASE CONTROLS - WALL MOUNTED NEMA 4X ENCLOSURE, DUPLEX (4) FLOAT WITH AUTOMATIC ALTERNATOR TO LEAD LAG PUMPS AND ALSO ALLOW BOTH PUMPS TO RUN DURING HIGH LOAD, RUN LIGHT, TEST-OFF-AUTO AND DISCONNECTING MEANS FOR EACH PUMP, HIGH WATER ALARM WITH HORN, STROBE, SILENCING BUTTON AND DRY CONTACTS FOR ALARM AND PUMP STATUS, UL LISTED. FLOATS SHALL BE MERCURY-FREE. BASIN - POLYESTER REINFORCED GLASS FIBER BASIN, 48" ID x 84" DEPTH. INCLUDE PENETRATION KITS FOR FIELD INSTALLATION.	PUMP - WEIL (5215) CONTROLS - SAME AS PUMP MANUFACTURER BASIN - FIBERBASIN (42"x84")
UR-1	URINAL - WALL MOUNTED, WHITE VITREOUS CHINA, FLUSH VALVE TYPE, WASHOUT ACTION, ELONGATED RIM, EXTENDED SIDE SHIELDS, 3/4" TOP SPUD, 2" OUTLET. FLUSH VALVE - FLUSH VALVE - EXPOSED, MANUAL OPERATION, 0.125 GALLONS PER FLUSH, 1-1/2" ROUGH-IN, CHROME-PLATED, 3/4" I.P.S. SCREWDRIVER STOP-CHECK VALVE WITH VANDAL RESISTANT CAP, HIGH BACK PRESSURE VACUUM BREAKER, NON-HOLD-OPEN HANDLE, ADJUSTABLE TAILPIECE, SPUD COUPLING AND FLANGE, WALL FLANGE WITH SET SCREW, CHLORAMINE RESISTANT MATERIALS, 3-YEAR WARRANTY. CONTRACTOR OPTION: COMBINATION URINAL/FLUSH VALVE PACKAGED SYSTEM BY AMERICAN STANDARD, KOHLER, SLOAN, OR ZURN ACCESSORIES - SUPPORT CARRIER WITH TOP AND BOTTOM BEARING PLATES. MOUNT WITH CARRIER BOLTED SECURELY TO FLOOR. TOP OF BOWL RIM SHALL BE AT 22" ABOVE FLOOR. VERIFY EQUIPMENT REQUIREMENTS AND ROUGH-IN LOCATIONS.	URINAL - AMERICAN STANDARD (6590.001), KOHLER (K-4991-ET), SLOAN (SU-1006/SU-1009), GERBER (27-780), TOTO (UT447), ZURN (Z5750) FLUSH VALVE - ZURN (Z6003AV-JLF), SLOAN (186-0.125), AMERICAN STANDARD (6045.013), KOHLER (K-13520-CP), AMTC (MF-700-U18)
WC-1	WATER CLOSET - FLOOR MOUNTED, DUAL-FLUSH TANK TYPE, PRESSURE ASSISTED, SIPHON JET, WHITE VITREOUS CHINA, CLOSE COUPLED, ELONGATED BOWL, BOLT CAPS, 12" ROUGH-IN, CHROME PLATED TRIP LEVER, 1.6/1.1 GALLONS PER FLUSH (MAXIMUM) IN COMPLIANCE WITH ENERGY POLICY ACT OF 1992. SEAT - WHITE, EXTRA HEAVY, OPEN FRONT, INJECTION MOLDED SOLID PLASTIC, SELF-SUSTAINING HINGE, STAINLESS STEEL OR PLATED STEEL POSTS AND NUTS. ACCESSORIES - QUARTER-TURN 3/8" CHROME-PLATED HEAVY BRASS ANGLE SUPPLY WITH LOOSE-KEY STOP, CHROME-PLATED SOFT COPPER SUPPLY LINE. TOP OF SEAT SHALL BE AT 16"-17" ABOVE FINISHED FLOOR. VERIFY EQUIPMENT REQUIREMENTS AND ROUGH-IN LOCATIONS.	WATER CLOSET - ZURN (Z5571), GERBER (DF-20-110) SEAT - BEMIS (1655SSCT), CHURCH (9500C), BENEKE (533), KOHLER (K-4666-C), OLSONITE (95), SAME AS WATER CLOSET MANUFACTURER ACCESSORIES - QUARTER-TURN 3/8" CHROME-PLATED HEAVY BRASS ANGLE SUPPLY WITH LOOSE-KEY STOP, CHROME-PLATED SOFT COPPER SUPPLY LINE. TOP OF SEAT SHALL BE AT 17"-19" ABOVE FINISHED FLOOR. FLUSH HANDLE SHALL BE LOCATED ON THE WIDE SIDE OF THE TOILET STALL AND OPERATE WITH NO GREATER THAN A 5 LB FORCE IN COMPLIANCE WITH LATEST ADA STANDARDS. VERIFY EQUIPMENT REQUIREMENTS AND ROUGH-IN LOCATIONS.
WC-2	WATER CLOSET - ACCESSIBLE, FLOOR MOUNTED, DUAL-FLUSH TANK TYPE, PRESSURE ASSISTED, SIPHON JET, WHITE VITREOUS CHINA, CLOSE COUPLED, ELONGATED BOWL, BOLT CAPS, 12" ROUGH-IN, CHROME PLATED TRIP LEVER, 1.6/1.1 GALLONS PER FLUSH (MAXIMUM) IN COMPLIANCE WITH ENERGY POLICY ACT OF 1992. SEAT - WHITE, EXTRA HEAVY, OPEN FRONT, INJECTION MOLDED SOLID PLASTIC, SELF-SUSTAINING HINGE, STAINLESS STEEL OR PLATED STEEL POSTS AND NUTS. ACCESSORIES - QUARTER-TURN 3/8" CHROME-PLATED HEAVY BRASS ANGLE SUPPLY WITH LOOSE-KEY STOP, CHROME-PLATED SOFT COPPER SUPPLY LINE. TOP OF SEAT SHALL BE AT 17"-19" ABOVE FINISHED FLOOR. FLUSH HANDLE SHALL BE LOCATED ON THE WIDE SIDE OF THE TOILET STALL AND OPERATE WITH NO GREATER THAN A 5 LB FORCE IN COMPLIANCE WITH LATEST ADA STANDARDS. VERIFY EQUIPMENT REQUIREMENTS AND ROUGH-IN LOCATIONS.	WATER CLOSET - ZURN (Z5561), GERBER (DF-21-117) SEAT - BEMIS (1655SSCT), CHURCH (9500C), BENEKE (533), KOHLER (K-4666-C), OLSONITE (95), SAME AS WATER CLOSET MANUFACTURER ACCESSORIES - QUARTER-TURN 3/8" CHROME-PLATED HEAVY BRASS ANGLE SUPPLY WITH LOOSE-KEY STOP, CHROME-PLATED SOFT COPPER SUPPLY LINE. TOP OF SEAT SHALL BE AT 17"-19" ABOVE FINISHED FLOOR. FLUSH HANDLE SHALL BE LOCATED ON THE WIDE SIDE OF THE TOILET STALL AND OPERATE WITH NO GREATER THAN A 5 LB FORCE IN COMPLIANCE WITH LATEST ADA STANDARDS. VERIFY EQUIPMENT REQUIREMENTS AND ROUGH-IN LOCATIONS.
WH-1M	WATER HEATER - GAS FIRED, CONDENSING, VERTICAL, MINIMUM 94% EFFICIENT, SEALED COMBUSTION, METAL CABINET, BAKED ENAMEL FINISH, ASME STAMPED GLASS-LINED STEEL OR STAINLESS STEEL TANK, 160 PSI WORKING PRESSURE, FIBERGLASS OR FOAM INSULATION, BRASS WATER CONNECTIONS AND DRAIN VALVE, ASME APPROVED T&P RELIEF VALVE, MULTIPLE MAGNESIUM ANODE RODS VENT PIPING KIT, HIGH TEMPERATURE GAS SHUT OFF, AUTOMATIC WATER THERMOSTAT, BUILT-IN GAS REGULATING VALVE, ADJUSTABLE TEMPERATURE RANGE, 3-YEAR WARRANTY, UL LISTED, COMPLIANT TO NAECA, ASHRAE 90.1 AND ASHRAE 90A. 60 GALLON CAPACITY, 120,000 BTUH INPUT NATURAL GAS ELECTRICAL REQUIREMENTS - 120V CIRCUIT FOR BLOWER AND CONTROLS, HARD-WIRED SET WATER TEMPERATURE AT 120°F. SET SUPPLY GAS PRESSURE AT 7" W.C. CONDENSATE DRAIN NEUTRALIZATION TANK - RATED FOR MAXIMUM 4,000 MBH WATER HEATER AND 32 GPM CONDENSATE FLOW. POLYPROPYLENE RECTANGULAR TANK, 1" FNPT INLET AND OUTLET. REMOVABLE ACCESS COVER FOR CLEANING AND PELLET REPLACEMENT, 12.5 LBS PH NEUTRALIZING PELLETS.	A.O. SMITH (CYCLONE MxI BTH-120) NEUTRALIZATION TANK - JIM BOILER WORKS (NB-4), NUTRASAFE (CN47)



1 RESTROOM RISERS
NO SCALE

PIPE INSULATION SCHEDULE (PLUMBING)

GENERAL NOTES:
 1. REFER TO THE SPECIFICATIONS FOR TYPE DESCRIPTIONS AND JACKETING REQUIREMENTS. VALUES LISTED BELOW ARE BASED ON ASHRAE / IECC REQUIREMENTS.
 2. TYPE A INSULATION IS NOT ALLOWED IN NON-AIR CONDITIONED SPACES, SUCH AS MECHANICAL ROOMS, EXTERIOR, ATTICS, ETC.
 3. TYPE B INSULATION GREATER THAN 1" THICK SHALL BE INSTALLED USING MULTIPLE LAYERS OF 3/4" OR 1" WITH STAGGERED SEAMS.
 4. TYPE E IS NOT ALLOWED IN RETURN AIR PLENUMS, UNLESS LISTED AND LABELED AS 25/50 RATED PER ASTM E84/UL723
 5. TYPE G 4" SHALL BE INSTALLED IN TWO (2) 2" LAYERS WITH STAGGERED SEAMS
 6. PROVIDE RIGID INSERT AT HANGERS, EITHER PRE-MANUFACTURED COUPLINGS (REFER TO PIPE HANGER AND SUPPORTS SPECIFICATIONS) OR TYPE C, D, OR E INSULATION. SEE SPEC. FOR MORE DETAILS.
 7. DIRECT BURED PIPING SHALL ONLY USE TYPE C OR TYPE E. REDUCTION IN THICKNESS FOR DIRECT BURED PIPING IS ALLOWED PER ASHRAE / IECC AS APPLICABLE.

PIPE SYSTEM	INSULATION TYPE	INSULATION THICKNESS PER NOMINAL PIPE OR TUBE SIZE					NOTES
		< 1"	1" TO < 1.5"	1.5" TO < 4"	4" TO < 8"	≥ 8"	
22 PLUMBING - WASTE							
D - DRAIN - PLUMBING	A (GlsFbr), B (Elasto)	0.5"	0.5"	1"	1"	1"	APPLY INSULATION ONLY TO LOW TEMP DRAINS (55 DEG AND LOWER IE: COOLING COIL CONDENSATE, ICE MACHINE DRAINS, ETC.)
SAN - SANITARY DRAINAGE	A (GlsFbr), B (Elasto)	0.5"	0.5"	1"	1"	1"	APPLY INSULATION ONLY TO FLOOR DRAIN BODY, P-TRAP AND 10' DOWNSTREAM AT LOW TEMP DRAIN DISCHARGE (55 DEG AND LOWER IE: COOLING COIL CONDENSATE, ICE MACHINE DRAINS, ETC.)
V - VENT	A (GlsFbr), B (Elasto)	0.5"	0.5"	1"	1"	1"	APPLY INSULATION ONLY WITHIN 10' OF EXTERIOR PENETRATION
22 PLUMBING - WATER							
CW - COLD WATER - POTABLE	A (GlsFbr), B (Elasto)	0.5"	0.5"	1"	1"	1"	
HW - HOT WATER - POTABLE	A (GlsFbr), B (Elasto)	1"	1"	1"	1"	1"	
HWC - HOT WATER CIRCULATING - POTABLE	A (GlsFbr), B (Elasto)	1"	1"	1"	1"	1"	

FIRE PROTECTION MATERIAL LIST

TAG NAME	DESCRIPTION	MANUFACTURER AND MODEL
FDC-1	EXPOSED STORZ FIRE DEPT. CONNECTION INLET CONNECTION, 4" FEMALE NPT OUTLET x 4" STORZ INLET, INLET SCREEN, 90 DEGREE ANGLE BODY STYLE, POLISHED CHROME FINISHED ADAPTER, SLEEVE, AND PLATE. "STANDPIPE" LETTERING ON PLATE. CONTRACTOR TO COORDINATE PURCHASE OF LOCKING CAPS WITH LOCAL FIRE DEPARTMENT.	FDC: CROKER SERIES 6368-6371, GUARDIAN 6634 LOCKING CAP: KNOX COMPANY 5001



A/E FIRMS PRIME/ARCH: STRATA ARCHITECTURE 1703 OAK STREET, SUITE 100 KANSAS CITY, MO T: 816.474.0090	DESIGNED: SGB CADD: WMM TECH. REVIEW: SCB DATE: 10.27.2023	TITLE OF SHEET SUB SHEET NO. 01 P6.0	MAURICE BATHHOUSE PLUMBING SCHEDULES & RISER DIAGRAM REHABILITATE BATHHOUSES HOT SPRINGS NATIONAL PARK	DRAWING NO. 626 180065 PMIS/PKG NO. 318674 SHEET 133 OF 286
--	---	---	--	---