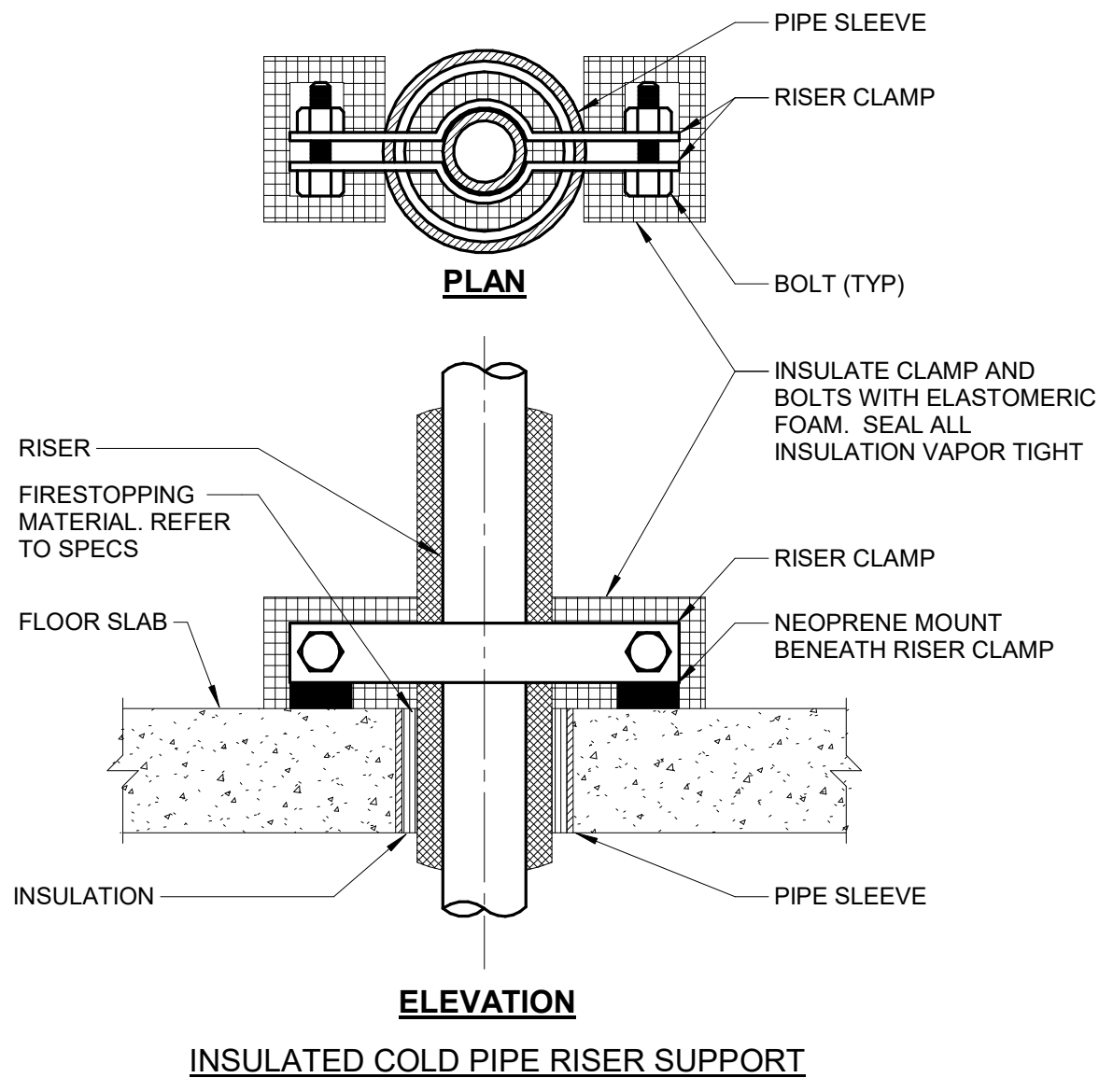
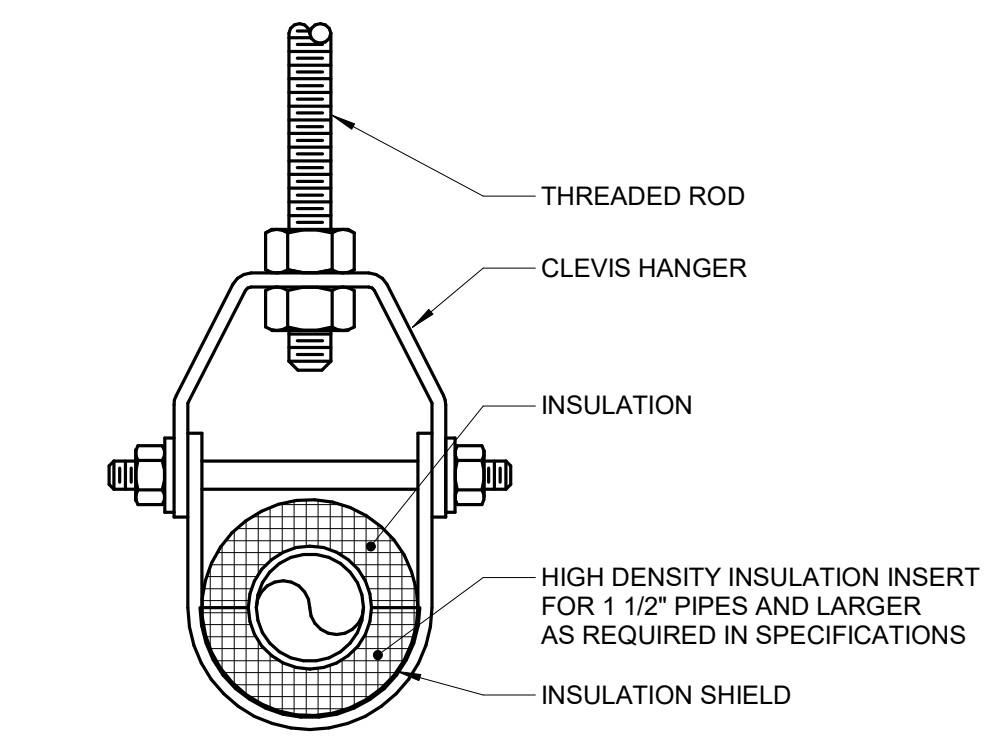


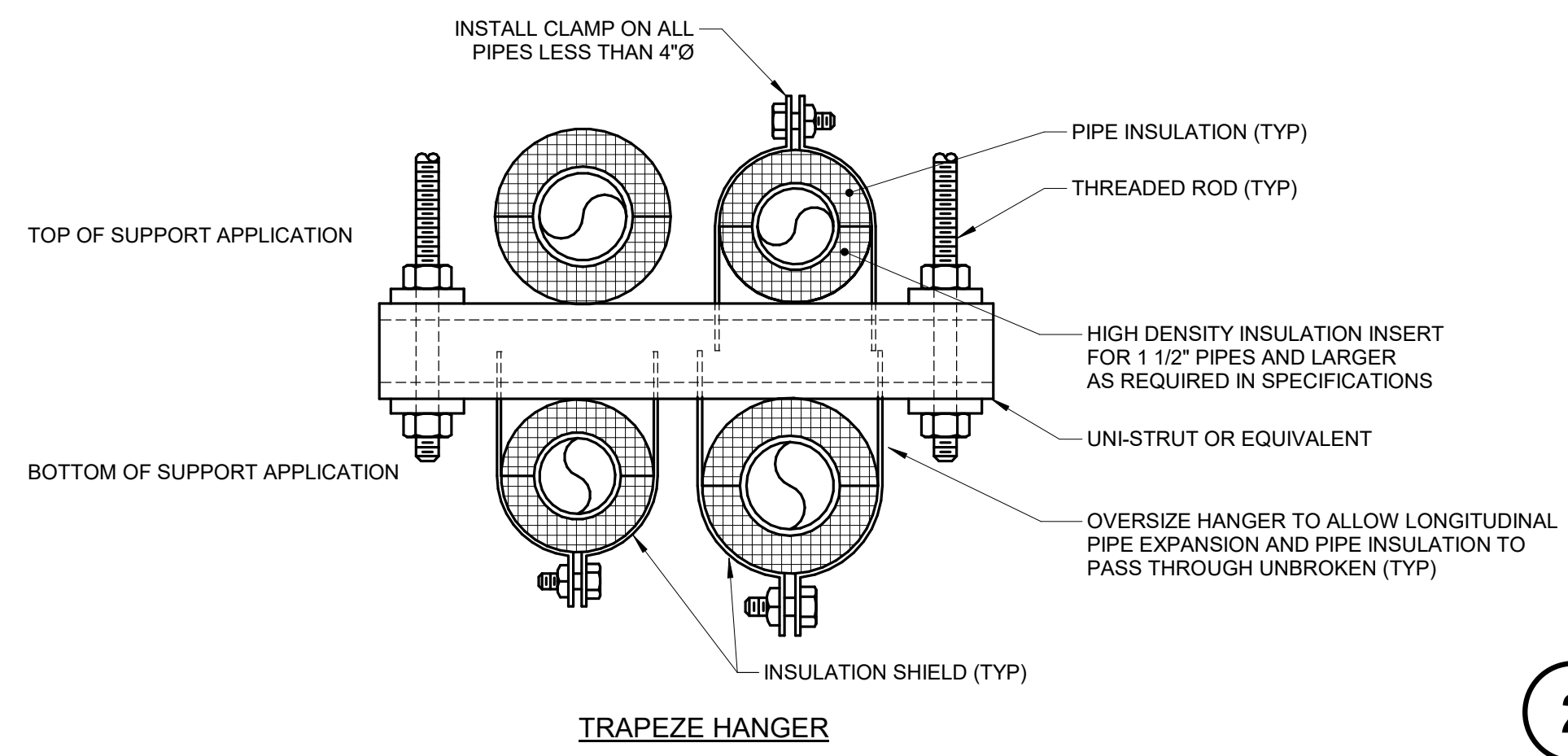
INSULATED HOT PIPE RISER SUPPORT



INSULATED COLD PIPE RISER SUPPORT



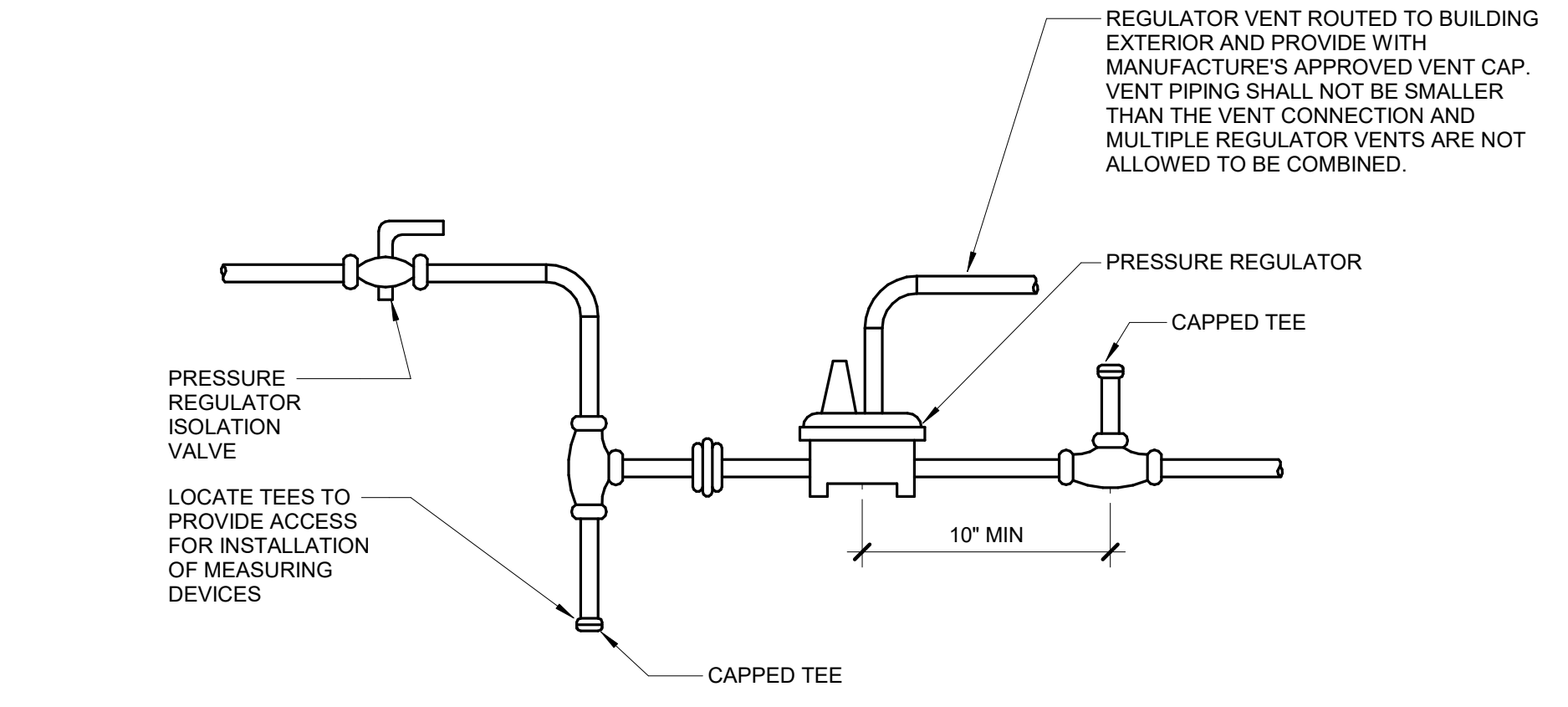
INSULATED COLD PIPE HANGER



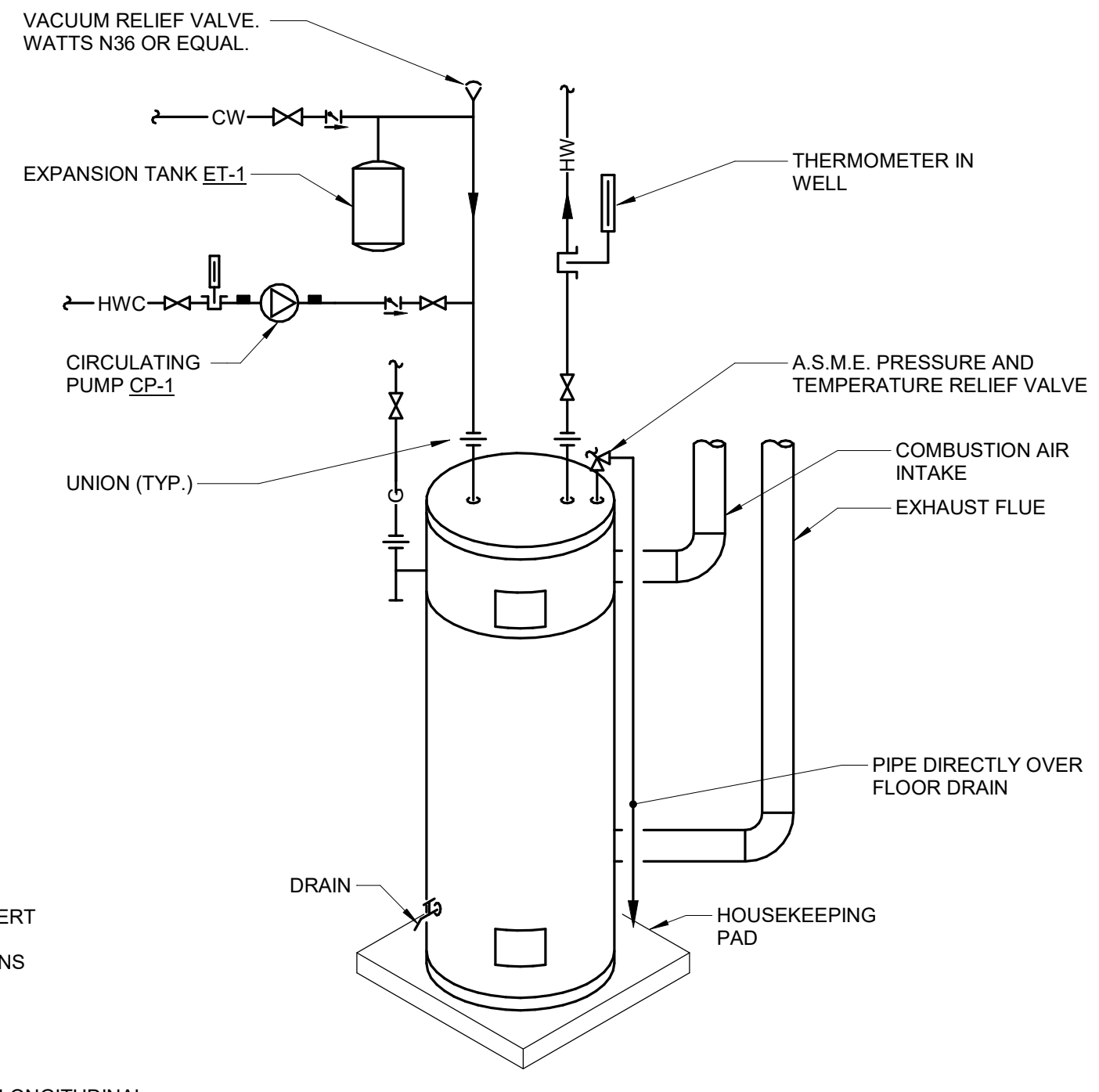
TRAPEZE HANGER

1 PIPE - HANGERS AND SUPPORTS
NO SCALE

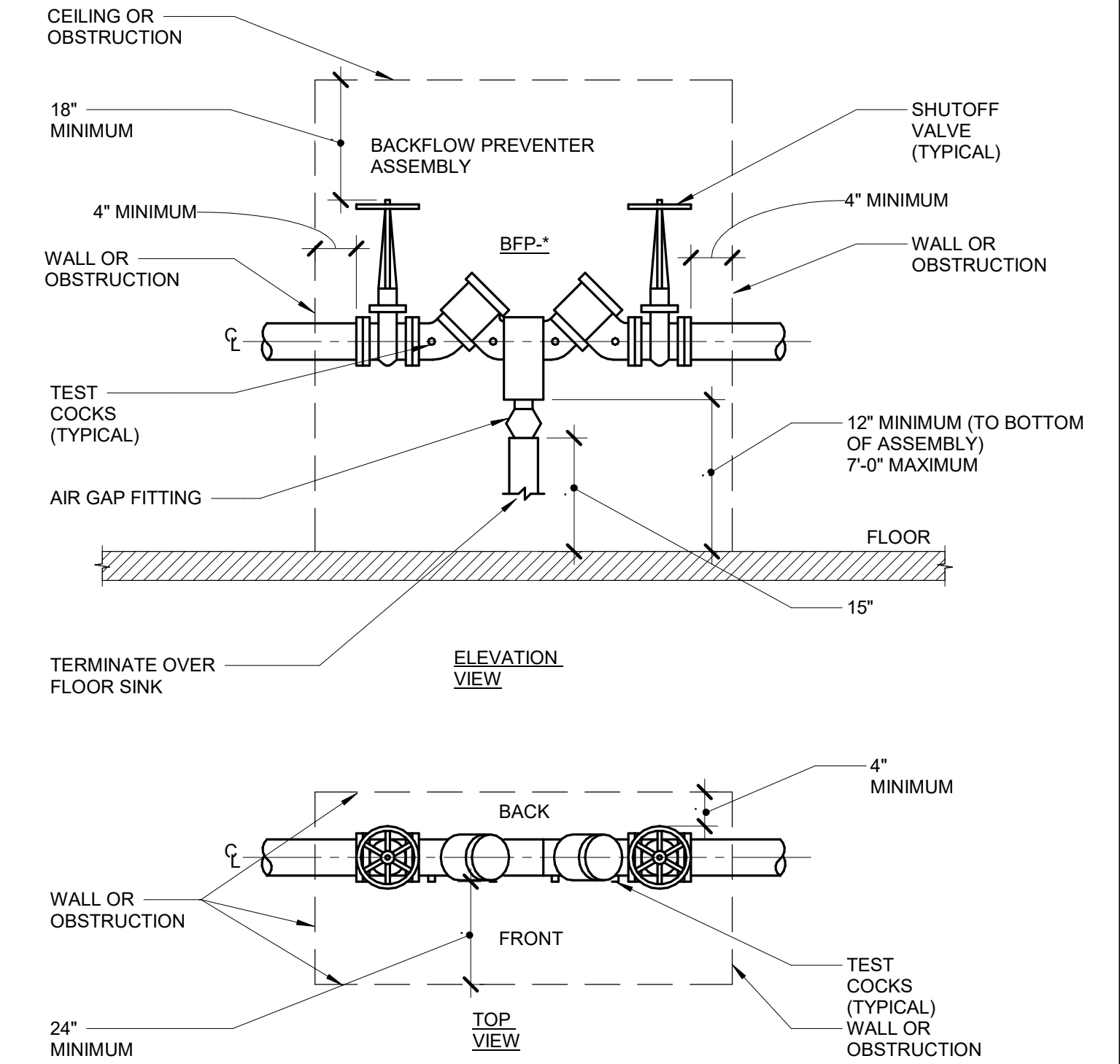
- NOTES:
1. REFER TO SPECIFICATION SECTIONS (SECTION 22 05 29-PLUMBING, SECTION 23 05 29-HVAC) & (SECTION 22 07 19-PLUMBING, SECTION 23 07 19-HVAC).



4 GAS PRESSURE REGULATOR
NO SCALE

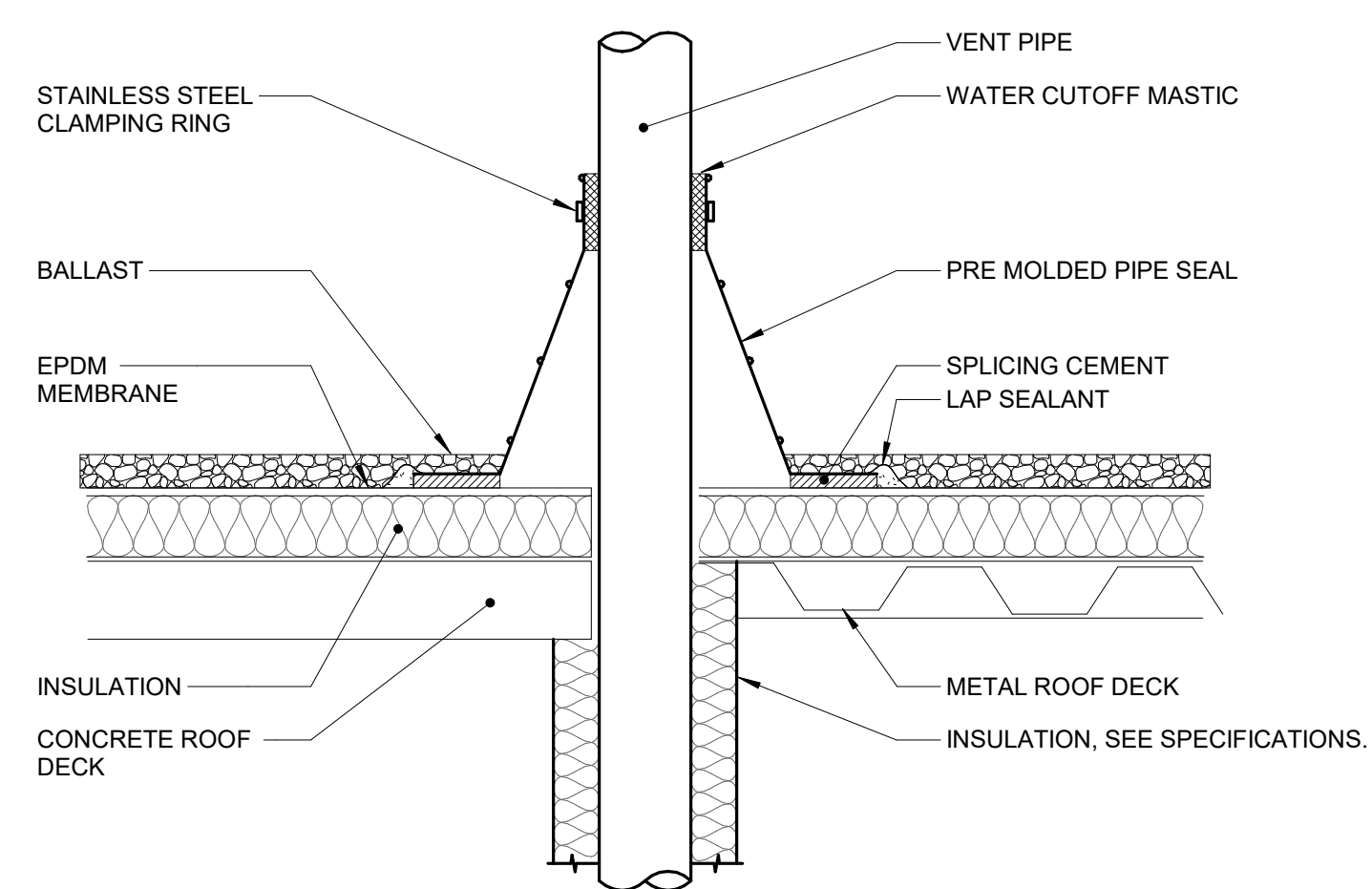


2 WATER HEATER DETAIL
NO SCALE



3 BACKFLOW PREVENTER DETAIL
NO SCALE

- NOTES:
1. REFER TO MATERIAL LIST FOR ASSEMBLY TYPE, SIZE, AND CONFIGURATION.



- NOTES:
1. VENT PIPE SHALL BE A MINIMUM OF 3\"/>

5 VENT PIPE FLASHING
NO SCALE

| | | | | |
|--|---------------------|---|--|--------------------------------------|
| A/E FIRMS PRIME/ARCH: STRATA ARCHITECTURE 1703 OAK STREET, SUITE 100 KANSAS CITY, MO T: 816.474.9900 MEP/ENG: IMEG CORP. 11600 BALTIMORE STREET, SUITE 300 KANSAS CITY, MO T: 816.842.8437 | DESIGNED: | SUB SHEET NO. 01 P5.0 | TITLE OF SHEET MAURICE BATHHOUSE PLUMBING / FIRE SUPPRESSION DETAILS REHABILITATE BATHHOUSES HOT SPRINGS NATIONAL PARK | DRAWING NO. 626 180065 |
| | CADD: | | | PMIS/PKG NO. 318674 |
| | TECH. REVIEW: | | | SHEET 132 OF 286 |
| | DATE: 10.27.2023 | | | |



10/27/2023, 1:10:12 PM