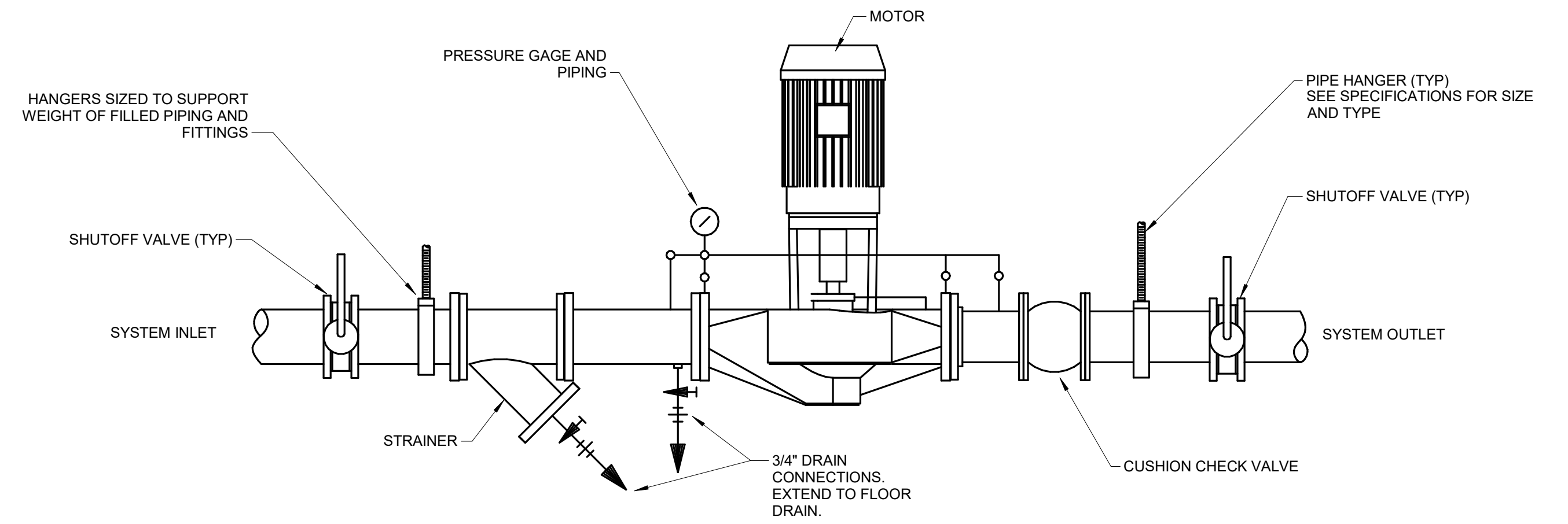
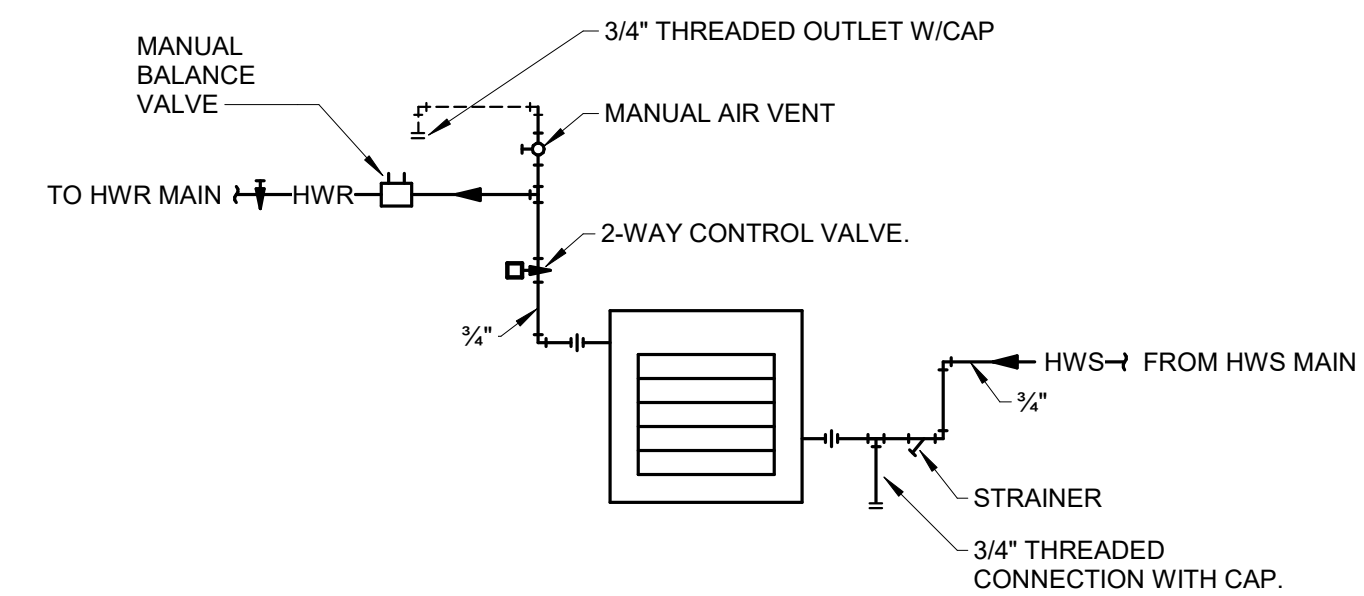


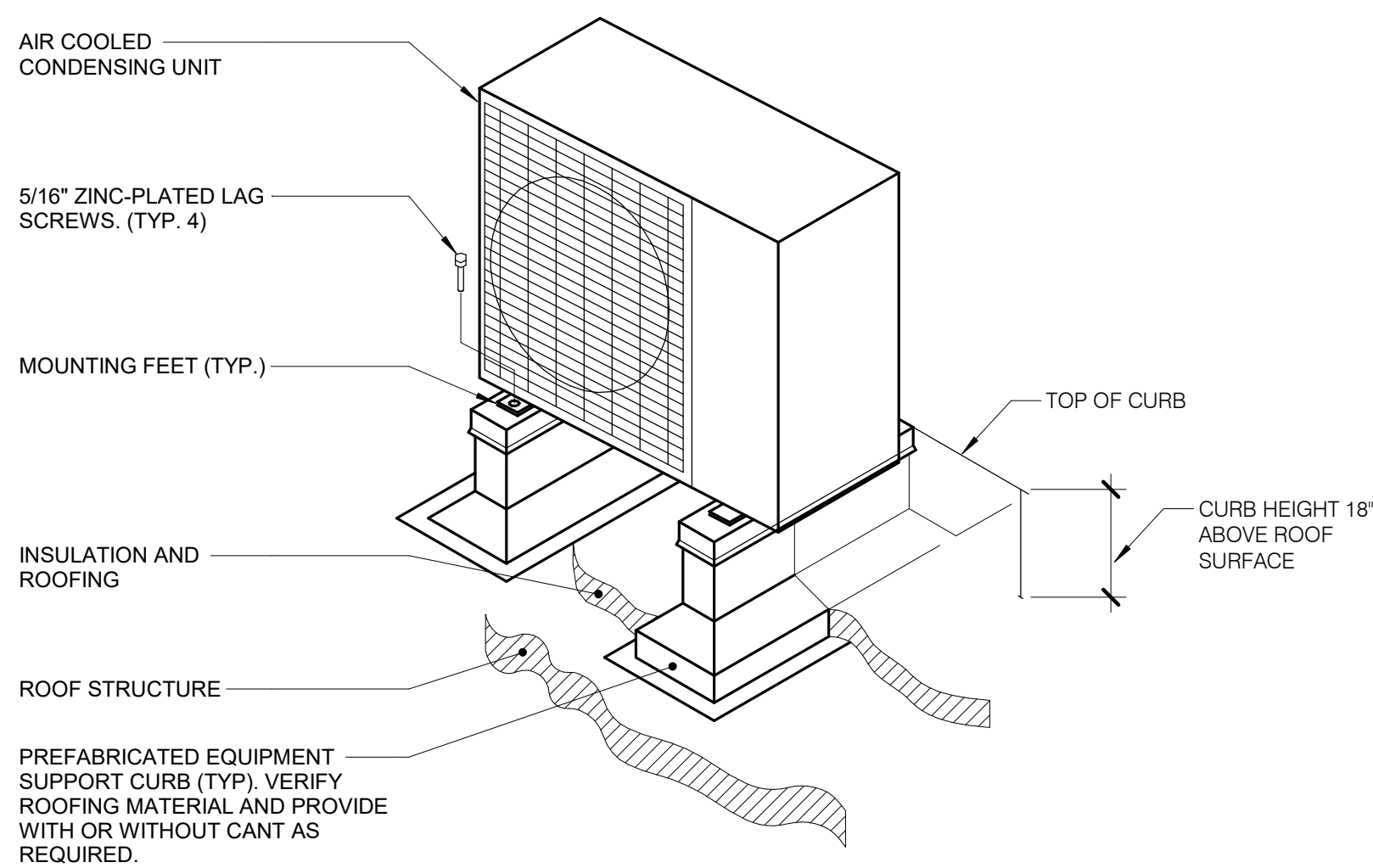
1 FLOOR MOUNTED VERTICAL INLINE PUMP CONNECTION DETAIL
NO SCALE



2 VERTICAL INLINE PUMP CONNECTION DETAIL
NO SCALE

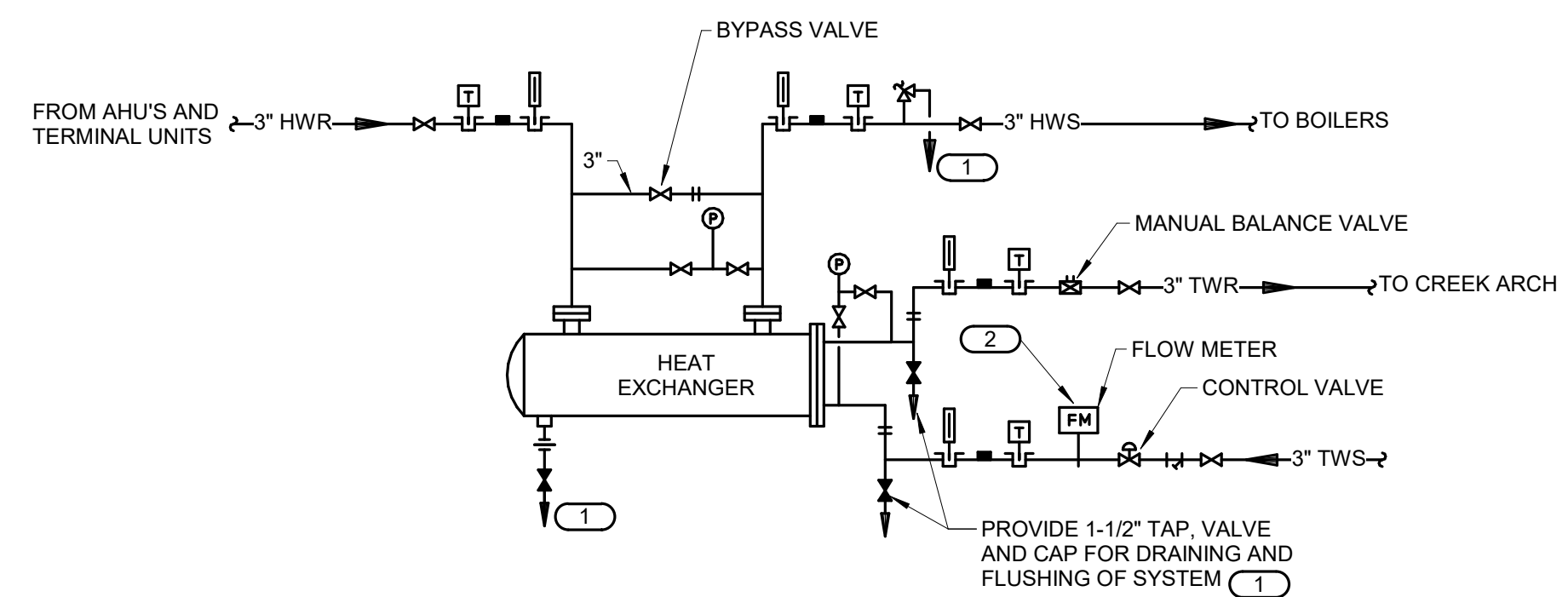


3 HORIZONTAL HOT WATER UNIT HEATER DETAIL
NO SCALE



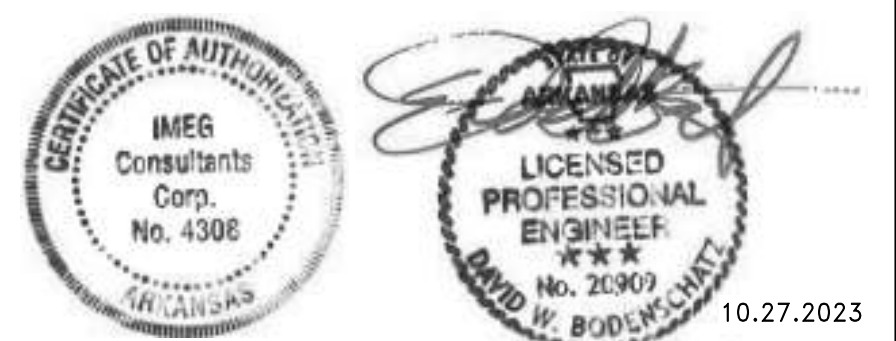
- NOTES:
1. VERIFY DIAMETER OF ANCHOR BOLT REQUIRED TO FIT WITHIN MOUNTING FEET ANCHOR HOLES.

4 ROOF SUPPORT - EQUIPMENT RAIL
NO SCALE



5 THERMAL WATER/HEATING WATER HEAT EXCHANGER
NO SCALE

- KEYNOTES #
1. EXTEND AND TERMINATE OVER NEAREST FLOOR DRAIN. DO NOT CROSS AISLEWAYS.
 2. PROVIDE 5 PIPE DIAMETERS STRAIGHT PIPE UPSTREAM OF FLOW METER AND 3 PIPE DIAMETERS DOWNSTREAM.



| | | | | |
|--|------------------|---|---|--|
| A/E FIRMS PRIME/ARCH: STRATA ARCHITECTURE 1703 OAK STREET, SUITE 100 KANSAS CITY, MO T: 816.474.0900 MEPS/ENG: IMEG CORP. 1400 BALTIMORE STREET, SUITE 300 KANSAS CITY, MO T: 816.842.8437 | DESIGNED: SGB | SUB SHEET NO. 01 M5.3 | TITLE OF SHEET MAURICE BATHHOUSE MECHANICAL DETAILS | DRAWING NO. 626 180065 |
| | CADD: WMM | TECH. REVIEW: SGB | DATE: 10.27.2023 | REHABILITATE BATHHOUSES HOT SPRINGS NATIONAL PARK |