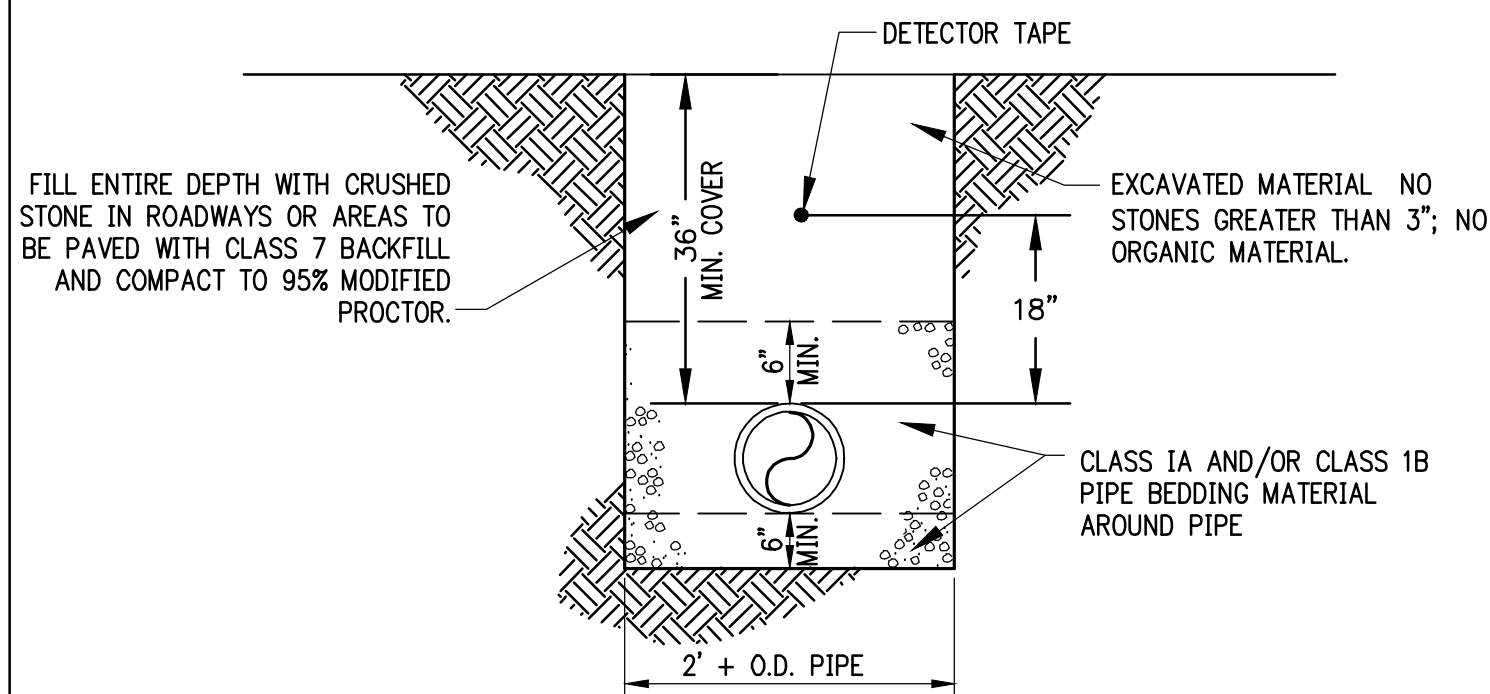
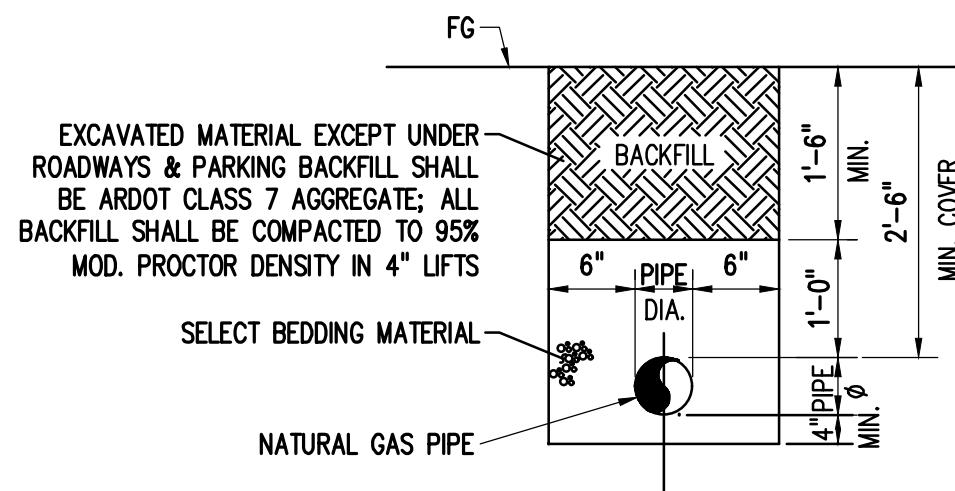


NOTES ON DRAIN
 1. GRATES SHALL BE DUCTILE IRON PER ASTM A536 GRADE 70-50-05.
 2. DRAIN TO BE NYLOPLAST 2712AG OR APPROVED EQUAL WITH 12" RISER PIPE.
 3. DRAINAGE CONNECTION STUB JOINT TIGHTNESS SHALL CONFORM TO ASTM D3212 FOR CORRUGATED HDPE (ADS N-12/HANCOR DUAL WALL), & PVC SEWER

12" DRAIN DETAIL
 NTS



TRENCH/PIPE BEDDING FOR SEWER SANITARY SEWER MAINS
 NTS

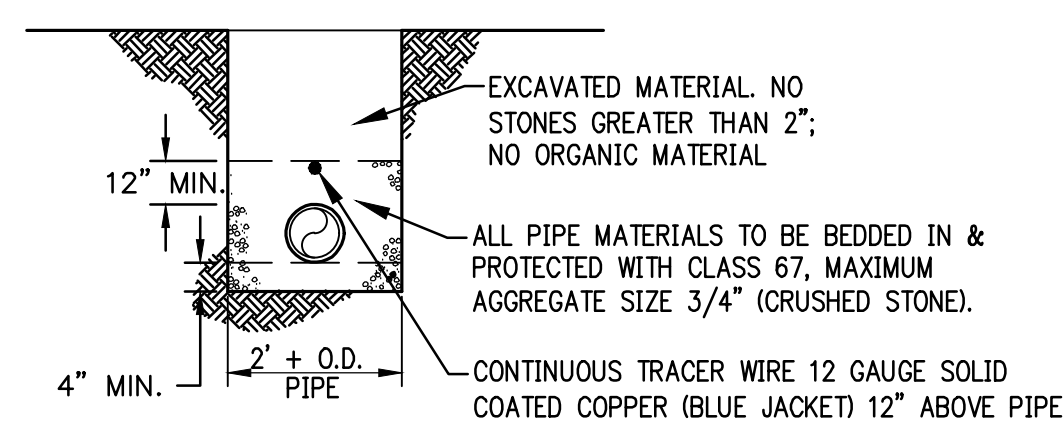


NOTES ON GAS TRENCH

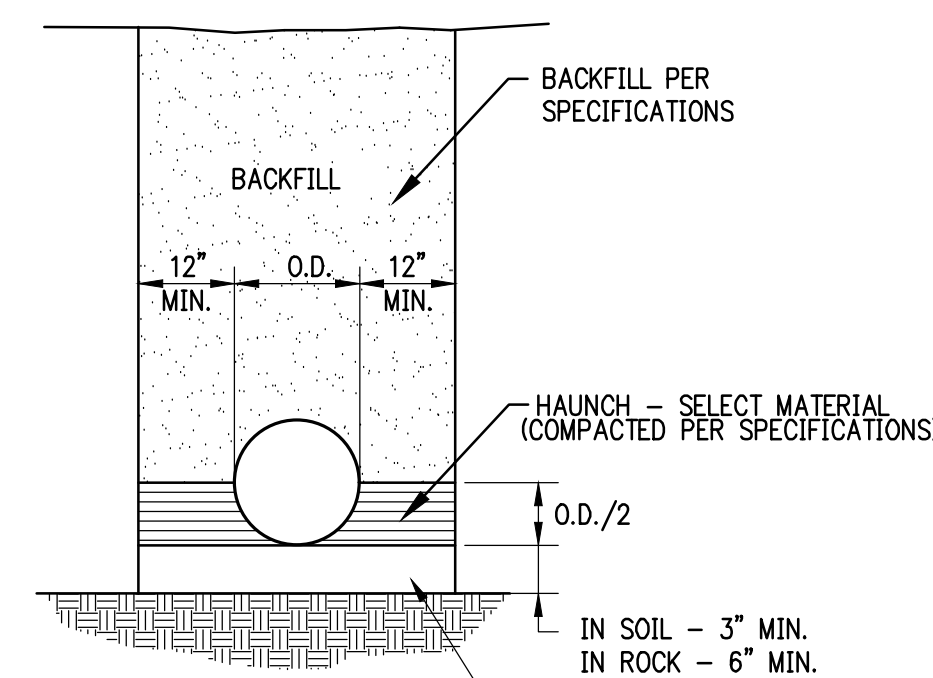
1. SELECT BEDDING MATERIAL SHALL BE PIT RUN OR WASHED GRAVEL FREE OF MATERIAL OR STONES LARGER THAN 1 1/2" IN ANY DIMENSION.
2. UNDER EXISTING OR PROPOSED STREETS OR DRIVEWAYS, DEPTH TO TOP OF PIPELINE TO BE 3'-0" MINIMUM, AS APPLICABLE, FROM THE LOWER OF:
 - a. TOP OF CURB
 - b. NATURAL GROUND
 - c. PROPOSED FINISHED GRADE

GAS PIPE TRENCH DETAIL
 SCALE: N.T.S.

NOTES:
 1. FILL ENTIRE DEPTH WITH CLASS 7 CRUSHED STONE IN ROADWAYS OR AREAS TO BE PAVED. REFER TO CONCRETE CROSSING REPAIR.

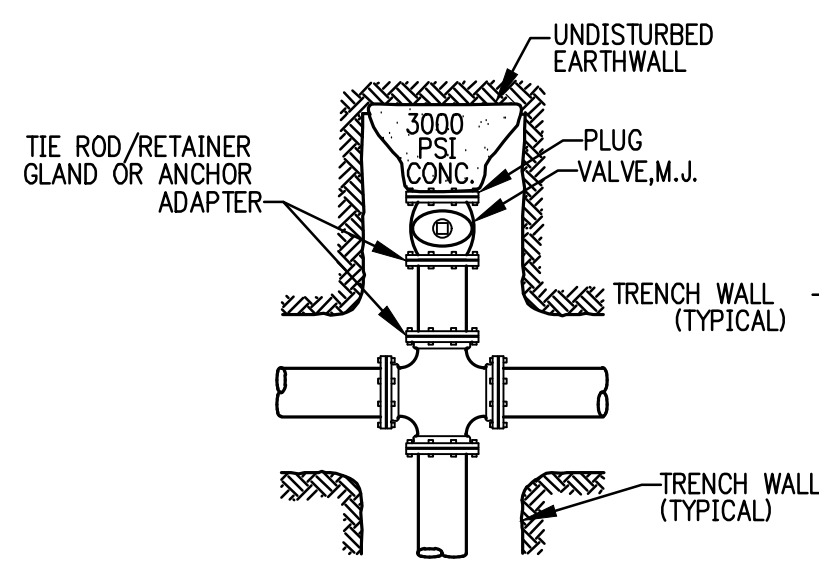
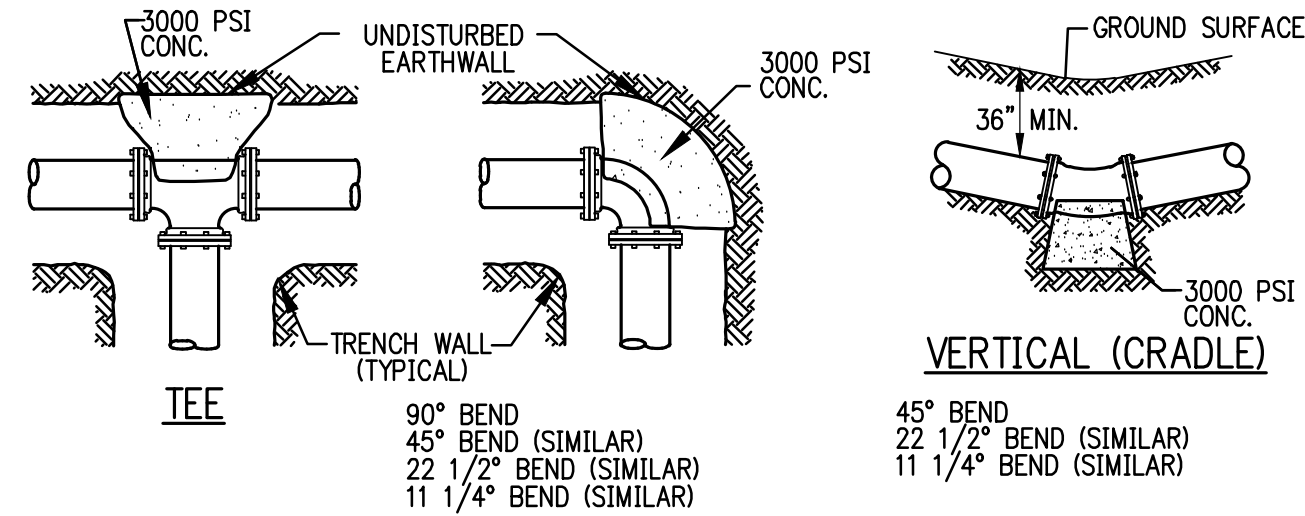


TRENCH/PIPE BEDDING FOR WATER MAINS
 NTS



DRAINAGE PIPE INSTALLATION
 NTS

- NOTES:**
1. ALL FITTINGS SHALL BE MECHANICAL JOINT WITH RETAINER GLANDS.
 2. DO NOT COVER BELLS OR FLANGES WITH CONCRETE.
 3. WRAP ALL FITTINGS WITH VISQUEEN.
 4. BACK ALL TEES ACCORDING TO SIZE OF BRANCH.
 5. BACKING FUTURE LINE EXTENSIONS SHALL BE SUCH THAT LATER REMOVAL IS POSSIBLE.
 6. ALL BENDS WHERE FITTINGS ARE USED, BOTH HORIZONTAL AND VERTICAL, SHALL BE ANCHORED BY THRUST BLOCKING.
 7. REACTION BACKING TABLE IS BASED ON 200 P.S.I. + WATER HAMMER (50% MINIMUM AND SOIL BEARING PRESSURE OF 2,000 LB./SQ. FT. ADDITIONAL BACKING MAY BE REQUIRED IN SOME AREAS AS DIRECTED BY ENGINEER.



CROSS WITH PLUG/CAP TEE WITH PLUG (SIMILAR) THRUST BLOCKING
 NTS

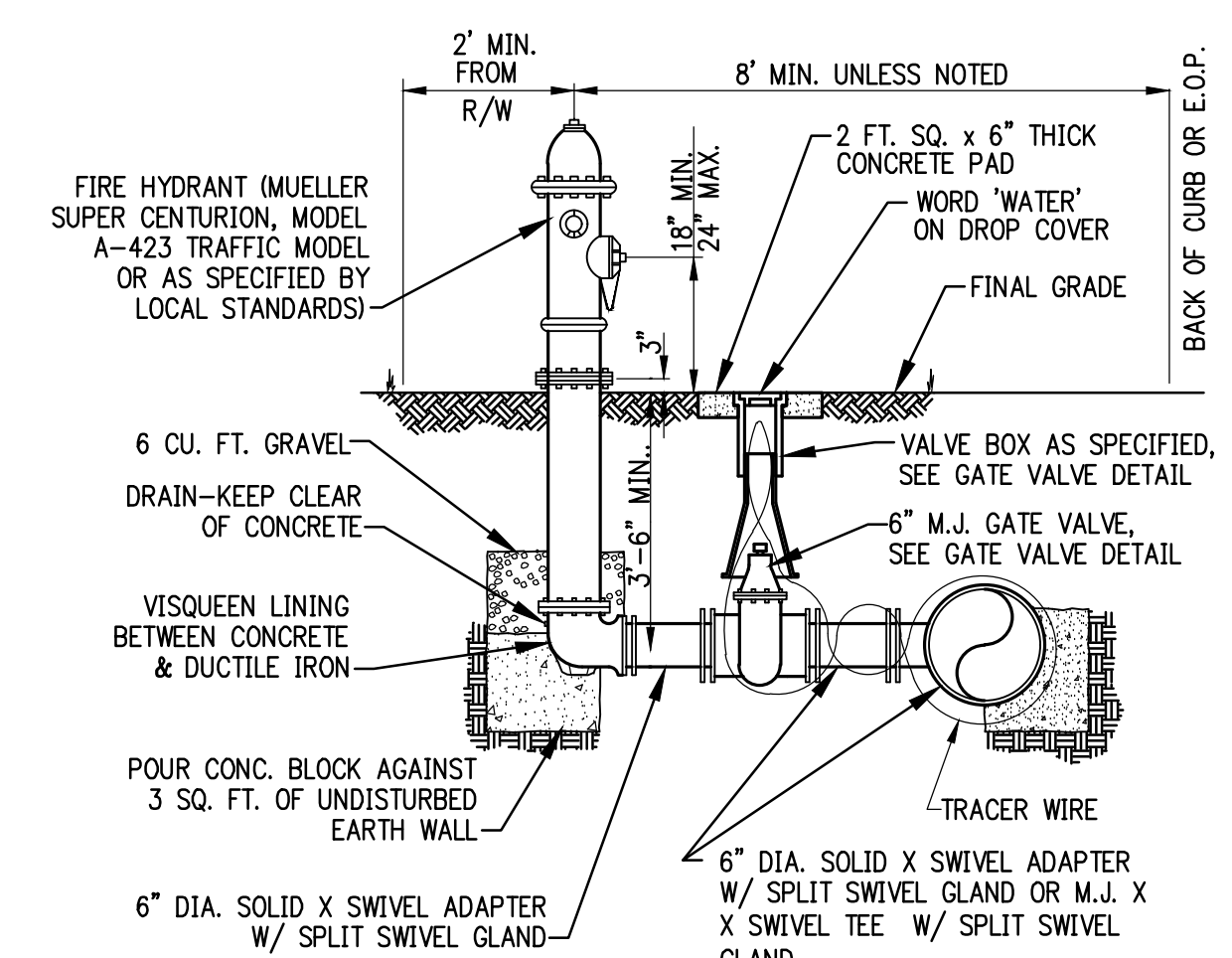
SIZE	TYPE OF FITTINGS				
	TEE OR PLUG/CAP	90°	45°	22 1/2°	11 1/4°
2"	1	1	1	1	1
3"	1	1	1	1	1
4"	2	2	1	1	1
6"	3	3	2	1	1
8"	4	4	3	2	2
12"	10	10	5	3	2
20"	26	26	14	7	4
24"	38	38	20	10	7
30"	59	59	32	16	10

- NOTES:**
1. UNDER PAVEMENT, BACKFILL ENTIRE EXCAVATION WITH ARDOT CLASS 7 AGGREGATE BASE MATERIAL COMPACTED IN 8" LIFTS TO A MINIMUM OF 95% MODIFIED PROCTOR DENSITY.

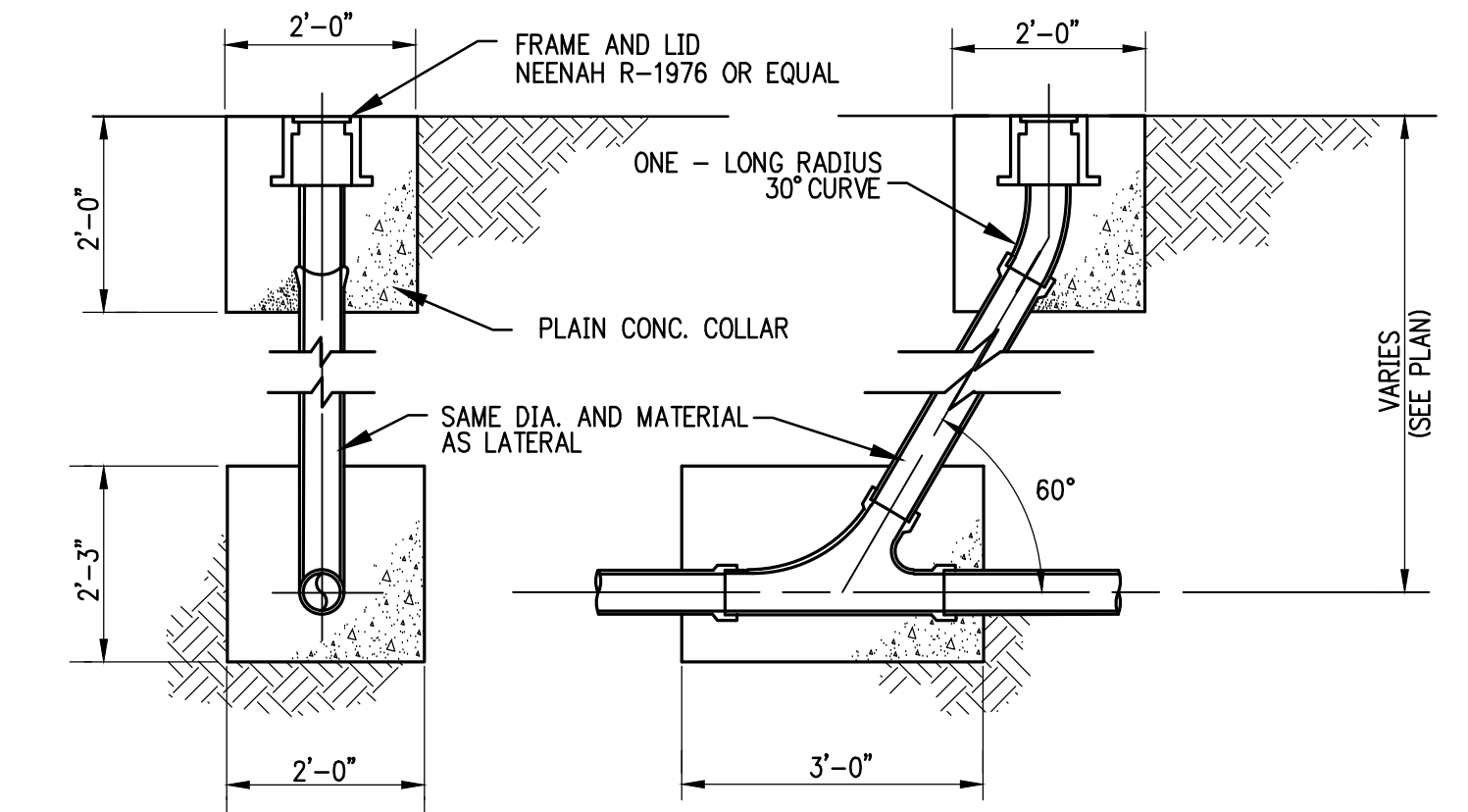
CONSTRUCTION SEQUENCE

1. PLACE SELECT BEDDING MATERIAL TO GRADE.
2. COMPACT SELECT BEDDING BELOW THE PIPE.
3. INSTALL PIPE TO GRADE.
4. PLACE AND COMPACT THE HAUNCH AREA UP TO THE MIDDLE OF THE PIPE.
5. COMPLETE BACKFILL ACCORDING TO SPECIFICATIONS.

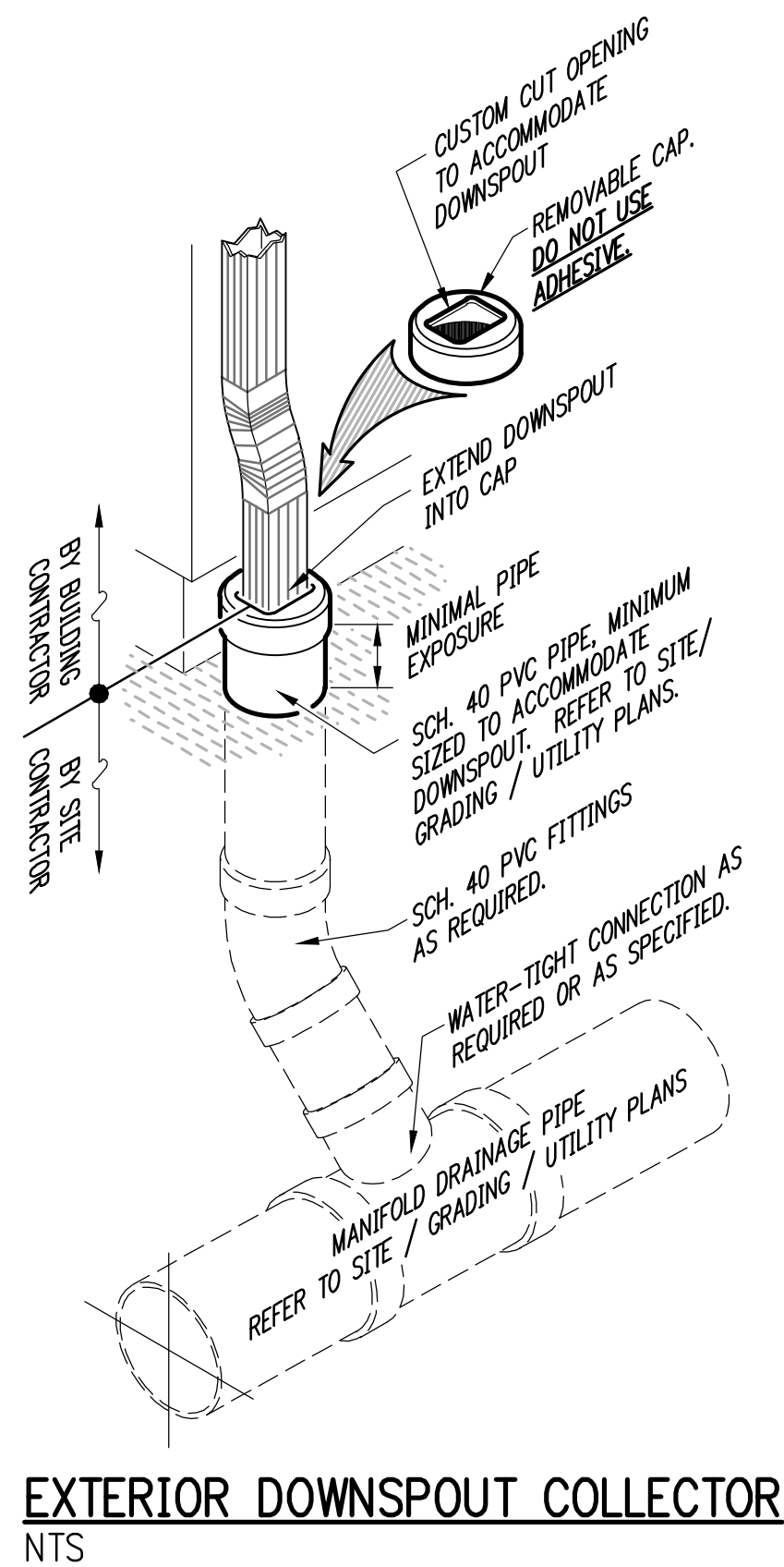
- NOTES:**
1. ALL HYDRANTS TO BE SET PLUMB W/ NOZZLE FACING STREET.
 2. LEADER LENGTHS OVER 24" BETWEEN TEE AND VALVE OR VALVE AND HYDRANT, USE D.I. PIPE W/ RETAINER GLANDS.
 3. EXTENSION BARREL AND STEM FOR EXTRA BURY DEPTH IF NECESSARY.



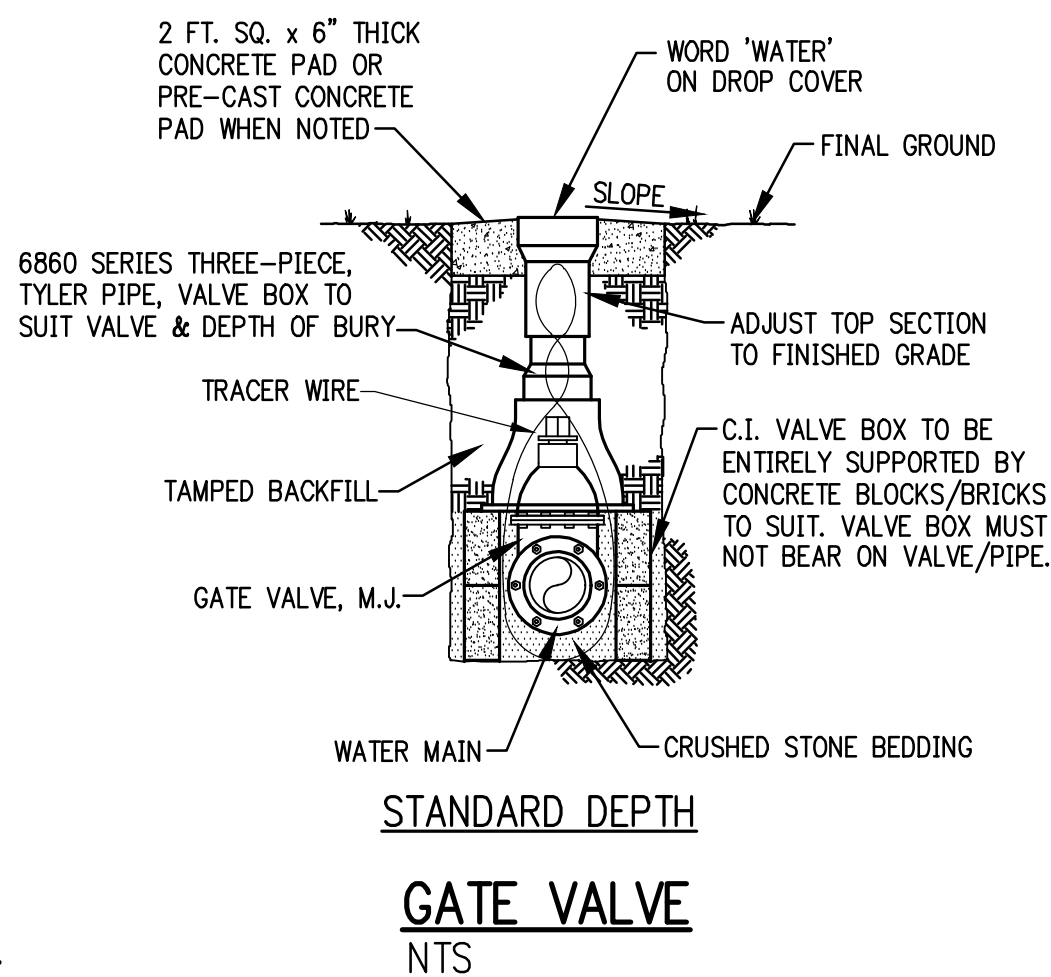
FIRE HYDRANT ASSEMBLY
 NTS



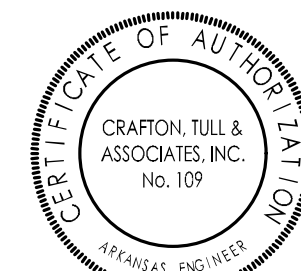
TYPICAL CLEANOUT
 NTS



EXTERIOR DOWNSPOUT COLLECTOR
 NTS



STANDARD DEPTH GATE VALVE
 NTS



A/E FIRMS
 PRIME/ARCH:
 STRATA ARCHITECTURE
 1571 GALE STREET,
 SUITE 100,
 KANSAS CITY, MO
 64116-4700

DESIGNED: MB
 CADD: RU
 TECH. REVIEW: MB
 DATE: 10.27.2023

SUB SHEET NO.
01
C5.2

TITLE OF SHEET
MAURICE BATHHOUSE
DETAILS SHT. 2
 REHABILITATE BATHHOUSES
 HOT SPRINGS NATIONAL PARK

DRAWING NO.
128
182951
 PMS/PKG NO.
 318915
 SHEET
 12 OF 286

Arkansas One Call

 Know what's below.
 Call before you dig.