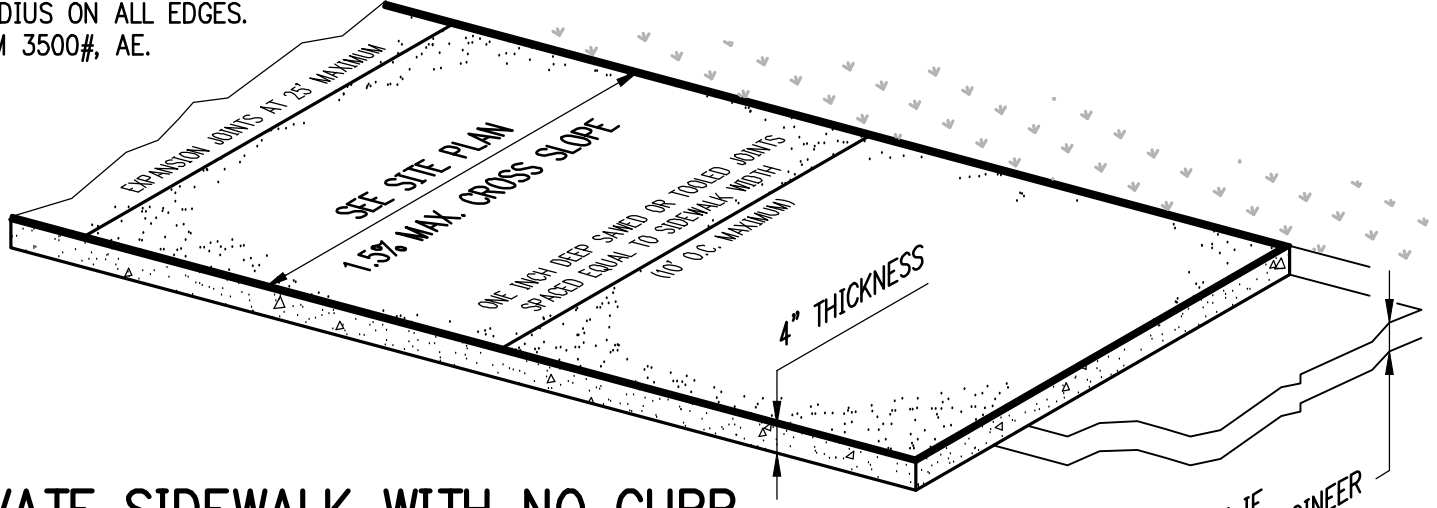


CONCRETE STAIR

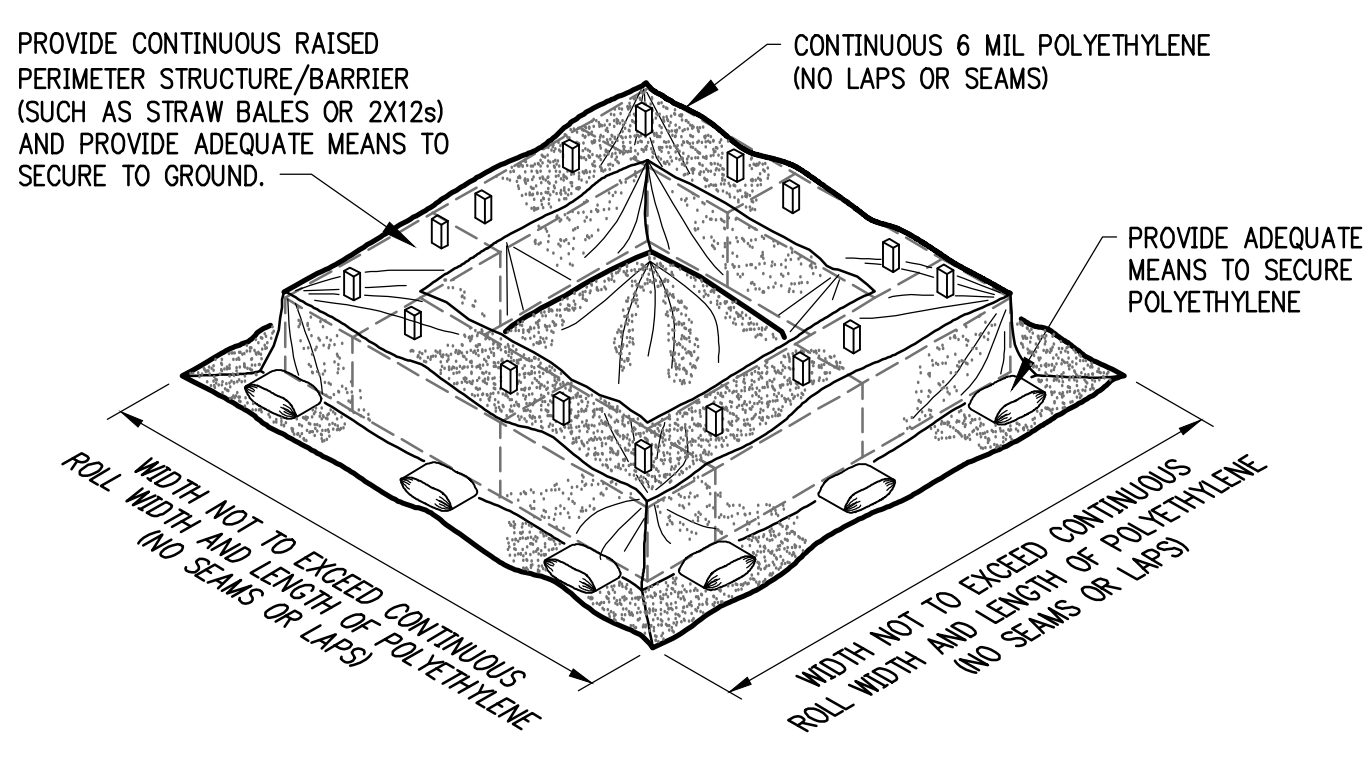
NTS NOTE: REFER TO SITE AND GRADING PLANS FOR STAIR LENGTH, RISE AND LOCATION

- NOTES:
1. PROVIDE 1/2" EXPANSION JOINT BETWEEN SIDEWALK AND ALL FIXED OBJECTS.
 2. PROVIDE 1/2" TOOLED RADIUS ON ALL EDGES.
 3. CONCRETE TO BE MINIMUM 3500#, AE.



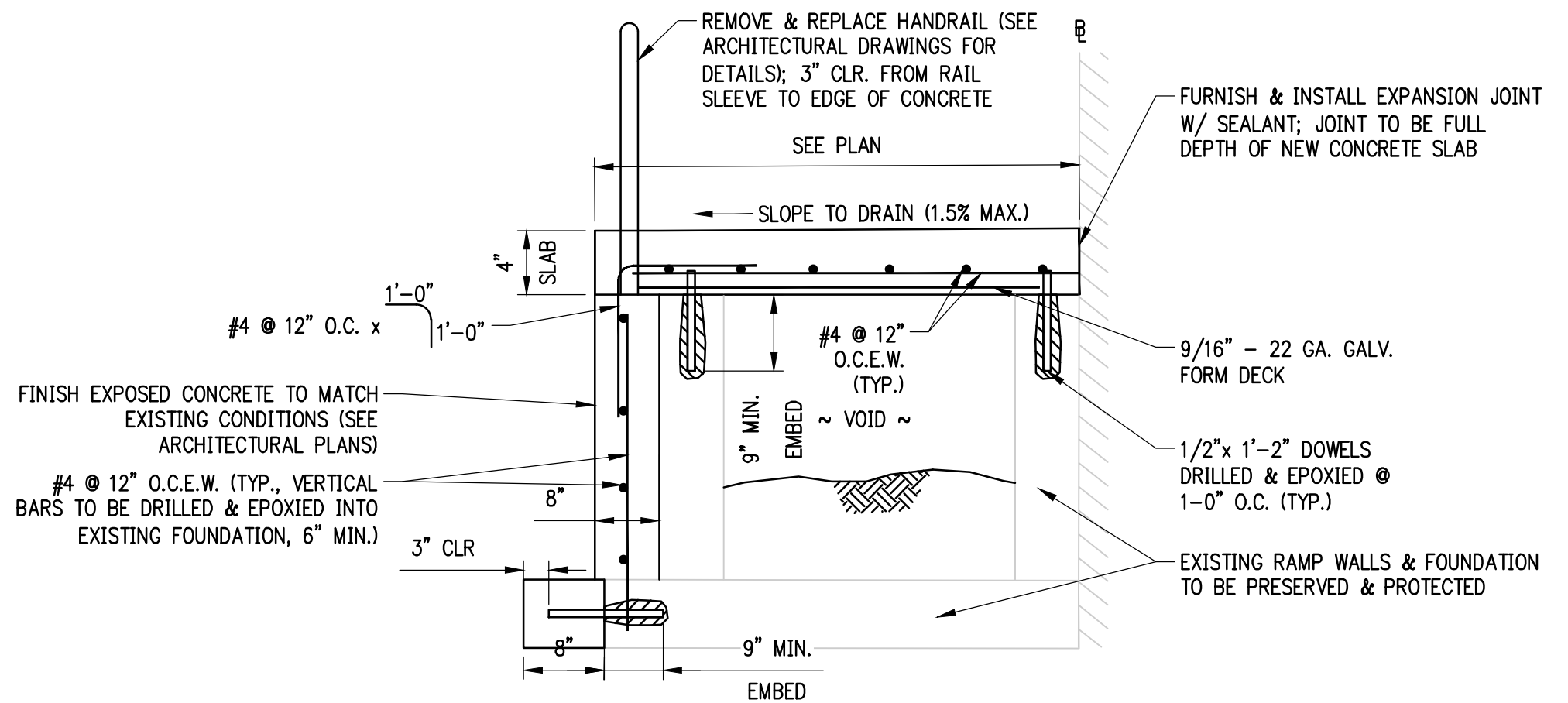
PRIVATE SIDEWALK WITH NO CURB

NTS



CONCRETE WASH-OUT BASIN

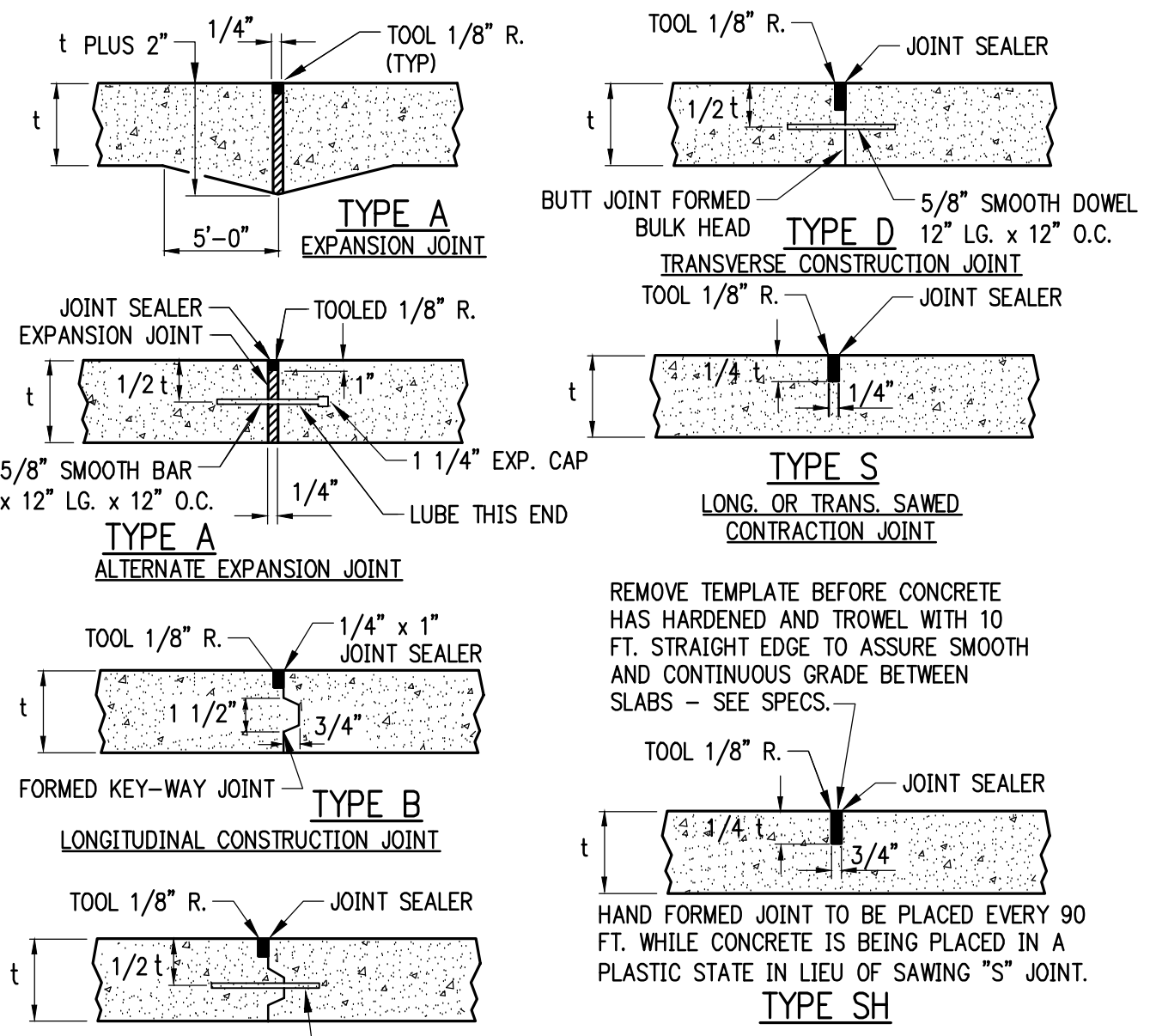
NTS



CONCRETE RAMP DETAIL 1

NTS

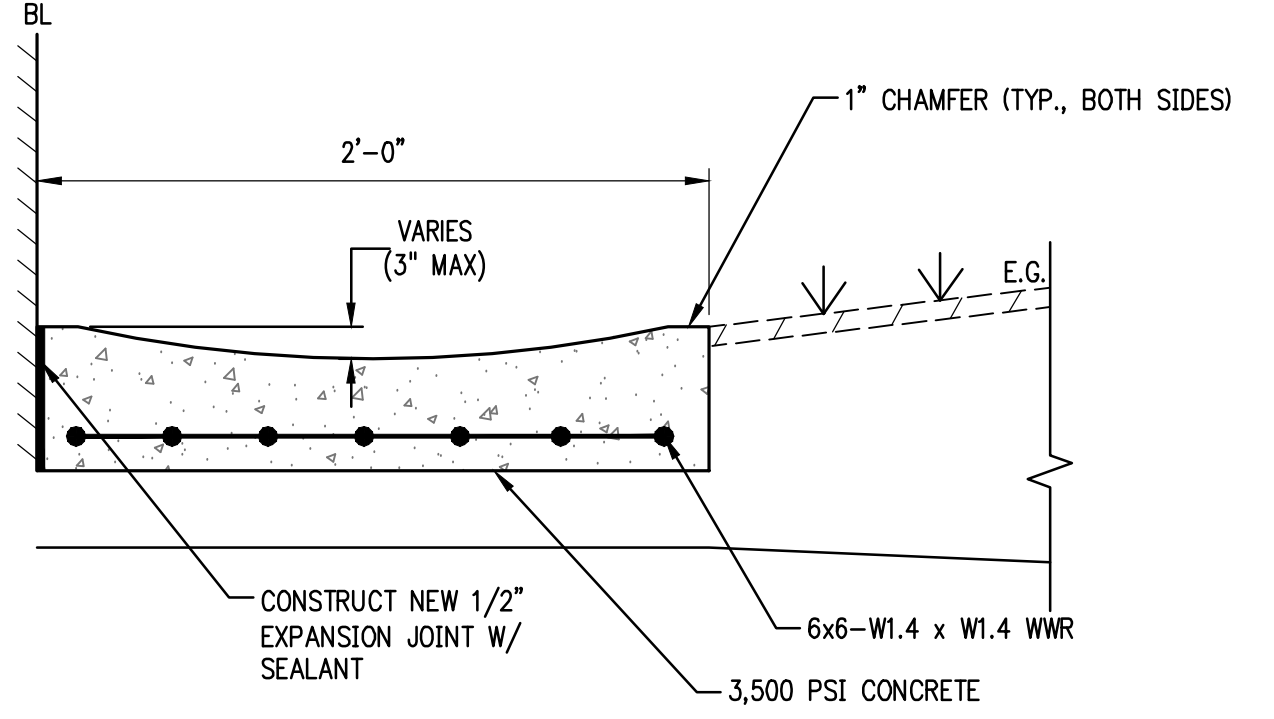
- NOTES:
1. EXISTING REINFORCING NOT SHOWN FOR CLARITY.
 2. EPOXY TO BE HILTI HIT-RE 500 OR APPROVED EQUAL.



CONCRETE PAVEMENT JOINTING DETAIL

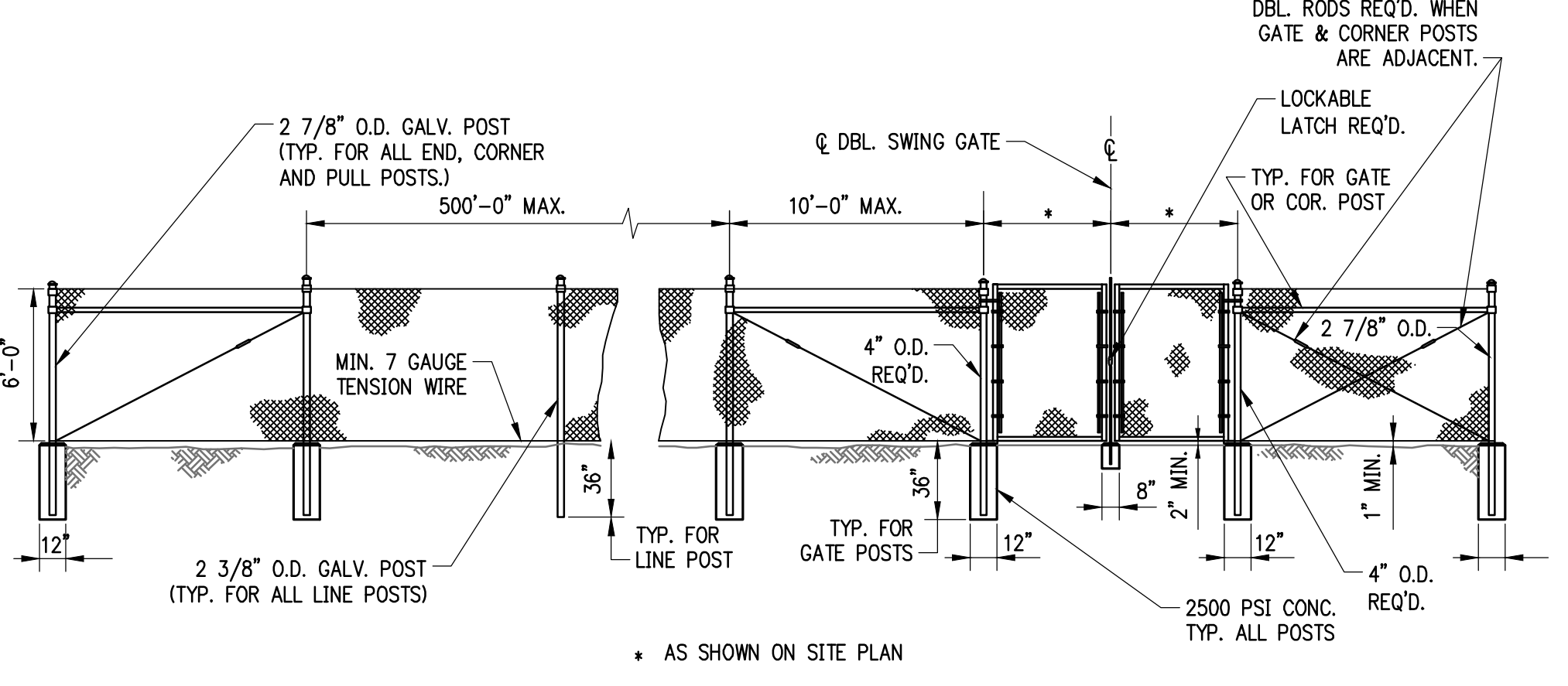
NTS

- NOTES:
1. ALL JOINTS SPACING NOT TO EXCEED 15'-0" INTERVALS.
 2. SAWED JOINTS SHALL BE CUT AS SOON AS POSSIBLE AFTER FINISH WORK IS COMPLETE & CONCRETE HAS CURED TO ACCEPT TYPE OF SAW EQUIPMENT.
 3. ASSURE SAW JOINTS ARE CLEAN AND DRY PRIOR TO THE APPLICATION OF THE JOINT SEALANT.
 4. SPECIFIED JOINT SEALANT APPLIED IN ACCORDANCE WITH SEALANT MANUFACTURER'S REQUIREMENTS SEALANT TOOLED 1/8" BELOW PAVEMENT SURFACE.
 5. DRILLING BY HAND OR PUSHING DOWEL BARS INTO GREEN CONCRETE IS NOT ACCEPTABLE.
 6. COMPLETELY FILL HOLE WITH EPOXY GROUT AND INSERT DOWEL WITH EXPANSION CAPS.
 7. DOWELS SHALL BE ALIGNED PERPENDICULAR TO THE JOINT.



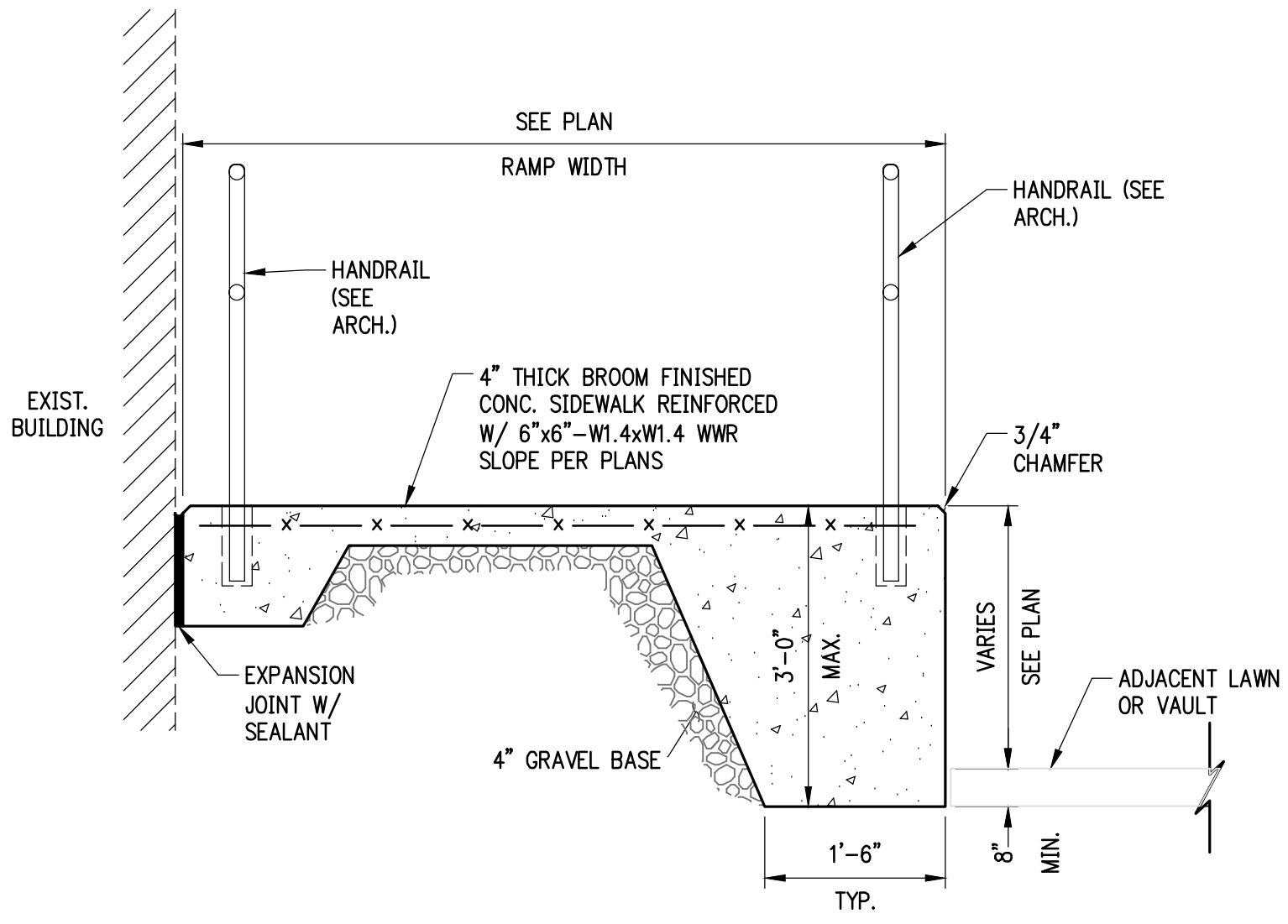
CONCRETE RUNNEL DETAIL

NTS



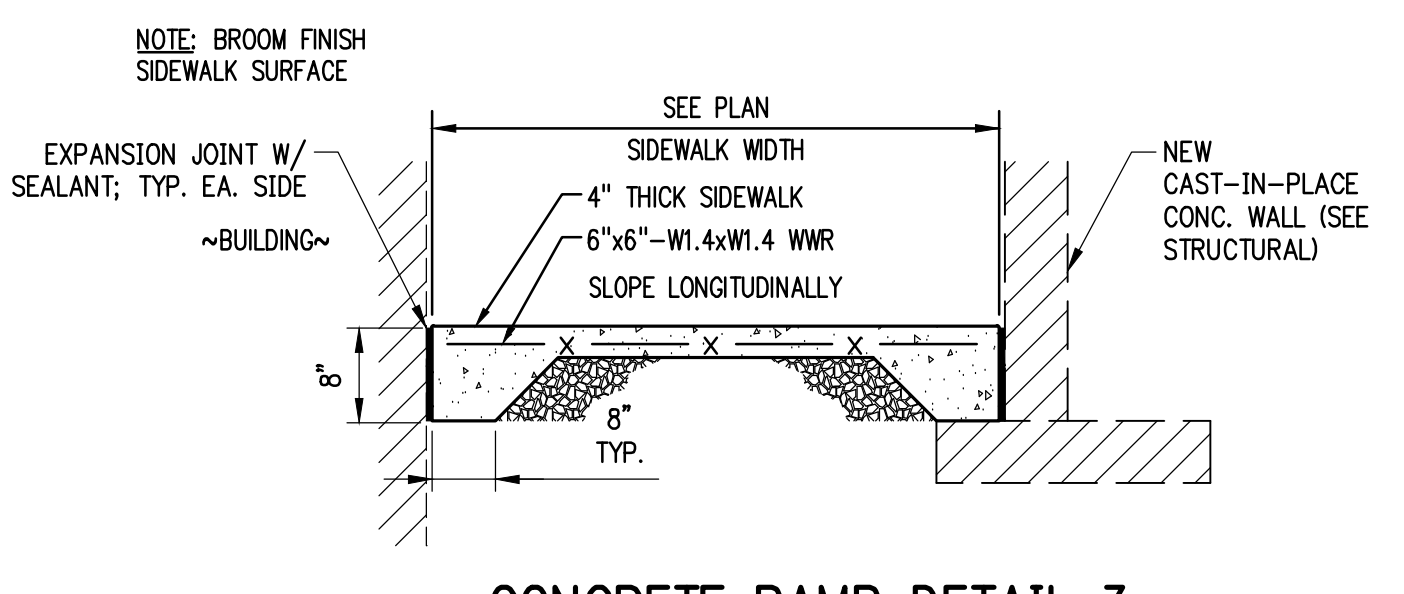
CHAIN LINK FENCE

NTS



CONCRETE RAMP DETAIL 2

NTS



CONCRETE RAMP DETAIL 3

NTS

Arkansas One Call



Know what's below.

Call before you dig.

A/E FIRMS PRIME/ARCH: STRATA ARCHITECTURE 1501 GARDEN STREET SUITE 100 KANSAS CITY, MO 64114-4700	DESIGNED: MB	SUB SHEET NO. 01 C5.1	TITLE OF SHEET MAURICE BATHHOUSE DETAILS SHT. 1	DRAWING NO. 128 182951
CRAFTON TULL & ASSOCIATES, INC. No. 109 ARIZONA ENGINEER	CADD: RU		REHABILITATE BATHHOUSES HOT SPRINGS NATIONAL PARK	PMIS/PKG NO. 318915
CRAFTON TULL 1015 AIRPORT ROAD HOT SPRINGS, AR 71913 P: 501.787.2566	TECH. REVIEW: MB			SHEET 11 OF 286
	DATE: 10.27.2023			

