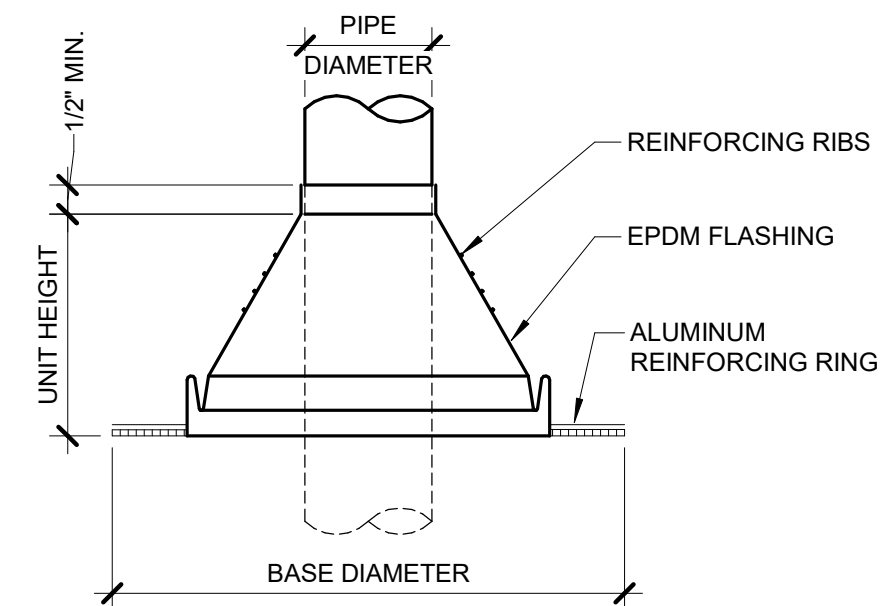
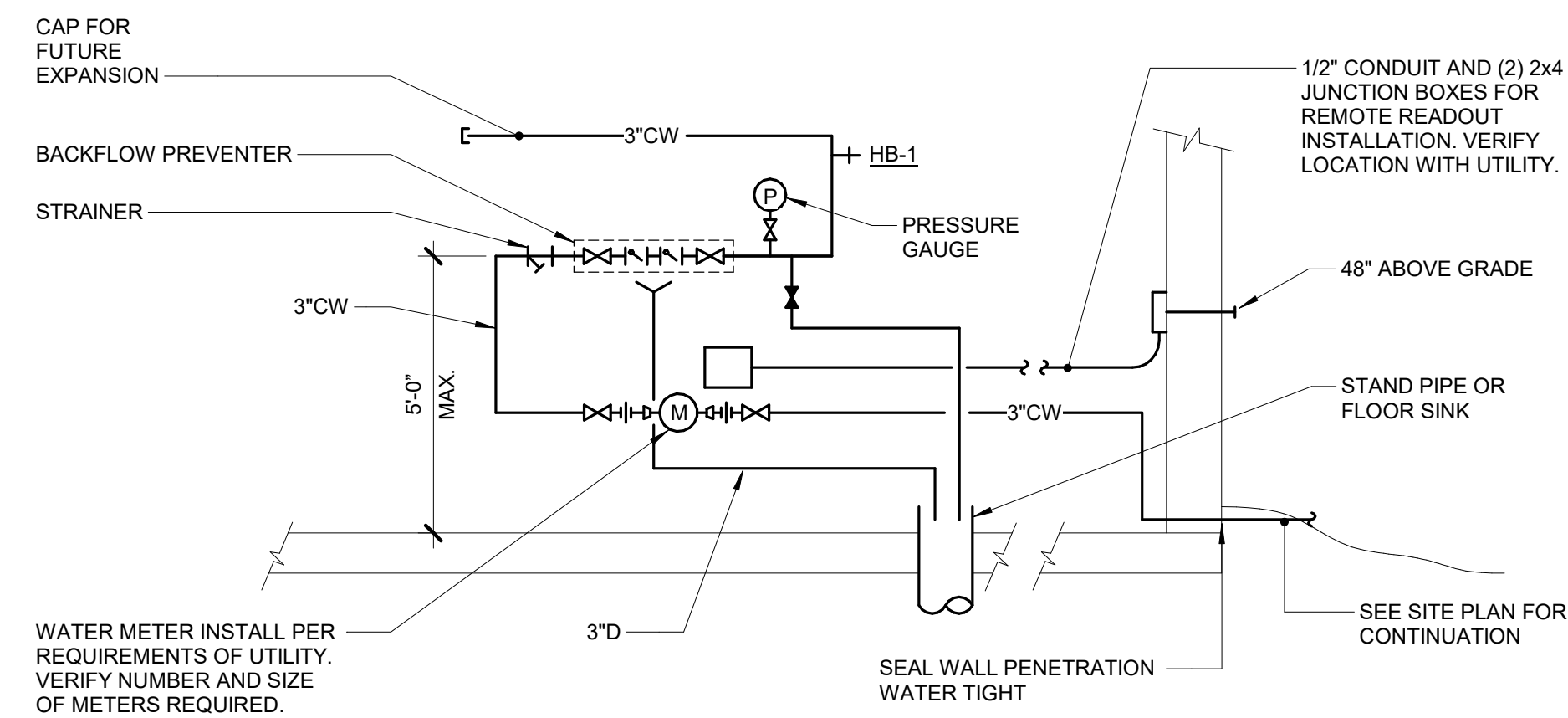


NOTES:

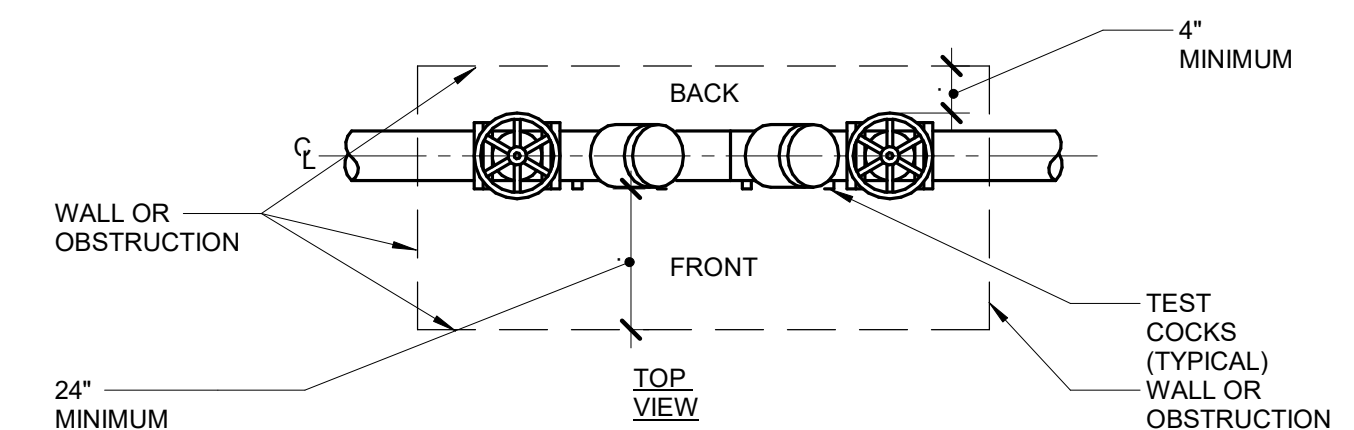
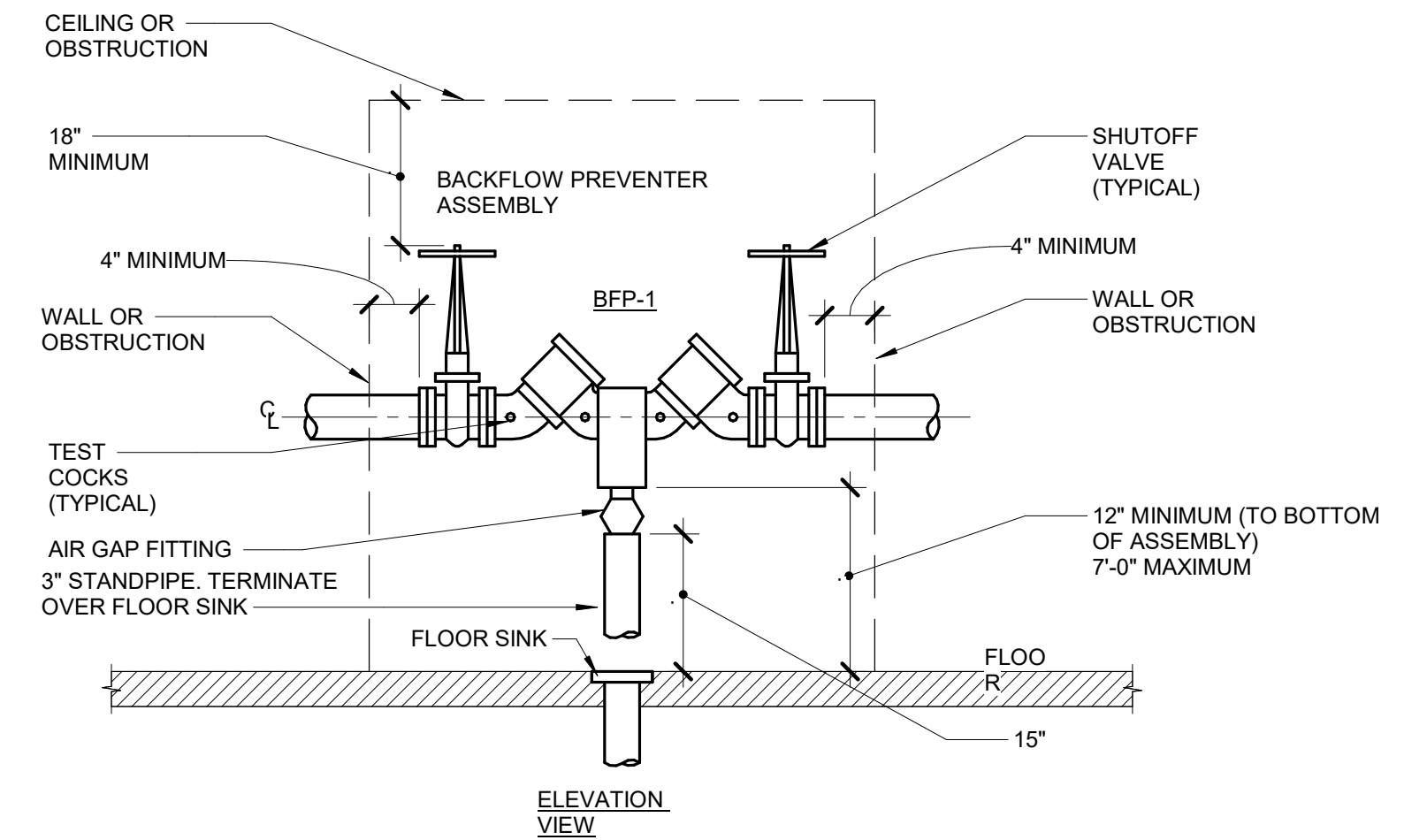
1. REFER TO SPECIFICATION SECTIONS (SECTION 22 05 29-PLUMBING, SECTION 23 05 29-HVAC) & (SECTION 22 07 19-PLUMBING, SECTION 23 07 19-HVAC).

1 PIPE - HANGERS AND SUPPORTS
NO SCALE



NOTES:

1. UNIT SHALL BE INSTALLED IN FLAT AREA ON ROOF.
2. UNIT TO BE COMPATIBLE WITH BUILDING ROOF.



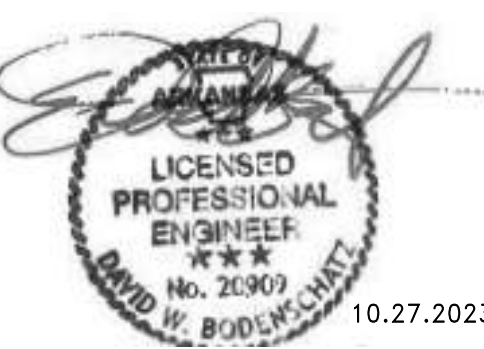
NOTES:

1. REFER TO MATERIAL LIST FOR ASSEMBLY TYPE, SIZE, AND CONFIGURATION.

2 BACKFLOW PREVENTER DETAIL
NO SCALE

3 DOMESTIC WATER ENTRANCE SINGLE METER
NO SCALE

4 VENT PIPE FLASHING THROUGH METAL ROOF
NO SCALE



10.27.2023

A/E FIRMS	DESIGNED:	SUB SHEET NO.	TITLE OF SHEET	DRAWING NO.
ARCH: QUINN EVANS 219 1/2 N. MAIN STREET ANN ARBOR, MI T: 734.663.5888	SGB	02 P5.0	LIBBEY BATHHOUSE PLUMBING DETAILS	128 182951
MEP/ENG: IMEG CORP. 1400 BALTIMORE STREET, SUITE 300 KANSAS CITY, MO T: 816.842.8437	WMM		REHABILITATE BATHHOUSES HOT SPRINGS NATIONAL PARK	PMIS/PKG NO. 318915
	SCB			SHEET 231 OF 286
	DATE:	10.27.2023		

10/27/2023 11:50:47 AM