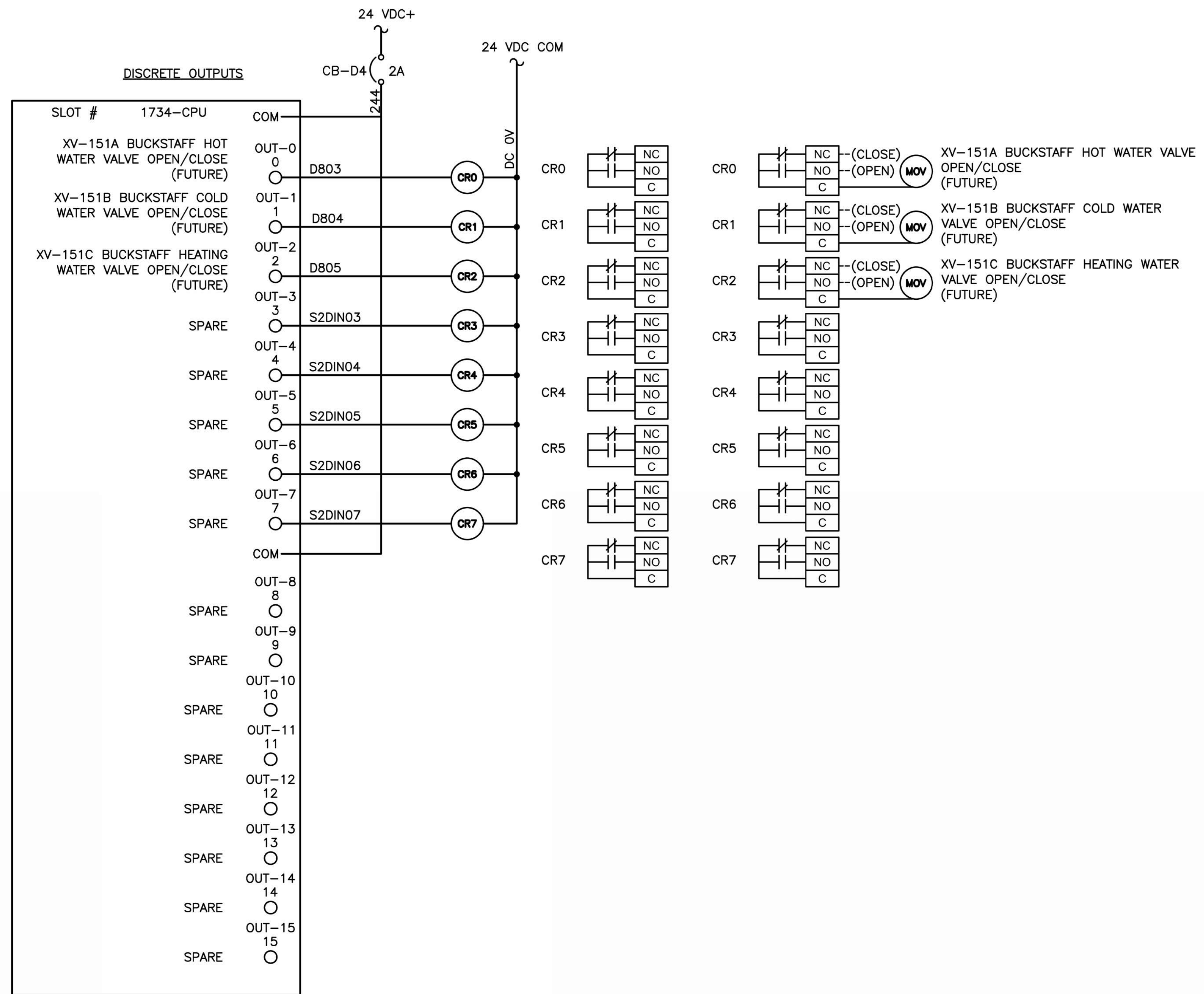


GENERAL NOTES:

- A. SCHEMATIC TO ILLUSTRATE WIRING REQUIREMENTS FOR CONTROL PANEL. REFER TO IO LIST FOR ASSIGNED IO.



FINAL CONSTRUCTION DOCUMENTS

A/E FIRM PRIME: KENNETH HAHN ARCHITECTS, INC. OMAHA, NE. SUBCONTRACTOR: ALVINE ENGINEERING OMAHA, NE. HDR DENVER, CO.	DESIGNED: B. CASSITY	SUB SHEET NO. Y4-05	TITLE OF SHEET TYPICAL DO WIRING	DRAWING NO. _____
	DRAWN BY: N. LYNCH		BUCKSTAFF BATHHOUSE HVAC HOT SPRINGS NATIONAL PARK HOT SPRINGS, AK	PMIS/PKG NO. 177425
	TECH. REVIEW:			SHEET 57 OF 60
	DATE:			