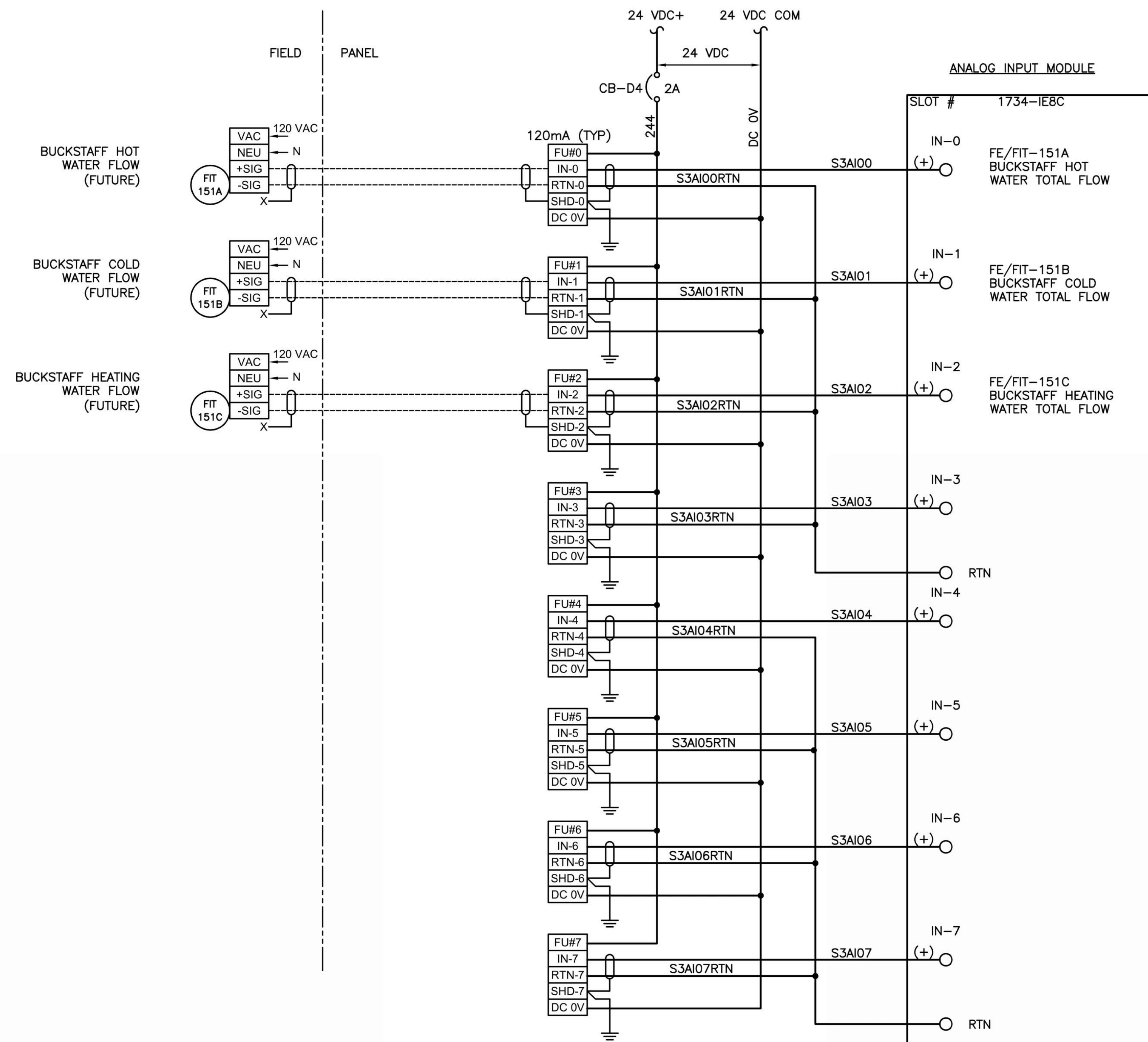


GENERAL NOTES:

- A. SCHEMATIC TO ILLUSTRATE WIRING REQUIREMENTS FOR CONTROL PANEL. REFER TO IO LIST FOR ASSIGNED IO.
- B. CONTRACTOR RESPONSIBLE TO PROVIDE SURGE PROTECTION DEVICES



FINAL CONSTRUCTION DOCUMENTS

A/E FIRM PRIME: KENNETH HAHN ARCHITECTS, INC. OMAHA, NE. SUBCONTRACTOR: ALVINE ENGINEERING OMAHA, NE. HDR DENVER, CO.	DESIGNED: B. CASSITY	SUB SHEET NO. Y4-04	TITLE OF SHEET TYPICAL AI WIRING	DRAWING NO. _____
	TECH. REVIEW:		DATE:	BUCKSTAFF BATHHOUSE HVAC HOT SPRINGS NATIONAL PARK HOT SPRINGS, AK