

A

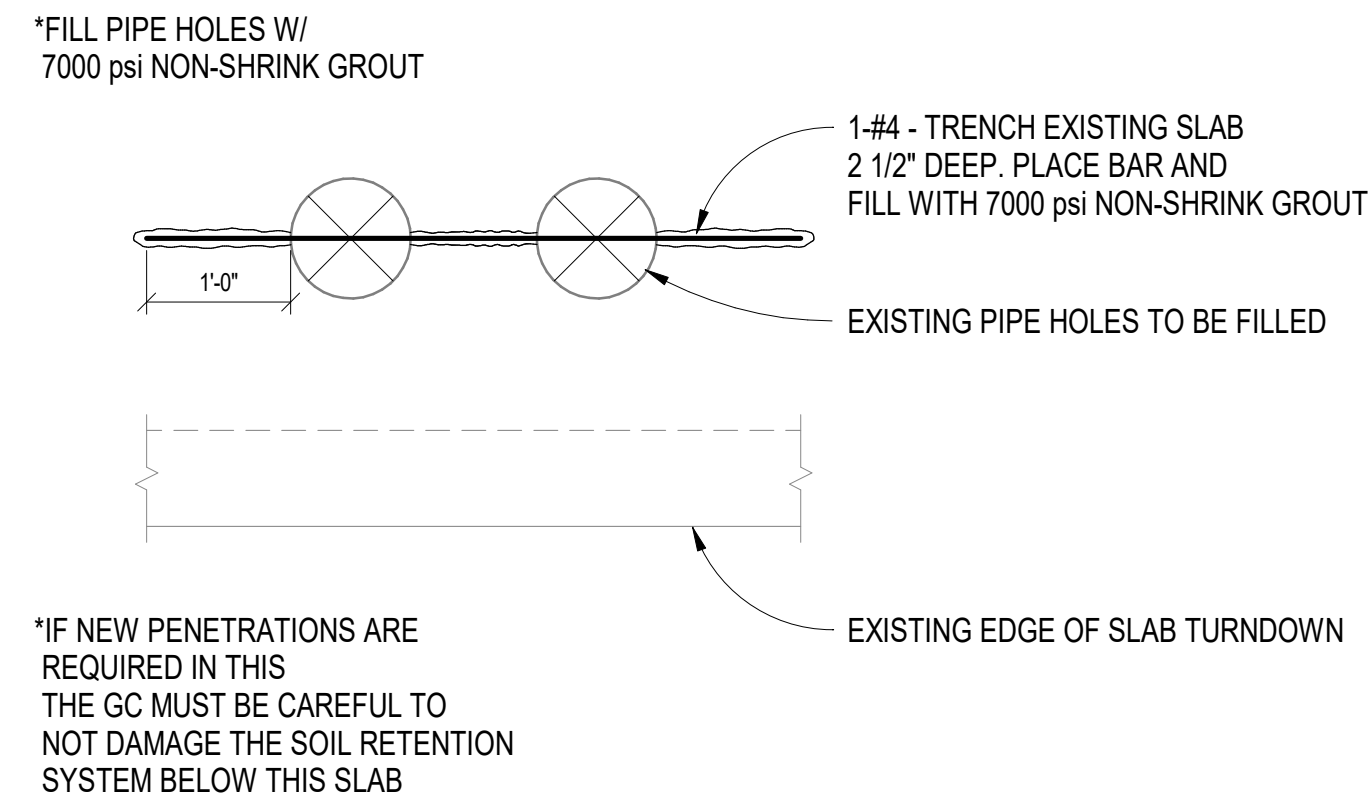
B

C

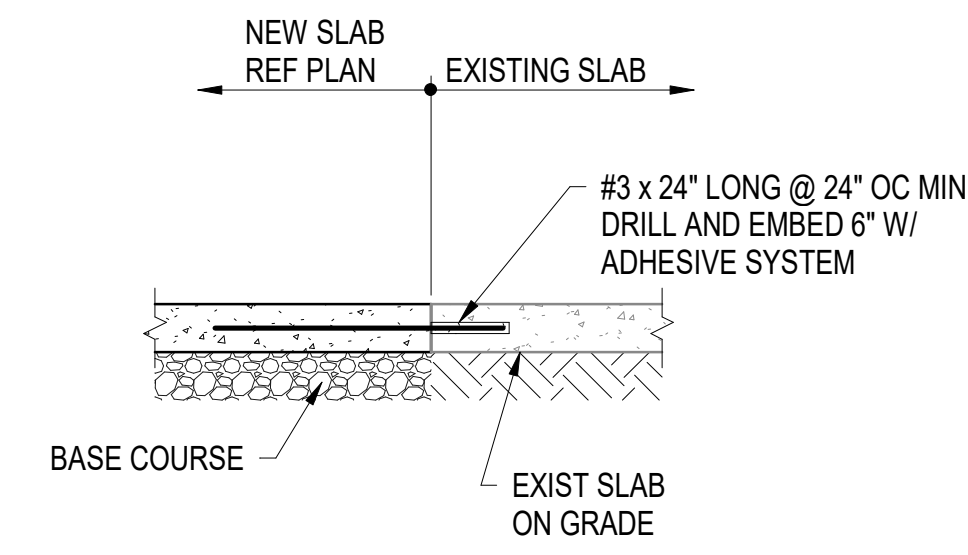
D

E

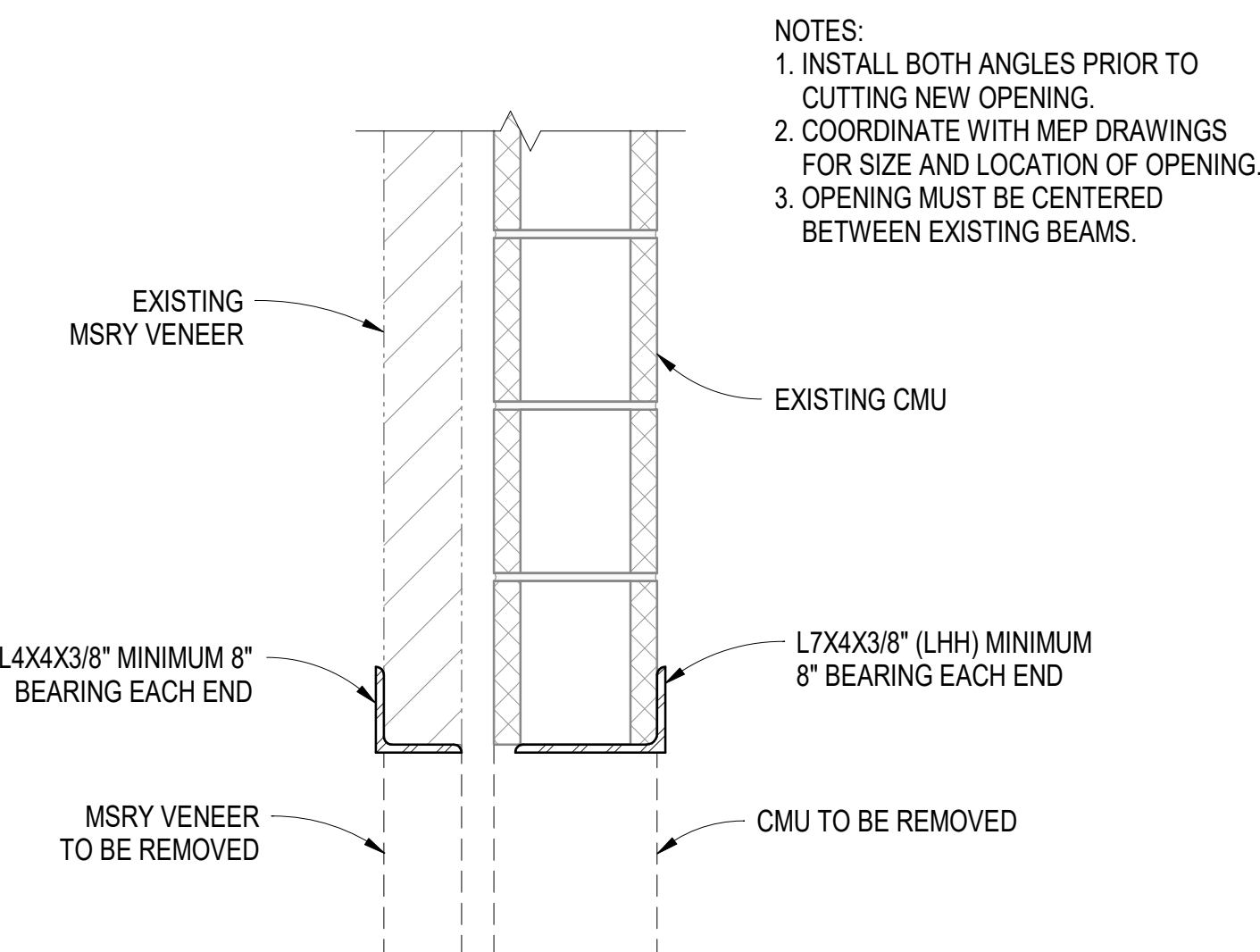
F



B3 DETAIL
3/4" = 1'-0"



B7 DETAIL
3/4" = 1'-0"



D1 SECTION AT NEW DUCT OPENING
1 1/2" = 1'-0"

4/12/2024 9:46:35 AM
E:\360\BPA_Collaborate\F2022\2096_STRU_VAMC Ozark System Processing_R201.rvt

| Revision Number | Revisions: | Date: |
|-----------------|------------|-------|
| | | |
| | | |
| | | |
| | | |

CONSULTANTS
CONSULTING STRUCTURAL ENGINEERS

BRITT, PETERS AND ASSOCIATES INC
consulting engineers

ARCHITECT/ENGINEER OF RECORD

A/E:
HARRELL DESIGN GROUP PC
8016 TOWER POINT DRIVE
CHARLOTTE, NC 28227
704-814-1346
POC: LEE HARRELL PE, LEED AP, QcXP
PRESIDENT
HDG PROJECT: 19022

HARRELL
DESIGN GROUP PC
WWW.HARRELDG.COM
COPYRIGHT © 2022

STAMP

DRAWING TITLE
TYPICAL CONCRETE DETAILS

APPROVED

PHASE
CONSTRUCTION DOCUMENTS SUBMISSION

FULLY SPRINKLERED

PROJECT TITLE
RENOVATE SPACE FOR LOGISTICS (B-1)

LOCATION
FAYETTEVILLE VA MEDICAL CENTER

ISSUE DATE
11 APRIL 2024

CHECKED
MSR

DRAWN
JAC

PROJECT NUMBER
564-24-104

BUILDING NUMBER
1

DRAWING NUMBER
S301-A

Engineering Service

VETERANS HEALTH CARE SYSTEM OF THE OZARKS

VA U.S. Department of Veterans Affairs