

A

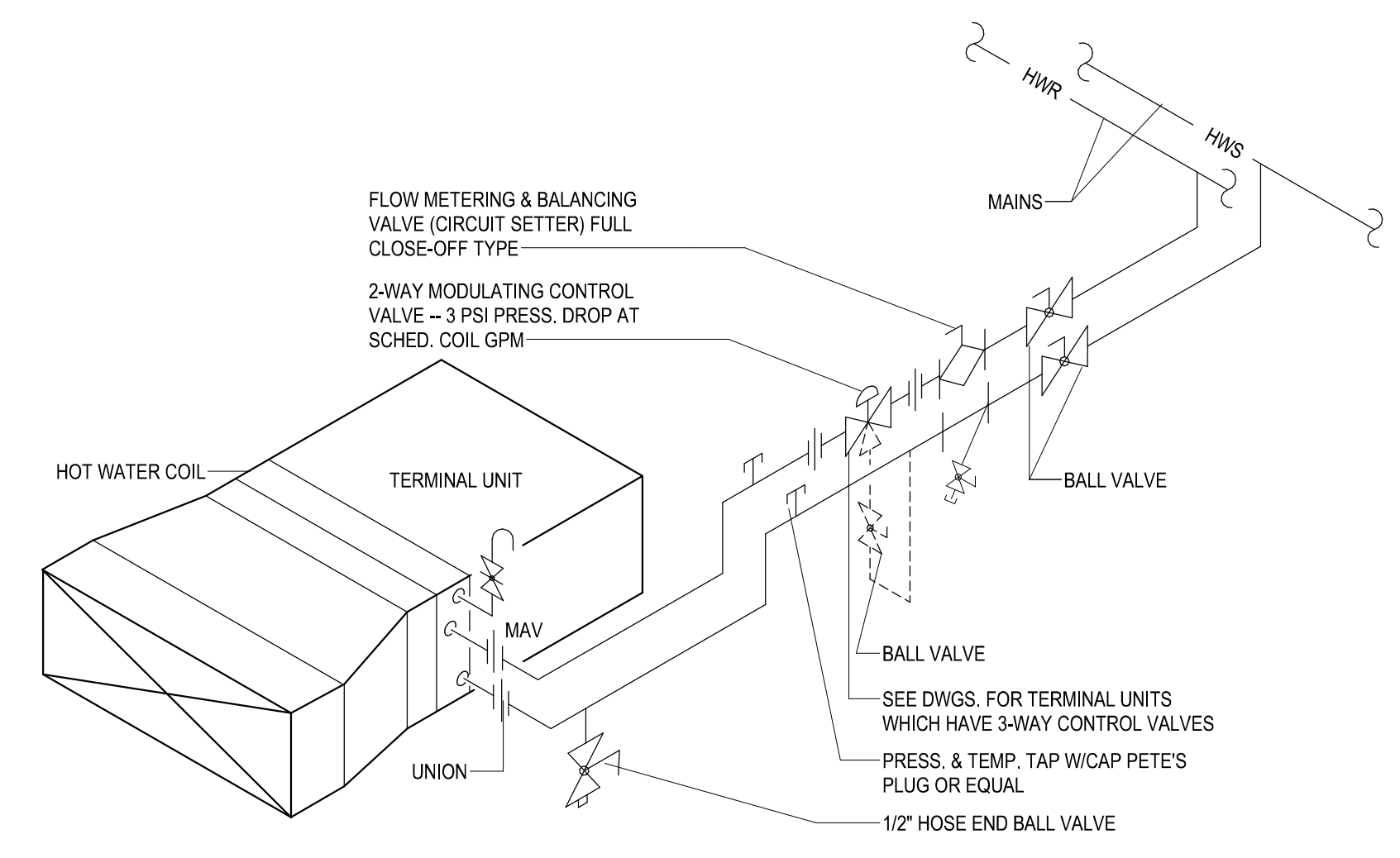
B

C

D

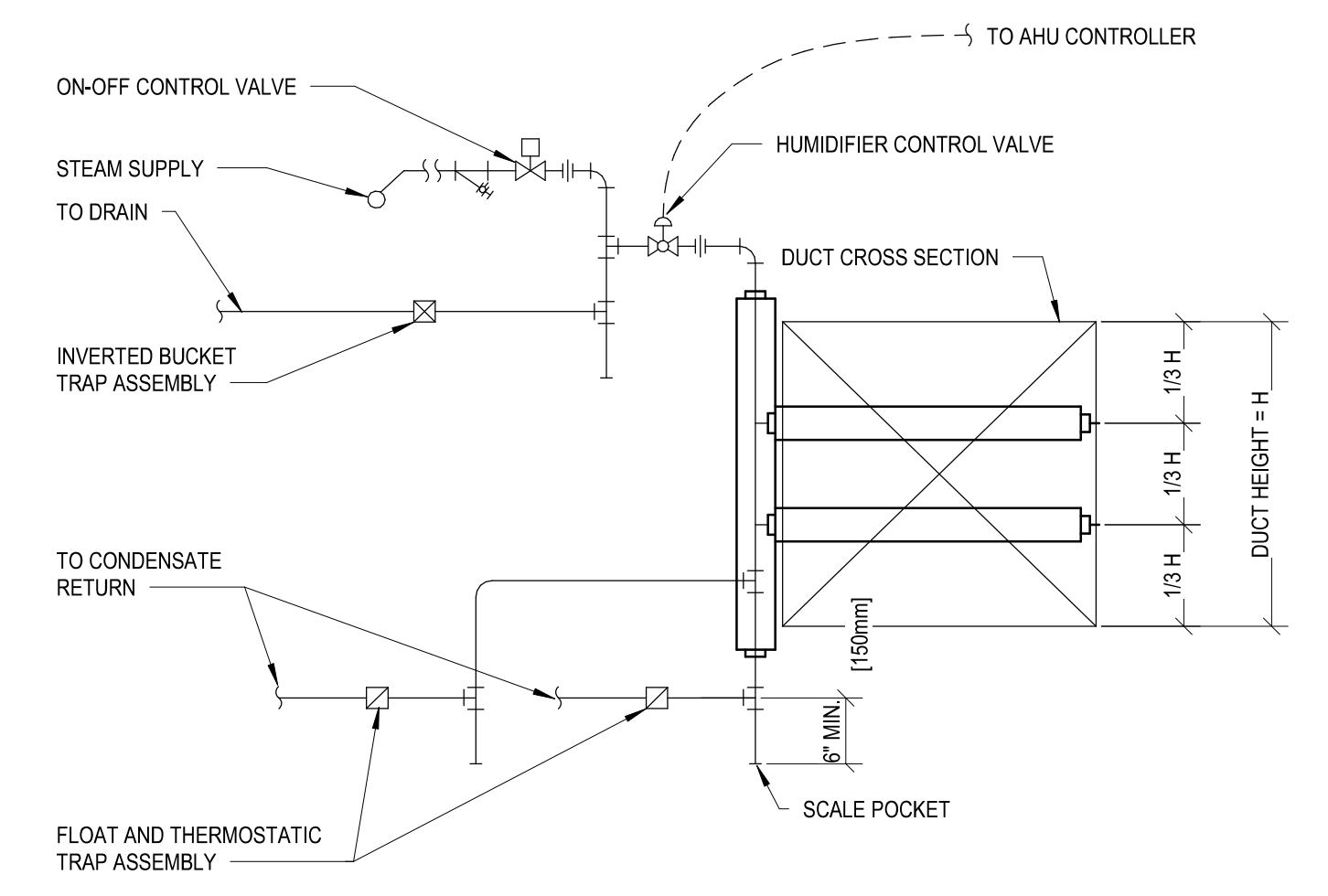
E

F



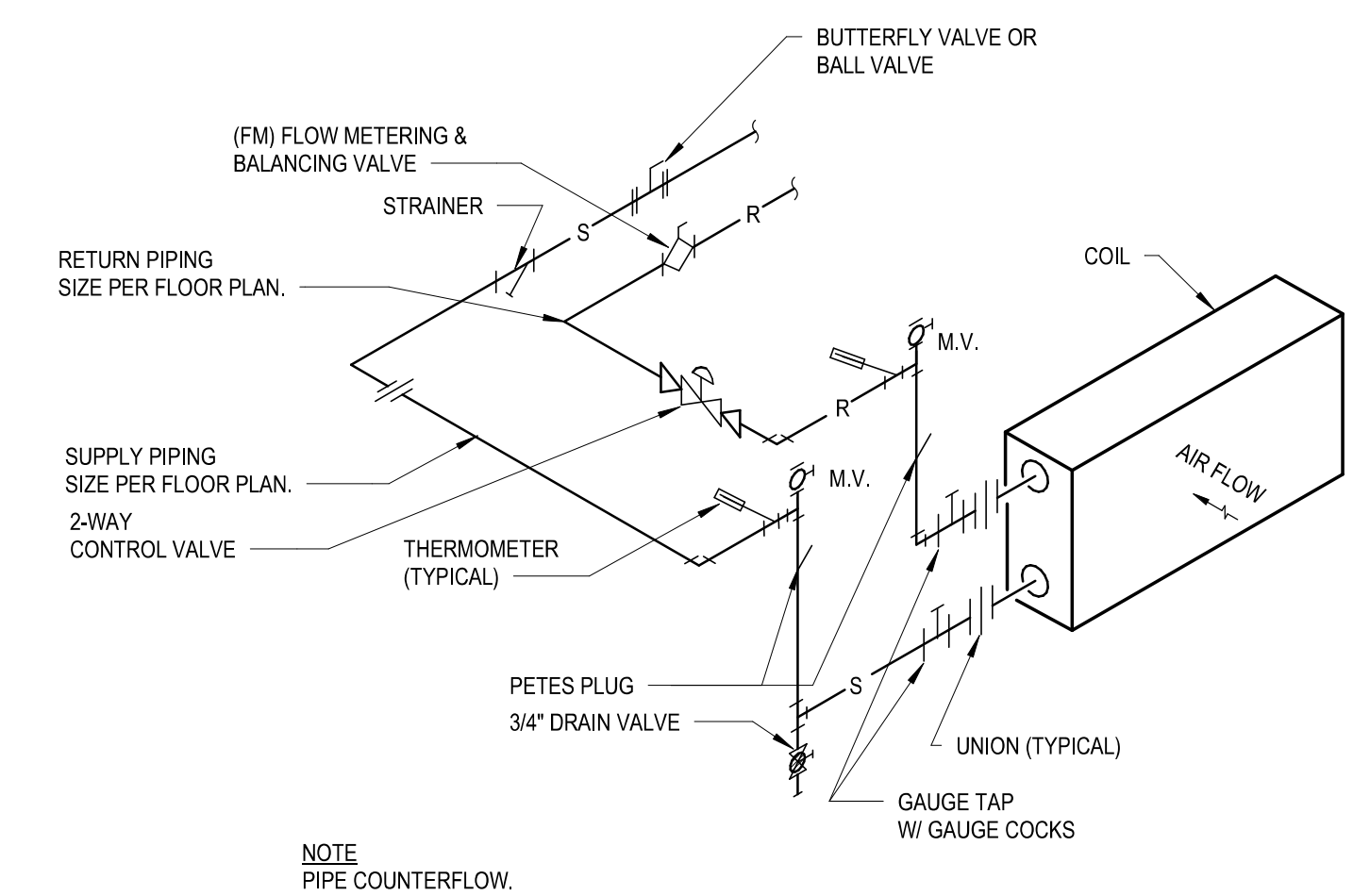
NOTE:
 1. LOCATE MANUAL VENT PIPE AND DRAIN VALVE WHERE ACCESSIBLE FOR BUCKET. AIR VENT PIPING SHALL BE PROVIDED WITH BALL VALVE FOR SERVICING AND REPLACEMENT.
 2. ALL VALVES, BALANCING DEVICES, ETC. SHALL BE LINE SIZE, MIN.
 3. PROVIDE 2-WAY CONTROL VALVE UNLESS OTHERWISE NOTED.
 4. PIPE REHEAT COIL IN ACCORDANCE WITH VALVE TRM SHOWN ABOVE.

B6 AIR TERMINAL UNIT COIL PIPING SCHEMATIC
 NOT TO SCALE

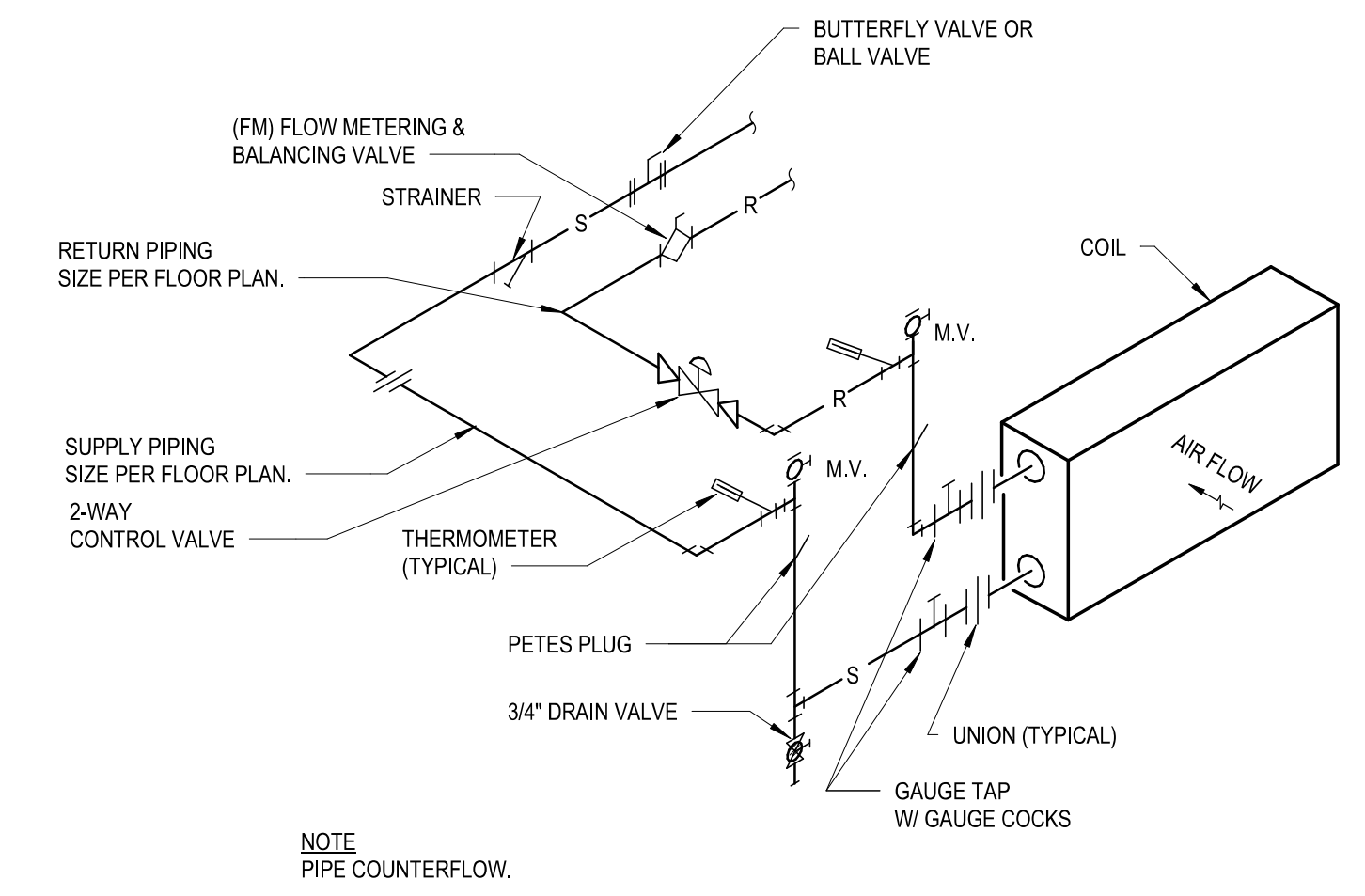


NOTE:
 1. SEE MANUFACTURER'S PIPING RECOMMENDATIONS FOR FINAL LAYOUT.
 2. SEE MP1014A FOR PIPING ORIENTATION.

B8 STEAM HUMIDIFIER - PIPING CONNECTIONS
 NOT TO SCALE



D8 HOT WATER PREHEAT COIL - PIPING CONNECTIONS
 NOT TO SCALE



F8 CHILLED WATER COIL - PIPING CONNECTIONS
 NOT TO SCALE

4/12/2024 11:10:53 AM
 BIM 360://19022 - Fayetteville IDG Project No. 664-19-403 Renovation of SPS/19022 - MECH - R2020.rvt

Revision Number	Revisions:	Date:

CONSULTANTS
 CONSULTING STRUCTURAL ENGINEERS

ARCHITECT/ENGINEER OF RECORD

A/E:
 HARRELL DESIGN GROUP PC
 10720 SIKES PLACE, SUITE 100
 CHARLOTTE, NC 28277
 704-814-1346
 POC: LEE HARRELL PE, LEED AP, QCCP
 PRESIDENT
 HDG PROJECT: 19022

WWW.HARRELLDG.COM
 COPYRIGHT © 2024

STAMP

William G. Graney Jr.
 Charlotte, NC
 I am approving this document
 06/04/24 12:46:16-0400

DRAWING TITLE
 DETAILS

APPROVED

PHASE
 CONSTRUCTION DOCUMENTS SUBMISSION

FULLY SPRINKLERED

PROJECT TITLE
 RENOVATE SPACE FOR LOGISTICS (B-1)

PROJECT NUMBER
 564-24-104

BUILDING NUMBER
 1

DRAWING NUMBER
 MH503-A

ISSUE DATE
 11 APRIL 2024

CHECKED
 WGG

DRAWN
 ANB

Engineering Service

VA U.S. Department of Veterans Affairs