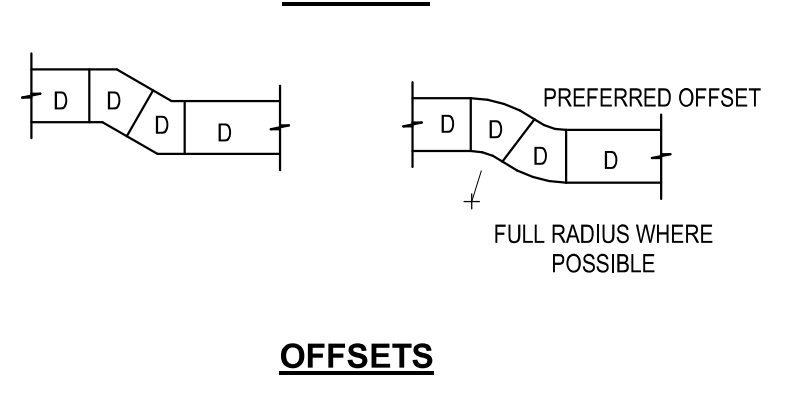
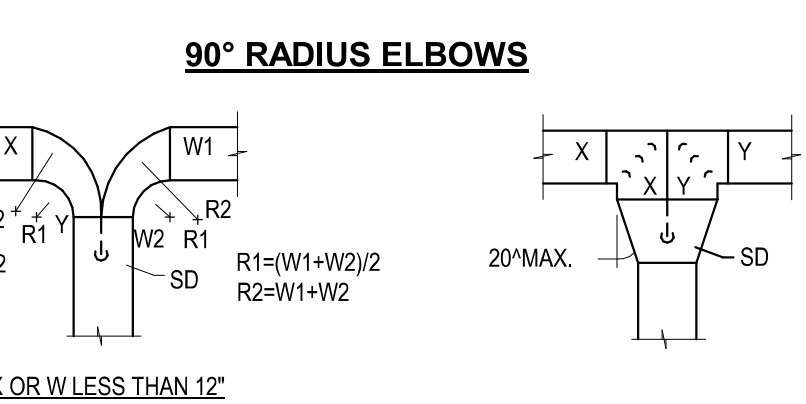
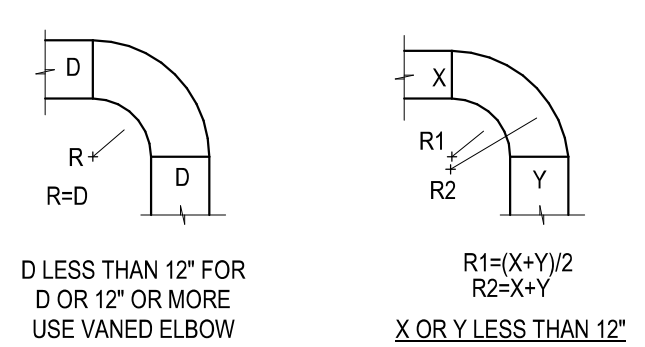


**HANGER STRAPS OR RODS FOR ROUND DUCT**

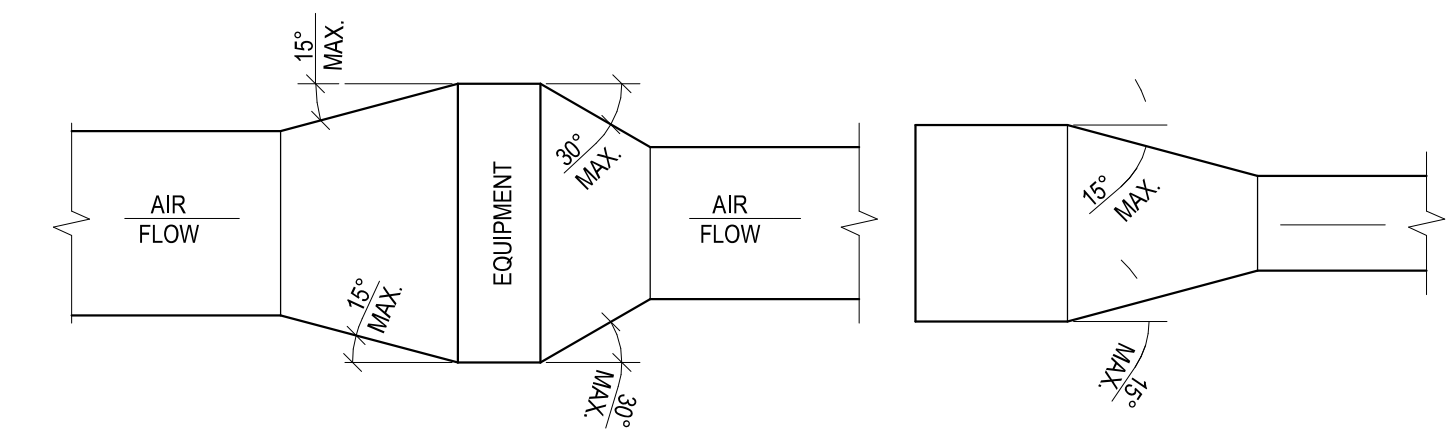
MAX. DUCT Ø IN.	QUANTITY/SIZE IN.	MAX. LOAD LBS.	MAX. SPACING IN.
26	ONE 1 x 22 GA. STRAP	260	144
36	ONE 1 x 18 GA. STRAP	420	144
50	ONE 1 x 16 GA. STRAP	700	144
60	TWO 3/8 Ø RODS	1320	144
84	TWO 1/2 Ø RODS	2500	144

NOTE:  
 1. TABULATED DATA FROM SMACNA ALLOWS FOR DUCT REINFORCING AND INSULATION, BUT NO EXTERNAL LOAD.  
 2. WIRE HANGERS ARE PROHIBITED.

**C1 DUCT HANGERS**  
NOT TO SCALE

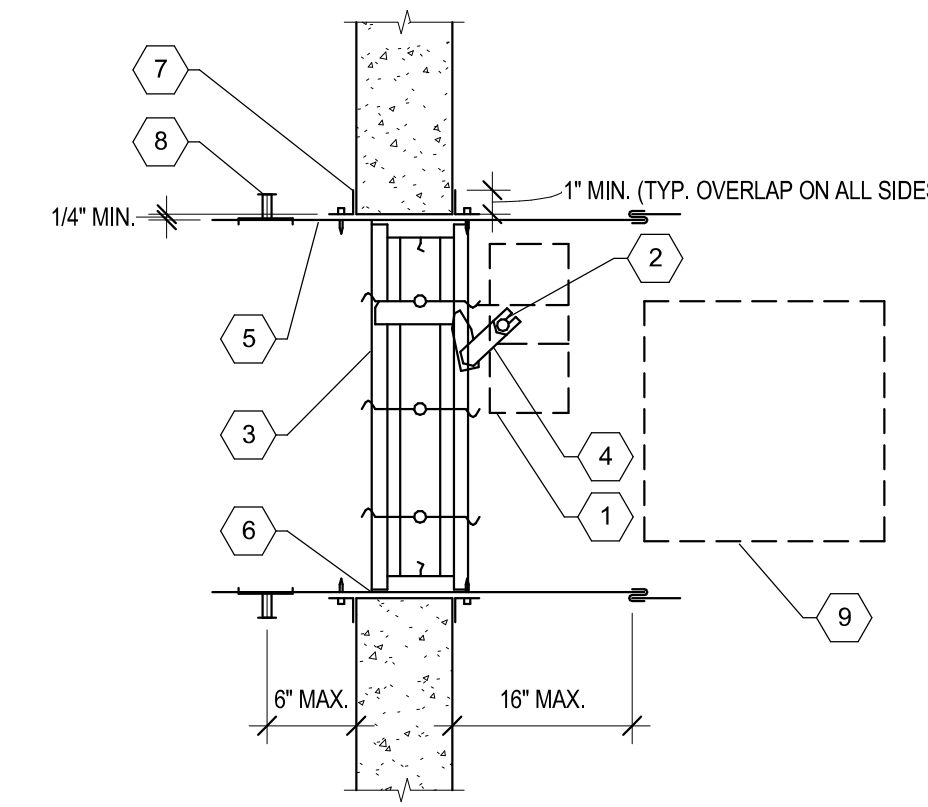


**F1 LOW PRESSURE DUCT FITTINGS**  
NOT TO SCALE

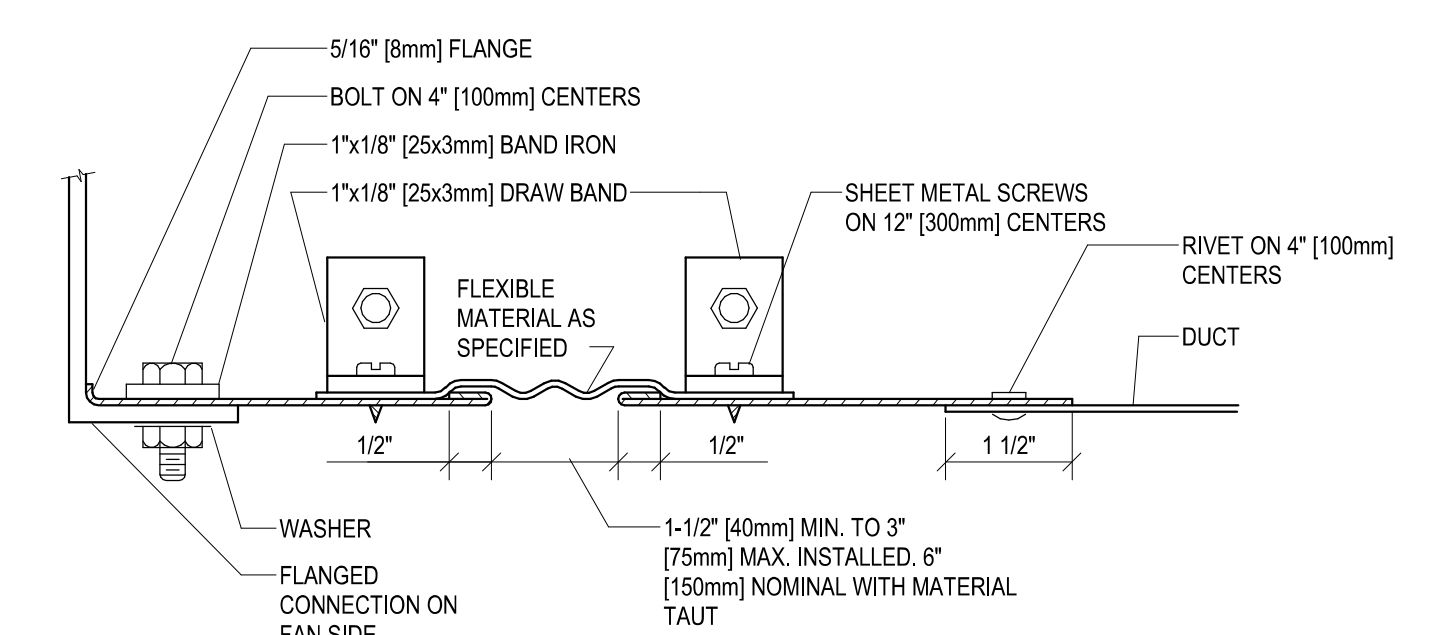


**A3 DUCTWORK TRANSITIONS (WITH EQUIPMENT MOUNTED IN DUCTS)**  
NOT TO SCALE

**A3 DUCTWORK TRANSITIONS (WITH EQUIPMENT MOUNTED IN DUCTS)**  
NOT TO SCALE

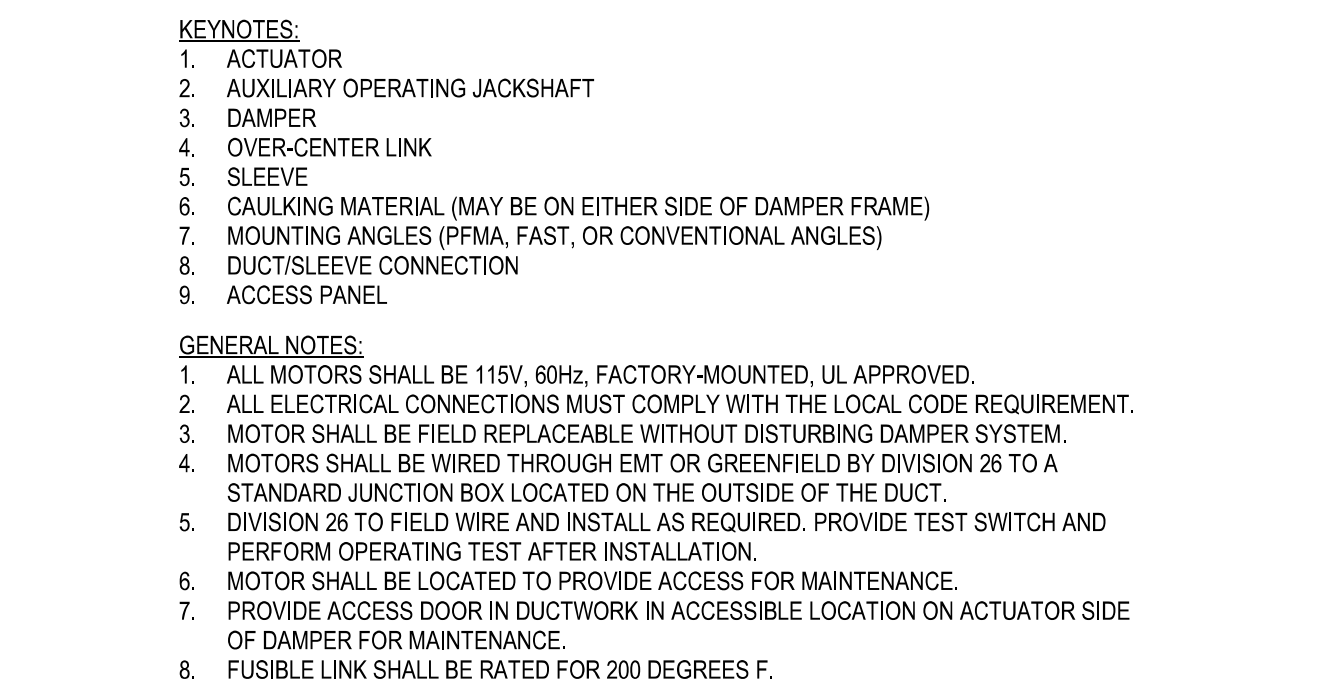


**RECTANGULAR FLEXIBLE CONNECTION**

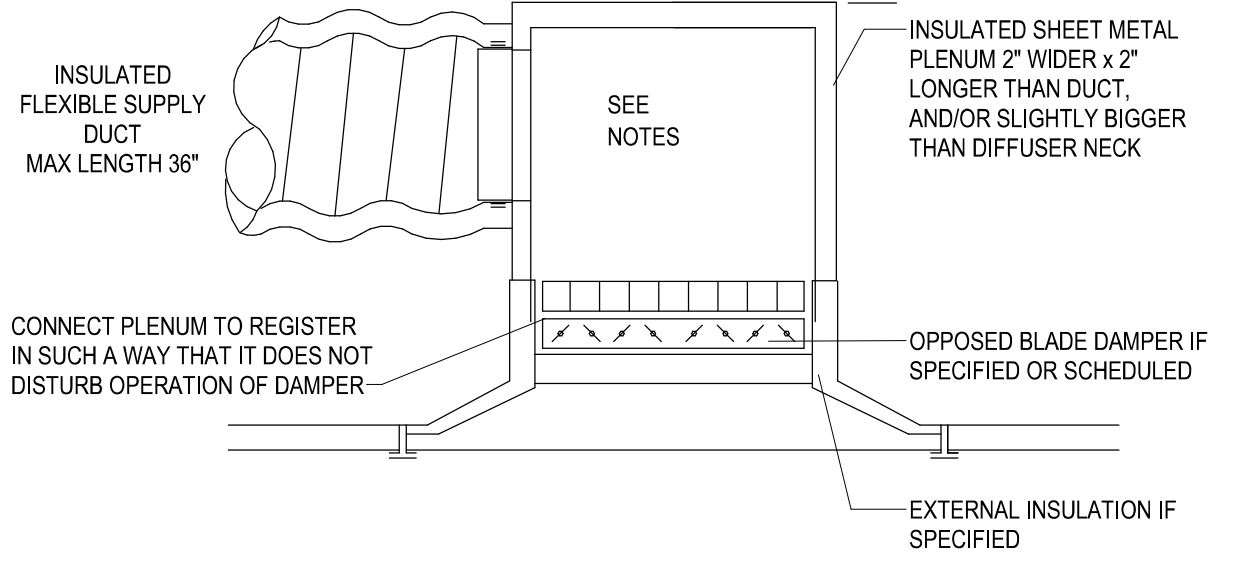


**ROUND FLEXIBLE CONNECTION**

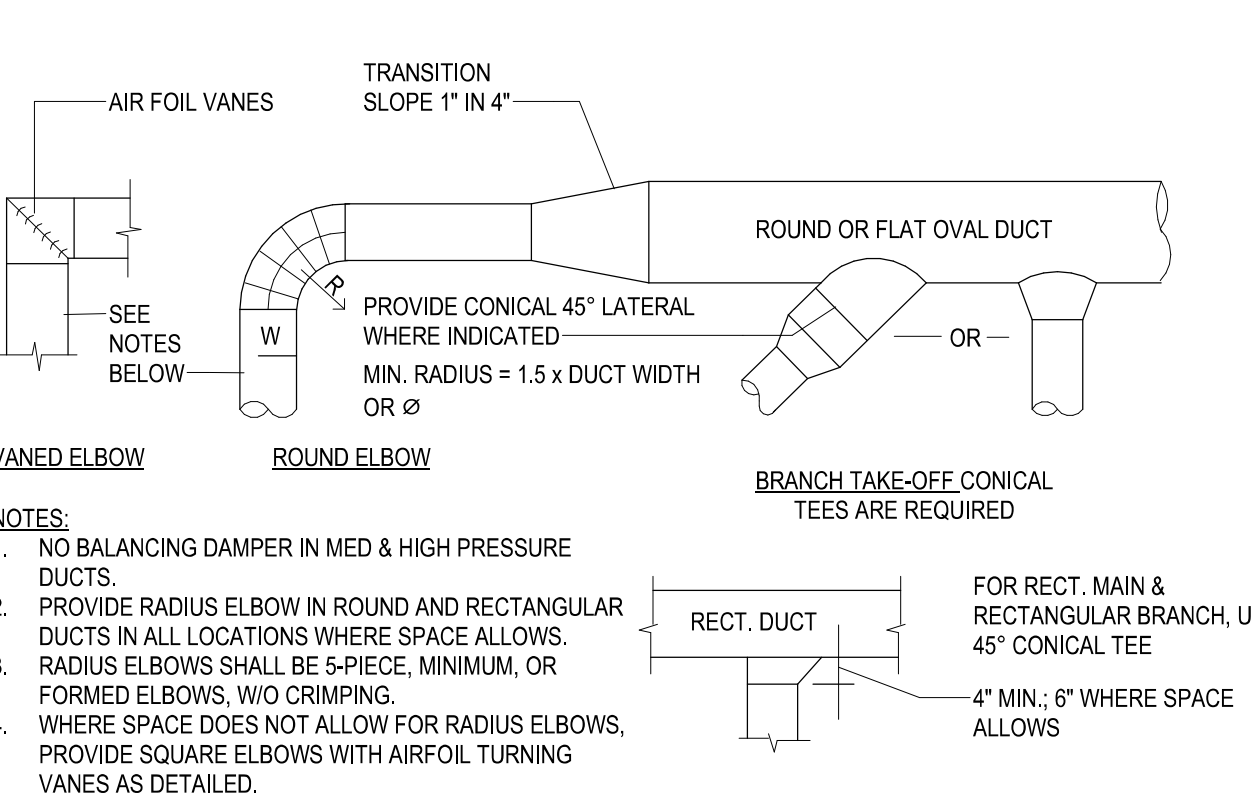
**C6 FLEXIBLE DUCT CONNECTIONS**  
NOT TO SCALE



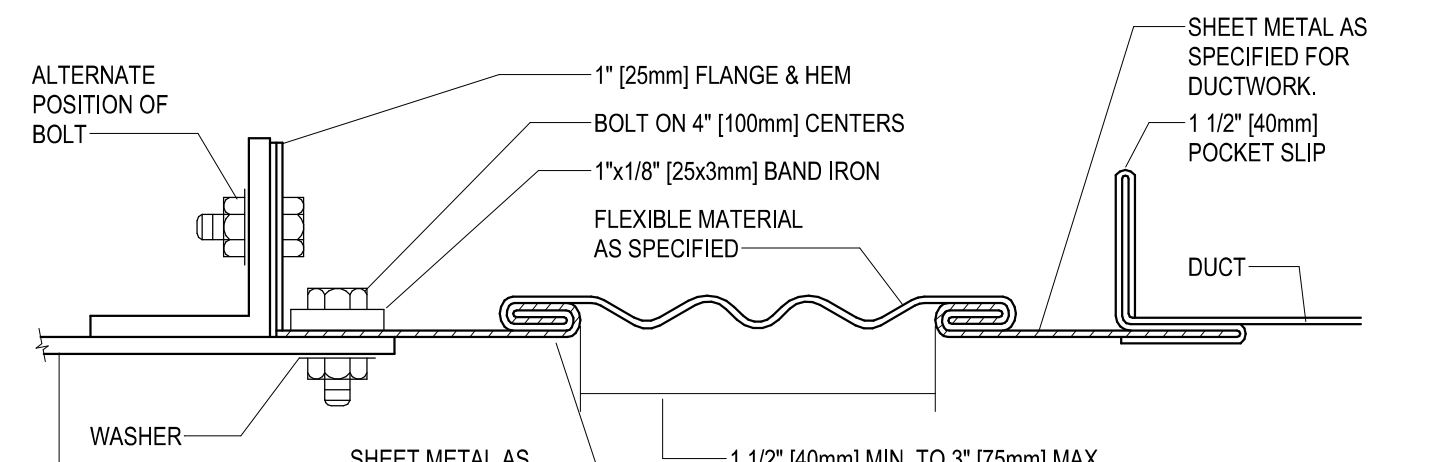
**D4 COMBINATION FIRE/ SMOKE DAMPER**  
NOT TO SCALE



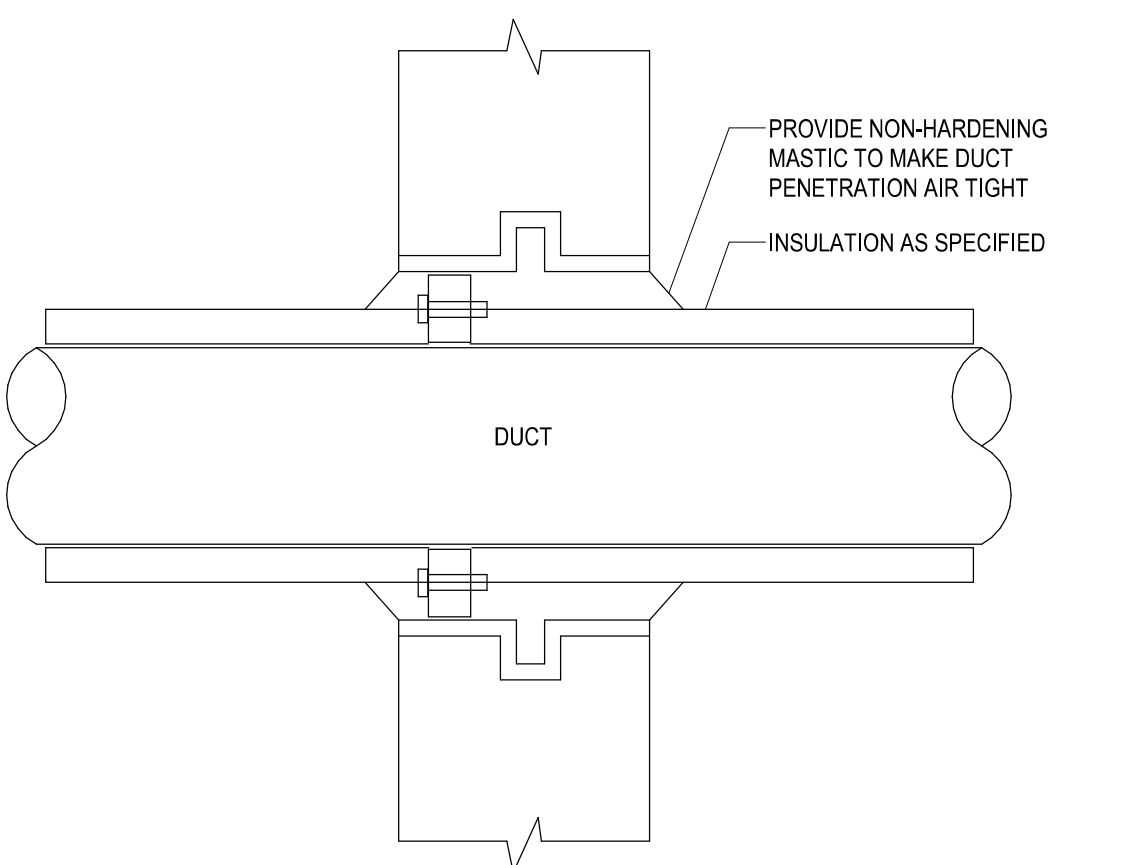
**E4 LIMITED CLEARANCE DIFFUSER DUCTING**  
NOT TO SCALE



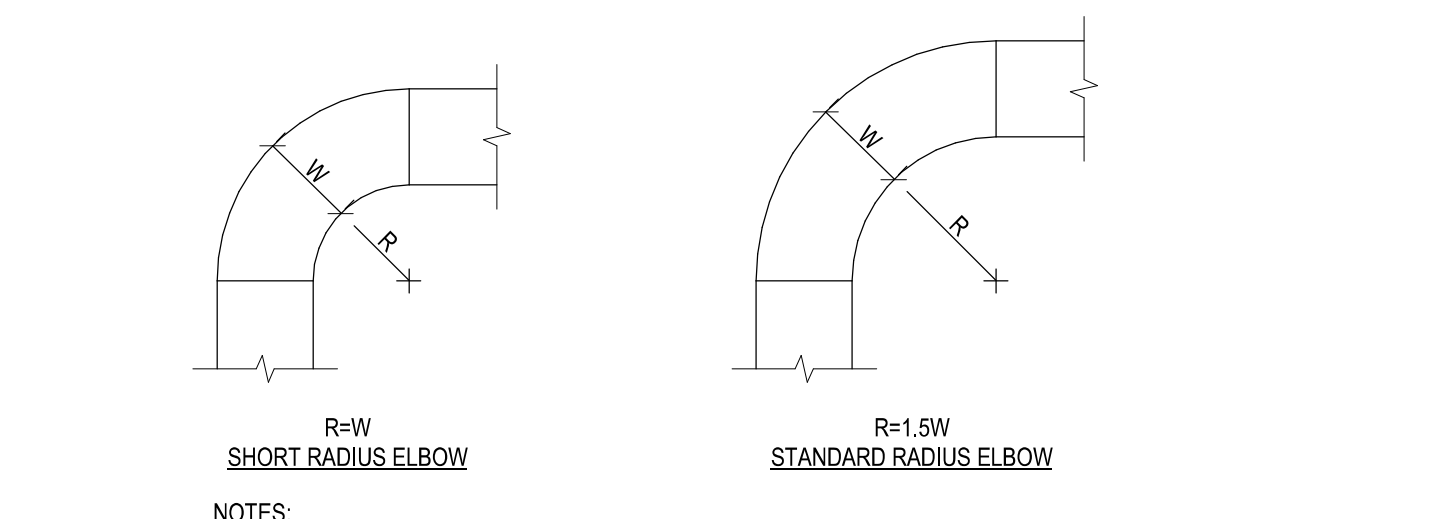
**F4 MEDIUM AND HIGH PRESSURE DUCT FITTINGS**  
NOT TO SCALE



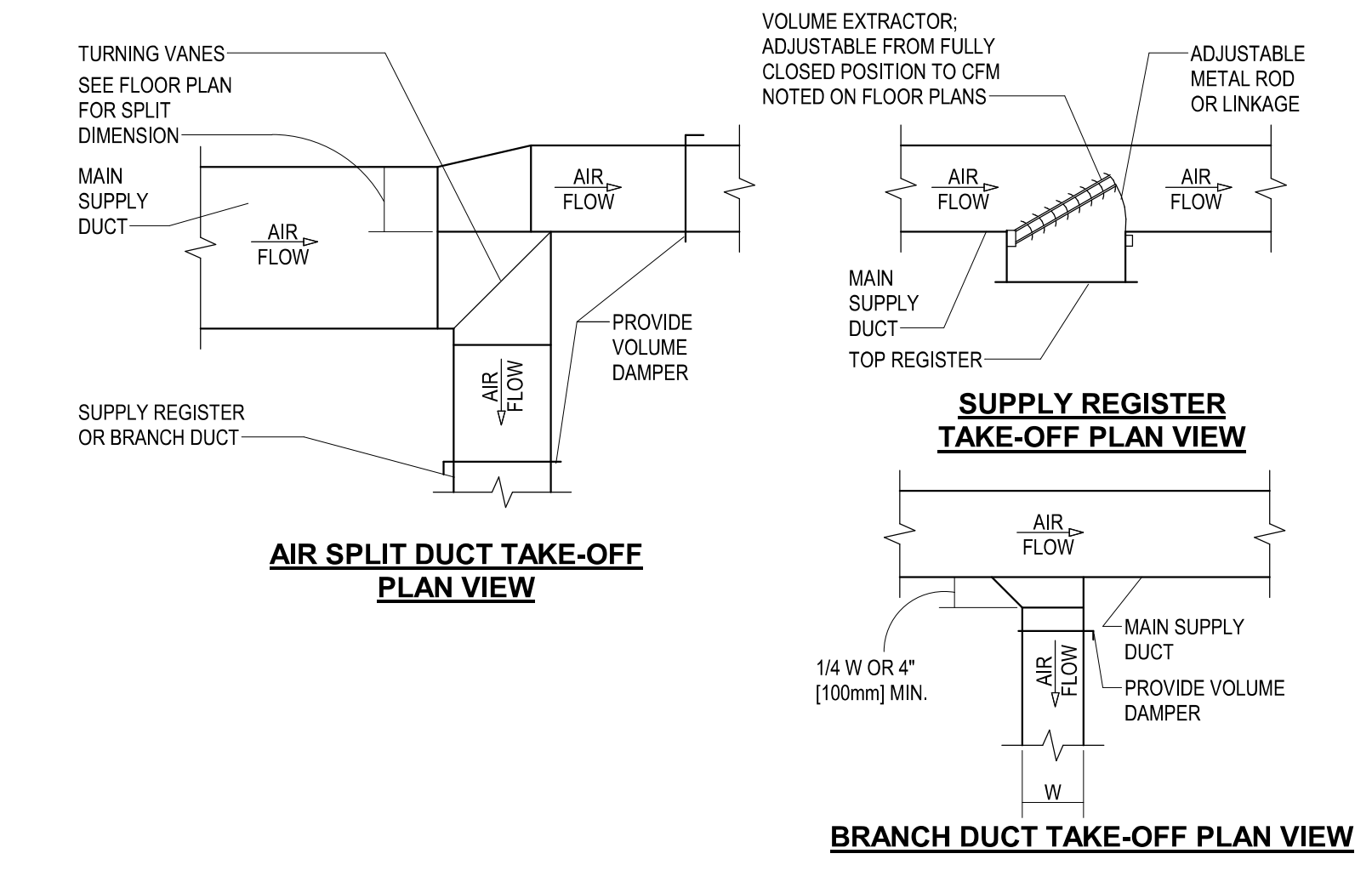
**A9 EXHAUST OR RETURN BRANCH DUCTWORK**  
NOT TO SCALE



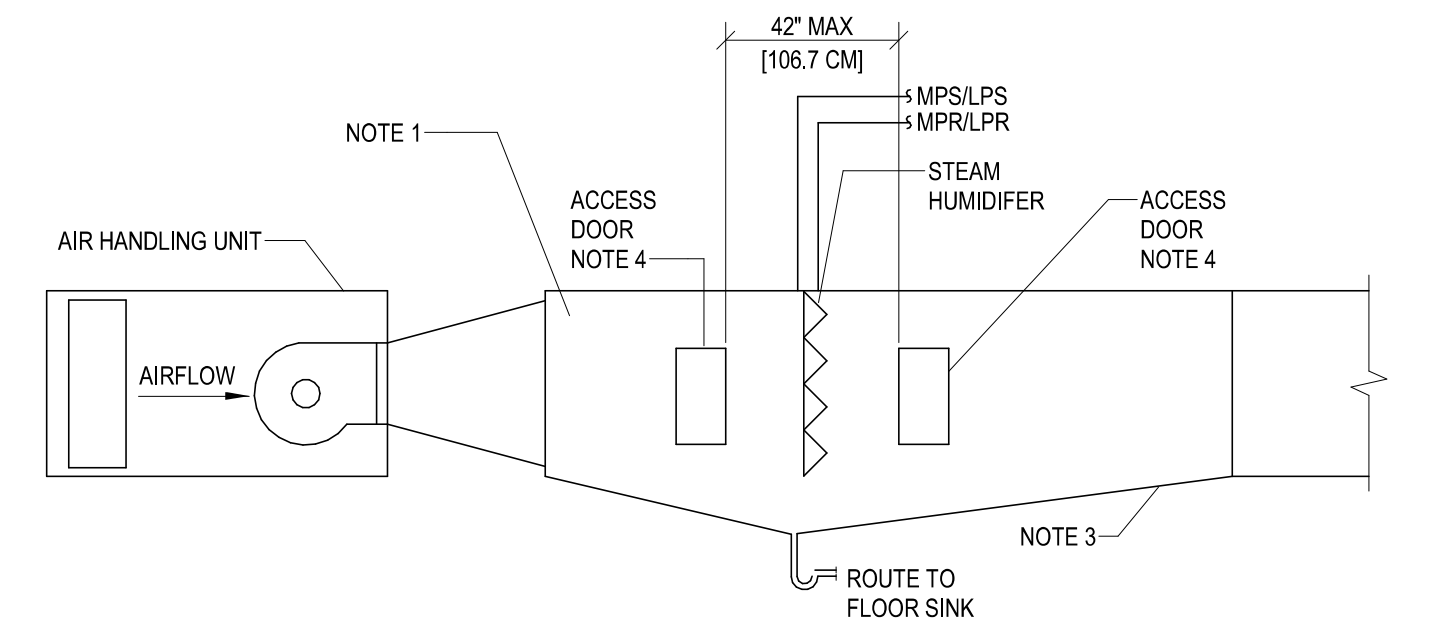
**C8 DUCT PENETRATION OF INTERIOR WALLS**  
NOT TO SCALE



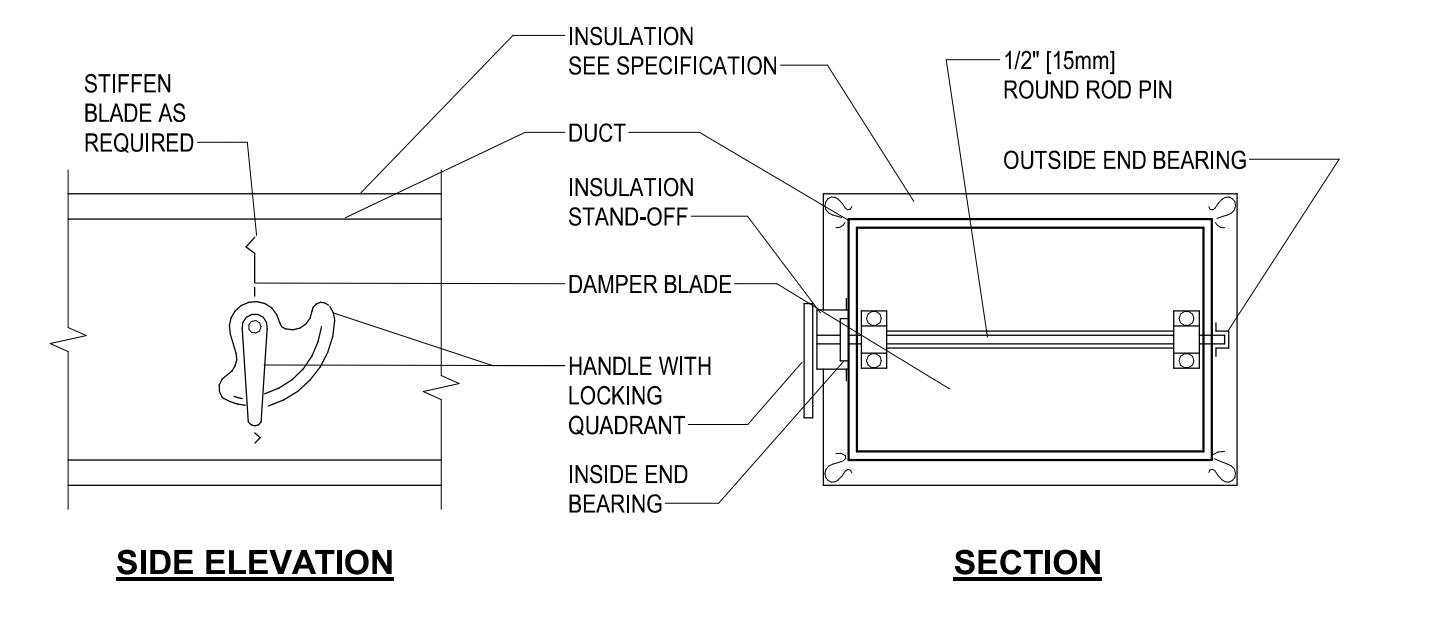
**D6 DUCTWORK RADIUS ELBOWS**  
NOT TO SCALE



**F6 SUPPLY DUCTWORK TAKE-OFFS**  
NOT TO SCALE



**E8 DUCT MOUNTED HUMIDIFIER**  
NOT TO SCALE



**F8 VOLUME DAMPER DETAIL**  
NOT TO SCALE

4/12/2024 11:10:52 AM  
 BIM 360://19022 - Fayetteville DDG Project No. 664-19-403 Renovation of SPS/19022 - MECH - R2024.rvt

Revision Number	Revisions:	Date:

**CONSULTANTS**  
 CONSULTING STRUCTURAL ENGINEERS

**ARCHITECT/ENGINEER OF RECORD**

A/E:  
 HARRELL DESIGN GROUP PC  
 10720 SIKES PLACE, SUITE 100  
 CHARLOTTE, NC 28277  
 704-814-1346  
 POC: LEE HARRELL PE, LEED AP, QCCP  
 PRESIDENT  
 HDG PROJECT: 19022

**STAMP**

**DRAWING TITLE**  
 DETAILS

**APPROVED**

**PHASE**  
 CONSTRUCTION DOCUMENTS SUBMISSION

**FULLY SPRINKLERED**

**PROJECT TITLE**  
 RENOVATE SPACE FOR LOGISTICS (B-1)

**LOCATION**  
 FAYETTEVILLE VA MEDICAL CENTER

**ISSUE DATE**  
 11 APRIL 2024

**CHECKED**  
 WGG

**DRAWN**  
 ANB

**PROJECT NUMBER**  
 564-24-104

**BUILDING NUMBER**  
 1

**DRAWING NUMBER**  
 MH501-A

**Engineering Service**

**VA** U.S. Department of Veterans Affairs