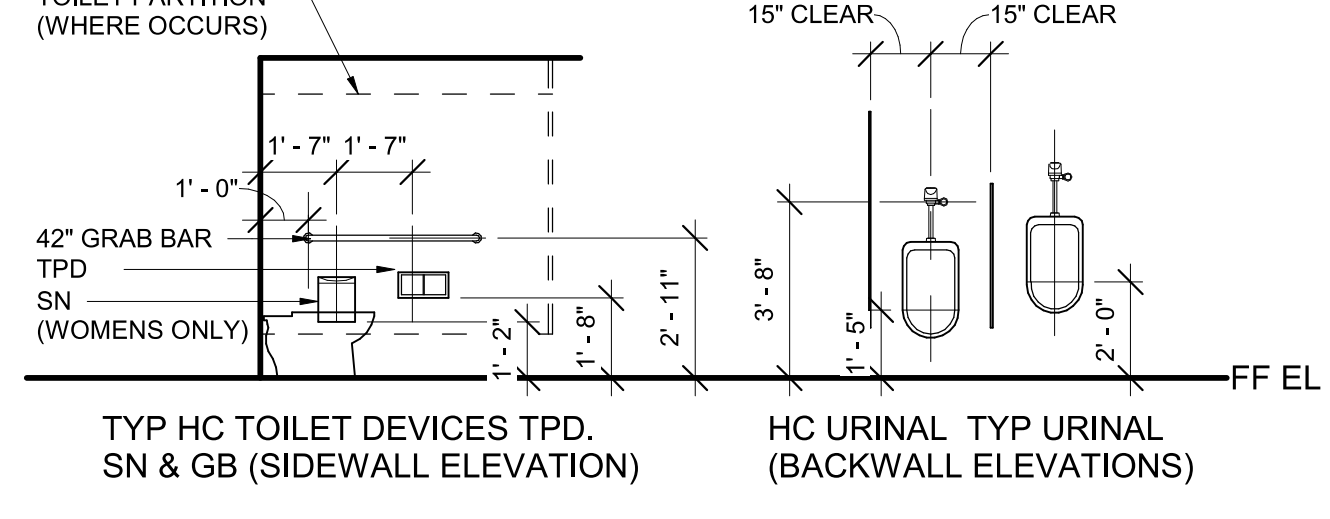
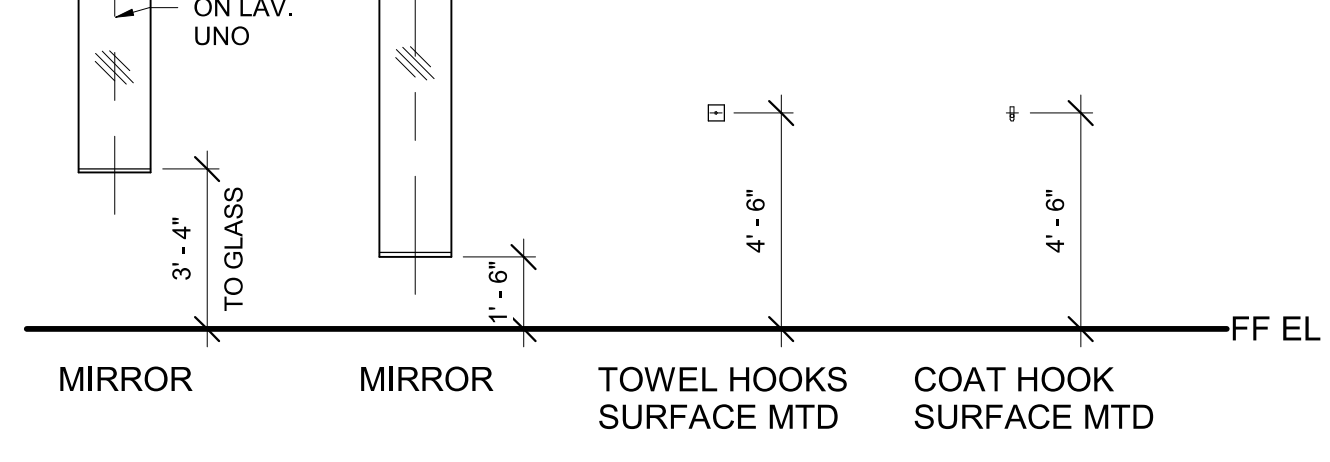
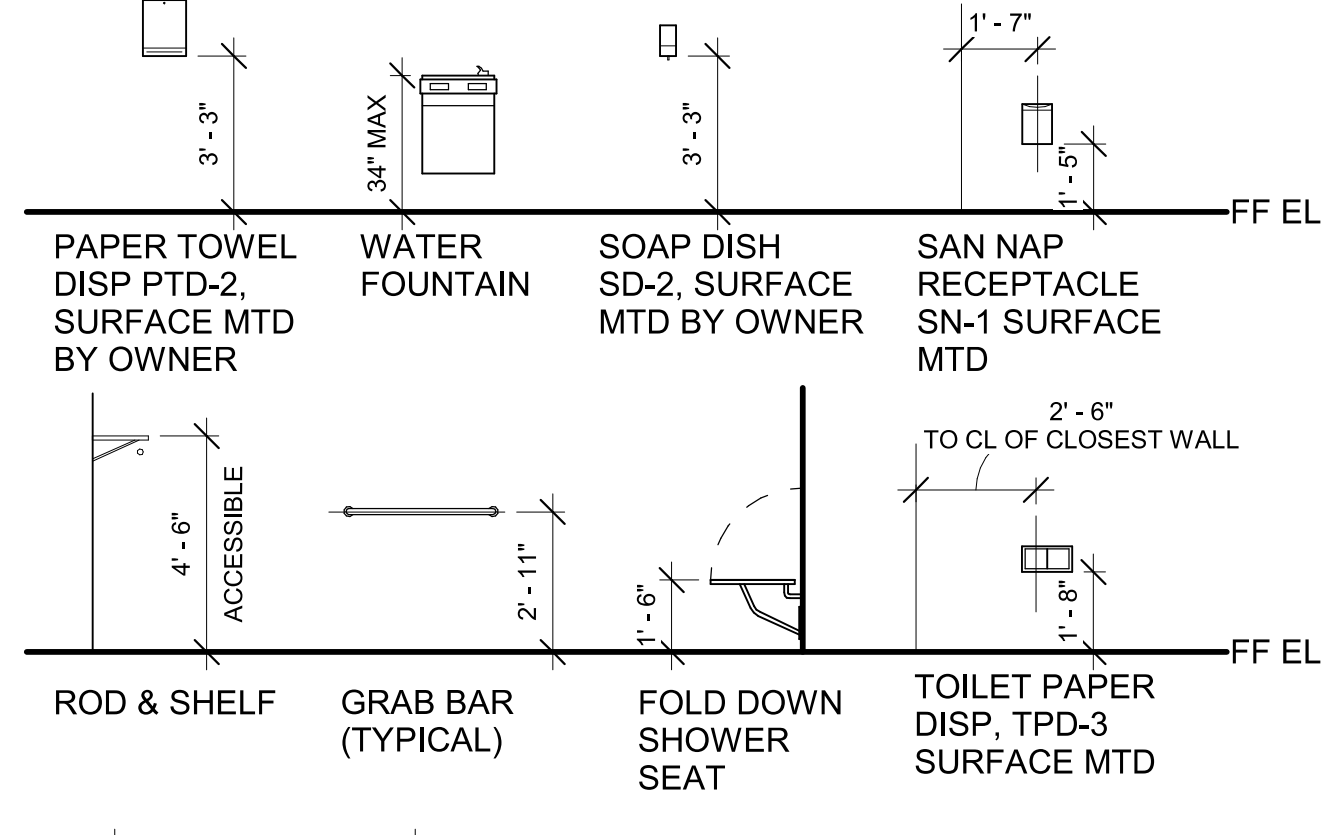
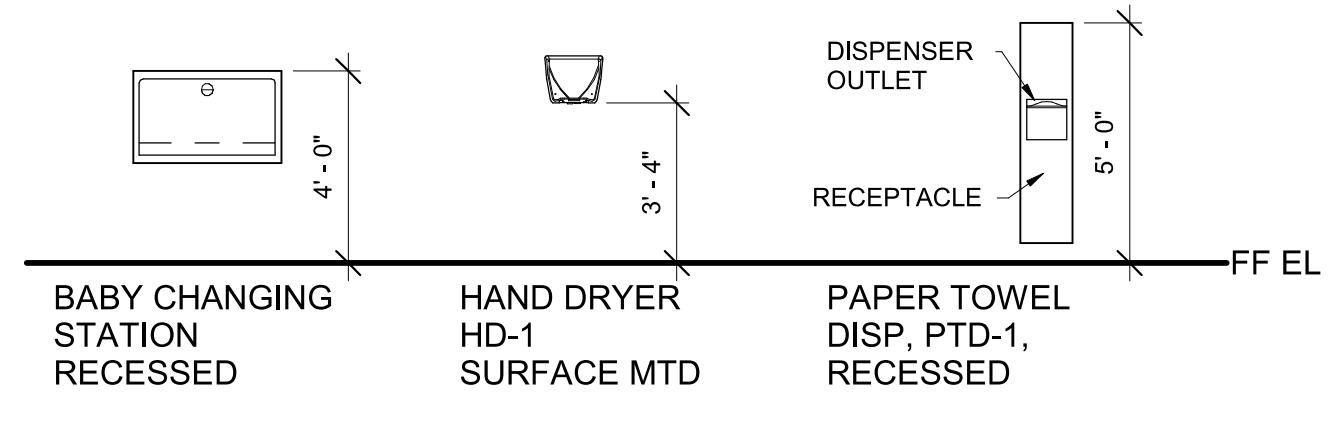
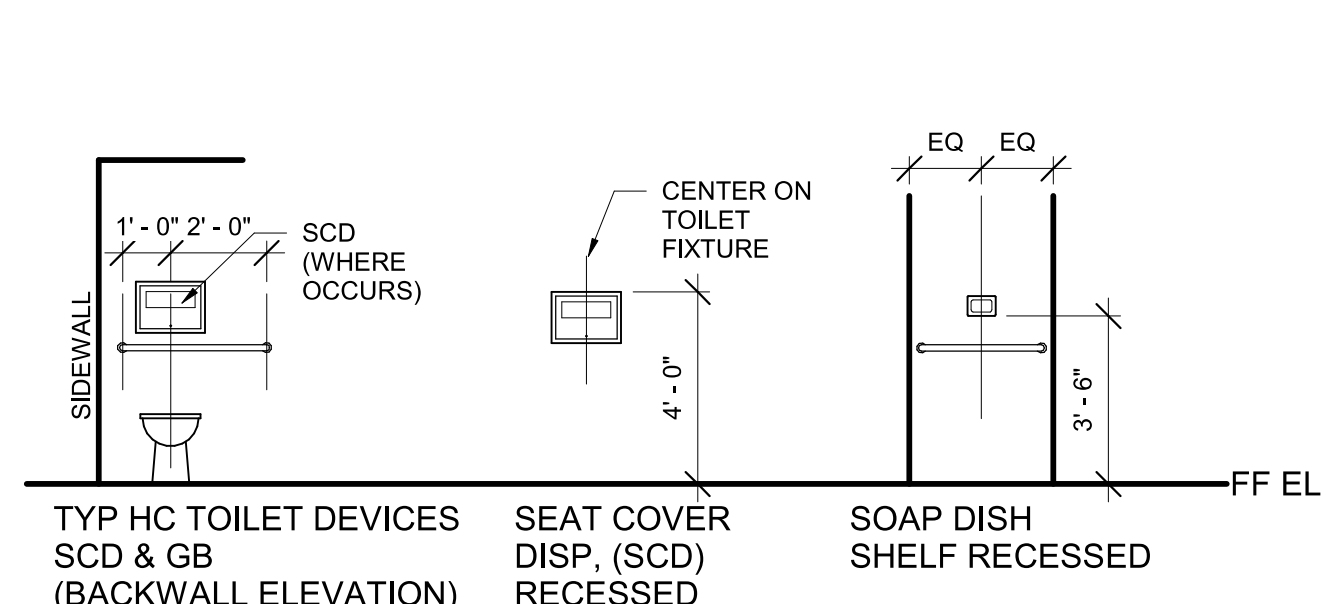
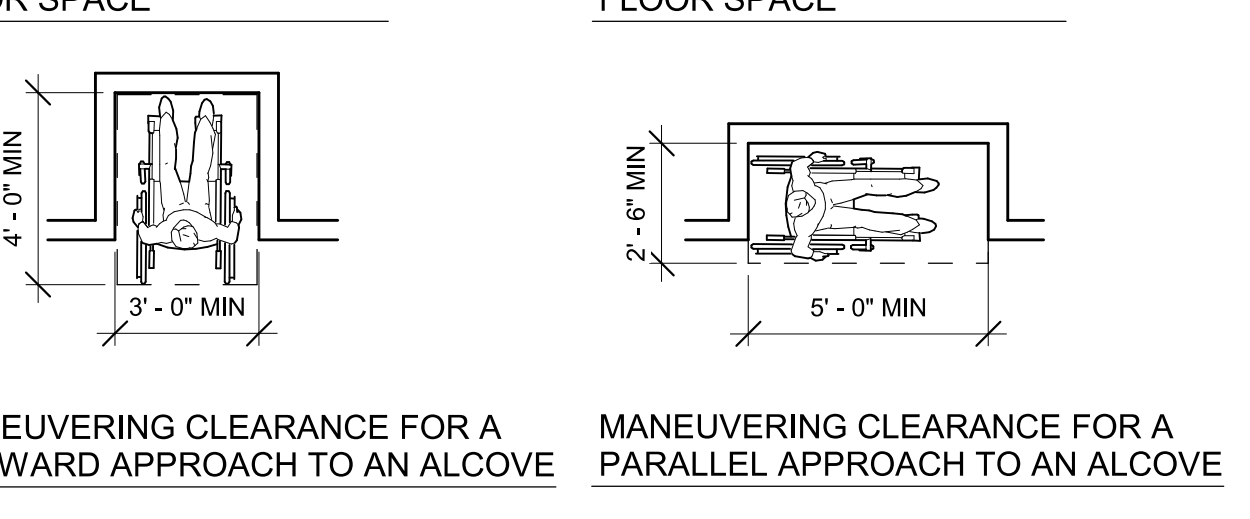
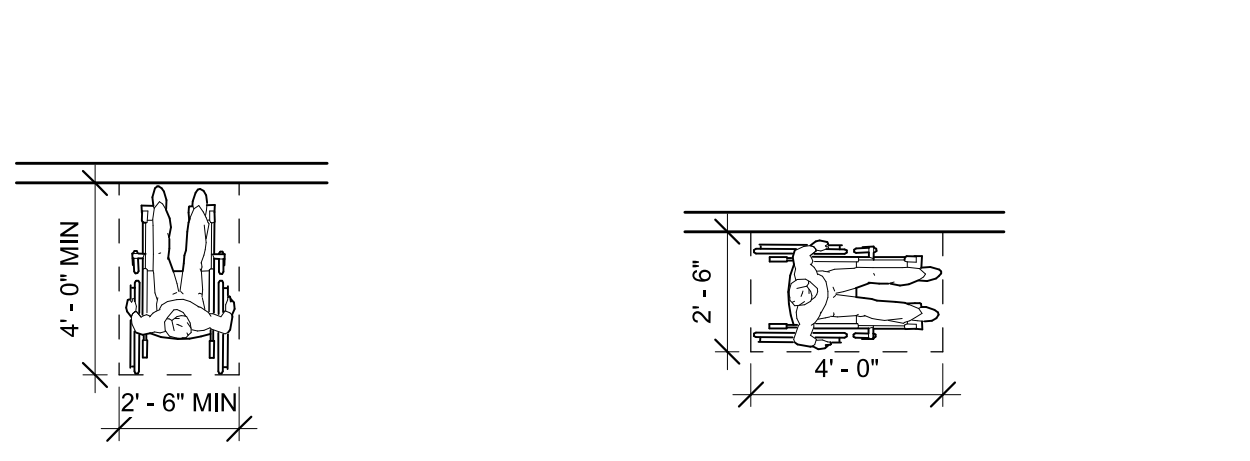
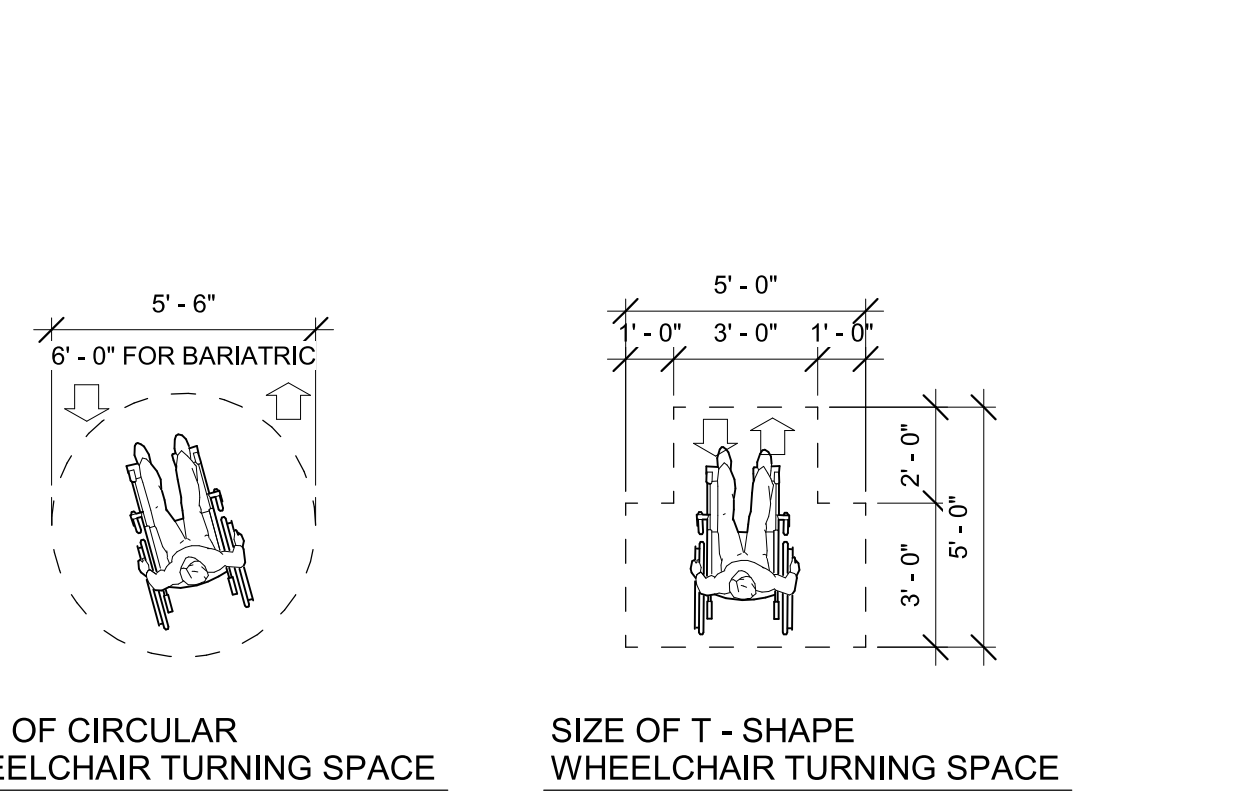
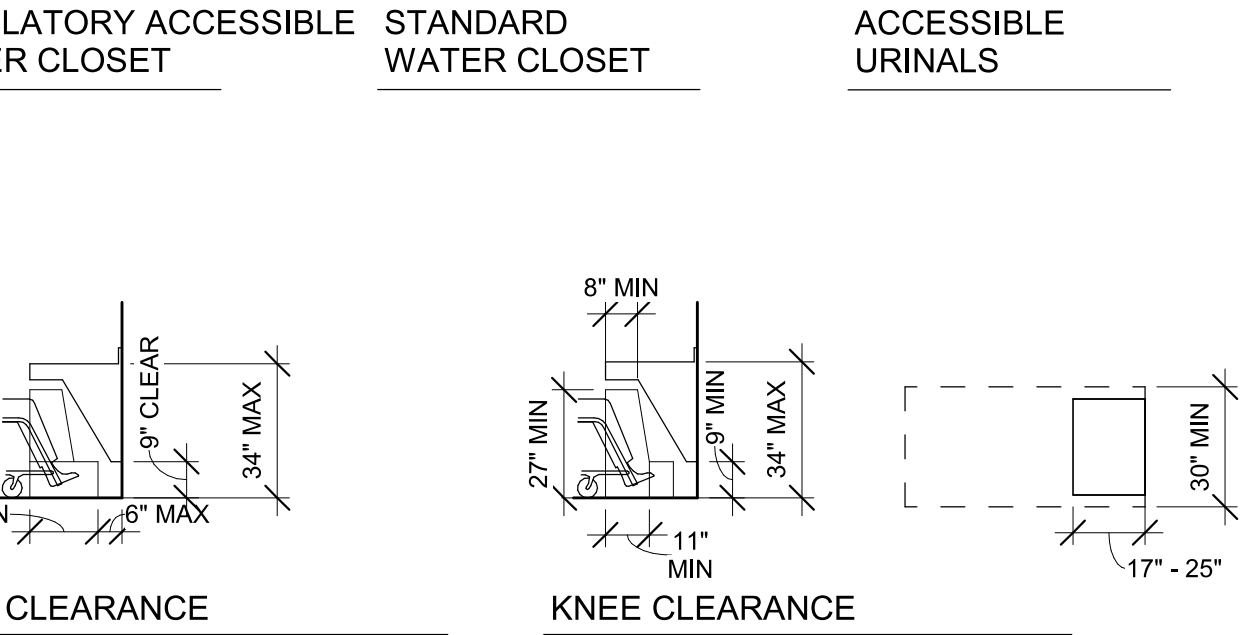
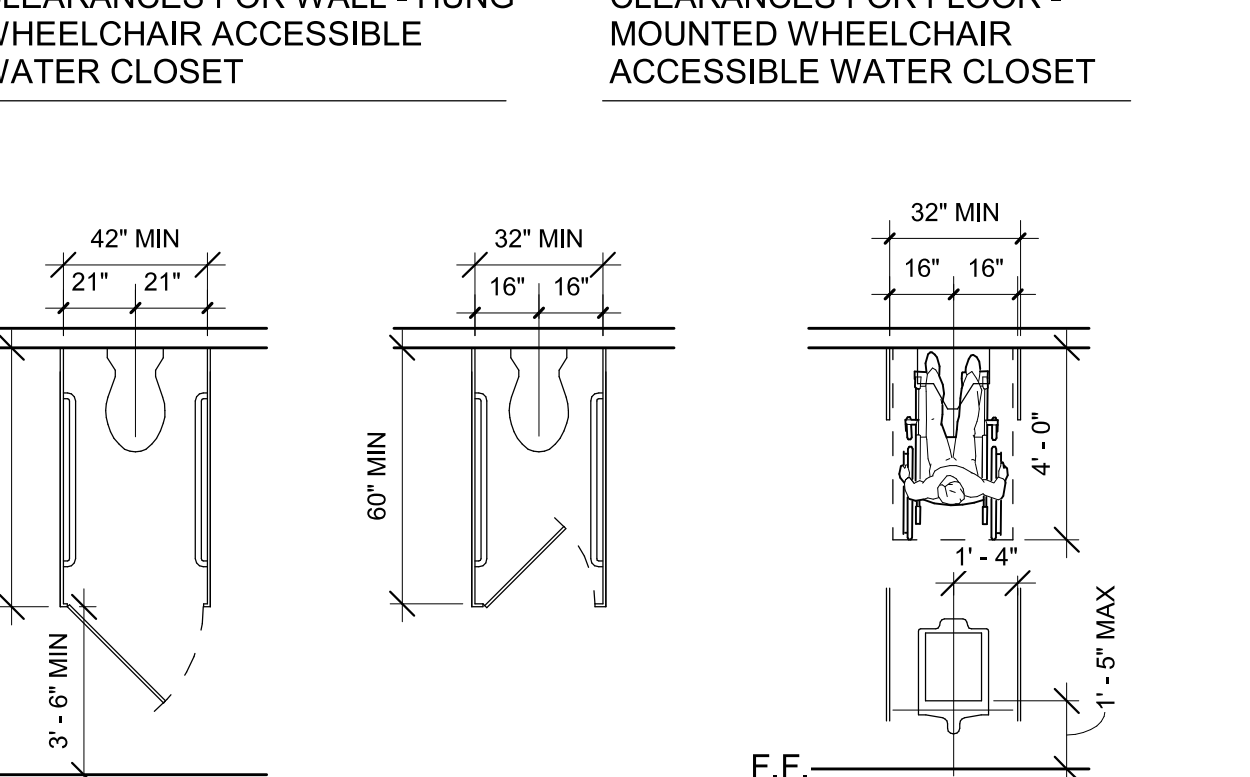
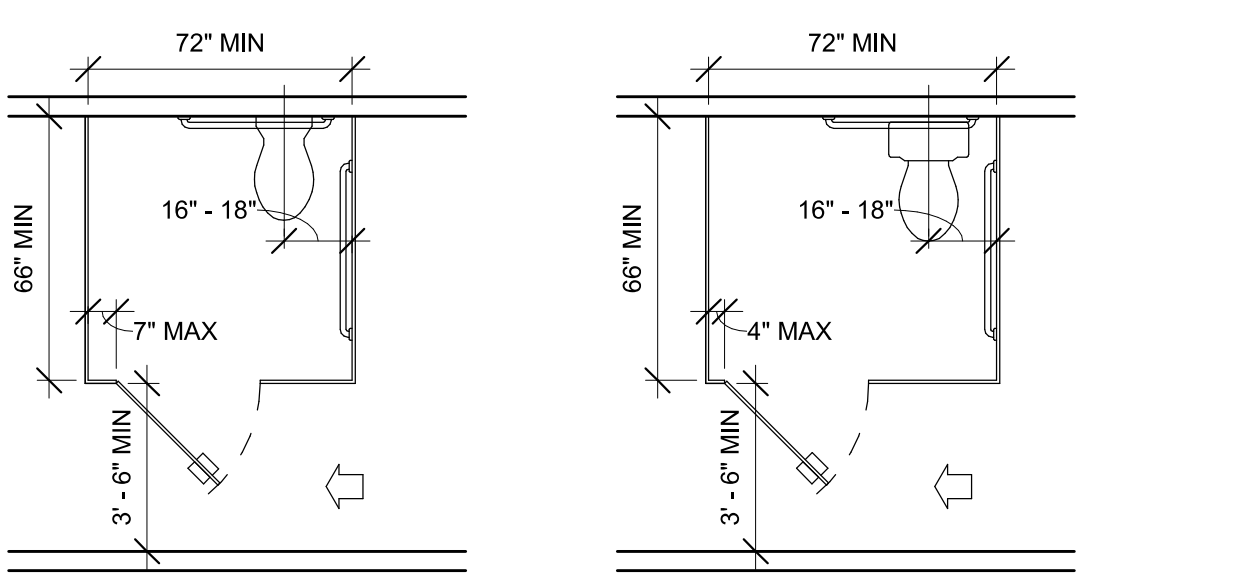
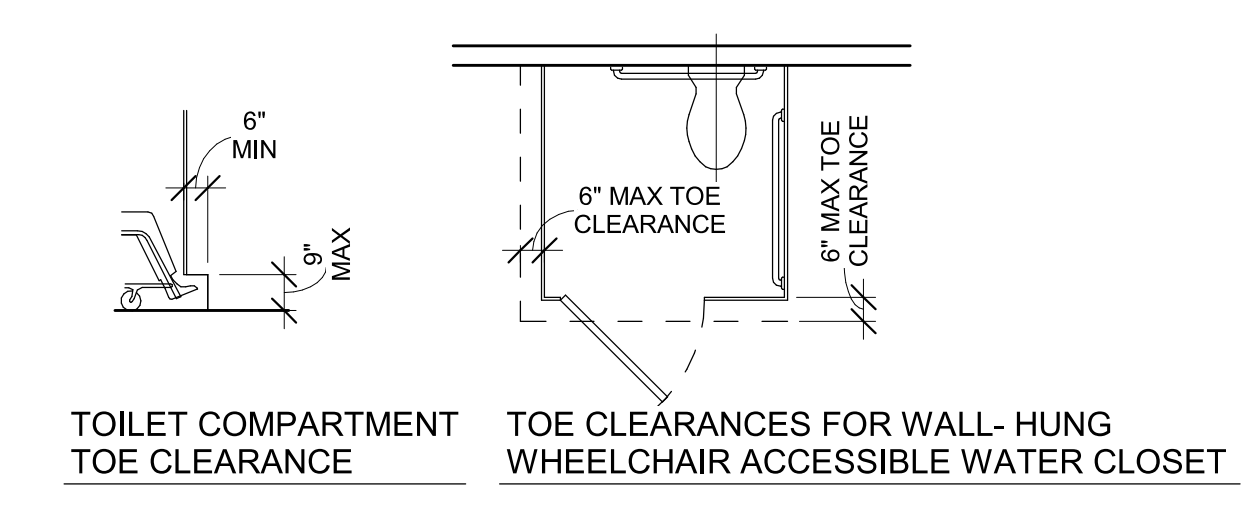
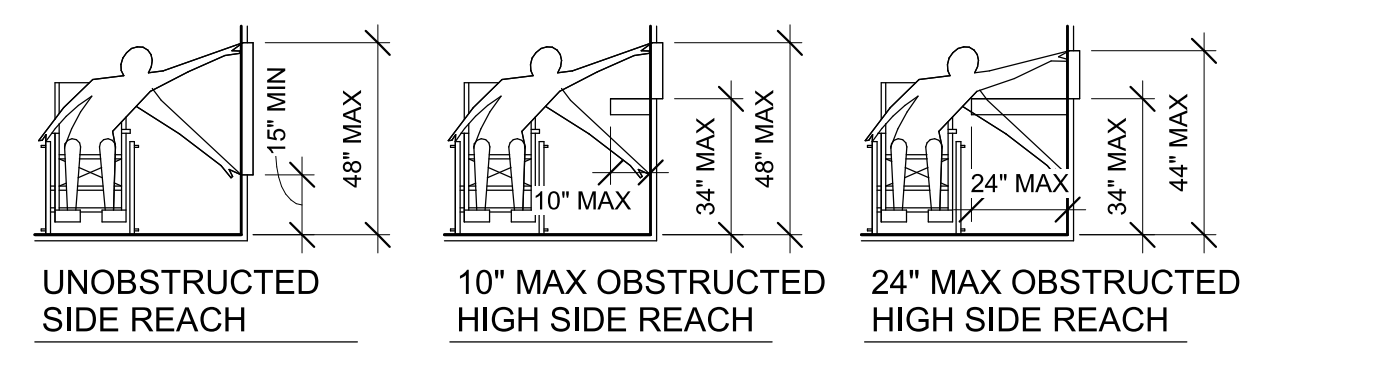
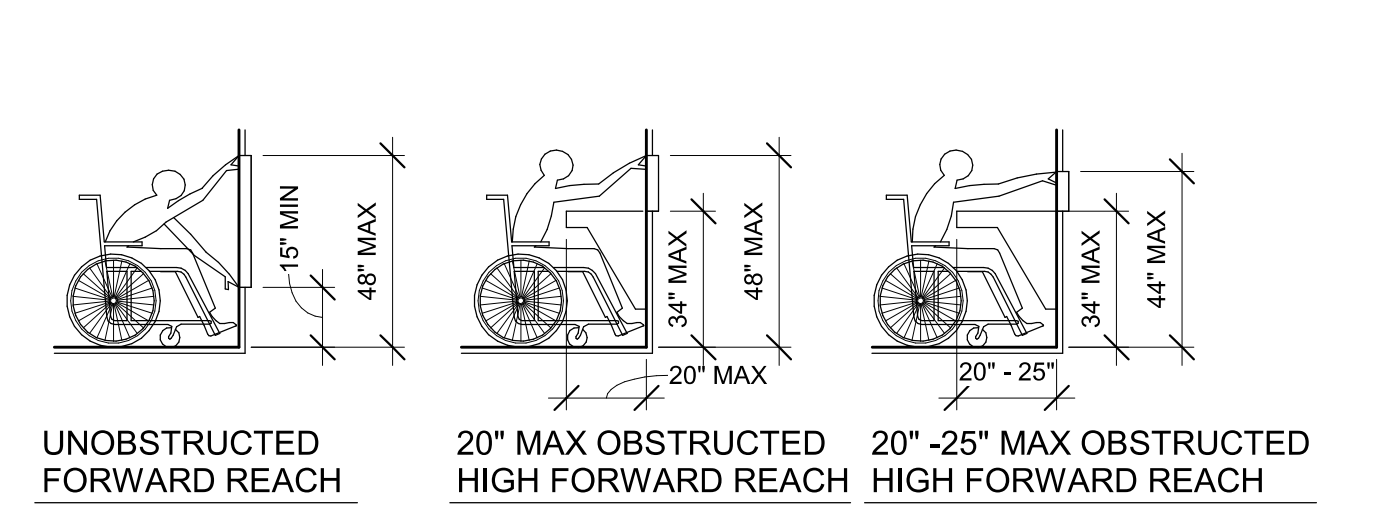
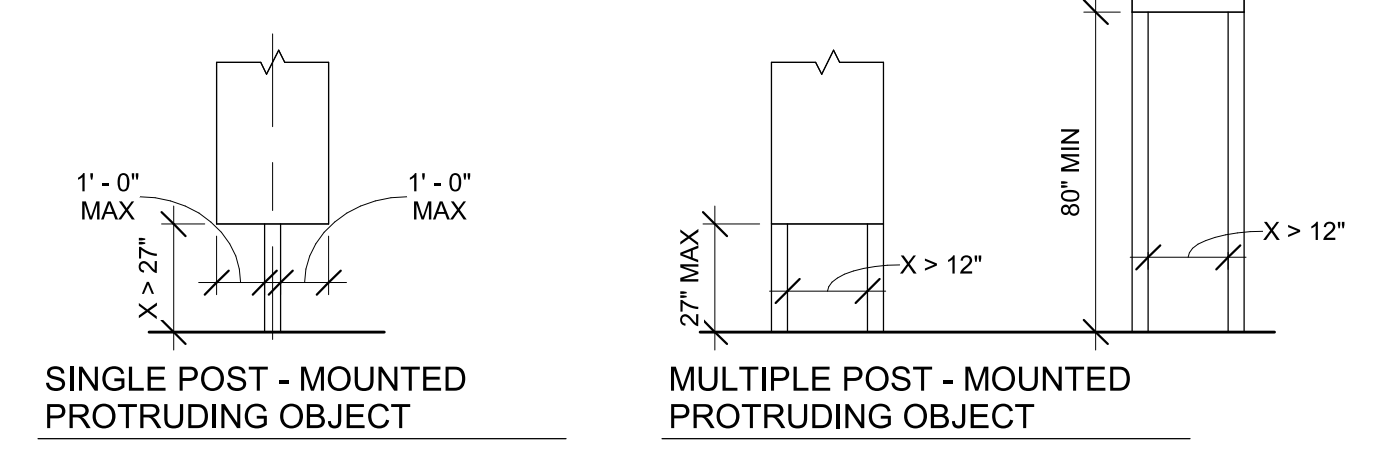
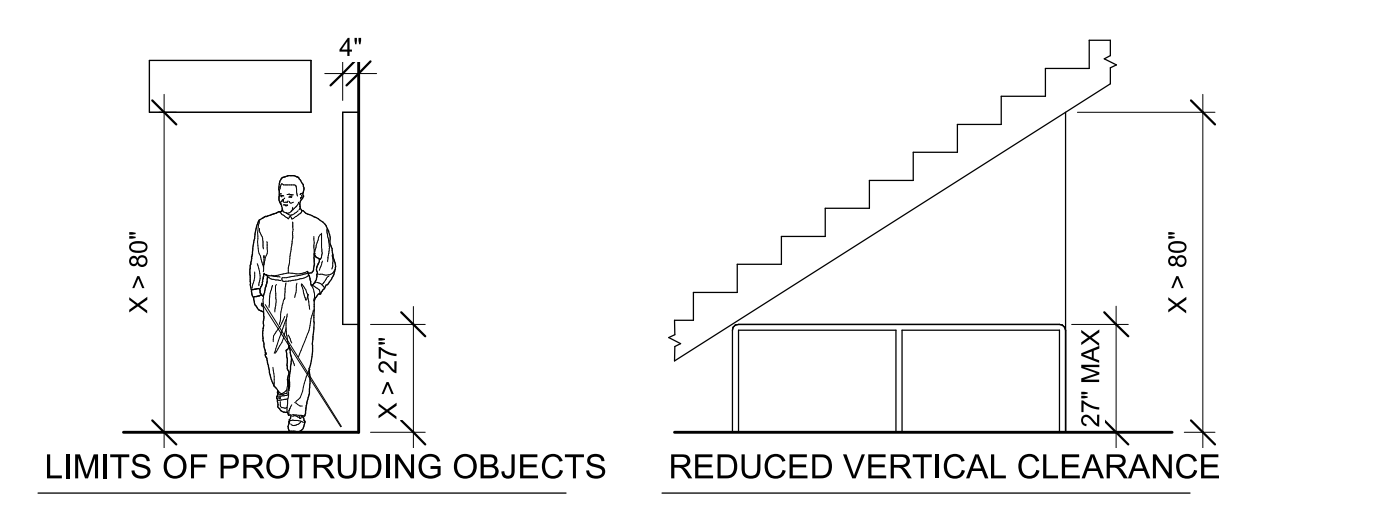
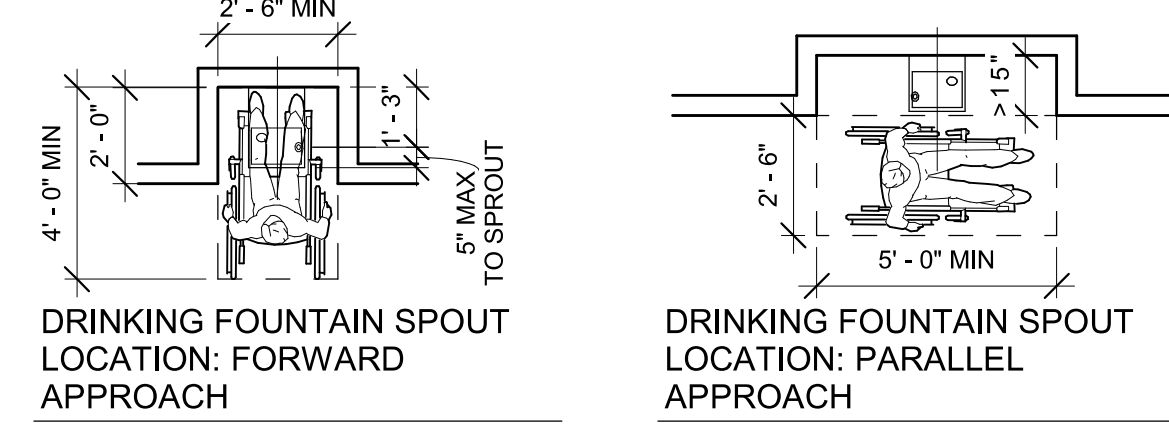
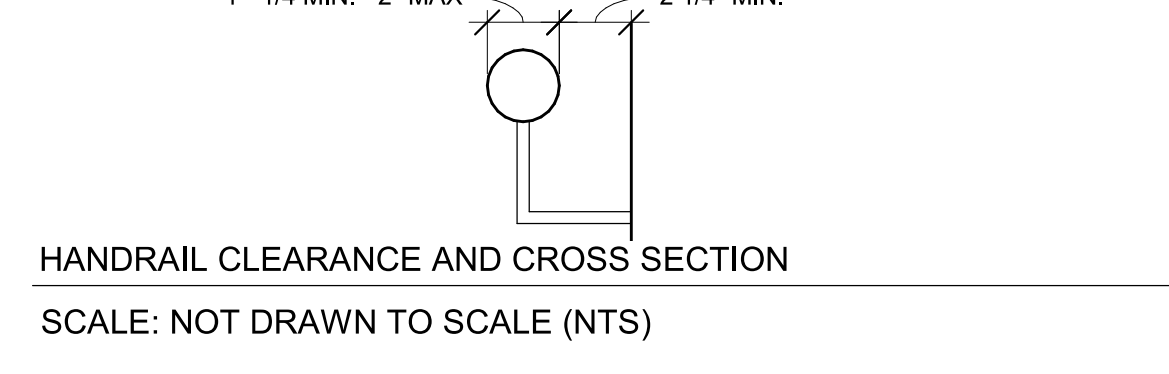
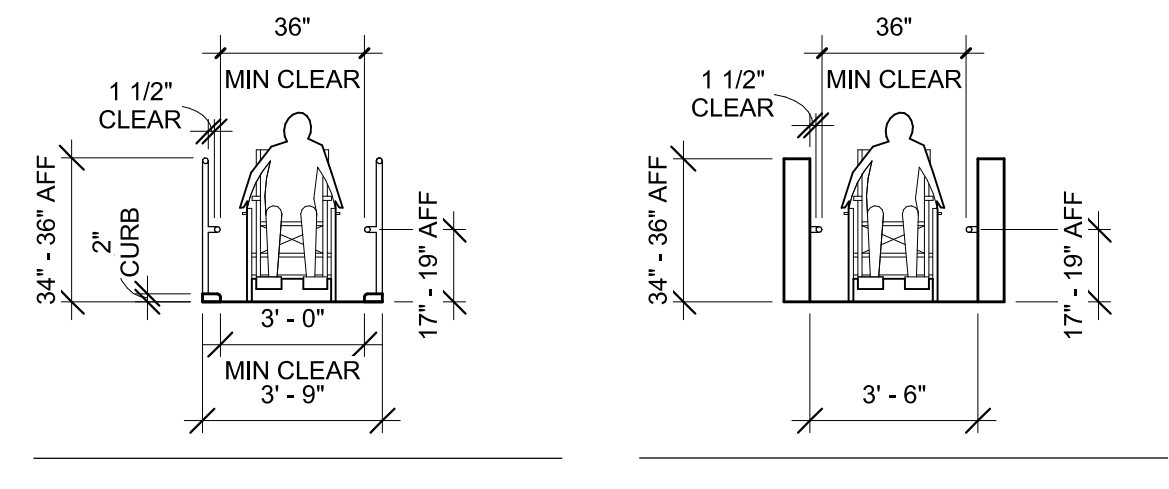
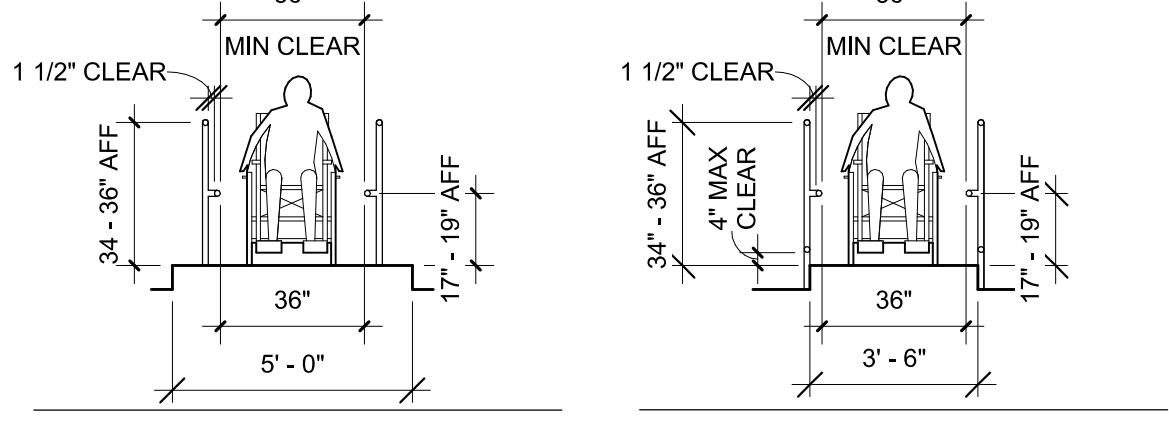
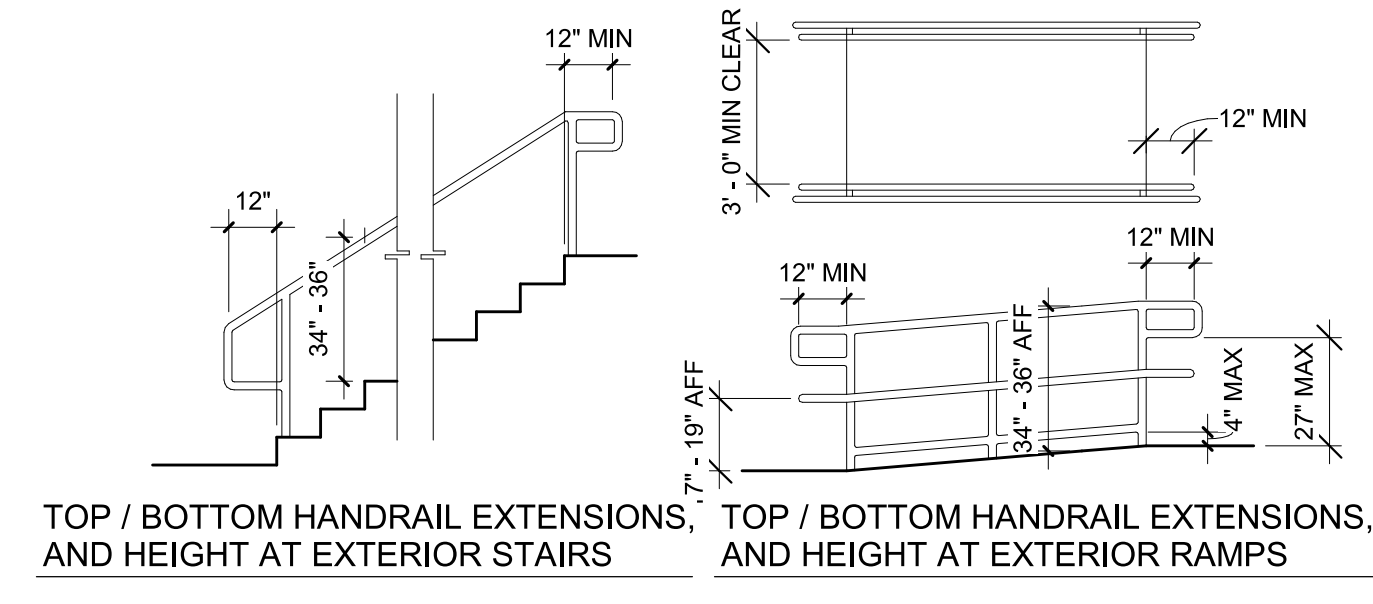
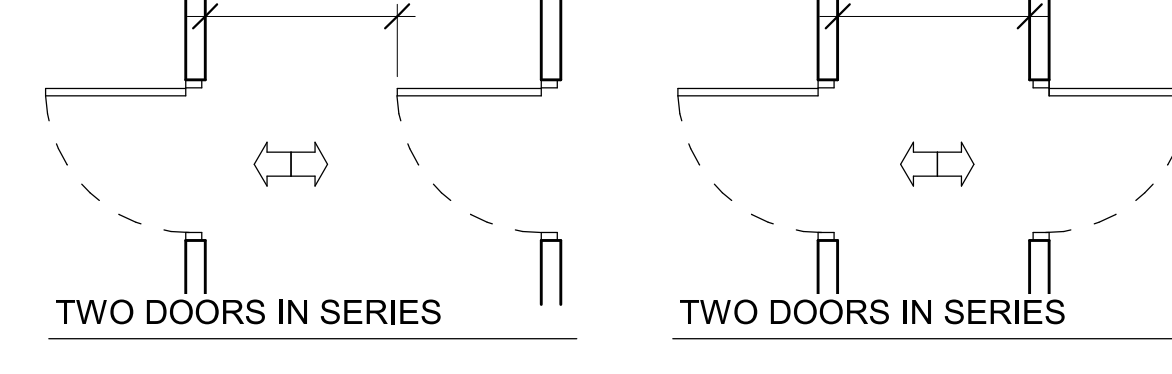
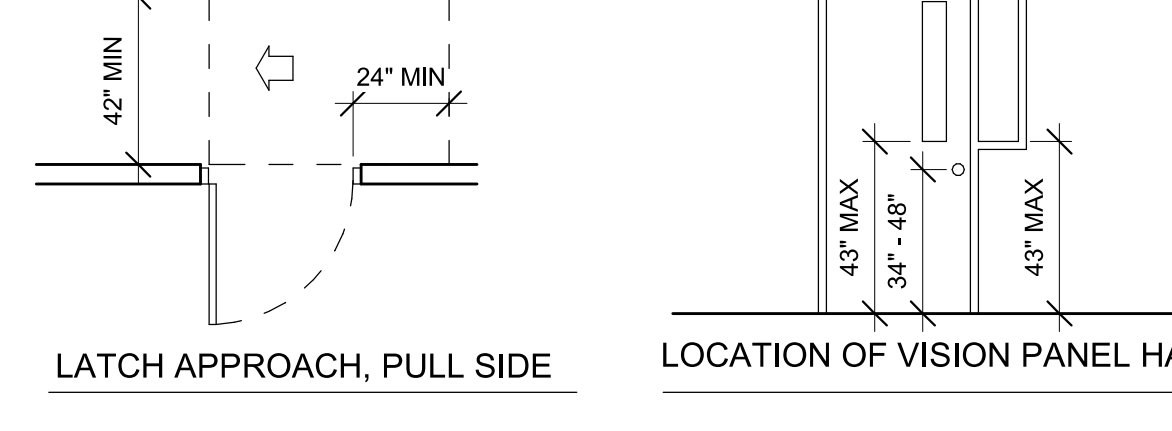
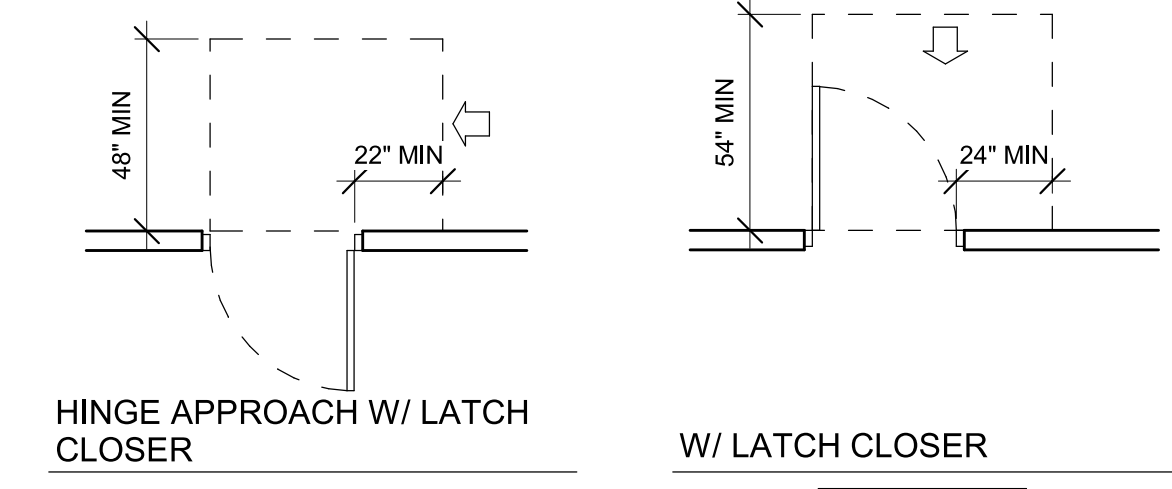
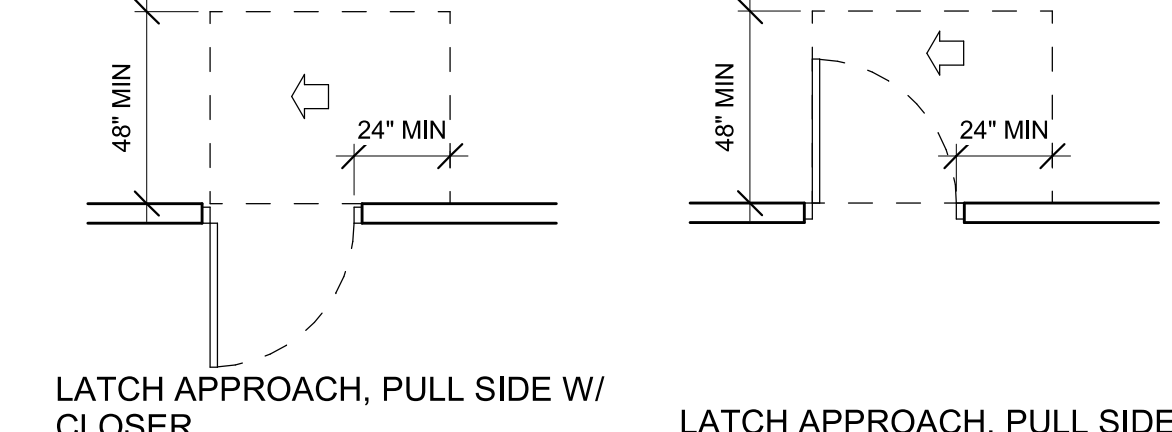
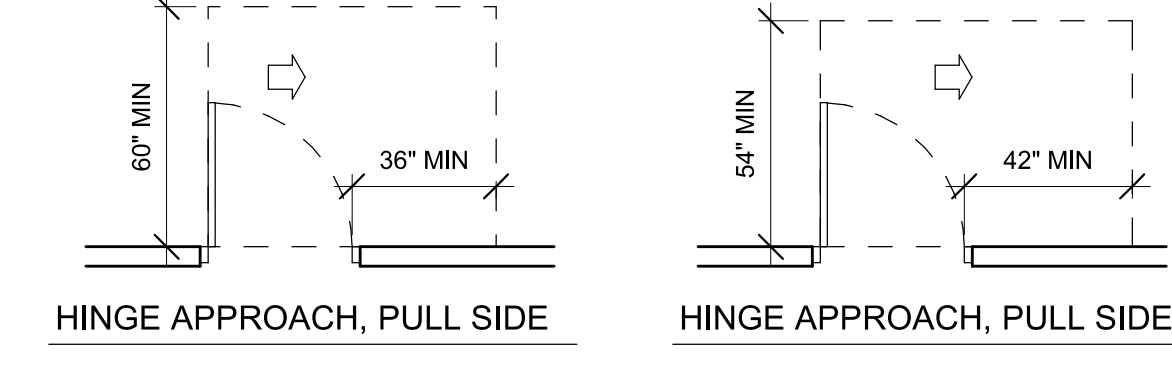
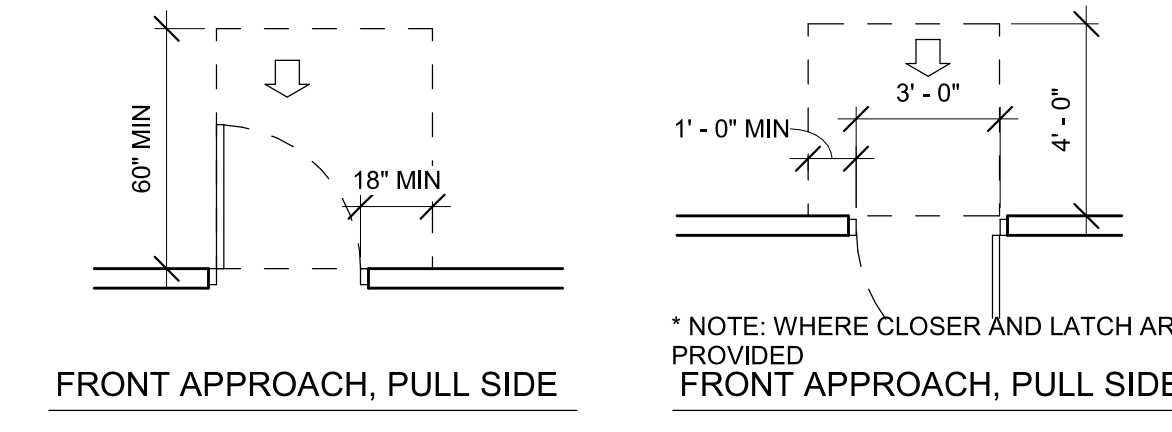
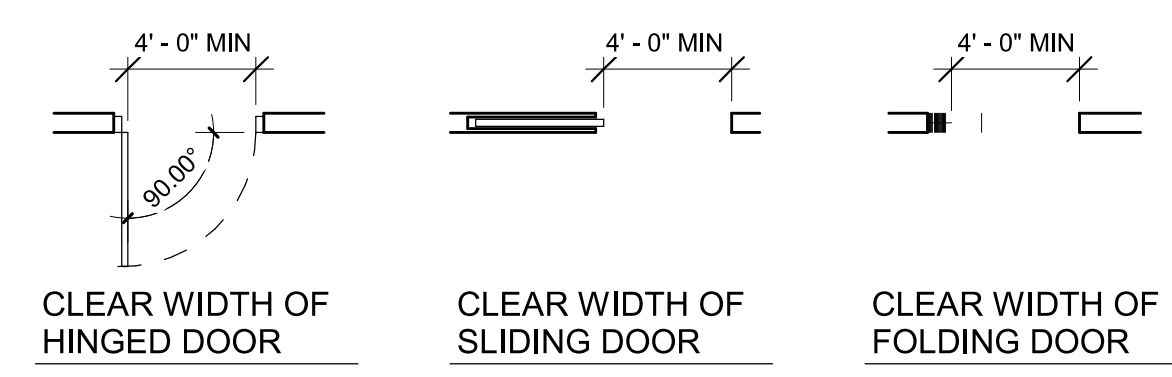
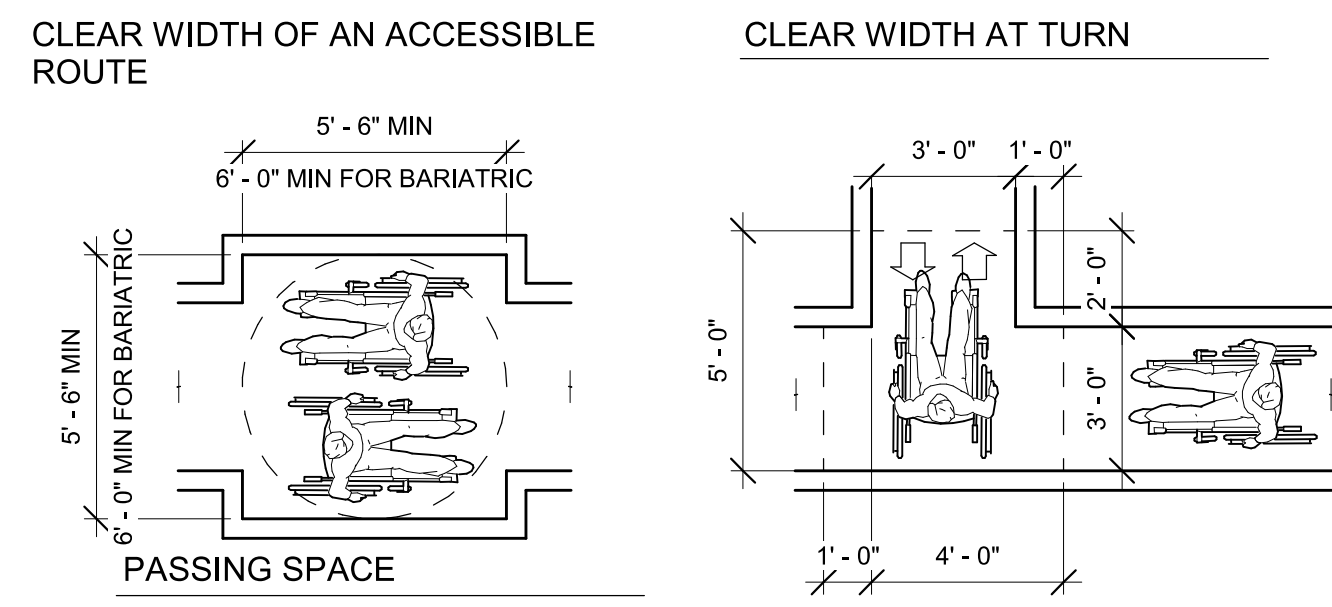
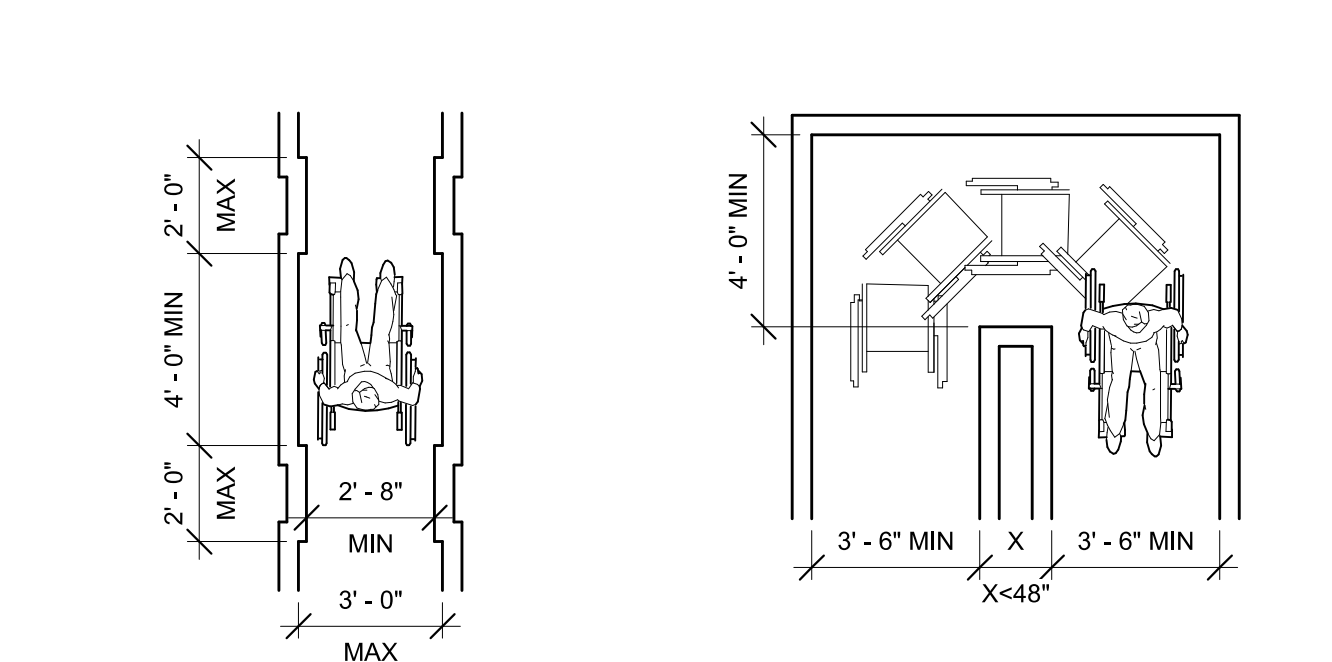


GENERAL SHEET NOTES

- A. ALL ACCESSIBILITY DETAILS COMPLY WITH FEDERAL ABAS AND THE VA BARRIER FREE DESIGN GUIDE, PG-18-13.
- B. DETAILS ARE PROVIDED FOR REFERENCE ONLY. THESE DETAILS SHOW MINIMUM REQUIREMENTS. REFER TO ARCHITECTURAL DRAWINGS FOR ACTUAL DIMENSIONS. WHERE NOTHING IS INDICATED ON OTHER DRAWINGS, GENERAL CONTRACTOR IS TO REFER TO THESE DETAILS.
- C. ADDITIONAL REQUIREMENTS ARE SHOWN ON OTHER SHEETS IN CONSTRUCTION DOCUMENTS. THIS SHEET DOES NOT REPRESENT ALL REQUIREMENTS.
- D. REINFORCING SHALL BE PROVIDED AND INSTALLED AT ALL WALL MOUNTED EQUIPMENT PER WALL BACKING DETAILS.

1 2 3 4 5 6 7 8 9 10

A



C

D

E

F

A

B


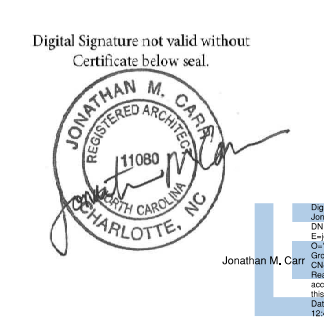

C

D

E

F

F1 ACCESSIBILITY LEGEND
1/4" = 1'-0"

CONSULTANTS CONSULTING STRUCTURAL ENGINEERS		ARCHITECT/ENGINEER OF RECORD A/E: HARRELL DESIGN GROUP PC 10720 SIKES PLACE, SUITE 100 CHARLOTTE, NC 28277 704-814-1346 POC: LEE HARRELL PE, LEED AP, QCCP PRESIDENT HDG PROJECT: 19022 		STAMP 	DRAWING TITLE ACCESSIBILITY LEGEND APPROVED	PHASE CONSTRUCTION DOCUMENTS SUBMISSION FULLY SPRINKLERED	PROJECT TITLE RENOVATE SPACE FOR LOGISTICS (B-1) LOCATION FAYETTEVILLE VA MEDICAL CENTER ISSUE DATE 11 APRIL 2024	CHECKED Checker	DRAWN Author	PROJECT NUMBER 564-24-104 BUILDING NUMBER 1 DRAWING NUMBER GI003-A	 VETERANS HEALTH CARE SYSTEM OF THE OZARKS VA U.S. Department of Veterans Affairs
---	--	---	--	---	--	--	---	--------------------	-----------------	---	--

BIM 360/19022 - Fayetteville, MD Project No. 564-19-003 Renovation of SPS/19022 - ARCH - R2020.rvt
 4/12/2024 11:19:48 AM
 VA FORM 08-6231

1 2 3 4 5 6 7 8 9 10