

A

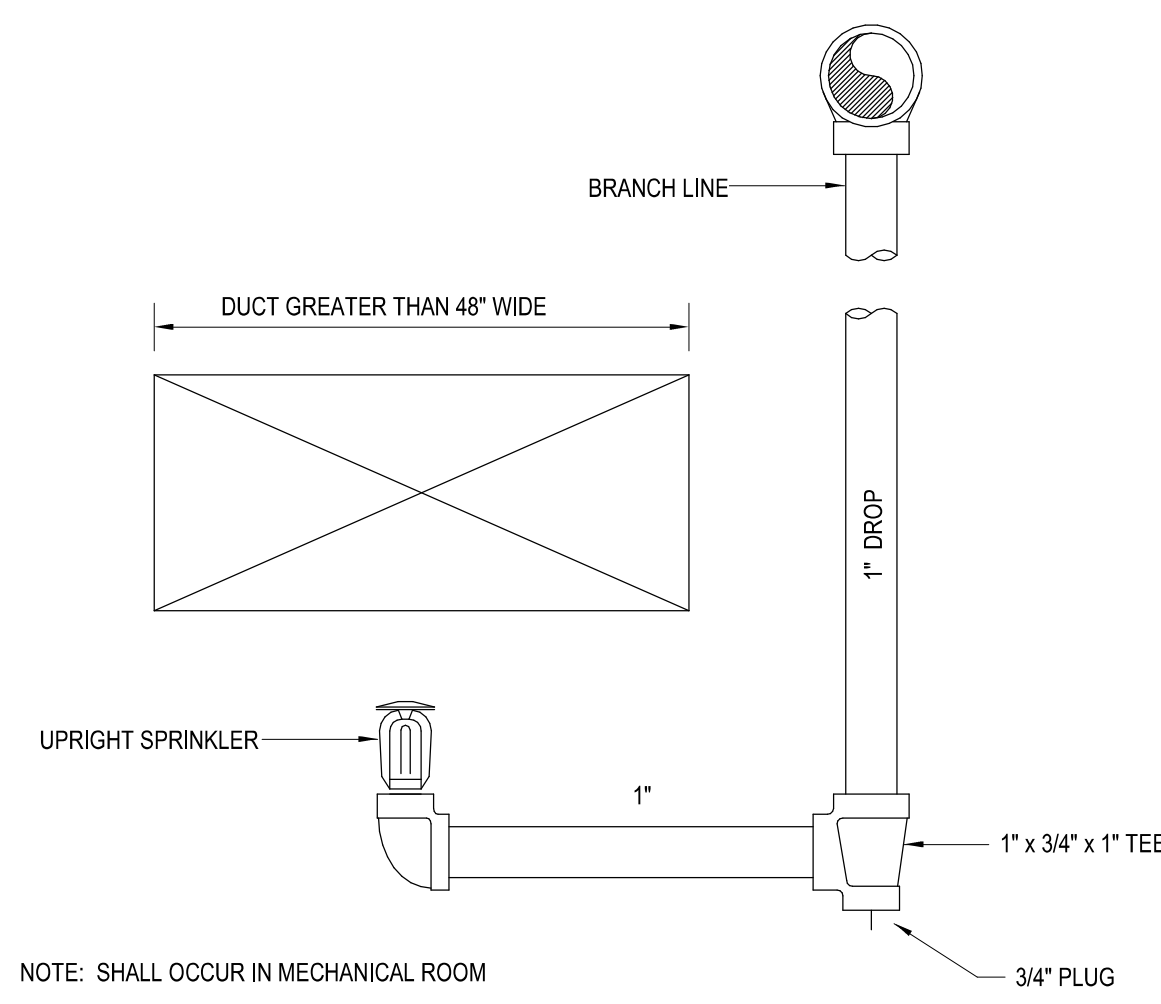
B

C

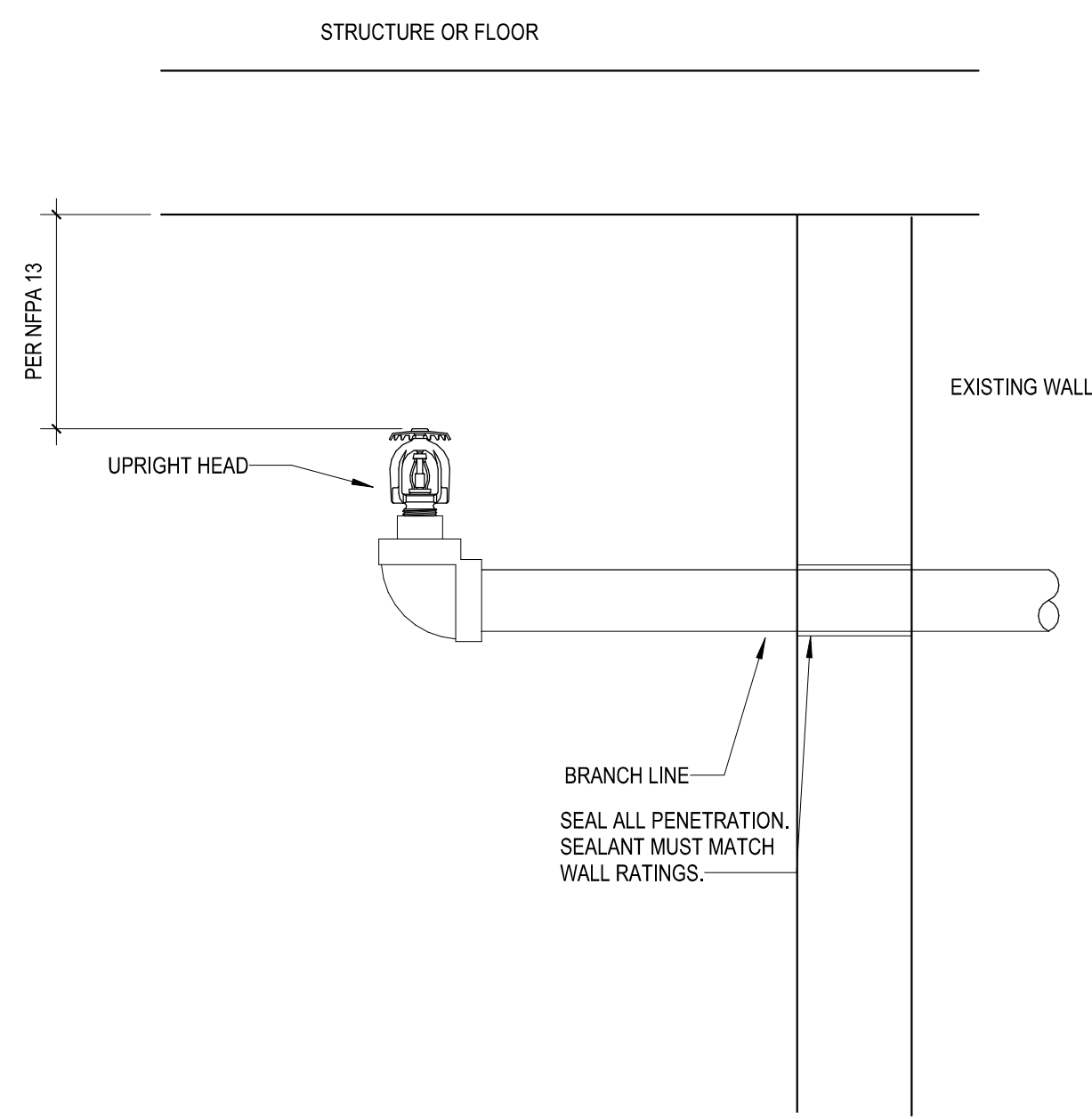
D

E

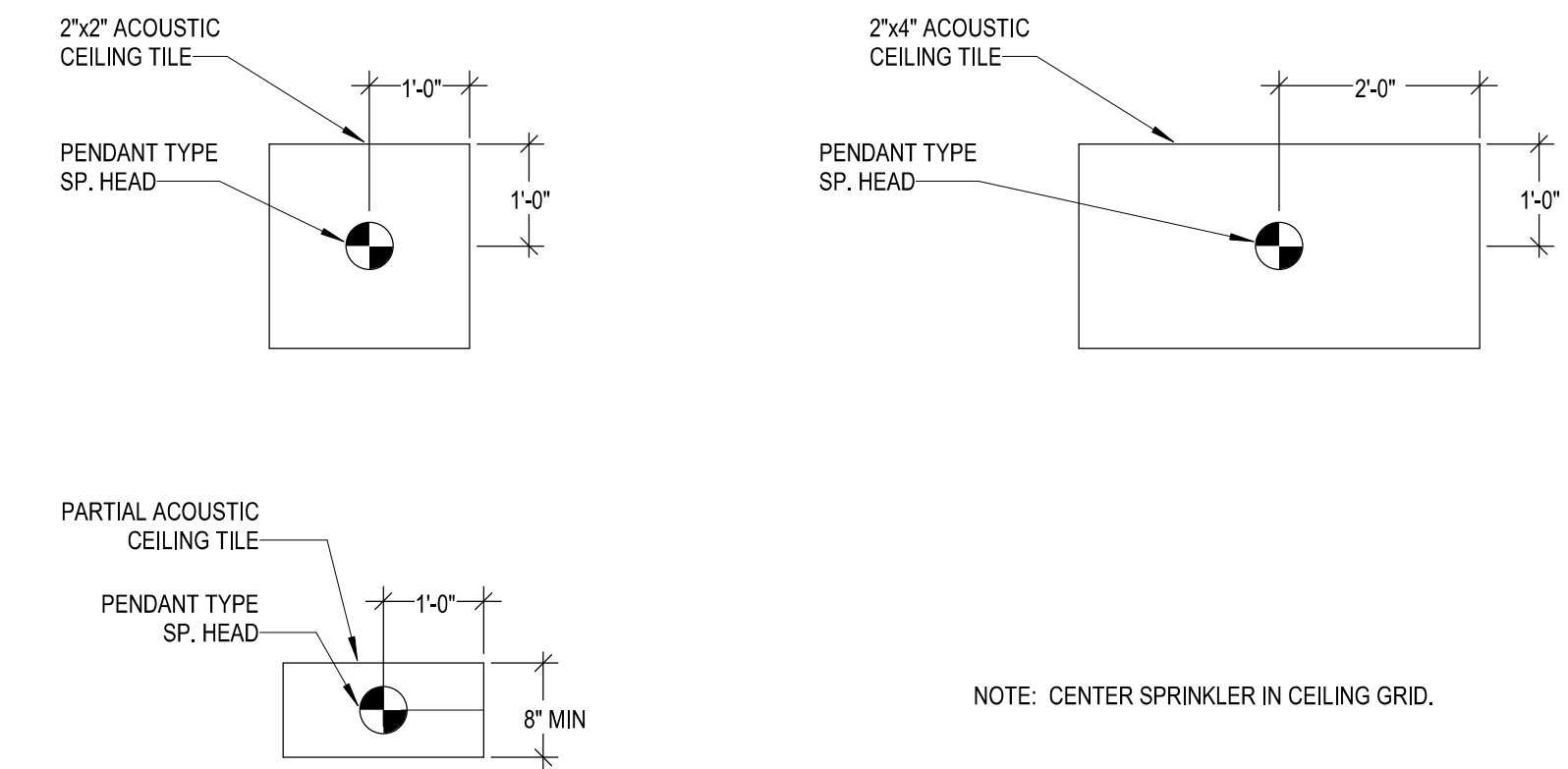
F



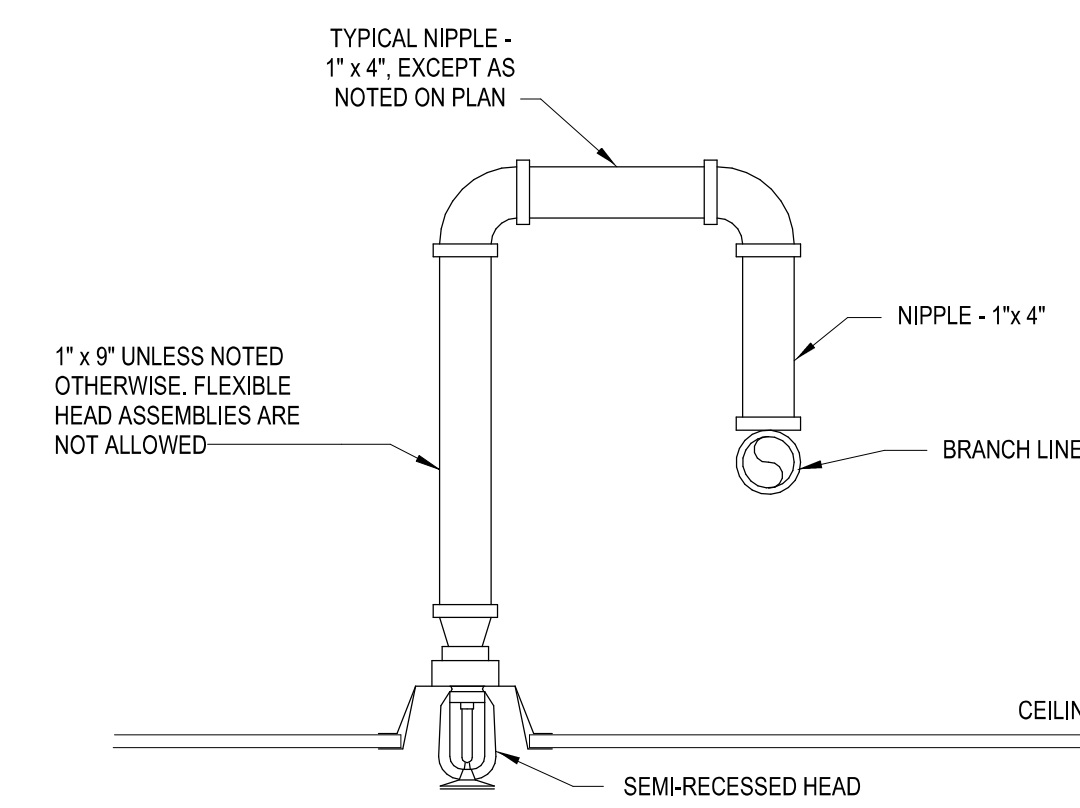
**B1 DUCT SPRINKLER DETAIL**  
NOT TO SCALE



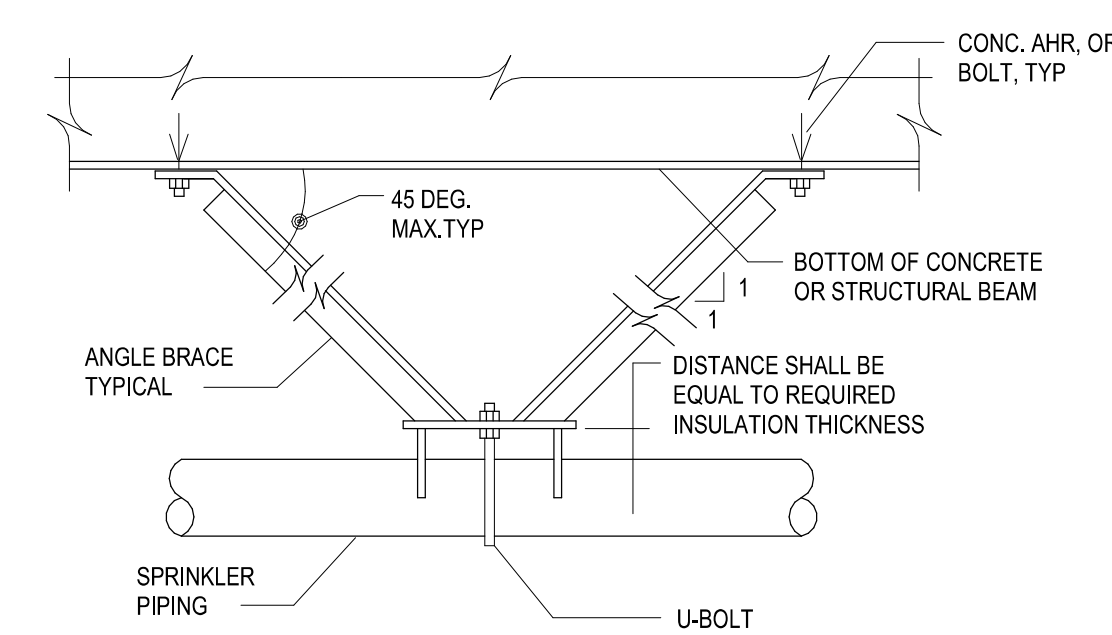
**B5 TYPICAL UPRIGHT HEAD THROUGH WALL DETAIL**  
NOT TO SCALE



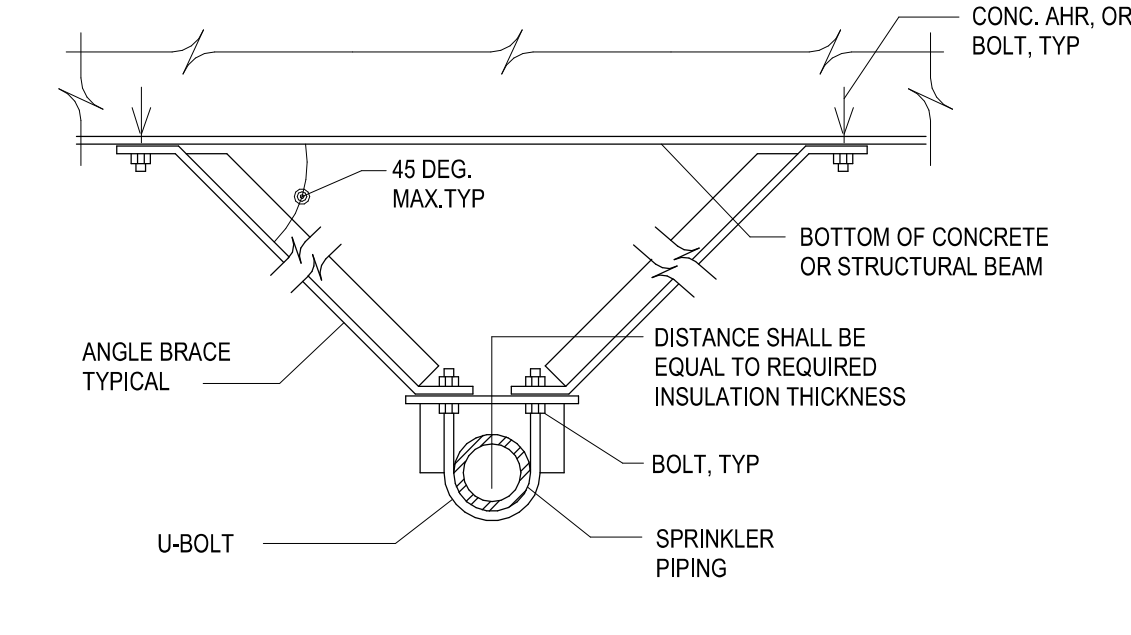
**B8 SPRINKLER HEAD LOCATION**  
NOT TO SCALE



**D8 TYPICAL SEMI-RECESSED SPRINKLER HEAD DETAIL**  
NOT TO SCALE



**LONGITUDINAL BRACE DETAIL**



**TRANSVERSE BRACE DETAIL**

- NOTES:**
- A. DETAILS SHOWN ARE FOR PIPE BRACING. OTHER EQUIPMENT BRACING SHALL BE SIMILAR.
  - B. PIPE SIZES SHALL BE COORDINATED WITH PIPING, AND EQUIPMENT ACTUAL SIZES.
  - C. BRACE SIZES, SPACINGS, LOCATIONS, AND ATTACHMENTS SHALL BE AS SPECIFIED. BRACES SHALL BE FULLY COORDINATED WITH STRUCTURAL FRAMING AND WITH ALL OTHER BUILDING MATERIALS AND SERVICES.
  - D. TRANSVERSE AND LONGITUDINAL BRACES MAY BE COMBINED WHERE REQUIRED TO RESIST MOTIONS IN BOTH DIRECTIONS AT THE SAME TIME.
  - E. PIPING CLAMPS MAY BE UTILIZED IN LIEU OF WELDING AT BLACK STEEL OR OTHER PIPING MATERIALS.

**F8 SEISMIC BRACING DETAIL**  
NOT TO SCALE

4/11/2024 4:07:28 PM  
E:\1360\19202 - Fayetteville IDIC Project No. 564-19-103 Renovation of SPS\19202 - PLUMB - R2024.rvt

Revision Number	Revisions:	Date:

**CONSULTANTS**  
CONSULTING STRUCTURAL ENGINEERS

**ARCHITECT/ENGINEER OF RECORD**

A/E:  
HARRELL DESIGN GROUP PC  
10720 SIKES PLACE, SUITE 100  
CHARLOTTE, NC 28277  
704-814-1346  
POC: LEE HARRELL PE, LEED AP, QCCP  
PRESIDENT  
HDG PROJECT: 19022

WWW.HARRELLDG.COM  
COPYRIGHT © 2024

**STAMP**

**DRAWING TITLE**  
FIRE PROTECTION DETAILS

APPROVED

**PHASE**  
CONSTRUCTION DOCUMENTS SUBMISSION

FULLY SPRINKLERED

**PROJECT TITLE**  
RENOVATE SPACE FOR LOGISTICS (B-1)

**PROJECT NUMBER**  
564-24-104

**BUILDING NUMBER**  
1

**DRAWING NUMBER**  
FX501-A

**LOCATION**  
FAYETTEVILLE VA MEDICAL CENTER

**ISSUE DATE**  
11 APRIL 2024

**CHECKED**  
WGG

**DRAWN**  
DM

**Engineering Service**

VETERANS HEALTH CARE SYSTEM OF THE OZARKS

**VA** U.S. Department of Veterans Affairs