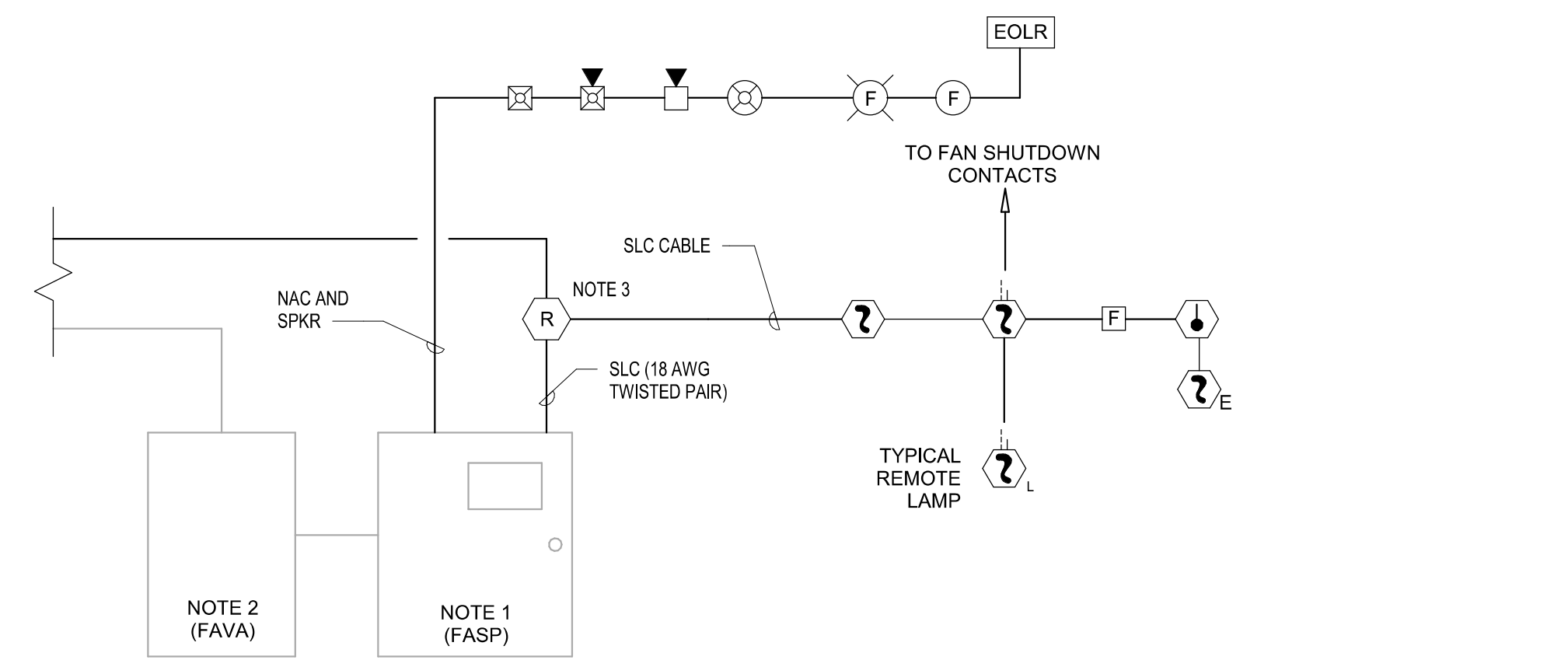


* WHILE NFPA 101 DOES NOT REQUIRE SOME DETECTORS TO NOTIFY BUILDING OCCUPANTS, VA REQUIRE ALL SMOKE DETECTORS, OTHER THAN DUCT SMOKE DETECTORS, TO NOTIFY BUILDING OCCUPANTS. ONLY INSTALL SMOKE DETECTORS WHEN REQUIRED BY THE LIFE SAFETY CODE OR ITS REFERENCES.
 ** THOSE DOORS THAT ARE REQUIRED TO BE TIED TO THE FIRE ALARM SYSTEM SUCH AS DELAYED EGRESS AND ACCESS CONTROLLED DOORS.
 *** THIS APPLIES TO AMBULATORY HEALTH CARE OCCUPANCIES THAT REQUIRE SMOKE BARRIERS PER NFPA 101 OR ARE DESIGNED WITH MULTIPLE SMOKE ZONES.

OUTPUT		1	2	3	4	5	6	7	8	9	10	11
INPUT DEVICES		SOUND GENERAL BUILDING ALARM FOR OTHER AND NON-HIGH RISE (NON-HEALTH CARE). SEE SECTION 7.2.1										
		NOTIFY NECESSARY STAFF FOR RESPONSE TO HEALTH CARE ** AND HIGH RISE BUILDING ONLY (ALARM SIGNAL MAY BE DIFFERENT ON DIFFERENT FLOORS).										
A DUCT SMOKE DETECTOR *		NOTIFY FIRE DEPARTMENT										
		INITIATE SUPERVISORY SIGNAL TO A 24-HOUR MANNED POINT FOR IMMEDIATE RESPONSE.										
B AREA SMOKE DETECTOR *		CLOSE ASSOCIATED SMOKE BARRIER DOORS ON THE FLOOR.										
		CLOSE DAMPER ON FAN PROXIMATE TO DETECTOR										
C DOOR RELEASE SMOKE DETECTOR *		SHUT DOWN AIR HANDLER SERVED BY THE DETECTOR										
		RECALL ELEVATOR.										
D ELEVATOR SMOKE DETECTOR *		INITIATE ELEVATOR SHUT DOWN AND DISCONNECT ELEVATOR POWER.										
		OPEN ** LOCKED EGRESS DOORS ON THE FLOOR OF FIRE ORIGIN.										
E MANUAL PULL STATION		DISCONNECT FUEL SOURCE FROM COOKING EQUIPMENT										
F ELEVATOR MACHINE ROOM HEAT DETECTOR												
G GENERATOR ROOM HEAT DETECTOR												
H SPRINKLER WATERFLOW/PRESSURE SWITCH												
I WATER CONTROL VALVE TAMPER												
J FIRE PUMP (ANY CONDITION REQUIRED BY NFPA 20)												
K HIGH/LOW PRESSURE DRY-PIPE SPRINKLER SYSTEM												
L KITCHEN HOOD SUPPRESSION SYSTEM												
M GAS EXTINGUISHING SYSTEM												
N DRY-PIPE VALVE ROOM TEMPERATURE ALARM												
O DEDICATED FIRE WATER STORAGE TANK LOW LEVEL												
P DEDICATED FIRE WATER STORAGE TANK LOW TEMPERATURE												

A - DO NOT PROVIDE DUCT DETECTORS IN DEDICATED (100%) EXHAUST FANS, THEY SHOULD CONTINUE TO RUN.
 B - THE FACILITY IS PERMITTED TO SOUND THE GENERAL ALARM OR NOTIFY NECESSARY STAFF IN LIEU OF INITIATING A SUPERVISORY SIGNAL TO BE CONSISTENT WITH THE OPERATION OF EXISTING SYSTEMS.

	FIRE ALARM SYSTEM MANUAL PULL STATION
	WALL MOUNTED FIRE ALARM SYSTEM STROBE DEVICE
	WALL MOUNTED FIRE ALARM SYSTEM SPEAKER DEVICE. 75 CANDELA STROBE UNLESS OTHERWISE LABELED
	WALL MOUNTED FIRE ALARM SYSTEM SPEAKER/STROBE COMBINATION DEVICE. 75 CANDELA STROBE UNLESS OTHERWISE LABELED
	CILING MOUNTED FIRE ALARM SPEAKER
	FIRE ALARM SMOKE DETECTOR
	FIRE ALARM STROBE BOOSTER PANEL
	FIRE ALARM VOICE ACTIVATION PANEL
	FIRE ALARM REMOTE INDICATOR LAMP
	FIRE ALARM DUCT DETECTOR WITH SAMPLING TUBES AND AUXILIARY SHUTDOWN RELAY
	ADDRESSABLE FIRE ALARM SYSTEM RELAY/CONTROL MODULE
	CILING MOUNTED COMBINATION FIRE ALARM SPEAKER/STROBE DEVICE. BASIS OF DESIGN SYSTEM SENSOR.
	CILING MOUNTED FIRE ALARM STROBE DEVICE. 75 CANDELA STROBE UNLESS OTHERWISE NOTED.
	END OF LINE POWER SUPERVISORY RESISTOR
	FIRE SMOKE DAMPER



NOTES:

- EXISTING FIRE ALARM STROBE POWER SUPPLY.
- EXISTING DIGITAL VOICE AMPLIFIER.
- FIRE ALARM RELAY PROGRAMMED FOR STROBE OPERATION.
- DIGITAL SPEAKER NETWORK CABLE TO DIGITAL VOICE COMMAND PANEL.
- FIRE ALARM DEVICES ARE TO BE INSTALLED IN ACCORDANCE WITH NFPA 72.
- ACTUATION OF ANY SYSTEM INITIATING DEVICE SHALL ACTIVATE INDICATING DEVICES, IN ZONE OF ALARM.
- VERIFY COMPONENT TYPES AND QUANTITIES WITH PLAN DRAWINGS.
- ALL FIRE ALARM WIRING TO BE INSTALLED IN RED RACEWAYS.
- PROVIDE ALL REQUIRED POWER SUPPLIES, BOOSTER PANELS, MODULES, ETC. FOR A COMPLETE SYSTEM.
- FIRE ALARM CONTRACTOR TO COORDINATE SPECIFIC WIRING REQUIREMENTS WITH EQUIPMENT MANUFACTURER.
- SMOKE DETECTORS IN ELEVATOR LOBBIES, SHALL BE PROGRAMMED FOR ELEVATOR RECALL OPERATION.
- FIRE ALARM STROBES SHALL BE MINIMUM 75 CANDELA UNLESS OTHERWISE NOTED.

DEVICES SHOWN ON THE RISER DIAGRAM ARE TYPICAL. REFER TO THE FLOOR PLANS FOR DEVICE QUANTITIES AND LOCATIONS.

C3 FIRE ALARM SYSTEM RISER DIAGRAM - A
NO SCALE

4/12/2024 11:24:08 AM
 EBM 360/1919022 - Fayetteville (DD) Project No. 564-19-103 Renovation of SPS/19022 - ELECT - R0205.rvt

Revision Number	Revisions:	Date:

CONSULTANTS
 CONSULTING STRUCTURAL ENGINEERS

ARCHITECT/ENGINEER OF RECORD
 A/E:
 HARRELL DESIGN GROUP PC
 10720 SIKES PLACE, SUITE 100
 CHARLOTTE, NC 28277
 704-814-1346
 POC: LEE HARRELL PE, LEED AP, QCCP
 PRESIDENT
 HDG PROJECT: 19022

 WWW.HARRELLDG.COM
 COPYRIGHT © 2024

Digital Signature not valid without Certificate below seal.

 John G. Ross, PE
 Digitally signed by John G. Ross, PE
 DN: cn=John G. Ross, PE, o=Harrell Design Group, Inc., email=jross@harrelldg.com, c=US
 Date: 2024.04.12 11:23:21-0400'

DRAWING TITLE
GENERAL NOTES AND SCHEDULES

APPROVED

PHASE
CONSTRUCTION DOCUMENTS SUBMISSION

FULLY SPRINKLERED

PROJECT TITLE
RENOVATE SPACE FOR LOGISTICS (B-1)

PROJECT NUMBER
564-24-104
BUILDING NUMBER
1

LOCATION
FAYETTEVILLE VA MEDICAL CENTER

ISSUE DATE
11 APRIL 2024

CHECKED
CSR

DRAWN
CSR

DRAWING NUMBER
FA001-A

Engineering Service

 VA U.S. Department of Veterans Affairs