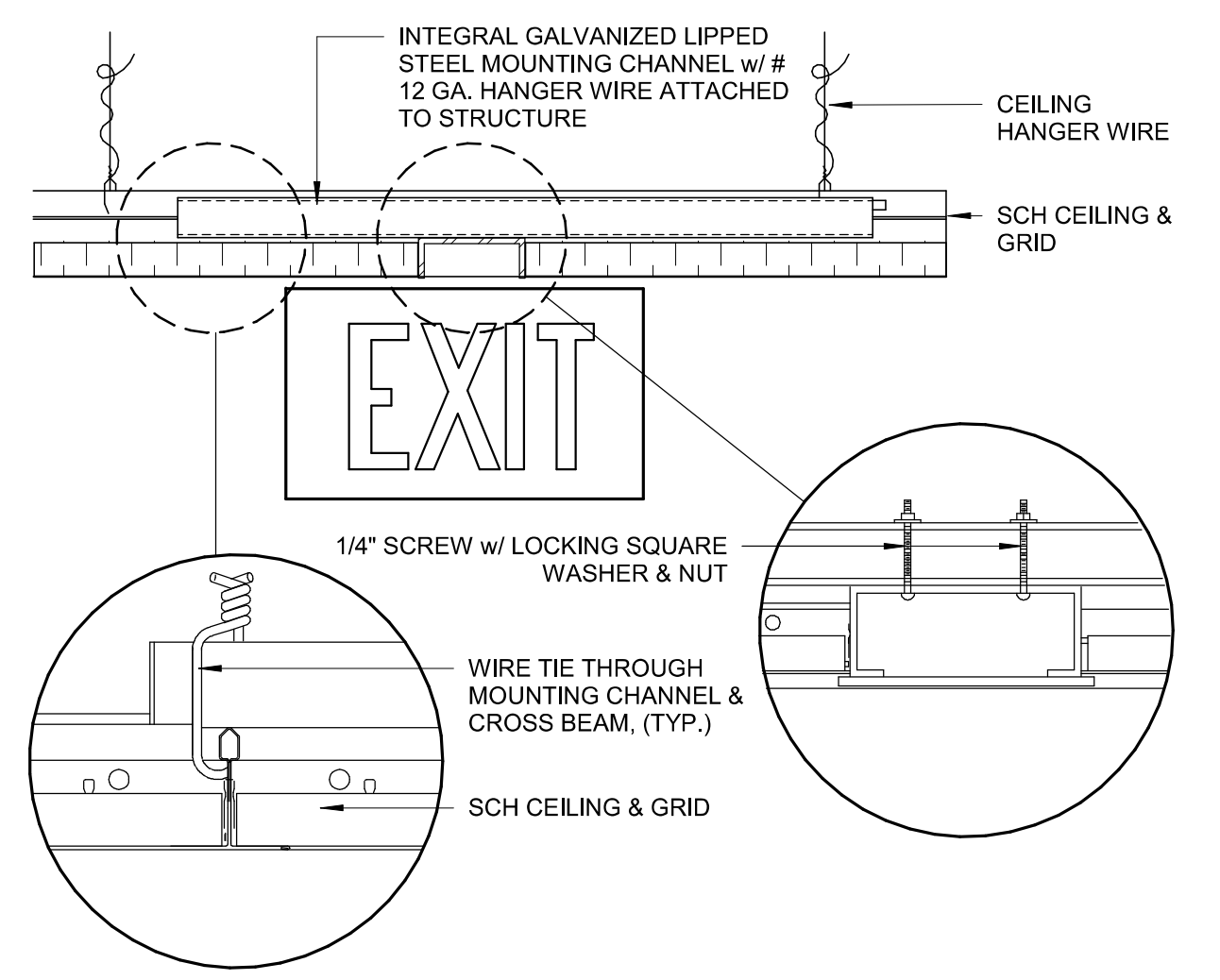


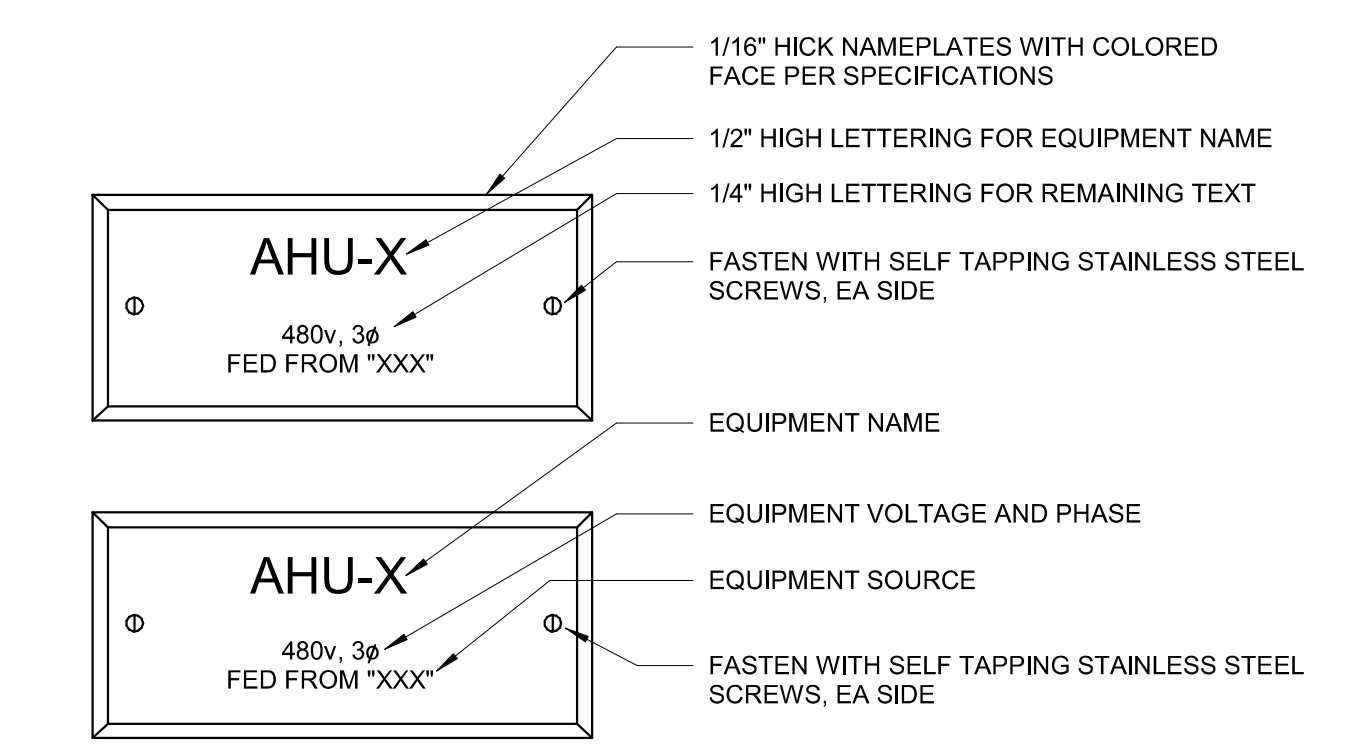
CONDUIT COLOR CHART & NOTES

SYSTEM (APPLICATION)	COLOR
1. FIRE ALARM	RED
2. NURSE CALL	BLUE
3. ELECTRICAL	SILVER
4. CABLE	WHITE
5. ACCESS CONTROL/CAMERA SYSTEM/INTERCOM	GREEN
6. TELEPHONE/DATA	PURPLE

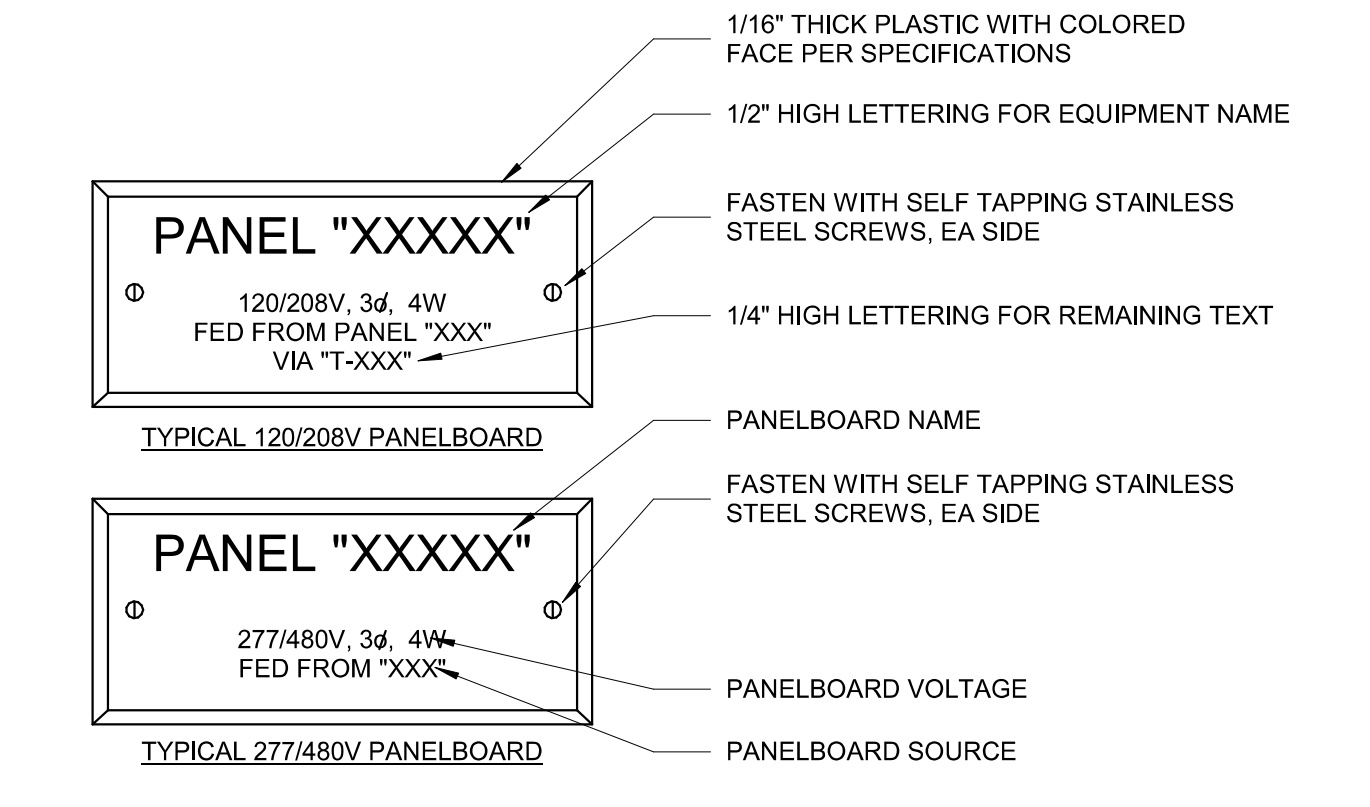
UL APPROVED, FACTORY POWDER-COAT PAINTED, COLORED RIGID METAL CONDUIT (RMC) AND UL APPROVED, FACTORY POLYMER PAINTED, COLORED ELECTRICAL METAL TUBING (EMT).



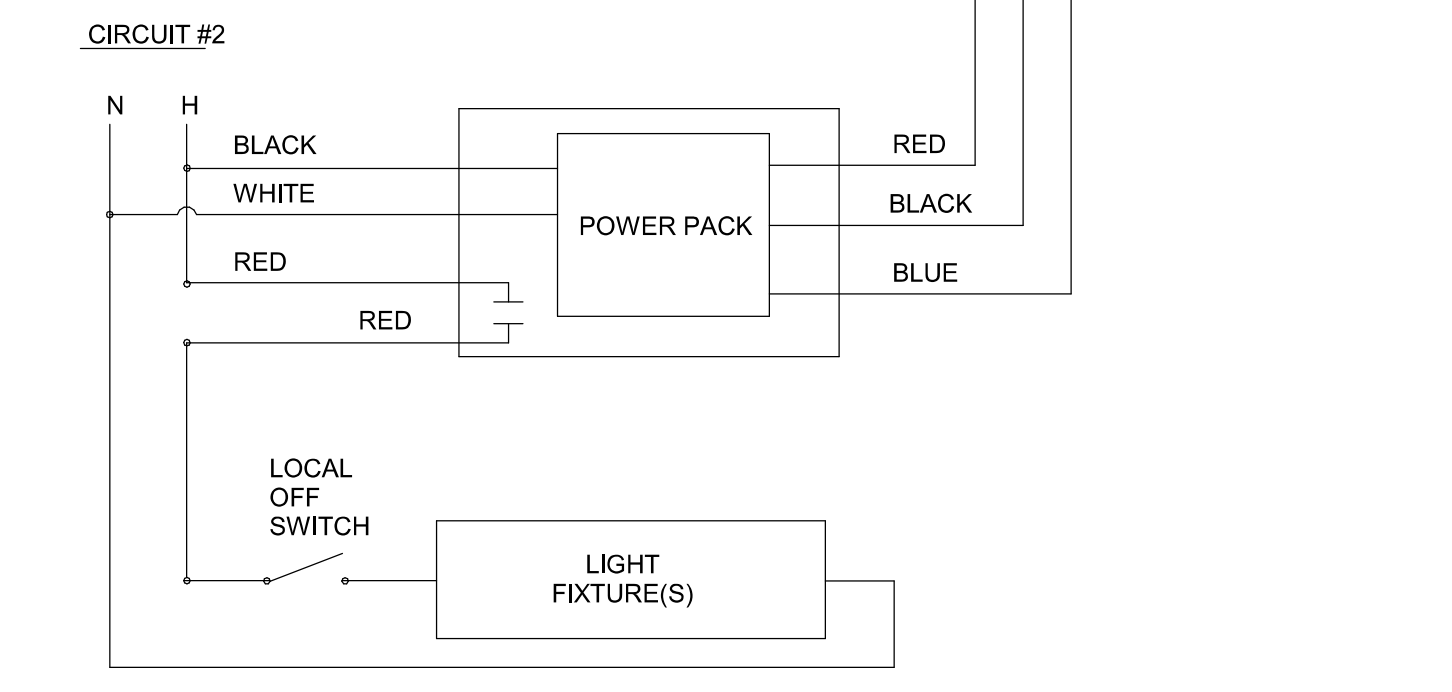
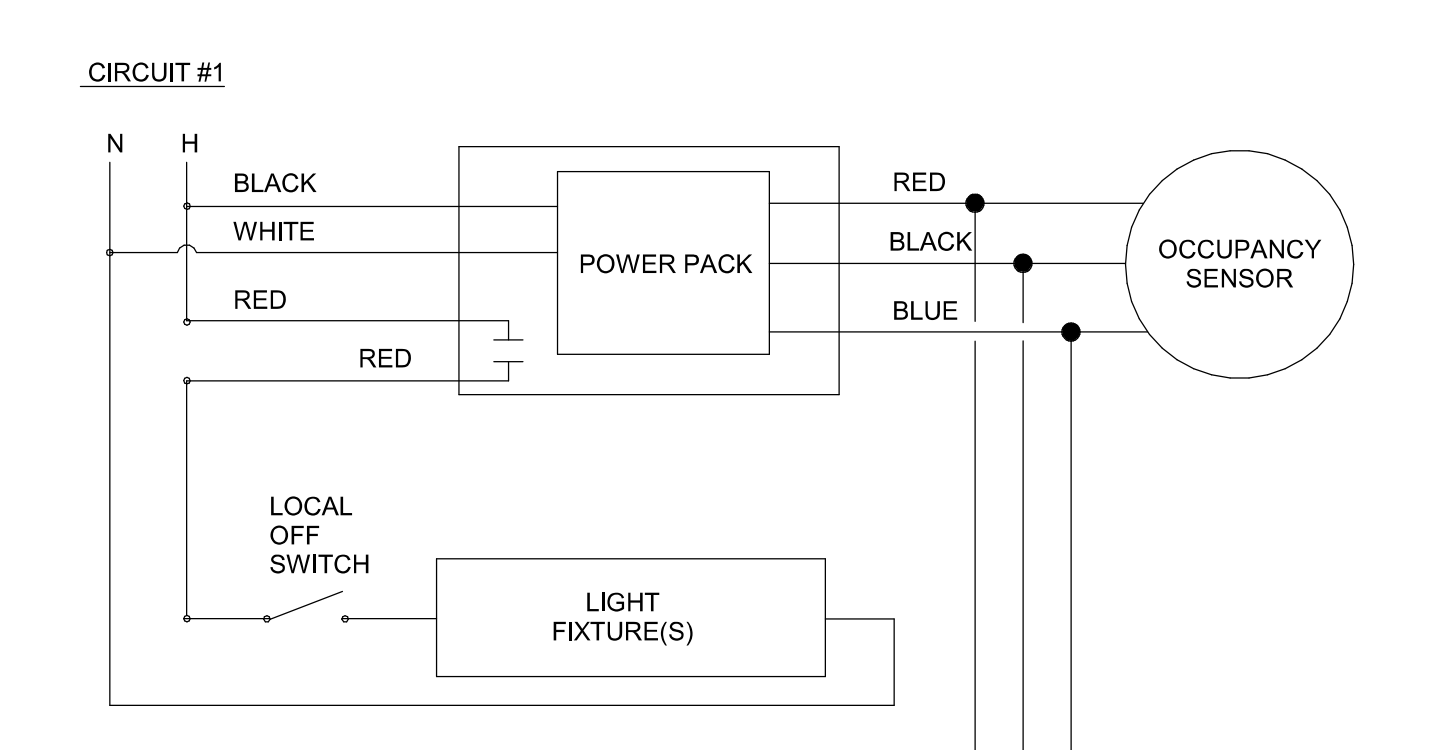
A5 EXIT SIGN MOUNTING - LAY-IN CEILING - A
NO SCALE



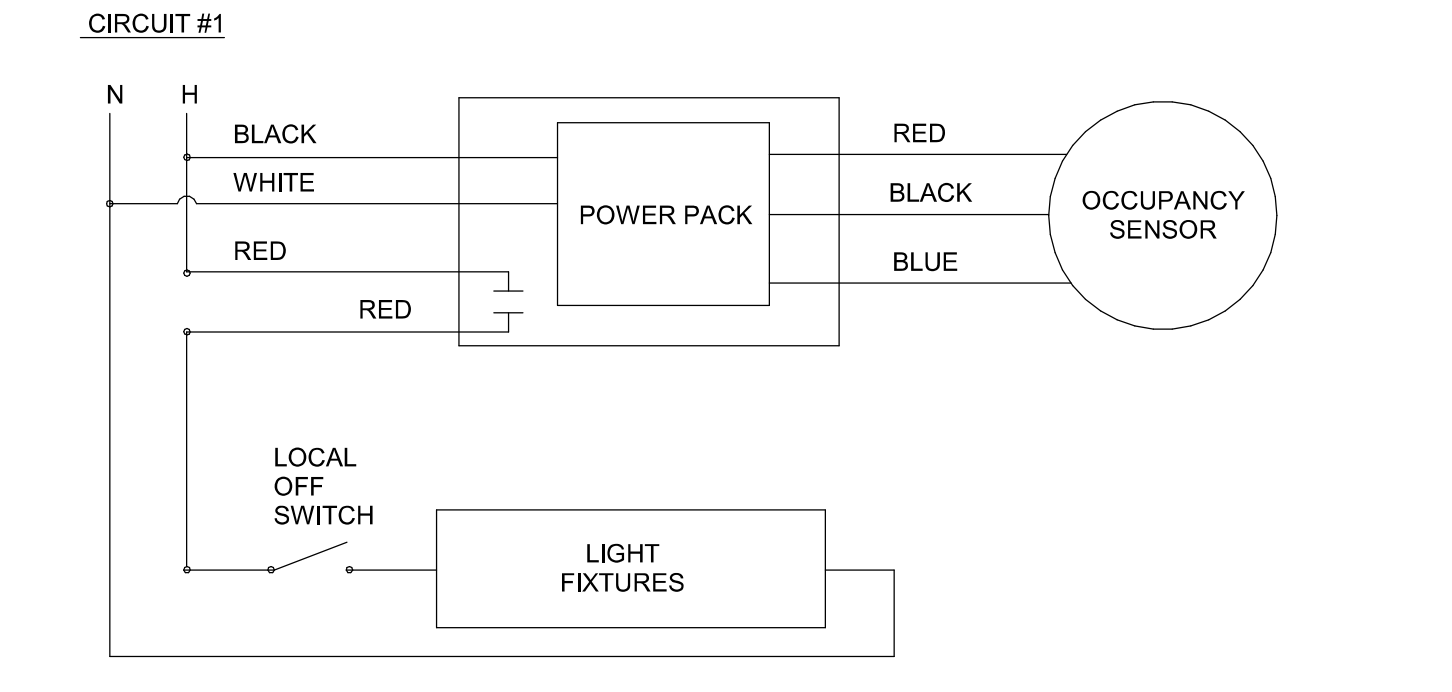
A7 EQUIPMENT NAMEPLATES - A
NO SCALE



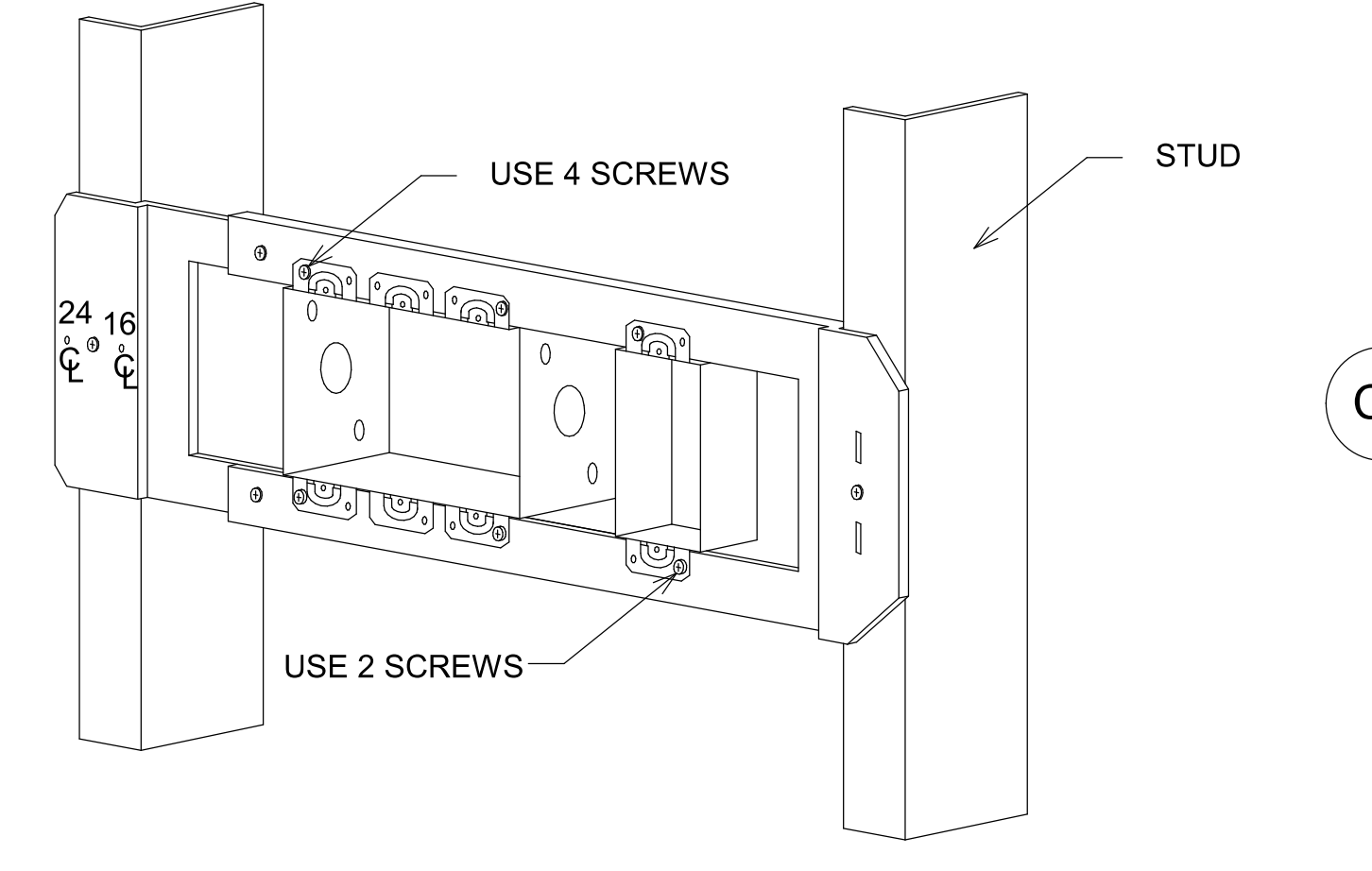
B7 PANELBOARD NAMEPLATES - A
NO SCALE



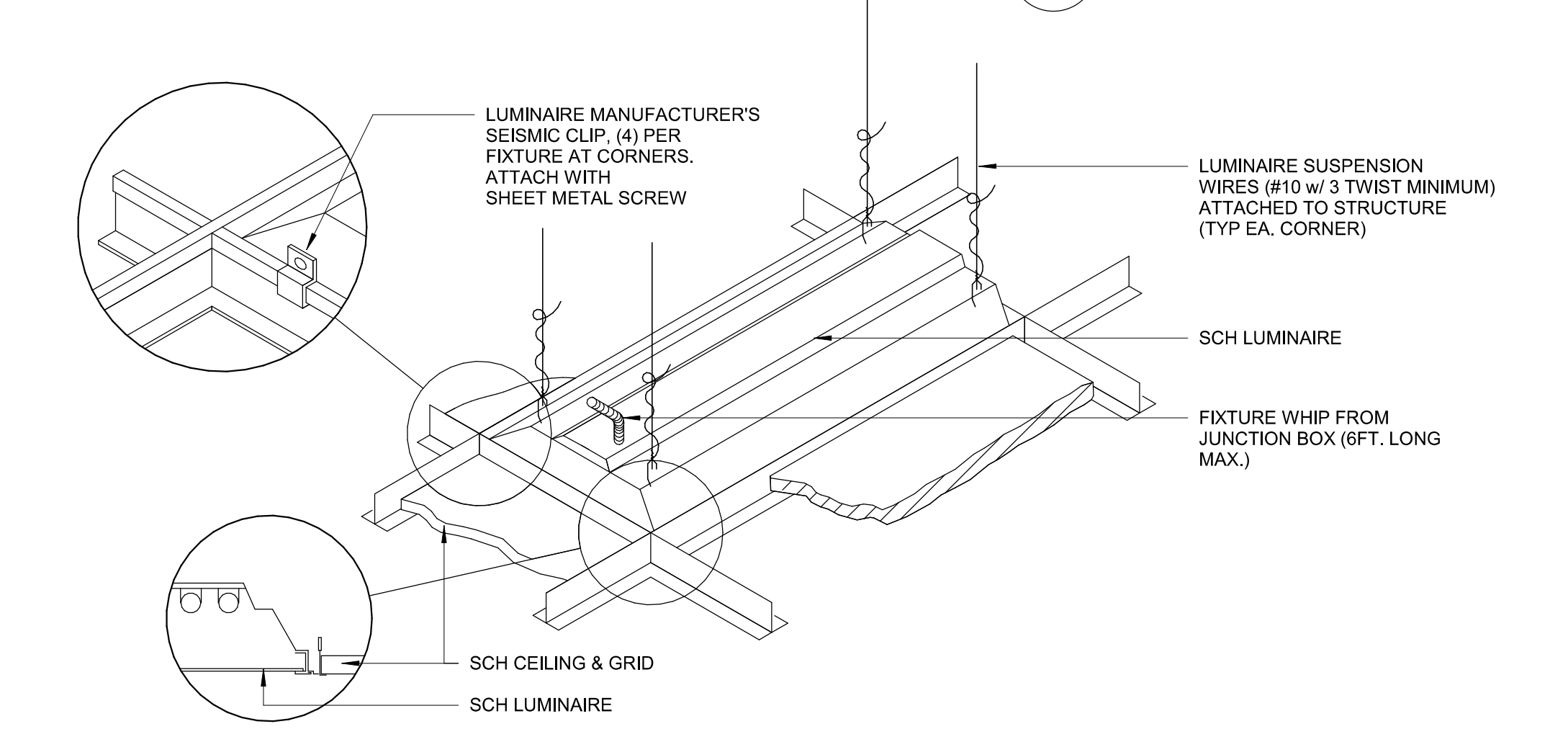
C9 OCCUPANCY SENSOR WIRING - TWO CIRCUIT - A
NO SCALE



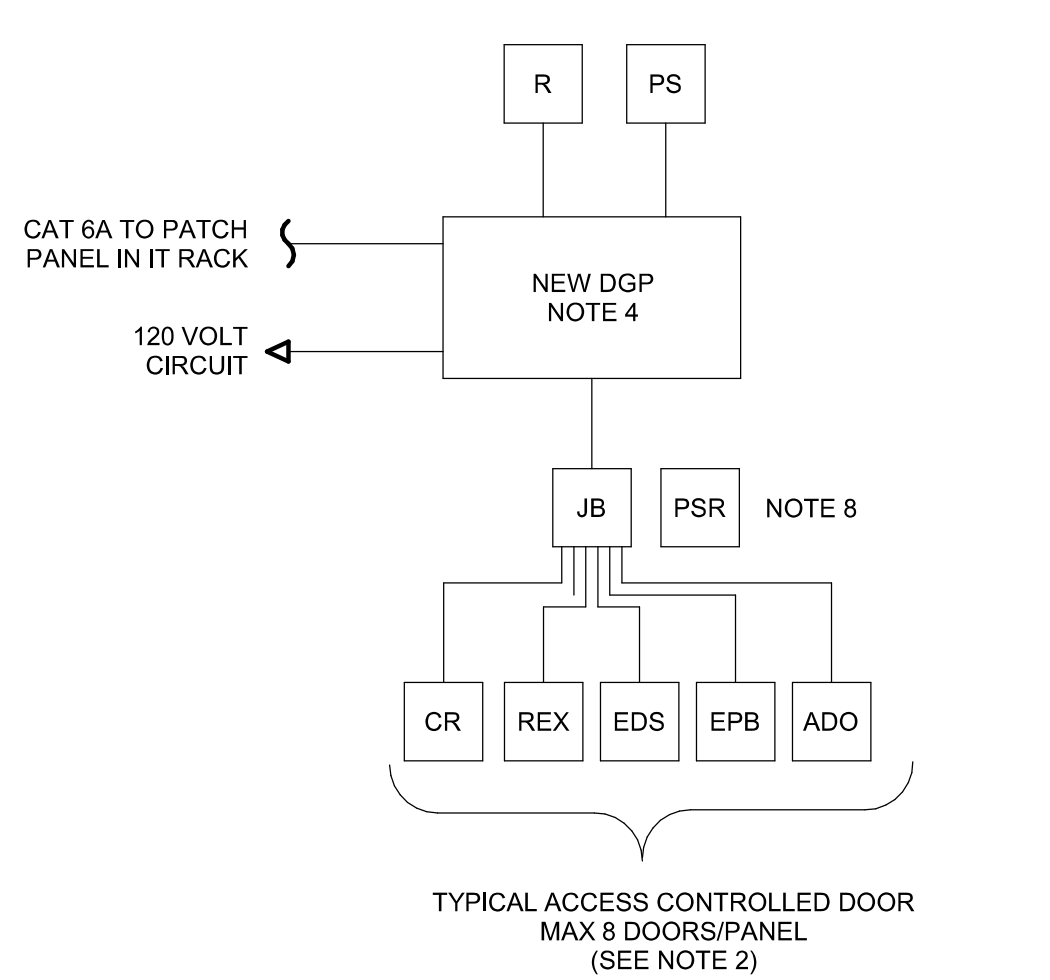
E9 OCCUPANCY SENSOR WIRING - SINGLE CIRCUIT - A
NO SCALE



D7 ELECTRICAL BOX MOUNTING DETAIL - A
NO SCALE

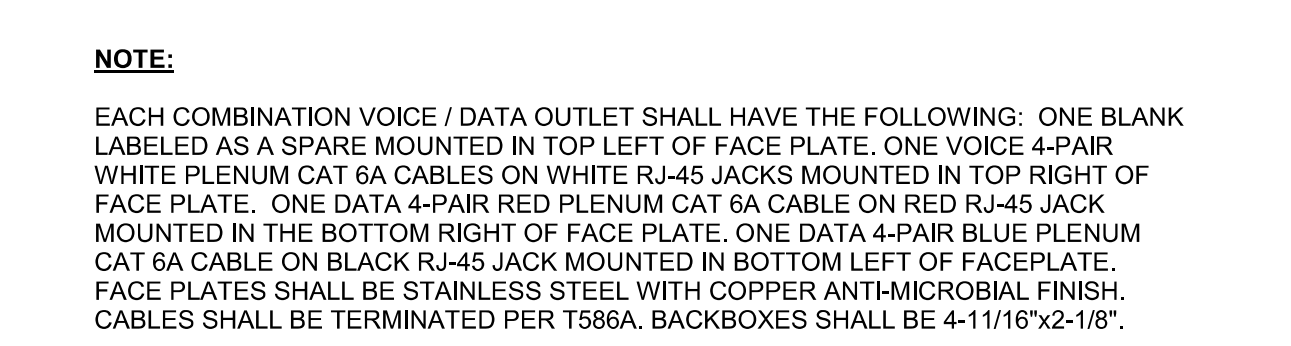


F7 LUMINAIRE MOUNTING - LAY-IN CEILING - A
NO SCALE

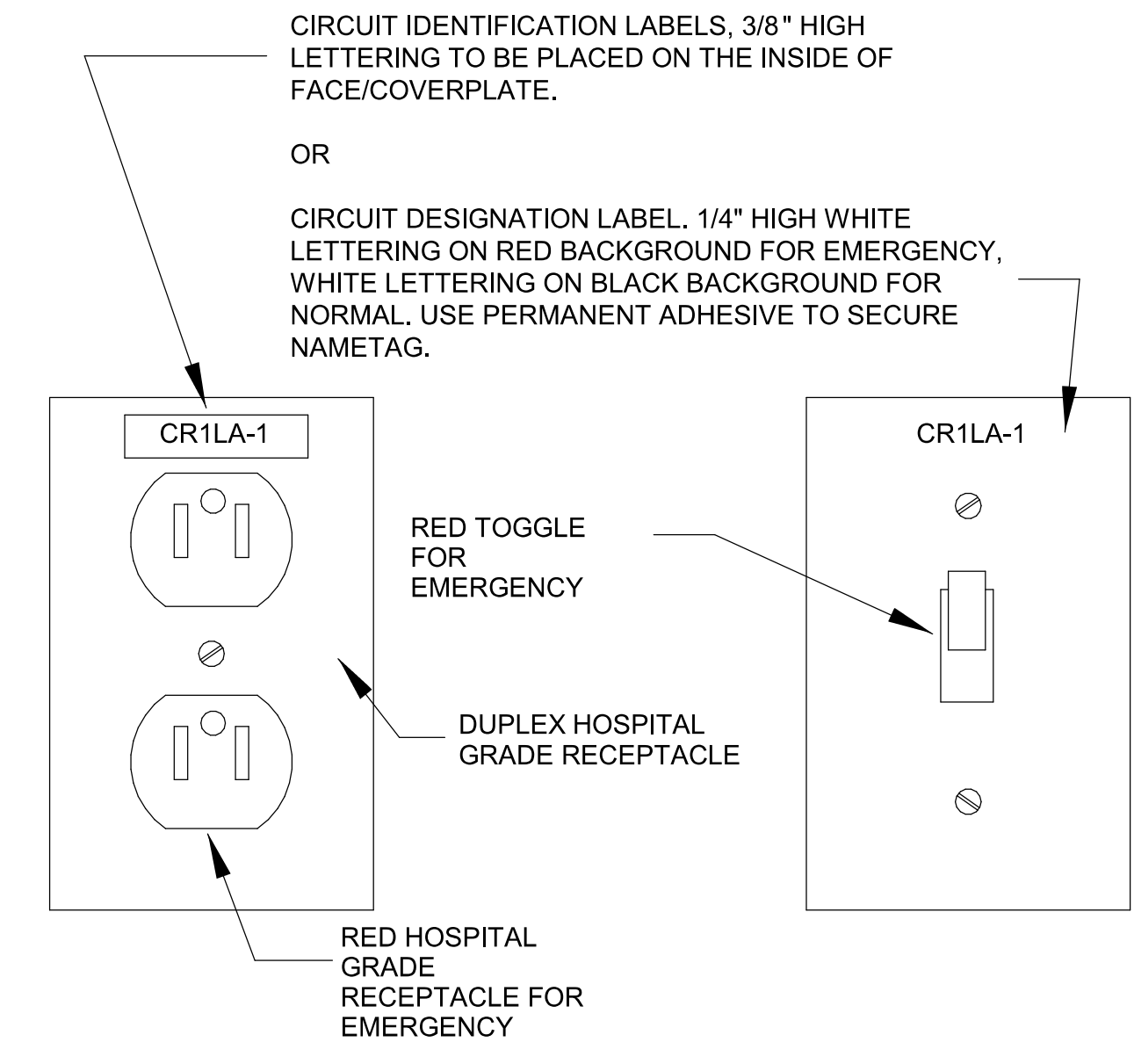


LEGEND

ADO	AUTOMATIC DOOR OPENER	PS	POWER SUPPLY
CR	CARD READER	R	FIRE ALARM RELAY
EDS	ELECTRIC DOOR STRIKE	PSR	REMOTE POWER SUPPLY / RELAY
EPB	EXIT PUSH BUTTON	DGP	DATA GATHERING PANEL



C5 TYPICAL VOICE/DATA OUTLET DIAGRAM - A
NO SCALE

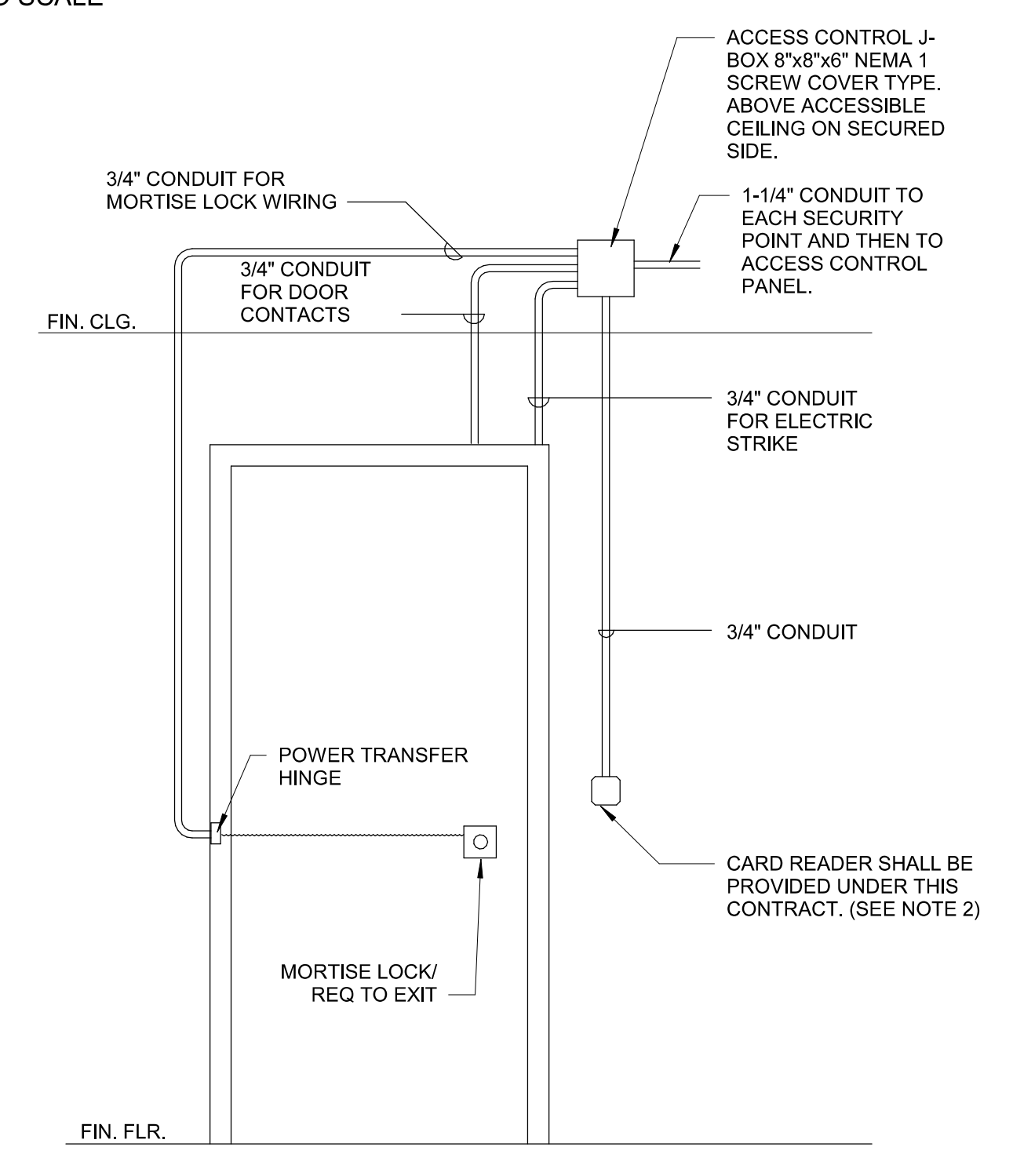


F4 TYPICAL RECEPTACLE/SWITCH NAMEPLATE - A
NO SCALE

CAMPUS STANDARD AND BASIS OF DESIGN FOR PACS SYSTEM IS TYCO CCURE 9000. ALL COMPONENTS SHALL BE COMPATIBLE WITH THE EXISTING SYSTEM AND SEAMLESSLY INTEGRATED.

- NOTES:**
- ACCESS CONTROL SYSTEM INSTALLATION SHALL BE CERTIFIED PACS BASIS OF DESIGN TECHNICIAN WHO SHALL BE PRESENT ON-SITE THROUGH INSTALLATION, STARTUP, AND TRAINING.
 - NOT ALL COMPONENTS USED ON EVERY DOOR. COORDINATE WITH ARCHITECTURAL DOOR HARDWARE SCHEDULE.
 - ALL CAT 6A CABLES FOR PACS SHALL BE PLENUM RATED AND OUTER INSULATION JACKET GRAY IN COLOR.
 - DATA GATHERING PANELS (DGP) ALSO REFERRED TO AS DOOR CONTROL OR CARD READER CONTROL PANELS ARE PROPRIETARY FOR THIS PROJECT AND SHALL BE (Insert).
 - MULTIPLE DGP MAY BE REQUIRED FOR THIS PROJECT PROVIDE NUMBER REQUIRED TO OPERATE ALL DOORS.
 - POWER TO OPERATE LOCKS SHALL ORIGINATE IN DGP THROUGH POWER SUPPLIES AT DGP PANELS.
 - FIRE ALARM CONTRACTOR SHALL PROVIDE ONE CONTROL RELAY PER SECURITY SYSTEM CONTROL PANEL TO INITIATE DOOR RELEASE IN THE EVENT OF AN ALARM.
 - PROVIDE REMOTE POWER SUPPLIES FOR SPECIAL DOOR LOCKING OPERATIONS. EXTEND 120 V POWER FROM CONTROL PANEL TO REMOTE POWER SUPPLIES.
 - REFER TO THE SECURITY DOOR HARDWARE AND ACCESS CONTROL MATRIX THIS SHEET FOR ADDITIONAL INFORMATION.

C2 ACCESS CONTROL SYSTEM RISER - A
NO SCALE



- NOTES:**
- FIRE ALARM CONTRACTOR SHALL PROVIDE ONE CONTROL RELAY PER DOOR SECURITY SYSTEM CONTROL PANEL TO INITIATE DELAYED EGRESS IN THE EVENT OF AN ALARM.
 - CARD READERS SHALL BE PROVIDED WITH AND INSTALLED ON BACKBOX BY SAME MANUFACTURER.

F1 PACS TYPICAL DOOR CONDUIT DETAIL - A
NO SCALE

Revision Number	Revisions:	Date:

CONSULTANTS

CONSULTING STRUCTURAL ENGINEERS

ARCHITECT/ENGINEER OF RECORD

A/E:
HARRELL DESIGN GROUP PC
10720 SIKES PLACE, SUITE 100
CHARLOTTE, NC 28277
704-814-1346
POC: LEE HARRELL PE, LEED AP, QCCP
PRESIDENT
HDG PROJECT: 19022

www.harrelldg.com
COPYRIGHT © 2024

Digital Signature not valid without Certificate below seal.

John G. Ross, PE
Digitally signed by John G. Ross, PE
Date: 2024.04.12 11:53:16-0400'

DRAWING TITLE

ELECTRICAL DETAILS

APPROVED

PHASE

CONSTRUCTION DOCUMENTS SUBMISSION

FULLY SPRINKLERED

PROJECT TITLE

RENOVATE SPACE FOR LOGISTICS (B-1)

LOCATION

FAYETTEVILLE VA MEDICAL CENTER

ISSUE DATE

11 APRIL 2024

CHECKED

CSR

DRAWN

CSR

PROJECT NUMBER

564-24-104

BUILDING NUMBER

1

DRAWING NUMBER

EE501-A

Engineering Service

VETERANS HEALTH CARE SYSTEM OF THE OZARKS

VA U.S. Department of Veterans Affairs

4/12/2024 11:23:59 AM
BIM 360://19022 - Fayetteville IDIQ Project No. 564-19-103 Renovation of SPS/19022 - ELECT - R0205.rvt