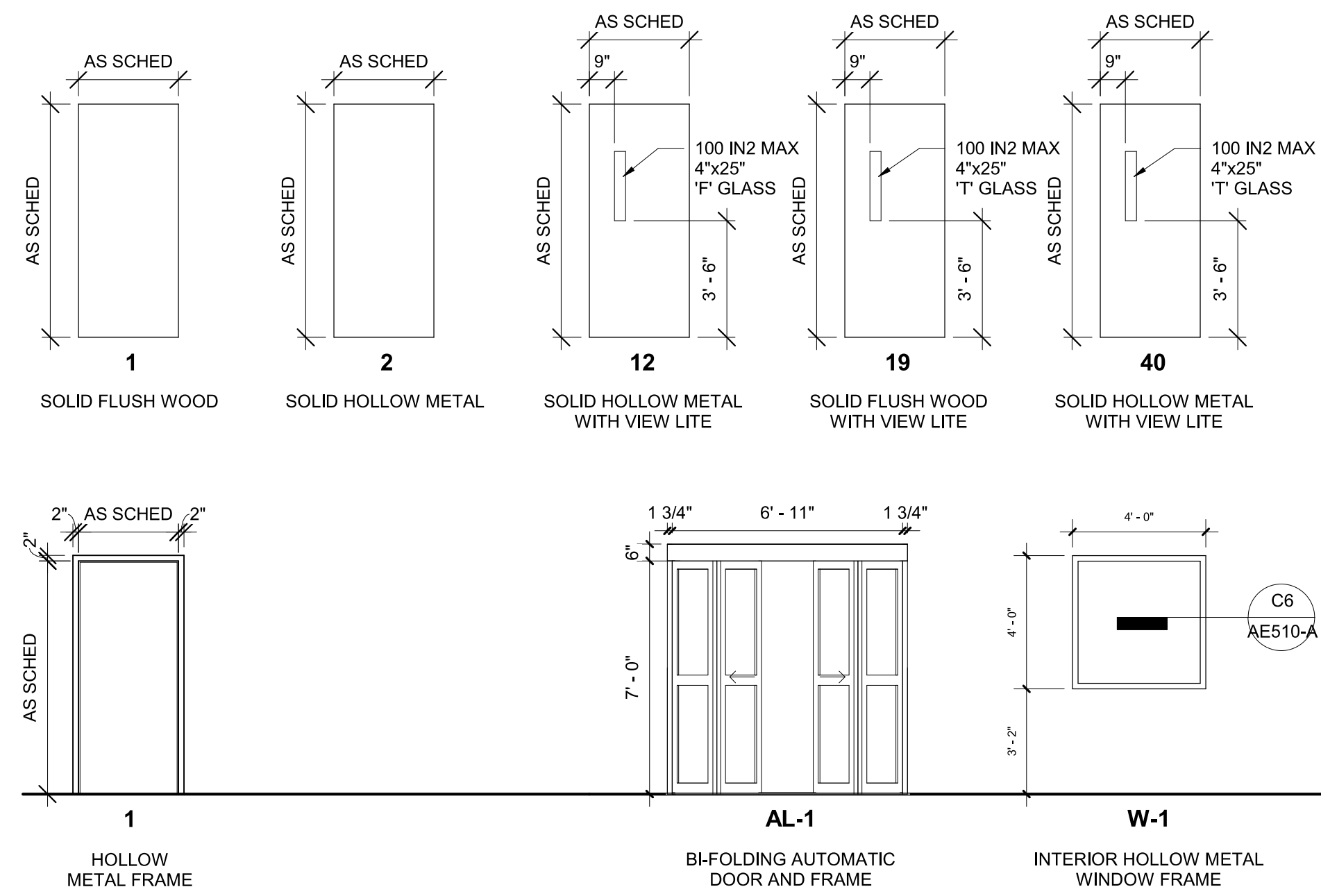


DOOR SIZES

MARK	WIDTH	HEIGHT	MARK	WIDTH	HEIGHT
A	1'-6"	6'-8"	N	2'-10"	7'-0"
B	2'-0"	6'-8"	O	2'-2"	7'-0"
C	2'-2"	6'-8"	P	2'-4"	7'-0"
D	2'-4"	6'-8"	Q	2'-6"	7'-0"
E	2'-6"	6'-8"	R	2'-8"	7'-0"
F	2'-8"	6'-8"	S	3'-0"	7'-0"
G	2'-10"	6'-8"	T	3'-4"	7'-0"
H	3'-0"	6'-8"	U	3'-6"	7'-0"
I	3'-2"	6'-8"	V	3'-8"	7'-0"
J	3'-4"	6'-8"	W	3'-10"	7'-0"
K	3'-8"	6'-8"	X	4'-0"	7'-0"
L	3'-10"	6'-8"	Y	1'-9"	7'-8"
M	3'-8 1/2"	7'-11 3/4"	Z	1'-10"	7'-8"



GENERAL NOTES:

- CONTRACTOR IS RESPONSIBLE FOR COORDINATING DOORS, DOOR FRAMES, AND HARDWARE.
- HARDWARE SUPPLIER IS RESPONSIBLE FOR BUILDING CODE AND FIRE RATED DOOR REQUIREMENTS.
- ALL FIRE RATED DOORS SHALL HAVE APPLIED U.L. LABEL ON HINGE SIDE. IF DOOR IS RATED, THEN FRAME ALSO REQUIRES MATCHING U.L. LABEL.
- FRAME SIZES TO BE COORDINATED WITH PARTITION WIDTHS ON THE JOB SITE BY CONTRACTOR.
- GLASS SHALL BE PERMANENTLY MARKED TO INDICATE THAT IT IS TEMPERED.
- AFTER INSTALLATION OF EACH HOLLOW METAL DOOR FRAME, MARK THE ROOM NUMBER ON THE INTERIOR AND EXTERIOR OF THE FRAME WITH INK THAT WILL NOT BE VISIBLE AFTER THE SPECIFIED FINISHING IS COMPLETED.
- WOOD VENEER AND CLEAR FINISH.
- STANDARD DOOR UNDERCUT TO BE 1/2" (3/4" MAXIMUM) FROM FINISHED SURFACE OF HIGHEST ADJACENT FLOOR / THRESHOLD.

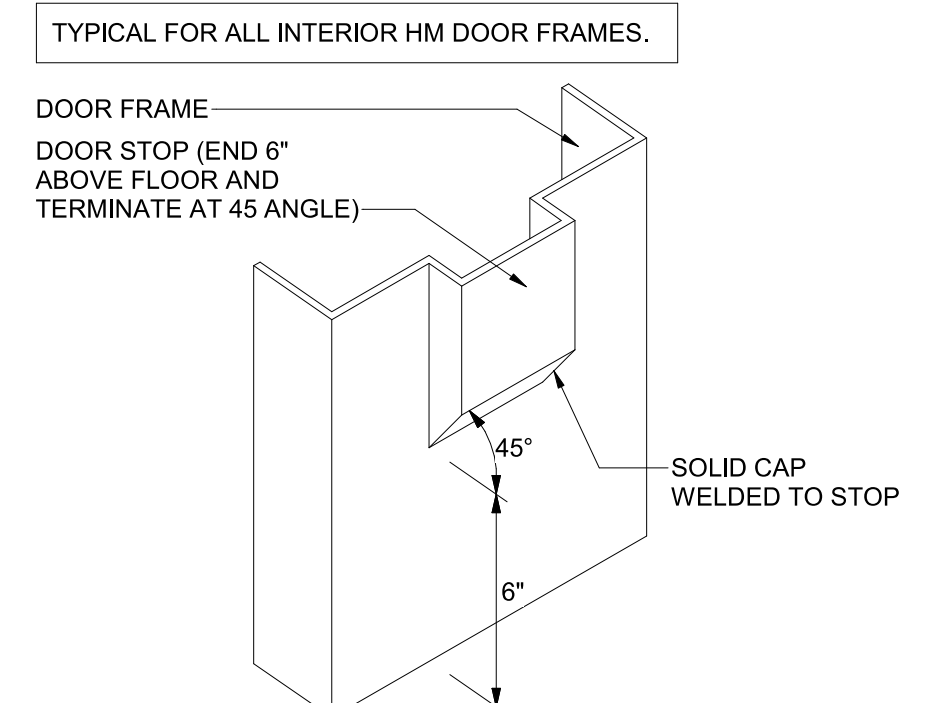
DOOR NOTES:

- ALL DOORS SHALL BE FLUSH - 1 3/4" THICK UNLESS NOTED OTHERWISE.
- ALL WOOD DOORS ARE SOLID CORE WOOD.
- BASIS OF DESIGN SOLID WOOD BARN DOOR AND ALUMINUM FRAME IS BY: AD SYSTEMS HIGH PERFORMANCE DOORS, OFFICE SLIDE.
- SLIDING DOOR - SINGLE SLIDE LEFT HAND WITH RECESSED ACCESS CONTROL SURFACE APPLIED (NARROW STYLE, CLEAN-ROOM CERTIFIED, TOUCHLESS HAND-WAVE SENSOR EACH SIDE) EMERGENCY BREAKOUT NOMINAL WIDTH = 45". MOTORIZED DOOR OPERATOR, BASIS OF DESIGN: STANLEY DURA-GLIDE 2000 SERIES WITH BEA SENSORS INC., MS11, STAINLESS STEEL (SINGLE GANG), MICROWAVE RADAR TECHNOLOGY TOUCHLESS HAND-WAVE ACTIVATION SENSOR EACH SIDE.

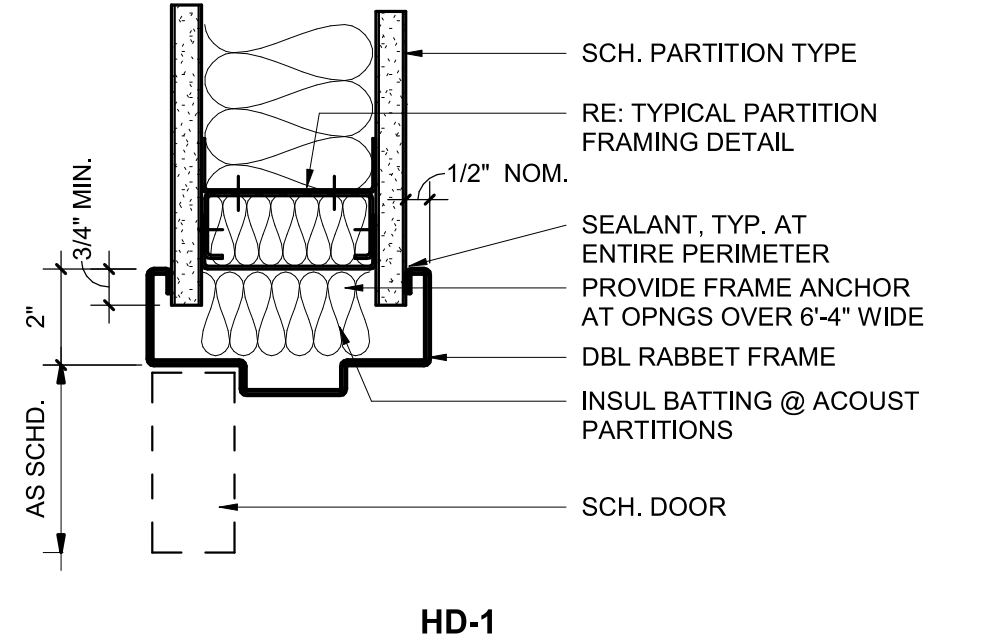
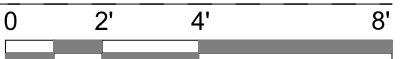
DOOR MODIFICATIONS (APPLICATION CODES)

- A LAMINATED GLAZING
- ADO AUTOMATIC DOOR OPERATOR
- CR CARD READER
- D DOUBLE GLAZED TEMPERED GLASS
- DA PIVOT HINGE AND EMERGENCY DOOR STOP
- DG: GLAZING (DOOR)
- DS: SECURITY (DOOR)
- F' GLASS FIRE RATED GLAZING
- H ELECTRIC HOLD
- L LOUVER
- LP LIGHT PROOF LOUVER
- M MECHANICAL SEAL FOR LIGHT PROOF AND SOUND RETARDING DOOR
- T TEMPERED GLASS
- U UNDERCUT 3/4"
- V LEAD GLASS
- W WIRE GLASS
- SD SLIDING DOOR (SEE PLAN FOR CLEAR OPENING)
- SL SLOPED TOP AND 3" LATCH SIDE GAP
- VP VISION PANEL

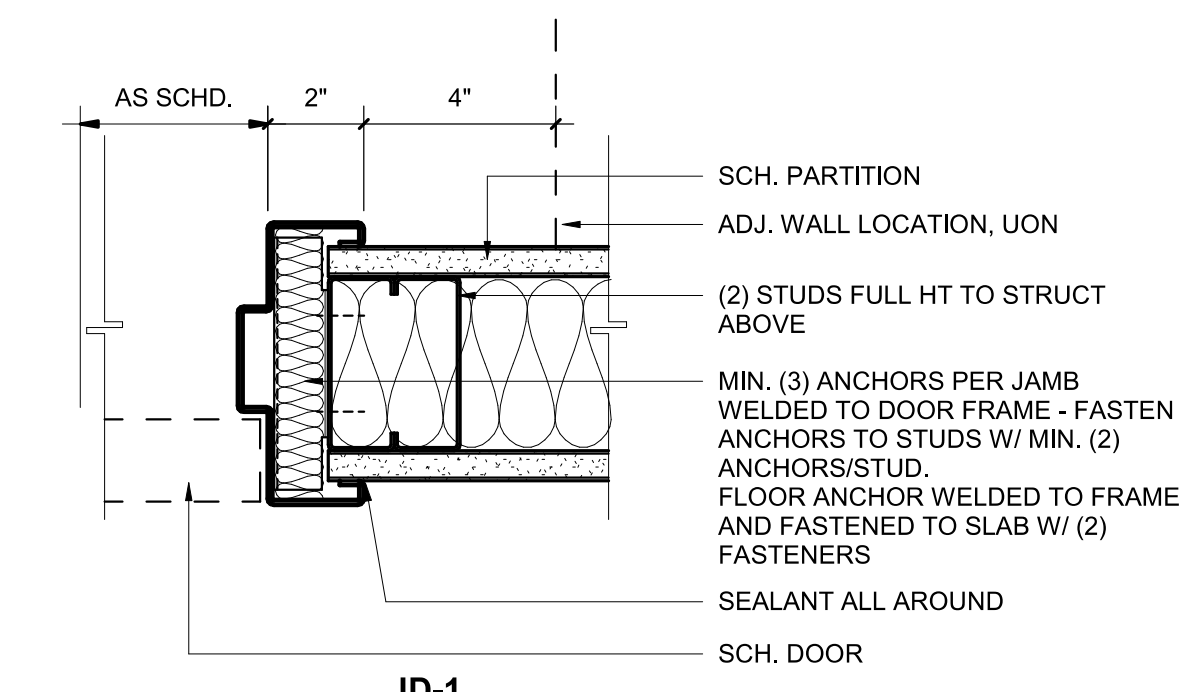
B3 DOOR AND FRAME TYPES
1/4" = 1'-0"



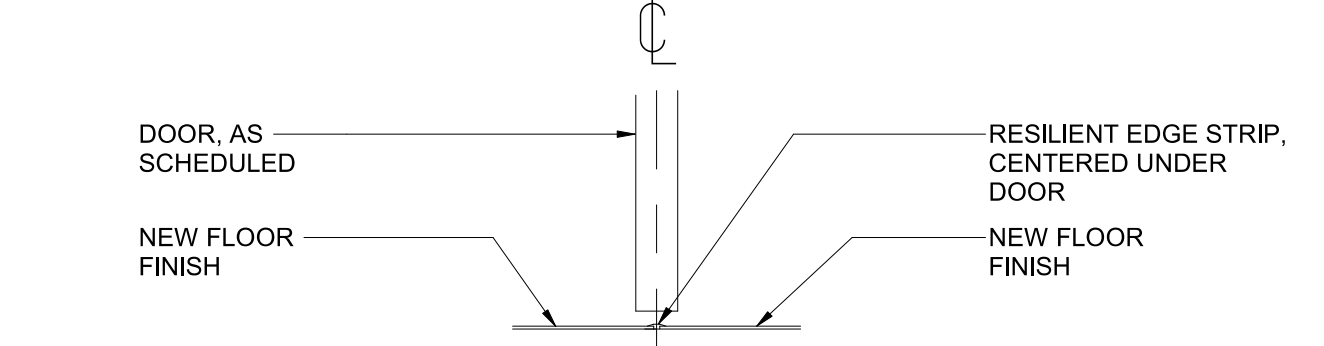
C1
1/2" = 1'-0"



C7 HM HEAD DETAILS
3" = 1'-0"



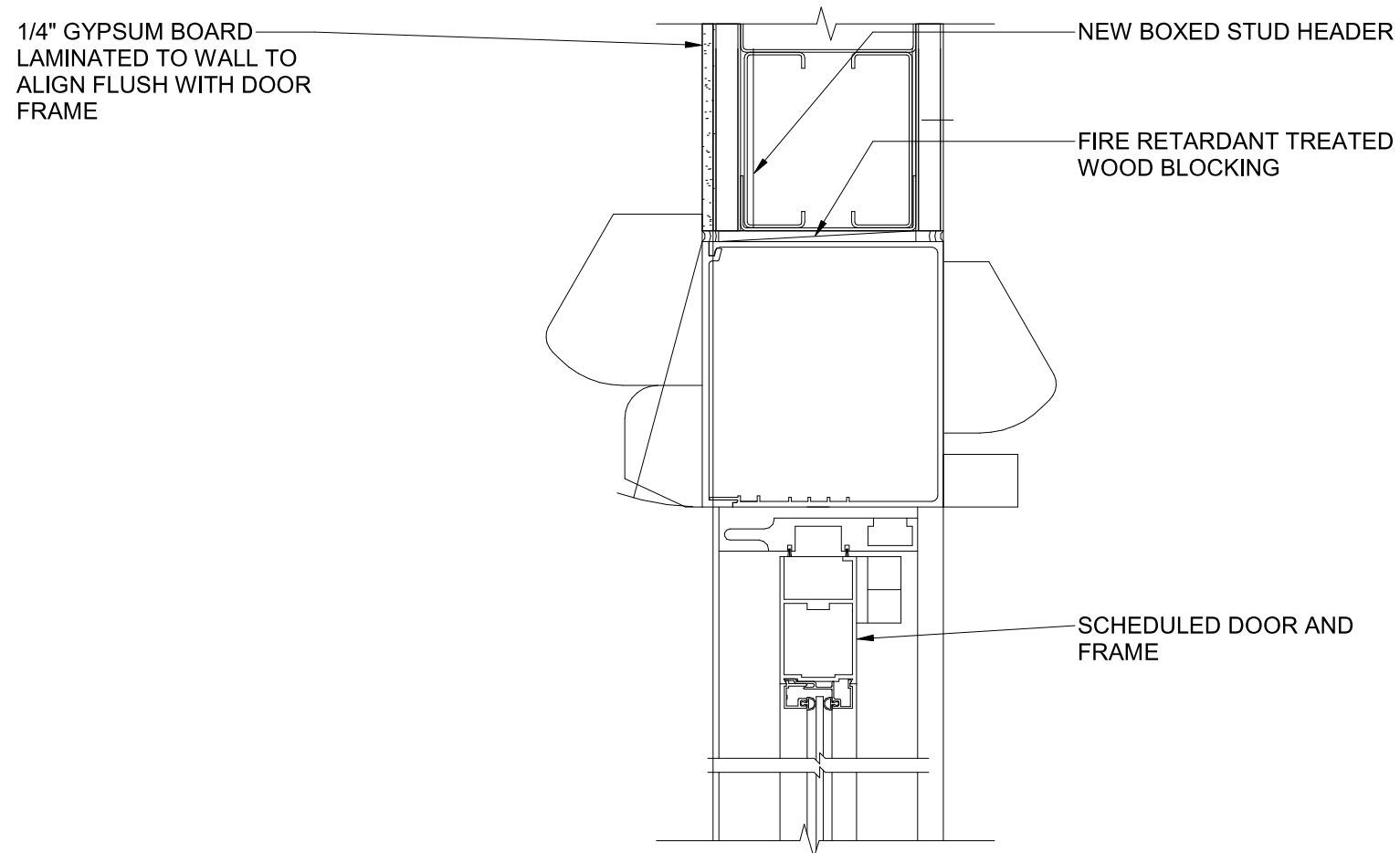
E7 HM JAMB DETAILS
3" = 1'-0"



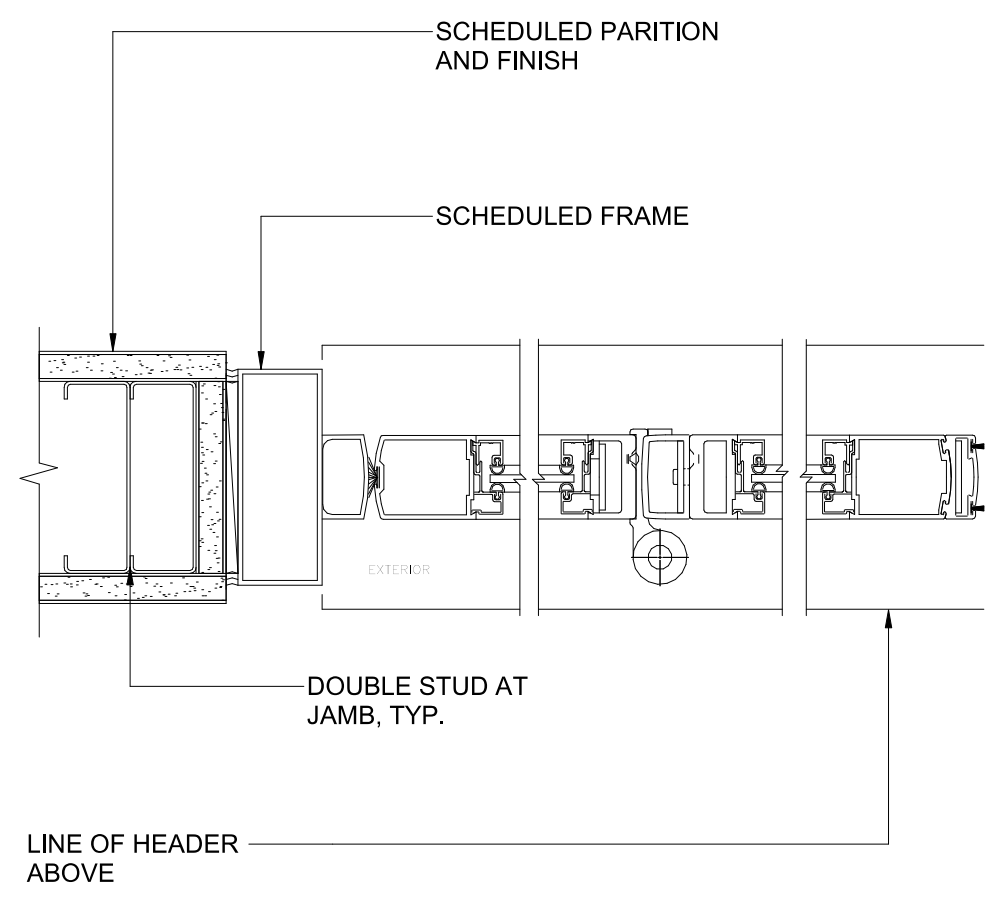
F7
1 1/2" = 1'-0"

DOOR SCHEDULE

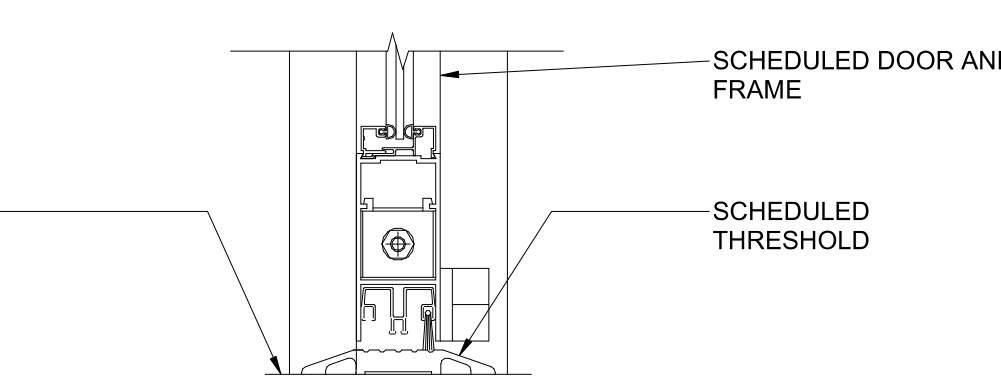
DOOR NUMBER	ROOM NAME	SIZE	DOOR		FRAME		RATING	HW	HEAD DETAIL	JAMB DETAIL	SILL DETAIL	REMARKS
			TYPE	MAT'L	TYPE	MAT'L						
100	IT	EXISTING	1	WD	1	HM		SH-3D	E6/AE600	---	F6/AE600	REFINISH DOOR & FRAME
102	ELECTRICAL	EXISTING	---	---	---	---						REFINISH DOOR & FRAME
102A	BREAK DOWN	7'-2" x 7'-0"	AL-1	AL	AL-1	AL	45 MIN.	BY MFR	C8/AE600-A	E8/AE600-A	F8/AE600-A	dg:F' GLASS, T, da:ADO, CARD READER
102B	BREAK DOWN	6'-0" x 7'-0"	AL-1	AL	AL-1	AL		BY MFR	C8/AE600-A	E8/AE600-A	F8/AE600-A	dg:T, da:ADO, CARD READER
104	STORAGE	S	2	HM	1	HM		10B	C7/AE600-A	E7/AE600-A	F7/AE600-A	
105	SUPPLY OFFICE	EXISTING	---	---	---	---						REFINISH DOOR & FRAME
106	IT	S	1	WD	1	HM	45 MIN.	SH-3D	C7/AE600-A	E7/AE600-A	F7/AE600-A	CARD READER
107	COPY ROOM	S	19	WD	1	HM		3G	C7/AE600-A	E7/AE600-A	F7/AE600-A	
108A	STERILE STORAGE	SS	40	HM	1	HM	45 MIN.	5B	C7/AE600-A	E7/AE600-A	F7/AE600-A	dg:F' GLASS, T, da:ADO, CARD READER
108B	STERILE STORAGE	SS	40	HM	1	HM	45 MIN.	5B	C7/AE600-A	E7/AE600-A	F7/AE600-A	dg:F' GLASS, T, da:ADO, CARD READER
110	TOILET	S	1	WD	1	HM		2	C7/AE600-A	E7/AE600-A	F7/AE600-A	
111	TOILET	S	1	WD	1	HM		2	C7/AE600-A	E7/AE600-A	F7/AE600-A	
112	STERILE STORAGE, OVERFLOW	SS	40	HM	1	HM	45 MIN.	5B	C7/AE600-A	E7/AE600-A	F7/AE600-A	dg:F' GLASS, T, da:ADO, CARD READER
112A	STERILE STORAGE, OVERFLOW	SS	40	HM	1	HM	45 MIN.	5B	C7/AE600-A	E7/AE600-A	F7/AE600-A	dg:F' GLASS, T, da:ADO, CARD READER
113	HAC	S	1	WD	1	HM		5D	C7/AE600-A	E7/AE600-A	F7/AE600-A	
115	SUPPLY TECH OFFICE	S	19	WD	1	HM		3G	C7/AE600-A	E7/AE600-A	F7/AE600-A	
115A	SUPPLY TECH SUPERVISOR	S	19	WD	1	HM		3G	C7/AE600-A	E7/AE600-A	F7/AE600-A	
116	EMS PRIMARY	S	19	WD	1	HM		3G	C7/AE600-A	E7/AE600-A	F7/AE600-A	



C8
3" = 1'-0"



E8
3" = 1'-0"



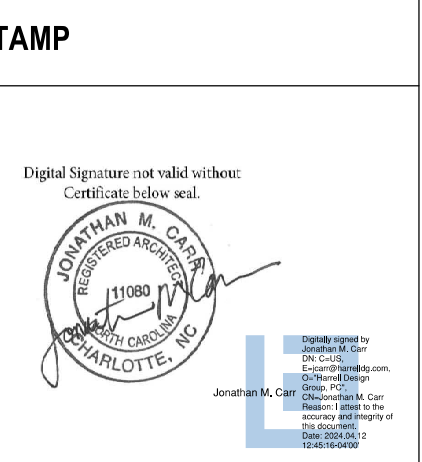
F8
3" = 1'-0"

4/12/2024 11:19:21 AM
BIM 360/19022 - Fayetteville IDIQ Project No. 864-19-003 Renovation of SPS/19022 - ARCH - R2020.rvt

Revision Number	Revisions:	Date:

CONSULTANTS
CONSULTING STRUCTURAL ENGINEERS

ARCHITECT/ENGINEER OF RECORD
A/E:
HARRELL DESIGN GROUP PC
10720 SIKES PLACE, SUITE 100
CHARLOTTE, NC 28277
704-814-1346
POC: LEE HARRELL PE, LEED AP, QCCP
PRESIDENT
HDG PROJECT: 19022



DRAWING TITLE
DOOR SCHEDULE AND DOOR DETAILS
APPROVED

PHASE
CONSTRUCTION DOCUMENTS SUBMISSION
FULLY SPRINKLERED

PROJECT TITLE
RENOVATE SPACE FOR LOGISTICS (B-1)
LOCATION
FAYETTEVILLE VA MEDICAL CENTER
ISSUE DATE
11 APRIL 2024

PROJECT NUMBER
564-24-104
BUILDING NUMBER
1
DRAWING NUMBER
AE600-A

