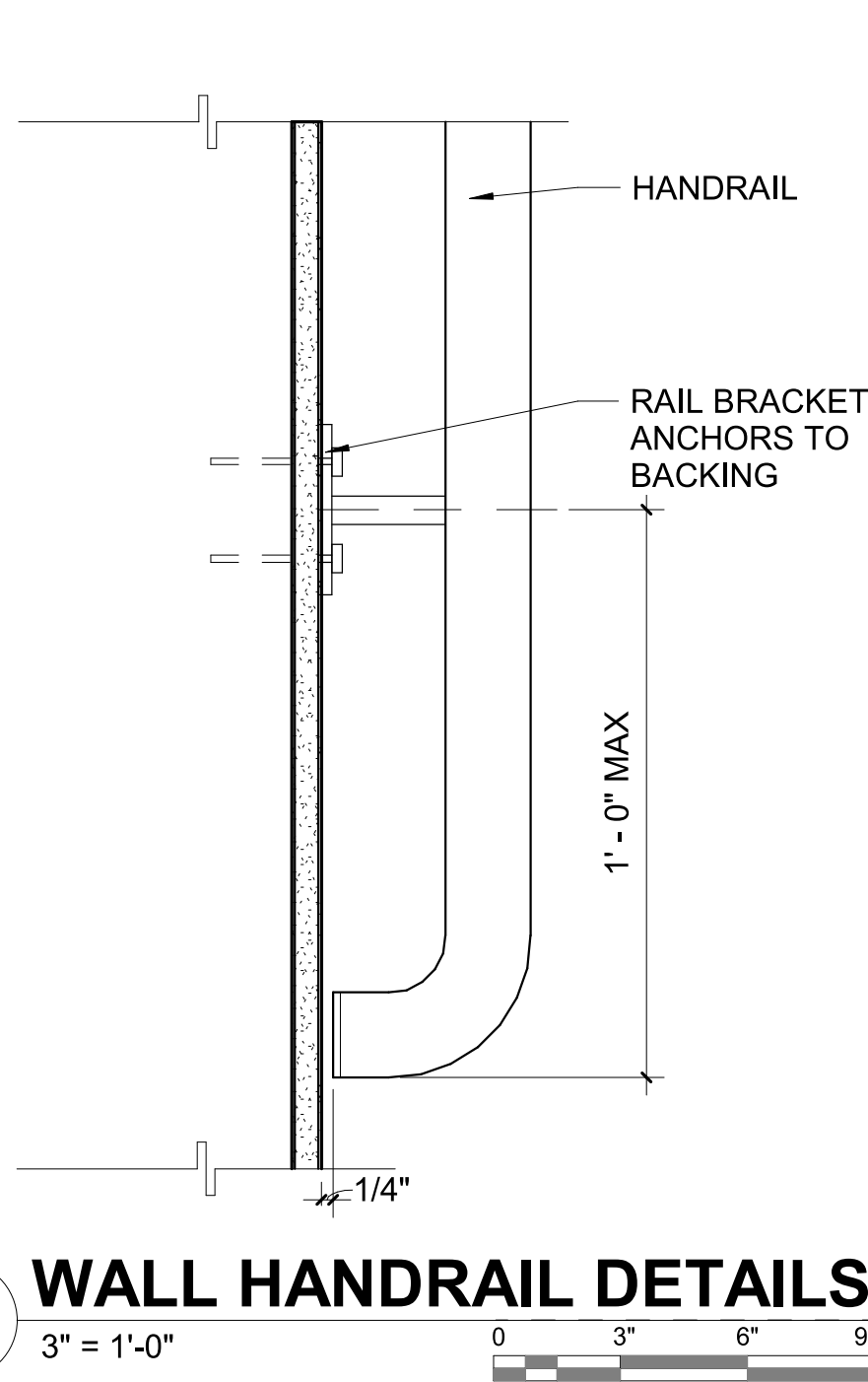
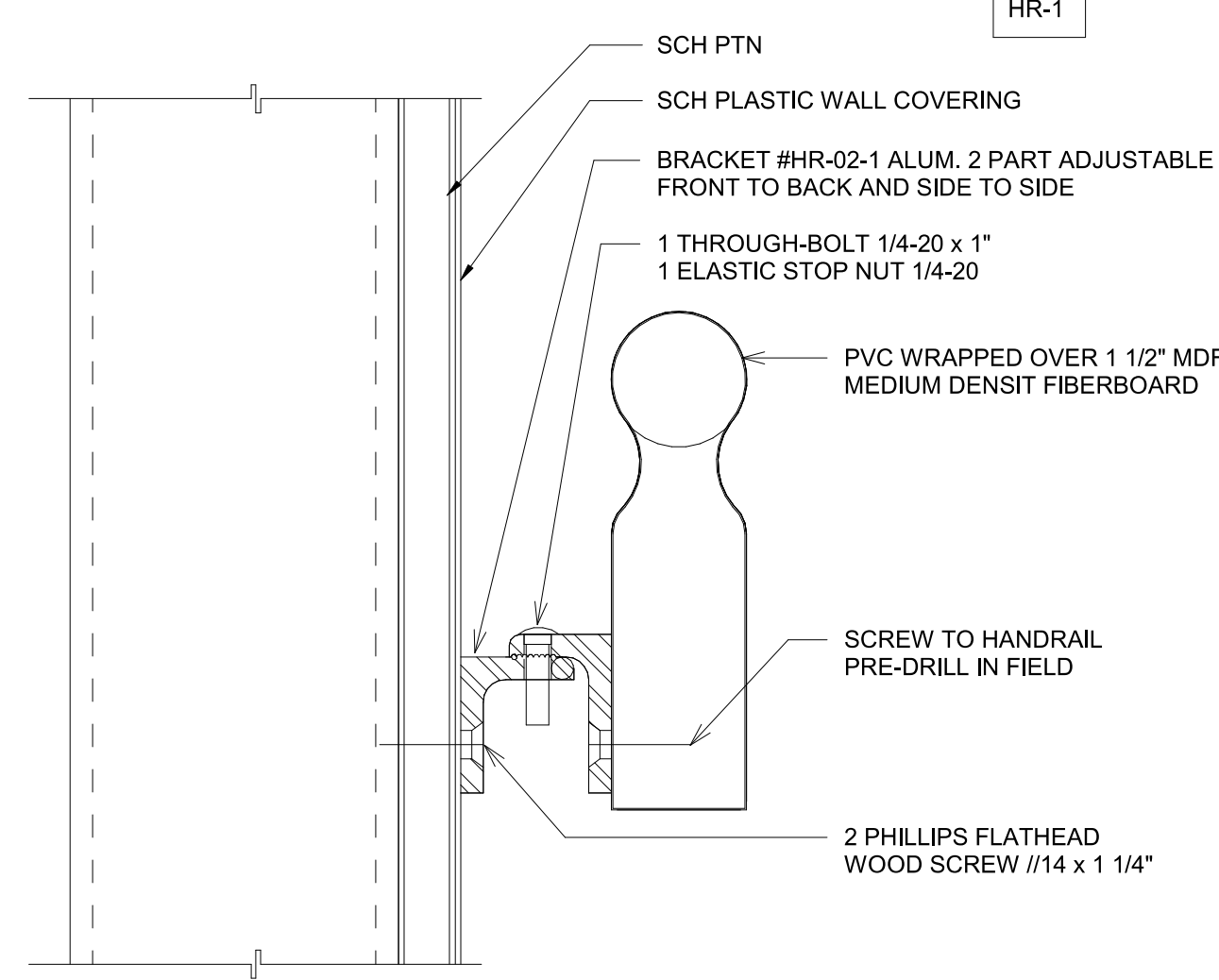


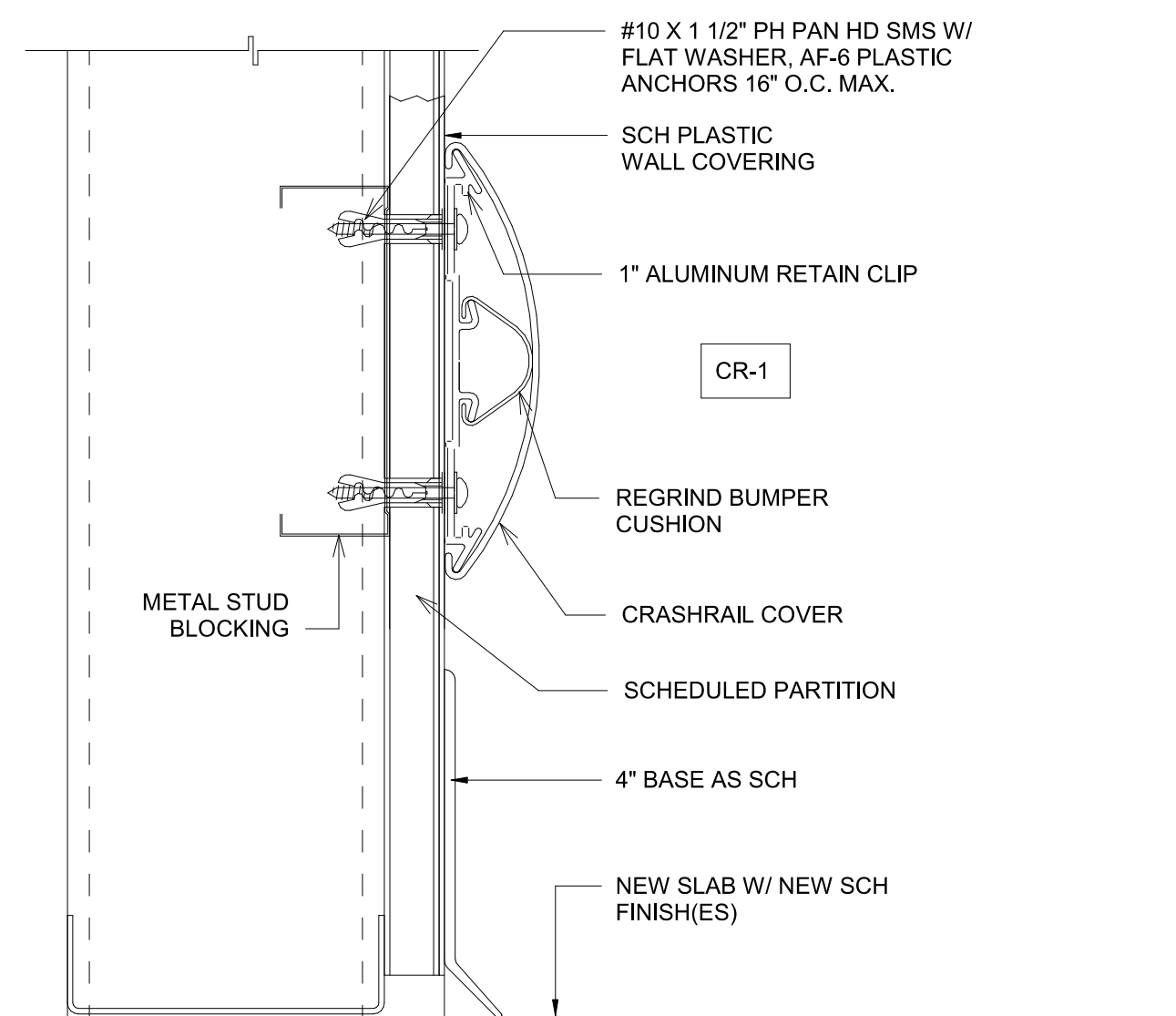
A1
1 1/2" = 1'-0"



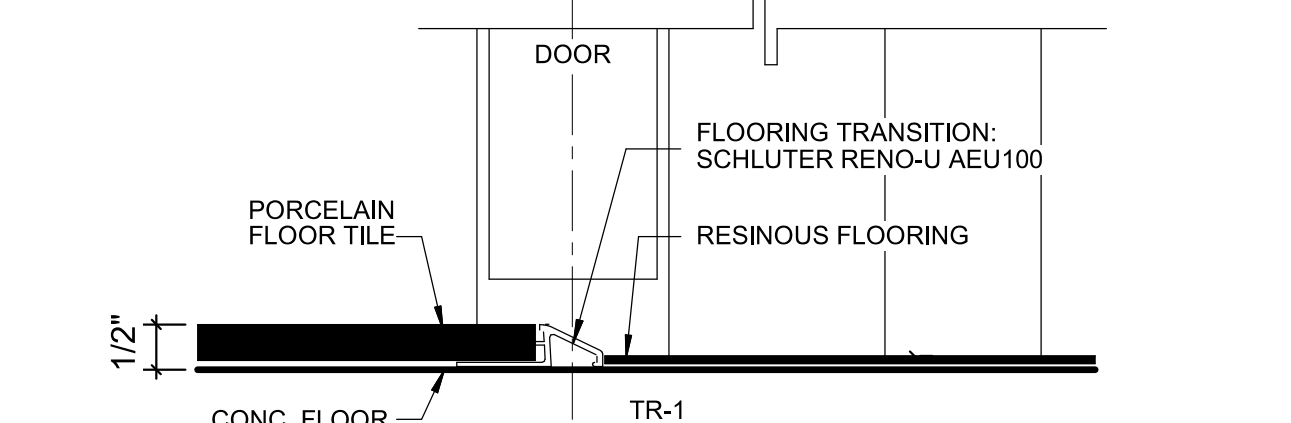
B2
3" = 1'-0"



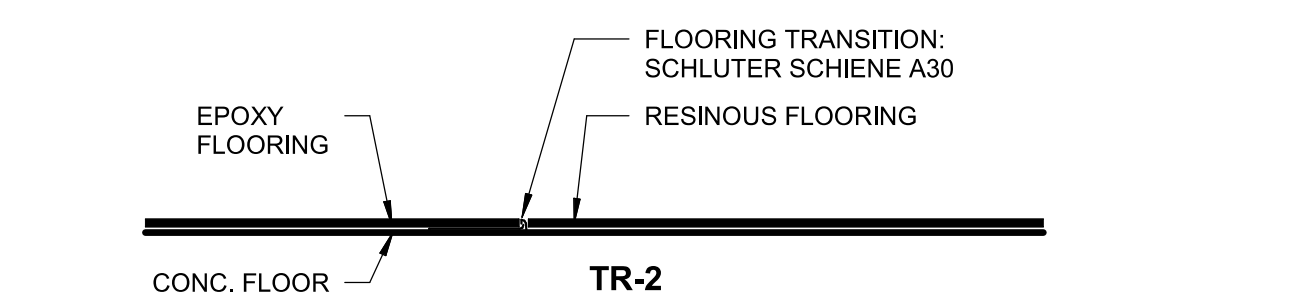
B4
6" = 1'-0"



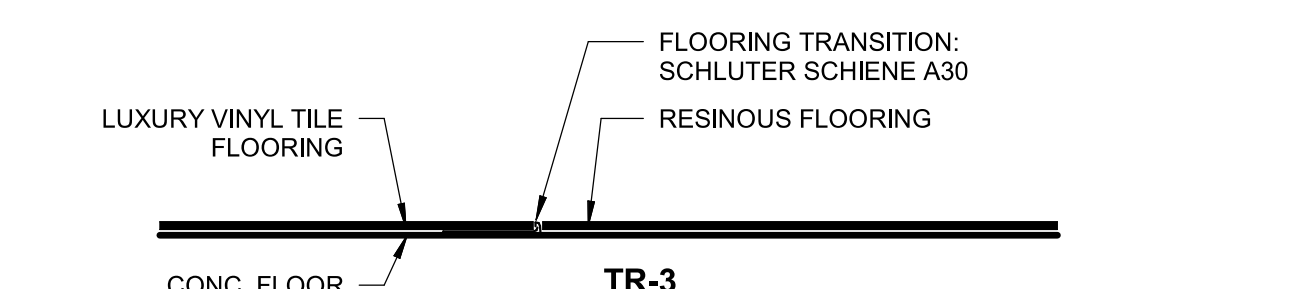
C4
6" = 1'-0"



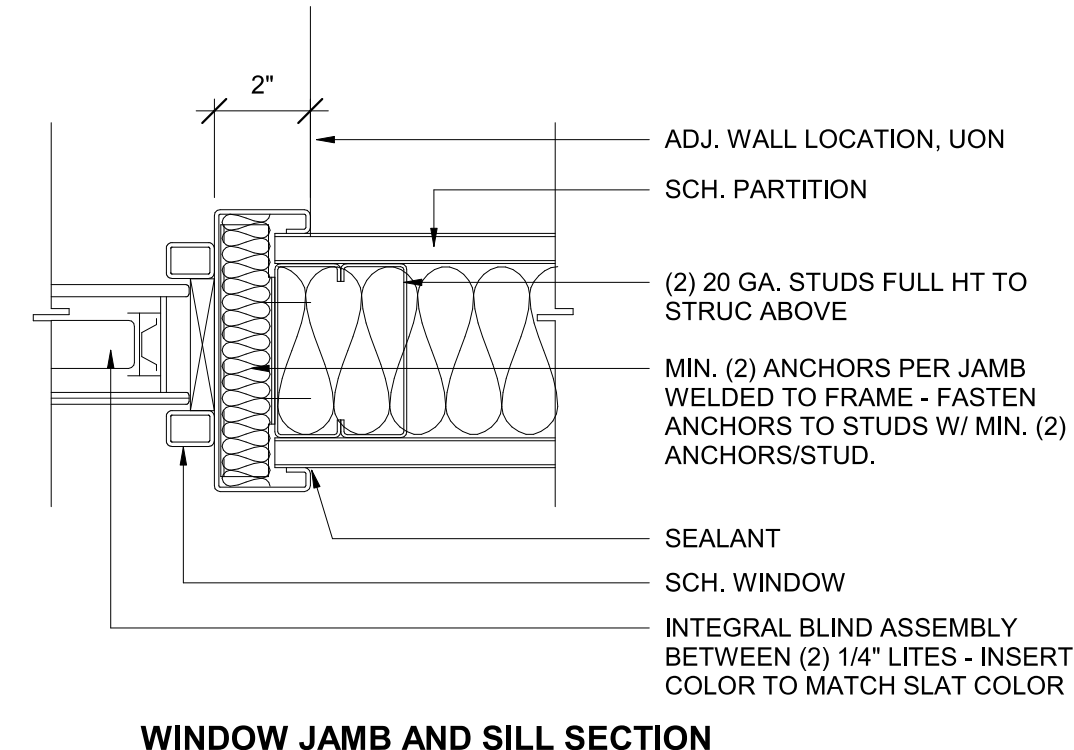
D4
6" = 1'-0"



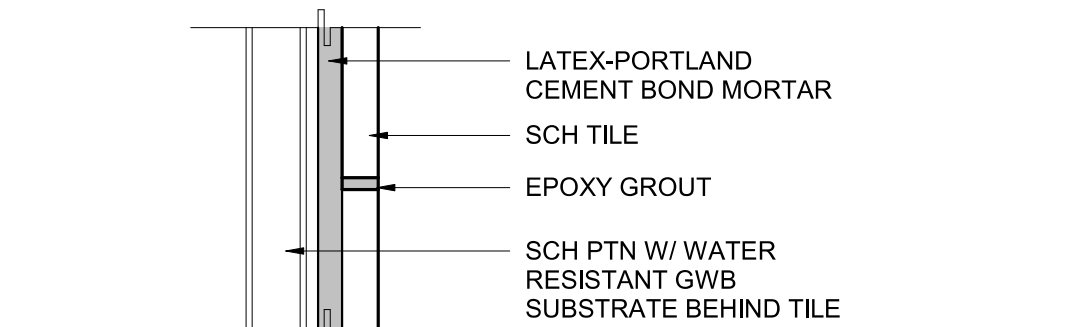
E4
6" = 1'-0"



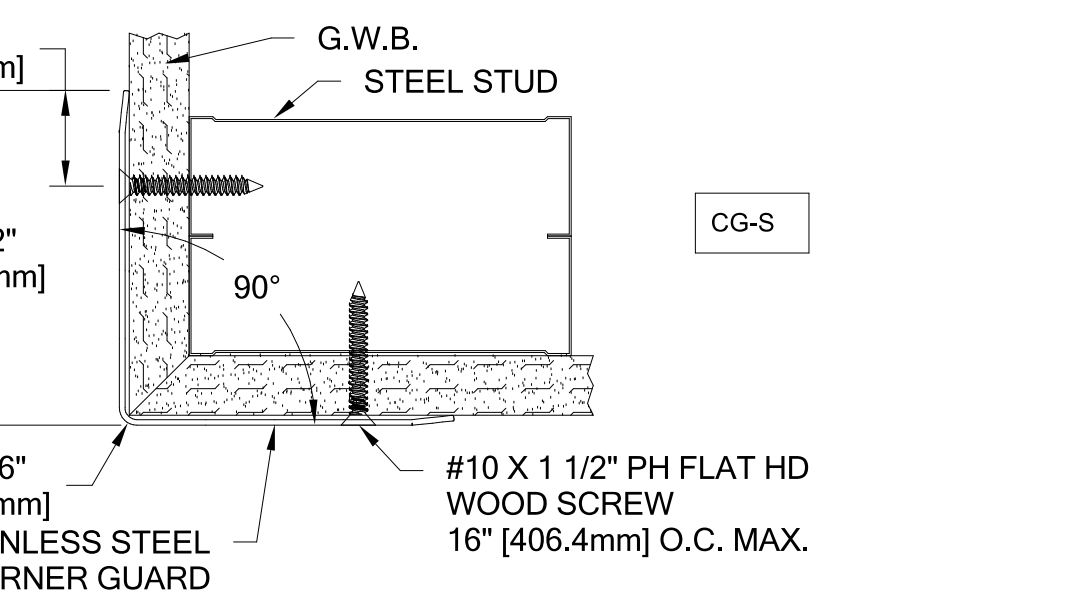
F4
6" = 1'-0"



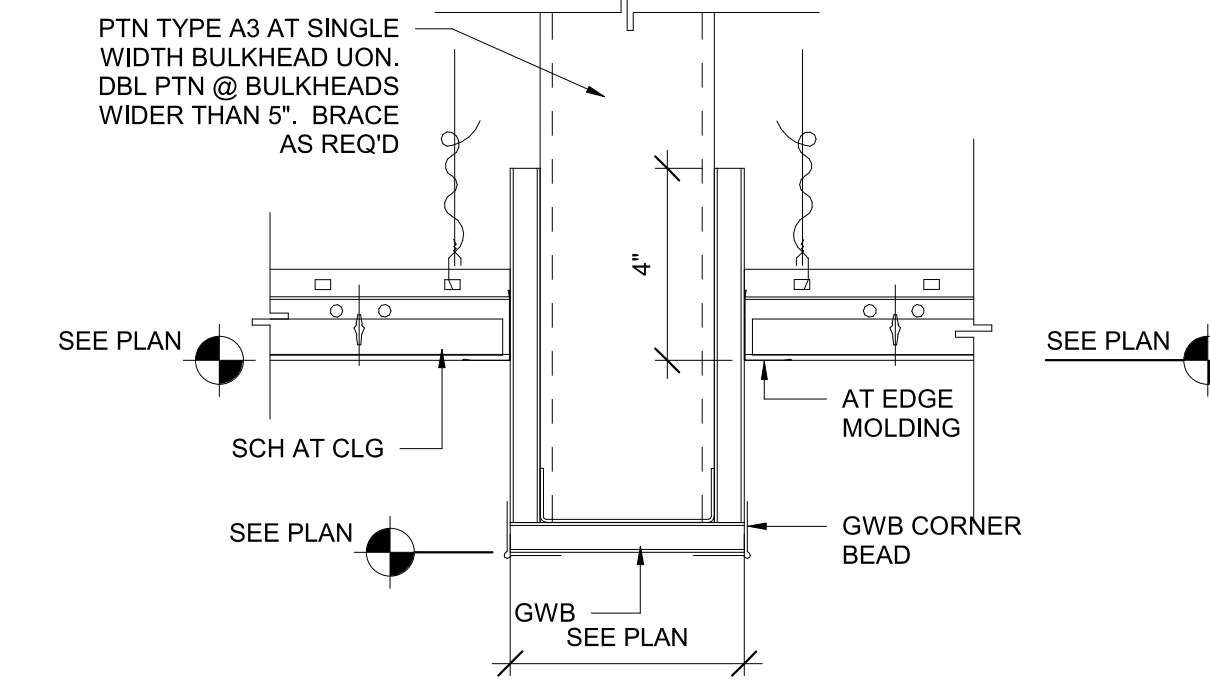
C6
3" = 1'-0"



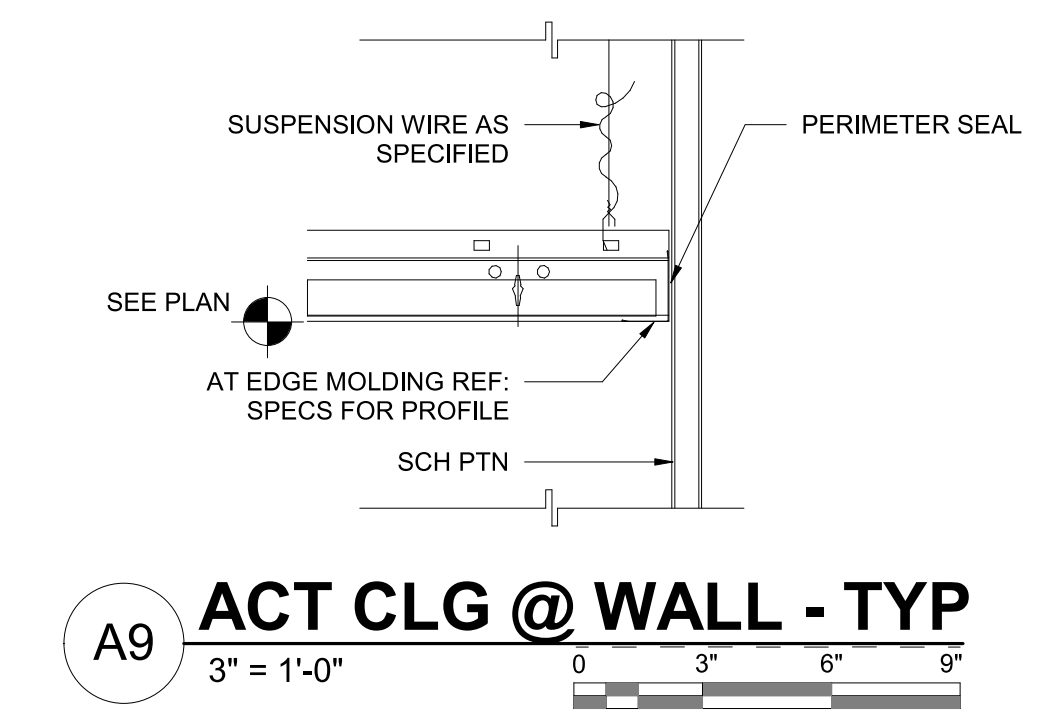
D6
6" = 1'-0"



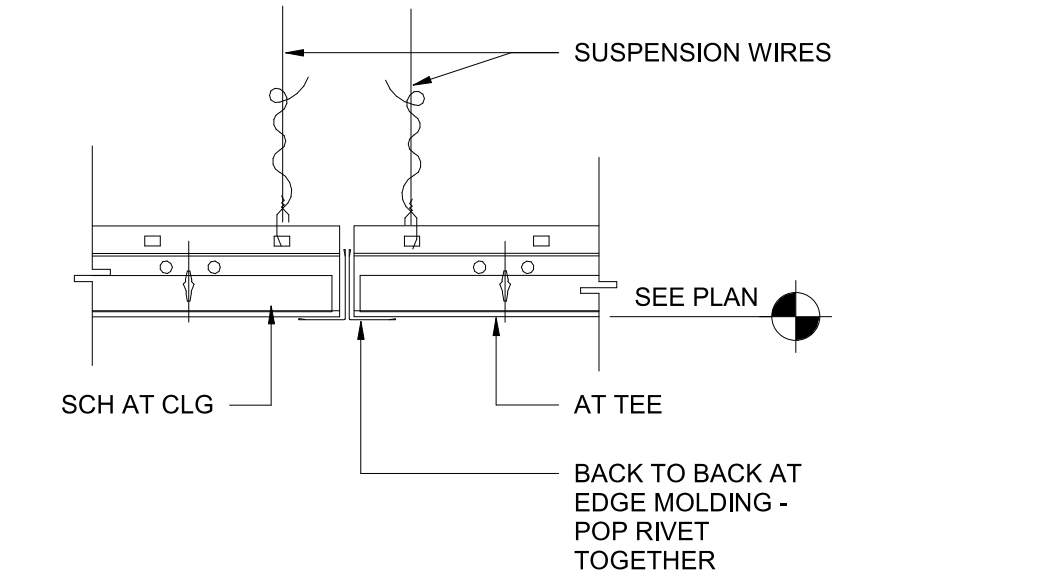
F6
6" = 1'-0"



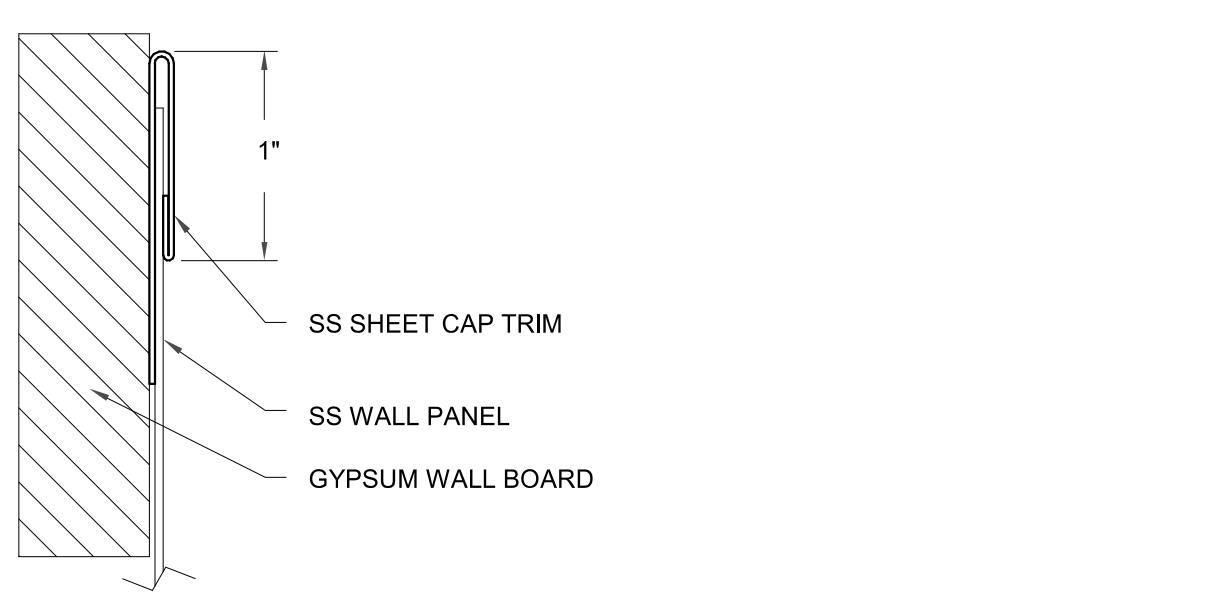
C8
3" = 1'-0"



A9
3" = 1'-0"



D9
3" = 1'-0"



F7
12" = 1'-0"

4/12/2024 12:17:59 PM
BIM 360://19022 - Fayetteville IDIC Project No. 664-19-003 Renovation of SPS/19022 - ARCH - R2020.rvt

Revision Number	Revisions:	Date:

CONSULTANTS	
CONSULTING STRUCTURAL ENGINEERS	

ARCHITECT/ENGINEER OF RECORD	
A/E: HARRELL DESIGN GROUP PC 10720 SIKES PLACE, SUITE 100 CHARLOTTE, NC 28277 704-814-1346 POC: LEE HARRELL PE, LEED AP, QCCP PRESIDENT HDG PROJECT: 19022	
 HARRELL DESIGN GROUP PC WWW.HARRELLDG.COM COPYRIGHT © 2024	

STAMP

DRAWING TITLE	INTERIOR DETAILS
APPROVED	

PHASE	CONSTRUCTION DOCUMENTS SUBMISSION
FULLY SPRINKLERED	

PROJECT TITLE		
RENOVATE SPACE FOR LOGISTICS (B-1)		
PROJECT NUMBER		
564-24-104		
BUILDING NUMBER		
1		
DRAWING NUMBER		
AE510-A		
LOCATION	FAYETTEVILLE VA MEDICAL CENTER	
ISSUE DATE	CHECKED	DRAWN
11 APRIL 2024	JC	MS

 Engineering Service VETERANS HEALTH CARE SYSTEM OF THE OZARKS VA U.S. Department of Veterans Affairs	
--	--