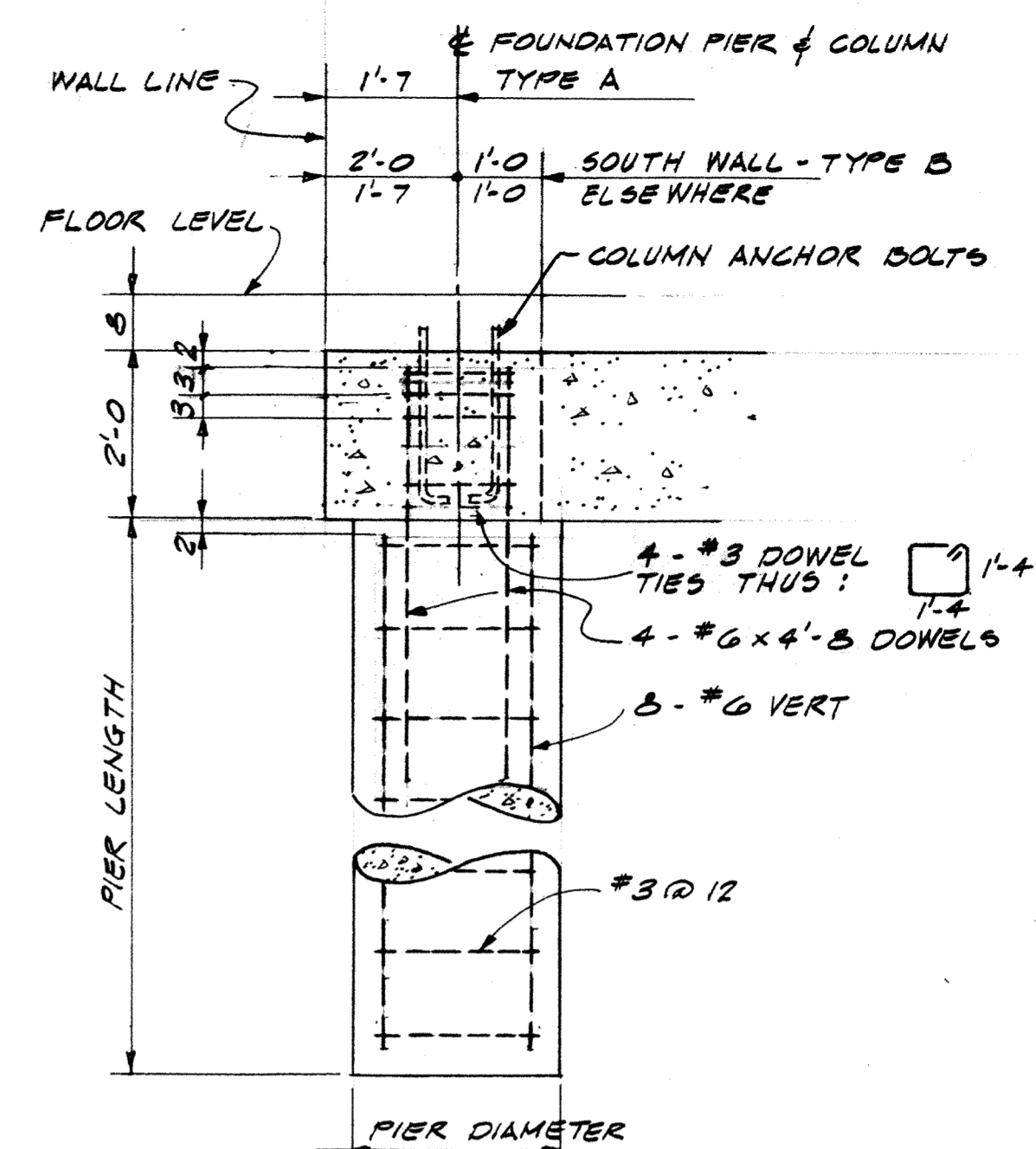
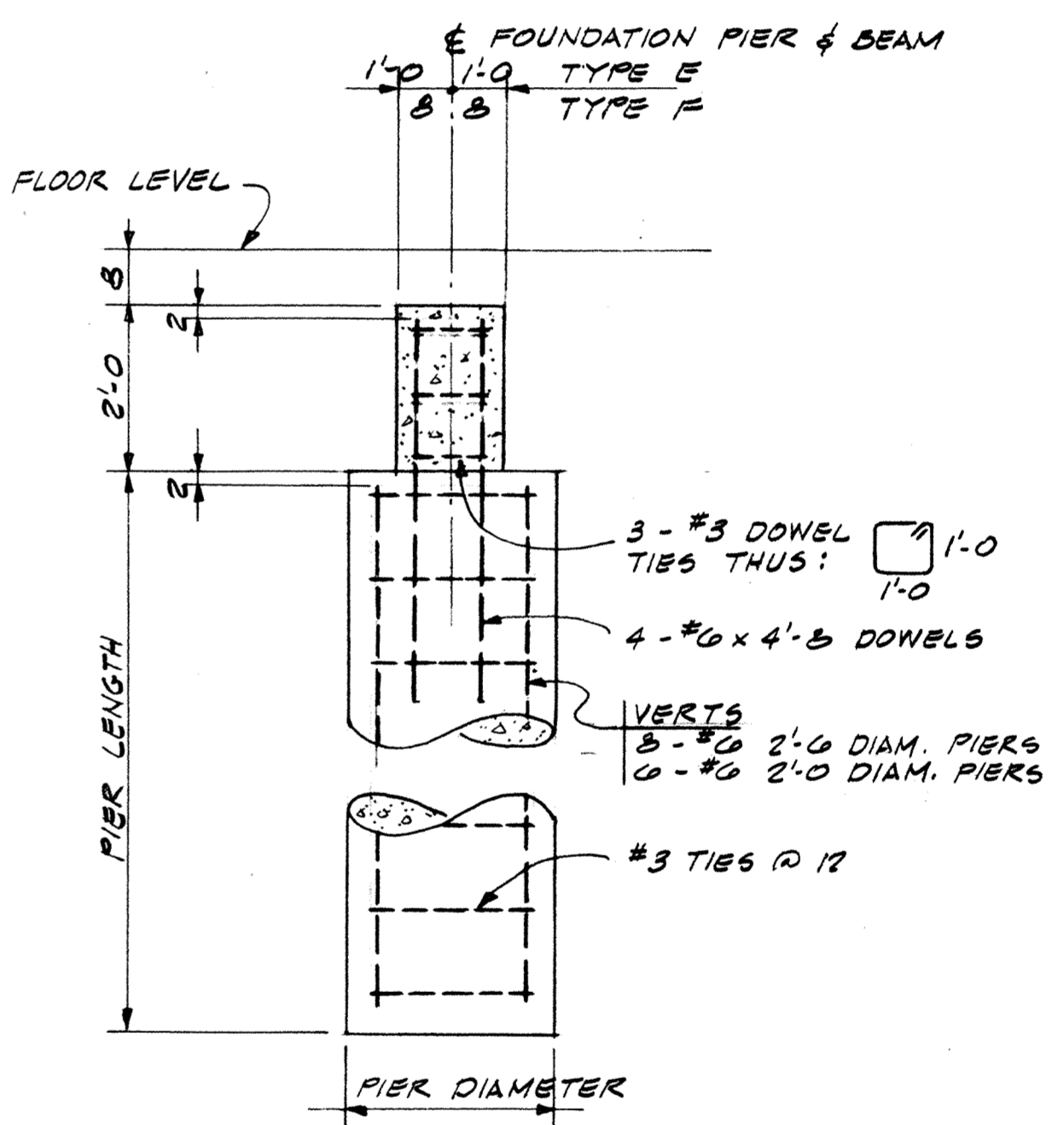


**LAP SPLICE SCHEDULE**

BAR SIZE	LAP LENGTH	
	TOP BARS	OTHERS
#4	2'-2	1'-8
#5	2'-8	2'-2
#6	3'-4	2'-0
#7	3'-10	3'-0
#8	4'-8	3'-0
#9	5'-10	4'-0



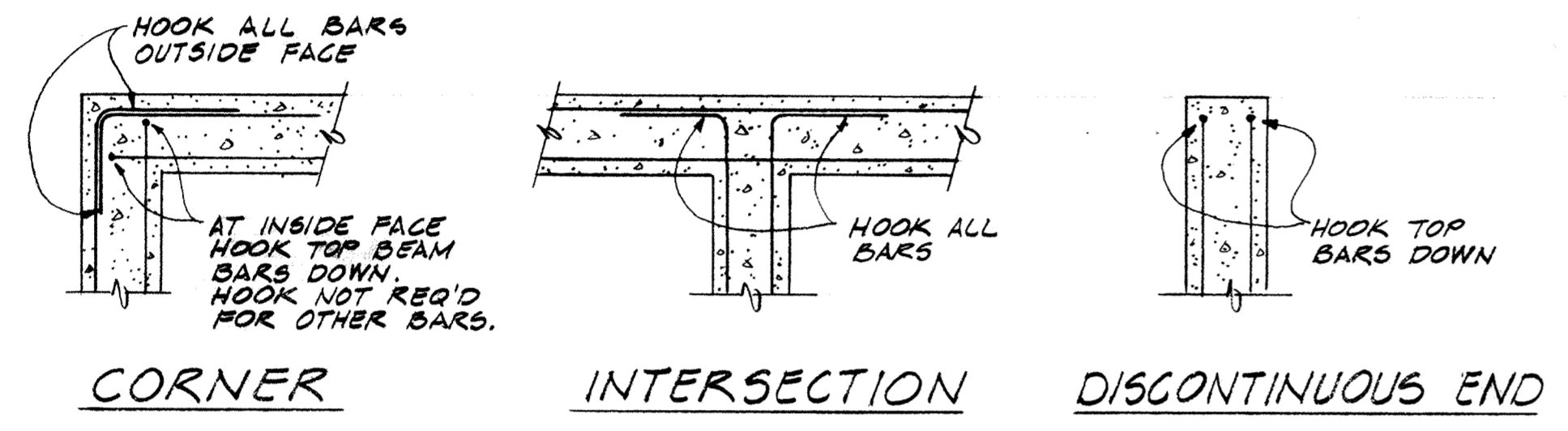
**TYPES A THRU D**



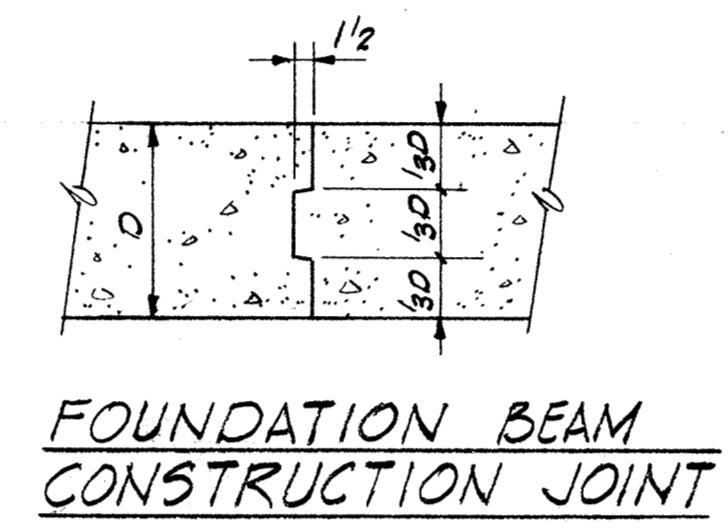
**TYPES E & F**  
**FOUNDATION PIERS**  
1/2" = 1'-0"

**NOTE:** PLACE BOTTOMS OF ALL PIERS IN MED. HARD DARK GRAY SHALE EXCEPT THAT IN ANY CASE MINIMUM PIER LENGTH SHALL BE 3'-0". CONSULT CONTRACTING OFFICER FOR AVAILABLE SUBGRADE DATA.

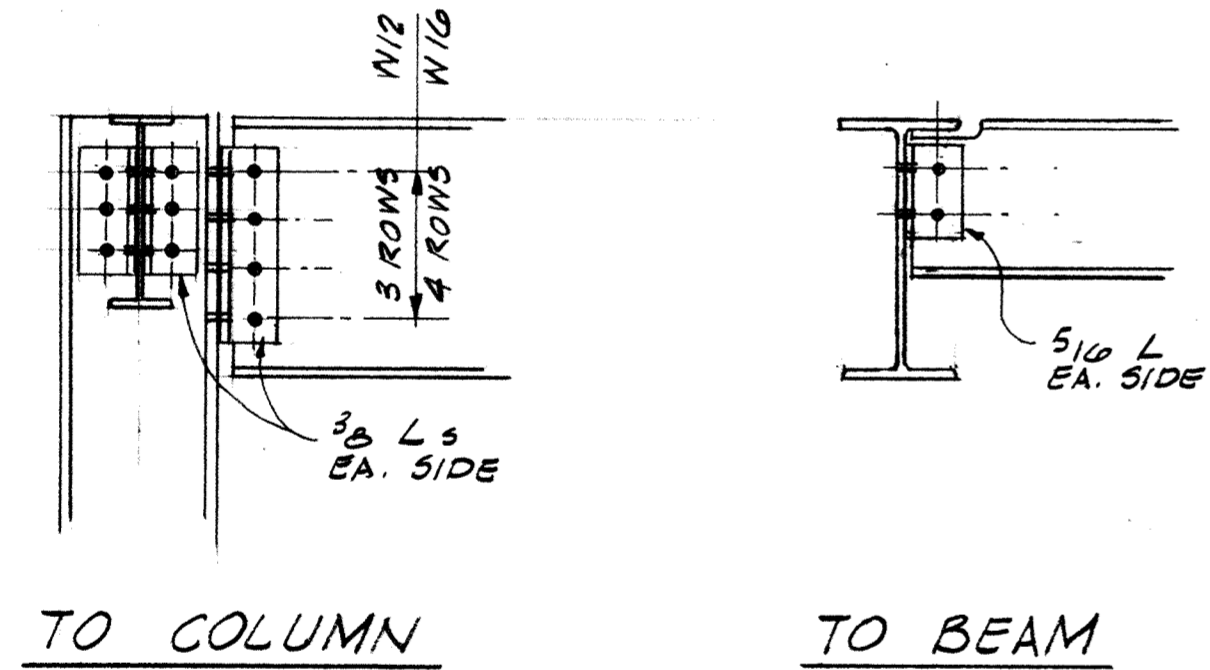
**FOUNDATION BEAMS**  
1/2" = 1'-0"



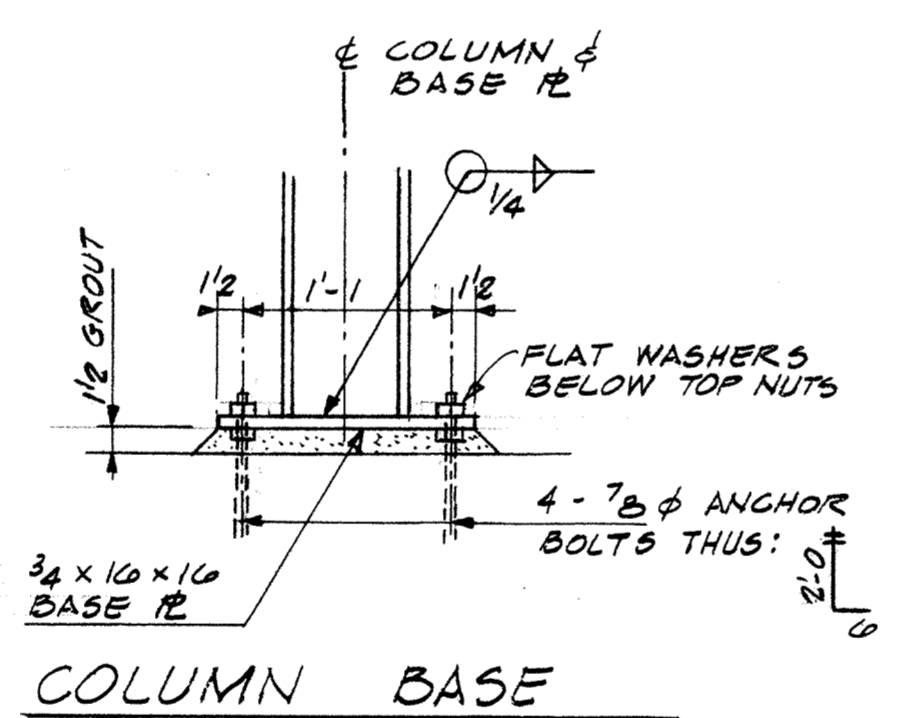
**REINFORCEMENT DETAILS AT ENDS OF BEAMS**  
1/2" = 1'-0"



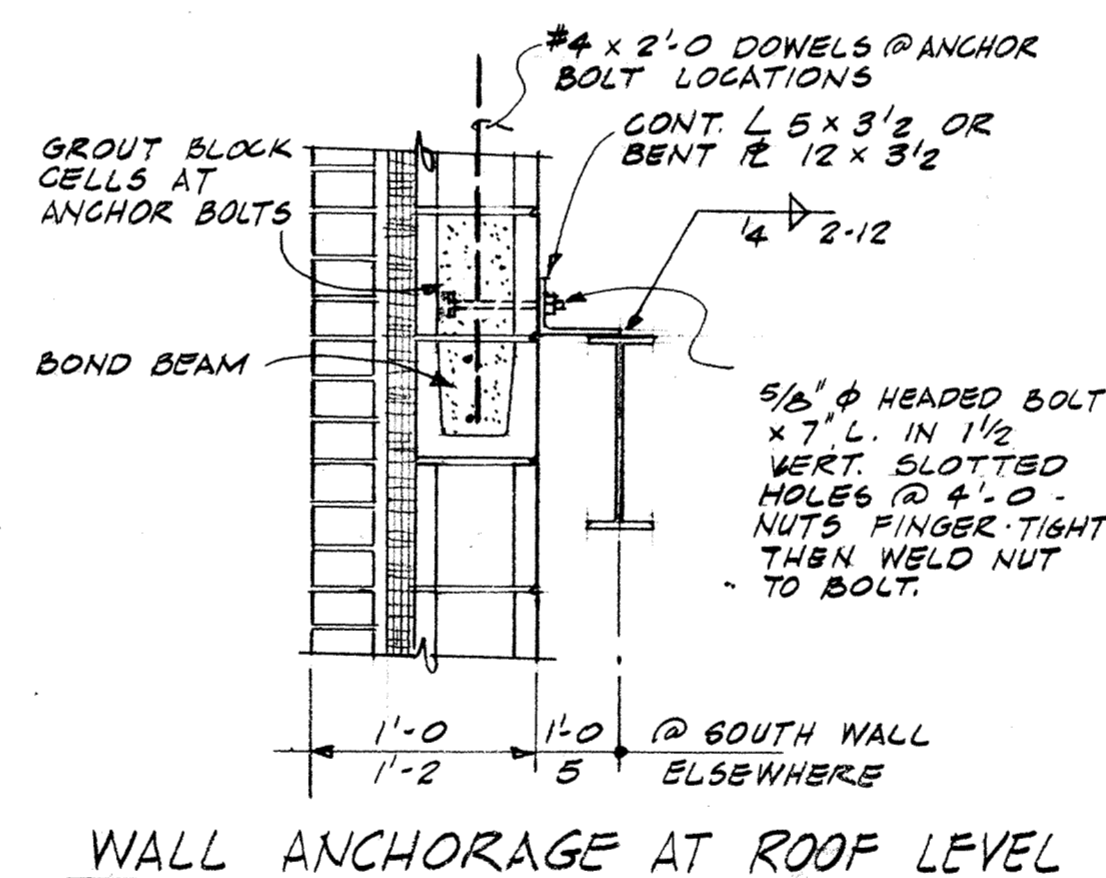
**FOUNDATION BEAM CONSTRUCTION JOINT**



**BEAM CONNECTIONS**  
1" = 1'-0"

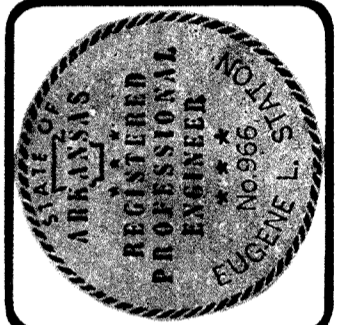
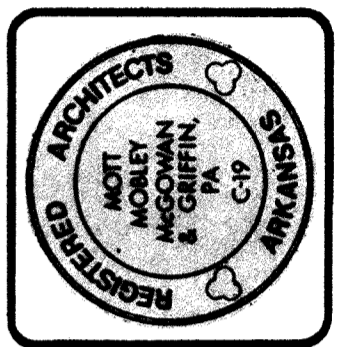


**COLUMN BASE**



**WALL ANCHORAGE AT ROOF LEVEL**

**MM MG**  
Mott Mobley McGowan & Griffin, P.A.: Architects  
Fort Smith, Arkansas 72901  
302 North Sixth Street



CONTRACT NO. DHH403-93-R-0001  
PROJECT NO. HKR2929948  
ADD./ALTER. ECM POD SHOP  
AIR NATIONAL GUARD TRAINING FACILITY  
MUNICIPAL AIRPORT - FT. SMITH, ARKANSAS

FNDN. & PIER  
DETAILS  
& BEAM  
CONNECTIONS

Revisions  
1440  
Plan Number  
7-30-93  
Date  
S2.1  
Of