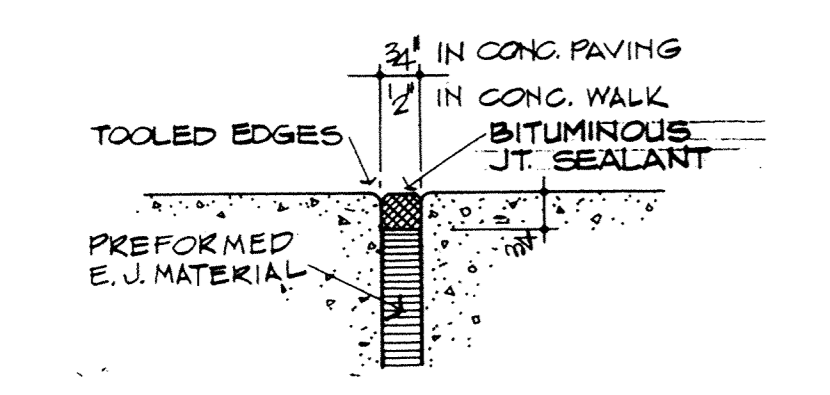
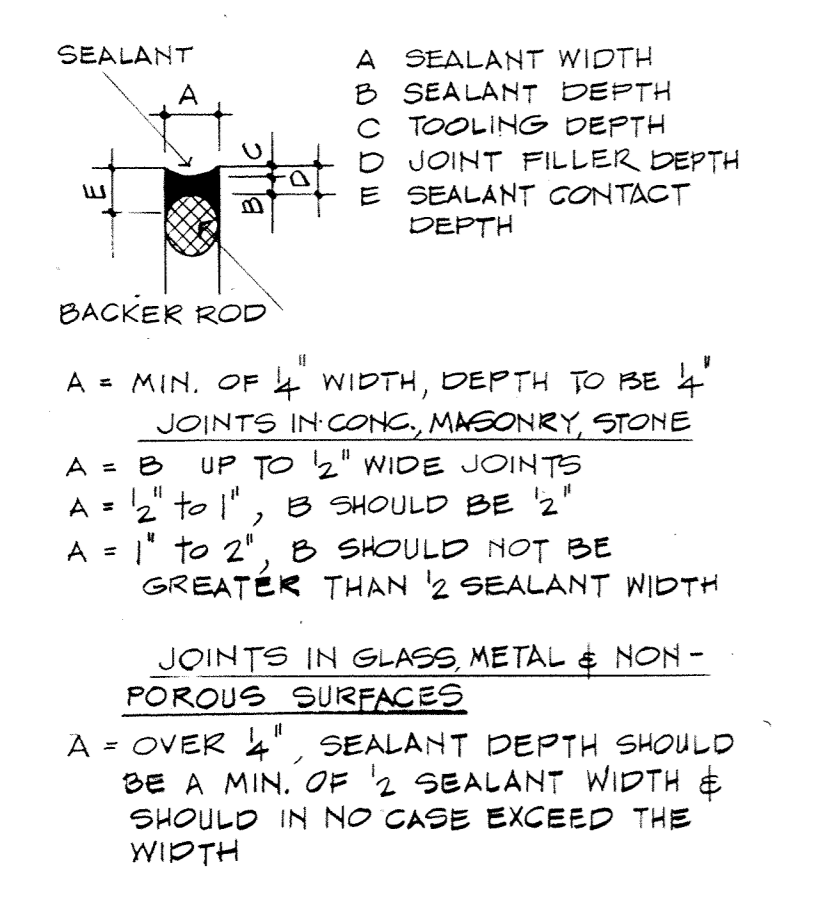


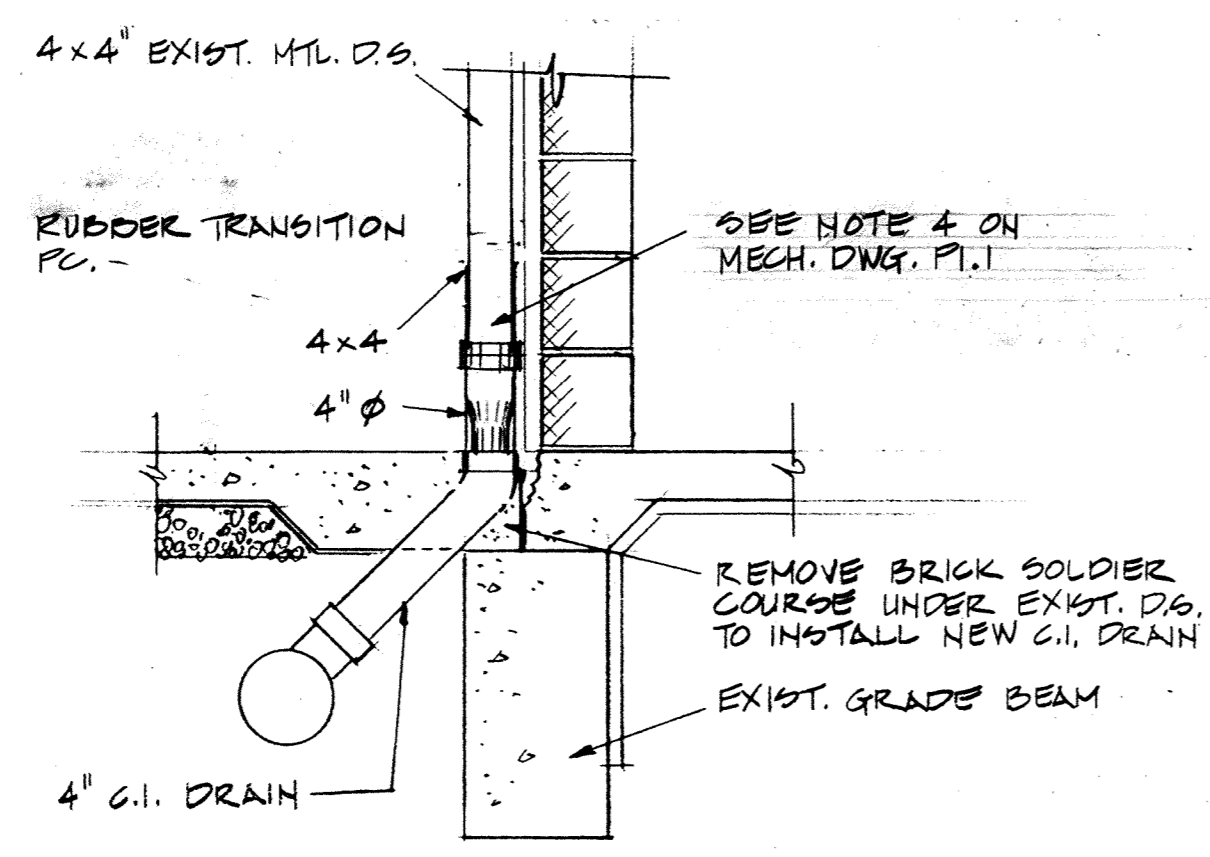
**TYP. SIDEWALK DETAILS** 1  
 3/4" = 1'-0"



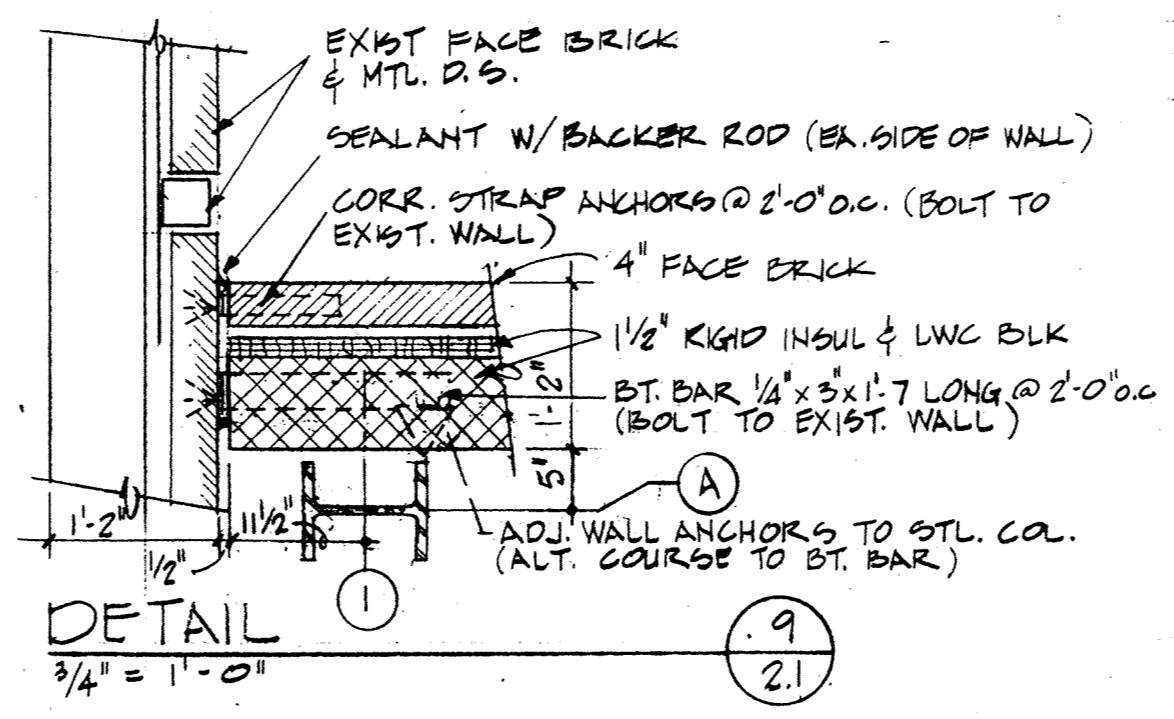
**TYP. EXPANSION JOINT** 2  
 2.1



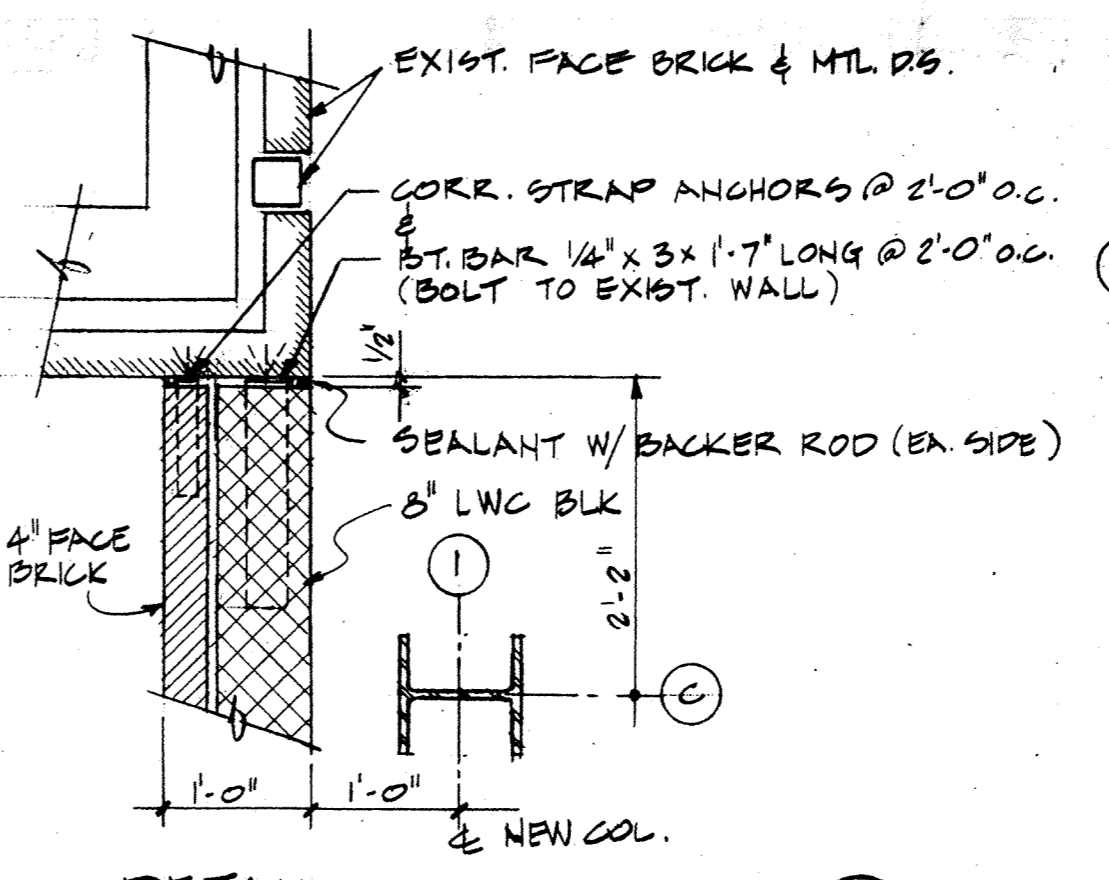
**JOINT SEALANT DETAIL** 3  
 2.1



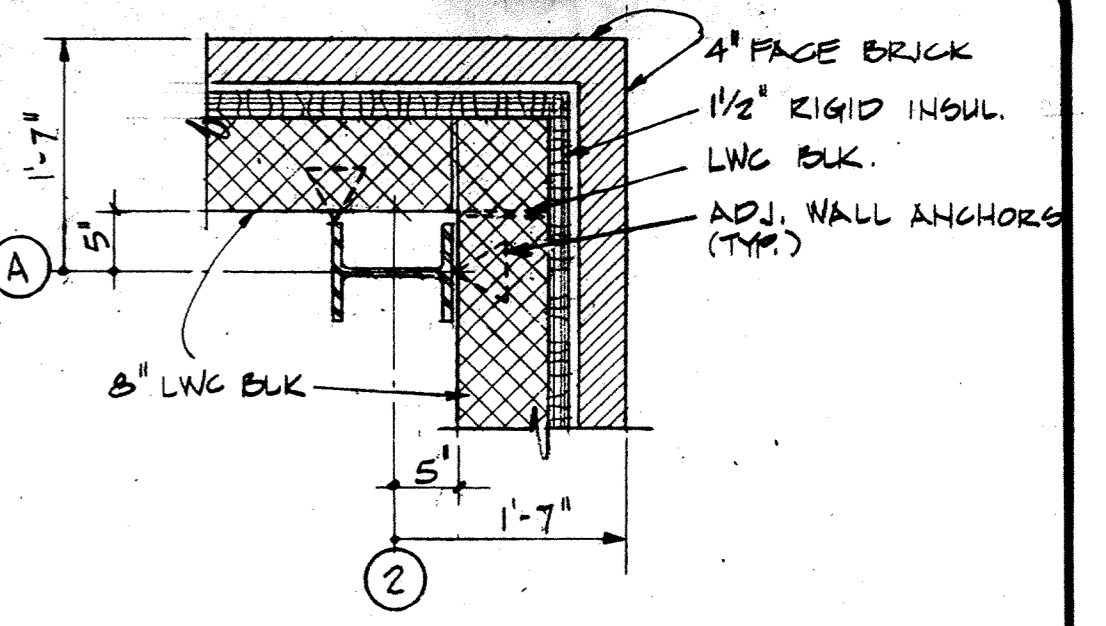
**DETAIL AT EXIST. DOWNSPOUT** 4  
 2.1



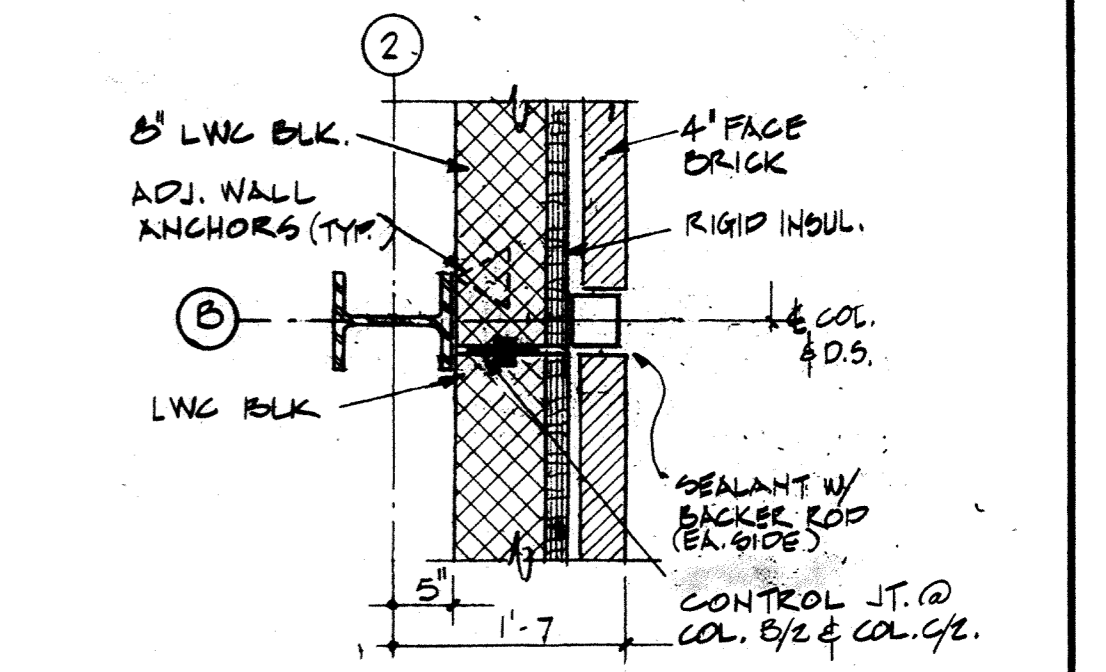
**DETAIL** 1  
 3/4" = 1'-0"



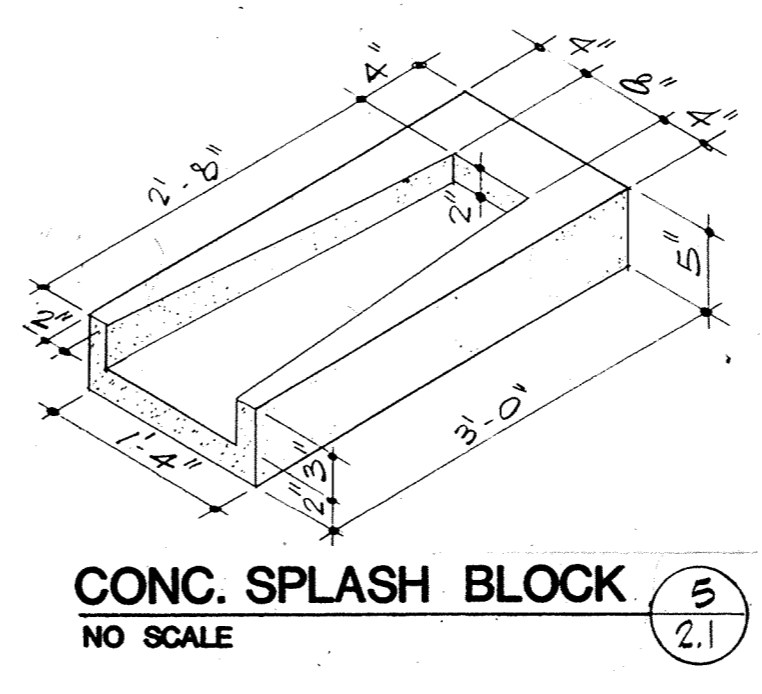
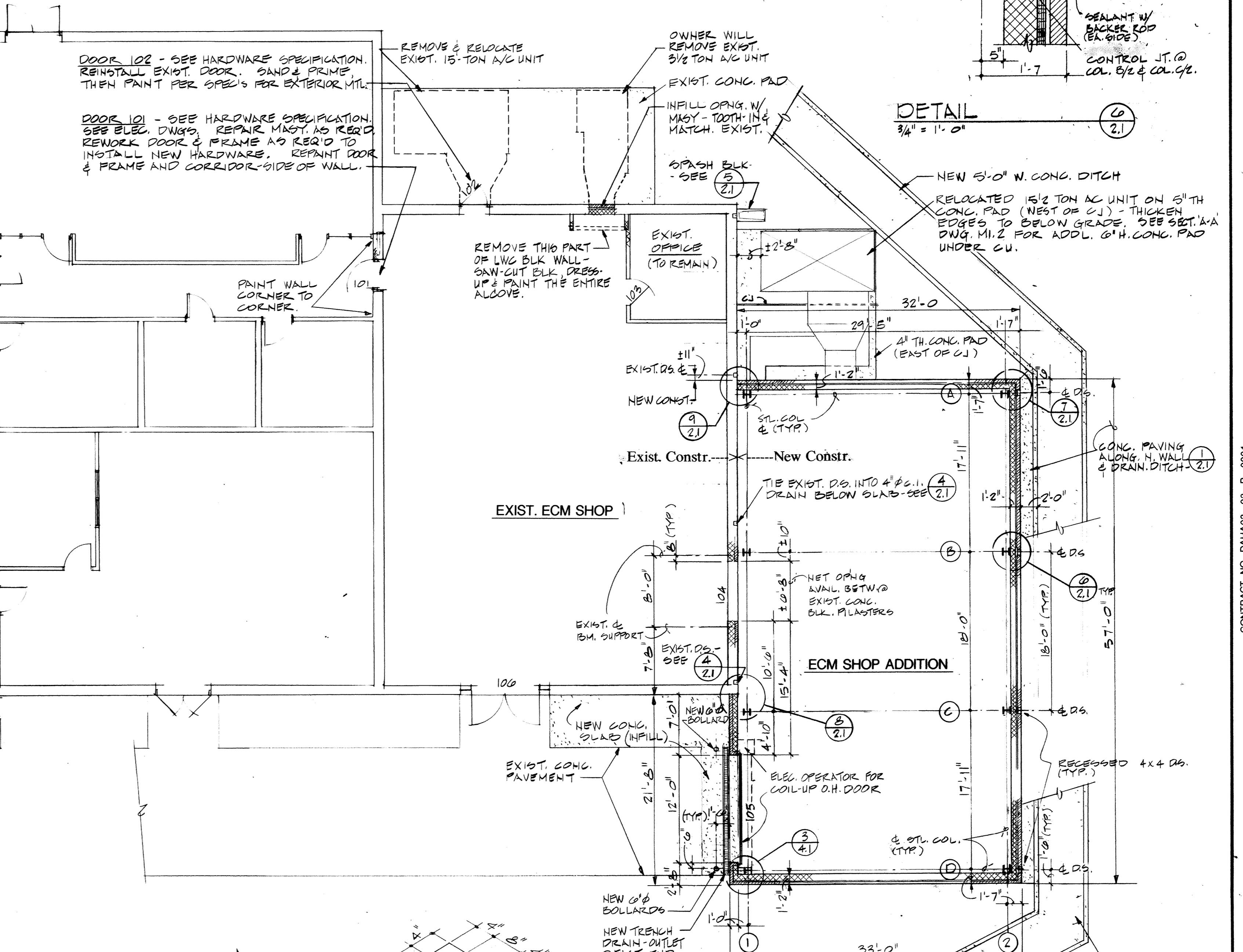
**DETAIL** 2  
 3/4" = 1'-0"



**DETAIL** 7  
 3/4" = 1'-0"

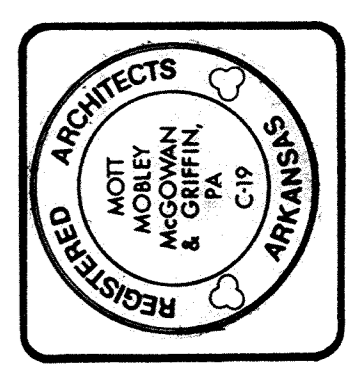


**DETAIL** 8  
 3/4" = 1'-0"



**CONC. SPLASH BLOCK** 5  
 NO SCALE  
 2.1

**MM MG**  
 Mott Mobley McGowan & Griffin, P.A.: Architects  
 302 North Sixth Street  
 Fort Smith, Arkansas 72901



PROJECT NO. HKR2929948  
**ADD./ ALTER. ECM POD SHOP**  
 AIR NATIONAL GUARD TRAINING FACILITY  
 MUNICIPAL AIRPORT - FT. SMITH, ARKANSAS

FLOOR PLAN -  
 (1/8" = 1'-0")  
 ADD./ ALTER.  
 & DETAILS

Revisions	
1440	Plan Number
7-30-93	Date
A2.1	Of