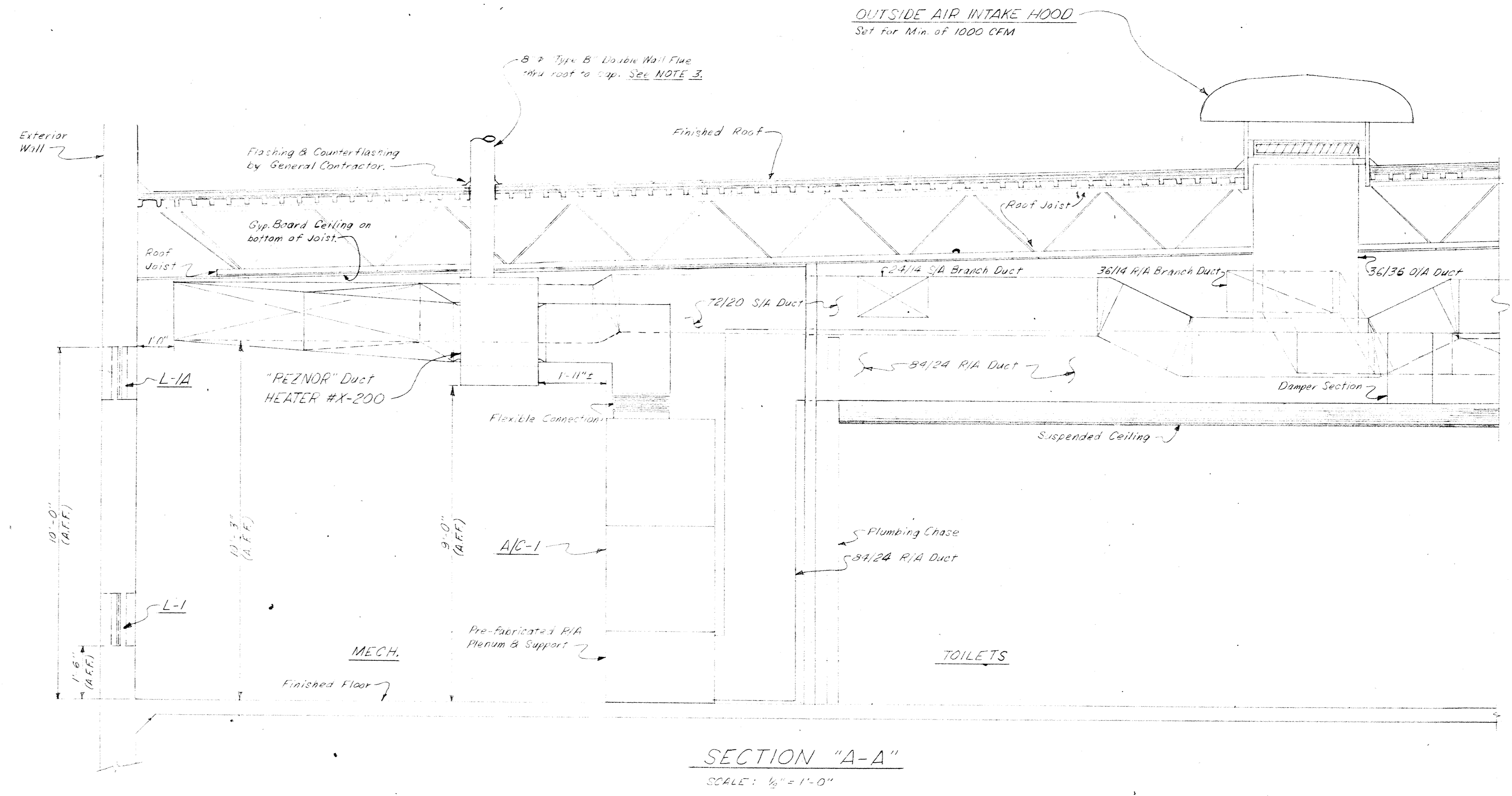
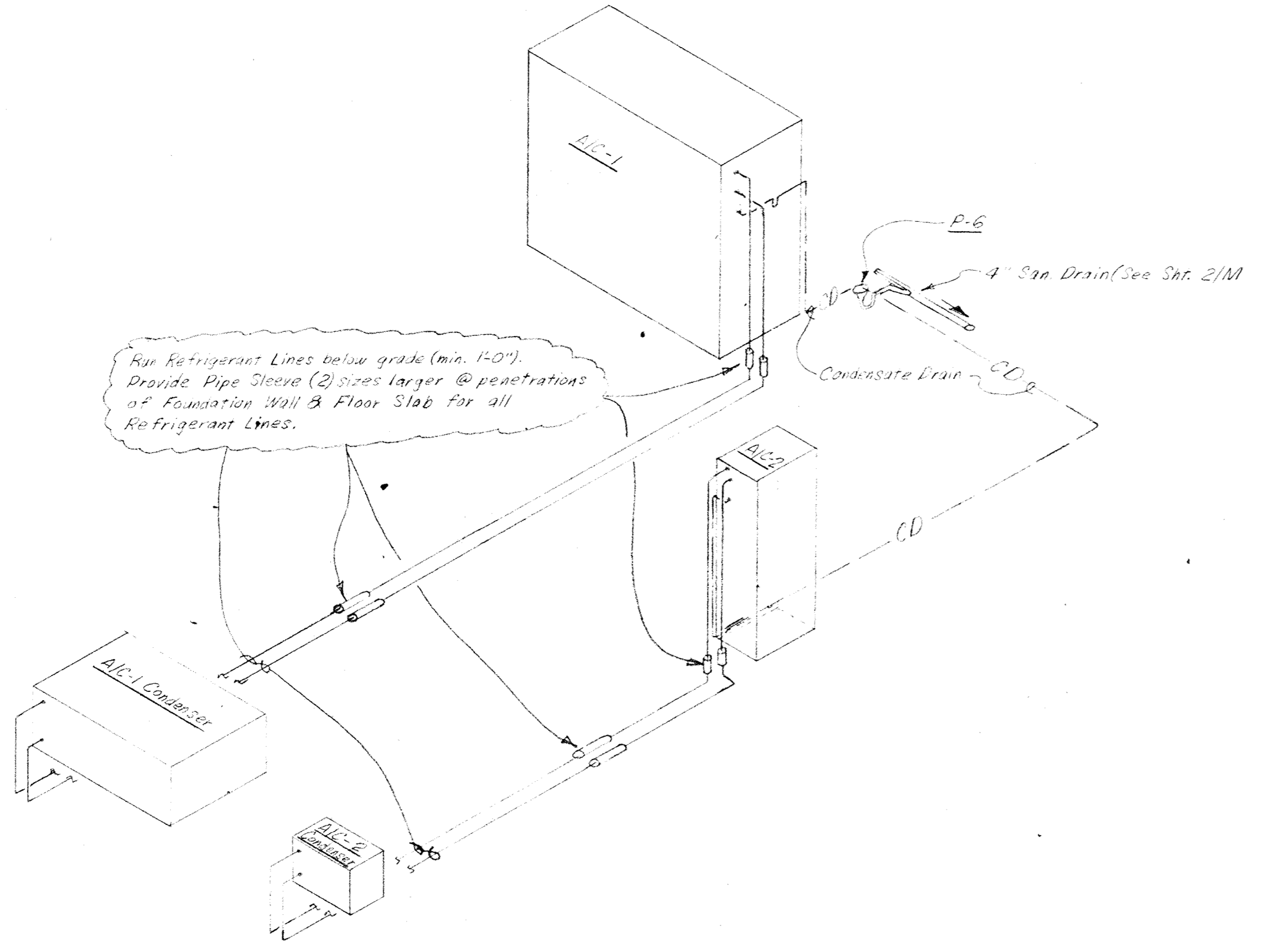


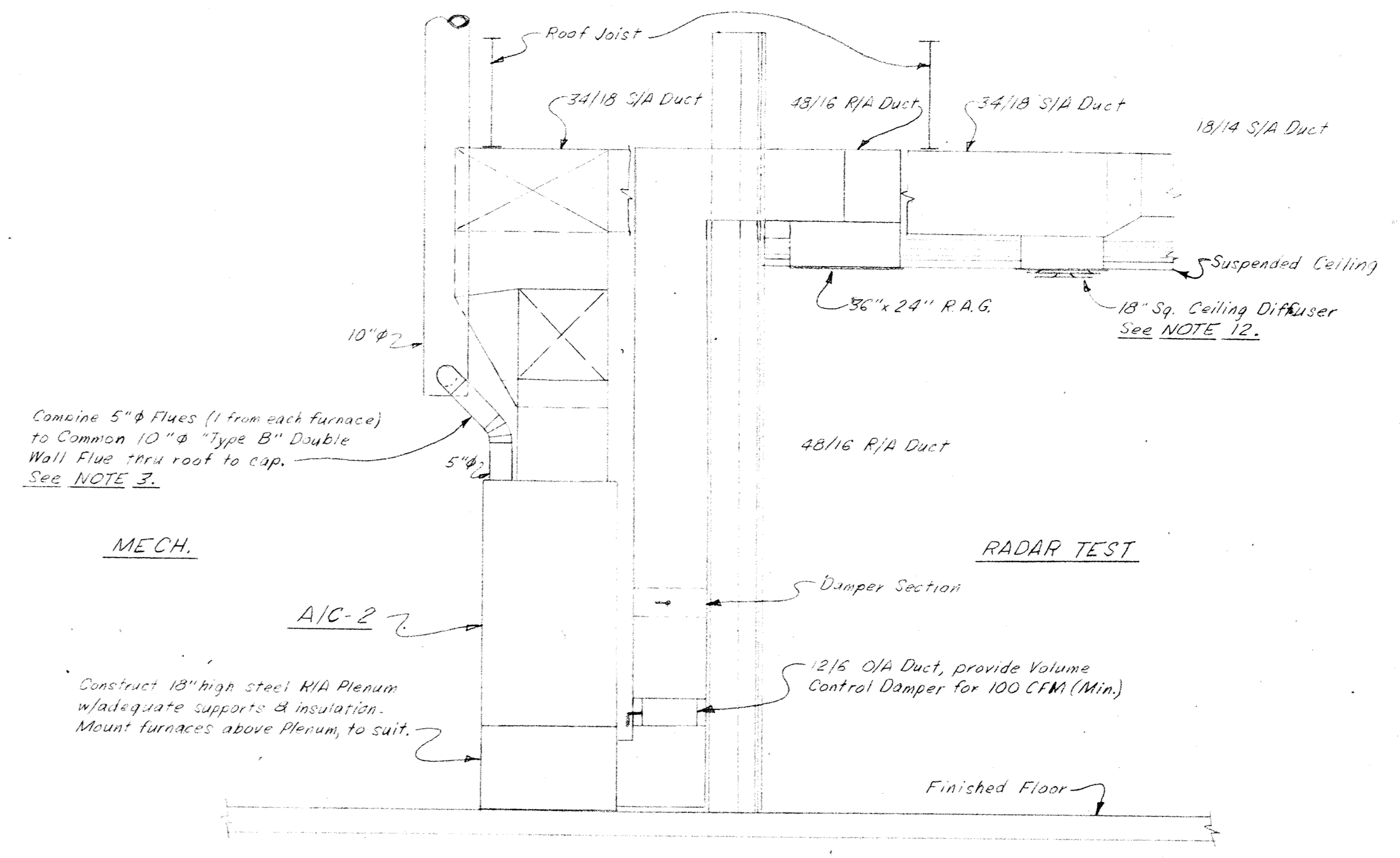
A/C-1 & 2 TEMPERATURE CONTROL SCHEMATIC
 -NO SCALE-



SECTION "A-A"
 SCALE: 1/8" = 1'-0"



A/C-1 & 2 REFRIGERANT PIPING SCHEMATIC
 -NO SCALE-



SECTION "B-B"
 SCALE: 1/8" = 1'-0"