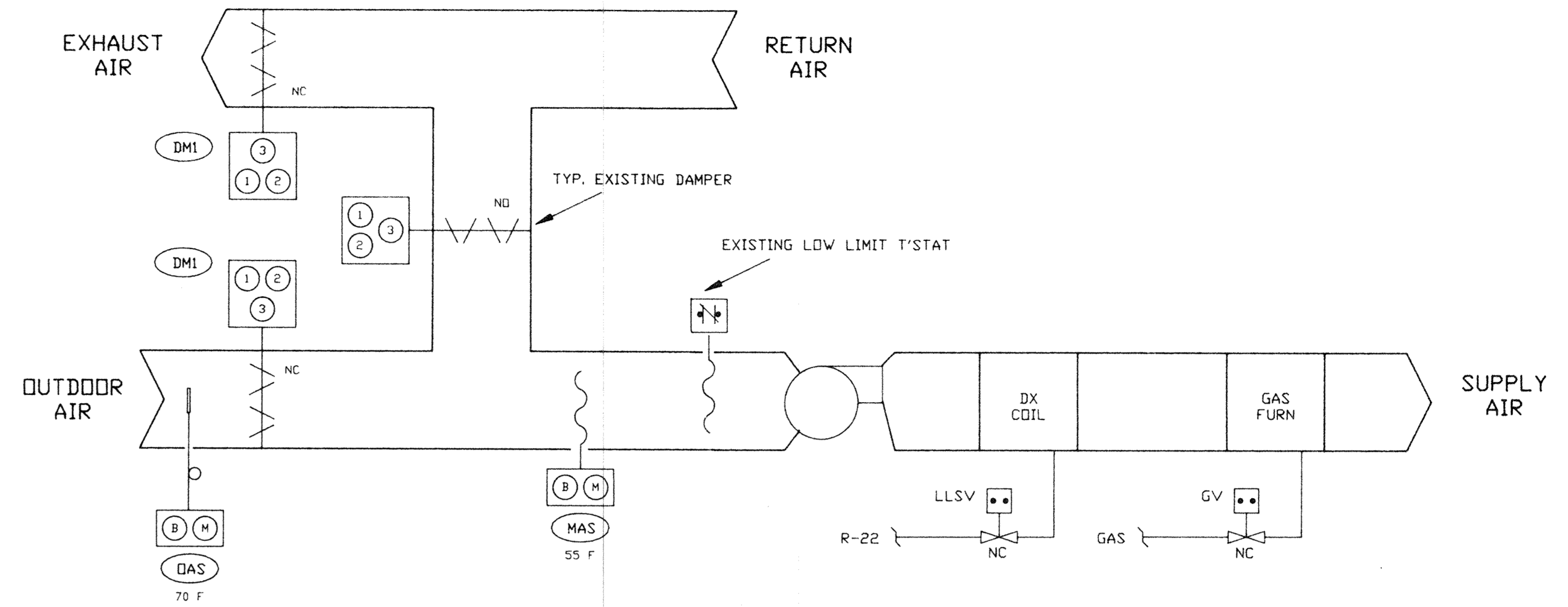
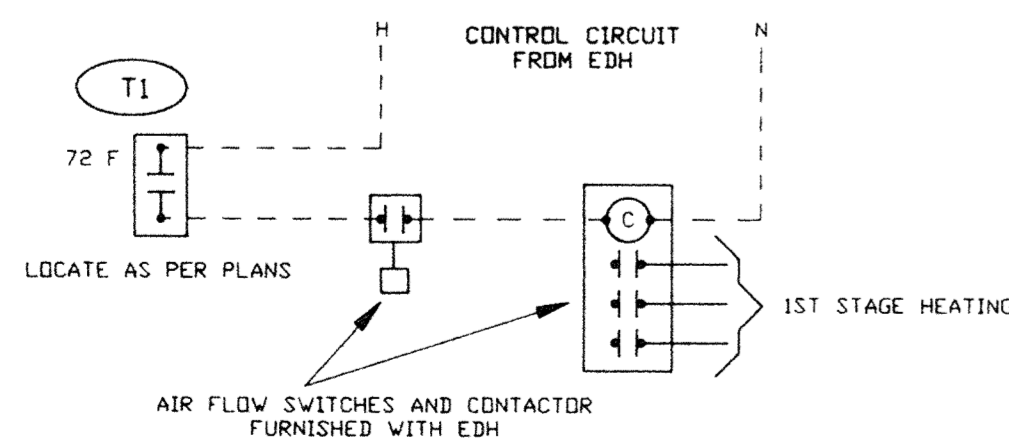


CONTROL PANEL CP-2

SPACE ELECTRIC DUCT HEATERS EDH-1 THRU 5

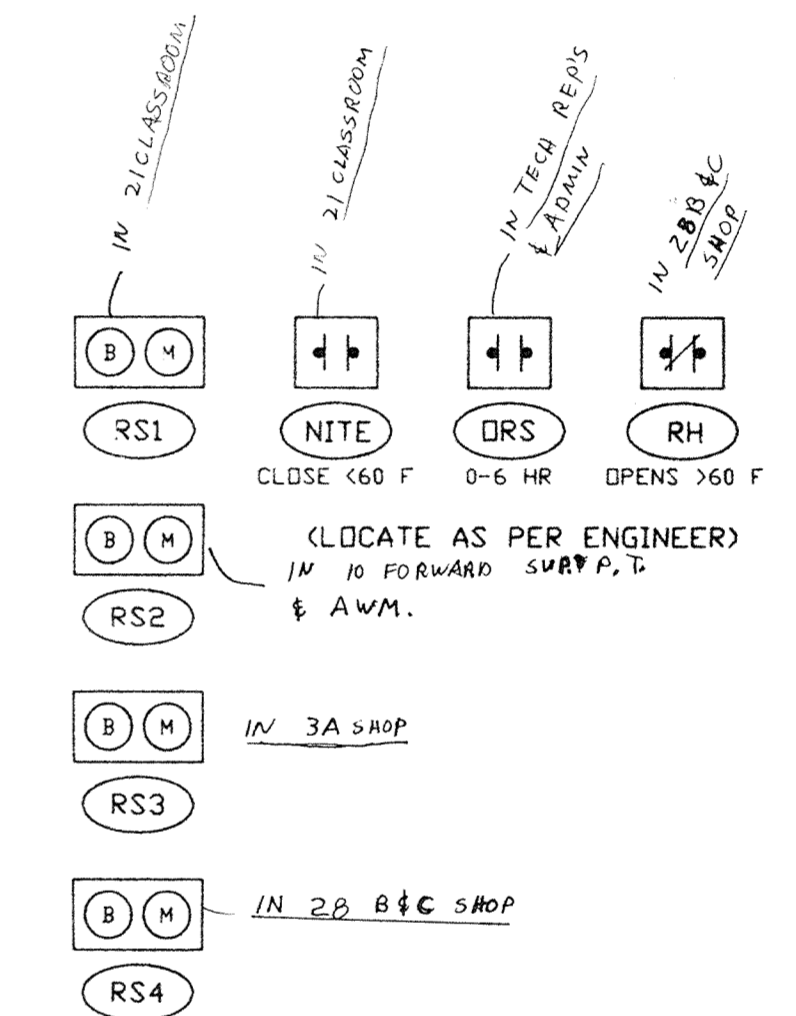


EXISTING AIR HANDLING UNIT #1

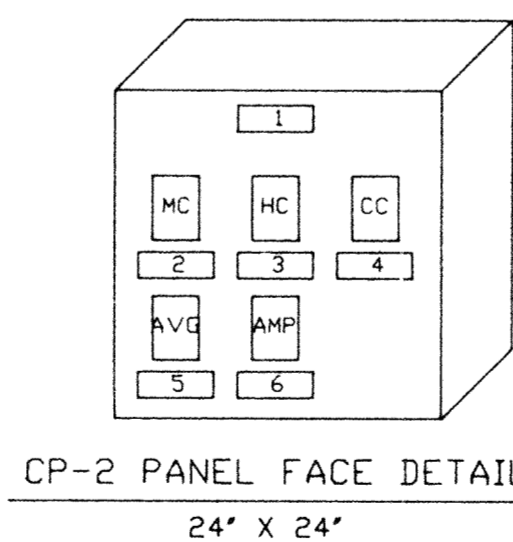
(NOTE 5)

EQUIPMENT LIST

CONTROL SYMBOL	QUAN	PRODUCT NUMBER	DESCRIPTION
RS1-4	4	QAA23	ROOM TEMP. SENSOR W/D SETPOINT
T1	5	134-1085	EDH THERMOSTAT
NITE	1	134-1086	NITE THERMOSTAT, BLANK
DRS	1	90007	MARKTIMER 0-6 HR SWITCH W/D 'HOLD'
RHS	1	W43A-14	PENN ROOM HUMIDISTAT, BLANK
DMI	3	FM-24SR	BELIMO DAMPER MOTOR, SPRING RETURN
OAS	1	QAM21	OUTDOOR AIR SENSOR
MAS	1	QAM21.2	MIXED AIR SENSOR
CP-2	1	567-222	CONTROL PANEL
MC	1	RWF61.3011-T122	MASTER CONTROLLER, FLUSH MTD.
CC	1	SEL61.2001	2-STAGE COOLING CONTROLLER, FLUSH MTD.
HC	1	SEL61.2001	2-STAGE HEATING CONTROLLER, FLUSH MTD.
AMP	1	RZM61.4001-T122(4)	AMPLIFIER, FLUSH MTD.
AVG	1	SEL61.1911	AVERAGING RELAY, FLUSH MTD.
DS	1		KNIFE DISCONNECT SWITCH
TC	1	3A690	7-DAY CLOCK, 7-DAY RESERVE, PARAGON
□	31	0525	BUCHANAN TERM. BLOCK
R1-R3	3		POTTER-BRUMFIELD RELAY, 120VAC
XFMR	1		120/24VAC TRANSFORMER, 200VA



NOTE: VERIFY WITH OWNER EXACT ROOMS THAT SENSORS, ETC, SHOULD BE INSTALLED BEFORE INSTALLING IN ROOMS NOTED.



- NAMETAGS (1' X 3')
- EXISTING AIR HANDLING UNIT #1
  - MASTER CONTROLLER
  - HEATING CONTROLLER
  - COOLING CONTROLLER
  - AVERAGING RELAY
  - AMPLIFIER

ELECTRIC DUCT HEATERS: ROOM THERMOSTATS CYCLE THEIR RESPECTIVE DUCT HEATERS. DUCT HEATERS ARE DE-ENERGIZED IF AIR CONDITIONING UNITS FAN IS OFF.

EXISTING AIR HANDLING UNIT #1 (MODIFY TEMPERATURE CONTROLS). 7-DAY TIME CLOCK OR 6 HOUR CLOCK OVER-RIDE TIME SWITCH LOCATED WHERE SHOWN ON THE MECHANICAL PLANS OPERATES AIR HANDLING UNIT. WHEN FAN STARTS, OUTSIDE AIR DAMPER OPENS TO MINIMUM POSITION. THE AVERAGE INPUT SIGNAL FROM 4 NON-ADJUSTABLE ROOM SENSORS SEQUENCES THE GAS FIRED DUCT HEATER WITH THE CONDENSING UNIT. REMOTE SETPOINT ADJUSTER IS LOCATED AT THE CONTROL PANEL IN THE MECHANICAL ROOM. WHEN OUTSIDE AIR TEMPERATURE IS BELOW 70 F, ROOM SENSORS THEN PROPORTION OUTSIDE, RETURN AND RELIEF AIR DAMPERS AND THE GAS FIRED DUCT HEATER IN SEQUENCE. MIXED AIR SENSOR PREVENTS AIR TEMPERATURE FROM FALLING BELOW 55 F. IF ROOM HUMIDISTAT SENSES RELATIVE HUMIDITY ABOVE 60%, OUTSIDE AIR DAMPER CLOSES TO MINIMUM POSITION AND ROOM SENSORS CYCLE THE CONDENSING UNIT FOR COOLING. NIGHT SETBACK THERMOSTAT OPERATES AIR HANDLING UNIT FAN IF SPACE TEMPERATURE FALLS BELOW 60 F. OUTSIDE AIR DAMPERS REMAIN CLOSED AND CONDENSING UNIT IS 'OFF' DURING NIGHT CYCLE. ROOM SENSORS CONTROL THE GAS FIRED DUCT HEATER. WHEN AIR HANDLING UNIT STOPS, OUTSIDE AIR DAMPER CLOSES AND CONDENSER UNIT AND DUCT HEATER ARE DE-ENERGIZED.

- NOTES:
- MIN. EMT 1/2"; MIN. WIRE NO. 16 THHN.
  - = FIELD CONTROL WIRING.
  - = TERMINAL BLOCK @ CONTROL PANEL.
  - CONTROL CONTRACTOR TO MOUNT/WIRE FACTORY FURNISHED OUTDOOR AIR AND HOT WATER RESET SENSORS (SHIELD FROM SUN).
  - REMOVE ANY CONTROLS, CONDUIT AND WIRE NOT USED OR REQUIRED FOR EXISTING AHU-1.
  - MOUNT FRAMED "AS-BUILTS" ON MECH. RM. WALL AT JOB COMPLETION.
  - FAP = FIRE ALARM PANEL.

303-E-1517-2		POWERS OF ARKANSAS	REVISIONS
DATE	ENG	PROJECT NO. FSM-40997	
5-27-89	MW	AVIONICS/ECH PDB/STORAGE	
		AIR NATIONAL GUARD	
		FT. SMITH, ARKANSAS	
DRW	CHK'D	TEMPERATURE CONTROL SYSTEM	
JMW	MW	EXISTING AHU-1 AND	
		ELECTRIC DUCT HEATERS	