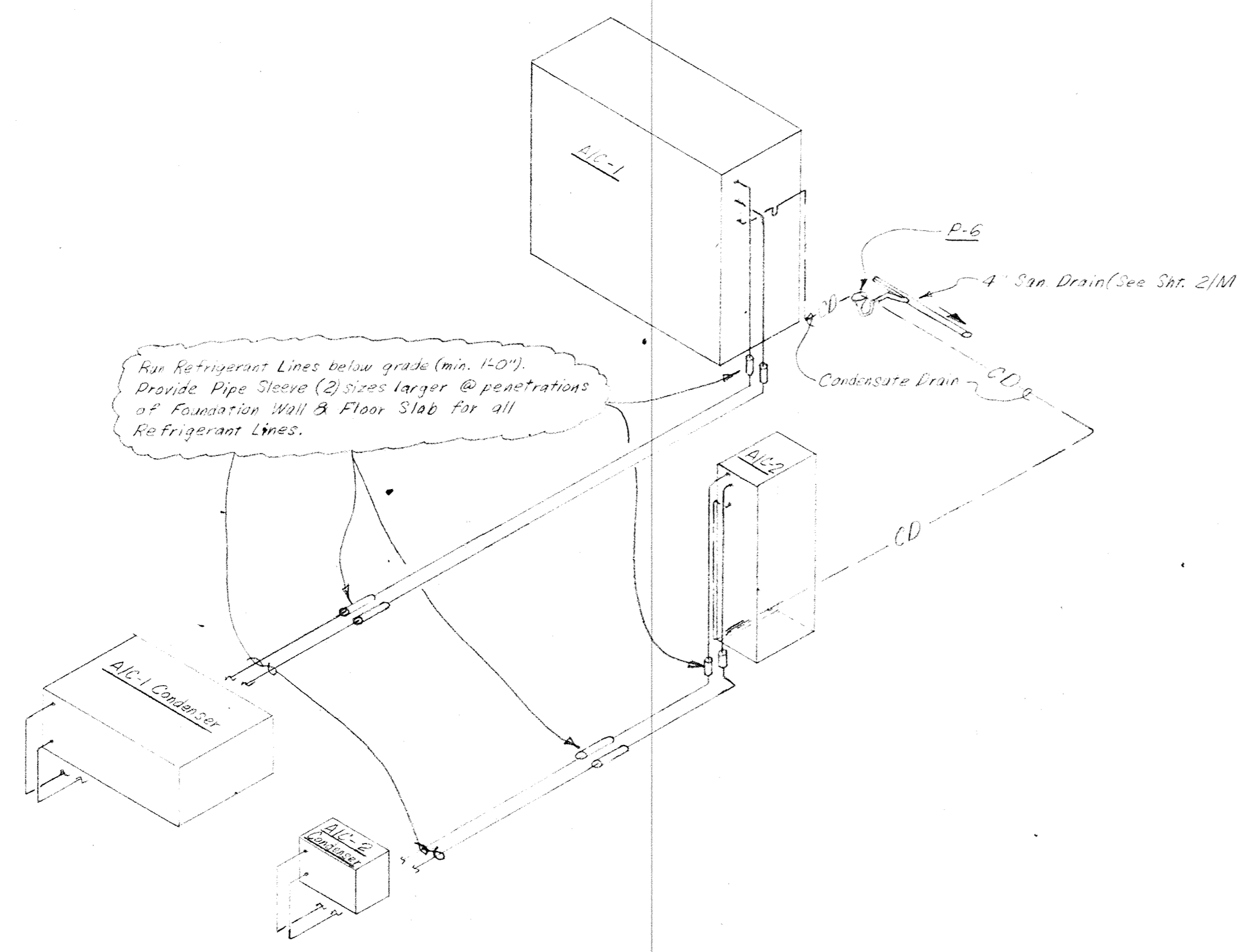
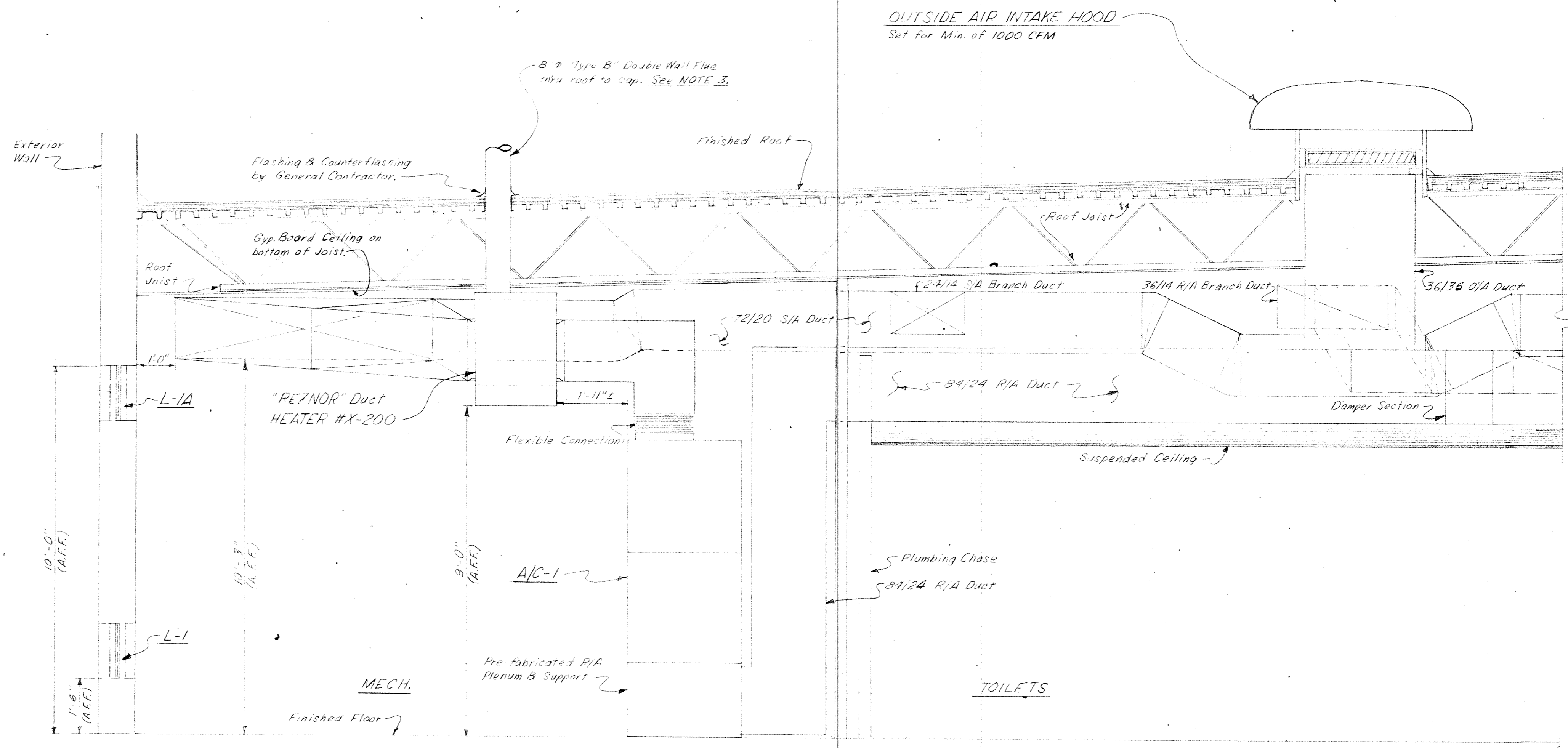


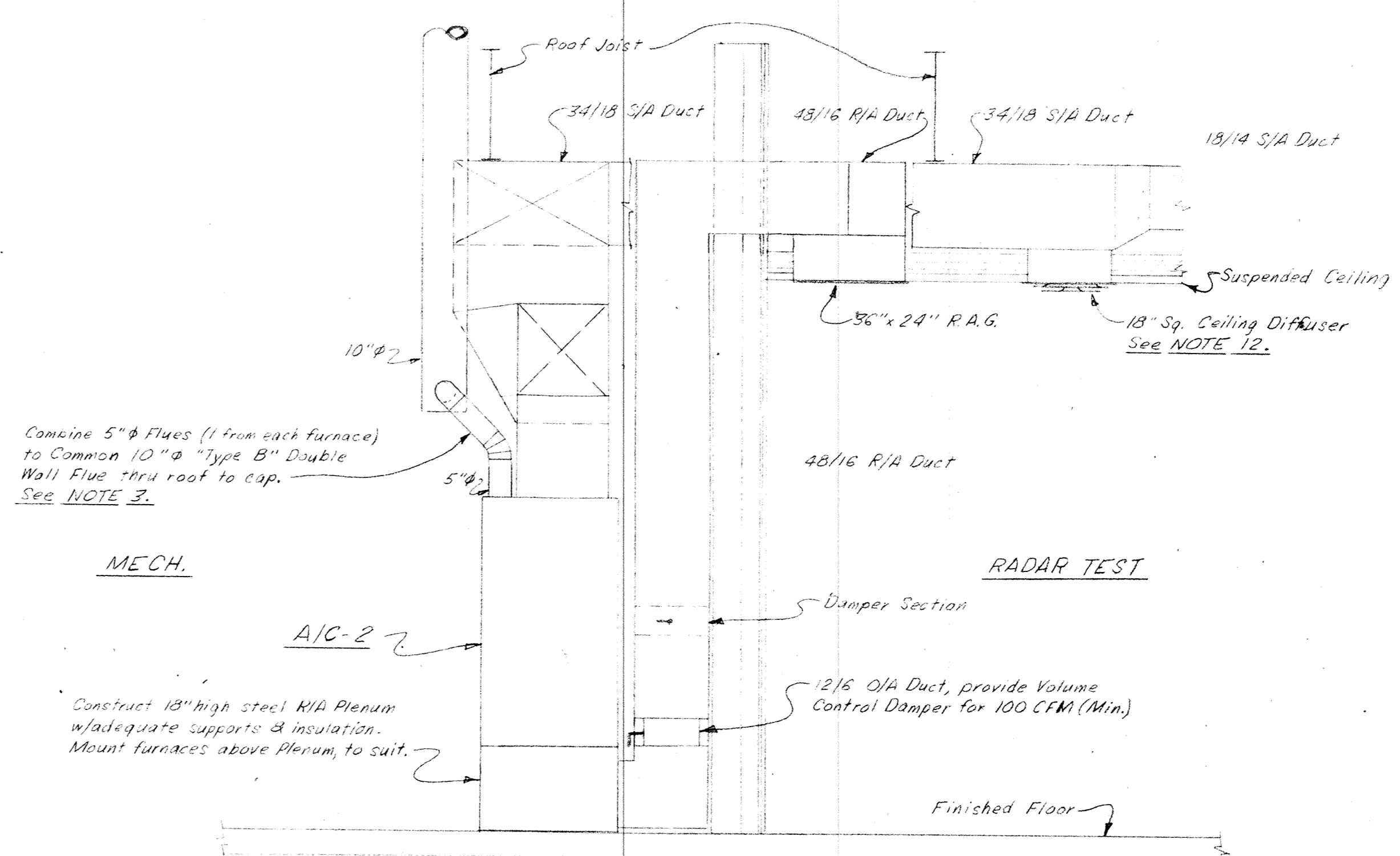
A/C-1 & 2 TEMPERATURE CONTROL SCHEMATIC  
 -NO SCALE-



A/C-1 & 2 REFRIGERANT PIPING SCHEMATIC  
 -NO SCALE-



SECTION "A-A"  
 SCALE: 1/2" = 1'-0"



SECTION "B-B"  
 SCALE: 1/2" = 1'-0"